

# INSTALLATION INSTRUCTIONS GAS DRYER

---

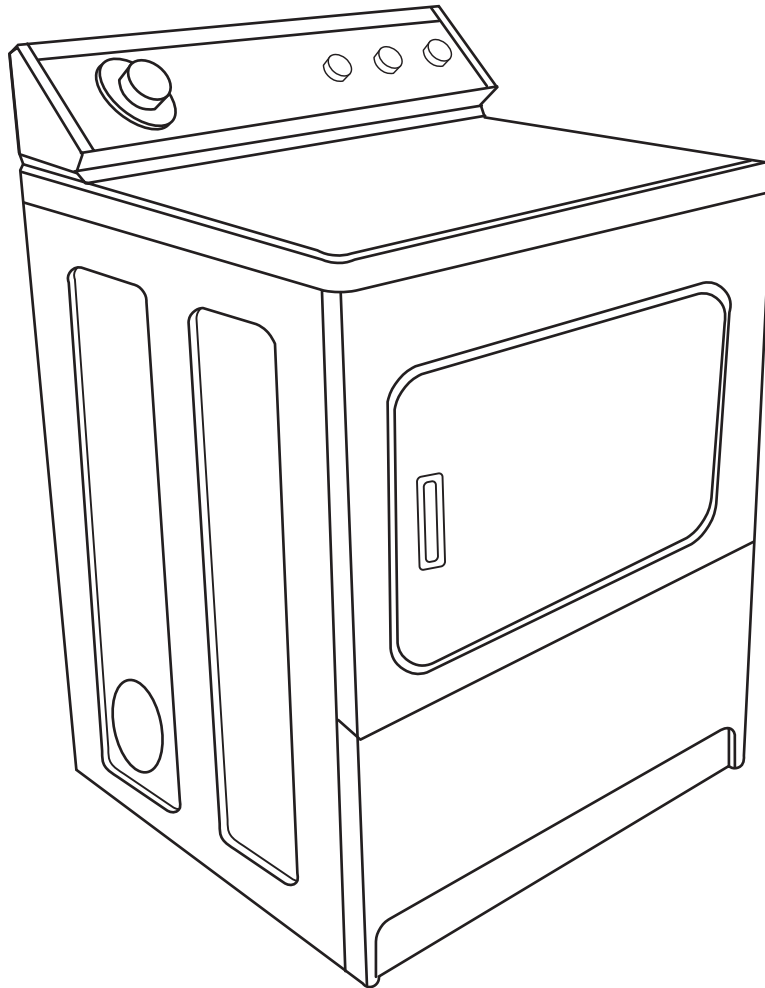
## INSTRUCCIONES DE INSTALACIÓN SECADORA A GAS

---

## INSTRUCTIONS D'INSTALLATION SECHE-LINGE A GAZ

---

Table of Contents.....	2
Índice.....	13
Table des matières.....	25



**Model/Modelos/Modèles**  
**3XWGD5705**

**IMPORTANT:** Save these instructions.  
**IMPORTANTE:** Guarde estas instrucciones.  
**IMPORTANT :** Conserver ces instructions.

# TABLE OF CONTENTS

<b>DRYER SAFETY</b> .....	2	<b>INSTALLATION INSTRUCTIONS - GAS DRYER</b> .....	9
<b>INSTALLATION REQUIREMENTS</b> .....	4	Install Ventwork.....	9
Tools and Parts.....	4	Prepare Dryer.....	9
Location Requirements.....	4	Level and Exhaust the Dryer.....	10
Electrical Requirements.....	6	Reverse Door Swing (Optional).....	10
Gas Requirements.....	6	Check Operation.....	11
Venting Requirements.....	7		

## DRYER SAFETY

### Your safety and the safety of others are very important.

We have provided many important safety messages in this manual and on your appliance. Always read and obey all safety messages.



This is the safety alert symbol.

This symbol alerts you to potential hazards that can kill or hurt you and others.

All safety messages will follow the safety alert symbol and either the word “DANGER” or “WARNING.”

These words mean:

**⚠ DANGER**

**You can be killed or seriously injured if you don't immediately follow instructions.**

**⚠ WARNING**

**You can be killed or seriously injured if you don't follow instructions.**

All safety messages will tell you what the potential hazard is, tell you how to reduce the chance of injury, and tell you what can happen if the instructions are not followed.

### FOR YOUR SAFETY

1. Do not use or store petrol or other flammable materials in this appliance or near this appliance.
2. Do not spray aerosols in the vicinity of this appliance while it is in operation.
3. Do not modify this appliance.



### **WARNING - “Risk of Fire”**

- Clothes dryer installation must be performed by a qualified installer.
- Install the clothes dryer according to the manufacturer’s instructions and local codes.
- Do not install a clothes dryer with flexible plastic venting materials. If flexible metal (foil type) duct is installed, it must be of a specific type identified by the appliance manufacturer as suitable for use with clothes dryers. Flexible venting materials are known to collapse, be easily crushed, and trap lint. These conditions will obstruct clothes dryer airflow and increase the risk of fire.
- To reduce the risk of severe injury or death, follow all installation instructions.
- Save these instructions.

**WARNING:** For your safety, the information in this manual must be followed to minimize the risk of fire or explosion, or to prevent property damage, personal injury, or death.

- Do not store or use petrol or other flammable vapors and liquids in the vicinity of this or any other appliance.
- **WHAT TO DO IF YOU SMELL GAS:**
  - Do not try to light any appliance.
  - Do not touch any electrical switch; do not use any phone in your building.
  - Clear the room, building, or area of all occupants.
  - Immediately call your gas supplier from a neighbor's phone. Follow the gas supplier's instructions.
  - If you cannot reach your gas supplier, call the fire department.
- Installation and service must be performed by a qualified installer, service agency, or the gas supplier.

#### IMPORTANT SAFETY INSTRUCTIONS

**WARNING:** To reduce the risk of fire, electric shock, or injury to persons when using the dryer, follow basic precautions, including the following:

- Read all instructions before using the dryer.
- Do not place items exposed to cooking oils in your dryer. Items contaminated with cooking oils may contribute to a chemical reaction that could cause a load to catch fire.
- Do not dry articles that have been previously cleaned in, washed in, soaked in, or spotted with petrol, dry-cleaning solvents, or other flammable or explosive substances as they give off vapors that could ignite or explode.
- Do not allow children to play on or in the dryer. Close supervision of children is necessary when the dryer is used near children.
- Before the dryer is removed from service or discarded, remove the door to the drying compartment.
- Do not reach into the dryer if the drum is moving.
- Do not install or store the dryer where it will be exposed to the weather.
- Do not tamper with controls.
- Do not repair or replace any part of the dryer or attempt any servicing unless specifically recommended in this Use and Care Guide or in published user-repair instructions that you understand and have the skills to carry out.
- Do not use fabric softeners or products to eliminate static unless recommended by the manufacturer of the fabric softener or product.
- Articles such as foam rubber (latex foam), shower caps, water proof textiles, rubber backed articles and clothes, pillows fitted with foam rubber pads should be dried on a clothesline.
- Clean lint screen before or after each load.
- Keep area around the exhaust opening and adjacent surrounding areas free from the accumulation of lint, dust, and dirt.
- The interior of the dryer and exhaust vent should be cleaned periodically by qualified service personnel.
- See installation instructions for grounding requirements.

**SAVE THESE INSTRUCTIONS**

**WARNING:** Gas leaks cannot always be detected by smell.

Gas suppliers recommend that you use a gas detector approved by UL or CSA.

For more information, contact your gas supplier.

If a gas leak is detected, follow the "What to do if you smell gas" instructions.

# INSTALLATION REQUIREMENTS

## Tools and Parts

Gather the required tools and parts before starting installation. Read and follow the instructions provided with any tools listed here.

### Tools needed

- Flat-blade screwdriver
- Phillips screwdriver
- Adjustable wrench that opens to 25 mm (1")
- 25 mm (1") Hex-head socket wrench
- Level
- 200 or 300 mm (8" or 10") pipe wrench
- 6.35 mm (1/4") socket wrench or 6.35 mm (1/4") nut driver
- Utility knife
- Vent clamps
- Pipe-joint compound resistant to LP gas
- Sealing compound gun and compound (for installing new exhaust vent)
- Tin snip

### Parts supplied

Remove parts bag from dryer drum. Check that all parts were included.

- 4 leveling legs
- 4 gas inlet pipe adapters

### Parts needed

Check local codes and gas supplier, and read electrical, gas and venting requirements before purchasing parts.

Gas supply line must have:

- Shutoff valve

Rigid gas supply line must be:

- Minimum 12.5 mm (1/2") ID pipe

Flexible gas supply hose must be:

- Minimum 10 mm (3/8") ID approved flexible hose

### L.P. gas conversion:

Gas conversion kit, part number 279918, available for purchase from your dealer. Full instructions are supplied with the kit. Conversion must be made by a competent technician.

## Location Requirements

### **WARNING**



#### Explosion Hazard

**Keep flammable materials and vapors, such as petrol, away from dryer.**

**Place dryer at least 460 mm (18 inches) above the floor for a garage installation.**

**Failure to do so can result in death, explosion, or fire.**

**IMPORTANT:** Observe all governing codes and ordinances.

- Check code requirements: Some codes limit or do not permit installation of clothes dryers in garages, closets, or sleeping quarters. Contact your local building inspector.
- Make sure that lower edges of the cabinet, plus the back and bottom sides of the dryer, are free of obstructions to permit adequate clearance of air openings for combustion air. See "Recessed Area and Closet Installation Instructions" for minimum spacing requirements.

**NOTE:** The dryer must not be installed in an area where it will be exposed to water and/or weather. If room temperature is below 7° C (45° F), automatic cycles may not shut off.

- Maximum slope under entire dryer should not be more than 25 mm (1"). If slope is greater than 25 mm (1"), install Extended Dryer Feet Kit, Part No. 279810. Clothes may not tumble properly and automatic sensor cycles may not operate correctly if dryer is not level. Floor must be able to support dryer weight of 79.4 kg (175 lbs).

## Recessed Area and Closet Installation Instructions

This dryer must not be installed behind a lockable door, a sliding door, or a door with a hinge on the opposite side to that of the dryer.

This dryer may be installed in a recessed area or closet. For recessed area and closet installations, minimum clearances can be found on the serial tag on the dryer.

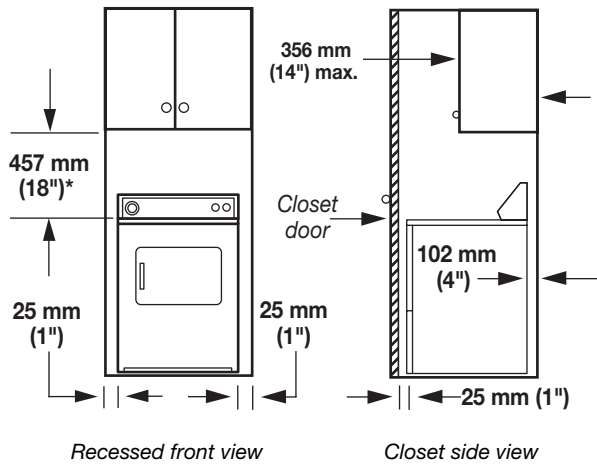
The installation spacing is in millimeters (inches) and is the minimum allowable. Additional spacing should be considered for ease of installation, servicing, and compliance with local codes and ordinances.

If closet door is installed, the minimum unobstructed air opening in the top and bottom is required. Louvered doors with equivalent air openings are acceptable.

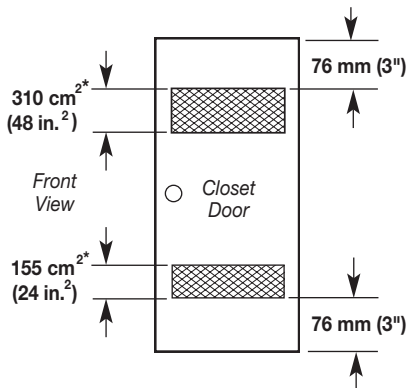
The dryer must be exhausted outdoors.

No other fuel-burning appliance may be installed in the same closet as the dryer.

### Minimum Installation Clearances



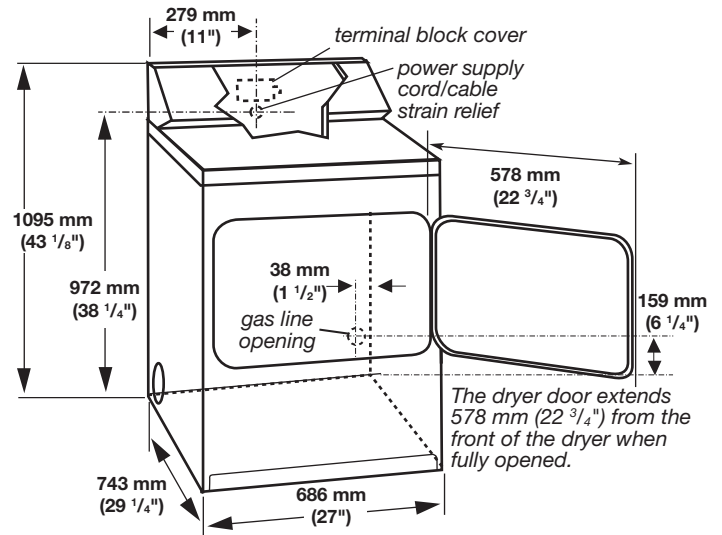
\*Additional clearances for wall, door, and floor moldings may be required or if external exhaust elbow is used.



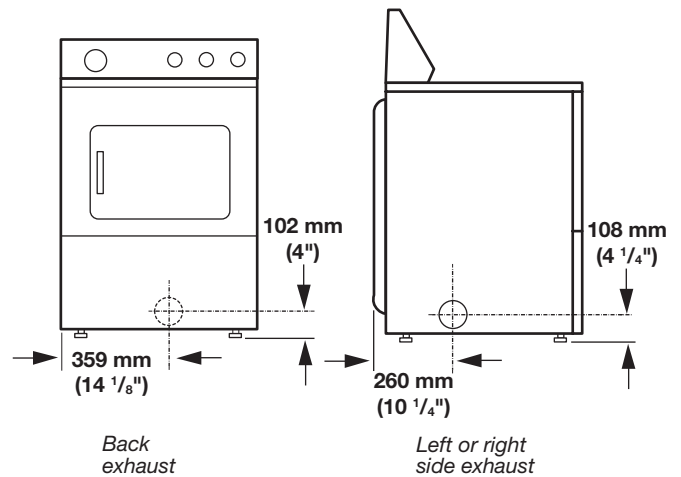
\*Opening is the minimum for a closet door. Louvered doors with equivalent air openings are acceptable.

## Product Dimensions

Dimensions shown with feet extended 25 mm (1") from bottom of dryer.



### Exhaust dimensions



## Electrical Requirements

**IMPORTANT:** Observe all governing codes and ordinances.

This dryer is supplied/fitted with an electricity supply cord and plug. It should be connected to electricity supply socket at the voltage shown on the rating plate. The minimum supply fuse capacity should be 5A. The dryer must be positioned so that the plug is accessible. If the fitted plug is not used, the electrical connection must be carried out by a competent electrician in accordance with local or national codes.

If the supply cord is damaged, it must be replaced with a specially terminated cord by an authorized service agent or a similarly competent person.

Do not use an adapter.

Do not use an extension cord.

### **⚠ WARNING**



#### **Electric Shock Hazard**

**This is a 3-wire appliance which must be earthed.**

**Do not earth to a gas pipe.**

**Do not change the power supply cord plug. If it does not fit the outlet, have a proper outlet installed by a qualified electrician.**

**Do not use an extension cord with this dryer.**

**Failure to follow these instructions could result in death, fire, or serious injury.**

If codes permit and an additional earth bond wire is used, it is recommended that a qualified electrician determine that the earth bond, path is adequate.

**NOTE:** In accordance with the European EMC directive (89/336/EEC), the maximum electricity supply system impedance to which the electric dryer should be connected is declared to be 0.29 Ohm + j0.180 Ohm.

## Gas Requirements

### **⚠ WARNING**



#### **Explosion Hazard**

**Connect this dryer to a regulated gas supply. Supply pressure must be in accordance with the Technical Specifications (see last page).**

**Install a shut-off valve.**

**Securely tighten all gas connections.**

**If connected to LP, have a qualified person make sure gas pressure is correct.**

**Failure to do so can result in death, explosion, or fire.**

#### **OBSERVE ALL GOVERNING CODES AND ORDINANCES.**

##### **Gas supply:**

Check that dryer is equipped with the correct burner for the particular type of gas supply. Burner information will be found on the model/serial rating plate in the door well of the dryer. If this information does not agree with the type of gas available, see your dealer.

##### **Natural Gas:**

This dryer is factory adjusted for use with NATURAL GAS (G20), and no further adjustment should be required at installation.

##### **L.P. Gas:**

This dryer is also certified for use with L.P. (propane or butane) gases with appropriate conversion. No attempt shall be made to convert the appliance from the gas specified on the model/serial rating plate for use with a different gas without consulting the serving gas supplier.

Conversion must be done by a competent service technician.

Gas conversion kit, part number 279918, is available for purchase from your dealer. Full instructions are supplied with the kit.

## Supply line requirements

Provide a rigid gas supply line to the dryer location. It should be minimum 12.5 mm (1/2") ID. When acceptable to the gas supplier and local codes, 10 mm (3/8") ID rigid supply line may be used for lengths under 6.1 m (20'). Pipe-joint compounds resistant to the action of L.P gas must be used.

Gas connection to the dryer itself should be made by means of a flexible gas hose suitable for the appliance and gas category in accordance with national installation regulations. If in doubt, contact the gas supplier. It should be minimum 10 mm (3/8") ID.

A means of restraint should be used between the appliance and the wall to prevent straining of the rigid gas supply when the appliance is moved. An appropriate length of chain and a wall hook is recommended.

The dryer gas inlet connection is a 10 mm (3/8") NPT thread. An adapter is supplied for conversion to standard ISO.228-1 thread 10 mm (3/8") BSP).

Check for leaks by using an approved noncorrosive leak detection solution. Bubbles will show a leak. Correct any leak found. A pressure measurement tapping is provided on the gas valve within the dryer, accessible after removal of the lower front panel.

The dryer must be disconnected from the gas supply piping system during any pressure testing of that system.

## Venting Requirements

### **WARNING**



#### **Fire Hazard**

**Use a heavy metal vent.**

**Do not use a plastic vent.**

**Do not use a metal foil vent.**

**Failure to follow these instructions can result in death or fire.**

**WARNING:** To reduce the risk of re, this dryer **MUST BE EXHAUSTED OUTDOORS.**

**IMPORTANT:** Observe all governing codes and ordinances.

- The dryer vent must not be discharged into any gas vent, wall, ceiling, attic, crawlspace, or a flue or chimney which is used for existing fumes from appliance burning gas or other fuels, or a concealed space of a building, or any other vent used for venting.
- Do not use an exhaust hood with a magnetic latch.
- Do not install flexible metal vent in enclosed walls, ceilings, or floors.
- 102 mm (4") heavy metal vent and clamps must be used.
- Use clamps to seal all joints. Vent must not be connected or secured with screws or other fastening devices which extend into the interior of the vent and catch lint. Do not use duct tape.

Use a heavy metal vent. Do not use plastic or metal foil vent.

Only rigid or flexible metal vent shall be used for exhausting. Rigid metal vent is recommended to prevent crushing and kinking.

Flexible metal vent must be fully extended and supported when the dryer is in its final position. Remove excess flexible metal vent to avoid sagging and kinking that may result in reduced air flow and poor performance.

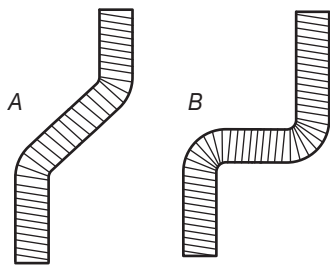
The total length of flexible metal vent should not exceed 2.4 m (7 3/4 ft).

An exhaust hood should cap the vent to prevent rodents and insects from entering the home or business.

Exhaust hood must be at least 305 mm (12") from the ground or any object that may be in the path of the exhaust (such as flowers, rocks, or bushes).

If using an existing vent system, clean lint from the entire length of the system and make sure exhaust hood is not plugged with lint. Replace any plastic or metal foil vent with rigid metal or flexible metal vent.

Plan installation to use the fewest number of elbows and turns. Avoid making 90° turns.



Exhaust Air Flow  
A. Better  
B. Good

Allow as much room as possible when using elbows or making turns. Bend vent gradually to avoid kinking.

The vent can be routed up, down, left, right, behind the dryer or straight out the back of the dryer.

Service check: With the dryer running, dynamic pressure in any exhaust system used must not exceed 15.2 mm (0.6") in water column, measured with an incline manometer at the point that the exhaust vent connects to the dryer.

The exhaust outlet is located at the center of the rear of the dryer.

The exhaust vent must not be connected or secured with screws or other fastening devices that extend into the interior of the duct and catch lint. Do not use duct tape.

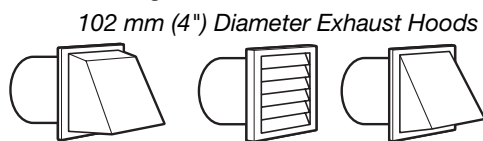
The design of the flue system should ensure that any condensate formed when operating the appliance is either retained or subsequently evaporated or discharged. Following these installation instructions should adequately meet this requirement.

Gas dryers should only be installed in a room if the room meets the appropriate ventilation requirements specified in the national installation regulations. Make sure the room containing the dryer has an adequate air supply for gas combustion and drying operation. A window or equivalent means of ventilation must be opened in the room when the dryer is in use (an equivalent form of opening includes an adjustable louver, hinged panel, or other means of ventilation that opens directly to outside air.)

## Vent System Length

Maximum length of vent system depends upon the type of vent used, number of elbows and type of exhaust hood. The maximum length for both rigid and flexible vent is shown in the chart.

### Maximum Vent Length



### Rigid Metal Vent

No. of 90° turns	Box Hood and Louvered Style	Angled Hood Style
0	15.8 m (52 ft.)	13.4 m (44 ft.)
1	13.4 m (44 ft.)	11.0 m (36 ft.)
2	11.0 m (36 ft.)	8.5 m (28 ft.)
3	8.2 m (27 ft.)	6.4 m (21 ft.)
4	6.1 m (20 ft.)	4.3 m (14 ft.)

For vent systems not covered by the vent specification chart (such as multiple unit hookups, plenums, and power-assist fans), see Whirlpool Service Manual, "Exhausting Whirlpool Dryers," Part No. LIT603197, available from your Whirlpool parts distributor.

If dryer is installed in a confined area, such as a bedroom, bathroom, or closet, provision must be made for enough air for combustion and ventilation. (Check governing codes and ordinances.) See "Recessed Area and Closet Installation Instructions" in the "Location Requirements" section.

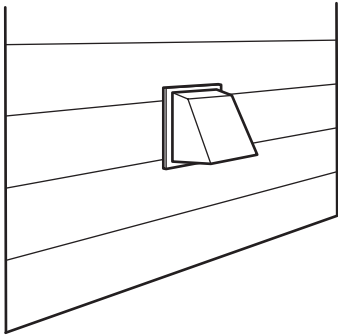
A 102 mm (4") outlet hood is preferred. However, a 64 mm (2 1/2") outlet exhaust hood may be used. A 64 mm (2 1/2") outlet creates greater back pressure than other hood types. For permanent installation, a stationary vent system is required.



# INSTALLATION INSTRUCTIONS - GAS DRYER

## Install Ventwork

1. Install exhaust hood. Use sealing compound to seal exterior wall opening around exhaust hood.



2. Connect exhaust vent to hood. (Exhaust vent MUST fit inside hood.) Secure vent to hood with a 102 mm (4") clamp.
3. Run exhaust vent to dryer location. Use the straightest path possible. Avoid 90° turns. Use 102 mm (4") clamps to secure vent pieces. Tin snips may be needed to cut vent to required length.

## Prepare Dryer

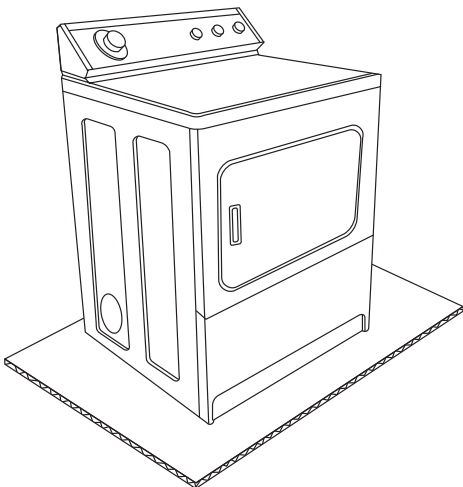
### **⚠ WARNING**

#### **Excessive Weight Hazard**

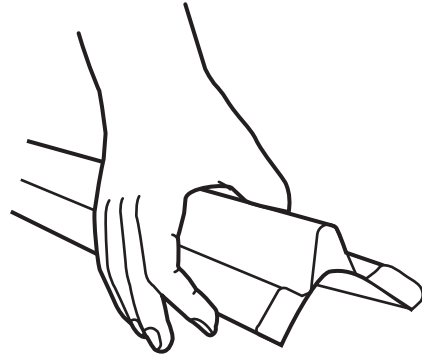
**Use two or more people to move and install dryer.**

**Failure to do so can result in back or other injury.**

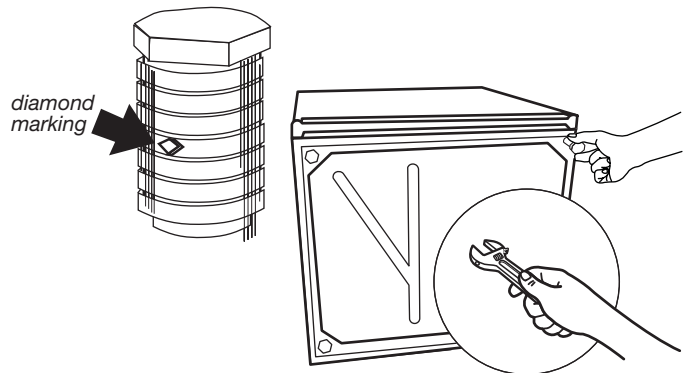
1. Remove tape from dryer cabinet. Open dryer door and remove tape from dryer drum. (Not all dryer drums are taped.) Remove drying rack, if included. Turn dryer drum counterclockwise to make sure all tape was removed. Wipe drum with damp cloth to remove any dust.



2. Take two cardboard corners from dryer carton and place them on floor in back of dryer. Firmly grasp body of dryer and gently lay it on its back on the cardboard corners.



3. Start to screw legs into holes by hand. Use an adjustable wrench or 25 mm (1") hex-head socket wrench to finish turning legs until you reach the ridge with the diamond marking.



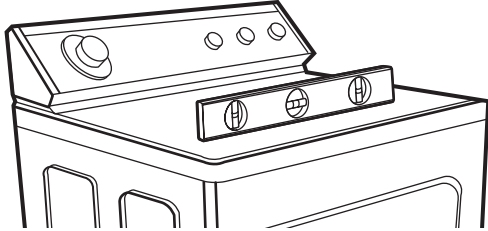
4. Stand dryer up on cardboard or hardboard.

## Level and Exhaust the Dryer

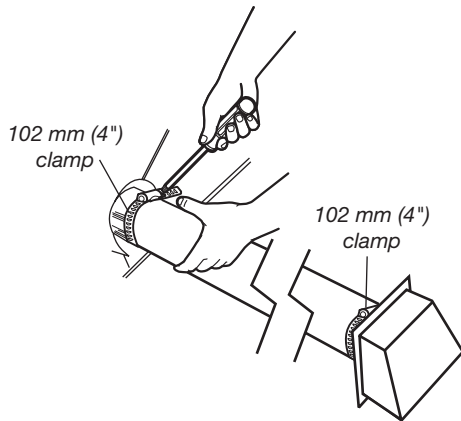
Dryer must be level to reduce noise and assure proper performance.

Slide dryer onto cardboard or hardboard before moving across floor to prevent floor damage.

1. Move dryer close to its permanent location. Leave enough room to connect exhaust vent. Remove cardboard or hardboard from under dryer.
2. Check levelness of dryer by placing a level on top of dryer, first side to side, then front to back. If dryer is not level, adjust dryer legs up or down.



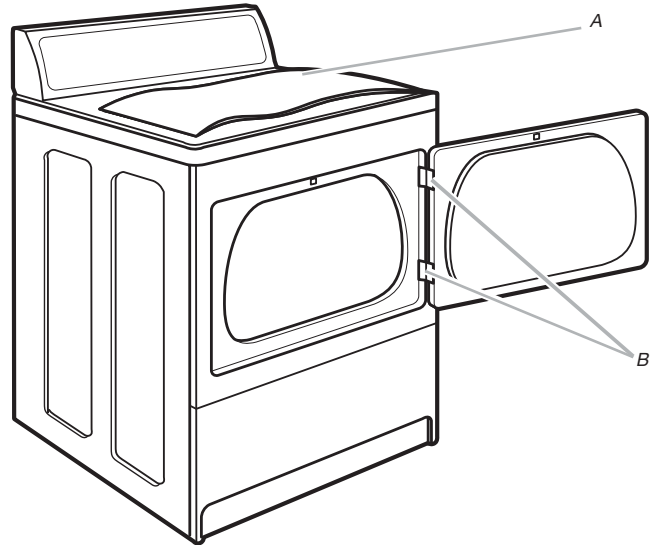
3. If legs are not long enough to level dryer, order Extended Dryer Feet Kit, Part No. 279810 (sold two legs per kit), from your dealer.
4. Connect exhaust vent to exhaust outlet in dryer. The exhaust vent must fit over the dryer exhaust outlet and inside the exhaust hood vent. Use 102 mm (4") vent clamps to seal all joints and to secure exhaust vent to dryer exhaust outlet.



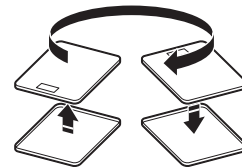
5. Move dryer into final position.

## Reverse Door Swing (Optional)

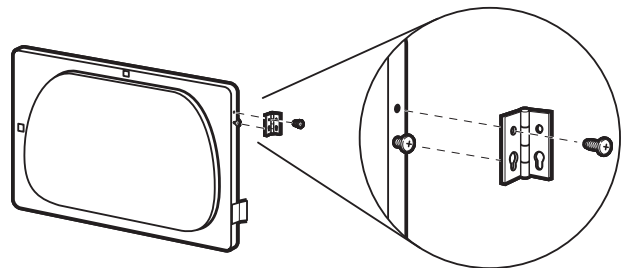
You can change your door swing from a right-side opening to a left-side opening, if desired.



1. Place towel (A) on top of dryer to protect surface.
2. Open dryer door. Remove bottom screws from cabinet side of hinges (B). Loosen (do not remove) top screws from cabinet side of hinges.
3. Lift door until top screws in cabinet are in large part of hinge slot. Pull door forward off screws. Set door (handle side up) on top of dryer. Remove top screws from cabinet.
4. Remove screws attaching hinges to door.
5. Remove screws at top, bottom, and side of door (5 screws). Holding door over towel on dryer, grasp sides of outer door and gently lift to separate it from inner door. Do not pry apart with putty knife. Do not pull on door seal or plastic door catch.
6. Be certain to keep cardboard spacer centered between doors. Reattach outer door panel to inner door panel so handle is on the side where hinges were just removed.

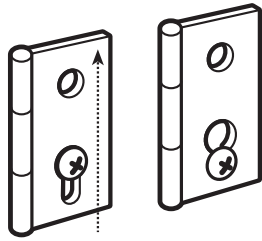


7. Attach door hinges to dryer door so that the larger hole is at the bottom of the hinge.



8. Remove the 4 screws that attach 2 plugs on the left side. Attach plugs to right side using the same 4 screws.

9. Insert screws into bottom holes on left side of cabinet. Tighten screws halfway. Position door so large end of door hinge slot is over screws. Slide door up so screws are in bottom of slots. Tighten screws. Insert and tighten top screws in hinges.



10. Close door and check that door strike aligns with door catch. If it is needed, slide door catch left or right within slot to adjust alignment.

### Check Operation

1. Check that you:
  - Did not skip any steps.
  - Installed all parts.
  - Properly installed dryer legs.
  - Leveled dryer.
  - Have secured all exhaust vent joints with 102 mm (4") clamps.
  - Have all the tools you started with.
2. Plug power supply cord into earthed outlet or connect direct wire to power supply. Turn power supply on.
3. Read the Use and Care Guide to fully understand your new dryer. Select a full heat cycle (not the air cycle) and "PRESS PUSH TO START" button. Your gas dryer has an electronic ignition system for the burner which is fully automatic; no action is needed by the user (there is no pilot light).
4. After 5 minutes, open dryer door. You should feel heat inside dryer.

If the burner did not ignite and you do not feel heat inside the dryer, shut the dryer off for 5 minutes, then check the following:

- Electrical supply is connected.
- House fuse is intact and tight; or circuit breaker has not tripped.
- Dryer door is closed.
- Controls are set in a running or "On" position.
- Start button has been pushed firmly.

If dryer makes an unusual noise, check that the dryer is level.

### Moving dryer to a new location?

Check with a qualified electrician to confirm that supply voltage at new home matches voltage specified on the model/serial rating plate location.

*Remove power cord plug from power supply.*

*Tape top to cabinet.*

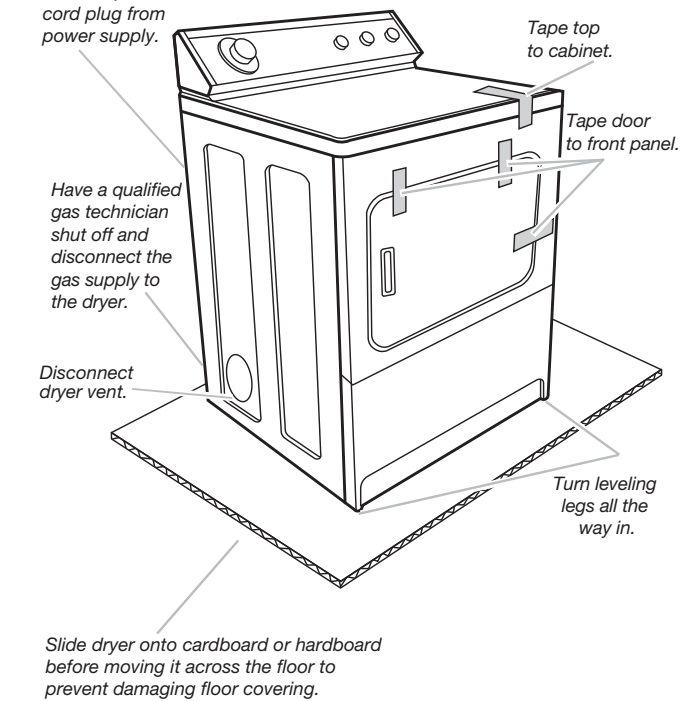
*Tape door to front panel.*

*Have a qualified gas technician shut off and disconnect the gas supply to the dryer.*

*Disconnect dryer vent.*

*Turn leveling legs all the way in.*

*Slide dryer onto cardboard or hardboard before moving it across the floor to prevent damaging floor covering.*



## Technical Specifications

220-240V~50Hz 1ph 3A max. IP24 Clothes capacity: 9.0 kg max.		
Factory set for NATURAL GAS: Injector size: 2.2 mm Heat input gross: 5.9 kW		
European Country:	CZ, CY, ES, GB, GR, HR, IE, IT, PT, SI, SK, TR	CY, CZ, DK, EE, FI, GR, HU, IT, NO, RO, SE, SK, TR
European Gas Category:	II <sub>2H3+</sub>	II <sub>2H3B/P</sub>
Gas Flow Rate:	0.562703 m <sup>3</sup> /hr	0.562703 m <sup>3</sup> /hr
Supply Pressure (G20):	20 mbar	20 mbar
Factory Adjusted Pressure:	7.4 mbar	7.4 mbar
With LP Gas Conversion Kit: Injector size: 1.25 mm Heat input gross: 6.4 kW		
European Country:	CZ, CY, ES, GB, GR, HR, IE, IT, PT, SI, SK, TR	CY, CZ, DK, EE, FI, GR, HU, IT, NO, RO, SE, SK, TR
European Gas Category:	II <sub>2H3+</sub>	II <sub>2H3B/P</sub>
Butane Supply Pressure (G30):	28-30 mbar	30 mbar
Adjusted Pressure:	N/A	N/A
Propane Supply Pressure (G31):	37 mbar	30 mbar
Adjusted Pressure:	N/A	N/A
With France/Belgium NATURAL GAS conversion kit: Injector size: 1.65 mm Heat input gross: 5.9 kW		
European Country:	FR, BE	
European Gas Category:	I <sub>2E+</sub>	
Supply Pressure (G20):	20 mbar	
Supply Pressure (G25):	25 mbar	
Adjusted Pressure:	N/A	
<p><b>NOTE:</b> Conversion kit : From Natural Gas to LP Gas : Whirlpool Part No. W10233219.            Conversion kit : From Natural Gas to Natural Gas - France/Belgium: Whirlpool Part No. W10184947.            Manufacturer : Whirlpool Corporation, Benton Harbor, Michigan 49022, USA.</p>		

# ÍNDICE

<b>SEGURIDAD DE LA SECADORA</b> .....	13	<b>INSTRUCCIONES DE INSTALACIÓN – SECADORA A GAS</b> ....	21
<b>REQUISITOS DE INSTALACIÓN</b> .....	16	Instalación de la ventilación .....	21
Piezas y herramientas .....	16	Preparación de la secadora .....	21
Requisitos de ubicación.....	16	Nivelación y ventilación de la secadora.....	21
Requisitos eléctricos .....	18	Cambio del sentido de abertura de la puerta (opcional) .....	22
Requisitos del suministro de gas.....	18	Verifique el funcionamiento .....	23
Requisitos de ventilación .....	19		

## SEGURIDAD DE LA SECADORA

### Su seguridad y la seguridad de los demás es muy importante.

Hemos incluido muchos mensajes importantes de seguridad en este manual y en su electrodoméstico. Lea y obedezca siempre todos los mensajes de seguridad.



Este es el símbolo de advertencia de seguridad.

Este símbolo le llama la atención sobre peligros potenciales que pueden ocasionar la muerte o una lesión a usted y a los demás.

Todos los mensajes de seguridad irán a continuación del símbolo de advertencia de seguridad y de la palabra “PELIGRO” o “ADVERTENCIA”. Estas palabras significan:

 **PELIGRO**

Si no sigue las instrucciones de inmediato, usted puede morir o sufrir una lesión grave.

 **ADVERTENCIA**

Si no sigue las instrucciones, usted puede morir o sufrir una lesión grave.

Todos los mensajes de seguridad le dirán el peligro potencial, le dirán cómo reducir las posibilidades de sufrir una lesión y lo que puede suceder si no se siguen las instrucciones.

### PARA SU SEGURIDAD

1. No use ni guarde gasolina ni otros materiales inflamables dentro de este aparato ni cerca del mismo.
2. No rocíe con aerosoles en la proximidad de este aparato mientras esté en funcionamiento.
3. No modifique este aparato.



## **ADVERTENCIA - “Riesgo de incendio”**

- La instalación de la secadora de ropa debe estar a cargo de un instalador competente.
- Instale la secadora de ropa según las instrucciones del fabricante y los códigos locales.
- No instale una secadora de ropa con materiales de ventilación de plástico flexible. Si se usa un conducto de metal flexible (de hoja de metal), éste deberá ser de un tipo específico, que esté identificado por el fabricante de electrodomésticos como apto para ser usado con secadoras de ropa. Es sabido que los materiales de ventilación flexible se derrumban, se aplastan con facilidad y atrapan pelusa. Estas condiciones obstruirán el flujo de aire de la secadora de ropa y aumentarán el riesgo de incendio.
- Para reducir el riesgo de lesiones severas o la muerte, siga todas las instrucciones de instalación.
- Guarde estas instrucciones.

**ADVERTENCIA:** Para su seguridad, la información en este manual debe ser observada para minimizar el riesgo de incendio o explosión, o para prevenir daños a propiedades, heridas o la muerte.

- No almacene o use gasolina u otros líquidos y vapores inflamables cerca de éste u otro aparato electrodoméstico.
- **PASOS QUE USTED DEBE SEGUIR SI HUELE A GAS:**
  - No trate de encender ningún aparato electrodoméstico.
  - No toque ningún interruptor eléctrico; no use ningún teléfono en su edificio.
  - Desaloje a todos los ocupantes del cuarto, edificio o área.
  - Llame inmediatamente a su proveedor de gas desde el teléfono de un vecino. Siga las instrucciones de su proveedor de gas.
  - Si usted no puede comunicarse con su proveedor de gas, llame al departamento de bomberos.
- La instalación y el servicio deben ser efectuados por un instalador calificado, una agencia de servicio o por el proveedor de gas.

## INSTRUCCIONES IMPORTANTES DE SEGURIDAD

**ADVERTENCIA:** A fin de reducir el riesgo de incendio, descarga eléctrica o de daño a las personas que usen la secadora, deben seguirse las precauciones básicas, incluidas las siguientes:

- Lea todas las instrucciones antes de usar la secadora.
- No coloque los objetos expuestos a aceite para cocinar en su secadora. Los objetos expuestos a aceites para cocinar pueden contribuir a una reacción química que podría causar que una carga se inflame.
- No seque artículos que ya se hayan limpiado, lavado, remojado o manchado con gasolina, disolventes de limpieza en seco, u otras sustancias inflamables o explosivas ya que despiden vapores que pueden encenderse o causar una explosión.
- No permita que jueguen los niños sobre o dentro de la secadora. Es necesaria la cuidadosa vigilancia de los niños toda vez que se use la secadora cerca de ellos.
- Quite la puerta de la secadora al compartimiento de secado antes de ponerla fuera de funcionamiento o de descartarla.
- No introduzca las manos en la secadora cuando el tambor está en movimiento.
- No instale o almacene esta secadora donde estará expuesta a agua o a la intemperie.
- No trate de forzar los controles.
- No repare o reemplace ninguna pieza de la secadora ni trate de repararla a menos que esto se recomiende específicamente en el Manual del propietario o en instrucciones de reparación publicadas para el usuario que usted comprenda y sólo si cuenta con la experiencia necesaria para llevar a cabo dicha reparación.
- No utilice suavizantes de telas o productos para eliminar la estática de prendas a menos que lo recomiende el fabricante del suavizante de telas o del producto en uso.
- Los artículos tales como goma espuma (espuma de látex), gorras de baño, telas a prueba de agua, artículos con reverso de goma y prendas o almohadas rellenas de hule espuma, deberán secarse en un tendedero.
- Limpie el filtro de pelusa antes o después de cada carga de ropa.
- Mantenga el área alrededor de la apertura de ventilación y las áreas adyacentes a esta apertura sin pelusa, polvo o tierra.
- La parte interior de la secadora y el ducto de escape se deben limpiar periódicamente. Esta limpieza la debe llevar a cabo un reparador calificado.
- Vea la instrucciones de instalación para los requisitos de conexión a tierra.

**GUARDE ESTAS INSTRUCCIONES**

**ADVERTENCIA:** Las pérdidas de gas no siempre se pueden detectar por el olfato.

Los proveedores de gas recomiendan que usted use un detector de gas aprobado por UL (Laboratorio de normalización) o CSA (Asociación canadiense de seguridad).

Para obtener más información, póngase en contacto con su proveedor de gas.

Si se detecta una fuga de gas, siga las instrucciones de "Pasos que usted debe seguir si huele a gas".

# REQUISITOS DE INSTALACIÓN

## Piezas y herramientas

Reúna las herramientas y piezas necesarias antes de comenzar la instalación. Lea y siga las instrucciones provistas con cualquiera de las herramientas enlistadas aquí.

### Herramientas necesarias

- Destornillador de hoja plana
- Destornillador Phillips
- Llave de tuercas ajustable que se abra a 25 mm (1")
- Llave de tubo de cabeza hexagonal de 25 mm (1")
- Nivel
- Llave para tubos de 200 ó 300 mm (8" ó 10")
- Llave de tubo de 6,35 mm (1/4") o llave de tuercas de 6,35 mm (1/4")
- Cuchillo para uso general
- Abrazaderas para ducto
- Pegamento para tuberías resistente a gas L.P.
- Pistola y masilla para calafateo (para instalar el nuevo ducto de escape)
- Tijeras para lata

### Piezas suministradas

Retire la bolsa de piezas del tambor de la secadora. Verifique que estén todas las piezas.

- 4 patas niveladoras
- 4 adaptadores para la tubería de entrada de gas

### Piezas necesarias

Verifique los códigos locales y con la compañía abastecedora de gas, y lea los requisitos eléctricos, de suministro de gas y los requisitos de ventilación antes de comprar las piezas.

La línea de suministro de gas debe tener:

- Válvula de cierre

La línea de suministro de gas rígida debe tener:

- Tubería de un mínimo de 12,5 mm (1/2") de diámetro interno

La línea flexible de suministro de gas debe tener:

- Manguera flexible aprobada de un mínimo de 10 mm (3/8") de diámetro interno

### Conversión de gas L.P.:

Juego de conversión de gas, pieza número 279918, que está disponible con su distribuidor. El juego incluye las instrucciones completas. La conversión deberá llevarla a cabo un técnico calificado.

## Requisitos de ubicación

### ⚠ ADVERTENCIA



#### Peligro de explosión

**Mantenga los materiales y vapores inflamables, tales como la gasolina, alejados de la secadora.**

**Coloque la secadora a un mínimo de 460 mm (18 pulgadas) sobre el piso para la instalación en un garaje.**

**No seguir estas instrucciones puede ocasionar la muerte, explosión o incendio.**

**IMPORTANTE:** Observe todos los códigos y reglamentos aplicables.

- Verifique los requisitos de los códigos. Algunos códigos limitan, o no permiten, la instalación de la secadora en garajes, clósets o en dormitorios. Póngase en contacto con el inspector de construcciones de su localidad.
- Asegúrese de que los bordes inferiores del armario, además de la parte posterior e inferior de la secadora, estén libres de obstrucciones, para permitir el espacio adecuado de aberturas para la combustión de aire. Vea "Instrucciones para la instalación empotrada o en clóset" para los requisitos mínimos de espacio.

**NOTA:** No debe instalarse la secadora en un área en donde pueda estar expuesta al agua y/o a la intemperie. Es posible que los ciclos automáticos no se apaguen si la temperatura de la habitación es inferior a 7° C (45° F).

- El declive máximo debajo de toda la secadora deberá ser de menos de 1" (25 mm). Si el declive es mayor que 1" (25 mm), instale el Juego de patas más largas de la secadora, Pieza No. 279810. La ropa quizás no rote adecuadamente y los ciclos del sensor automático posiblemente no funcionen debidamente si la secadora no está nivelada. El piso deberá ser lo suficientemente fuerte como para soportar el peso de la secadora de 79,4 kg (175 lbs).



## Instrucciones para la instalación empotrada o en clóset

Esta secadora no debe instalarse detrás de una puerta que se pueda cerrar con llave, una puerta corrediza o una puerta con bisagra del lado opuesto a la bisagra de la secadora.

Esta secadora podrá instalarse en un área empotrada o en un clóset. Para las instalaciones en áreas empotradas o clósets, se pueden encontrar los espacios mínimos en la etiqueta de la serie de la secadora.

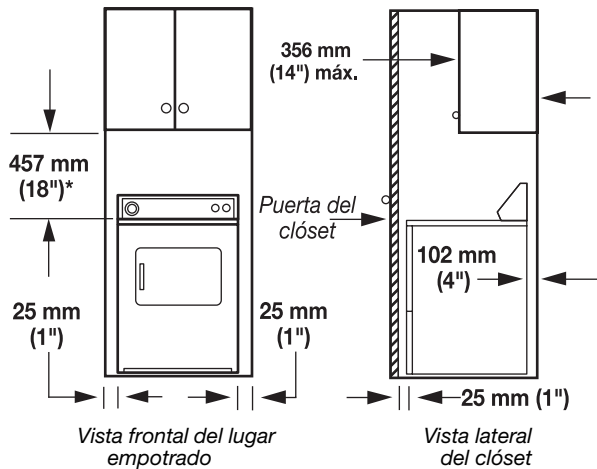
El espacio de instalación es en milímetros (pulgadas) y es el mínimo permitido. Debe considerarse espacio adicional para facilitar la instalación, el servicio técnico y el cumplimiento de los códigos y ordenanzas locales.

Si se ha instalado la puerta del clóset, se requieren aberturas mínimas de ventilación sin obstrucciones en la parte superior e inferior de la puerta. Se aceptan puertas tipo persianas con aberturas de aire equivalentes.

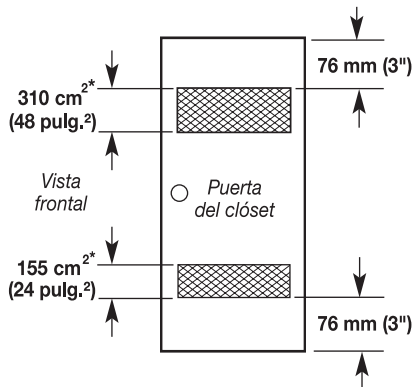
La secadora deberá ventilarse al exterior.

No se puede instalar otro electrodoméstico que usa combustible en el mismo clóset en que se encuentra la secadora.

### Espacios mínimos para la instalación



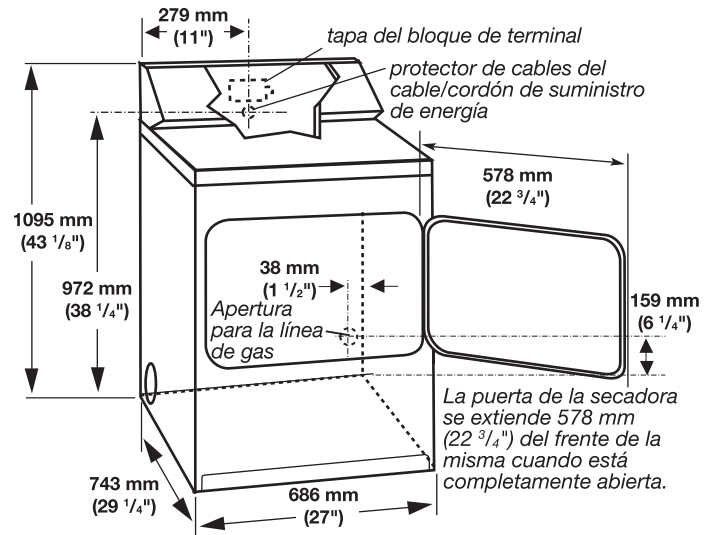
\*Se podrían necesitar espacios libres adicionales para las molduras de la pared, de la puerta y del piso, o si se usa un codo externo de ventilación.



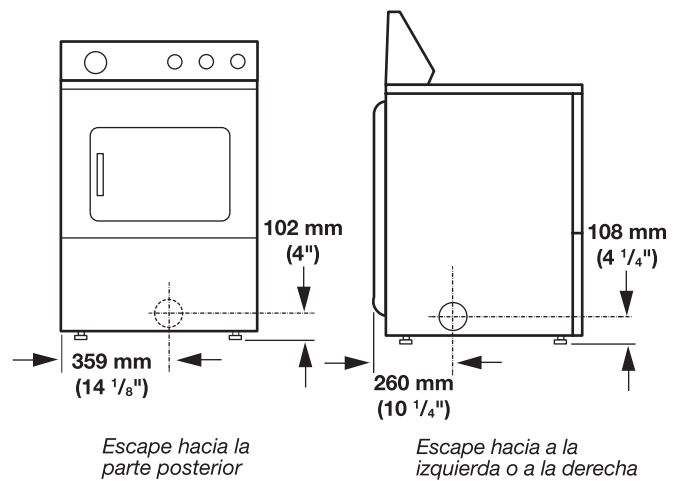
\*La abertura es la mínima para la puerta del clóset. Se aceptan puertas tipo persianas con aberturas de aire equivalentes.

## Medidas del producto

Las medidas que se muestran son con las patas extendidas a 25 mm (1") desde la parte inferior de la secadora.



### Dimensiones del ducto de escape



## Requisitos eléctricos

**Importante:** Observe todos los códigos y reglamentos aplicables.

Esta secadora está provista de un cable de suministro eléctrico y un enchufe. Deberá ser conectada al receptáculo de suministro eléctrico con el voltaje que se muestra en la placa de clasificación. La capacidad mínima del fusible de suministro deberá ser de 5A. La secadora deberá colocarse de manera que el enchufe esté accesible. Si no se usa el enchufe provisto, la conexión eléctrica deberá llevarse a cabo por parte de un electricista capacitado, según los códigos locales o nacionales.

Si se ha dañado el cable de suministro, deberá reemplazarse con un cable especialmente terminado, por parte de un agente de servicio autorizado u otra persona similarmente calificada.

No use un adaptador.

No use un cable eléctrico de extensión.

## ⚠ ADVERTENCIA



### Peligro de descarga eléctrica

**Este es un aparato de 3 hilos y debe estar conectado a tierra.**

**No haga la conexión a tierra sobre una tubería de gas.**

**No cambie el enchufe del cable de suministro de energía. Si no encaja en el contacto, consulte a un electricista competente para instalar un contacto adecuado.**

**No use un cable eléctrico de extensión con esta secadora.**

**No seguir estas instrucciones puede ocasionar la muerte, incendio o lesiones graves.**

Si los códigos lo permiten y se emplea un cable de conexión a tierra adicional, es recomendable que un electricista calificado determine si la trayectoria de conexión a tierra es adecuada.

**NOTA:** De acuerdo a la Directiva EMC Europea (89/336/EEC) la impedancia máxima del sistema de suministro de electricidad al cual la secadora eléctrica debe estar conectada es 0,29 ohmios + j0,180 ohmios.

## Requisitos del suministro de gas

## ⚠ ADVERTENCIA



### Peligro de explosión

**Conecte esta secadora a un suministro regulado de gas. La presión de suministro debe estar de acuerdo con las Especificaciones técnicas (vea la última página).**

**Instale una válvula de cierre.**

**Apriete firmemente todas las conexiones de gas.**

**Si se conecta a LP, haga que una persona calificada se asegure de que la presión de gas es la correcta.**

**No seguir esta instrucción puede ocasionar la muerte, explosión o incendio.**

### OBSERVE TODOS LOS CÓDIGOS Y REGLAMENTOS APLICABLES.

#### Suministro de gas:

Verifique que la secadora esté equipada con el quemador correcto para el tipo de suministro de gas en particular. La información sobre el quemador está ubicada en la placa de clasificación de modelo/serie, que está en la cavidad de la puerta de la secadora. Si esta información no está de acuerdo con el tipo de gas disponible, vea a su distribuidor.

#### Gas natural:

Esta secadora ha sido ajustada de fábrica para ser usada con GAS NATURAL (G20) y no debería necesitarse otro ajuste durante su instalación.

#### Gas L.P. :

Esta secadora también está certificada para ser usada con gas L.P. (propano o butano) con la conversión adecuada. No se deberá hacer intento alguno para convertir el aparato electrodoméstico del gas especificado en la placa de clasificación del modelo/de la serie para utilizar un gas distinto sin consultar con el abastecedor de gas a cargo.

La conversión deberá llevarla a cabo un técnico de servicio calificado.

El juego de conversión de gas, pieza número 279918, está disponible para la compra con su distribuidor. El juego incluye las instrucciones completas.

## Requisitos de la línea de suministro

Provea una línea de suministro de gas rígida hacia la ubicación de la secadora. Debería tener un mínimo de 12,5 mm (1/2") de diámetro interno. Cuando sea aceptable para el proveedor de gas y los códigos locales, se podrá usar una línea de suministro rígida de 10 mm (3/8") de diámetro interno para longitudes menores de 6,1 m (20 pies). Deben usarse compuestos para uniones de tubería que sean resistentes a la acción del gas L.P.

La conexión de gas a la secadora debe hacerse con una manguera para gas adecuada para el electrodoméstico y la categoría de gas de acuerdo con las normas nacionales de instalación. En caso de dudas, consulte con el proveedor de gas. Debería tener un mínimo de 10 mm (3/8") de diámetro interno.

Debería usarse un medio de sujeción entre el electrodoméstico y la pared para evitar tensionar la línea de suministro rígida cuando se mueva el electrodoméstico. Se recomienda una cadena de largo adecuado y un gancho de pared.

La conexión de la entrada de gas a la secadora es una rosca de NPT de 10 mm (3/8"). Se proporciona un adaptador para la conversión a rosca de 10 mm (3/8" BSP) según la norma ISO.228-1.

Verifique si hay fugas utilizando una solución aprobada para detección de fugas que no sea corrosiva. Se observarán burbujas si hay fuga. Tape cualquier fuga que encuentre. La válvula de gas dentro de la secadora cuenta con una conexión para medir la presión, la cual puede accederse una vez que se quita el panel frontal inferior.

La secadora debe ser desconectada del sistema de tubería del suministro de gas durante cualquier prueba de presión de dicho sistema.

## Requisitos de ventilación

### **ADVERTENCIA**



#### **Peligro de Incendio**

**Use un ducto de escape de metal pesado.**

**No use un ducto de escape de plástico.**

**No use un ducto de escape de aluminio.**

**No seguir estas instrucciones puede ocasionar la muerte o incendio.**

**ADVERTENCIA:** Para reducir el riesgo de incendio, esta secadora DEBE VENTILARSE HACIA EL EXTERIOR.

**IMPORTANTE:** Observe todos los códigos y reglamentos aplicables.

- El ducto de escape de la secadora no debe descargarse a ningún ducto de gas, pared, techo, desván, espacio angosto, conducto de humo ni chimenea, la cual se utilice para humos existentes de otro electrodoméstico que queme gas u otros combustibles, ni un espacio oculto de un edificio, ni cualquier otro ducto de escape usado para ventilación.
- No use una capota de ventilación con pestillo magnético.
- No instale un ducto de escape de metal flexible en paredes, techos o pisos encerrados.
- Se debe usar un ducto de escape de metal pesado de 102 mm (4") y abrazaderas.
- Utilice abrazaderas para sellar todas las juntas. No debe conectarse ni asegurarse el ducto de escape con tornillos ni con ningún otro dispositivo que se extienda hacia el interior de dicho ducto y atrape pelusa. No utilice cinta para ductos.

Use un ducto de escape de metal pesado. No use ducto de escape de plástico o de hoja de metal.

Deberá usarse solamente un ducto de metal rígido o flexible para el escape. Se recomienda un ducto de escape de metal rígido para evitar que se aplaste o se tuerza.

El ducto de escape de metal flexible debe extenderse y sostenerse por completo cuando la secadora esté en su ubicación final. Quite el exceso del ducto de metal flexible para evitar que se doble y se tuerza, lo cual podría dar lugar a una reducción del flujo de aire y a un rendimiento insuficiente.

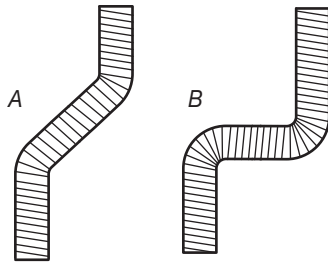
La longitud total del ducto de metal flexible no deberá exceder los 2,4 m (7 3/4 pies).

Una capota de ventilación debe tapar el ducto de escape para evitar el ingreso de roedores e insectos a la casa o comercio.

La capota de ventilación debe estar por lo menos a 305 mm (12") de distancia del piso o de cualquier objeto que pudiese estar en el trayecto del ducto de escape (como flores, rocas o arbustos).

Si se usa un sistema de ventilación existente, limpie la pelusa que está en toda la longitud del sistema y asegúrese de que la capota de ventilación no esté obstruida con pelusa. Reemplace cualquier ducto de escape de plástico o de hoja de metal por uno de metal rígido o de metal flexible.

Planifique la instalación a fin de usar el menor número posible de codos y vueltas. Evite giros de 90°.



Flujo de aire de escape  
A. Mejor  
B. Bueno

Cuando use codos o haga vueltas, deje todo el espacio que sea posible. Doble el ducto gradualmente para evitar torceduras.

El ducto de escape puede ser dirigido hacia arriba, hacia abajo, a la izquierda, derecha, detrás de la secadora o directamente hacia atrás por la parte posterior de la misma.

Control de servicio: Cuando la secadora esté funcionando, la presión dinámica en cualquier sistema de escape que se utilice no debe exceder los 15,2 mm (0,6") en la columna de agua, medida con un manómetro inclinado en el punto en que el ducto de escape se conecta con la secadora.

La salida de escape está ubicada en el centro de la parte posterior de la secadora.

No debe conectarse ni asegurarse el ducto de escape con tornillos ni con ningún otro dispositivo que se extienda hacia el interior de dicho ducto y atrape pelusa. No utilice cinta para ductos.

Al diseñar el sistema de tubería, deberá asegurarse de que cualquier condensación que se forme cuando el aparato esté en funcionamiento, quedará retenida y se evaporará posteriormente o se desechará. Al seguir estas instrucciones de instalación, este requisito se cumplirá adecuadamente.

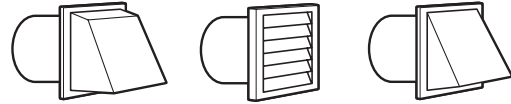
Las secadoras a gas deberán ser instaladas en una habitación solamente si la misma satisface los requisitos adecuados de ventilación especificados en las normas nacionales de instalación. Asegúrese de que la habitación donde esté la secadora tenga un buen suministro de aire para la combustión de gas y el funcionamiento de la secadora. Cuando la secadora se esté usando deberá abrirse una ventana o algún medio de ventilación equivalente en la habitación donde esté en uso (entre las formas de abertura equivalentes se incluyen una persiana ajustable, panel con bisagras u otro medio de ventilación que se abra directamente al aire exterior).

## Largo del sistema de ventilación

La longitud máxima del sistema de ventilación depende del tipo de ducto que se use, el número de codos y el tipo de capota de ventilación. La longitud máxima para el ducto de escape rígido y flexible se muestra en el cuadro.

### Longitud máxima del ducto de escape

Capotas de ventilación de 102 mm (4") de diámetro



### Ducto de escape de metal rígido

N° de vueltas de 90°	Capota de ventilación tipo caja y tipo persiana	Capota de ventilación angular
0	15,8 m (52 pies)	13,4 m (44 pies)
1	13,4 m (44 pies)	11,0 m (36 pies)
2	11,0 m (36 pies)	8,5 m (28 pies)
3	8,2 m (27 pies)	6,4 m (21 pies)
4	6,1 m (20 pies)	4,3 m (14 pies)

Para los sistemas de escape que no estén cubiertos en el cuadro de especificación de la ventilación (tales como para conexión de múltiples unidades, plenums y ventiladores de potencia), vea el Manual de servicio de Whirlpool, "Ventilación de secadoras Whirlpool", Pieza N° LIT603197, disponible en el distribuidor de piezas Whirlpool.

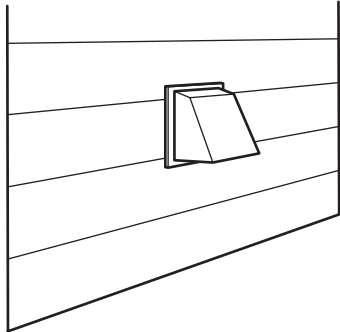
Si la secadora está instalada en un área cerrada tal como un dormitorio, baño o clóset, deberán tomarse las provisiones necesarias para que haya aire suficiente para la combustión y la ventilación. (Verifique los códigos y reglamentos aplicables.) Vea "Instrucciones para la instalación empotrada o en clóset" en la sección "Requisitos de ubicación".

Se prefiere una capota de salida de 102 mm (4"). Sin embargo, podrá usarse una capota de salida de 64 mm (2 ½"). Una salida de 64 mm (2 ½") ocasiona mayor contrapresión que los otros tipos de capotas. Para una instalación permanente, se necesita un sistema de ventilación.

# INSTRUCCIONES DE INSTALACIÓN - SECADORA A GAS

## Instalación de la ventilación

1. Instale la capota de ventilación. Emplee una masilla de sellado para sellar la abertura de la pared externa alrededor de la capota de ventilación.



2. Conecte el ducto de escape a la capota de ventilación. (El ducto de escape DEBE encajar dentro de la capota.) Asegure el ducto de escape a la capota de ventilación con una abrazadera de 102 mm (4").
3. Extienda el ducto de escape a la ubicación de la secadora. Use la trayectoria más recta posible. Evite giros de 90°. Utilice abrazaderas de 102 mm (4") para asegurar las piezas del ducto. Tal vez necesite tijeras para lata para cortar el ducto en la longitud necesaria.

## Preparación de la secadora

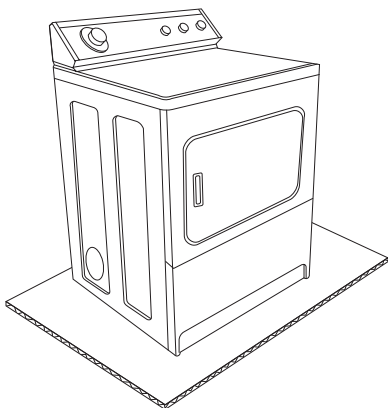
### **⚠ ADVERTENCIA**

#### **Peligro de Peso Excesivo**

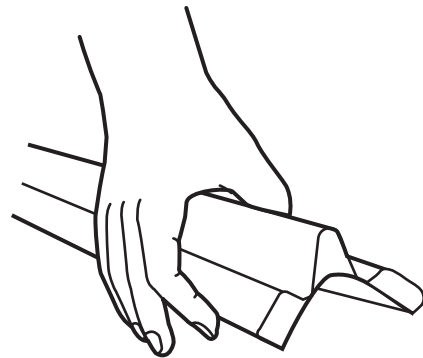
**Use dos o más personas para mover e instalar la secadora.**

**No seguir esta instrucción puede ocasionar una lesión en la espalda u otro tipo de lesiones.**

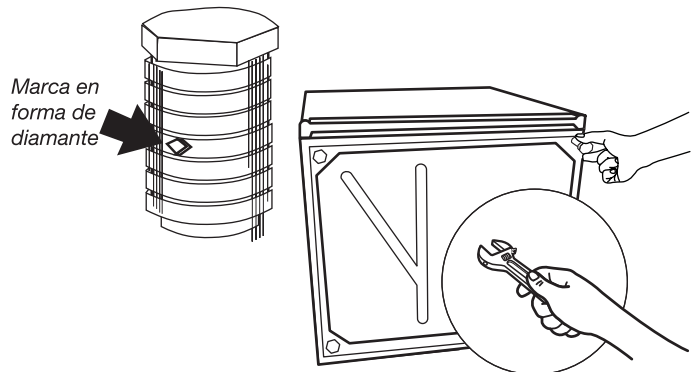
1. Saque la cinta adhesiva de la carcasa de la secadora. Abra la puerta de la secadora y retire la cinta adhesiva del tambor de la secadora. (No todos los tambores de la secadora están pegados con cinta adhesiva.) Saque el estante de secado, si está incluido. Gire hacia la izquierda el tambor de la secadora para asegurarse de que se haya quitado toda la cinta adhesiva. Pásele un paño húmedo al tambor para quitar el polvo.



2. Tome dos esquinales de cartón de la caja de la secadora y colóquelos sobre el piso, en la parte posterior de la secadora. Sujete con firmeza el cuerpo de la secadora y colóquela sobre su parte posterior, encima de los esquinales de cartón.



3. Comience a atornillar las patas en los orificios con la mano. Use una llave de tuercas ajustable o una llave de tubo de cabeza hexagonal de 25 mm (1") para terminar de atornillar las patas hasta alcanzar el lomo con la marca en forma de diamante.



4. Ponga la secadora de pie sobre el cartón o madera dura.

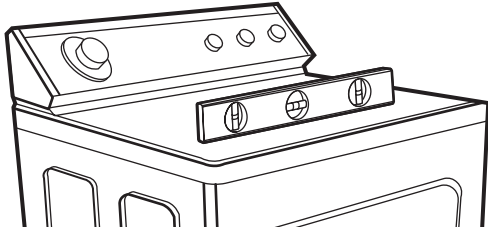
## Nivelación y ventilación de la secadora

La secadora deberá estar nivelada para reducir el ruido y asegurar un rendimiento adecuado.

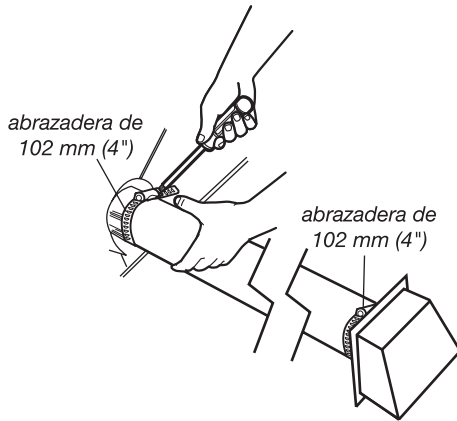
Deslice la secadora sobre cartón o madera dura antes de desplazarla por el piso, para evitar que se dañe el mismo.

1. Trasládela cerca de su ubicación permanente. Deje suficiente espacio para conectar el ducto de escape. Quite el cartón o madera que se encuentra debajo de la secadora.

2. Revise la nivelación de la secadora colocando un nivel en la parte superior de la misma, primero de lado a lado y luego del frente hacia atrás. Si la secadora no está nivelada, ajuste las patas de la misma hacia arriba o hacia abajo.



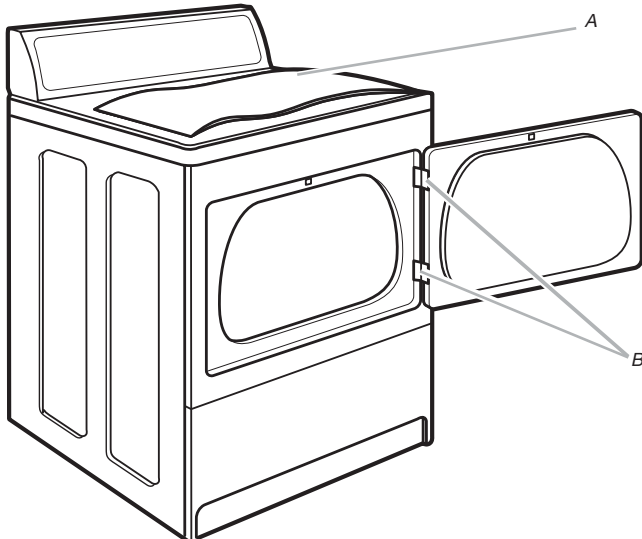
3. Si las patas no son lo suficientemente largas como para nivelar la secadora, pida un Juego de patas más largas de la secadora, Pieza N° 279810 (se venden dos patas por juego), con su distribuidor.
4. Conecte el ducto de escape a la salida de aire de la secadora. El ducto de escape debe encajar sobre la salida de aire de la secadora y dentro de la capota de ventilación. Utilice abrazaderas para ducto de 102 mm (4") para sellar todas las uniones y asegurar el ducto de escape a la salida de escape de la secadora.



5. Mueva la secadora a su ubicación final.

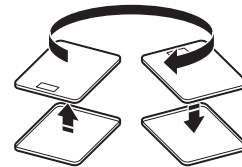
### Cambio del sentido de abertura de la puerta (opcional)

Usted puede invertir el cierre de la puerta de la abertura a la derecha a la abertura a la izquierda, si lo desea.

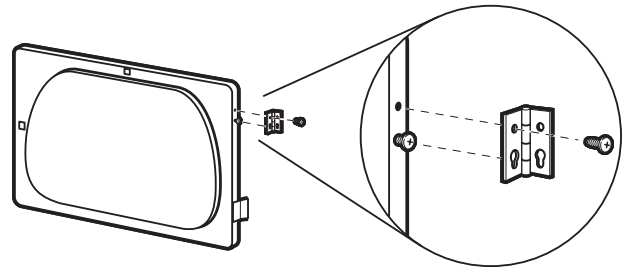


1. Coloque una toalla (A) encima de la secadora para proteger la superficie.

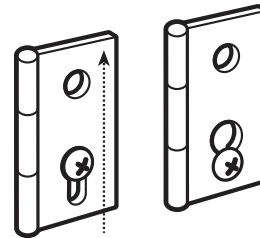
2. Abra la puerta de la secadora. Quite los tornillos inferiores del lado de la carcasa que tiene bisagras (B). Afloje (no quite) los tornillos superiores del lado de la carcasa que tiene bisagras.
3. Levante la puerta hasta que los tornillos superiores de la carcasa estén en la parte grande de la ranura de la bisagra. Jale la puerta hacia adelante para sacarla de los tornillos. Coloque la puerta (con el lado de la manija hacia arriba) encima de la secadora. Quite los tornillos superiores de la carcasa.
4. Quite los tornillos que sujetan las bisagras a la puerta.
5. Quite los tornillos de la parte superior, inferior y lateral de la puerta (5 tornillos). Sosteniendo la puerta sobre la toalla encima de la secadora, sujete los lados de la puerta exterior y levántela con cuidado para separarla de la puerta interior. No haga palanca con el cuchillo para masilla. No jale el sello de la puerta ni el seguro de plástico de la puerta.
6. Asegúrese de mantener el espaciador de cartón centrado entre las puertas. Vuelva a sujetar el panel exterior al panel interior de la puerta, de modo que la manija quede en el lado en donde recién se han quitado las bisagras.



7. Fije las bisagras de la puerta a la puerta de la secadora de manera que el orificio más grande quede en la parte inferior de la bisagra.



8. Quite los 4 tornillos que sujetan 2 tapones en el lado izquierdo. Sujete los tapones al lado derecho con los mismos 4 tornillos.
9. Inserte los tornillos en los orificios inferiores, en el lado izquierdo de la carcasa. Apriete los tornillos hasta la mitad. Coloque la puerta de modo que el extremo grande de la ranura de la bisagra de la puerta esté sobre los tornillos. Deslice la puerta hacia arriba, de modo que los tornillos queden en la parte inferior de las ranuras. Apriete los tornillos. Inserte y apriete los tornillos superiores en las bisagras.



10. Cierre la puerta y revise que el tope de la misma esté alineado con el seguro de la puerta. De ser necesario, deslice el seguro de la puerta hacia la izquierda o derecha dentro de la ranura, para ajustar la alineación.

## Verifique el funcionamiento

1. Verifique que usted:
  - No se haya saltado ningún paso.
  - Haya instalado todas las piezas.
  - Haya instalado las patas niveladoras como es debido.
  - Haya nivelado la secadora.
  - Haya asegurado todas las uniones del ducto de escape con abrazaderas de 102 mm (4").
  - Tenga todas las herramientas con las que empezó.
2. Enchufe el cable de suministro de energía en el contacto con conexión a tierra o conecte el alambre directo al suministro de energía. Encienda el suministro de energía.
3. Lea el Manual de uso y cuidado para entender en su totalidad cómo funciona la nueva secadora. Seleccione un ciclo completo de calor (no un ciclo de aire) y presione el botón de Empuje para poner en marcha ("PUSH TO START"). Su secadora a gas tiene un sistema de encendido electrónico para el quemador, que es completamente automático; el usuario no tiene que hacer nada (no hay luz piloto).
4. Después de 5 minutos, abra la puerta de la secadora. Deberá sentir calor en el interior de la secadora.

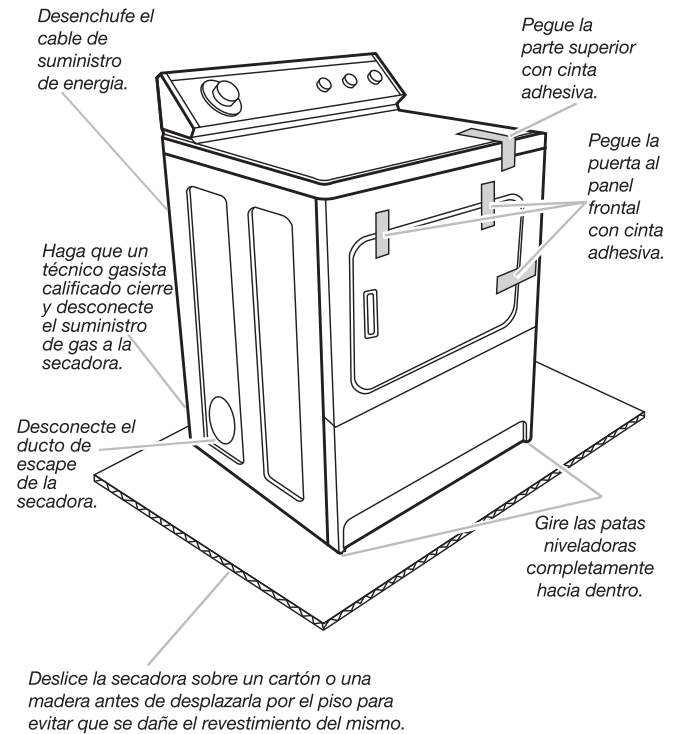
Si el quemador no se enciende y no se siente calor dentro de la secadora, apague la secadora durante 5 minutos y luego verifique lo siguiente:

- Que el suministro eléctrico esté conectado.
- Que el fusible de la casa esté intacto y ajustado, o que no se haya disparado el cortacircuitos.
- Que la puerta de la secadora esté cerrada.
- Que los controles estén en una posición de funcionamiento u "On" (Encendido).
- Que se haya presionado con firmeza el botón de Inicio (Start).

Si la secadora hace un ruido raro, revise si está nivelada.

## ¿Va a mover la secadora a otro lugar?

Verifique con un electricista calificado para confirmar que el suministro de voltaje de la nueva casa coincida con el voltaje especificado en la ubicación de la placa de clasificación de modelo/serie.



## Especificaciones técnicas

220-240V~50 Hz 1 fase 3A máx. IP24 Capacidad de carga: 9,0 kg. máx.		
Ajustado en fábrica para GAS NATURAL: Tamaño del inyector: 2,2 mm Capacidad calorífica bruta: 5,9 kW		
País europeo:	CZ, CY, ES, GB, GR, HR, IE, IT, PT, SI, SK, TR	CY, CZ, DK, EE, FI, GR, HU, IT, NO, RO, SE, SK, TR
Categoría europea de gas:	II <sub>2</sub> H3+	II <sub>2</sub> H3B/P
Tasa de flujo de gas:	0.562703 m <sup>3</sup> /hr	0.562703 m <sup>3</sup> /hr
Presión de suministro (G20):	20 mbar	20 mbar
Presión ajustada en fábrica:	7,4 mbar	7,4 mbar
Con Juego para la conversión de gas LP.: Tamaño del inyector: 1,25 mm Capacidad calorífica bruta: 6,4 kW		
País europeo:	CZ, CY, ES, GB, GR, HR, IE, IT, PT, SI, SK, TR	CY, CZ, DK, EE, FI, GR, HU, IT, NO, RO, SE, SK, TR
Categoría europea de gas:	II <sub>2</sub> H3+	II <sub>2</sub> H3B/P
Presión de suministro de gas butano (G30):	de 28 a 30 mbar	30 mbar
Presión ajustada:	N/A	N/A
Presión de suministro de gas propano (G31):	37 mbar	30 mbar
Presión ajustada:	N/A	N/A
Con el juego de conversión de GAS NATURAL de Francia/Bélgica: Tamaño del inyector: 1,65 mm Capacidad calorífica bruta: 5,9 kW		
País europeo:	FR, BE	
Categoría europea de gas:	I <sub>2</sub> E+	
Presión de suministro (G20):	20 mbar	
Presión de suministro (G25):	25 mbar	
Presión ajustada:	N/A	
<b>NOTA:</b> Juego de conversión: De gas natural a gas LP: Pieza de Whirlpool N° W10233219. Juego de conversión: De gas natural a gas natural – Francia/Bélgica: Pieza de Whirlpool N° W10184947. Fabricante: Whirlpool Corporation, Benton Harbor, Michigan 49022, USA.		



# TABLE DES MATIERES

<b>SECURITE DU SECHE-LINGE .....</b>	<b>25</b>	<b>INSTRUCTIONS D'INSTALLATION – SECHE-LINGE A GAZ ...</b>	<b>33</b>
<b>EXIGENCES D'INSTALLATION .....</b>	<b>28</b>	Installation du dispositif d'évacuation.....	33
Outillage et pièces.....	28	Préparation du sèche-linge .....	33
Exigences d'emplacement.....	28	Mise à niveau et évacuation du sèche-linge.....	33
Spécifications électriques .....	30	Inversion du sens de l'ouverture	
Exigences concernant l'alimentation en gaz.....	30	de la porte (facultatif).....	34
Exigences concernant l'évacuation .....	31	Contrôle du fonctionnement .....	35

## SECURITE DU SECHE-LINGE

### Votre sécurité et celle des autres est très importante.

Nous donnons de nombreux messages de sécurité importants dans ce manuel et sur votre appareil ménager. Assurez-vous de toujours lire tous les messages de sécurité et de vous y conformer.



Voici le symbole d'alerte de sécurité.

Ce symbole d'alerte de sécurité vous signale les dangers potentiels de décès et de blessures graves à vous et à d'autres.

Tous les messages de sécurité suivront le symbole d'alerte de sécurité et le mot "DANGER" ou "AVERTISSEMENT". Ces mots signifient :

 **DANGER**

**Risque possible de décès ou de blessure grave si vous ne suivez pas immédiatement les instructions.**

 **AVERTISSEMENT**

**Risque possible de décès ou de blessure grave si vous ne suivez pas les instructions.**

Tous les messages de sécurité vous diront quel est le danger potentiel et vous disent comment réduire le risque de blessure et ce qui peut se produire en cas de non-respect des instructions.

### POUR VOTRE SÉCURITÉ

1. Ne pas utiliser ni entreposer d'essence ou d'autres matériaux inflammables à l'intérieur ou à proximité de cet appareil.
2. Ne pas vaporiser d'aérosols à proximité de cet appareil durant son fonctionnement.
3. Ne pas modifier cet appareil.



## **AVERTISSEMENT** - “Risque d’incendie”

- L’installation du sèche-linge doit être effectuée par un installateur qualifié.
- Installer le sèche-linge conformément aux instructions du fabricant et aux codes locaux.
- Ne pas installer de sèche-linge avec des matériaux d’évacuation en plastique souple. Si un conduit métallique souple (de type papier d’aluminium) est installé, celui-ci doit être d’un type spécifique identifié par le fabricant de l’appareil et convenir à une utilisation avec les sèche-linge. Les matériaux d’évacuation souples sont connus pour s’affaisser, être facilement écrasés et bloquer la charpie. Ces situations obstrueront le débit d’air du sèche-linge et augmenteront le risque d’incendie.
- Pour réduire le risque de blessure grave ou de décès, suivre toutes les instructions d’installation
- Conserver ces instructions.

**AVERTISSEMENT** : Pour votre sécurité, les renseignements dans ce manuel doivent être observés pour réduire au minimum les risques d’incendie ou d’explosion ou pour éviter des dommages au produit, des blessures ou un décès.

- Ne pas entreposer ou utiliser de l’essence ou d’autres vapeurs ou liquides inflammables à proximité de cet appareil ou de tout autre appareil électroménager.
- **QUE FAIRE DANS LE CAS D’UNE ODEUR DE GAZ :**
  - Ne pas tenter d’allumer un appareil.
  - Ne pas toucher à un commutateur électrique; ne pas utiliser le téléphone se trouvant sur les lieux.
  - Évacuer tous les gens de la pièce, de l’édifice ou du quartier.
  - Appeler immédiatement le fournisseur de gaz du téléphone d’un voisin. Suivre ses instructions.
  - À défaut de joindre votre fournisseur de gaz, appeler les pompiers.
- L’installation et l’entretien doivent être effectués par un installateur qualifié, une agence de service ou le fournisseur de gaz.

## IMPORTANTES INSTRUCTIONS DE SÉCURITÉ

**AVERTISSEMENT :** Pour réduire le risque d'incendie, de choc électrique ou de blessure lors de l'utilisation du sèche-linge, il convient d'observer certaines précautions élémentaires dont les suivantes :

- Lire toutes les instructions avant d'utiliser le sèche-linge.
- Ne pas placer des articles exposés aux huiles de cuisson dans votre sèche-linge. Les articles contaminés par des huiles de cuisson peuvent contribuer à une réaction chimique qui pourrait causer à la charge de s'enflammer.
- Ne pas faire sécher dans la machine des articles qui ont déjà été nettoyés, lavés, imbibés, ou tachés d'essence, de solvants pour nettoyage à sec, d'autres substances inflammables, ou de substances explosives puisqu'elles dégagent des vapeurs qui peuvent provoquer un incendie ou une explosion.
- Ne pas permettre à des enfants de jouer sur ou à l'intérieur du sèche-linge. Une surveillance étroite est nécessaire lorsque le sèche-linge est utilisé près d'eux.
- Avant d'enlever le sèche-linge du service ou le jeter, enlever la porte du compartiment de séchage.
- Ne pas mettre la main dans le sèche-linge si le tambour est en mouvement.
- Ne pas installer ni entreposer le sèche-linge où il sera exposé aux intempéries.
- Ne pas jouer avec les commandes.
- Ne pas réparer ni remplacer une pièce du sèche-linge ou essayer d'en faire l'entretien à moins d'une recommandation spécifique dans le guide d'utilisation et d'entretien, ou publiée dans les instructions de réparation par l'utilisateur que vous comprenez et pouvez exécuter avec compétence.
- Ne pas utiliser un produit assouplissant de tissu ou des produits pour éliminer la statique à moins qu'ils ne soient recommandés par le fabricant du produit assouplissant de tissu ou du produit.
- Les articles tels que le caoutchouc mousse (mousse de latex), les bonnets de douche, les textiles imperméables, les articles avec endos de caoutchouc et les vêtements ou oreillers rembourrés avec matelassage en mousse doivent être séchés sur une corde à linge.
- Nettoyer le filtre à peluches avant et après chaque charge.
- Ne pas laisser les peluches, la poussière, ou la saleté s'accumuler autour du système d'évacuation ou autour de l'appareil.
- Un nettoyage périodique de l'intérieur du sèche-linge et du conduit d'évacuation doit être effectué par une personne qualifiée.
- Voir les instructions d'installation pour les exigences de liaison de l'appareil à la terre.

**CONSERVEZ CES INSTRUCTIONS**

**AVERTISSEMENT :** L'odorat ne permet pas toujours la détection d'une fuite de gaz.

Les distributeurs de gaz recommandent l'emploi d'un détecteur de gaz (homologation UL ou CSA).

Pour d'autre information, contacter le fournisseur de gaz local.

En cas de détection d'une fuite de gaz, exécuter les instructions "Que faire dans le cas d'une odeur de gaz".

# EXIGENCES D'INSTALLATION

## Outillage et pièces

Rassembler les outils et pièces nécessaires avant de commencer l'installation. Lire et suivre les instructions fournies avec les outils indiqués ici.

### Outils nécessaires

- Tournevis à lame plate
- Tournevis Phillips
- Clé à molette (ouverture : 25 mm [1"])
- Clé à douille hexagonale (25 mm [1"])
- Niveau
- Clé à tuyauterie de 200 ou 300 mm (8" ou 10")
- Clé à douille ou tourne-écrou de 6,35 mm (¼")
- Couteau universel
- Brides de serrage pour conduit d'évacuation
- Composé d'étanchéité pour tuyauterie – résistant au gaz propane
- Pistolet à calfeutrage et composé de calfeutrage (pour l'installation d'un nouveau conduit d'évacuation)
- Cisaille de ferblantier

### Pièces fournies

Retirer le sac de pièces du tambour du sèche-linge. Vérifier la présence de toutes les pièces.

- 4 pieds de nivellement
- 4 adaptateurs pour canalisation d'entrée de gaz

### Pièces nécessaires

Consulter la réglementation locale et le fournisseur de gaz, et lire les exigences relatives à l'électricité, au gaz et à l'évacuation avant d'acheter des pièces.

La canalisation d'alimentation en gaz doit comprendre :

- Robinet d'arrêt

La canalisation rigide d'alimentation en gaz doit respecter les exigences suivantes :

- Canalisation de diamètre interne de 12,5 mm (½") minimum

Le tuyau flexible d'alimentation en gaz doit respecter les exigences suivantes :

- Conduit flexible homologué de diamètre interne de 10 mm (⅜") minimum

### Conversion au gaz propane :

Ensemble de conversion, pièce numéro 279918, disponible à l'achat chez votre revendeur. Toutes les instructions sont fournies dans cet ensemble. Un technicien qualifié doit effectuer la conversion.

## Exigences d'emplacement

### ⚠ AVERTISSEMENT



#### Risque d'explosion

**Garder les matières et les vapeurs inflammables, telle que l'essence, loin du sèche-linge.**

**Placer le sèche-linge au moins 460 mm au-dessus du plancher pour une installation dans un garage.**

**Le non-respect de ces instructions peut causer un décès, une explosion ou un incendie.**

**IMPORTANT :** Observer les dispositions de tous les codes et règlements en vigueur.

- Vérifier les exigences des codes : Certains codes limitent ou n'autorisent pas l'installation d'un sèche-linge dans un garage, un placard ou une chambre à coucher. Communiquer avec l'inspecteur des bâtiments local.
- S'assurer que les rebords inférieurs de la caisse, les côtés arrière et inférieurs du sèche-linge, sont bien dégagés pour permettre une évacuation adéquate de l'air de combustion. Voir la section "Instructions d'installation dans un encastrement ou un placard" pour connaître les dimensions d'espacement minimum.

**REMARQUE :** Le sèche-linge ne doit pas être installé ou entreposé dans un endroit où il sera exposé à l'eau et/ou aux intempéries. Si la température ambiante est inférieure à 7°C (45°F), les programmes automatiques peuvent ne pas s'arrêter.

- L'inclinaison maximale sous le sèche-linge doit être inférieure à 25 mm (1"). Si l'inclinaison est supérieure à 25 mm (1"), installer l'ensemble de pieds d'extension pour sèche-linge, pièce no 279810. Si le sèche-linge n'est pas de niveau, le linge peut ne pas culbuter convenablement et les programmes automatiques commandés par détecteur peuvent ne pas fonctionner correctement. Le sol doit pouvoir supporter le poids du sèche-linge de 79,4 kg (175 lb).

## Instructions d'installation dans un encastrement ou un placard

Ne pas installer ce sèche-linge derrière une porte pouvant être fermée à clé, une porte coulissante ou une porte avec charnière située du côté opposé à celui du sèche-linge.

Ce sèche-linge peut être installé dans un encastrement ou un placard. Pour les installations dans un encastrement ou un placard, les dimensions minimales sont indiquées sur l'étiquette du numéro de série du sèche-linge.

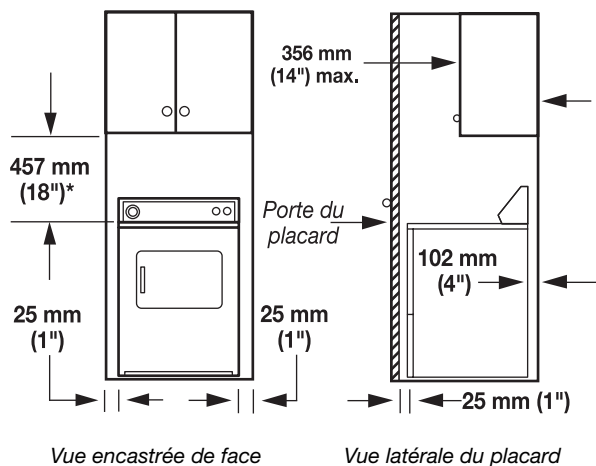
Les dimensions d'installation sont en centimètres et en millimètres (et pouces) et constituent le minimum applicable. Un espace supplémentaire peut être nécessaire pour faciliter l'installation, l'entretien et pour observer les codes et règlements locaux.

Si une porte de placard est installée, une ouverture d'évacuation de l'air minimale est nécessaire dans les parties supérieure et inférieure. Les portes à claire-voie offrant des ouvertures équivalentes sont acceptables.

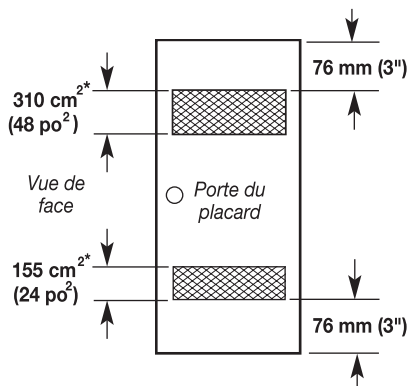
Le sèche-linge doit évacuer à l'extérieur.

Aucun autre appareil consommant un combustible ne doit être installé dans le même placard que le sèche-linge.

### Dégagements de séparation minimums



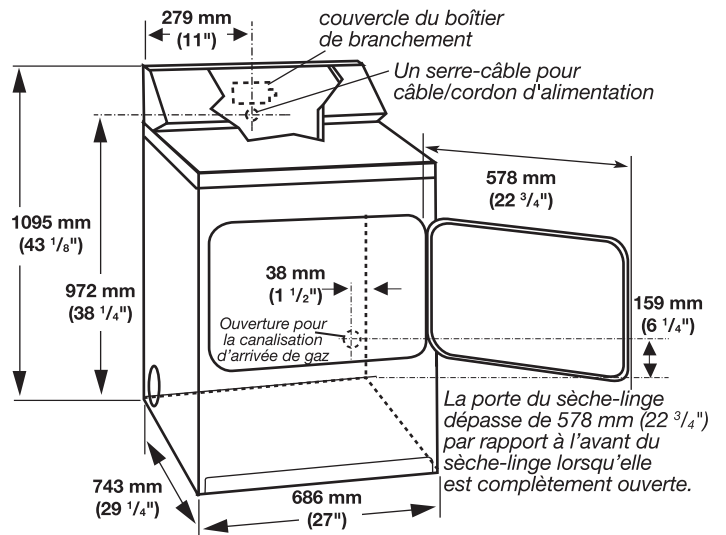
\*Des espacements supplémentaires pour le mur, la porte et les plinthes peuvent être nécessaires si on utilise un coude d'évacuation externe.



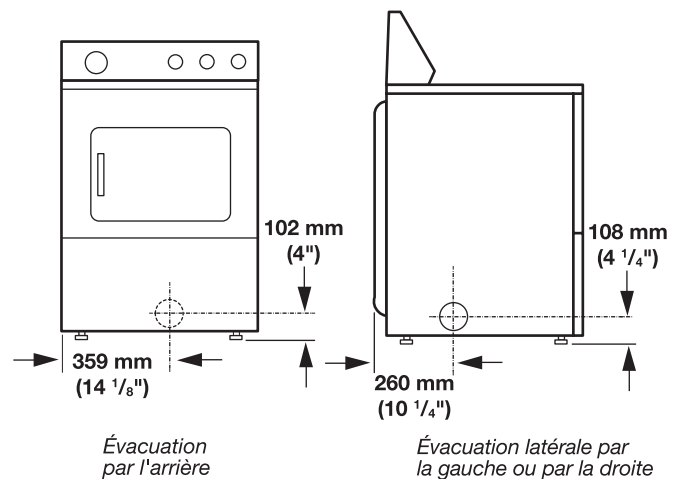
\*Dimension minimale pour une porte de placard. Les portes à claire-voie offrant des ouvertures équivalentes sont acceptables.

## Dimensions du produit

Dimensions illustrées avec pieds allongés à 25 mm (1") sous le sèche-linge.



### Dimensions pour l'évacuation



## Spécifications électriques

**Important :** Observer les dispositions de tous les codes et règlements en vigueur.

Ce sèche-linge est équipé d'un cordon d'alimentation électrique et d'une prise. Il doit être connecté à une prise de courant correspondant au voltage indiqué sur la plaque signalétique. La capacité minimale du fusible d'alimentation doit être de 5 A. Le sèche-linge doit être installé de façon à ce que la prise soit accessible. Si la prise correspondante n'est pas utilisée, la connexion électrique doit être effectuée par un électricien compétent conformément aux codes locaux et nationaux.

Si le cordon d'alimentation est endommagé, il doit être remplacé par un cordon à embout spécifique par un agent d'entretien autorisé ou une personne compétente similaire.

Ne pas utiliser un adaptateur.

Ne pas utiliser un câble de rallonge.

### **⚠ AVERTISSEMENT**



#### Risque de choc électrique

**Une mise à la terre est nécessaire sur cet appareil à 3 conducteurs.**

**Ne pas utiliser une tuyauterie de gaz pour le raccordement à la terre.**

**Ne pas changer la fiche du cordon d'alimentation. Si elle ne correspond pas à la prise de sortie, faire installer une prise adéquate par un électricien qualifié.**

**Ne pas utiliser de câble de rallonge avec ce sèche-linge.**

**Le non-respect de ces instructions peut causer un décès, un incendie ou des blessures graves.**

Si les codes le permettent et si on utilise un conducteur distinct de liaison à la terre, il est recommandé qu'un électricien qualifié vérifie la qualité de la liaison à la terre.

**REMARQUE :** Conformément à la directive européenne EMC (89/336/EEC), l'impédance maximale du système de distribution électrique auquel il convient de relier le sèche-linge électrique doit être de 0,29 Ohm + j0,180 Ohm.

## Exigences concernant l'alimentation en gaz

### **⚠ AVERTISSEMENT**



#### Risque d'explosion

**Connecter ce sèche-linge à une canalisation d'alimentation en gaz réglementée. La pression de gaz doit être conforme aux exigences techniques (voir dernière page).**

**Installer un robinet d'arrêt.**

**Bien serrer tous les raccords de la ligne de gaz.**

**En cas de connexion au gaz propane, demander à une personne qualifiée de s'assurer que la pression d'alimentation en gaz est correcte.**

**Le non-respect de ces instructions peut causer un décès, une explosion ou un incendie.**

#### **RESPECTER LES DISPOSITIONS DE TOUS LES CODES ET REGLEMENTS EN VIGUEUR.**

##### **Alimentation en gaz :**

Vérifier que le sèche-linge est équipé du brûleur approprié correspondant au type de gaz utilisé. Les informations concernant le brûleur se trouvent sur la plaque signalétique située sur la paroi interne de la porte du sèche-linge. Si l'information ne correspond pas au type de gaz disponible, consulter votre revendeur.

##### **Gaz naturel :**

Ce sèche-linge est configuré en usine pour l'utilisation au GAZ NATUREL (G20), aucun réglage supplémentaire n'est nécessaire lors de l'installation.

##### **Gaz propane :**

Ce sèche-linge est également homologué pour l'utilisation au gaz de pétrole liquéfié (propane ou butane) avec la conversion appropriée. Ne pas entreprendre de convertir l'appareil pour l'utilisation d'un gaz différent de celui indiqué sur la plaque signalétique sans d'abord consulter le fournisseur de gaz.

L'opération de conversion doit être exécutée par un technicien de réparation qualifié.

Ensemble de conversion, pièce numéro 279918, disponible à l'achat chez votre revendeur. Toutes les instructions sont fournies dans cet ensemble.

### Exigences concernant la canalisation d'alimentation :

Installer une canalisation d'alimentation solide à l'emplacement du sèche-linge. Le diamètre interne de la canalisation doit être de 12,5 mm (1/2") minimum. Lorsque les codes locaux et votre fournisseur de gaz l'autorisent, une canalisation rigide de diamètre interne de 10 mm (3/8") doit être utilisée pour des longueurs inférieures à 6,1 m (20'). On doit utiliser un composé d'étanchéité des conduits résistant à l'action du gaz de pétrole liquéfié.

Le raccordement au gaz du sèche-linge doit être effectué avec un conduit de gaz flexible approprié pour l'appareil et correspondant à la catégorie de gaz observant les normes nationales de régulations d'installation. En cas de doute, contacter le fournisseur. Le diamètre interne de la canalisation doit être de 10 mm (3/8") minimum. Utiliser un dispositif d'immobilisation entre l'appareil et le mur pour éviter la déformation de la canalisation de gaz rigide lorsqu'on déplace le sèche-linge. Il est recommandé d'utiliser une longueur de chaîne appropriée et un crochet mural.

Le raccordement du conduit d'alimentation en gaz du sèche-linge est un filetage conique NPT de 10 mm (3/8"). Un adaptateur est fourni pour la conversion au filetage de 10 mm (3/8" BSP) selon la norme ISO.228-1.

Vérifier la présence de fuites en utilisant une solution de détection non-corrosive homologuée. L'apparition de bulles indique une fuite. Réparer toute fuite éventuelle. Un capteur de mesure de la pression est inclus dans le robinet de gaz à l'intérieur du sèche-linge; il est accessible après avoir retiré le panneau avant inférieur.

Le sèche-linge doit être déconnecté du système d'alimentation en gaz lors de tout test de pression.

### Exigences concernant l'évacuation

## AVERTISSEMENT



#### Risque d'incendie

**Utiliser un conduit d'évacuation en métal lourd.**

**Ne pas utiliser un conduit d'évacuation en plastique.**

**Ne pas utiliser un conduit d'évacuation en feuille de métal.**

**Le non-respect de ces instructions peut causer un décès ou un incendie.**

**AVERTISSEMENT :** Pour réduire le risque d'incendie, ce sèche-linge doit EVACUER L'AIR A L'EXTERIEUR.

**IMPORTANT :** Observer les dispositions de tous les codes et règlements en vigueur.

- Le conduit d'évacuation du sèche-linge ne doit pas terminer sa course dans un conduit d'évacuation des gaz de combustion, derrière un mur ou un plafond, dans un grenier, un vide sanitaire, un conduit de cheminée ou une cheminée utilisée pour évacuer des gaz de combustion ou d'autres carburants, dans un espace confiné ou dans tout autre conduit de ventilation.
- Ne pas utiliser un clapet d'évacuation à fermeture magnétique.
- Ne pas installer le conduit métallique dans les cavités fermées des murs, plafonds ou portes.
- Utiliser un conduit d'évacuation métallique robuste de 102 mm (4") et des brides de serrage.
- Utiliser des brides pour sceller tous les joints. Le conduit d'évacuation ne doit pas être connecté ou fixé avec des vis ou avec tout autre dispositif de serrage qui se prolonge à l'intérieur du conduit et retient les peluches. Ne pas utiliser de ruban adhésif pour conduit.

Utiliser un conduit d'évacuation en métal lourd. Ne pas utiliser un conduit de plastique ou en feuille métallique.

Utiliser uniquement un conduit de métal rigide ou flexible pour l'évacuation. On recommande d'utiliser un conduit métallique rigide pour réduire les risques d'écrasement et de déformation.

Un conduit métallique flexible doit être totalement déployé et soutenu lorsque le sèche-linge est à sa position finale. Enlever tout excès de conduit flexible pour éviter tout affaissement et déformation susceptible de réduire la capacité d'évacuation et le rendement.

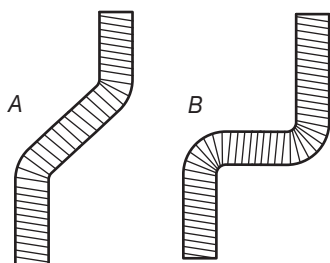
La longueur totale du conduit métallique flexible ne doit pas dépasser 2,4 m (7 3/4 pi).

Terminer le conduit d'évacuation par un clapet d'évacuation pour empêcher les rongeurs et insectes d'entrer dans l'habitation ou le local.

Le clapet d'évacuation doit être situé à au moins 305 mm (12") au-dessus du sol ou de tout autre objet susceptible de se trouver sur le trajet de l'air rejeté (par exemple, fileurs, roches ou buissons, etc.).

Lors de l'utilisation d'un système d'évacuation existant, nettoyer et éliminer les peluches sur toute la longueur du système et veiller à ce que le clapet d'évacuation ne soit pas obstrué par une accumulation de peluches. Remplacer tout conduit de plastique ou d'aluminium par un conduit métallique rigide ou souple.

Planifier l'installation pour introduire le nombre minimal de coudes et de changements de direction. Éviter les changements de direction à 90°.



Débit de l'air évacué

A. Optimal

B. Correct

Si des coudes ou changements de direction sont utilisés, prévoir autant d'espace que possible. Plier le conduit graduellement pour éviter de le déformer.

On peut acheminer le conduit d'évacuation vers le haut, vers le bas, vers la gauche, vers la droite ou en ligne droite depuis l'arrière du sèche-linge.

Vérification d'entretien : Lorsque le sèche-linge est en marche, la pression dynamique de tout système d'évacuation utilisé ne doit pas dépasser 15,2 mm (0,6") dans la colonne d'eau (mesure obtenue à l'aide d'un manomètre au point de connexion entre le conduit d'évacuation et le sèche-linge).

La sortie d'évacuation est située au centre de la partie arrière du sèche-linge.

Le conduit d'évacuation ne doit pas être connecté ou fixé avec des vis ou avec tout autre dispositif de serrage qui se prolonge à l'intérieur du conduit et retient les peluches. Ne pas utiliser de ruban adhésif pour conduit.

La conception du système d'évacuation doit permettre à toute condensation formée pendant le fonctionnement de l'appareil d'être retenue ou évaporée ou encore évacuée. En suivant ces instructions d'installation, ces exigences sont convenablement respectées.

Les sèche-linge à gaz ne devraient être installés que dans une pièce conforme aux exigences en matière de ventilation énoncées dans les règlements d'installation nationaux. S'assurer que la pièce dans laquelle se trouve le sèche-linge comporte une entrée d'air de taille suffisante pour l'évacuation des gaz de combustion et le séchage. Une fenêtre ou un système de ventilation équivalent doit être ouvert dans la pièce dans laquelle se trouve le sèche-linge (il peut aussi s'agir d'une grille d'aération modulable, d'un panneau articulé ou d'un autre système de ventilation donnant directement sur l'extérieur).

## Longueur du système d'évacuation

La longueur maximale du système d'évacuation dépend du type de conduit utilisé, du nombre de coudes et du type de clapet d'évacuation. La longueur maximale des conduits rigides et flexibles est illustrée sur le tableau.

### Longueur maximale du conduit

Clapets d'évacuation – Diamètre de 102 mm (4")



### Conduit métallique rigide

Nbre de changements de direction à 90°	Clapet de type boîte et à persiennes	Clapet incliné
0	15,8 m (52 pi)	13,4 m (44 pi)
1	13,4 m (44 pi)	11,0 m (36 pi)
2	11,0 m (36 pi)	8,5 m (28 pi)
3	8,2 m (27 pi)	6,4 m (21 pi)
4	6,1 m (20 pi)	4,3 m (14 pi)

Pour les systèmes d'évacuation non illustrés dans le tableau de spécifications des conduits (notamment les raccordements multiples, les plenums, et les ventilateurs motorisés), voir dans le Manuel d'entretien Whirlpool la section "Evacuation des sèche-linge Whirlpool", pièce n° LIT603197, disponible chez votre revendeur de pièces Whirlpool.

Si le sèche-linge est installé dans une zone confinée, telle qu'une chambre, une salle de bain ou un placard, prévoir un espace suffisant pour la combustion et la ventilation de l'air. (Vérifier les dispositions des codes et règlements en vigueur.) Voir "Instructions d'installation dans un encastrement ou un placard" dans la section "Exigences d'emplacement".

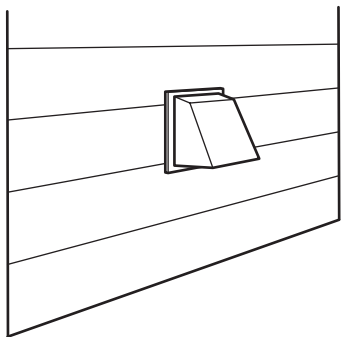
Il est préférable d'utiliser un clapet d'évacuation de 102 mm (4"). Cependant, on peut utiliser un clapet d'évacuation de 64 mm (2 1/2"). Une sortie de 64 mm (2 1/2") cause davantage de contre-pression que les autres types d'installation. Pour une installation permanente, un système d'évacuation fixe est requis.



# INSTRUCTIONS D'INSTALLATION - SECHE-LINGE A GAZ

## Installation du dispositif d'évacuation

1. Installer le clapet d'évacuation. Calfeutrer l'ouverture murale à l'extérieur, autour du clapet d'évacuation.



2. Raccorder le conduit d'évacuation au clapet. (Le conduit d'évacuation DOIT s'insérer dans le clapet.) Fixer ensemble le conduit et le clapet avec une bride de 102 mm (4").
3. Acheminer le conduit d'évacuation jusqu'à l'emplacement du sèche-linge. Utiliser l'itinéraire le plus rectiligne possible. Éviter les changements de direction à 90°. Utiliser des brides de 102 mm (4") pour fixer les pièces du conduit. Des cisailles de ferblantier peuvent être nécessaires pour couper le conduit à la longueur désirée.

## Préparation du sèche-linge

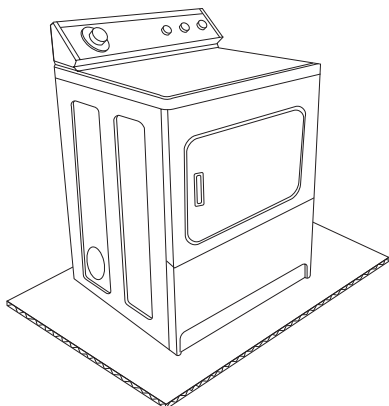
### **⚠ AVERTISSEMENT**

#### Risque du poids excessif

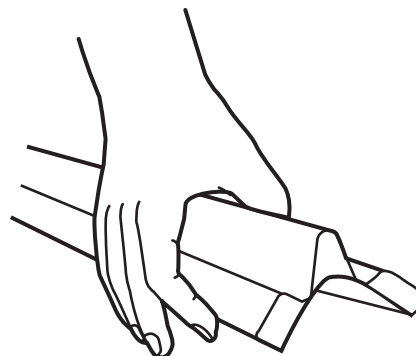
Utiliser deux ou plus de personnes pour déplacer et installer le sèche-linge.

Le non-respect de cette instruction peut causer une blessure au dos ou d'autre blessure.

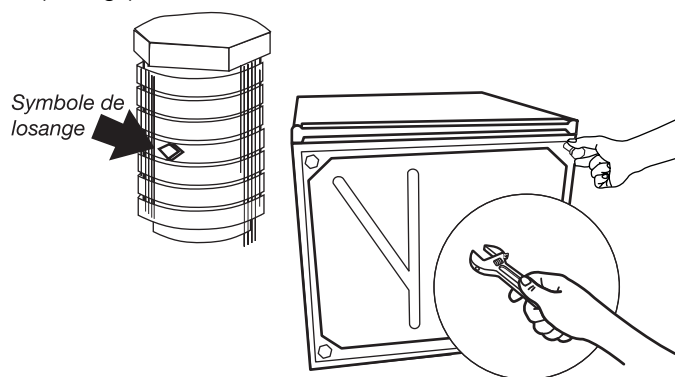
1. Retirer le ruban adhésif de la caisse du sèche-linge. Ouvrir la porte du sèche-linge et retirer le ruban adhésif du tambour. (Tous les tambours de sèche-linge ne sont pas couverts de ruban adhésif.) Retirer la grille de séchage, si présente. Tourner le tambour du sèche-linge dans le sens inverse des aiguilles d'une montre pour s'assurer que tout le ruban adhésif a été retiré. Essuyer le tambour avec un chiffon humide pour retirer toute la poussière.



2. Placer deux cornières découpées dans le carton du sèche-linge sur le sol à l'arrière du sèche-linge. Agripper fermement le corps du sèche-linge et l'allonger doucement sur sa partie postérieure sur les cornières de carton.



3. Commencer à visser les pieds manuellement. Utiliser une clé à molette ou une clé à douille hexagonale de 25 mm (1") pour finir de fixer les pieds jusqu'à atteindre le bord du symbole (losange).



4. Placer le sèche-linge en position verticale sur le carton ou le panneau dur.

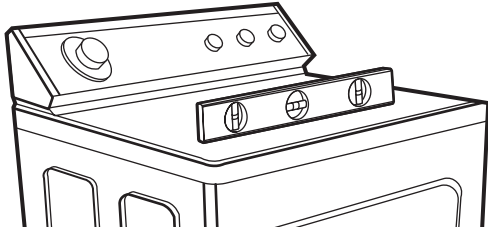
## Mise à niveau et évacuation du sèche-linge

Le sèche-linge doit être de niveau pour réduire le bruit et garantir un fonctionnement correct.

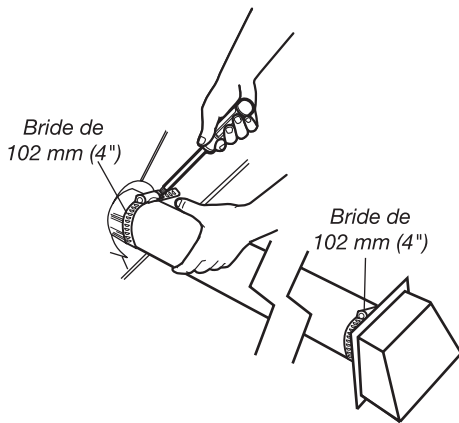
Faire glisser le sèche-linge sur le carton ou le panneau dur avant de le déplacer, pour éviter d'endommager le sol.

1. Approcher le sèche-linge de son emplacement final. Laisser suffisamment d'espace pour connecter le conduit d'évacuation. Retirer le carton ou le panneau dur situé sous le sèche-linge.

- Placer un niveau au-dessus du sèche-linge pour vérifier l'aplomb, d'un côté à l'autre puis de l'avant vers l'arrière. Si le sèche-linge n'est pas de niveau, ajuster les pieds vers le haut ou vers le bas.



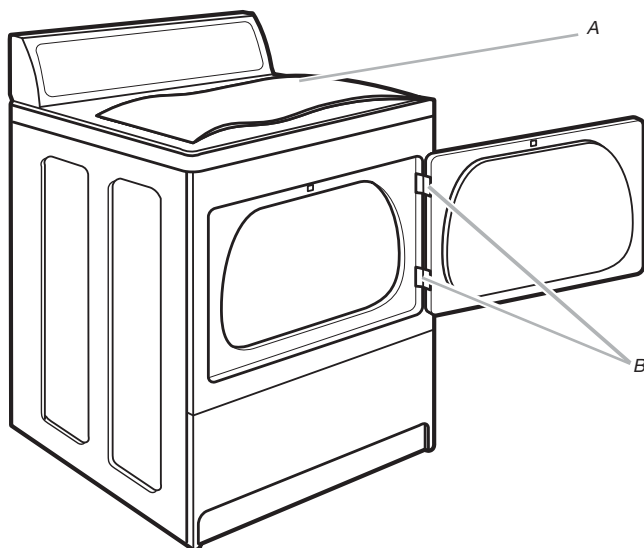
- Si les pieds ne sont pas assez longs pour obtenir un niveau correct du sèche-linge, commander un ensemble de pieds d'extension pour sèche-linge, pièce n° 279810 (deux pieds par ensemble), chez un revendeur.
- Connecter le conduit d'évacuation à la sortie d'évacuation du sèche-linge. Le conduit d'évacuation du sèche-linge doit être fixé sur la sortie d'évacuation du sèche-linge et inséré dans le clapet d'évacuation. Utiliser des brides de serrage pour conduit de 102 mm (4") pour calfeutrer tous les joints et fixer le conduit d'évacuation à la sortie d'évacuation du sèche-linge.



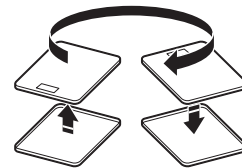
- Placer le sèche-linge à son emplacement final.

### Inversion du sens de l'ouverture de la porte (facultatif)

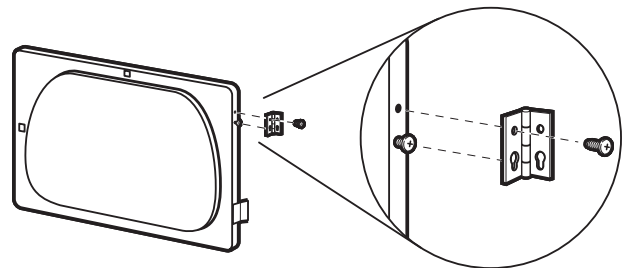
Le sens d'ouverture de la porte peut être changé du côté droit au côté gauche, si désiré.



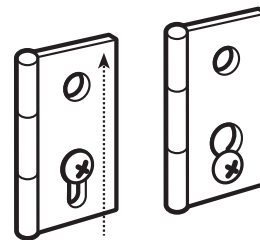
- Placer une serviette (A) sur le dessus du sèche-linge afin de protéger la surface.
- Ouvrir la porte du sèche-linge. Retirer les vis inférieures des charnières situées sur le côté du placard (B). Desserrer (sans les retirer) les vis supérieures des charnières situées sur le côté du placard.
- Soulever la porte jusqu'à ce que les vis supérieures du placard se trouvent dans la partie la plus large de la fente de la charnière. Tirer la porte vers l'avant pour la dégager des vis. Poser la porte (poignée vers le haut) sur le dessus du sèche-linge. Retirer les vis supérieures du placard.
- Enlever les vis fixant les charnières à la porte.
- Enlever les vis du dessus, du dessous et du côté de la porte (5 vis). En maintenant la porte sur une serviette au-dessus du sèche-linge, saisir les côtés de la porte extérieure et la soulever pour la séparer doucement de la porte intérieure. Ne pas la dégager à l'aide d'un couteau à mastic. Ne pas tirer sur le joint ou le loquet en plastique de la porte.
- S'assurer de maintenir la cale d'espacement en carton centrée entre les portes. Réinstaller le panneau de porte extérieur sur le panneau de porte intérieur de sorte que la poignée soit du côté où les charnières viennent d'être retirées.



- Fixer les charnières de porte à la porte du sèche-linge de façon à ce que la fente la plus grosse se trouve dans la partie inférieure de la charnière.



- Retirer les 4 vis fixant 2 bouchons du côté gauche. Fixer les bouchons du côté droit au moyen des 4 mêmes vis.
- Insérer les vis dans les fentes inférieures du côté gauche du placard. Resserrer les vis à moitié. Placer la porte de façon à ce que la plus grosse extrémité des fentes des charnières de porte se trouvent au-dessus des vis. Glisser la porte vers le haut afin que les vis se trouvent dans la partie inférieure des fentes. Resserrer les vis. Insérer les vis supérieures dans les charnières et serrer.



- Fermer la porte et vérifier que la gâche de la porte est alignée avec le loquet de la porte. Si nécessaire, glisser le loquet de porte vers la gauche ou la droite dans la fente afin d'ajuster l'alignement.

## Contrôle du fonctionnement

1. Vérifier que :
  - aucune étape n'a été oubliée.
  - toutes les pièces sont installées.
  - les pieds du sèche-linge sont correctement installés.
  - le sèche-linge est de niveau.
  - tous les joints du conduit d'évacuation sont fixés avec des brides de 102 mm (4").
  - tous les outils de départ sont présents.
2. Brancher le cordon d'alimentation dans la prise reliée à la terre ou connecter le conducteur directement à l'alimentation électrique. Ouvrir la source d'alimentation électrique.
3. Lire le Guide d'utilisation et d'entretien pour bien comprendre le fonctionnement de votre nouveau sèche-linge. Sélectionner un programme complet avec chaleur (pas le programme de séchage à l'air) et le bouton "PRESS PUSH TO START" (appuyer sur PUSH [pousser] pour démarrer). Le système d'allumage électronique du brûleur du sèche-linge à gaz est entièrement automatique; l'utilisateur n'a pas à intervenir (il n'y a pas de veilleuse).
4. Après cinq minutes, ouvrir la porte du sèche-linge. On doit ressentir de la chaleur à l'intérieur du sèche-linge.

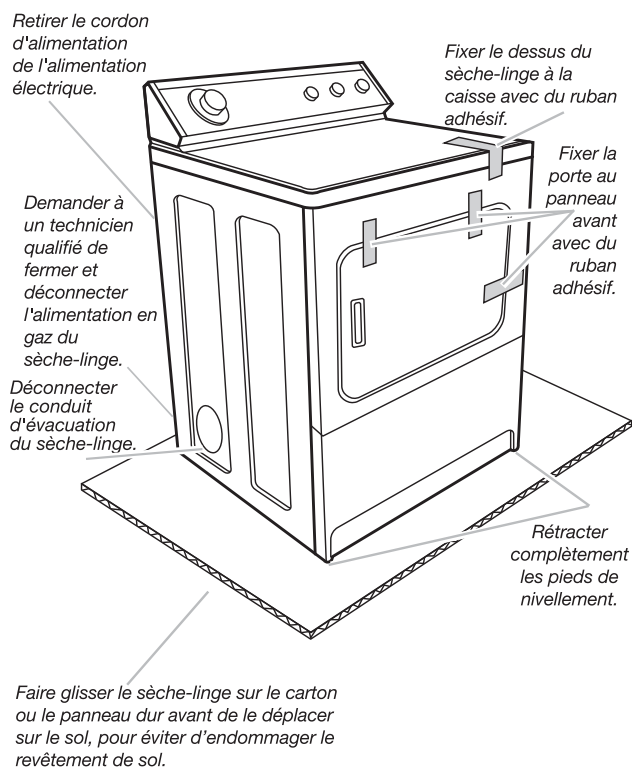
Si le brûleur ne s'allume pas et qu'on ne ressent pas de chaleur à l'intérieur du sèche-linge, éteindre le sèche-linge pendant 5 minutes, effectuer ensuite la vérification suivante :

- l'alimentation électrique est raccordée.
- les fusibles du domicile sont intacts et serrés; ou le disjoncteur n'est pas déclenché.
- la porte du sèche-linge est fermée.
- les commandes sont réglées à la position de marche ou sur "On" (marche).
- le bouton Start (mise en marche) a été enfoncé fermement.

Si le sèche-linge fait un bruit anormal, vérifier s'il est de niveau.

## Vous déménagez et déplacez votre sèche-linge dans une nouvelle habitation?

Consulter un électricien agréé pour vérifier que le voltage du nouveau domicile correspond au voltage spécifié à l'emplacement de la plaque signalétique.



## Caractéristiques techniques

220-240 V~50 Hz 1 ph 3 A max. IP24 Poids des vêtements : 9 kg max.		
Régulé en usine pour une utilisation avec du GAZ NATUREL : Taille de l'injecteur : 2,2 mm Apport brut de chaleur : 5,9 kW		
Pays d'Europe :	CZ, CY, ES, GB, GR, HR, IE, IT, PT, SI, SK, TR	CY, CZ, DK, EE, FI, GR, HU, IT, NO, RO, SE, SK, TR
Catégorie de gaz (Europe) :	II <sub>2</sub> H3+	II <sub>2</sub> H3B/P
Débit de gaz :	0.562703 m <sup>3</sup> /hr	0.562703 m <sup>3</sup> /hr
Pression d'alimentation (G20) :	20 mbar	20 mbar
Pression réglée en usine :	7,4 mbar	7,4 mbar
Avec trousse de conversion aux GPL : Taille de l'injecteur : 1,25 mm Apport brut de chaleur : 6,4 kW		
Pays d'Europe :	CZ, CY, ES, GB, GR, HR, IE, IT, PT, SI, SK, TR	CY, CZ, DK, EE, FI, GR, HU, IT, NO, RO, SE, SK, TR
Catégorie de gaz (Europe) :	II <sub>2</sub> H3+	II <sub>2</sub> H3B/P
Pression de l'alimentation en butane (G30) :	28-30 mbar	30 mbar
Pression ajustée :	S.O.	S.O.
Pression de l'alimentation en propane (G31) :	37 mbar	30 mbar
Pression ajustée :	S.O.	S.O.
Avec la trousse de conversion au GAZ NATUREL pour la France/Belgique : Taille de l'injecteur : 1,65 mm Apport brut de chaleur : 5,9 kW		
Pays d'Europe :	FR, BE	
Catégorie de gaz (Europe) :	I <sub>2</sub> E+	
Pression d'alimentation (G20) :	20 mbar	
Pression d'alimentation (G25) :	25 mbar	
Pression ajustée :	S.O.	
<b>REMARQUE :</b> Trousse de conversion : du gaz naturel au gaz propane : pièce Whirlpool n° W10233219. Trousse de conversion : du gaz naturel au gaz naturel (France/Belgique) : pièce Whirlpool n° W10184947. Fabricant : Whirlpool Corporation, Benton Harbor, Michigan 49022, É.-U.		

### W10115529A

© 2009 Whirlpool Corporation.  
All rights reserved.  
Todos los derechos reservados.  
Tous droits réservés.

2/09  
Printed in U.S.A.  
Impreso en EE. UU.  
Imprimé aux É.-U.