



REFRIGERATOR USER INSTRUCTIONS

THANK YOU for purchasing this high-quality product. If you should experience a problem not covered in TROUBLESHOOTING, please visit our website at www.whirlpool.com for additional information. If you still need assistance, call us at 1-800-253-1301. In Canada, visit our website at www.whirlpool.ca or call us at 1-800-807-6777.

You will need your model and serial number, located on the inside wall of the refrigerator compartment.

Para obtener acceso a "Instrucciones para el usuario del refrigerador" en español, o para obtener información adicional acerca de su producto, visite: www.whirlpool.com.

Necesitará su número de modelo y de serie, ubicado en el interior del compartimiento del refrigerador.

Table of Contents/Table des matières

REFRIGERATOR SAFETY.....	1	SÉCURITÉ DU RÉFRIGÉRATEUR	20
INSTALLATION INSTRUCTIONS	2	INSTRUCTIONS D'INSTALLATION	21
REFRIGERATOR USE	10	UTILISATION DU RÉFRIGÉRATEUR.....	30
REFRIGERATOR FEATURES	11	CARACTÉRISTIQUES DU RÉFRIGÉRATEUR	31
FREEZER FEATURES	12	CARACTÉRISTIQUES DU CONGÉLATEUR.....	32
DOOR FEATURES	13	CARACTÉRISTIQUES DE LA PORTE.....	33
REFRIGERATOR CARE.....	15	ENTRETIEN DU RÉFRIGÉRATEUR	35
TROUBLESHOOTING.....	16	DÉPANNAGE.....	36
ACCESSORIES	17	ACCESSOIRES	37
WATER FILTER CERTIFICATIONS	17	FEUILLE DE DONNÉES SUR LA PERFORMANCE	38
PERFORMANCE DATA SHEET	18	GARANTIE.....	39
WARRANTY.....	19		

REFRIGERATOR SAFETY

Your safety and the safety of others are very important.

We have provided many important safety messages in this manual and on your appliance. Always read and obey all safety messages.



This is the safety alert symbol.

This symbol alerts you to potential hazards that can kill or hurt you and others.

All safety messages will follow the safety alert symbol and either the word "DANGER" or "WARNING."

These words mean:

⚠ DANGER

You can be killed or seriously injured if you don't immediately follow instructions.

⚠ WARNING

You can be killed or seriously injured if you don't follow instructions.

All safety messages will tell you what the potential hazard is, tell you how to reduce the chance of injury, and tell you what can happen if the instructions are not followed.

IMPORTANT SAFETY INSTRUCTIONS

WARNING: To reduce the risk of fire, electric shock, or injury to persons when using the refrigerator, follow basic precautions, including the following:

- Plug into a grounded 3 prong outlet.
- Do not remove ground prong.
- Do not use an adapter.
- Do not use an extension cord.
- Disconnect power before servicing.
- Replace all parts and panels before operating.
- Remove doors from your old refrigerator.
- Use nonflammable cleaner.
- Keep flammable materials and vapors, such as gasoline, away from refrigerator.
- Use two or more people to move and install refrigerator.
- Disconnect power before installing ice maker (on ice maker kit ready models only).

SAVE THESE INSTRUCTIONS

Proper Disposal of Your Old Refrigerator

⚠ WARNING

Suffocation Hazard

Remove doors from your old refrigerator.

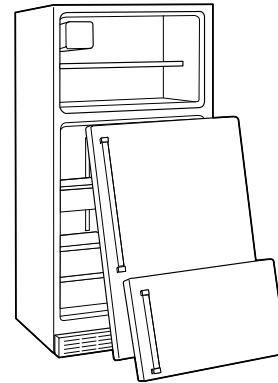
Failure to do so can result in death or brain damage.

IMPORTANT: Child entrapment and suffocation are not problems of the past. Junked or abandoned refrigerators are still dangerous – even if they will sit for “just a few days.” If you are getting rid of your old refrigerator, please follow these instructions to help prevent accidents.

Before You Throw Away Your Old Refrigerator or Freezer:

- Take off the doors.

Leave the shelves in place so that children may not easily climb inside.



Important information to know about disposal of refrigerants:

Dispose of refrigerator in accordance with Federal and Local regulations. Refrigerants must be evacuated by a licensed, EPA certified refrigerant technician in accordance with established procedures.

INSTALLATION INSTRUCTIONS

Unpack the Refrigerator

⚠ WARNING

Excessive Weight Hazard

Use two or more people to move and install refrigerator.

Failure to do so can result in back or other injury.

Remove the Packaging

IMPORTANT: Do not remove the white foam air return insert from behind the control panel on the ceiling of the refrigerator. If the insert is removed, ice may migrate down from the freezer and cause icicles to form.

- Remove tape and glue residue from surfaces before turning on the refrigerator. Rub a small amount of liquid dish soap over the adhesive with your fingers. Rinse with warm water and dry with a soft cloth.

- Do not use sharp instruments, rubbing alcohol, flammable fluids, or abrasive cleaners to remove tape or glue. These products can damage the surface of your refrigerator. For more information see “Refrigerator Safety.”

When Moving Your Refrigerator:

Your refrigerator is heavy. When moving the refrigerator for cleaning or service, be sure to cover the floor with cardboard or hardboard to avoid floor damage. Always pull the refrigerator straight out when moving it. Do not wiggle or “walk” the refrigerator when trying to move it, as floor damage could occur.

Clean Before Using

After you remove all of the package materials, clean the inside of your refrigerator before using it. See the cleaning instructions in "Refrigerator Care."

Important information to know about glass shelves and covers:

Do not clean glass shelves or covers with warm water when they are cold. Shelves and covers may break if exposed to sudden temperature changes or impact, such as bumping. Tempered glass is designed to shatter into many small, pebble-size pieces. This is normal. Glass shelves and covers are heavy. Use both hands when removing them to avoid dropping.

Location Requirements

⚠️ WARNING



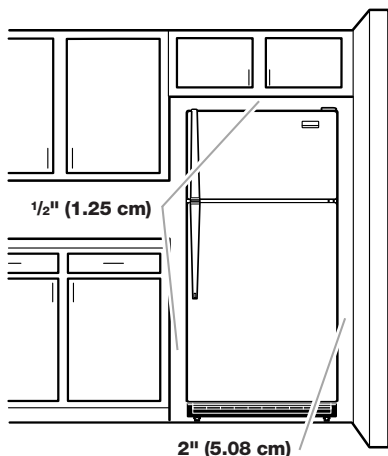
Explosion Hazard

Keep flammable materials and vapors, such as gasoline, away from refrigerator.

Failure to do so can result in death, explosion, or fire.

To ensure proper ventilation for your refrigerator, allow for ½" (1.25 cm) of space on each side and at the top. Allow for 1" (2.54 cm) of space behind the refrigerator. If your refrigerator has an ice maker, allow extra space at the back for the water line connections. When installing your refrigerator next to a fixed wall, leave a 2" (5.08 cm) minimum space on the hinge side (some models require more) to allow the door to swing open.

NOTE: This refrigerator is intended for use in a location where the temperature ranges from a minimum of 55°F (13°C) to a maximum of 110°F (43°C). The preferred room temperature range for optimum performance, which reduces electricity usage and provides superior cooling, is between 60°F (15°C) and 90°F (32°C). It is recommended that you do not install the refrigerator near a heat source, such as an oven or radiator.



Electrical Requirements

⚠️ WARNING



Electrical Shock Hazard

Plug into a grounded 3 prong outlet.

Do not remove ground prong.

Do not use an adapter.

Do not use an extension cord.

Failure to follow these instructions can result in death, fire, or electrical shock.

Before you move your refrigerator into its final location, it is important to make sure you have the proper electrical connection.

Recommended Grounding Method

A 115 volt, 60 Hz., AC only, 15- or 20-amp fused, grounded electrical supply is required. It is recommended that a separate circuit serving only your refrigerator be provided. Use an outlet that cannot be turned off by a switch. Do not use an extension cord.

NOTE: Before performing any type of installation, cleaning, or removing a light bulb, turn the control (Thermostat, Refrigerator or Freezer Control depending on the model) to OFF and then disconnect the refrigerator from the electrical source. When you are finished, reconnect the refrigerator to the electrical source and reset the control (Thermostat, Refrigerator or Freezer Control depending on the model) to the desired setting. See "Using the Controls."

Water Supply Requirements

Gather the required tools and parts before starting installation. Read and follow the instructions provided with any tools listed here.

TOOLS NEEDED:

- Flat-blade screwdriver
- 1/4" Nut driver
- 7/16" and 1/2" Open-end or two adjustable wrenches
- 1/4" Drill bit
- Cordless drill

NOTE: Your refrigerator dealer has a kit available with a 1/4" (6.35 mm) saddle-type shutoff valve, a union, and copper tubing. Before purchasing, make sure a saddle-type valve complies with your local plumbing codes. Do not use a piercing-type or 3/16" (4.76 mm) saddle valve which reduces water flow and clogs more easily.

IMPORTANT:

- All installations must meet local plumbing code requirements.
- Use copper tubing and check for leaks. Install copper tubing only in areas where the household temperatures will remain above freezing.

Water Pressure

A cold water supply with water pressure of between 30 and 120 psi (207 and 827 kPa) is required to operate the water dispenser and ice maker. If you have questions about your water pressure, call a licensed, qualified plumber.

Reverse Osmosis Water Supply

IMPORTANT: The pressure of the water supply coming out of a reverse osmosis system going to the water inlet valve of the refrigerator needs to be between 30 and 120 psi (207 and 827 kPa).

If a reverse osmosis water filtration system is connected to your cold water supply, the water pressure to the reverse osmosis system needs to be a minimum of 40 to 60 psi (276 to 414 kPa). If the water pressure to the reverse osmosis system is less than 40 to 60 psi (276 to 414 kPa):

- Check to see whether the sediment filter in the reverse osmosis system is blocked. Replace the filter if necessary.
- Allow the storage tank on the reverse osmosis system to refill after heavy usage.

If you have questions about your water pressure, call a licensed, qualified plumber.

Connect the Water Supply

Read all directions before you begin.

IMPORTANT: If you turn the refrigerator on before the water line is connected, turn the ice maker OFF.

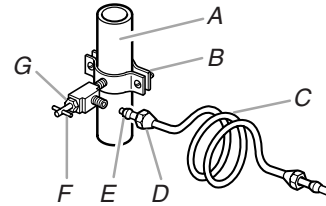
Connect to Water Line

1. Unplug refrigerator or disconnect power.
2. Turn OFF main water supply. Turn ON nearest faucet long enough to clear line of water.
3. Locate a 1/2" to 1 1/4" (1.25 cm to 3.18 cm) vertical cold water pipe near the refrigerator.

IMPORTANT:

- Make sure it is a cold water pipe.
- Horizontal pipe will work, but drill on the top side of the pipe, not the bottom. This will help keep water away from the drill and normal sediment from collecting in the valve.

4. Determine the length of copper tubing you need. Measure from the connection on the lower left rear of refrigerator to the water pipe. Add 7 ft (2.1 m) to allow for cleaning. Use 1/4" (6.35 mm) O.D. (outside diameter) copper tubing. Be sure both ends of copper tubing are cut square.
5. Using a cordless drill, drill a 1/4" hole in the cold water pipe you have selected.

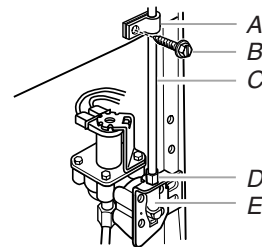


- A. Cold water pipe
- B. Pipe clamp
- C. Copper tubing
- D. Compression nut
- E. Compression sleeve
- F. Shutoff valve
- G. Packing nut

6. Fasten the shutoff valve to the cold water pipe with the pipe clamp. Be sure the outlet end is solidly in the 1/4" drilled hole in the water pipe and that the washer is under the pipe clamp. Tighten the packing nut. Tighten the pipe clamp screws slowly and evenly so washer makes a watertight seal. Do not overtighten or you may crush the copper tubing.
7. Slip the compression sleeve and compression nut on the copper tubing as shown. Insert the end of the tubing into the outlet end squarely as far as it will go. Screw compression nut onto outlet end with adjustable wrench. Do not overtighten.
8. Place the free end of the tubing in a container or sink, and turn ON the main water supply. Flush the tubing until water is clear. Turn OFF the shutoff valve on the water pipe. Coil the copper tubing.

Connect to Refrigerator

1. Unplug refrigerator or disconnect power.
2. Attach the copper tube to the valve inlet using a compression nut and sleeve as shown. Tighten the compression nut. Do not overtighten.
3. Use the tube clamp on the back of the refrigerator to secure the tubing to the refrigerator as shown. This will help avoid damage to the tubing when the refrigerator is pushed back against the wall.
4. Turn shutoff valve ON.
5. Check for leaks. Tighten any connections (including connections at the valve) or nuts that leak.



- A. Tube clamp
- B. Tube clamp screw
- C. Copper tubing
- D. Compression nut
- E. Valve inlet

6. The ice maker is equipped with a built-in water strainer. If your water conditions require a second water strainer, install it in the 1/4" (6.35 mm) water line at either tube connection. Obtain a water strainer from your nearest appliance dealer.

Complete the Installation

⚠ WARNING



Electrical Shock Hazard

Plug into a grounded 3 prong outlet.

Do not remove ground prong.

Do not use an adapter.

Do not use an extension cord.

Failure to follow these instructions can result in death, fire, or electrical shock.

1. Plug into a grounded 3 prong outlet.

NOTE: Allow 24 hours to produce the first batch of ice. Discard the first three batches of ice produced. Allow 3 days to completely fill ice container.

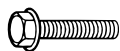
Refrigerator Doors

TOOLS NEEDED: 5/16" hex head socket wrench, Torx®† T27 screwdriver, #2 Phillips screwdriver, flat-blade screwdriver, 5/16" open-end wrench, flat 2" putty knife.

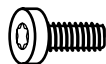
IMPORTANT:

- Before you begin, turn the refrigerator control OFF, unplug refrigerator or disconnect power. Remove food and any adjustable door or utility bins from doors.
- If you are only removing and replacing the doors, the instructions are the same regardless of door style. See "Remove Doors and Hinges" and "Replace Doors and Hinges" later in this section.
- Depending on your model, you may have standard **Style 1** or contour **Style 2** doors. If you are also going to reverse the door swing, follow the instructions for the appropriate door style.
- All graphics referenced in the following instructions are included later in this section after "Final Steps."

Remove Doors and Hinges



5/16" Hex Head Hinge Screw



12-24 Torx®† Head Screw

1. Unplug refrigerator or disconnect power.
2. Open refrigerator door and remove base grille from the bottom front of the refrigerator. See Base Grille graphic.

3. Close the refrigerator door and keep both doors closed until you are ready to lift them free from the cabinet.
NOTE: Provide additional support for the doors while the hinges are being moved. Do not depend on the door magnets to hold the doors in place while you are working.

4. Remove the parts for the top hinge as shown in Top Hinge graphic. Lift the freezer door free from the cabinet.
5. Remove the parts for the center hinge as shown in the Center Hinge graphic. Lift the refrigerator door free from the cabinet.
6. Remove the parts for the bottom hinge as shown in the Bottom Hinge graphic.

NOTE: For 21 cu ft models, remove both the bottom hinge assembly and the leveling foot.

IMPORTANT: If you want to reverse your doors so that they open in the opposite direction, continue with the "Reverse Doors (optional)" instructions. If you are not reversing the doors, see "Replace Doors and Hinges."

Reverse Doors (optional)

To purchase a reversibility kit, which includes a new nameplate and door hole covers, order part number W10395148. See "Accessories" for contact information.

Style 1—Standard Doors

See complete **Style 1** graphics later in this section.



Door Stop Screw



Door Hinge Hole Plug



Door Handle Sealing Screw



Cabinet Hinge Hole Plug



Flat-Head Handle Screw



Door Handle Screw Cover



Door Handle Seal Screw Front



Round-Head Handle Screw

Cabinet

1. Remove 5/16" hex head hinge screws from handle side and move them to opposite side. See Graphic 1-1.
2. Remove cabinet hinge hole plugs from cabinet top and move them to opposite side hinge holes as shown in Graphic 1-2.

Freezer Door

1. Remove freezer handle assembly as shown. Keep all parts together. See Graphic 2.
2. Remove door hinge hole plug. Move to opposite side as shown in Graphic 3.
3. Remove door handle sealing screws. Move to opposite side of freezer door as shown in Graphic 4.
4. Remove door stop. Move to opposite side of freezer door as shown in Graphic 5.
5. Position handle on opposite side of freezer door. Assemble handles on door as shown in Graphic 2.
6. Tighten all screws. Set aside door until hinges and refrigerator compartment door are in place.

†TORX is a registered trademark of Saturn Fasteners, Inc.

Refrigerator Door

1. Remove refrigerator handle assembly as shown. Keep all parts together. See Graphic 6-1.
2. Remove shoulder handle screw from refrigerator door as shown. Keep all parts together. See Graphic 6-2.
3. Remove door hinge hole plug from refrigerator door. Move to opposite side hinge hole as shown in Graphic 3.
4. Remove door handle sealing screws. Move to opposite side of refrigerator door as shown in Graphic 4.
5. Remove door handle seal screw front. Move to opposite side of refrigerator door as shown in Graphic 7.
6. Position shoulder handle screw on opposite side of refrigerator door and drive screw as show in Graphic 6-2.
7. Remove door stop. Move to opposite side of refrigerator door as shown in Graphic 5.
8. Position refrigerator handle on opposite side of the refrigerator door as shown in Graphic 6-3. Drive top two screws in handle first. Align lower portion of handle and drive bottom screw.
9. Tighten all screws. Set aside refrigerator door until bottom hinge is installed on refrigerator.

Style 2–Contour Doors

Your model may have either plastic handles which extend from the door or cup handles which are recessed into the doors.

See complete **Style 2** graphics later in this section.



Plastic Handles - Extend from the Door (on some models)

Cabinet

1. Remove the 12-24 Torx[®] head hinge screws from handle side and move them to opposite side. See Graphic 1-1.
2. Remove cabinet hinge hole plugs from cabinet top and move them to opposite side hinge holes as shown in Graphic 1-2.

Freezer Door

1. Remove freezer handle assembly as shown. Keep all parts together. See Graphic 3.
2. Remove door hinge hole plug. Move to opposite side as shown in Graphic 4.
3. Remove door handle sealing screws. Move to opposite side of freezer door as shown in Graphic 7.
4. Remove door stop. Move to opposite side of freezer door as shown in Graphic 6.
5. Remove the hinge pin from the top hinge. Turn the hinge over so that it is pointing in the opposite direction and reinsert the hinge pin into the top hinge. See Graphic 2.

NOTE: When you reverse the door swing, a (left-hand side) top hinge cover is provided for your convenience.

6. Position handle on opposite side of freezer door. Assemble handles on door as shown in Graphic 3.
7. Tighten all screws. Set aside freezer door until hinges and refrigerator compartment door are in place.

Refrigerator Door

1. Remove refrigerator handle assembly as shown. Keep all parts together. See Graphic 5.
 2. Remove door hinge hole plug from refrigerator door. Move to opposite side hinge hole as shown in Graphic 4.
 3. Remove door handle sealing screws. Move to opposite side of refrigerator door as shown in Graphic 7.
 4. Remove door stop. Move to opposite side of refrigerator door as shown in Graphic 6.
 5. Position refrigerator handle on opposite side of the refrigerator door as shown in Graphic 5. Drive the top two screws in handle first. Align the lower portion of the handle and fasten it with the setscrew.
 6. Tighten all screws. Set aside refrigerator door until bottom hinge is installed on the opposite side of the refrigerator.
- NOTE:** For 21 cu ft models, transfer both the bottom hinge assembly and the leveling foot to the opposite side.

Cup Style Handles - Recessed into the Door (on some models)

Cabinet

1. Remove the 12-24 Torx[®] head screws from handle side and move them to opposite side. See Graphic 1-1.
2. Remove cabinet hinge hole plugs from the cabinet top and move them to opposite side hinge holes as shown in Graphic 1-2.

Doors

1. Remove door hinge hole plug from top of freezer door. Move to opposite side as shown in Graphic 3.
2. Remove door stop from both the freezer and refrigerator doors and move to the other side. See Graphic 5.

Replace Doors and Hinges

NOTES:

- Graphic may be reversed if door swing is reversed.
 - Provide additional support for the doors while the hinges are being moved. Do not depend on the door magnets to hold the doors in place while you are working.
1. Replace the parts for the bottom hinge as shown. Tighten screws. Replace the refrigerator door.
NOTE: For 21 cu ft models, install both the bottom hinge assembly and the leveling foot.
 2. Assemble the parts for the center hinge as shown and tighten all screws. See Center Hinge graphic. Replace the freezer door.
 3. Assemble the parts for the top hinge as shown in the Top Hinge graphic. Do not tighten the screws completely.
 4. Line up the doors so that the bottom of the freezer door aligns evenly with the top of the refrigerator door. Tighten all screws.

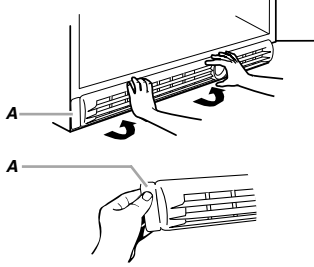
Final Steps

1. Check all holes to make sure that hole plugs and screws are in place. Reinstall top hinge cover. See Top Hinge graphic.
Style 1 - On the left-hand side of the base grille there is a removable tab which is a bottom hinge hole plug. Break off the tab from the base grille and insert the bottom hinge hole plug into the bottom hinge holes. See Base Grille graphic.
2. Replace the base grille. See Base Grille graphic.
3. Plug in refrigerator or reconnect power.
4. Reset the controls. See "Using the Controls."
5. Return all removable door parts to doors and food to refrigerator.

Style 1—Standard Door

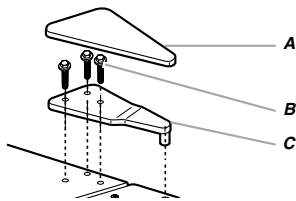
Door Removal & Replacement

Base Grille



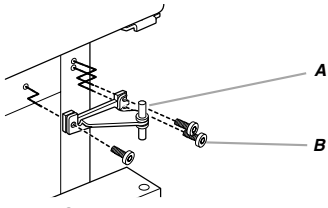
A. Bottom Hinge Hole Plug

Top Hinge



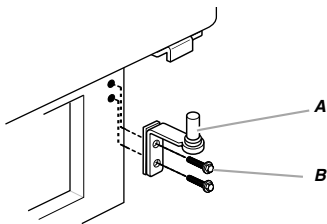
A. Top Hinge Cover
B. 1/16" Hex-Head Hinge Screws
C. Top Hinge

Center Hinge



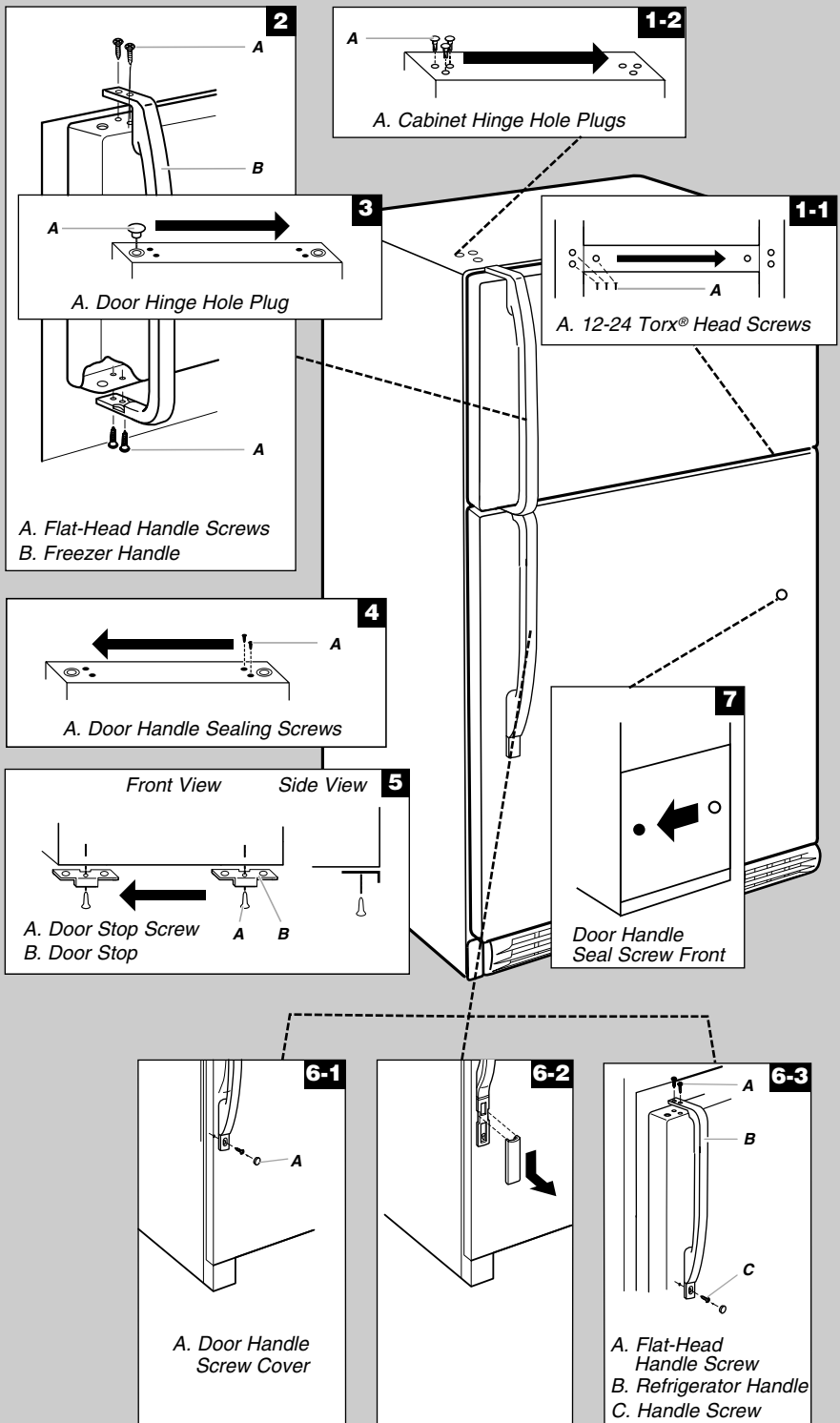
A. Center Hinge
B. 12-24 Torx® Head Screws

Bottom Hinge



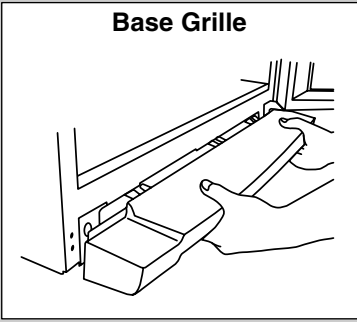
A. Bottom Hinge
B. 1/16" Hex-Head Hinge Screws

Door Swing Reversal (optional)

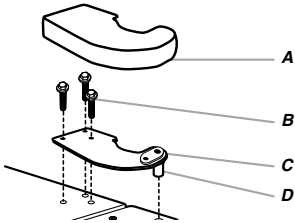


Door Removal & Replacement

Base Grille

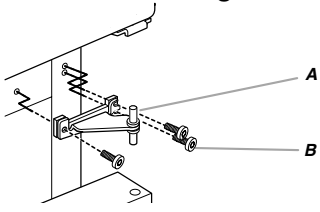


Top Hinge



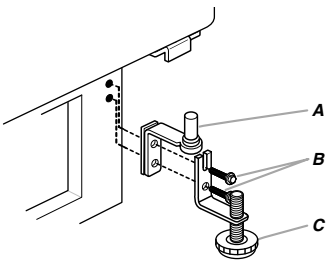
- A. Top Hinge Cover
- B. 5/16" Hex-Head Hinge Screws
- C. Top Hinge
- D. Hinge Pin

Center Hinge



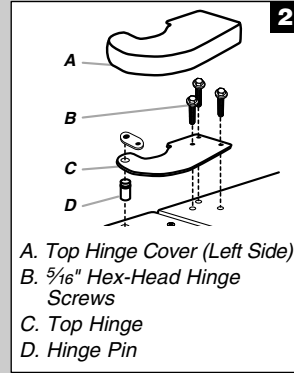
- A. Center Hinge
- B. 12-24 Torx® Head Screws

Bottom Hinge



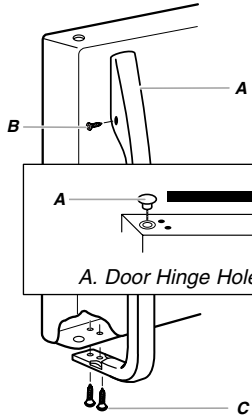
- A. Bottom Hinge
- B. Screws
- C. Leveling Leg (on some models)

Door Swing Reversal (optional)



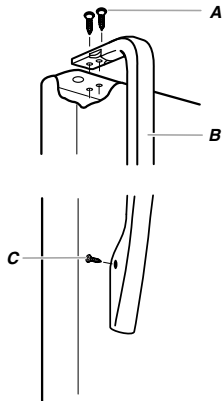
- A. Top Hinge Cover (Left Side)
- B. 5/16" Hex-Head Hinge Screws
- C. Top Hinge
- D. Hinge Pin

Plastic Handle 3



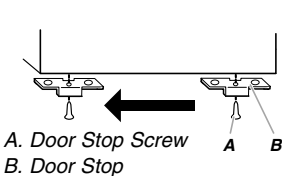
- A. Freezer Handle
- B. 1/4" Setscrew
- C. Flat-Head Handle Screws

Plastic Handle 5

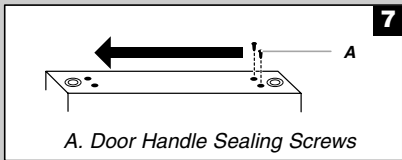
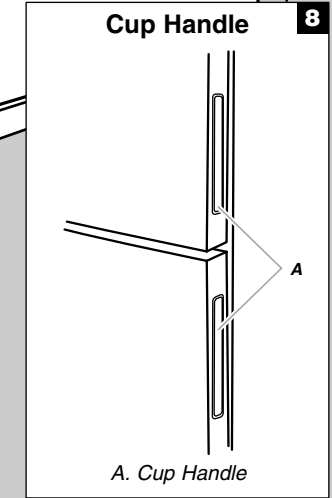
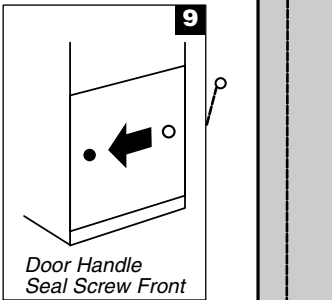
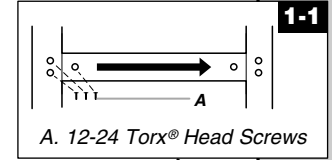
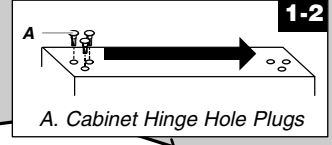


- A. Flat-Head Handle Screws
- B. Refrigerator Handle
- C. 1/4" Setscrew

Front View Side View 6



- A. Door Stop Screw
- B. Door Stop



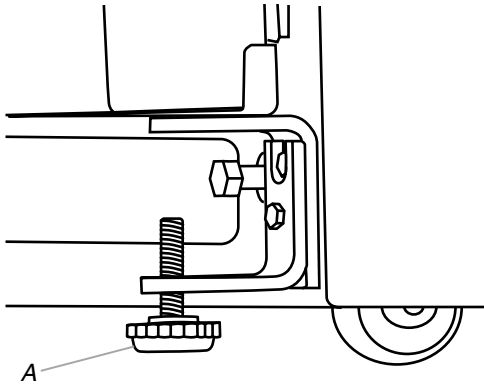
Adjust the Doors

Door Closing

Your refrigerator has two front adjustable rollers – one on the right and one on the left. If your refrigerator seems unsteady or you want the doors to close easier, adjust the refrigerator's tilt using the instructions below.

NOTE: 21 cu ft models have an additional leveling leg located in front of the right-hand roller assembly. After adjusting the refrigerator to the desired tilt, turn this leveling leg until it is firmly against the floor.

21 cu ft Models only

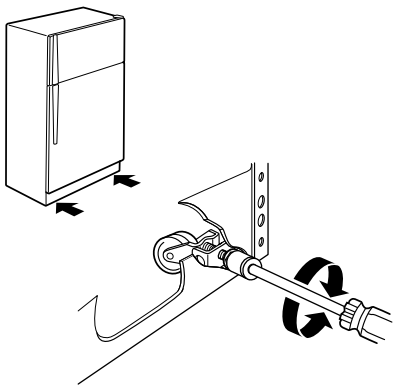


A. Leveling leg

IMPORTANT:

- To comply with American Disabilities Act (ADA) guidelines, fully retract the rollers into the cabinet to lower the refrigerator.
- 1. Remove the base grille. See the Base Grille graphic in "Refrigerator Doors." The two leveling screws are part of the front roller assemblies which are at the base of the refrigerator on either side.
- 2. Use a socket driver to adjust the leveling screws. Turn the leveling screw to the right to raise that side of the refrigerator or turn the leveling screw to the left to lower that side. It may take several turns of the leveling screws to adjust the tilt of the refrigerator.

NOTE: Having someone push against the top of the refrigerator takes some weight off the leveling screws and rollers which makes it easier to adjust.



- 3. Open both doors again to make sure they close as easily as you like and that they stay closed. If not, tilt the refrigerator slightly more to the rear by turning both leveling screws to the right. It may take several more turns.

NOTE: To keep the refrigerator level, you should turn both leveling screws the same amount.

- 4. Replace the base grille.

Align Doors

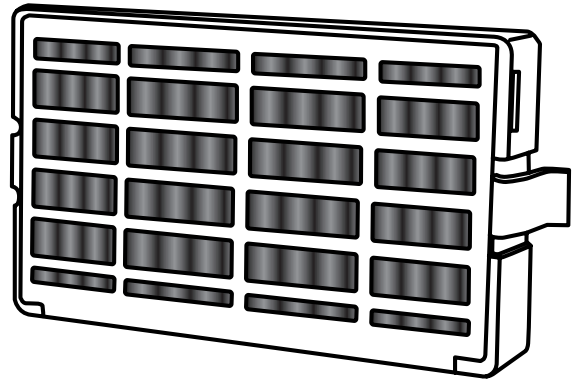
If the space between your doors looks uneven, you can adjust it using the instructions below:

1. Pry off the top hinge cover.
2. Loosen the top hinge screws using a $\frac{5}{16}$ " socket or wrench.
3. Have someone hold the door in place or put a spacer between the doors while you tighten the top hinge screws.
4. Replace the top hinge cover.

Install Air Filter

(on some models)

On some models, your refrigerator's accessory packet includes an air filter, which must be installed prior to use. On some models, the air filter is already installed at the factory.



The air filter reduces the buildup of odors. This helps to maintain a cleaner environment inside the refrigerator.

Installing the Air Filter (on some models)

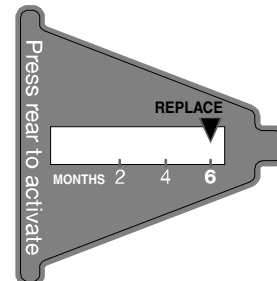
The filter should be installed behind the vented door, which is located (depending on your model) along either the rear or left interior wall near the top of the refrigerator compartment.

1. Remove the air filter from its packaging.
2. Lift open the vented door.
3. Snap the filter into place.

Air Filter Status Indicator (on some models)

Style 1 - Install Manual Air Filter Status Indicator

The filter comes with a status indicator, which should be activated and installed at the same time the air filter is installed.



1. Place the indicator face-down on a firm, flat surface.
2. Apply pressure to the bubble on the back of the indicator, until the bubble pops to activate the indicator.
3. Lift open the vented air filter door. On some models, there are notches behind the door.

On models with notches:

- Slide the indicator down into the notches, facing outward.
NOTE: The indicator will not easily slide into the notches if the rear bubble has not been popped.
- Close the air filter door, and check that the indicator is visible through the rectangular hole in the door.

On models without notches:

- Store the indicator in a visible place you will easily remember - either inside the refrigerator, or elsewhere in your kitchen or home.

Style 2 - Air Filter Status on Electronic Control Display

The control panel displays the Air Filter status.

- GOOD** - The air filter LED does not light up.
- REPLACE** - The air filter LED lights up constantly when the refrigerator door is open.
- EXPIRED** - The air filter LED lights up constantly and flashes when the refrigerator door is open.

After replacing the air filter, press and hold FILTERS RESET for 3 seconds. The filter icons will turn off. See "Using the Control(s)."

NOTE: At any filter status, pressing and holding FILTERS RESET for 3 seconds will reset the air filter status to good and the air filter LED will turn off.

Replacing the Air Filter

The disposable air filter should be replaced every 6 months, or when the status indicator air filter icon LED turns on and starts flashing when the refrigerator door is opened.

To order a replacement air filter, contact us using the assistance/service information following the warranty.

- Remove the old air filter by squeezing in on the side tabs.
- Remove the old status indicator.
- Install the new air filter and reset the status indicator using the instructions in the previous sections.

REFRIGERATOR USE

Using the Controls

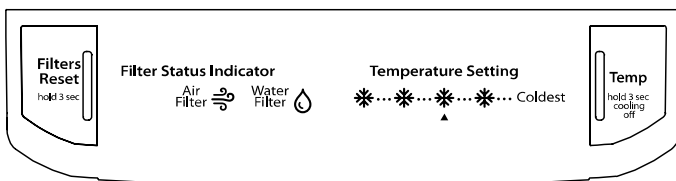
The temperature controls are located at the top front of the refrigerator or freezer compartments.

Temperature Controls

For your convenience, the temperature controls are preset at the factory. When you first install your refrigerator, make sure the controls are still set to the recommended setting as shown.

Style 1 - Electronic

Recommended Setting "3 Snowflakes"



Style 2 - Dial

Recommended Setting "3 Snowflakes"



IMPORTANT:

- The recommended setting should be correct for normal household refrigerator use. The controls are set correctly when milk or juice is as cold as you like and when ice cream is firm.
- Wait 24 hours for your refrigerator to cool completely before adding food. If you add food before the refrigerator has cooled completely, your food may spoil.
NOTE: Adjusting the refrigerator and freezer temperature controls to a colder than recommended setting will not cool the compartments any faster.
- If the temperature is too warm or too cold in the refrigerator or freezer, first check the air vents to be sure they are not blocked before adjusting the controls.

Adjusting Controls

If you need to adjust the temperature in either the refrigerator or freezer compartment, use the settings listed in the chart below as a guide.

Style 1 - Press the TEMP button to display the desired number of snowflakes from (1 least cold to 4 coldest).

Style 2 - Move the dial to the desired number of snowflakes from (1 least cold to 5 coldest).

NOTE: Except when starting the refrigerator, do not adjust either control more than one setting at a time. Wait 24 hours between adjustments for the temperature to stabilize.

CONDITION/REASON:	ADJUSTMENT:
REFRIGERATOR too warm	REFRIGERATOR Control one setting higher
FREEZER too warm/too little ice	FREEZER Control one setting higher
REFRIGERATOR too cold	REFRIGERATOR Control one setting lower
FREEZER too cold	FREEZER Control one setting lower

Cooling Off/On

Style 1 - Press and hold TEMP for 3 seconds to turn cooling off. To turn cooling back on, press and hold TEMP again for 3 seconds.

Style 2 - Move the dial control to the word OFF. To turn cooling back on, move the dial control to the desired temperature setting.

NOTE: Neither compartment will cool when the control is set to OFF.

Additional Features

Filters Reset (on some models)

The Filters Reset control allows you to restart the filter status tracking feature each time you replace the air filter or water filter.

- Press and hold FILTERS RESET for 3 seconds. The filter icons will turn off. See "Install Air Filter" and "Water Filtration System."

REFRIGERATOR FEATURES

Your model may have some or all of these features.

Important information to know about glass shelves and covers:

Do not clean glass shelves or covers with warm water when they are cold. Shelves and covers may break if exposed to sudden temperature changes or impact, such as bumping. Tempered glass is designed to shatter into many small, pebble-size pieces. This is normal. Glass shelves and covers are heavy. Use both hands when removing them to avoid dropping.

Refrigerator Shelves

(Glass shelves on some models)

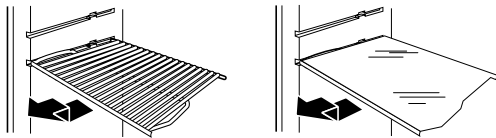
The shelves in your refrigerator are adjustable to match your individual storage needs.

Storing similar food items together in your refrigerator and adjusting the shelves to fit different heights of items will make it easier to find the exact item you want. It will also reduce the amount of time the refrigerator door is open, and save energy.

Shelves and Glass Shelves (on some models)

To remove and replace a shelf:

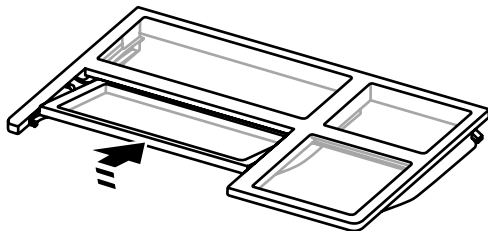
1. Remove items from the shelf.
2. Slide the shelf straight out to the stop.
3. Depending on your model, lift back or front of the shelf past the stop. Slide shelf out the rest of the way.
4. Replace the shelf by sliding the back of the shelf into the track in the wall of the cabinet.
5. Guide the front of the shelf into the shelf track. Be sure to slide the shelf in all the way.



Fold Away Shelf (on some models)

To remove and replace a shelf:

1. To remove the entire shelf, tilt up the front of the shelf and slide it out toward you.
2. To remove the front-half of the shelf, hold the front of the shelf with one hand and press up in the center of the shelf. Then push down and in on the shelf until it slides beneath the back half of the shelf.



3. Replace the entire shelf by guiding it into the door liner and pushing it inward until it stops. Then, tilt the front of the shelf upward until the stopper is overcome and slide it in.

Meat Drawer

(on some models)

To remove and replace the meat drawer:

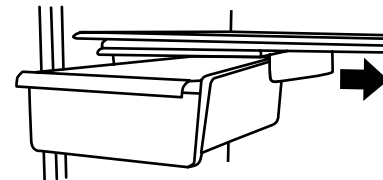
1. Slide meat drawer out to the stop.
2. Lift front of meat drawer with one hand while supporting bottom of drawer with other hand. Slide drawer out the rest of the way.
3. Replace the drawer by sliding it back in fully past the drawer stop.

Meat Drawer Cover (on some models)

To remove and replace the meat drawer cover:

1. Remove the meat drawer.
2. Push the cover back to release the rear clips from the shelf. Tilt the cover up at the front, and pull it forward.
3. Replace the meat drawer cover by fitting the notches and clips on the cover over the rear and center crossbars on the shelf.
4. Lower cover into place and pull the cover forward to secure the rear clips onto the shelf.
5. Replace the meat drawer.

NOTE: In some models the meat pan moves sideways on the shelf to allow for flexible positioning.



Meat Storage Guide

Store most meat in original wrapping as long as it is airtight and moisture-proof. Rewrap if necessary. See the following chart for storage times. When storing meat longer than the times given, freeze the meat.

Fresh fish or shellfish..... use same day as purchased
Chicken, ground beef, variety meats (liver)..... 1-2 days
Cold cuts, steaks/roasts 3-5 days
Cured meats..... 7-10 days
Leftovers - Cover leftovers with plastic wrap, aluminum foil, or plastic containers with tight lids.

Crisper

(on some models)

Crisper Drawers

To remove and replace the crisper drawer:

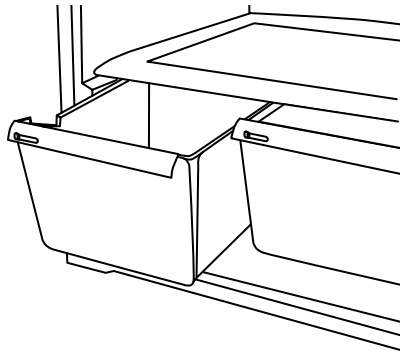
1. Slide the crisper drawer straight out to the stop. Lift the front and slide the drawer out the rest of the way.
2. Replace the drawer by sliding the drawer in fully past the stop.

Crisper Cover

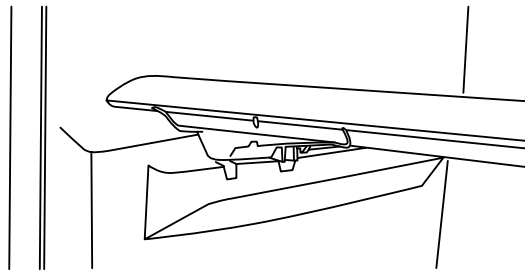
Style 1 - Plastic Cover

To remove and replace the crisper cover:

1. Remove the crisper(s).



2. Lift the front of the cover to remove the cover support. Then lift the cover up and slide it out.
3. Replace the cover by fitting the cover tabs into lowest cabinet slots and pushing them in. Lower the front retainers into place.



Style 2 - Glass Cover

To remove and replace the crisper cover:

1. Pull the glass straight out.
2. Replace the glass by pushing it straight in.

Crisper Humidity Control (on some models)

You can control the amount of humidity in the moisture-sealed crisper. Adjust the control to any setting between LOW and HIGH. LOW (open) lets moist air out of the crisper for best storage of fruits and vegetables with skins.

- Fruit: Wash, let dry and store in refrigerator in plastic bag or crisper. Do not wash or hull berries until they are ready to use. Sort and keep berries in original container in crisper, or store in a loosely closed paper bag on a refrigerator shelf.
- Vegetables with skins: Place in plastic bag or plastic container and store in crisper.

HIGH (closed) keeps moist air in the crisper for best storage of fresh, leafy vegetables.

- Leafy vegetables: Wash in cold water, drain and trim or tear off bruised and discolored areas. Place in plastic bag or plastic container and store in crisper.

FREEZER FEATURES

Your model may have some or all of these features.

Important information to know about glass shelves and covers:

Do not clean glass shelves or covers with warm water when they are cold. Shelves and covers may break if exposed to sudden temperature changes or impact, such as bumping. Tempered glass is designed to shatter into many small, pebble-size pieces. This is normal. Glass shelves and covers are heavy. Use both hands when removing them to avoid dropping.

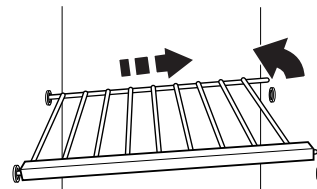
Wire Freezer Shelf

(on some models)

To remove and replace a wire shelf:

1. Remove the shelf by lifting the entire shelf slightly and moving it all the way to the left-hand side. Tilt the right-hand side up and out of the shelf supports.
2. Replace the shelf by inserting the left-hand end all the way into the shelf supports. Then, lower the right-hand end of the shelf and insert it into the shelf supports.

NOTE: The shelf should lower slightly and lock into place. If the shelf does not appear stable, make sure both ends of the shelf are inserted into the shelf supports.

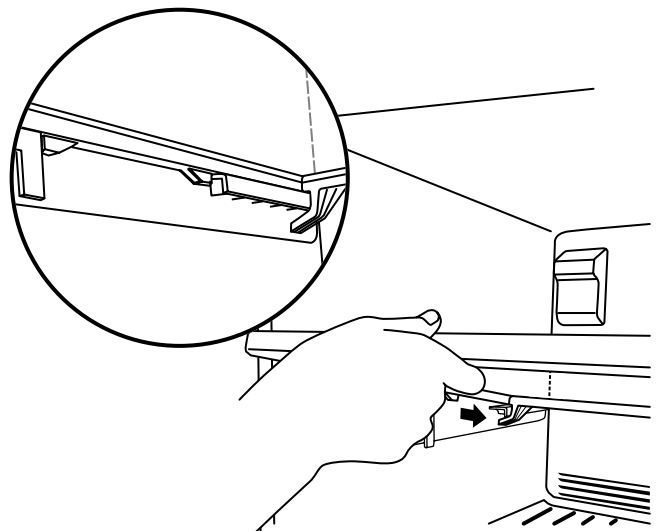


Glass Freezer Shelf

(on some models)

To remove and replace a glass shelf:

1. Lift the front of the shelf to raise the shelf tabs up and out of the opening in each shelf track. Slide the shelf out the rest of the way.
2. Replace the shelf by tilting the back end downward to align the back shelf tab under the track on each side of the freezer. Gently push the shelf into the freezer until the two center shelf tabs are positioned within the opening in each track. Lower the shelf to rest on the shelf tracks.



Frozen Food Storage Guide

Storage times will vary according to the quality and type of food, the type of packaging or wrap used (should be airtight and moisture-proof), and the storage temperature. Seal the package or container securely to avoid taste and odor transfer throughout the product. Ice crystals inside a sealed package are normal. This simply means that moisture in the food and air inside the package have condensed, creating ice crystals.

Put no more unfrozen food into the freezer than will freeze within 24 hours (no more than 2 to 3 lbs of food per cubic foot [907 to 1,350 g per L] of freezer space). Leave enough space in the freezer for air to circulate around packages. The freezer door must close tightly.

NOTE: For more information on preparing food for freezing, check a freezer guide or reliable cookbook.

DOOR FEATURES

Your model may have some or all of these features.

Door Rails

The door rails may be removed for easier cleaning.

Snap on Door Rails on some models)

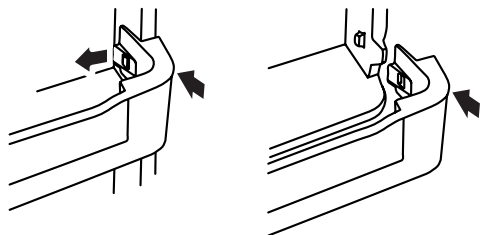
To remove and replace the rails:

1. Remove the door rails by pushing in slightly on the front of one end of the bracket while pulling out on the inside tab. Repeat these steps for the other end.
2. Replace the rails by aligning the ends of the brackets with the buttons on the sides of the door liner. Firmly snap bracket and assembly onto the tabs above the shelf as shown.

Style 1 - Door Rails



Style 2 - Trivets

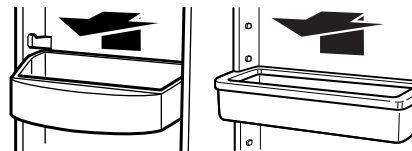


Door Bins

(on some models)

To remove and replace the racks/bins:

1. Remove the rack/bin by lifting it and pulling it straight out.
2. Replace the rack/bin by sliding it in above the desired support and pushing it down until it stops.

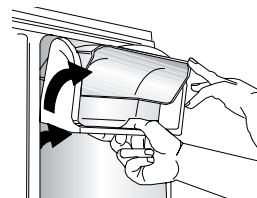


Utility Compartment and Can Caddy

(on some models)

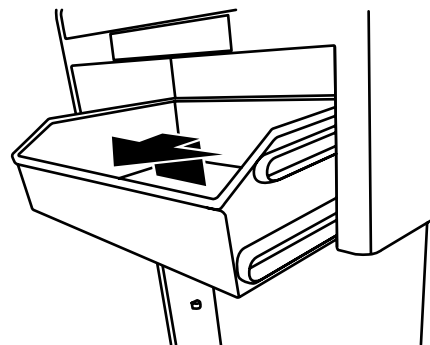
To remove and replace the utility compartment:

1. Remove the utility compartment by raising and holding the cover up while lifting the utility compartment up and pulling it straight out.
2. Replace the utility compartment by sliding it in above the desired support and pushing it down until it stops.



To remove and replace the can caddy:

1. Hold the can caddy with one hand and pull up until it is released from the door liner. Then, pull up on the caddy again, until the stoppers have been overcome.
2. Pull the can caddy straight out to remove it from the door.
3. Replace the can caddy by aligning the grooves on the sides with the pins in the door liner. Push up on the bottom of the caddy until the stoppers have been overcome, and slide it fully into the compartment.



Ice Maker

(on some models)

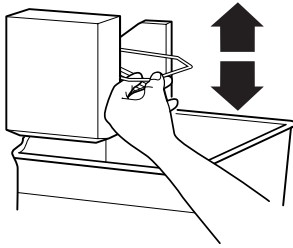
IMPORTANT: For models with a water filter, after connecting the refrigerator to a water source or replacing the water filter, fill and discard three full containers of ice to prepare the water filter for use.

Turning the Ice Maker On/Off

To turn the ice maker ON, simply lower the wire shutoff arm.

To manually turn the ice maker OFF, lift the wire shutoff arm to the OFF (arm up) position and listen for the click.

NOTE: Your ice maker has an automatic shutoff. As ice is made, the ice cubes will fill the ice storage bin and the ice cubes will raise the wire shutoff arm to the OFF (arm up) position. Do not force the wire shutoff arm up or down.



Ice Storage Bin

1. Wash the ice storage bin with mild soap and warm water.
2. Slide the ice storage bin under the ice maker, and push it toward the back as far as it will go.
3. Lower the arm on the ice maker to the “on” position.

NOTE: It usually takes approximately 24 hours for the ice maker to begin producing ice. You may notice the ice has an “off-taste.” If so, discard the first three batches of ice produced. After that the “off-taste” should be gone.

Ice Production Rate

- The ice maker should produce approximately 8 to 12 batches of ice in a 24-hour period. Allow 3 days to completely fill the ice container.
- To increase ice production, lower the freezer and refrigerator temperature. See “Using the Control(s).” Wait 24 hours between adjustments.

Remember

- The quality of your ice will be only as good as the quality of the water supplied to your ice maker. Avoid connecting the ice maker to a softened water supply. Water softener chemicals (such as salt) can damage parts of the ice maker and lead to poor quality ice. If a softened water supply cannot be avoided, make sure the water softener is operating properly and is well maintained.
- Do not use anything sharp to break up the ice in the bin. This can cause damage to the ice storage bin and the dispenser mechanism.
- Do not store anything on top of or in the ice maker or ice storage bin.

Water Filtration System

Do not use with water that is microbiologically unsafe or of unknown quality without adequate disinfection before or after the system. Systems certified for cyst reduction may be used on disinfected waters that may contain filterable cysts.

Water Filter Status Light

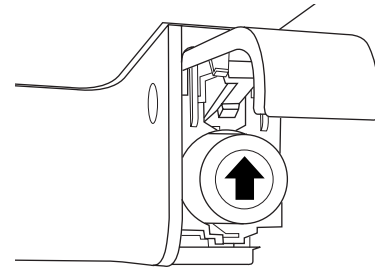
The water filter status light will help you know when to change your water filter.

- When it is time to order a replacement water filter, the water filter icon LED will light up whenever the refrigerator door is open.
- When it is time to replace the water filter, the water filter icon LED will light up and flash whenever the refrigerator door is open.

The disposable water filter should be replaced at least every 6 months, or sooner depending on your water quality and usage.

- After changing the water filter, reset the status. Press and hold the FILTERS RESET button for 3 seconds. When the system is reset, the water filter icon LED will turn off.

Changing the Water Filter



1. Locate the water filter in the top-right corner of the refrigerator compartment.
2. Lift open the filter cover door. The filter will be released and then eject as the door is opened.
3. When the door is completely open, pull the filter straight out.
NOTE: There may be some water in the filter. Some spilling may occur. Use a towel to wipe up any spills.
4. Take the new filter out of its packaging and remove the covers from the O-rings. Be sure the O-rings are still in place after the covers are removed.
5. With the arrow pointing up, align the new filter with the filter housing and slide it into place. The filter cover door will automatically begin to close as the new filter is inserted.
6. Close the filter cover door completely in order to snap the filter into place. You may need to press hard.
7. Make and discard three full containers of ice to prepare the water filter for use, before using the ice.

REFRIGERATOR CARE

Cleaning

⚠ WARNING



Explosion Hazard

Use nonflammable cleaner.

Failure to do so can result in death, explosion, or fire.

Both the refrigerator and freezer sections defrost automatically. However, clean both sections about once a month to avoid buildup of odors. Wipe up spills immediately.

IMPORTANT:

- Because air circulates between both sections, any odors formed in one section will transfer to the other. You must thoroughly clean both sections to eliminate odors. To avoid odor transfer and drying out of food, wrap or cover foods tightly.
- For stainless steel models, stainless steel is corrosion-resistant and not corrosion-proof. To help avoid corrosion of your stainless steel, keep your surfaces clean by using the following cleaning instructions.

To Clean Your Refrigerator:

NOTE: Do not use abrasive or harsh cleaners such as window sprays, scouring cleansers, flammable fluids, muriatic acid, cleaning waxes, concentrated detergents, bleaches or cleansers containing petroleum products on exterior surfaces (doors and cabinet), plastic parts, interior and door liners or gaskets. Do not use paper towels, scouring pads, or other harsh cleaning tools.

1. Unplug refrigerator or disconnect power.
2. Hand wash, rinse, and dry removable parts and interior surfaces thoroughly. Use a clean sponge or soft cloth and a mild detergent in warm water.
3. Clean the exterior surfaces.

Painted metal: Wash painted metal exteriors with a clean, soft cloth or sponge and a mild detergent in warm water. Rinse surfaces with clean, warm water and dry immediately to avoid water spots.

Stainless steel: Wash stainless steel surfaces with a clean, soft cloth or sponge and a mild detergent in warm water. Rinse surfaces with clean, warm water and dry immediately to avoid water spots.

NOTE: When cleaning stainless steel, always wipe in the direction of the grain to avoid cross-grain scratching.

4. There is no need for routine condenser cleaning in normal home operating environments. If the environment is particularly greasy or dusty, or there is significant pet traffic in the home, the condenser should be cleaned every 2 to 3 months to ensure maximum efficiency.

If you need to clean the condenser:

- Remove the base grille.
 - Use a vacuum cleaner with a soft brush to clean the grille, the open areas behind the grille and the front surface area of the condenser.
 - Replace the base grille when finished.
5. Plug in refrigerator or reconnect power.

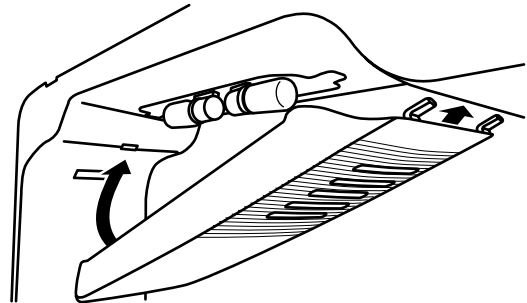
Changing the Light Bulbs

NOTE: Not all appliance bulbs will fit your refrigerator. Be sure to replace the bulb with an appliance bulb of the same size, shape, and wattage (no greater than 40 watts).

Style 1 - Electronic Control

The light bulbs are located at the top of the refrigerator compartment.

1. Unplug refrigerator or disconnect power.
2. Using both hands, squeeze inward on the sides of the light shield, releasing it from the back of the compartment. Then, move the shield toward the back to release it from the front of the compartment.
3. Remove the light bulb(s) and replace it with a 40 watt appliance bulb of the same size and shape.
4. Replace the light shield by inserting the front end into the compartment and then pushing up until it snaps into place.

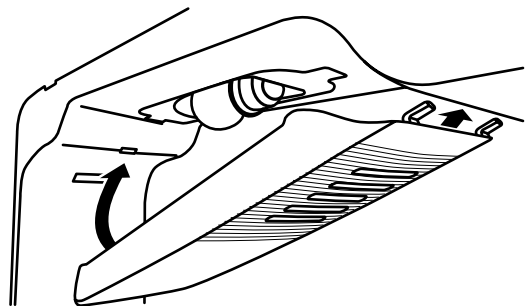


5. Plug in refrigerator or reconnect power.

Style 2 - Dial Control

The light bulb is located behind the control.

1. Unplug refrigerator or disconnect power.
2. Remove the light shield by squeezing in on the sides and pulling it straight down.
3. Remove the light bulb and replace it with a 40 watt appliance bulb of the same size and shape.
4. Replace the light shield.



5. Plug in refrigerator or reconnect power.

TROUBLESHOOTING

First try the solutions suggested here or visit our website and reference FAQs (Frequently Asked Questions) to possibly avoid the cost of a service call.

In the U.S.A., www.whirlpool.com In Canada, www.whirlpool.ca

Refrigerator Operation

The refrigerator will not operate

⚠ WARNING



Electrical Shock Hazard

Plug into a grounded 3 prong outlet.

Do not remove ground prong.

Do not use an adapter.

Do not use an extension cord.

Failure to follow these instructions can result in death, fire, or electrical shock.

- **Power cord unplugged?** Plug into a grounded 3 prong outlet.
- **Is outlet working?** Plug in a lamp to see if the outlet is working.
- **Household fuse blown or circuit breaker tripped?** Replace the fuse or reset the circuit breaker. If the problem continues, call an electrician.
- **Control(s) on?** Make sure the refrigerator control is on. See "Using the Control(s)."
- **New installation?** Allow 24 hours following installation for the refrigerator to cool completely.
NOTE: Adjusting the temperature control(s) to coldest setting will not cool the refrigerator more quickly.

The motor seems to run too much

Your new refrigerator may run longer than your old one due to its high-efficiency compressor and fans. The unit may run even longer if the room is warm, a large food load is added, the door is opened often, or if the door has been left open.

The refrigerator seems noisy

Refrigerator noise has been reduced over the years. Due to this reduction, you may hear intermittent noises from your new refrigerator that you did not notice from your old model. Below are listed some normal sounds with explanations.

- **Buzzing** - heard when the water valve opens to fill the ice maker
- **Pulsating** - fans/compressor adjusting to optimize performance.
- **Hissing/Rattling** - flow of refrigerant, movement of water lines, or from items placed on top of the refrigerator.
- **Sizzling/Gurgling** - water dripping on the heater during defrost cycle

- **Popping** - contraction/expansion of inside walls, especially during initial cool-down.
- **Water running/dripping** - may be heard when ice melts during defrosting and water runs into the drain pan.
- **Creaking/Cracking** - occurs as ice is being ejected from the ice maker mold.

The doors will not close completely or they pop open

- **Door blocked open?** Move food packages away from door.
- **Bin or shelf in the way?** Push bin or shelf back in the correct position.
- **Crisper cover in the way?** Make sure the crisper cover is fully pushed in, so that the back rests on the supports.
- **Refrigerator not tilted toward the rear?** So the doors will close easier, raise the front of the refrigerator so that it tilts slightly downward toward the rear. See "Adjust the Doors."
- **Door closed too quickly?** Close the door slowly and firmly to keep the door from popping open.

The door is difficult to open

⚠ WARNING



Explosion Hazard

Use nonflammable cleaner.

Failure to do so can result in death, explosion, or fire.

- **Gaskets dirty or sticky?** Clean gaskets and contact surfaces with mild soap and warm water. Rinse and dry with soft cloth.

Temperature and Moisture

Temperature is too warm

- **New installation?** Allow 24 hours following installation for the refrigerator to cool completely.
- **Door opened often or left open?** Allows warm air to enter refrigerator. Minimize door openings and keep door fully closed.
- **Large load of food added?** Allow several hours for refrigerator to return to normal temperature.
- **Control(s) set correctly for the surrounding conditions?** Adjust the control(s) a setting colder. Check temperature in 24 hours. See "Using the Control(s)."

There is interior moisture buildup

NOTE: Some moisture buildup is normal.

- **Humid room?** Contributes to moisture buildup.
- **Door opened often or left open?** Allows humid air to enter refrigerator. Minimize door openings and keep door fully closed.

Ice and Water

The ice maker is not producing ice or not enough ice

- **Refrigerator connected to a water supply and the supply shutoff valve turned on?** Connect refrigerator to water supply and turn water shutoff valve fully open.
- **Kink in the water source line?** A kink in the line can reduce water flow. Straighten the water source line.
- **Ice maker turned on?** Make sure wire shutoff arm or switch (depending on model) is in the ON position.
- **New installation?** Wait 24 hours after ice maker installation for ice production to begin. Allow 3 days to completely fill the ice container.
- **Large amount of ice recently removed?** Allow 24 hours for ice maker to produce more ice.
- **Ice cube jammed in the ice maker ejector arm?** Remove ice from the ejector arm with a plastic utensil.
- **Reverse osmosis water filtration system connected to your cold water supply?** This can decrease water pressure. See "Water Supply Requirements."

The ice cubes are hollow or small

NOTE: This is an indication of low water pressure.

- **Water shutoff valve not fully open?** Turn the water shutoff valve fully open.
- **Kink in the water source line?** A kink in the line can reduce water flow. Straighten the water source line.
- **Reverse osmosis water filtration system connected to your cold water supply?** This can decrease water pressure. See "Water Supply Requirements."
- **Questions remain regarding water pressure?** Call a licensed, qualified plumber.

Off-taste, odor or gray color in the ice

- **New plumbing connections?** New plumbing connections can cause discolored or off-flavored ice.
- **Ice stored too long?** Discard ice. Wash ice bin. Allow 24 hours for ice maker to make new ice.
- **Odor transfer from food?** Use airtight, moisture proof packaging to store food.
- **Are there minerals (such as sulfur) in the water?** A water filter may need to be installed to remove the minerals.

ACCESSORIES

The following accessories are available for your refrigerator. To order, contact us and ask for the part numbers. In the U.S.A., visit our webpage www.whirlpool.com/accessories or call **1-800-901-2042**. In Canada, visit our webpage www.whirlpoolparts.ca or call **1-800-807-6777**.

Stainless Steel Cleaner and Polish:

Order Part #4396095

Water Filter:

Order Part #W10295370 or FILTER1

Air Filter:

Order Part #W10311524 or AIR1

Ethylene Filter:

Order Part # W10346771A or FRESH1

Water Filter and Air Filter Bundle Pack:

Order Part # W10355212BL

Water Filter, Air Filter and Ethylene Filter Bundle Pack:

Order Part # W10365758BL

Reversibility Kit:

Order Part # W10395148

WATER FILTER CERTIFICATIONS

State of California
Department of Public Health
Water Treatment Device
Certificate Number
11 - 2069
Date Issued: March 15, 2011

Trademark/Model Designation
P5WB12NL

Replacement Elements
P4RFWB12

Manufacturer: Whirlpool Corp.

The water treatment device(s) listed on this certificate have met the testing requirements pursuant to Section 116830 of the Health and Safety Code for the following health related contaminants:

Microbiological Contaminants and Turbidity

Cysts

Inorganic/Radiological Contaminants

Asbestos

Lead

Organic Contaminants

Atrazine
Lindane
Toxaphene
2,4-D

Rated Service Capacity: 120 gallons

Rated Service Flow: 0.5 gpm

Conditions of Certification:

Do not use where water is microbiologically unsafe or with water of unknown quality, except that systems certified for cyst reduction may be used on disinfected waters that may contain filterable cysts.

PERFORMANCE DATA SHEET

Water Filtration System Model P5WB12NL/P4RFWB12 Capacity 120 Gallons (455 Liters)



System tested and certified by NSF International against NSF/ANSI Standard 42 for the reduction of Chlorine Taste and Odor, and Particulate Class I*; and against NSF/ANSI Standard 53 for the reduction of Live Cysts, Asbestos, Lead, Lindane, Toxaphene, Atrazine, and 2,4 - D.

This system has been tested according to NSF/ANSI Standards 42 and 53 for the reduction of the substances listed below. The concentration of the indicated substances in water entering the system was reduced to a concentration less than or equal to the permissible limit for water leaving the system, as specified in NSF/ANSI Standards 42 and 53.

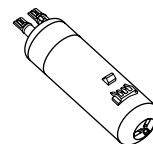
Substance Reduction Aesthetic Effects	NSF Reduction Requirements	Average Influent	Influent Challenge Concentration	Maximum Effluent	Minimum % Reduction	Average % Reduction
Chlorine Taste/Odor Particulate Class I*	50% reduction 85% reduction	2.0 mg/L 7,300,000 #/mL	2.0 mg/L ± 10% At least 10,000 particles/mL	0.20 mg/L 75,000 #/mL**	97 99	97.2 99.4
Contaminant Reduction	NSF Reduction Requirements	Average Influent	Influent Challenge Concentration	Maximum Effluent	Minimum % Reduction	Average % Reduction
Live Cysts [†]	99.95%	160,000/L	50,000/L min.	54/L [†]	99.97	99.99
Asbestos	99%	87 MFL	10 ⁷ to 10 ⁸ fibers/L ^{††}	0.17 MFL	99	99
Lead: @ pH 6.5 Lead: @ pH 8.5	0.010 mg/L 0.010 mg/L	0.160 mg/L 0.140 mg/L	0.15 mg/L ± 10% 0.15 mg/L ± 10%	0.001 mg/L 0.005 mg/L	99.4 98.6	99.4 98.6
Lindane	0.0002 mg/L	0.0019 mg/L	0.002 mg/L ± 10%	0.00002 mg/L	98.9	99
Toxaphene	0.003 mg/L	0.014 mg/L	0.015 mg/L ± 10%	0.001 mg/L	93	93
Atrazine	0.003 mg/L	0.0094 mg/L	0.009 mg/L ± 10%	0.0005 mg/L	94.5	94.7
2,4 - D	0.07 mg/L	0.220 mg/L	0.210 mg/L ± 10%	0.028 mg/L	87.5	96.1

Test Parameters: pH = 7.5 ± 0.5 unless otherwise noted. Flow = 0.5 gpm (1.9 Lpm). Pressure = 60 psig (413.7 kPa). Temp. = 68°F to 71.6°F (20°C to 22°C). Rated service capacity = 120 gallons (455 liters).

- It is essential that operational, maintenance, and filter replacement requirements be carried out for the product to perform as advertised.
- Use replacement filter P4RRWB/P4RFWB12, part #W10295370. 2011 suggested retail price of \$49.99 U.S.A./\$59.99 Canada. Prices are subject to change without notice.
 - Style 1** – When the water filter status display changes from “GOOD” to “ORDER,” order a new filter. When the filter indicator reads “REPLACE,” it is recommended that you replace the filter.
 - Style 2** – When the filter indicator changes from green to yellow, order a new filter. When the indicator changes from yellow to red, it is recommended that you replace the filter.
 - Style 3** – When the filter indicator reads 10%, order a new filter. When the indicator reads 0%, it is recommended that you replace the filter.
 - Style 4** - For models without a water dispenser, replace the disposable water filter every 6 months. The water filter indicator light will remind you when it is time to change the water filter.
- After changing the water filter, flush the water system. For filtered ice only, make and discard three full containers of ice to prepare the water filter for use.
- These contaminants are not necessarily in your water supply. While testing was performed under standard laboratory conditions, actual performance may vary.
- The product is for cold water use only.
- The water system must be installed in compliance with state and local laws and regulations.
- Do not use with water that is microbiologically unsafe or of unknown quality without adequate disinfection before or after the system. Systems certified for cyst reduction may be used on disinfected waters that may contain filterable cysts.
- Refer to the “Warranty” section for the Manufacturer’s name, address and telephone number.
- Refer to the “Warranty” section for the Manufacturer’s limited warranty.

Application Guidelines/Water Supply Parameters

Water Supply	City or Well
Water Pressure	30 - 120 psi (207 - 827 kPa)
Water Temperature	33° - 100°F (0.6° - 37.8°C)
Service Flow Rate	0.5 gpm (1.9 Lpm) @ 60 psi



*Class I particle size: >0.5 to <1 um

**Test requirement is at least 100,000 particles/mL of AC Fine Test Dust.

[†]Based on the use of *Cryptosporidium parvum* oocysts

^{††}Fibers greater than 10 um in length

WHIRLPOOL CORPORATION MAJOR APPLIANCE WARRANTY

LIMITED WARRANTY

For one year from the date of purchase, when this major appliance is operated and maintained according to instructions attached to or furnished with the product, Whirlpool Corporation or Whirlpool Canada LP (hereafter "Whirlpool") will pay for Factory Specified Parts and repair labor to correct defects in materials or workmanship that existed when this major appliance was purchased. Service must be provided by a Whirlpool designated service company. YOUR SOLE AND EXCLUSIVE REMEDY UNDER THIS LIMITED WARRANTY SHALL BE PRODUCT REPAIR AS PROVIDED HEREIN. This limited warranty is valid only in the United States or Canada and applies only when the major appliance is used in the country in which it was purchased. Proof of original purchase date is required to obtain service under this limited warranty.

ITEMS EXCLUDED FROM WARRANTY

This limited warranty does not cover:

1. Replacement parts or repair labor if this major appliance is used for other than normal, single-family household use or when it is used in a manner that is inconsistent to published user or operator instructions and/or installation instructions.
2. Service calls to correct the installation of your major appliance, to instruct you on how to use your major appliance, to replace or repair house fuses, or to correct house wiring or plumbing.
3. Service calls to repair or replace appliance light bulbs, air filters or water filters. Consumable parts are excluded from warranty coverage.
4. Damage resulting from accident, alteration, misuse, abuse, fire, flood, acts of God, improper installation, installation not in accordance with electrical or plumbing codes, or use of products not approved by Whirlpool.
5. Cosmetic damage, including scratches, dents, chips or other damage to the finish of your major appliance, unless such damage results from defects in materials or workmanship and is reported to Whirlpool within 30 days from the date of purchase.
6. Any food or medicine loss due to refrigerator or freezer product failures.
7. Pickup and delivery. This major appliance is intended to be repaired in your home.
8. Repairs to parts or systems resulting from unauthorized modifications made to the appliance.
9. Expenses for travel and transportation for product service if your major appliance is located in a remote area where service by an authorized Whirlpool servicer is not available.
10. The removal and reinstallation of your major appliance if it is installed in an inaccessible location or is not installed in accordance with Whirlpool's published installation instructions.
11. Replacement parts or repair labor on major appliances with original model/serial numbers that have been removed, altered or cannot be easily determined.
12. Discoloration, rust, or oxidation of stainless steel surfaces.

DISCLAIMER OF IMPLIED WARRANTIES

IMPLIED WARRANTIES, INCLUDING ANY IMPLIED WARRANTY OF MERCHANTABILITY OR IMPLIED WARRANTY OF FITNESS FOR A PARTICULAR PURPOSE, ARE LIMITED TO ONE YEAR OR THE SHORTEST PERIOD ALLOWED BY LAW. Some states and provinces do not allow limitations on the duration of implied warranties of merchantability or fitness, so this limitation may not apply to you. This warranty gives you specific legal rights, and you also may have other rights that vary from state to state or province to province.

LIMITATION OF REMEDIES; EXCLUSION OF INCIDENTAL AND CONSEQUENTIAL DAMAGES

YOUR SOLE AND EXCLUSIVE REMEDY UNDER THIS LIMITED WARRANTY SHALL BE PRODUCT REPAIR AS PROVIDED HEREIN. WHIRLPOOL SHALL NOT BE LIABLE FOR INCIDENTAL OR CONSEQUENTIAL DAMAGES. Some states and provinces do not allow the exclusion or limitation of incidental or consequential damages, so these limitations and exclusions may not apply to you. This warranty gives you specific legal rights, and you also may have other rights that vary from state to state or province to province.

If outside the 50 United States and Canada, contact your authorized Whirlpool dealer to determine if another warranty applies. 6/08

For additional product information, in the U.S.A., visit www.whirlpool.com
In Canada, visit www.whirlpool.ca

If you do not have access to the Internet and you need assistance using your product or you would like to schedule service, you may contact Whirlpool at the number below.

Have your complete model number ready. You can find your model number and serial number on the label, located on the inside wall of the refrigerator compartment.

For assistance or service in the U.S.A., call 1-800-253-1301. In Canada, call 1-800-807-6777.

If you need further assistance, you can write to Whirlpool with any questions or concerns at the address below:

In the U.S.A.:

Whirlpool Brand Home Appliances
Customer eXperience Center
553 Benson Road
Benton Harbor, MI 49022-2692

In Canada:

Whirlpool Brand Home Appliances
Customer eXperience Centre
200 – 6750 Century Ave.
Mississauga, Ontario L5N 0B7

Please include a daytime phone number in your correspondence.

Please keep these User Instructions and the model number information for future reference.



INSTRUCTIONS D'UTILISATION DU RÉFRIGÉRATEUR

Nous vous REMERCIONS d'avoir acheté ce produit de haute qualité. Si vous rencontrez un problème non mentionné dans la section DÉPANNAGE, veuillez visiter notre site Web www.whirlpool.com pour des informations supplémentaires. Si vous avez toujours besoin d'assistance, veuillez nous téléphoner au 1-800-253-1301. Au Canada, visitez notre site Web www.whirlpool.ca ou téléphonez-nous au 1-800-807-6777.

Vous aurez besoin de vos numéros de modèle et de série situés sur la paroi interne du compartiment de réfrigération.

SÉCURITÉ DU RÉFRIGÉRATEUR

Votre sécurité et celle des autres est très importante.

Nous donnons de nombreux messages de sécurité importants dans ce manuel et sur votre appareil ménager. Assurez-vous de toujours lire tous les messages de sécurité et de vous y conformer.



Voici le symbole d'alerte de sécurité.

Ce symbole d'alerte de sécurité vous signale les dangers potentiels de décès et de blessures graves à vous et à d'autres.

Tous les messages de sécurité suivront le symbole d'alerte de sécurité et le mot "DANGER" ou "AVERTISSEMENT". Ces mots signifient :

⚠ DANGER

Risque possible de décès ou de blessure grave si vous ne suivez pas immédiatement les instructions.

⚠ AVERTISSEMENT

Risque possible de décès ou de blessure grave si vous ne suivez pas les instructions.

Tous les messages de sécurité vous diront quel est le danger potentiel et vous disent comment réduire le risque de blessure et ce qui peut se produire en cas de non-respect des instructions.

IMPORTANTES INSTRUCTIONS DE SÉCURITÉ

AVERTISSEMENT : Pour réduire les risques d'incendie, de choc électrique ou des blessures lors de l'utilisation du réfrigérateur, prendre quelques précautions fondamentales, y compris les suivantes :

- Brancher l'appareil sur une prise à 3 alvéoles reliée à la terre.
- Ne pas enlever la broche de liaison à la terre.
- Ne pas utiliser un adaptateur.
- Ne pas utiliser un câble de rallonge.
- Débrancher la source de courant électrique avant l'entretien.
- Replacer pièces et panneaux avant de faire la remise en marche.
- Enlever les portes de votre vieux réfrigérateur.
- Utiliser un produit de nettoyage ininflammable.
- Garder les matériaux et les vapeurs inflammables, telle que l'essence, loin du réfrigérateur.
- Utiliser deux ou plus de personnes pour déplacer et installer le réfrigérateur.
- Débrancher le réfrigérateur avant l'installation de la machine à glaçons (seulement pour modèles prêts à recevoir une machine à glaçons).

CONSERVEZ CES INSTRUCTIONS

Mise au rebut appropriée de votre vieux réfrigérateur

⚠ AVERTISSEMENT

Risque de suffoquer

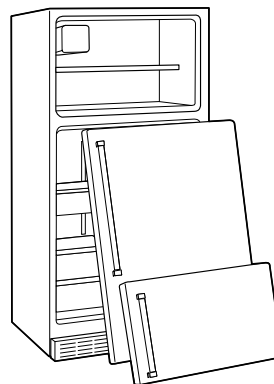
Enlever les portes de votre vieux réfrigérateur.

Le non-respect de cette instruction peut causer un décès ou des lésions cérébrales.

IMPORTANT : L'emprisonnement et l'étouffement des enfants ne sont pas un problème du passé. Les réfrigérateurs jetés ou abandonnés sont encore dangereux, même s'ils sont laissés abandonnés pendant "quelques jours seulement". Si vous vous débarrassez de votre vieux réfrigérateur, veuillez suivre les instructions suivantes pour aider à éviter les accidents.

Avant de jeter votre vieux réfrigérateur ou congélateur :

- Enlever les portes.
- Laisser les tablettes en place de sorte que les enfants ne puissent pas y pénétrer facilement.



Renseignements importants à propos de la mise au rebut des fluides réfrigérants :

Mettre le réfrigérateur au rebut conformément à la réglementation fédérale et locale. Les fluides réfrigérants doivent être évacués par un technicien licencié et certifié par l'EPA conformément aux procédures établies.

INSTRUCTIONS D'INSTALLATION

Déballage du réfrigérateur

⚠ AVERTISSEMENT

Risque du poids excessif

Utiliser deux ou plus de personnes pour déplacer et installer le réfrigérateur.

Le non-respect de cette instruction peut causer une blessure au dos ou d'autre blessure.

Retirer les matériaux d'emballage

IMPORTANT : Ne pas enlever le dispositif de refoulement de l'air en mousse blanche de derrière le panneau de commande sur le plafond du réfrigérateur. Si le dispositif est enlevé, de la glace peut se former en provenance du congélateur et causer la formation de glaçons.

- Enlever le ruban adhésif et tout résidu de colle du réfrigérateur avant de le mettre en marche. Frotter une petite quantité de savon liquide à vaisselle sur l'adhésif avec les doigts. Rincer à l'eau tiède et essuyer.
- Ne pas utiliser d'instruments coupants, d'alcool à friction, de liquides inflammables ou de nettoyants abrasifs pour enlever le ruban adhésif ou la colle. Ces produits peuvent endommager la surface de votre réfrigérateur. Pour plus de renseignements, voir "Sécurité du réfrigérateur".

Déplacement de votre réfrigérateur :

Votre réfrigérateur est lourd. Lors du déplacement de votre réfrigérateur pour le nettoyage ou un entretien ou réparation, veiller à recouvrir le plancher avec du carton ou un panneau de fibres dures pour éviter qu'il ne subisse tout dommage. Toujours tirer le réfrigérateur tout droit lors de son déplacement. Ne pas incliner le réfrigérateur d'un côté ou de l'autre ni le "faire marcher" en essayant de le déplacer car le plancher pourrait être endommagé.

Nettoyage avant l'utilisation

Après avoir enlevé tous les matériaux d'emballage, nettoyer l'intérieur du réfrigérateur avant de l'utiliser. Voir les instructions de nettoyage dans la section "Entretien du réfrigérateur".

Importants renseignements à savoir au sujet des tablettes et des couvercles en verre :

Ne pas nettoyer les tablettes ou couvercles en verre avec de l'eau tiède quand ils sont froids. Les tablettes et les couvercles peuvent se briser s'ils sont exposés à des changements soudains de température ou à un impact tel que coup brusque. Le verre trempé est conçu pour éclater en d'innombrables pièces minuscules. Ceci est normal. Les tablettes et les couvercles en verre sont lourds. Les saisir à deux mains lors de leur dépose afin d'éviter de les faire tomber.

Exigences d'emplacement

⚠ AVERTISSEMENT



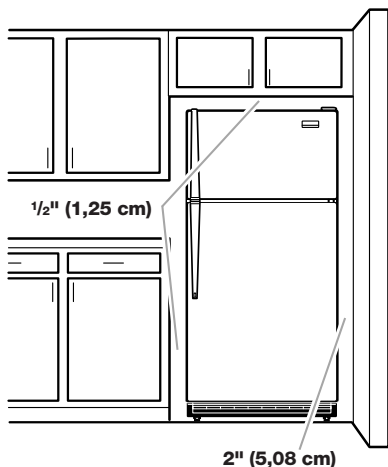
Risque d'explosion

Garder les matériaux et les vapeurs inflammables, telle que l'essence, loin du réfrigérateur.

Le non-respect de cette instruction peut causer un décès, une explosion ou un incendie.

Pour obtenir une aération appropriée pour votre réfrigérateur, laissez un espace de 1/2" (1,25 cm) de chaque côté et au sommet. Laissez un espace de 1" (2,54 cm) derrière le réfrigérateur. Si votre réfrigérateur comporte une machine à glaçons, s'assurer qu'un espace additionnel est prévu à l'arrière pour permettre les raccordements des conduits d'eau. En cas d'installation du réfrigérateur près d'un mur fixe, laisser un minimum de 2" (5,08 cm) du côté de la charnière (certains modèles nécessitent davantage d'espace) pour permettre à la porte de s'ouvrir sans obstruction.

REMARQUE : Ce réfrigérateur est conçu pour être utilisé dans un endroit où la température est comprise entre un minimum de 55°F (13°C) et un maximum de 110°F (43°C). La plage de température ambiante idéale pour une performance optimale est comprise entre 60°F (15°C) et 90°F (32°C). Respecter cette plage de température permet aussi de réduire la consommation d'électricité et d'optimiser l'efficacité du refroidissement. Il est recommandé de ne pas installer le réfrigérateur près d'une quelconque source de chaleur, tel un four ou un radiateur.



Spécifications électriques

⚠ AVERTISSEMENT



Risque de choc électrique

Brancher sur une prise à 3 alvéoles reliée à la terre.

Ne pas enlever la broche de liaison à la terre.

Ne pas utiliser un adaptateur.

Ne pas utiliser un câble de rallonge.

Le non-respect de ces instructions peut causer un décès, un incendie ou un choc électrique.

Avant de placer le réfrigérateur à son emplacement final, il est important de vous assurer d'avoir la connexion électrique appropriée.

Méthode recommandée de mise à la terre

Une source d'alimentation de 115 volts, 60 Hz, type 15 ou 20 ampères CA seulement, protégée par fusible et adéquatement mise à la terre, est nécessaire. Il est recommandé d'utiliser un circuit distinct pour alimenter uniquement votre réfrigérateur. Utiliser une prise murale qui ne peut pas être mise hors circuit à l'aide d'un commutateur. Ne pas utiliser un câble de rallonge.

REMARQUE : Avant d'exécuter tout type d'installation, nettoyage ou remplacement d'une ampoule d'éclairage, tourner la commande (réglage du thermostat, du réfrigérateur ou du congélateur selon le modèle) à OFF (arrêt) et déconnecter ensuite le réfrigérateur de la source d'alimentation électrique. Lorsque vous avez terminé, reconnecter le réfrigérateur à la source d'alimentation électrique et tourner de nouveau la commande (réglage du thermostat, du réfrigérateur ou du congélateur selon le modèle) au réglage désiré. Voir "Utilisation des commandes".

Spécifications de l'alimentation en eau

Rassembler les outils et pièces nécessaires avant de commencer l'installation. Lire et suivre les instructions fournies avec les outils indiqués ici.

OUTILLAGE REQUIS :

- Tournevis à lame plate
- Tourne-écrou de 1/4"
- Clés plates de 7/16" et 1/2" ou deux clés à molette
- Foret de 1/4"
- Perceuse sans fil

REMARQUE : Votre marchand de réfrigérateurs présente une trousse disponible avec un robinet d'arrêt à étrier de 1/4" (6,35 mm), un raccord et un tube en cuivre. Avant l'achat, s'assurer que le robinet d'arrêt à étrier est conforme à vos codes locaux de plomberie. Ne pas employer de robinet d'arrêt à étrier de 3/16" (4,76 mm) ou de type à percer, ce qui réduit le débit d'eau et cause une obstruction plus facilement.

IMPORTANT :

- Toutes les installations doivent être conformes aux exigences des codes locaux de plomberie.
- Utiliser un tube en cuivre et vérifier s'il y a des fuites. Installer les tubes en cuivre seulement à des endroits où la température se maintient au-dessus du point de congélation.

Pression de l'eau

Une alimentation en eau froide avec une pression entre 30 et 120 lb/po² (207 et 827 kPa) est nécessaire pour faire fonctionner le distributeur d'eau et la machine à glaçons. Si vous avez des questions au sujet de la pression de votre eau, appelez un plombier qualifié agréé.

Alimentation en eau par osmose inverse

IMPORTANT : La pression de l'alimentation en eau entre le système d'osmose inverse et la valve d'arrivée d'eau du réfrigérateur doit être entre 30 et 120 lb/po² (207 et 827 kPa).

Si un système de purification de l'eau par osmose inverse est raccordé à votre alimentation en eau froide, la pression de l'eau au système doit être d'un minimum de 40 à 60 lb/po² (276 à 414 kPa).

Si la pression de l'eau au système d'osmose inverse est inférieure à 40 à 60 lb/po² (276 à 414 kPa) :

- Vérifier si le filtre à sédiments du système d'osmose inverse est bloqué et le remplacer si nécessaire.
- Laisser le réservoir du système d'osmose inverse se remplir après une utilisation intense.

Si vous avez des questions au sujet de la pression de votre eau, appelez un plombier qualifié agréé.

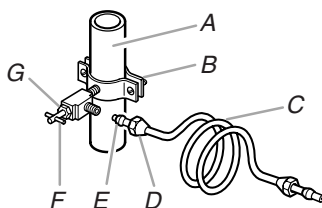
Raccordement de la canalisation d'eau

Lire toutes les instructions avant de commencer.

IMPORTANT : Si on doit utiliser le réfrigérateur avant qu'il soit raccordé à la canalisation d'eau, placer la commande de la machine à glaçons à la position OFF (arrêt).

Raccordement à une canalisation d'eau

1. Débrancher le réfrigérateur ou déconnecter la source de courant électrique.
 2. FERMER le robinet principal d'arrivée d'eau. OUVRIER le robinet de puisage le plus proche pendant une période suffisante pour que la canalisation d'eau se vide.
 3. Trouver une canalisation d'eau froide verticale de 1/2" à 1 1/4" (1,25 cm à 3,18 cm) près du réfrigérateur.
- IMPORTANT :**
- Assurez-vous qu'il s'agit d'un conduit d'eau froide.
 - Un conduit horizontal fonctionnera, mais percer par le dessus de la canalisation et non pas par le dessous. Ainsi, l'eau ne risquera pas d'arroser la perceuse. Ceci empêche également les sédiments qu'on trouve normalement dans l'eau de s'accumuler dans le robinet d'arrêt.
4. Pour déterminer la longueur du tube en cuivre, il faut mesurer la distance entre le point de connexion inférieur gauche à l'arrière du réfrigérateur et le tuyau d'arrivée d'eau. Ajouter une longueur de 7 pi (2,1 m) pour permettre le déplacement du réfrigérateur pour le nettoyage. Utiliser un tube en cuivre de 1/4" (6,35 mm) de diamètre extérieur. Veiller à ce que le tube soit coupé d'équerre aux deux extrémités.
 5. À l'aide d'une perceuse sans fil, percer un trou de 1/4" dans le tuyau de canalisation d'eau froide choisi.

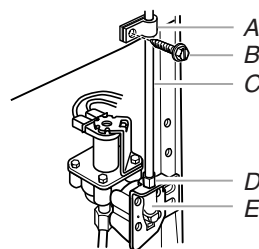


- A. Canalisation d'eau froide
- B. Bride de tuyau
- C. Tube en cuivre
- D. Écrou de compression
- E. Bague de compression
- F. Robinet d'arrêt
- G. Écrou de serrage

6. Fixer le robinet d'arrêt sur la canalisation d'eau froide avec la bride de tuyau. Vérifier que le raccord de sortie du robinet est bien engagé dans le trou de 1/4" percé dans la canalisation et que la rondelle d'étanchéité est placée sous la bride de tuyau. Serrer l'écrou de serrage. Serrer lentement et uniformément les vis de la bride de tuyau afin que la rondelle forme une jonction étanche. Ne pas serrer excessivement car ceci pourrait provoquer l'écrasement du tube en cuivre.
7. Enfiler l'écrou et la bague de compression du raccord sur le tube en cuivre comme on le voit sur l'illustration. Insérer l'extrémité du tube aussi loin que possible dans l'ouverture de sortie du robinet. Visser l'écrou de compression sur le raccord de sortie avec une clé à molette. Ne pas serrer excessivement.
8. Placer le bout libre du tube dans un contenant ou évier et OUVRIER le robinet principal d'arrivée d'eau et laisser l'eau s'écouler par le tube jusqu'à ce que l'eau soit limpide. FERMER le robinet principal d'arrivée d'eau. Enrouler le tube en cuivre en spirale.

Raccordement au réfrigérateur

1. Débrancher le réfrigérateur ou déconnecter la source de courant électrique.
2. Connecter le tube en cuivre au robinet d'arrivée d'eau en utilisant un écrou et une bague de compression tel qu'illustré. Serrer l'écrou de compression. Ne pas serrer excessivement.
3. Utiliser la bride du tube à l'arrière du réfrigérateur pour fixer le tube au réfrigérateur tel qu'illustré. Ceci aide à éviter d'endommager le tube lorsque le réfrigérateur est poussé contre le mur.
4. OUVRIER le robinet d'arrêt.
5. Inspecter pour rechercher les fuites. Serrer tous les raccords (y compris les raccords de la valve d'entrée d'eau) ou les écrous qui coulent.



- A. Bride du tube
- B. Vis de bride de tube
- C. Tube en cuivre
- D. Écrou de compression
- E. Valve d'entrée d'eau

6. La machine à glaçons est équipée d'un filtre à eau incorporé. Si la qualité de l'eau distribuée localement nécessite un deuxième filtre à eau, l'installer dans le tube de raccordement de 1/4" (6,35 mm) à l'une ou l'autre extrémité de la canalisation. On peut obtenir un tel filtre à eau chez le marchand d'appareils électroménagers le plus proche.

⚠️ AVERTISSEMENT



Risque de choc électrique

Brancher sur une prise à 3 alvéoles reliée à la terre.

Ne pas enlever la broche de liaison à la terre.

Ne pas utiliser un adaptateur.

Ne pas utiliser un câble de rallonge.

Le non-respect de ces instructions peut causer un décès, un incendie ou un choc électrique.

1. Brancher sur une prise à 3 alvéoles reliée à la terre.

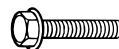
REMARQUE : Attendre 24 heures pour produire la première quantité de glaçons. Jeter les trois premières quantités de glaçons produites. Attendre 3 jours pour que le bac à glaçons se remplisse entièrement.

Portes du réfrigérateur

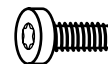
OUTILLAGE REQUIS : 5/16" Clé à douille à tête hexagonale, tournevis T27 Torx^{®†}, tournevis Phillips n° 2, tournevis à lame plate, clé plate de 5/16", couteau à mastic de 2".

IMPORTANT :

- Avant de commencer, tourner la commande du réfrigérateur à OFF (arrêt), débrancher le réfrigérateur ou déconnecter le courant. Retirer les aliments et tout balconnet ou compartiment utilitaire des portes du réfrigérateur.
- Si vous ne faites qu'enlever ou remplacer les portes, les instructions sont les mêmes quel que soit le style de porte. Voir "Enlever les portes et les charnières" et "Remplacer les portes et charnières" plus loin dans cette section.
- Selon le modèle, votre réfrigérateur peut comporter des portes standard **Style 1** ou contour **Style 2**. Pour inverser le sens d'ouverture de la porte, suivre les instructions concernant le style de porte adéquat.
- Toutes les illustrations mentionnées dans les instructions suivantes sont incluses plus loin dans cette section après "Étapes finales".



Vis de charnière à tête hexagonale de 5/16"



Vis à tête plate Torx^{®†} de 12-24

1. Débrancher le réfrigérateur ou déconnecter la source de courant électrique.
2. Ouvrir la porte du réfrigérateur et ôter la grille de la base située à l'avant de la partie inférieure du réfrigérateur. Voir l'illustration de la grille de la base.
3. Fermer la porte du réfrigérateur; maintenir les deux portes fermées jusqu'au moment où on est prêt à les séparer de la caisse de l'appareil.

REMARQUE : Prévoir un support additionnel des portes pendant le déplacement des charnières. La force d'attraction des aimants des portes ne suffit pas à les maintenir en place pendant la manutention.

4. Enlever les pièces de la charnière supérieure tel qu'indiqué à l'illustration de la charnière supérieure. Soulever la porte du congélateur pour la séparer de la caisse.
5. Enlever les pièces de la charnière centrale - voir l'illustration de la charnière centrale. Soulever la porte du réfrigérateur pour la séparer de la caisse.
6. Enlever les pièces de la charnière inférieure - voir l'illustration de la charnière inférieure.

REMARQUE : Pour les modèles de 21 pi cu, enlever la charnière inférieure et le pied de nivellement.

IMPORTANT : Si vous souhaitez inverser le sens d'ouverture des portes, suivre les instructions de la section "Inversion du sens d'ouverture des portes (facultatif)". Si vous ne souhaitez pas inverser le sens d'ouverture des portes, voir "Réinstallation des portes et des charnières".

Inversion des portes (facultatif)

Pour acheter un ensemble d'inversion du sens d'ouverture, qui comprend une nouvelle plaque signalétique ainsi que des bouchons d'obturation de trou de port, commander la pièce numéro W10395148. Voir "Accessoires" pour des renseignements de contact.

Style 1 – Portes standard

Voir les illustrations complètes du **Style 1** plus loin dans cette section.



Vis de butée de la porte



Bouchon d'obturation de charnière de porte



Vis de scellement de la poignée de la porte



Bouchon d'obturation de charnière de caisse



Vis de la poignée à tête plate



Couvre-vis de la poignée de la porte



Vis frontale de scellement de la poignée de la porte



Vis de poignée à tête ronde

Caisse

1. Enlever les charnières à tête hexagonale de 5/16" du côté poignée et les transférer du côté opposé. Voir l'illustration 1-1.
2. Enlever les bouchons d'obturation de charnière de la caisse du sommet de celle-ci et les transférer dans les trous de charnière du côté opposé - voir l'illustration 1-2.

Porte du congélateur

1. Enlever la poignée de porte du congélateur tel qu'illustré. Conserver toutes les pièces ensemble. Voir l'illustration 2.
2. Enlever le bouchon d'obturation du trou de la charnière. Transférer le bouchon du côté opposé (voir illustration 3).
3. Enlever les vis d'obturation de poignée de la porte. La transférer du côté opposé de la porte du congélateur (voir illustration 4).
4. Enlever la butée de porte. La transférer du côté opposé de la porte du congélateur (voir illustration 5).
5. Positionner la poignée du côté opposé de la porte du congélateur. Fixer les poignées sur la porte tel qu'illustré à la figure 2.
6. Serrer toutes les vis. Conserver la porte à part jusqu'à la mise en place des charnières et de la porte du compartiment de réfrigération.

Porte du réfrigérateur

1. Enlever la poignée du réfrigérateur tel qu'illustré. Conserver toutes les pièces ensemble. Voir l'illustration 6-1.
2. Enlever la vis d'articulation de la poignée de la porte du réfrigérateur tel qu'illustré. Conserver toutes les pièces ensemble. Voir l'illustration 6-2.
3. Enlever le bouchon d'obturation du trou de charnière de la porte du réfrigérateur. Transférer le bouchon d'obturation au trou de charnière du côté opposé (voir illustration 3).
4. Enlever les vis d'obturation de poignée de la porte. La transférer du côté opposé de la porte du réfrigérateur (voir illustration 4).
5. Enlever l'avant de la vis d'obturation de la poignée de porte. La transférer du côté opposé de la porte du réfrigérateur (voir illustration 7).
6. Positionner la vis d'articulation de la poignée sur le côté opposé de la porte du réfrigérateur et insérer la vis tel qu'illustré (voir l'illustration 6-2).
7. Enlever la butée de porte. La transférer du côté opposé de la porte du réfrigérateur (voir illustration 5).
8. Placer la poignée du réfrigérateur du côté opposé de la porte du réfrigérateur (voir illustration 6-3). Visser d'abord les deux vis supérieures dans la poignée. Aligner la partie inférieure de la poignée, puis visser la vis inférieure.
9. Serrer toutes les vis. Conserver la porte du réfrigérateur à part jusqu'à ce que la charnière inférieure soit installée sur le réfrigérateur.

Style 2 – Portes contour

Votre modèle peut comporter soit des poignées en plastique en relief par rapport à la porte, soit des poignées façonnées dans la porte.

Voir les illustrations complètes du **Style 2** plus loin dans cette section.



Vis de poignée
à tête ronde



Bouchon obturateur
de la vis de poignée
de porte

Poignées en plastique - En relief par rapport à la porte (sur certains modèles)

Caisse

1. Enlever les vis de charnières à tête plate Torx® de 12-24 du côté poignée et les transférer du côté opposé. Voir l'illustration 1-1.
2. Enlever les bouchons d'obturation de charnière de la caisse du sommet de celle-ci et les transférer dans les trous de charnière du côté opposé - voir l'illustration 1-2.

Porte du congélateur

1. Enlever la poignée de porte du congélateur tel qu'illustré. Conserver toutes les pièces ensemble. Voir l'illustration 3.
2. Enlever le bouchon d'obturation du trou de la charnière. Transférer le bouchon du côté opposé (voir illustration 4).
3. Enlever les vis d'obturation de poignée de la porte. La transférer du côté opposé de la porte du congélateur (voir illustration 7).
4. Enlever la butée de porte. La transférer du côté opposé de la porte du congélateur (voir illustration 6).
5. Ôter l'axe de la charnière supérieure. Retourner la charnière de façon à ce qu'elle soit orientée vers la direction opposée et réinsérer l'axe de charnière dans la charnière supérieure. Voir l'illustration 2.

REMARQUE : Pour permettre l'inversion éventuelle du sens d'ouverture de la porte, un couvre-charnière est fourni pour le côté gauche.

6. Positionner la poignée du côté opposé de la porte du congélateur. Fixer les poignées sur la porte tel qu'illustré à la figure 3.
7. Serrer toutes les vis. Conserver la porte du congélateur à part jusqu'à la mise en place des charnières et de la porte du compartiment de réfrigération.

Porte du réfrigérateur

1. Enlever la poignée du réfrigérateur tel qu'illustré. Conserver toutes les pièces ensemble. Voir l'illustration 5.
2. Enlever le bouchon d'obturation du trou de charnière de la porte du réfrigérateur. Transférer le bouchon d'obturation au trou de charnière du côté opposé. Voir illustration 4.
3. Enlever les vis d'obturation de poignée de la porte. La transférer du côté opposé de la porte du réfrigérateur. Voir illustration 7.
4. Enlever la butée de porte. La transférer du côté opposé de la porte du réfrigérateur (voir illustration 6).
5. Placer la poignée du réfrigérateur du côté opposé de la porte du réfrigérateur (voir illustration 5). Visser d'abord les deux vis supérieures dans la poignée. Aligner la partie inférieure de la poignée et la visser avec la vis de montage.
6. Serrer toutes les vis. Conserver la porte du réfrigérateur à part jusqu'à ce que la charnière inférieure soit installée sur le réfrigérateur.

REMARQUE : Pour les modèles de 21 pi cu, transférer la charnière inférieure et le pied de nivellement au côté opposé.

Poignées encastrées - Façonnées dans la porte (sur certains modèles)

Caisse

1. Retirer les vis à tête plate Torx® de 12-24 du côté poignée et les transférer du côté opposé. Voir l'illustration 1-1.
2. Enlever les bouchons d'obturation de charnière de la caisse du sommet de celle-ci et les transférer dans les trous de charnière du côté opposé - voir l'illustration 1-2.

Portes

1. Enlever le bouchon d'obturation du trou de charnière au sommet du compartiment de congélation. Transférer le bouchon sur côté opposé (voir illustration 3).
2. Enlever les butées de porte des portes du congélateur et du réfrigérateur et les réinstaller du côté opposé. Voir l'illustration 5.

Réinstallation – Portes et charnières

REMARQUES :

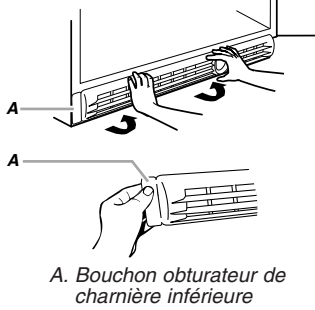
- Si on inverse le sens d'ouverture de la porte, considérer l'image symétrique.
 - Prévoir un support additionnel des portes pendant le déplacement des charnières. La force d'attraction des aimants des portes ne suffit pas à les maintenir en place pendant la manipulation.
1. Replacer les pièces de la charnière inférieure tel qu'illustré. Resserrer les vis. Replacer la porte du réfrigérateur.
REMARQUE : Pour les modèles de 21 pi cu, installer la charnière inférieure et le pied de nivellement.
 2. Assembler les pièces de la charnière centrale tel qu'illustré et serrer les vis. Voir l'illustration de la charnière centrale. Réinstaller la porte du congélateur.
 3. Assembler les pièces de la charnière supérieure (voir l'illustration de la charnière supérieure). Ne pas complètement serrer les vis.
 4. Aligner correctement les portes au niveau du bas de la porte du compartiment de congélation et du sommet de la porte du réfrigérateur. Serrer toutes les vis.

Étapes finales

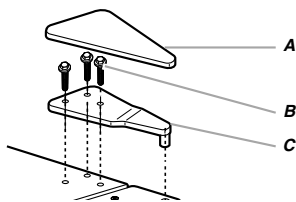
1. Inspecter tous les trous. Vérifier que tous les bouchons d'obturation et vis sont en place. Réinstaller le couvercle de la charnière supérieure. Voir l'illustration de la charnière supérieure.
Style 1 - Du côté gauche de la grille de la base, une languette amovible sert de bouchon obturateur de trou pour la charnière inférieure. Retirer la languette de la grille de la base et insérer le bouchon obturateur du trou de charnière inférieur dans les trous inférieurs de charnière. Voir l'illustration de la grille de la base.
2. Réinstaller la grille de la base. Voir l'illustration de la grille de la base.
3. Brancher le réfrigérateur ou reconnecter la source de courant électrique.
4. Réinitialiser les commandes. Voir "Utilisation des commandes".
5. Réinstaller l'ensemble des pièces amovibles dans les portes et les aliments dans le réfrigérateur.

Démontage et réinstallation de la porte

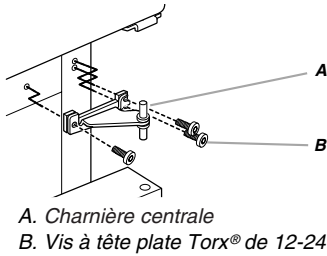
Grille de la base



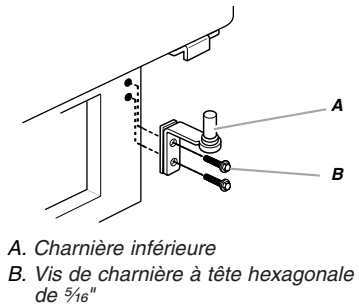
Charnière supérieure



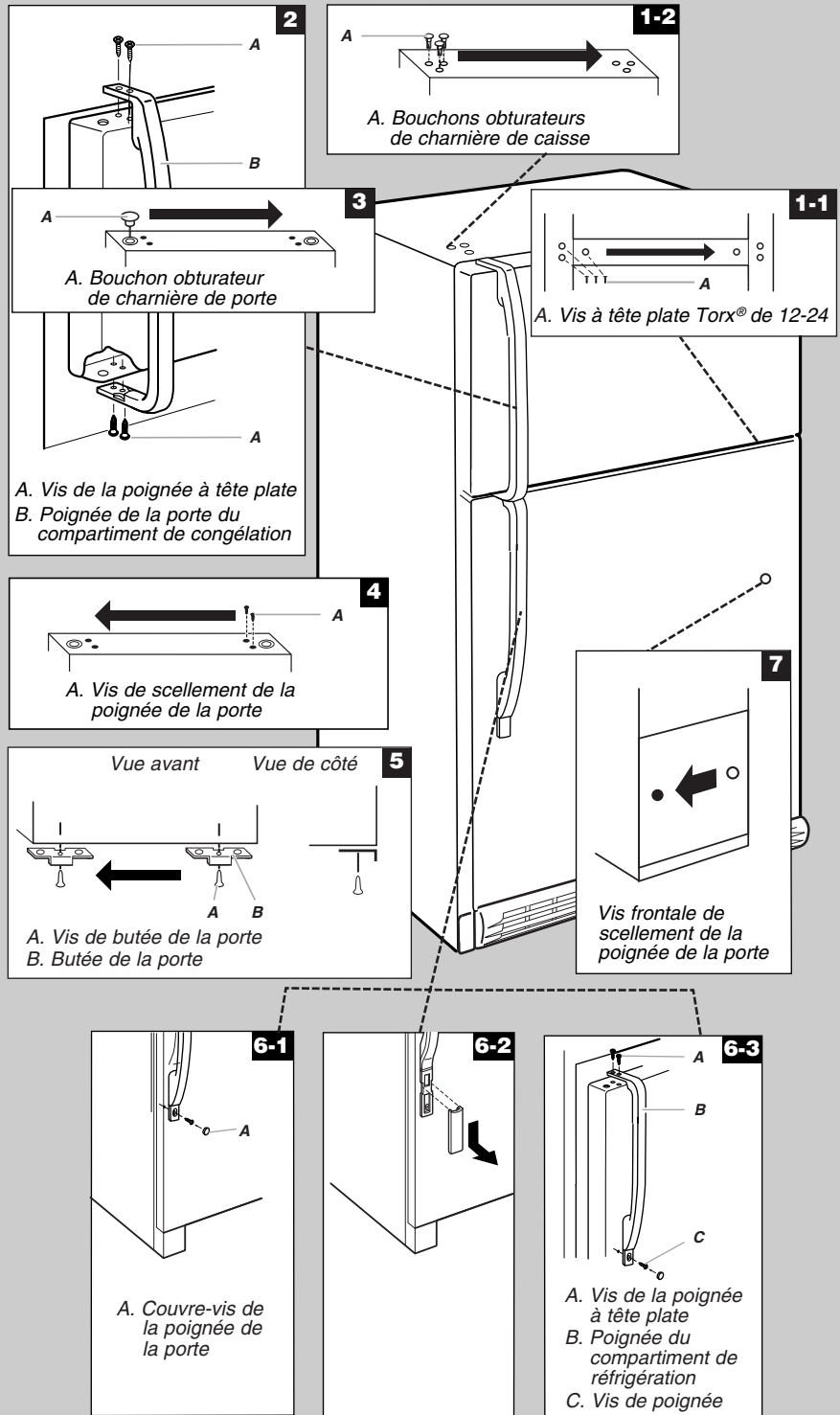
Charnière centrale



Charnière inférieure

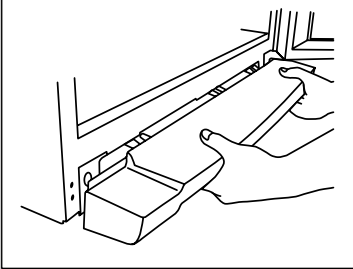


Inversion du sens d'ouverture des portes (option)

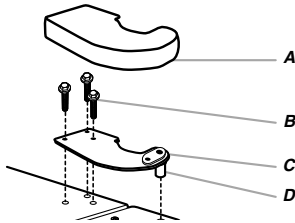


Dépose et réinstallation de la porte

Grille de la base

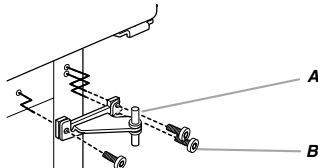


Charnière supérieure



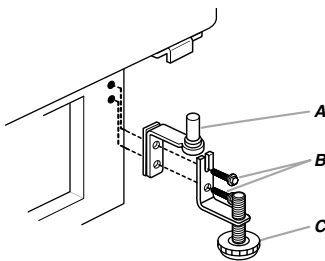
- A. Couverture de charnière supérieure
- B. Vis de charnière à tête hexagonale de 5/16"
- C. Charnière supérieure
- D. Axe de charnière

Charnière centrale



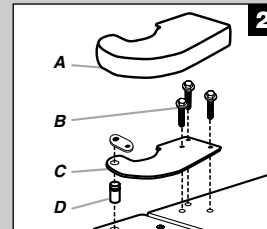
- A. Charnière centrale
- B. Vis à tête plate Torx® de 12-24

Charnière inférieure



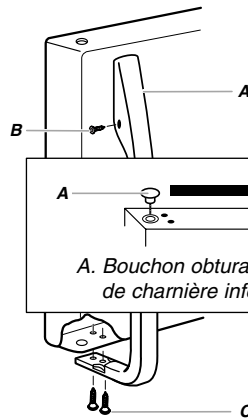
- A. Charnière inférieure
- B. Vis
- C. Pied de nivellement (sur certains modèles)

Inversion du sens d'ouverture de la porte (facultatif)



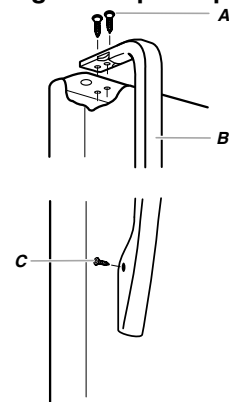
- A. Couverture de charnière supérieure (côté gauche)
- B. Vis de charnière à tête hexagonale de 5/16"
- C. Charnière supérieure
- D. Axe de charnière

Poignée en plastique 3



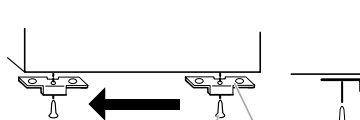
- A. Poignée du congélateur
- B. Vis de calage de 1/4"
- C. Vis de poignée à tête plate

Poignée en plastique 5

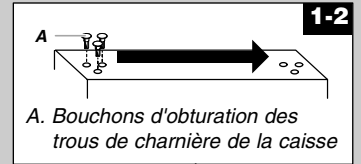


- A. Vis de poignée à tête plate
- B. Poignée du réfrigérateur
- C. Vis de calage de 1/4"

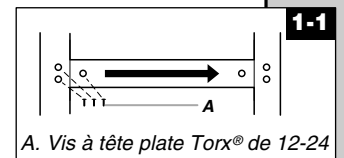
Vue de face Vue latérale 6



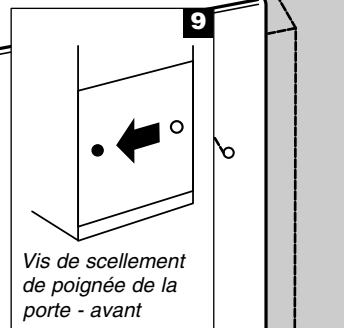
- A. Vis de butée de porte
- B. Butée de porte



- A. Bouchons d'obturation des trous de charnière de la caisse

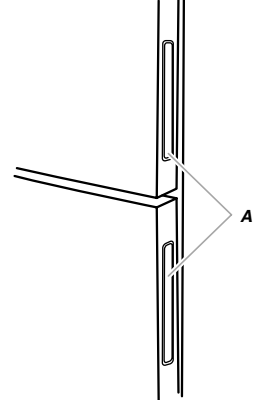


- A. Vis à tête plate Torx® de 12-24

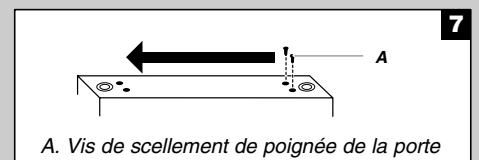


- Vis de scellement de poignée de la porte - avant

Poignée encastrée 8



- A. Poignée encastrée



- A. Vis de scellement de poignée de la porte

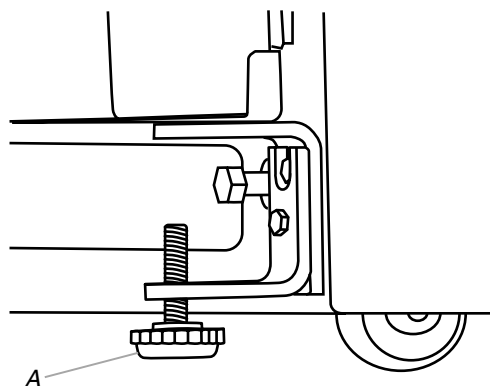
Ajustement des portes

Fermeture des portes

Votre réfrigérateur présente deux roulettes réglables à l'avant – l'une du côté droit et l'autre du côté gauche. Si votre réfrigérateur semble instable ou si vous désirez que les portes se ferment plus facilement, faire le réglage de l'inclinaison du réfrigérateur en suivant les instructions ci-dessous.

REMARQUE : Les modèles de 21 pi cu comportent un pied de nivellement supplémentaire situé à l'avant de la roulette de droite. Après avoir ajusté l'inclinaison du réfrigérateur, tourner le pied de nivellement jusqu'à ce qu'il soit en contact ferme avec le sol.

Modèles de 21 pi cu uniquement

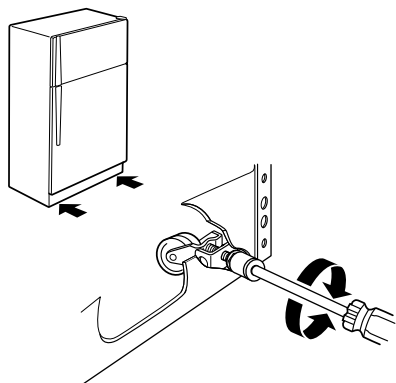


A. Pied de nivellement

IMPORTANT : Afin de rester en conformité avec les directives de la loi American Disabilities Act (ADA), rétracter complètement les roulettes à l'intérieur de la caisse du réfrigérateur pour abaisser le réfrigérateur.

1. Enlever la grille de la base. Voir l'illustration - Grille de la base dans "Portes du réfrigérateur". Les deux vis de nivellement font partie des montages de roulettes avant qui sont à la base du réfrigérateur d'un côté et de l'autre.
2. Utiliser une clé à douille pour ajuster les vis de nivellement. Tourner la vis de nivellement vers la droite pour soulever ce côté du réfrigérateur ou tourner la vis de nivellement vers la gauche pour abaisser ce côté. Plusieurs tours des vis de nivellement peuvent être nécessaires pour régler l'inclinaison du réfrigérateur.

REMARQUE : Si une autre personne pousse le haut du réfrigérateur, le poids devient moins lourd sur les vis de nivellement et les roulettes, ce qui rend plus facile l'ajustement des vis.



3. Ouvrir les deux portes de nouveau et s'assurer qu'elles se ferment aussi facilement que vous le désirez. Sinon, incliner le réfrigérateur un peu plus vers l'arrière en tournant les deux vis de nivellement vers la droite. Plusieurs tours peuvent être nécessaires.

REMARQUE : Pour que le réfrigérateur soit d'aplomb, il faut appliquer le même nombre de tours aux deux pieds de nivellement.

4. Réinstaller la grille de la base.

Alignement des portes

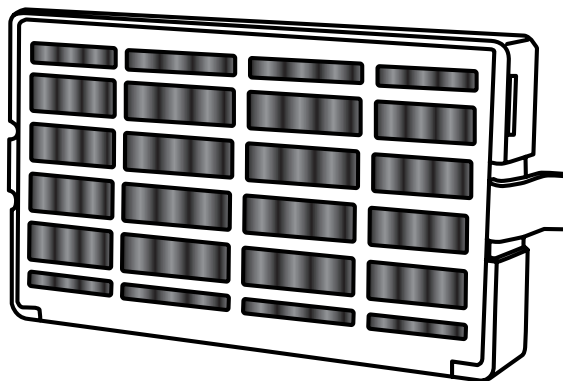
Si l'espace entre les portes semble inégal, on peut faire le réglage en suivant les instructions ci-dessous :

1. Soulever et enlever le couvercle sur la charnière supérieure.
2. Dégager les vis de la charnière supérieure en utilisant une douille de $\frac{5}{16}$ " ou une clé à molette.
3. Demander à une personne de tenir la porte en place ou placer une cale entre les portes pendant que vous serrez les vis de la charnière supérieure.
4. Réinstaller le couvercle sur la charnière supérieure.

Installation du filtre à air

(sur certains modèles)

Sur certains modèles, le sachet d'accessoires du réfrigérateur comprend un filtre à air qui doit être installé avant d'utiliser le réfrigérateur. Sur certains modèles, le filtre à air est préinstallé à l'usine.



Ce filtre à air réduit l'accumulation d'odeurs. Ceci aide à maintenir un environnement plus propre à l'intérieur du réfrigérateur.

Installation du filtre à air (sur certains modèles)

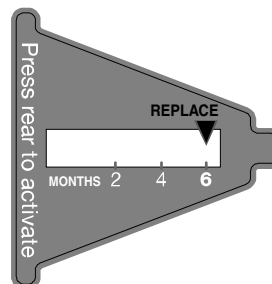
Le filtre doit être installé derrière la porte à aérations, située (selon le modèle) le long de la paroi intérieure gauche ou arrière, à proximité du sommet du compartiment de réfrigération.

1. Retirer le filtre à air de son emballage.
2. Ouvrir la porte à aérations en la soulevant.
3. Emboîter le filtre pour le mettre en place.

Témoin lumineux de l'état du filtre à air (sur certains modèles)

Style 1 - Installation du témoin de statut de filtre à air manuel

Le filtre comporte un témoin de statut qui doit être activé et installé en même temps que le filtre à air.



1. Orienter le témoin orienté vers le bas en le plaçant sur une surface ferme et plane.
2. Appliquer une pression sur la bulle située à l'arrière du témoin jusqu'à ce que la bulle éclate – ceci active le témoin.
3. Ouvrir la porte du filtre à air avec aérations en la soulevant. Sur certains modèles, l'arrière de la porte comporte des encoches.

Modèles avec encoches :

- Faire glisser le témoin vers le bas, dans les encoches, en l'orientant vers l'extérieur.

REMARQUE : Le témoin ne glissera pas facilement dans les encoches si la bulle arrière n'a pas éclaté.

- Fermer la porte du filtre à air et vérifier que le témoin est visible à travers le trou rectangulaire de la porte.

Modèles sans encoches :

- Conserver le témoin dans un endroit visible dont l'utilisateur se souviendra facilement - soit à l'intérieur du réfrigérateur, soit dans un autre endroit de la cuisine ou du domicile.

Style 2 - Statut du filtre à air sur l'affichage du panneau de commande électronique

Le tableau de commande affiche le statut du filtre à air.

- GOOD (bon) - La DEL du filtre à air ne s'allume pas.
- REPLACE (remplacer) - Le témoin lumineux DEL du filtre à air reste allumé lorsque l'on ouvre la porte du réfrigérateur.
- REPLACE (remplacer) - Le témoin lumineux DEL du filtre à air reste allumé et clignote lorsqu'on ouvre la porte du réfrigérateur.

Après avoir remplacé le filtre à air, appuyer sur FILTERS RESET (réinitialisation du filtre) pendant 3 secondes. Les icônes du filtre s'éteindront. Voir "Utilisation de la/des commande(s)".

REMARQUE : Quelque soit le statut du filtre, appuyer sur FILTERS RESET (réinitialisation du filtre) pendant 3 secondes pour réinitialiser le statut du filtre à air et le ramener à "bon" - la DEL du filtre à air s'éteindra ensuite.

Remplacement du filtre à air

Le filtre à air jetable doit être remplacé tous les 6 mois ou lorsque l'icône de la DEL du témoin du filtre à air s'allume et commence à clignoter lorsqu'on ouvre la porte du réfrigérateur.

Pour commander un filtre à air de rechange, contactez-nous à l'aide des renseignements pour aide/dépannage qui suivent la garantie.

1. Retirer l'ancien filtre à air en serrant les onglets latéraux.
2. Retirer l'ancien témoin.
3. Installer le filtre à air neuf et réinitialiser le témoin à l'aide des instructions des sections précédentes.

UTILISATION DU RÉFRIGÉRATEUR

Utilisation des commandes

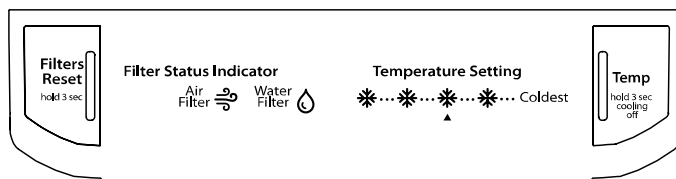
Les commandes de température se trouvent dans la partie supérieure avant du compartiment de réfrigération ou de congélation.

Commandes de température

Pour votre commodité, les commandes de température sont pré-réglées à l'usine. Lors de l'installation initiale du réfrigérateur, s'assurer que les commandes sont encore pré-réglées au point de réglage recommandé tel qu'illustré.

Style 1 – Commande électronique

Réglage recommandé "3 flocons de neige"



Style 2 – Commande manuelle

Réglage recommandé "3 flocons de neige"



IMPORTANT :

- Le réglage recommandé doit être correct pour une utilisation domestique normale du réfrigérateur. Les réglages sont faits correctement lorsque le lait ou le jus sont aussi froids que vous l'aimez et lorsque la crème glacée est ferme.
 - Attendre 24 heures pour que le réfrigérateur refroidisse complètement avant d'y placer des aliments. Si on ajoute des aliments avant que le réfrigérateur ne soit complètement refroidi, les aliments risquent de s'abîmer.
- REMARQUE :** Le fait d'ajuster les commandes de température du réfrigérateur et du congélateur à un réglage plus froid que le réglage recommandé ne refroidira pas les compartiments plus rapidement.
- Si la température est trop tiède ou trop froide dans le réfrigérateur ou le congélateur, vérifier d'abord les événements pour s'assurer qu'ils ne sont pas bloqués, avant de régler les commandes.

Réglage des commandes

S'il est nécessaire d'ajuster la température dans le compartiment de réfrigération ou de congélation, utiliser les réglages indiqués dans le tableau ci-dessous comme guide.

Style 1 - Appuyer sur le bouton TEMP pour afficher la quantité de flocons de neige souhaitée (de 1 pour le réglage le moins froid à 4 pour le réglage le plus froid).

Style 2 - Déplacer la commande vers la quantité de flocons de neige souhaitée (de 1 pour le réglage le moins froid à 5 pour le réglage le plus froid).

REMARQUE : Ne pas ajuster les commandes de plus d'un cran à la fois, sauf lors de la mise en marche du réfrigérateur. Attendre 24 heures entre les réglages pour que la température puisse se stabiliser.

CONDITION/RAISON :	AJUSTEMENT :
RÉFRIGÉRATEUR trop tiède	Commande du RÉFRIGÉRATEUR à un niveau plus élevé
CONGÉLATEUR trop tiède/trop peu de glaçons	Commande du CONGÉLATEUR à un niveau plus élevé
RÉFRIGÉRATEUR trop froid	Commande du RÉFRIGÉRATEUR à un niveau plus bas
CONGÉLATEUR trop froid	Commande du CONGÉLATEUR à un niveau plus bas

Refroidissement Marche/Arrêt

Style 1 - Appuyer sur TEMP (température) pendant 3 secondes pour désactiver le refroidissement. Pour réactiver le refroidissement, appuyer de nouveau sur le bouton TEMP pendant 3 secondes.

Style 2 - Régler la commande manuelle au mot OFF (arrêt). Pour rétablir le refroidissement, placer le bouton au réglage de température désiré.

REMARQUE : Aucun compartiment ne se refroidira lorsque la commande est réglée à OFF (arrêt).

Caractéristiques supplémentaires

Filters Reset (réinitialisation du filtre) (sur certains modèles)

La commande Filters Reset permet de réinitialiser la caractéristique de suivi du statut du filtre chaque fois que l'on change le filtre à air ou le filtre à eau.

- Appuyer sur FILTERS RESET pendant 3 secondes. Les icônes du filtre s'éteindront. Voir "Installation du filtre à air" et "Système de filtration d'eau".

CARACTÉRISTIQUES DU RÉFRIGÉRATEUR

Votre modèle peut comporter toutes les caractéristiques suivantes ou seulement certaines d'entre elles.

Importants renseignements à savoir au sujet des tablettes et des couvercles en verre :

Ne pas nettoyer les tablettes ou couvercles en verre avec de l'eau tiède quand ils sont froids. Les tablettes et les couvercles peuvent se briser s'ils sont exposés à des changements soudains de température ou à un impact tel que coup brusque. Le verre trempé est conçu pour éclater en d'innombrables pièces minuscules. Ceci est normal. Les tablettes et les couvercles en verre sont lourds. Les saisir à deux mains lors de leur dépose afin d'éviter de les faire tomber.

Tablettes du réfrigérateur (Tablettes en verre sur certains modèles)

Les tablettes de réfrigérateur sont réglables pour s'adapter à vos propres besoins de rangement.

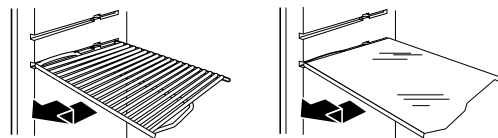
Afin de pouvoir trouver plus facilement l'article que l'on cherche, on peut remiser ensemble des aliments semblables dans le réfrigérateur et régler les tablettes pour les adapter aux différentes tailles d'articles. Ceci réduira également la durée d'ouverture de la porte du réfrigérateur et permettra d'économiser de l'énergie.

Tablettes ordinaires et tablettes en verre (sur certains modèles)

Pour enlever et réinstaller une tablette :

1. Retirer les articles de la tablette.
2. Retirer la tablette en la faisant glisser tout droit jusqu'à la butée.
3. Selon votre modèle, soulever l'arrière ou l'avant de la tablette et en la tirant au-delà de la butée. Retirer complètement la tablette en la faisant glisser entièrement hors des supports.
4. Réinstaller la tablette en la réinsérant de nouveau dans la rainure de la paroi de la caisse.

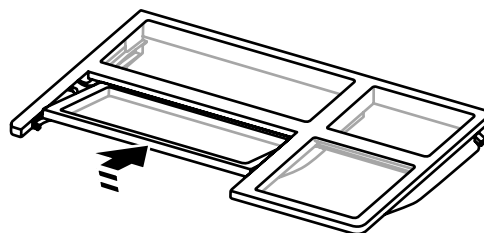
5. Guider l'avant de la tablette dans la rainure de tablette. Veiller à insérer complètement la tablette.



Tablette encastrable (sur certains modèles)

Pour enlever et réinstaller une tablette :

1. Pour retirer la tablette en entier, soulever l'avant de la tablette et la dégager en la faisant glisser vers soi.
2. Pour retirer la première moitié antérieure de la tablette, maintenir l'avant de la tablette d'une main et appuyer sur le centre de la tablette. Appuyer ensuite sur la tablette puis la pousser vers l'avant afin qu'elle coulisse sous sa moitié arrière.



3. Réinstaller la tablette toute entière en la guidant dans le cadre de la porte et en la poussant vers l'intérieur au-delà de la butée. Incliner l'avant de la tablette vers le haut jusqu'à ce qu'elle dépasse la butée et l'insérer.

Tiroir à viande (sur certains modèles)

Pour retirer et réinstaller le bac à viande :

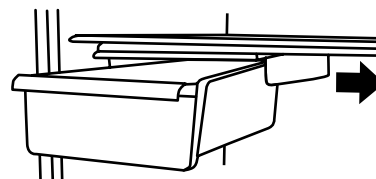
1. Retirer le bac à viande en le faisant glisser le tiroir vers l'extérieur jusqu'à la butée.
2. Soulever l'avant du bac à viande d'une main tout en soutenant la partie inférieure du bac de l'autre main. Faire glisser le bac complètement vers l'extérieur.
3. Réinstaller le bac en le réinsérant complètement au-delà de la butée.

Couvercle du bac à viande (sur certains modèles)

Pour retirer et réinstaller le couvercle du bac à viande :

1. Retirer le tiroir à viande.
2. Repousser le couvercle vers l'arrière pour libérer les pattes de fixation arrière de la tablette. Soulever l'avant du couvercle et le tirer vers l'avant.
3. Réinstaller le couvercle du bac à viande en plaçant les encoches et les attaches du couvercle sur les croisillons centraux et arrière de la tablette.
4. Remettre le couvercle en place en l'abaissant et tirer le couvercle vers l'avant pour fixer les pattes de fixation arrière sur la tablette.
5. Réinstaller le tiroir à viande.

REMARQUE : Sur certains modèles, le bac à viande peut être déplacé latéralement sur la tablette pour pouvoir en changer facilement la position.



Guide d'entreposage des viandes

Garder la plus grande partie des viandes dans leur emballage d'origine pourvu qu'il soit hermétique et à l'épreuve de l'humidité. Ré-emballer si nécessaire. Voir le tableau suivant pour les durées d'entreposage. Lorsque la viande doit être entreposée plus longtemps que les durées indiquées, congeler la viande.

Poisson frais ou crustacés à consommer le jour même de l'achat
Poulet, boeuf haché, abats comestibles (foie) 1 à 2 jours
Charcuteries, steaks/rôtis 3 à 5 jours
Viandes salaisonées..... 7 à 10 jours

Restes - Couvrir les restes avec une pellicule en plastique ou du papier d'aluminium ou utiliser des contenants en plastique avec couvercles hermétiques.

Bac à légumes (sur certains modèles)

Tiroirs/bacs à légumes et fruits

Retrait et réinstallation du bac à légumes :

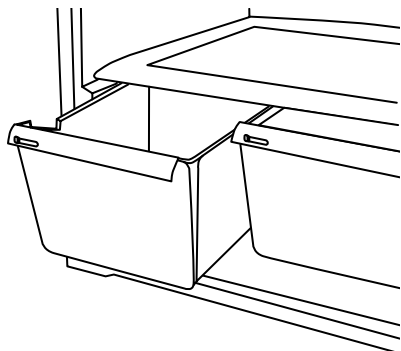
1. Extraire le bac à légumes en le faisant glisser vers l'extérieur jusqu'à la butée. Soulever le devant et faire glisser le bac vers l'extérieur pour le retirer complètement.
2. Réinstaller le bac en le faisant glisser complètement à sa position au-delà de la butée.

Couvercle du bac à légumes

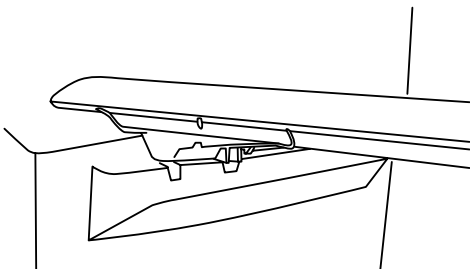
Style 1 – Couvercle en plastique

Dépose et réinstallation du couvercle du bac à légumes :

1. Retirer le/les bac(s) à légumes.



2. Soulever l'avant du bac pour retirer le support du couvercle. Soulever le couvercle et le glisser vers l'extérieur.
3. Réinstaller ensuite le couvercle en plaçant les pattes du couvercle dans les encoches inférieures de la caisse et en les enfonçant. Abaisser les pattes de fixation avant pour les mettre en place.



Style 2 – Couvercle en verre

Dépose et réinstallation du couvercle du bac à légumes :

1. Tirer sur le couvercle en verre tout droit vers l'extérieur.
2. Réinstaller le couvercle en verre en le réinsérant.

Commande d'humidité (sur certains modèles)

On peut contrôler le degré d'humidité dans le bac à légumes étanche. La commande peut être ajustée à n'importe quel réglage entre LOW et HIGH.

En position LOW (bas), le réglage laisse échapper l'air humide du bac à légumes pour mieux conserver les fruits et légumes à pelures.

- Fruits : Laver, laisser sécher et garder au réfrigérateur dans un sac en plastique ou dans le bac à légumes. Ne pas laver ni équeuter les baies avant le moment de leur utilisation. Répartir et garder les baies dans leur contenant original dans le bac à légumes ou les conserver sur une tablette du réfrigérateur dans un sac en papier fermé sans être serré.
- Légumes à pelure : Placer dans un sac ou un contenant en plastique et ranger dans le bac à légumes.

En position HIGH (fermé), le réglage permet de retenir l'humidité à l'intérieur du bac pour mieux conserver les légumes à feuilles frais.

- Légumes à feuilles : Laver à l'eau froide, égoutter et couper ou éliminer les sections endommagées et décolorées. Placer dans un sac ou un contenant en plastique et ranger dans le bac à légumes.

CARACTÉRISTIQUES DU CONGÉLATEUR

Votre modèle peut comporter toutes les caractéristiques suivantes ou seulement certaines d'entre elles.

Importants renseignements à savoir au sujet des tablettes et des couvercles en verre :

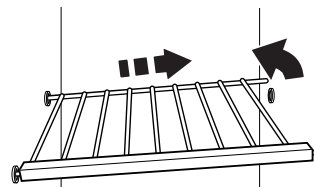
Ne pas nettoyer les tablettes ou couvercles en verre avec de l'eau tiède quand ils sont froids. Les tablettes et les couvercles peuvent se briser s'ils sont exposés à des changements soudains de température ou à un impact tel que coup brusque. Le verre trempé est conçu pour éclater en d'innombrables pièces minuscules. Ceci est normal. Les tablettes et les couvercles en verre sont lourds. Les saisir à deux mains lors de leur dépose afin d'éviter de les faire tomber.

Tablette métallique du congélateur (sur certains modèles)

Retrait et réinstallation d'une tablette métallique :

1. Enlever doucement la tablette en la soulevant complètement et en la déplaçant entièrement sur le côté gauche. Incliner le côté droit vers le haut et sortir la tablette des supports.
2. Réinstaller la tablette en insérant complètement l'extrémité gauche dans les supports de tablette. Puis abaisser l'extrémité droite de la tablette et l'insérer dans les supports.

REMARQUE : La tablette doit s'abaisser légèrement et se verrouiller en place. Si la tablette ne semble pas stable, s'assurer que les deux extrémités sont insérées dans les supports de tablette.

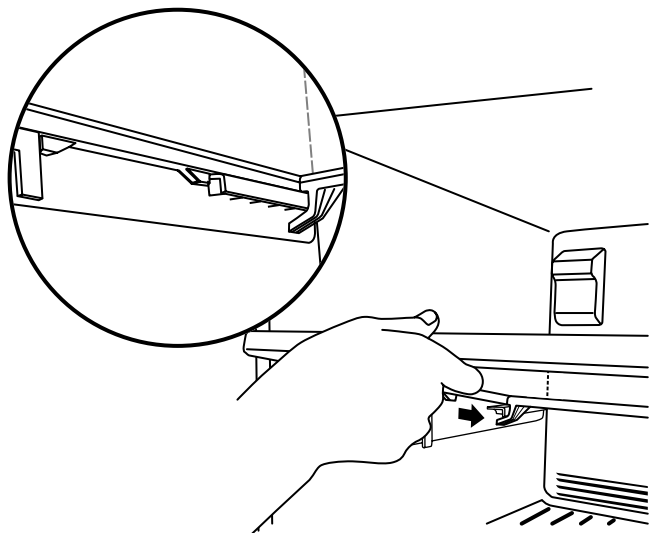


Tablette en verre du congélateur

(sur certains modèles)

Retrait et réinstallation d'une tablette en verre :

1. Soulever l'avant de la tablette pour soulever les pattes de tablette et les dégager de l'ouverture de chaque rainure de tablette. Retirer complètement la tablette.
2. Réinstaller la tablette en enfonçant la partie arrière pour aligner la patte arrière de tablette sous la rainure située de chaque côté du congélateur. Enfoncer délicatement la tablette dans le congélateur jusqu'à ce que les deux pattes centrales de la tablette se trouvent à l'intérieur de l'ouverture de chaque rainure. Abaisser la tablette pour qu'elle repose sur les rainures de tablette.



Guide de stockage des aliments surgelés

Les périodes de conservation varient selon la qualité et le type d'aliment, le type d'emballage et de pellicule utilisés (doivent être hermétiques et résistant à l'humidité) et la température de remisage. Bien fermer le sachet ou le récipient pour empêcher le transfert de goût et d'odeur dans le produit. Les cristaux de glace à l'intérieur d'un emballage scellé sont normaux. La présence de cristaux signifie simplement que l'humidité dans les aliments et l'air à l'intérieur de l'emballage se sont condensés.

Ne pas placer plus d'aliments non congelés dans le congélateur que la quantité qui congèlera dans l'intervalle de 24 heures (pas plus de 2 à 3 lb d'aliments par pied cube d'espace [907 à 1 350 g par L] dans le congélateur). Laisser assez d'espace dans le congélateur pour permettre la circulation d'air entre les emballages. S'assurer que la porte du congélateur est bien fermée.

REMARQUE : Pour plus de renseignements sur la préparation des aliments pour la congélation, consulter un guide pour congélateur ou un livre de recettes fiable.

CARACTÉRISTIQUES DE LA PORTE

Votre modèle peut comporter toutes les caractéristiques suivantes ou seulement certaines d'entre elles.

Tringles dans la porte

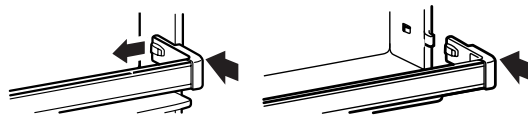
Les tringles dans la porte peuvent être enlevées pour faciliter le nettoyage.

Emboîtement des tringles de porte (sur certains modèles)

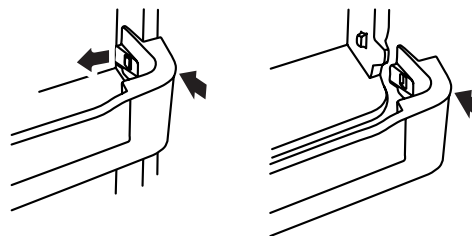
Pour retirer et réinstaller les tringles :

1. Retirer les tringles de porte en appuyant légèrement sur l'avant de l'une des extrémités du support tout en tirant sur la languette intérieure. Répéter ces étapes pour l'autre extrémité.
2. Réinstaller les tringles en alignant les extrémités des supports avec les attaches de chaque côté de la paroi de la porte. Enclencher fermement le support et l'ensemble sur les pattes situées au-dessus de la tablette tel qu'indiqué.

Style 1 - Rainures de porte



Style 2 - Porte-bouteilles/canettes

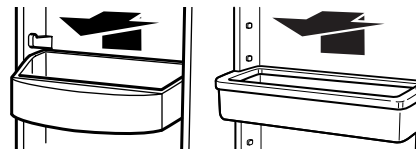


Balconnets de porte

(sur certains modèles)

Pour retirer et réinstaller les porte-canettes/balconnets :

1. Retirer le porte-canettes/balconnet en le soulevant et le tirant tout droit.
2. Réinstaller le porte-canettes/balconnet en le faisant glisser au-dessus du support désiré et en appuyant dessus jusqu'à ce qu'il s'arrête.

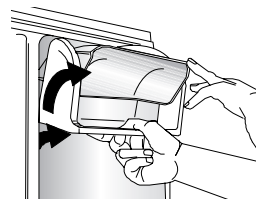


Compartiment utilitaire et compartiment à canettes

(sur certains modèles)

Retrait et réinstallation du compartiment utilitaire :

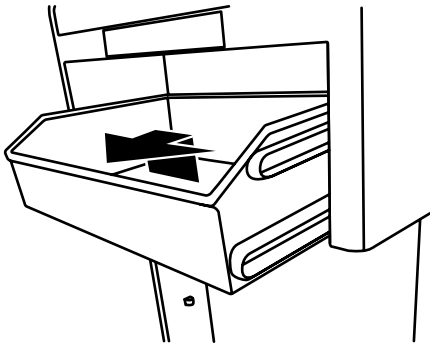
1. Retirer le compartiment utilitaire en soulevant et en maintenant le couvercle en position levée, tout en soulevant le compartiment utilitaire et en le tirant tout droit pour le dégager.
2. Réinstaller le compartiment utilitaire en le faisant glisser au-dessus du support désiré et en l'enfonçant jusqu'à la butée.



Retrait et réinstallation du compartiment à canettes :

1. Enlever le compartiment à canettes d'une main et le retirant du cadre de la porte. Soulever ensuite de nouveau le compartiment à canettes jusqu'à ce qu'il ait dépassé les butées.

- Retirer le compartiment à canettes en le tirant tout droit hors de la porte.
- Réinstaller le compartiment à canettes en alignant les rainures latérales avec les pitons de la porte. Enfoncer le bas du compartiment jusqu'à ce qu'il se trouve au-delà des butées et l'insérer complètement dans le compartiment.



Machine à glaçons (sur certains modèles)

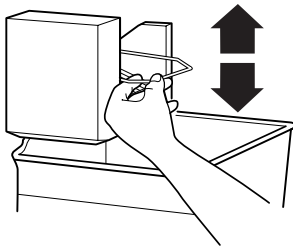
IMPORTANT : Pour les modèles comportant un filtre à eau, après avoir raccordé le réfrigérateur à l'alimentation en eau ou avoir remplacé le filtre à eau, remplir et jeter trois récipients entiers de glaçons afin que le filtre à eau soit prêt pour utilisation.

Mise en marche/arrêt de la machine à glaçons

Pour mettre la machine à glaçons en marche, il suffit d'abaisser le bras de commande en broche.

Pour arrêter manuellement la machine à glaçons, soulever le bras de commande en broche à la position OFF (élevée) et attendre le clic.

REMARQUE : Votre machine à glaçons a un arrêt automatique. Au fur et à mesure de la fabrication de la glace, les glaçons remplissent le bac d'entreposage de glaçons. Les glaçons soulèvent le bras de commande en broche à la position OFF (élevée). Ne pas forcer le commutateur du bras en broche vers le haut ou vers le bas.



Bac à glaçons

- Nettoyer le bac à glaçons au savon doux et à l'eau tiède.
- Insérer le bac à glaçons sous la machine à glaçons et le pousser aussi loin que possible.
- Abaisser le levier de commande de la machine à glaçons et le placer en position de marche ("on").

REMARQUE : Il faut généralement attendre environ 24 heures pour que la machine à glaçons commence à produire des glaçons. Les glaçons auront peut-être un goût désagréable. Le cas échéant, jeter les trois premiers lots de glaçons produits. Les glaçons suivants devraient avoir un goût normal.

Taux de production des glaçons

- La machine à glaçons devrait produire environ 8 à 12 lots de glaçons au cours d'une période de 24 heures. Attendre 3 jours pour que le bac à glaçons se remplisse entièrement.

- Pour augmenter la production de glaçons, diminuer la température du congélateur et du réfrigérateur. Voir "Utilisation des commandes". Attendre 24 heures entre les ajustements.

À noter

- La qualité de vos glaçons sera seulement aussi bonne que la qualité de l'eau fournie à votre machine à glaçons. Éviter de brancher la machine à glaçons à un approvisionnement d'eau adoucie. Les produits chimiques adoucisseurs d'eau (tels que le sel) peuvent endommager des pièces de la machine à glaçons et causer une piètre qualité des glaçons. Si une alimentation d'eau adoucie ne peut pas être évitée, s'assurer que l'adoucisseur d'eau fonctionne bien et qu'il est bien entretenu.
- Ne pas utiliser un objet pointu pour briser les glaçons dans le bac. Cette action peut endommager le bac à glaçons et le mécanisme du distributeur.
- Ne pas garder quoi que ce soit sur le dessus ou dans la machine à glaçons ou dans le bac à glaçons.

Système de filtration de l'eau

Ne pas utiliser pour le filtrage d'une eau microbiologiquement polluée ou de qualité inconnue en l'absence d'un dispositif de désinfection adéquat avant ou après le système. Les systèmes certifiés pour la réduction de kyste peuvent être utilisés pour l'eau désinfectée qui peut contenir des kystes filtrables.

Témoin lumineux de l'état du filtre à eau

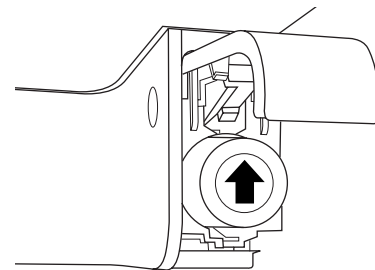
Le témoin lumineux de l'état du filtre à eau vous aidera à savoir quand changer le filtre à eau.

- Lorsqu'il est temps de commander un filtre à eau de rechange, l'icône DEL du filtre à eau s'allume chaque fois que l'on ouvre la porte du réfrigérateur.
- Lorsqu'il est temps de remplacer le filtre à eau, l'icône DEL du filtre à eau s'allume et clignote chaque fois que l'on ouvre la porte du réfrigérateur.

Le filtre à eau jetable doit être remplacé au moins tous les 6 mois selon la qualité de l'eau et la fréquence d'utilisation.

- Après avoir changé le filtre à eau, réinitialiser le statut du témoin. Appuyer sur le bouton FILTERS RESET pendant 3 secondes. Une fois le système réinitialisé, l'icône DEL du filtre à eau s'éteint.

Remplacement du filtre à eau



- Repérer le filtre à eau situé dans le coin supérieur droit du compartiment de réfrigération.
- Ouvrir la porte du couvercle du filtre en la soulevant. Le filtre doit être libéré puis éjecté lorsqu'on ouvre la porte.
- Une fois la porte complètement ouverte, retirer le filtre en le tirant en ligne droite.

REMARQUE : Il y aura peut-être de l'eau dans le filtre. Il est possible que de l'eau se renverse. Utiliser une serviette pour essuyer tout renversement.

- Retirer le filtre neuf de son emballage, puis retirer les protections des anneaux d'étanchéité. S'assurer que les anneaux d'étanchéité sont toujours en place une fois que les couvercles sont retirés.
- Avec la flèche orientée vers le haut, aligner le filtre neuf avec le logement du filtre et le faire glisser pour le mettre en place. La porte du couvercle du filtre entame un mouvement automatique de fermeture à mesure que l'on insère le filtre neuf.
- Fermer complètement le couvercle du filtre pour emboîter le filtre et le mettre en place. Il faudra peut-être appuyer fortement.
- Avant d'utiliser les glaçons, remplir et jeter trois récipients entiers de glaçons pour que le filtre soit prêt à être utilisé.

ENTRETIEN DU RÉFRIGÉRATEUR

Nettoyage

AVERTISSEMENT



Risque d'explosion

Utiliser un produit de nettoyage ininflammable.

Le non-respect de cette instruction peut causer un décès, une explosion ou un incendie.

Les compartiments de réfrigération et de congélation se dégivrent automatiquement. Toutefois, nettoyer les deux compartiments environ une fois par mois pour éviter une accumulation d'odeurs. Essuyer les renversements immédiatement.

IMPORTANT :

- Comme l'air circule entre les deux compartiments, toutes les odeurs formées dans un compartiment seront transférées à l'autre. Vous devez nettoyer à fond les deux compartiments pour éliminer les odeurs. Pour éviter le transfert d'odeurs et l'assèchement des aliments, envelopper ou recouvrir hermétiquement les aliments.
- Pour les modèles en acier inoxydable, l'acier inoxydable est résistant à la corrosion, et non pas anticorrosion. Pour éviter la corrosion de l'acier inoxydable, garder les surfaces propres à l'aide des instructions de nettoyage suivantes.

Nettoyage de votre réfrigérateur :

REMARQUE : Ne pas utiliser des nettoyants abrasifs tels que les nettoyants à vitre en atomiseurs, nettoyants à récurer, liquides inflammables, acide chlorhydrique, cires nettoyantes, détergents concentrés, eau de Javel ou nettoyants contenant du pétrole sur les surfaces extérieures (portes et caisse), les pièces en plastique, les garnitures intérieures et de portes ou les joints de portes. Ne pas utiliser d'essuie-tout, tampons à récurer ou autres outils de nettoyage abrasifs.

- Débrancher le réfrigérateur ou déconnecter la source de courant électrique.
- Laver à la main, rincer et sécher les pièces amovibles et les surfaces internes à fond. Utiliser une éponge propre ou un linge doux et un détergent doux dans de l'eau tiède.

- Nettoyer les surfaces extérieures.

Métal peint : Laver les surfaces extérieures peintes avec une éponge propre ou un linge doux et un détergent doux dans de l'eau tiède. Rincer les surfaces avec de l'eau propre et tiède et sécher immédiatement pour éviter les éventuelles taches laissées par l'eau.

Acier inoxydable : Laver les surfaces en acier inoxydable avec une éponge propre ou un linge doux et un détergent doux dans de l'eau tiède. Rincer les surfaces avec de l'eau propre et tiède et sécher immédiatement pour éviter les éventuelles taches laissées par l'eau.

REMARQUE : Lors du nettoyage de l'acier inoxydable, essuyer toujours dans le sens du grain pour éviter les éraflures.

- Le condenseur n'a pas besoin d'être nettoyé souvent dans des conditions de fonctionnement normales. Si l'environnement est particulièrement gras, poussiéreux, ou s'il y a des animaux domestiques dans la maison, le condenseur devrait être nettoyé tous les deux ou trois mois pour assurer une efficacité maximum.
Si vous avez besoin de nettoyer le condenseur :

- Retirer la grille de la base.
- Utiliser un aspirateur à brosse douce pour nettoyer la grille, les endroits ouverts derrière la grille et la surface à l'avant du condenseur.
- Replacer la grille de la base lorsqu'on a terminé.

- Brancher le réfrigérateur ou reconnecter la source de courant électrique.

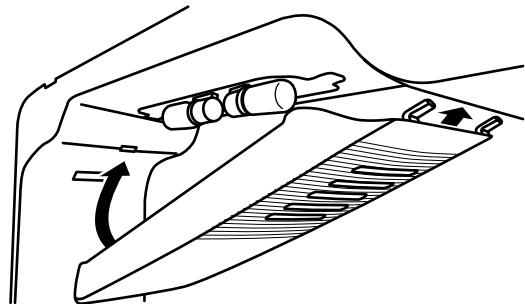
Remplacement des ampoules d'éclairage

REMARQUE : Toutes les ampoules pour appareils ménagers ne conviennent pas à votre réfrigérateur. S'assurer de remplacer l'ampoule par une ampoule de taille, de forme et de puissance semblables (pas plus de 40 watts).

Style 1 – Commande électronique

Les ampoules d'éclairage se trouvent dans la partie supérieure du compartiment de réfrigération.

- Débrancher le réfrigérateur ou déconnecter la source de courant électrique.
- Avec les deux mains, appuyer sur les côtés du protège-ampoule et le dégager de l'arrière du compartiment. Déplacer ensuite le protège-ampoule vers l'arrière pour le dégager de l'avant du compartiment.
- Remplacer l'ampoule/les ampoules par une ampoule de 40 watts de taille et de forme semblables.
- Remettre en place le protège-ampoule en insérant l'extrémité avant dans le compartiment en le poussant ensuite vers le haut jusqu'à ce qu'il s'emboîte.

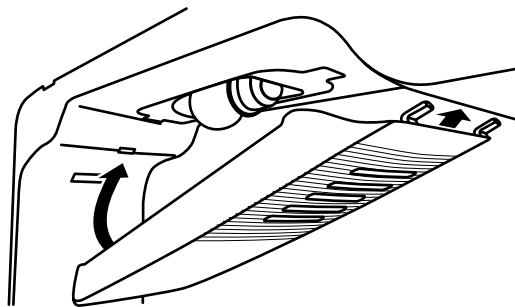


- Brancher le réfrigérateur ou reconnecter la source de courant électrique.

Style 2 – Commande manuelle

L'ampoule se trouve derrière la commande.

1. Débrancher le réfrigérateur ou déconnecter la source de courant électrique.
2. Enlever le protège-ampoule en appuyant sur les côtés et en le tirant vers le bas.
3. Retirer l'ampoule et la remplacer par une ampoule de 40 watts de taille et de forme semblables.
4. Réinstaller le protège-ampoule.



5. Brancher le réfrigérateur ou reconnecter la source de courant électrique.

DÉPANNAGE

Essayer d'abord les solutions suggérées ici ou visiter notre site Internet et la FAQ (foire aux questions) pour éviter le coût d'un appel de service.

Aux É.-U., www.whirlpool.com Au Canada, www.whirlpool.ca

Fonctionnement du réfrigérateur

Le réfrigérateur ne fonctionne pas

⚠ AVERTISSEMENT



Risque de choc électrique

Brancher sur une prise à 3 alvéoles reliée à la terre.

Ne pas enlever la broche de liaison à la terre.

Ne pas utiliser un adaptateur.

Ne pas utiliser un câble de rallonge.

Le non-respect de ces instructions peut causer un décès, un incendie ou un choc électrique.

- **Le cordon d'alimentation électrique est-il débranché?** Brancher sur une prise à 3 alvéoles reliée à la terre.
- **La prise électrique fonctionne-t-elle?** Brancher une lampe pour voir si la prise fonctionne.
- **Un fusible est-il grillé ou un disjoncteur s'est-il ouvert?** Remplacer le fusible ou réenclencher le disjoncteur. Si le problème persiste, appeler un électricien.
- **La(les) commande(s) est(sont)-elle(s) en marche?** S'assurer que la commande du réfrigérateur est bien en marche. Voir "Utilisation de la(des) commande(s)".
- **S'agit-il d'une nouvelle installation?** Accorder 24 heures après l'installation pour que le réfrigérateur se refroidisse complètement.

REMARQUE : Régler la(les) commande(s) de température sur la position la plus froide ne fera pas refroidir le réfrigérateur plus rapidement.

Le moteur semble trop tourner

Il se peut que votre nouveau réfrigérateur fonctionne plus longtemps que l'ancien grâce à son compresseur à haute efficacité et ses ventilateurs. L'appareil peut fonctionner plus

longtemps encore si la température de la pièce est chaude, si une importante quantité de nourriture y est ajoutée, si la porte est fréquemment ouverte ou si elle a été laissée ouverte.

Le réfrigérateur semble bruyant

Le bruit des réfrigérateurs a été réduit au cours des années. Du fait de cette réduction, il est possible d'entendre des bruits intermittents venant de votre nouveau réfrigérateur qui n'avaient pas été décelés avec votre ancien modèle. Voici une liste des sons normaux accompagnés d'explications.

- **Bourdonnement** - entendu lorsque le robinet d'arrivée d'eau s'ouvre pour remplir la machine à glaçons
- **Pulsation** - les ventilateurs/le compresseur se règlent afin d'optimiser la performance.
- **Sifflement/cliquetis** - écoulement de liquide réfrigérant, mouvement des conduites d'eau ou d'objets posés sur le dessus du réfrigérateur.
- **Grésillement/gargouillement** - de l'eau tombe sur l'élément de chauffage durant le programme de dégivrage
- **Bruit d'éclatement** - contraction/expansion des parois internes, particulièrement lors du refroidissement initial.
- **Bruit d'écoulement d'eau** - peut être entendu lorsque la glace fond lors du programme de dégivrage et que l'eau s'écoule dans le plateau de dégivrage.
- **Grincement/craquement** - se produit lorsque la glace est éjectée du moule à glaçons

Les portes ne se ferment pas complètement ou elles ne restent pas fermées

- **La porte est-elle bloquée en position ouverte?** Déplacer les emballages d'aliments pour libérer la porte.
- **Un compartiment ou une tablette bloquent-ils le passage?** Replacer le compartiment ou la tablette en position correcte.
- **Le couvercle du bac à légumes fait-il obstruction?** Vérifier que le couvercle du bac à légumes est enfoncé complètement de sorte que l'arrière repose sur les supports.
- **Le réfrigérateur n'est-il pas incliné vers l'arrière?** Pour que les portes se ferment plus facilement, soulever l'avant du réfrigérateur de façon à ce qu'il s'incline légèrement vers l'arrière. Voir "Réglage des portes".
- **La porte se ferme-t-elle trop rapidement?** Fermer doucement et fermement la porte pour l'empêcher de s'ouvrir.

La porte est difficile à ouvrir

AVERTISSEMENT



Risque d'explosion

Utiliser un produit de nettoyage ininflammable.

Le non-respect de cette instruction peut causer un décès, une explosion ou un incendie.

- **Les joints d'étanchéité sont-ils sales ou collants?** Nettoyer les joints et les surfaces de contact au savon doux et à l'eau tiède. Rincer et sécher avec un linge doux.

Température et humidité

La température est trop élevée

- **S'agit-il d'une nouvelle installation?** Accorder 24 heures après l'installation pour que le réfrigérateur se refroidisse complètement.
- **La porte est-elle ouverte fréquemment ou a-t-elle été laissée ouverte?** Ceci permet à l'air chaud de pénétrer dans le réfrigérateur. Réduire le nombre d'ouvertures de la porte et la maintenir complètement fermée.
- **Une importante quantité d'aliments a-t-elle été ajoutée?** Accorder quelques heures pour que le réfrigérateur revienne à sa température normale.
- **La(Les) commande(s) est(sont)-elle(s) correcte(s) pour les conditions existantes?** Ajuster la(les) commande(s) à un réglage plus froid. Vérifier la température au bout de 24 heures. Voir "Utilisation de la(des) commande(s)".

Il y a une accumulation d'humidité à l'intérieur

REMARQUE : Une certaine accumulation d'humidité est normale.

- **La pièce est-elle humide?** Ceci contribue à l'accumulation de l'humidité.
- **La porte est ouverte fréquemment ou a été laissée ouverte?** Ceci permet à l'air humide de pénétrer dans le réfrigérateur. Réduire le nombre d'ouvertures de la porte et la maintenir complètement fermée.

Glaçons et eau

La machine à glaçons ne produit pas ou pas suffisamment de glaçons

- **Le réfrigérateur est-il connecté à l'alimentation en eau et le robinet d'arrêt d'eau est-il ouvert?** Brancher le réfrigérateur à l'alimentation en eau et ouvrir le robinet d'arrêt d'eau complètement.
- **La canalisation de la source d'eau du domicile comporte-t-elle une déformation?** Une déformation dans la canalisation peut réduire l'écoulement d'eau. Redresser la canalisation d'eau.
- **La machine à glaçons est-elle allumée?** S'assurer que le bras de commande en broche ou l'interrupteur (selon le modèle) est en position ON.

- **S'agit-il d'une nouvelle installation?** Attendre 24 heures après l'installation pour la production de glaçons. Attendre 3 jours pour que le bac à glaçons se remplit entièrement.
- **Une grande quantité de glaçons vient-elle d'être enlevée?** Attendre 24 heures pour que la machine à glaçons produise plus de glaçons.
- **Un glaçon est-il coincé dans le bras éjecteur?** Enlever le glaçon du bras éjecteur avec un ustensile en plastique.
- **Un système de filtration de l'eau à osmose inverse est-il connecté à votre canalisation d'eau froide?** Ceci peut diminuer la pression de l'eau. Voir "Spécifications de l'alimentation en eau".

Les glaçons sont creux ou petits

REMARQUE : Cela indique une faible pression de l'eau.

- **La valve de la canalisation d'eau n'est-elle pas complètement ouverte?** Ouvrir la valve d'eau complètement.
- **La canalisation de la source d'eau du domicile comporte-t-elle une déformation?** Une déformation dans la canalisation peut réduire l'écoulement d'eau. Redresser la canalisation d'eau.
- **Un système de filtration de l'eau à osmose inverse est-il connecté à votre canalisation d'eau froide?** Ceci peut diminuer la pression de l'eau. Voir "Spécifications de l'alimentation en eau".
- **Reste-t-il des questions concernant la pression de l'eau?** Appeler un plombier agréé et qualifié.

Goût, odeur ou couleur grise des glaçons

- **Les raccords de plomberie sont-ils neufs?** Des raccords de plomberie neufs peuvent causer une décoloration et un mauvais goût des glaçons.
- **Les glaçons ont-ils été gardés trop longtemps?** Jeter les glaçons. Laver le compartiment à glaçons. Accorder 24 heures pour la fabrication de nouveaux glaçons.
- **Y a-t-il un transfert d'odeurs de nourriture?** Utiliser des emballages étanches à l'air et à l'humidité pour conserver les aliments.
- **L'eau contient-elle des minéraux (tels que le soufre)?** L'installation d'un filtre à eau peut être requise afin d'enlever les minéraux.

ACCESSOIRES

Les accessoires de réfrigérateur suivants sont disponibles. Pour commander, nous contacter et demander les numéros de pièces. Aux É.-U., consulter notre page Web à l'adresse www.whirlpool.com/accessories ou nous contacter au **1-800-901-2042**.

Au Canada, consulter notre page Web à l'adresse www.whirlpoolparts.ca ou nous contacter au **1-800-807-6777**.

Nettoyant et poli pour acier inoxydable :

Commander la pièce n° 4396095

Filtre à eau :

Commander la pièce n° W10295370 ou FILTER1

Filtre à air :

Commander la pièce n° W10311524 ou AIR1

Filtre à éthylène :

Commander la pièce numéro W10346771A ou FRESH1

Lot filtre à eau et filtre à air :

Commander la pièce n° W10355212BL

Lot filtre à eau, filtre à air et filtre à éthylène :

Commander la pièce n° W10365758BL

Ensemble d'inversion du sens d'ouverture :

Commander la pièce n° W10395148

FEUILLE DE DONNÉES SUR LA PERFORMANCE

Système de filtration d'eau Modèle P5WB12NL/P4RFWB12 Capacité 120 gallons (455 litres)



Produit testé et certifié par NSF International en vertu de la norme NSF/ANSI 42 (réduction du goût et de l'odeur du chlore, et particules de classe I*) et en vertu de la norme NSF/ANSI 53 (réduction de kystes actifs, amiante, plomb, lindane, toxaphène, atrazine, et 2,4 - D).

Ce produit a été testé selon les normes NSF/ANSI 42 et 53 pour la réduction des substances énumérées ci-dessous. La concentration des substances indiquées dans l'eau entrant dans le système a été réduite à une concentration moindre ou égale à la limite permise pour l'eau qui quitte le système, tel que spécifié dans les normes NSF/ANSI 42 et 53.

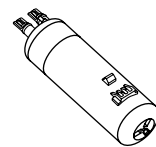
Réd. de substances Effets esthétiques	Critères de réduction NSF	Affluent moyen	Concentration dans l'eau à traiter	Effluent maximal	% de réd. minimale	% de réd. moyenne
Chlore goût/odeur Particules (classe I*)	réduction de 50 % réduction de 85 %	2,0 mg/L 7 300 000 #/mL	2,0 mg/L ± 10 % Au moins 10 000 particules/mL	0,20 mg/L 75 000 #/mL**	97 99	97,2 99,4
Réduction des contaminants	Critères de réduction NSF	Affluent moyen	Concentration dans l'eau à traiter	Effluent maximal	% de réd. minimale	% de réd. moyenne
Kystes actifs†	99,95 %	160 000/L	50 000/L min.	54/L†	99,97	99,99
Amiante	99 %	87 MFL	10 ⁷ à 10 ⁸ fibres/L††	0,17 MFL	99	99
Plomb : à pH 6,5 Plomb : à pH 8,5	0,010 mg/L 0,010 mg/L	0,160 mg/L 0,140 mg/L	0,15 mg/L ± 10 % 0,15 mg/L ± 10 %	0,001 mg/L 0,005 mg/L	99,4 98,6	99,4 98,6
Lindane	0,0002 mg/L	0,0019 mg/L	0,002 mg/L ± 10 %	0,00002 mg/L	98,9	99
Toxaphène	0,003 mg/L	0,014 mg/L	0,015 mg/L ± 10 %	0,001 mg/L	93	93
Atrazine	0,003 mg/L	0,0094 mg/L	0,009 mg/L ± 10 %	0,0005 mg/L	94,5	94,7
2,4 - D	0,07 mg/L	0,220 mg/L	0,210 mg/L ± 10 %	0,028 mg/L	87,5	96,1

Paramètres de test : pH = 7,5 ± 0,5 à moins d'indications contraires. Débit = 0,5 gpm (1,9 Lpm). Pression = 60 lb/po² (413,7 kPa). Temp. = 68°F à 71,6°F (20°C à 22°C). Capacité de service nominale = 120 gallons (455 litres).

- Il est essentiel que les exigences de fonctionnement, d'entretien et de remplacement de filtre soient respectées pour que ce produit donne le rendement annoncé.
- Utiliser la cartouche de remplacement P4RRWB/P4RFWB12, pièce n° W10295370. Prix au détail suggéré en 2011 de 49,99 \$US/59,99 \$CAN. Les prix sont sujets à modification sans préavis.
 - Style 1** – Lorsque l'écran d'affichage de l'état du filtre à eau passe de "GOOD" (bon) à "ORDER" (commander), commander un nouveau filtre. Lorsque le témoin indique "REPLACE" (remplacer), il est recommandé de remplacer le filtre.
 - Style 2** – Lorsque le témoin du filtre passe du vert au jaune, commander un nouveau filtre. Lorsque le témoin passe du jaune au rouge, il est recommandé de remplacer le filtre.
 - Style 3** – Lorsque le témoin du filtre indique 10 %, commander un nouveau filtre. Lorsque le témoin indique 0 %, il est recommandé de remplacer le filtre.
 - Style 4** – Pour les modèles sans d'un distributeur d'eau, remplacer le filtre à eau jetable tous les 6 mois. Le témoin lumineux du filtre à eau rappelle à l'utilisateur lorsque le moment est venu de remplacer le filtre à eau.
- Après avoir changé le filtre à eau, vidanger le système de distribution d'eau. Pour les glaçons filtrés uniquement, remplir et jeter trois récipients entiers de glaçons pour que le filtre à eau soit opérationnel.
- Ces contaminants ne sont pas nécessairement présents dans votre approvisionnement d'eau. Même si le test a été effectué dans des conditions de laboratoires standard, le rendement réel peut varier.
- Le produit doit être utilisé pour l'eau froide seulement.
- Le circuit d'eau doit être installé conformément aux lois et règlements locaux et à ceux de l'État concerné.
- Ne pas utiliser pour le filtrage d'une eau microbiologiquement polluée ou de qualité inconnue en l'absence d'un dispositif de désinfection adéquat avant ou après le système. Les systèmes certifiés pour la réduction de kyste peuvent être utilisés pour l'eau désinfectée qui peut contenir des kystes filtrables.
- Consulter la section "Garantie" pour obtenir le nom, l'adresse et le numéro de téléphone du fabricant.
- Consulter la section "Garantie" pour voir la garantie limitée du fabricant.

Directives d'application/ Paramètres d'approvisionnement en eau

Source d'eau	Collectivité ou puits
Pression de l'eau	30 - 120 lb/po ² (207 - 827 kPa)
Température de l'eau	33° - 100°F (0,6° - 37,8°C)
Débit nominal	0,5 gpm (1,9 L/min) à 60 lb/po ²



*Classe I - taille des particules : > 0,5 à <1 um

**Exigence de test : au moins 100 000 particules/mL (poussière de test fine AC).

†Cas de la filtration de kystes de *Cryptosporidium parvum*

††Fibres de longueur supérieure à 10 um

GARANTIE DE GROS APPAREIL MÉNAGER WHIRLPOOL CORPORATION

GARANTIE LIMITÉE

Pendant un an à compter de la date d'achat, lorsque ce gros appareil ménager est utilisé et entretenu conformément aux instructions jointes à ou fournies avec le produit, Whirlpool Corporation ou Whirlpool Canada LP (ci-après désignées "Whirlpool") paiera pour les pièces spécifiées par l'usine et la main-d'œuvre pour corriger les vices de matériaux ou de fabrication qui existaient déjà lorsque ce gros appareil ménager a été acheté. Le service doit être fourni par une compagnie de service désignée par Whirlpool. LE SEUL ET EXCLUSIF RECOURS DU CLIENT DANS LE CADRE DE LA PRÉSENTE GARANTIE LIMITÉE CONSISTE EN LA RÉPARATION PRÉVUE CI-DESSUS. Cette garantie limitée est valide uniquement aux États-Unis ou au Canada et s'applique exclusivement lorsque le gros appareil ménager est utilisé dans le pays où il a été acheté. Une preuve de la date d'achat d'origine est exigée pour obtenir un service dans le cadre de la présente garantie limitée.

ÉLÉMENTS EXCLUS DE LA GARANTIE

La présente garantie limitée ne couvre pas :

1. Les pièces de rechange ou la main-d'œuvre lorsque ce gros appareil ménager est utilisé à des fins autres que l'usage domestique unifamilial normal ou lorsque les instructions d'installation et/ou les instructions de l'opérateur ou de l'utilisateur fournies ne sont pas respectées.
 2. Les visites de service pour rectifier l'installation du gros appareil ménager, montrer à l'utilisateur comment utiliser le gros appareil ménager, remplacer ou réparer des fusibles du domicile ou rectifier le câblage ou la plomberie du domicile.
 3. Les visites de service pour réparer ou remplacer les ampoules électriques, les filtres à air ou les filtres à eau de l'appareil. Les pièces consommables ne sont pas couvertes par la garantie.
 4. Les dommages imputables à : accident, modification, usage impropre ou abusif, incendie, inondation, actes de Dieu, installation fautive ou installation non conforme aux codes d'électricité ou de plomberie, ou l'utilisation de produits non approuvés par Whirlpool.
 5. Les défauts d'apparence, notamment les éraflures, traces de choc, fissures ou tout autre dommage subi par le fini du gros appareil ménager, à moins que ces dommages ne résultent de vices de matériaux ou de fabrication et ne soient signalés à Whirlpool dans les 30 jours suivant la date d'achat.
 6. Toute perte d'aliments ou de médicaments due à une défaillance du réfrigérateur ou du congélateur.
 7. Le ramassage et la livraison. Ce gros appareil ménager est conçu pour être réparé à domicile.
 8. Les réparations aux pièces ou systèmes résultant d'une modification non autorisée faite à l'appareil.
 9. Les frais de déplacement et de transport pour le service du produit si votre gros appareil ménager est situé dans une région éloignée où un fournisseur de services d'entretien ou de réparation Whirlpool autorisé n'est pas disponible.
 10. La dépose et la réinstallation de votre gros appareil ménager si celui-ci est installé dans un endroit inaccessible ou n'est pas installé conformément aux instructions d'installation fournies par Whirlpool.
 11. Les pièces de rechange ou la main-d'œuvre pour les gros appareils ménagers dont les numéros de modèle/de série ont été enlevés, modifiés ou ne peuvent pas être facilement identifiés.
 12. La décoloration ou l'oxydation des surfaces en acier inoxydable ou encore l'apparition de rouille sur ces surfaces.
-

CLAUSE D'EXONÉRATION DE RESPONSABILITÉ AU TITRE DES GARANTIES IMPLICITES

LES GARANTIES IMPLICITES, Y COMPRIS LES GARANTIES APPLICABLES DE QUALITÉ MARCHANDE OU D'APTITUDE À UN USAGE PARTICULIER, SONT LIMITÉES À UN AN OU À LA PLUS COURTE PÉRIODE AUTORISÉE PAR LA LOI. Certains États et provinces ne permettent pas de limitation sur la durée d'une garantie implicite de qualité marchande ou d'aptitude à un usage particulier, de sorte que la limitation ci-dessus peut ne pas être applicable dans votre cas. Cette garantie vous confère des droits juridiques spécifiques, et vous pouvez également jouir d'autres droits qui peuvent varier d'une juridiction à l'autre.

LIMITATION DES RECOURS; EXCLUSION DES DOMMAGES FORTUITS OU INDIRECTS

LE SEUL ET EXCLUSIF RECOURS DU CLIENT DANS LE CADRE DE LA PRÉSENTE GARANTIE LIMITÉE CONSISTE EN LA RÉPARATION PRÉVUE CI-DESSUS. WHIRLPOOL N'ASSUME AUCUNE RESPONSABILITÉ POUR LES DOMMAGES FORTUITS OU INDIRECTS. Certains États et certaines provinces ne permettent pas l'exclusion ou la limitation des dommages fortuits ou indirects, de sorte que ces limitations et exclusions peuvent ne pas être applicables dans votre cas. Cette garantie vous confère des droits juridiques spécifiques, et vous pouvez également jouir d'autres droits qui peuvent varier d'une juridiction à l'autre.

Si vous résidez à l'extérieur des 50 États des États-Unis et du Canada, contactez votre marchand Whirlpool autorisé pour déterminer si une autre garantie s'applique.

6/08

Pour des informations supplémentaires sur le produit, aux É.-U., visiter www.whirlpool.com.
Au Canada, visiter www.whirlpool.ca.

Si vous n'avez pas accès à Internet et que vous nécessitez une assistance pendant l'utilisation du produit ou que vous souhaitez prendre un rendez-vous, vous pouvez contacter Whirlpool au numéro ci-dessous.

Ayez votre numéro de modèle à disposition. Vous pouvez trouver vos numéros de modèle et de série sur la plaque située sur la paroi interne du compartiment de réfrigération.

Pour assistance ou service aux É.-U., composez le 1-800-253-1301. Au Canada, composez le 1-800-807-6777.

Si vous avez besoin de plus d'assistance, vous pouvez écrire à Whirlpool en soumettant toute question ou problème à l'adresse suivante :

Aux États-Unis :

Whirlpool Brand Home Appliances
Customer eXperience Center
553 Benson Road
Benton Harbor, MI 49022-2692

Au Canada :

Whirlpool Brand Home Appliances
Centre d'eXpérience à la clientèle
200 – 6750 Century Ave.
Mississauga, Ontario L5N 0B7

Dans votre correspondance, veuillez indiquer un numéro de téléphone où l'on peut vous joindre dans la journée.

Veuillez conserver le manuel de l'utilisateur et le numéro de modèle pour référence ultérieure.

W10343810A
SP PN W10359300A

©2011 Whirlpool Corporation.
All rights reserved.
Tous droits réservés.

© Registered Trademark/TM Trademark of Whirlpool, U.S.A., Whirlpool Canada LP Licensee in Canada
© Marque déposée/TM Marque de commerce de Whirlpool, U.S.A., emploi sous licence par Whirlpool Canada LP au Canada

3/11
Printed in Mexico
Imprimé au Mexique