

# KitchenAid® Refrigerator

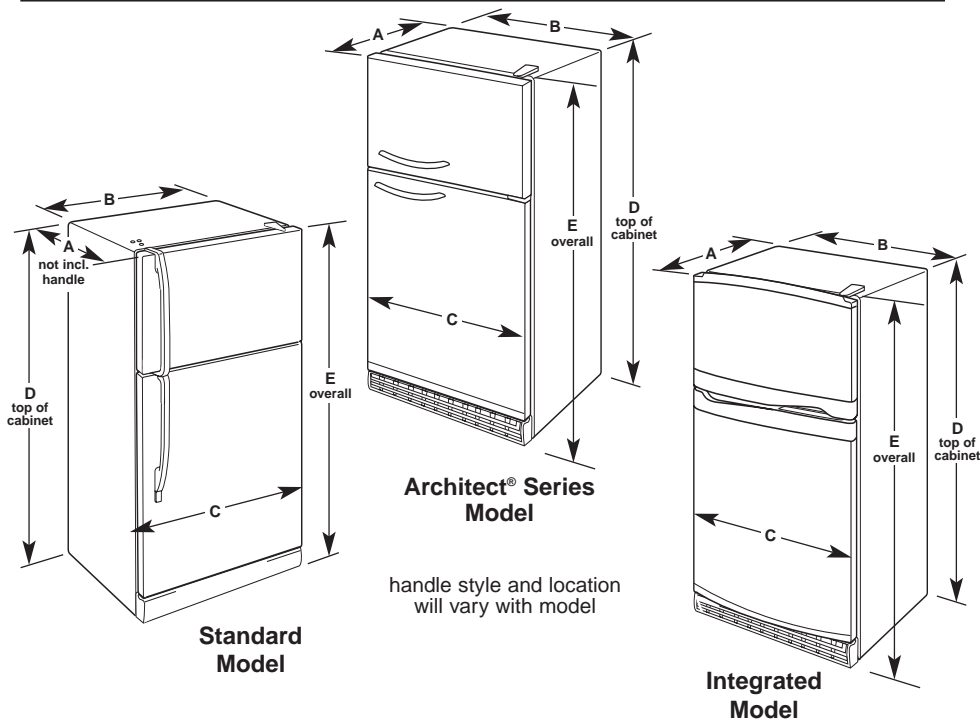
## PRODUCT MODEL NUMBERS

KTLA19EL	KTRC22KK
KTLA22EL	KTRC22KM
KTRA19EL	KTRP19KL
KTRA22EL	KTRP21KL
KTRC19EL	KTRP22EK
KTRC19KK	KTRS19EL
KTRC19KM	KTRS19KK
KTRC19MK	KTRS19KM
KTRC19MM	KTRS21KL
KTRC22EK	KTRS21KM
KTRC22EL	KTRS22EL

**Electrical:** A 115 Volt, 60 Hz., AC only 15 or 20 ampere fused, grounded electrical supply is required. It is recommended that a separate circuit serving only your refrigerator be provided. Use an outlet that cannot be turned off by a switch. Do not use an extension cord.

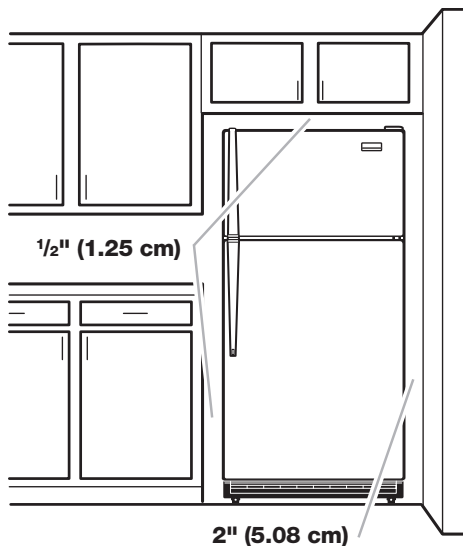
**Water:** Connect the ice maker to a cold water line with water pressure between 30 and 120 psi.

## OVERALL DIMENSIONS



Model size	Depth "A"	Cab. Width "B"	Door Width "C"	Cab. Height "D"	Overall Height "E"
<b>STANDARD MODELS</b>					
19 cu.ft.	30 3/4"	29 1/2"	29 3/4"	65 1/2"	66 1/4"
21 cu.ft.	29 3/8"	32 1/2"	32 3/4"	65 1/2"	66 1/4"
22 cu.ft.	30 3/4"	32 1/2"	32 3/4"	65 1/2"	66 1/4"
<b>INTEGRATED MODELS</b>					
19 cu.ft.	31 1/2"	29 1/2"	30 1/8"	65 1/2"	66 1/2"
22 cu.ft.	31 1/2"	32 1/2"	33 1/8"	65 1/2"	66 1/2"
<b>ARCHITECT® SERIES MODELS</b>					
19 cu.ft.	32 7/8"	29 1/2"	29 3/4"	65 1/2"	66 1/4"
22 cu.ft.	32 7/8"	32 1/2"	32 3/4"	65 1/2"	66 1/4"

## LOCATION REQUIREMENTS



To ensure proper ventilation for your refrigerator, allow for 1/2 in. (1.25 cm) space on each side and at the top. (At the top, when using half depth cabinet, use top of cabinet height "D" dimension. When using full depth cabinet, use overall "E" dimension.) When installing your refrigerator next to a fixed wall, leave 2 in. (5.08 cm) minimum on each side (depending on your model) to allow for the door to swing open. If your refrigerator has an ice maker, allow extra space at the back for the water line connections.

NOTE: Do not install the refrigerator near an oven, radiator, or other heat source, nor in a location where the temperature will fall below 55°F (13°C).