

# INSTALLATION INSTRUCTIONS 30" (76 CM) AND 36" (91.4 CM) GAS BUILT-IN COOKTOP

## INSTRUCTIONS D'INSTALLATION TABLE DE CUISSON À GAZ EN CASTREE DE 30" (76 CM) OU DE 36" (91,4 CM)

### Table of Contents / Table des matières

<p><b>COOKTOP SAFETY</b> ..... 1</p> <p><b>INSTALLATION REQUIREMENTS</b>..... 2</p> <p style="padding-left: 20px;">Tools and Parts ..... 2</p> <p style="padding-left: 20px;">Location Requirements ..... 2</p> <p style="padding-left: 20px;">Electrical Requirements ..... 4</p> <p style="padding-left: 20px;">Gas Supply Requirements ..... 4</p> <p><b>INSTALLATION INSTRUCTIONS</b>..... 5</p> <p style="padding-left: 20px;">Prepare Cooktop for Installation ..... 5</p> <p style="padding-left: 20px;">Install Cooktop ..... 6</p> <p style="padding-left: 20px;">Make Gas Connection ..... 7</p> <p style="padding-left: 20px;">Attach Cooktop to Countertop ..... 8</p> <p style="padding-left: 20px;">Complete Installation ..... 8</p> <p><b>WIRING DIAGRAMS</b> ..... 9</p>	<p><b>SÉCURITÉ DE LA TABLE DE CUISSON</b>..... 10</p> <p><b>EXIGENCES D'INSTALLATION</b> ..... 11</p> <p style="padding-left: 20px;">Outillage et pièces ..... 11</p> <p style="padding-left: 20px;">Exigences d'emplacement ..... 11</p> <p style="padding-left: 20px;">Spécifications électriques..... 13</p> <p style="padding-left: 20px;">Spécifications de l'alimentation en gaz ..... 13</p> <p><b>INSTRUCTIONS D'INSTALLATION</b>..... 15</p> <p style="padding-left: 20px;">Préparation de la table de cuisson pour l'installation ..... 15</p> <p style="padding-left: 20px;">Installation de la table de cuisson ..... 15</p> <p style="padding-left: 20px;">Raccordement au gaz..... 16</p> <p style="padding-left: 20px;">Fixation de la table de cuisson au plan de travail ..... 17</p> <p style="padding-left: 20px;">Achever l'installation ..... 17</p> <p><b>SCHÉMAS DE CÂBLAGE</b> ..... 19</p>
---	---

## COOKTOP SAFETY

### Your safety and the safety of others are very important.

We have provided many important safety messages in this manual and on your appliance. Always read and obey all safety messages.



This is the safety alert symbol.

This symbol alerts you to potential hazards that can kill or hurt you and others.

All safety messages will follow the safety alert symbol and either the word "DANGER" or "WARNING." These words mean:

**⚠ DANGER**

You can be killed or seriously injured if you don't immediately follow instructions.

**⚠ WARNING**

You can be killed or seriously injured if you don't follow instructions.

All safety messages will tell you what the potential hazard is, tell you how to reduce the chance of injury, and tell you what can happen if the instructions are not followed.

**IMPORTANT:**

**Installer:** Leave installation instructions with the homeowner.  
**Homeowner:** Keep installation instructions for future reference.  
 Save installation instructions for local electrical inspector's use.

**IMPORTANT :**

**Installateur :** Remettre les instructions d'installation au propriétaire.  
**Propriétaire :** Conserver les instructions d'installation pour référence ultérieure.  
 Conserver les instructions d'installation pour consultation par l'inspecteur local des installations électriques.

**WARNING:** For your safety, the information in this manual must be followed to minimize the risk of fire or explosion, or to prevent property damage, personal injury, or death.

- Do not store or use gasoline or other flammable vapors and liquids in the vicinity of this or any other appliance.
- **WHAT TO DO IF YOU SMELL GAS:**
  - Do not try to light any appliance.
  - Do not touch any electrical switch; do not use any phone in your building.
  - Clear the room, building, or area of all occupants.
  - Immediately call your gas supplier from a neighbor's phone. Follow the gas supplier's instructions.
  - If you cannot reach your gas supplier, call the fire department.
- Installation and service must be performed by a qualified installer, service agency, or the gas supplier.

In the State of Massachusetts, the following installation instructions apply:

- Installations and repairs must be performed by a qualified or licensed contractor, plumber, or gasfitter qualified or licensed by the State of Massachusetts.
- If using a ball valve, it shall be a T-handle type.
- A flexible gas connector, when used, must not exceed 3 feet.

## INSTALLATION REQUIREMENTS

### Tools and Parts

Gather the required tools and parts before starting installation.

#### Tools needed

- Tape measure
- Flat-blade screwdriver
- $\frac{15}{16}$ " combination wrench
- Pipe wrench
- Channel lock pliers
- Marker or pencil
- Pipe-joint compound resistant to LP gas
- Noncorrosive leak-detection solution

#### Parts supplied

- Gas pressure regulator
- Burner grates
- Burner caps
- Clamp brackets (2)
- $2\frac{1}{2}$ " (6.4 cm) clamping screws (2)

#### Parts needed

Check local codes and consult gas supplier. Check existing gas supply and electrical supply. See "Electrical Requirements" and "Gas Supply Requirements" sections.

### Location Requirements

**IMPORTANT:** Observe all governing codes and ordinances. Do not obstruct flow of combustion and ventilation air.

- It is the installer's responsibility to comply with installation clearances specified on the model/serial rating plate. The model/serial rating plate is located on the underside of the cooktop burner box.
- To eliminate the risk of burns or fire by reaching over heated surface units, cabinet storage space located above the surface units should be avoided. If cabinet storage is to be provided, the risk can be reduced by installing a range hood that projects horizontally a minimum of 5" (12.7 cm) beyond the bottom of the cabinets.
- The cooktop should be installed in a location away from strong draft areas, such as windows, doors and strong heating vents or fans.
- All openings in the wall or floor where cooktop is to be installed must be sealed.
- Cabinet opening dimensions that are shown must be used. Given dimensions are minimum clearances.
- Grounded electrical supply is required. See "Electrical Requirements" section. Proper gas supply connection must be available. See "Gas Supply Requirements" section.
- The cooktop is designed to hang from the countertop by its side or rear flanges.

- The gas and electric supply should be located as shown in "Installation Clearances" section so that they are accessible without requiring removal of the cooktop.
- Provide cutout in right rear corner of cutout enclosure as shown to provide clearance for gas inlet, power supply cord, and to allow the rating label to be visible.

**IMPORTANT:** To avoid damage, check with your builder or cabinet supplier to make sure that the materials used will not discolor, delaminate or sustain other damage.

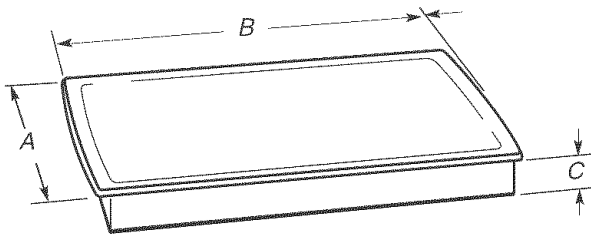
### Mobile Home - Additional Installation Requirements

The installation of this cooktop must conform to the Manufactured Home Construction and Safety Standard, Title 24 CFR, Part 3280 (formerly the Federal Standard for Mobile Home Construction and Safety, Title 24, HUD Part 280). When such standard is not applicable, use the Standard for Manufactured Home Installations, ANSI A225.1/NFPA 501A or with local codes.

In Canada, the installation of this cooktop must conform with the current standards CAN/CSA-A240-latest edition, or with local codes.

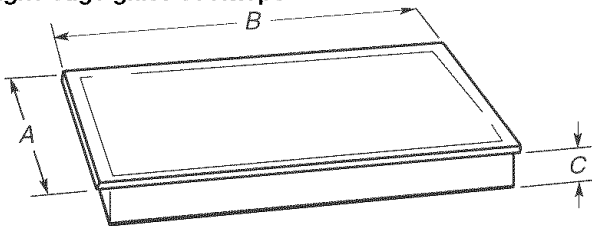
## Product Dimensions

### Metal Cooktops



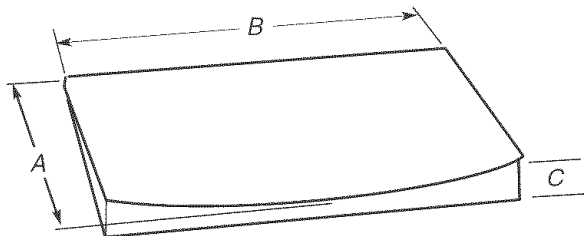
- A. 21 1/4" (53.4 cm)
- B. 31 7/16" (79.8 cm) on 30" (76.2 cm) models, 37 9/16" (95.4 cm) on 36" (91.4 cm) models
- C. 2 7/8" (7.3 cm)

### Straight-edge glass cooktops



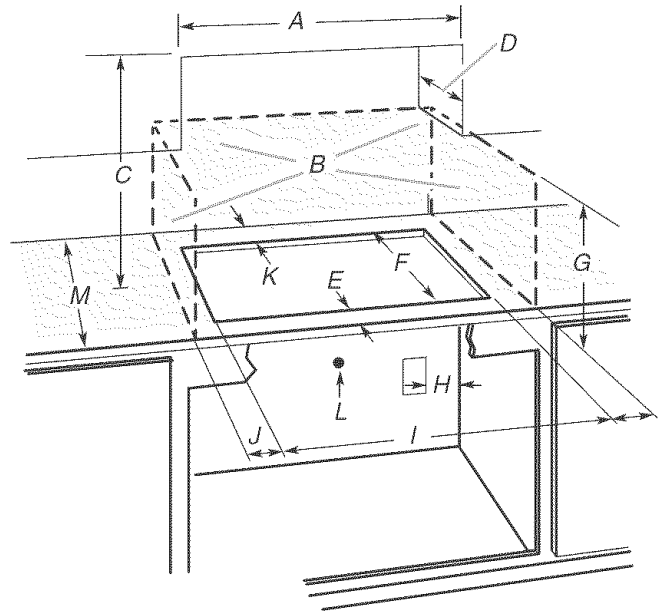
- A. 20 5/16" (51.5 cm)
- B. 30 3/16" (76.8 cm) on 30" (76.2 cm) models, 36 7/16" (92.5 cm) on 36" (91.4 cm) models
- C. 2 7/8" (7.3 cm)

### Curved-edge glass cooktops



- A. 21 1/8" (53.7 cm)
- B. 30 5/16" (77.0 cm) on 30" (76.2 cm) models, 36 5/16" (92.3 cm) on 36" (91.4 cm) models
- C. 2 7/8" (7.3 cm)

## Installation Clearances



- A. 30" (76.2 cm) on 30" models; 36" (91.4 cm) on 36" models
- B. Combustible area above countertop (shown by dashed box above)
- C. 30" (76.2 cm) minimum clearance between top of cooktop platform and bottom of unprotected wood or metal cabinet (24" [61 cm] minimum clearance if bottom of wood or metal cabinet is protected by not less than 1/4" [0.6 cm] flame retardant millboard covered with not less than No. 28 MSG sheet steel, 0.015" [0.04 cm] stainless steel, or 0.024" [0.06 cm] aluminum or 0.020" [0.05 cm] copper)
- D. 13" (33 cm) maximum upper cabinet depth
- E. 2 1/8" (5.4 cm)
- F. 19" (48.3 cm)
- G. 18" (45.7 cm) minimum clearance from upper cabinet to countertop within minimum horizontal clearances to cooktop
- H. Rounded outlet - Locate within 24" (61 cm) of right rear corner of cutout
- I. 29" (73.7 cm) on 30" models; 35 1/4" (89.5 cm) on 36" models
- J. 8 3/8" (21.3 cm) minimum distance to nearest left and right side combustable surface
- K. 2 7/8" (7.3 cm) minimum distance to rear combustable surface
- L. Gas line opening - Wall: anywhere 5" (12.7 cm) below underside of countertop. Cabinet floor: anywhere within 6" (15.2 cm) of rear wall is recommended
- M. 24" (61 cm) minimum countertop depth is required

**NOTES:** After making the countertop cutout, some installations may require notching down the base cabinet side walls to clear the burner box. To avoid this modification, use a base cabinet with sidewalls wider than the cutout.

If cabinet has a drawer, a 4" (10.2 cm) depth clearance from the countertop to the top of the drawer (or other obstruction) in base cabinet is required. The drawer depth may need to be shortened to avoid interfering with the regulator.

If installing a hood above the range, follow the hood instructions for dimensional clearances above the cooktop surface.

## Electrical Requirements

### **⚠ WARNING**



#### Electrical Shock Hazard

- Plug into a grounded 3 prong outlet.
- Do not remove ground prong.
- Do not use an adapter.
- Do not use an extension cord.
- Failure to follow these instructions can result in death, fire, or electrical shock.

**IMPORTANT:** The cooktop must be electrically grounded in accordance with local codes and ordinances, or in the absence of local codes, with the National Electrical Code, ANSI/NFPA 70 or Canadian Electrical Code, CSA C22.1.

This cooktop is equipped with an electronic ignition system that will not operate if plugged into an outlet that is not properly polarized.

If codes permit and a separate ground wire is used, it is recommended that a qualified electrical installer determine that the ground path is adequate.

A copy of the above code standards can be obtained from:

National Fire Protection Association  
One Batterymarch Park  
Quincy, MA 02269

CSA International  
8501 East Pleasant Valley Road  
Cleveland, OH 44131-5575

- A 120 volt, 60 Hz., AC only, 15-amp fused, electrical circuit is required. A time-delay fuse or circuit breaker is also recommended. It is recommended that a separate circuit serving only this cooktop be provided.
- Electronic ignition systems operate within wide voltage limits, but proper grounding and polarity are necessary. Check that the outlet provides 120 volt power and is correctly grounded.
- The wiring diagrams are provided with this cooktop. See "Wiring Diagrams" section.

## Gas Supply Requirements

### **⚠ WARNING**



#### Explosion Hazard

- Use a new CSA International approved gas supply line.
- Install a shut-off valve.
- Securely tighten all gas connections.
- If connected to LP, have a qualified person make sure gas pressure does not exceed 14" (36 cm) water column.
- Examples of a qualified person include:
  - licensed heating personnel,
  - authorized gas company personnel, and
  - authorized service personnel.
- Failure to do so can result in death, explosion, or fire.

Observe all governing codes and ordinances.

**IMPORTANT:** This installation must conform with all local codes and ordinances. In the absence of local codes, installation must conform with American National Standard, National Fuel Gas Code ANSI Z223.1 - latest edition or CAN/CGA B149 - latest edition.

### Type of Gas

#### Natural Gas:

This cooktop is design-certified by the CSA International for use with Natural gas or, after proper conversion, for use with LP gas.

- This cooktop is factory set for use with Natural gas. To convert to LP gas, see the Gas Conversion instructions provided in the literature package. The model/serial rating plate located on the underside of the burner box has information on the types of gas that can be used. If the types of gas listed do not include the type of gas available, check with the local gas supplier.

#### LP Gas conversion:

**Conversion must be done by a qualified service technician.**

No attempt shall be made to convert the appliance from the gas specified on the model/serial rating plate for use with a different gas without consulting the serving gas supplier. See the Gas Conversion instructions provided in the literature package.

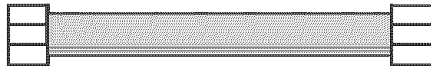
### Gas Supply Line

- Provide a gas supply line of 3/4" (1.9 cm) rigid pipe to the cooktop location. A smaller size pipe on longer runs may result in insufficient gas supply. Pipe-joint compounds that resist the action of LP gas must be used. Do not use TEFLON<sup>®†</sup> tape. With LP gas, piping or tubing size can be 1/2" minimum. Usually, LP gas suppliers determine the size and materials used in the system.

†TEFLON is a registered trademark of E.I. Du Pont De Nemours and Company.

### Flexible metal appliance connector:

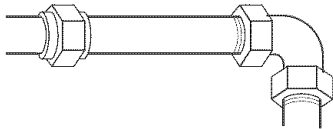
- If local codes permit, use a ½" or ¾" I.D. flexible stainless steel tubing gas connector, designed by CSA to connect the cooktop to the rigid gas supply line.



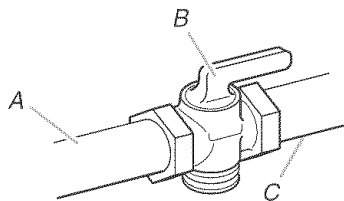
- A ¾" male pipe thread is needed for connection to the female pipe threads of the inlet to the appliance pressure regulator.
- Do not kink or damage the flexible metal tubing when moving the cooktop.

### Rigid pipe connection:

The rigid pipe connection requires a combination of pipe fittings to obtain an in-line connection to the cooktop. The rigid pipe must be level with the cooktop connection. All strains must be removed from the supply and fuel lines so cooktop will be level and in line.



- Must include a shutoff valve:  
The supply line must be equipped with a manual shutoff valve. This valve should be located in the same room but external to the cooktop. It should be in a location that allows ease of opening and closing. Do not block access to shutoff valve. The valve is for turning on or shutting off gas to the cooktop.



A. Gas supply line  
B. Shutoff valve "open" position  
C. To cooktop

### Gas Pressure Regulator

The gas pressure regulator supplied with this cooktop must be used. The inlet pressure to the regulator should be as follows for proper operation:

#### Natural Gas:

Minimum pressure: 5" (15.2 cm) WCP

Maximum pressure: 7" to 14" (17.8 cm to 35.5 cm) WCP

#### LP Gas:

Minimum pressure: 11" (27.9 cm) WCP

Maximum pressure: 14" (35.5 cm) WCP

Contact local gas supplier if you are not sure about the inlet pressure.

### Burner Input Requirements

Input ratings shown on the model/serial rating plate are for elevations up to 2,000 ft (609.6 m).

For elevations above 2,000 ft (609.6 m), ratings are reduced at a rate of 4% for each 1,000 ft (304.8 m) above sea level (not applicable for Canada).

### Gas Supply Pressure Testing

#### Line pressure testing above ½ psi gauge (14" WCP)

The cooktop and its individual manual shutoff valve must be disconnected from the gas supply piping system during any pressure testing of that system at test pressures greater than ½ psi (3.5 kPa).

#### Line pressure testing at ½ psi gauge (14" WCP) or lower

The cooktop must be isolated from the gas supply piping system by closing its individual manual shutoff valve during any pressure testing of that system at test pressures equal to or less than ½ psi (3.5 kPa).

## INSTALLATION INSTRUCTIONS

### Prepare Cooktop for Installation

#### ! WARNING

##### Excessive Weight Hazard

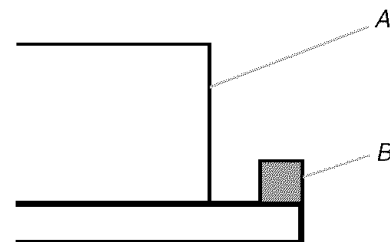
Use two or more people to move and install cooktop.  
Failure to do so can result in back or other injury.

Decide on the final location for the cooktop. Locate existing wiring to prevent drilling into or severing wiring during installation.

#### On Glass Cooktop models only:

1. Place the cooktop upside down on a protective surface.
2. Remove foam strip from literature package. Remove backing from foam strip. Apply foam strip adhesive-side down around bottom of cooktop, flush with edge.

**NOTE:** The foam strip protects the underside of the cooktop glass from debris and helps the cooktop sit flat on uneven counters.



A. Burner box  
B. Foam strip

## Install Cooktop

### Style 1: Cooktop over undercounter built-in oven

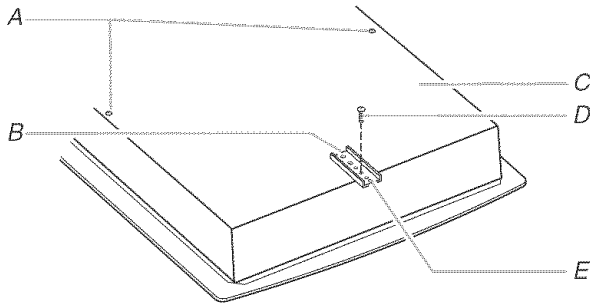
**IMPORTANT:** Clamp brackets should not be used.

1. Place cooktop right side up into the cutout.

**NOTE:** Make sure that the front edge of the cooktop is parallel to the front edge of the countertop. If repositioning is needed, lift entire cooktop up from cutout to prevent scratching the countertop.

### Style 2: Cooktop over cabinets

1. Determine whether your cabinet construction provides clearance for installing clamp brackets at burner box ends. This is the recommended location. Clamp brackets can be installed on the front and back of burner box bottom, if necessary.

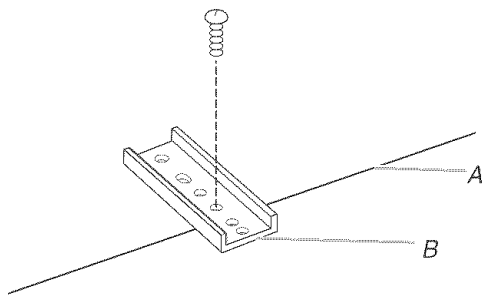


- A. Attachment screw holes for optional front and back location.
- B. Clamp bracket (end locations recommended)
- C. Burner box bottom
- D. Attachment screw
- E. Attachment screw location (recommended)

2. The clamp brackets can be installed before or after the cooktop is placed into the cutout. Complete the following steps for the option you choose.

#### Installing Brackets Before Placing Cooktop in Cutout

1. Place the cooktop upside down on a protective surface.
2. Remove the attachment screws for the selected bracket locations from the bottom of the burner box.
3. Select bracket mounting holes that will allow the bracket to extend far enough out from the cooktop for the installation of 2½" (6.4 cm) clamping screws. See "Attach Cooktop to Countertop" for illustration of clamping screw installation.



- A. Edge of burner box bottom
- B. Clamp bracket

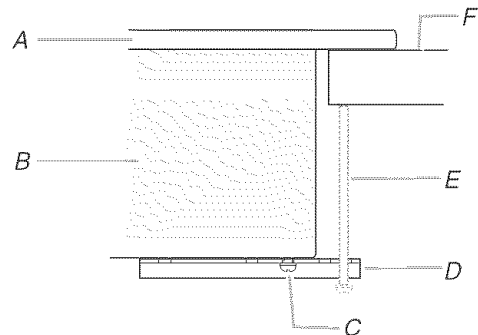
4. Attach brackets to burner box bottom with bracket attachment screws using the bracket mounting holes selected in Step 2.
5. Rotate brackets so they do not extend beyond edge of burner box.
6. Tighten screws just enough to hold brackets in place when cooktop is put in cutout.
7. Turn the cooktop right side up and place in cutout.
 

**NOTE:** Make sure that the front edge of the cooktop is parallel to the front edge of the countertop. If repositioning is needed, lift entire cooktop up from cutout to prevent scratching the countertop.
8. Loosen the screws and rotate the brackets so that they are perpendicular to the edge of the burner box and extend beyond its edge. Securely tighten screws.

#### Installing Brackets After Placing Cooktop in Cutout

1. Place cooktop right side up into the cutout.
 

**NOTE:** Make sure that the front edge of the cooktop is parallel to the front edge of the countertop. If repositioning is needed, lift entire cooktop up from cutout to prevent scratching the countertop.
2. Remove the attachment screws for the selected bracket locations from the bottom of the burner box.
3. Select bracket mounting holes that will allow the bracket to extend far enough out from the cooktop for the installation of 2½" (6.4 cm) clamping screws.



- A. Cooktop
- B. Burner box
- C. Attachment screw
- D. Clamp bracket (extends far enough beyond burner box to allow installation of clamping screws)
- E. 2½" (6.4 cm) clamping screw (to be installed in "Attach Cooktop to Countertop")
- F. Countertop

4. Attach brackets to burner box bottom with bracket attachment screws using the bracket mounting holes selected in Step 3. Securely tighten screws.

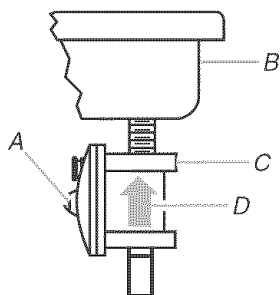
## Make Gas Connection

### To Assemble Pressure Regulator:

1. Stand the cooktop on its side or back.
2. Connect the flexible stainless steel connector to the pressure regulator using a  $\frac{3}{8}$ " male pipe thread adapter and nipple.

A combination of pipe fittings must be used to connect the cooktop to the existing gas line. Shown following is a typical connection. Your connection may be different, according to the supply line type, size and location.

3. Install the pressure regulator with the arrow pointing up toward the bottom of the burner box and in a position where you can reach the regulator cap.



- A. Access cap
- B. Rear of cooktop
- C. Gas pressure regulator
- D. Up arrow. Regulator must be installed with arrow pointing up to cooktop bottom.

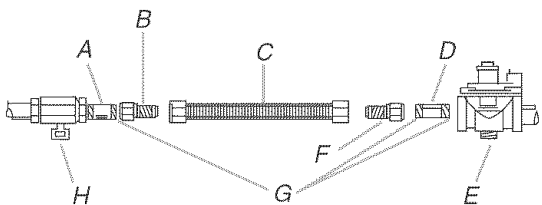
**IMPORTANT:** All connections must be wrench-tightened. Do not make connections to the gas regulator too tight. Making the connections too tight may crack the regulator and cause a gas leak. Do not allow the regulator to turn on the pipe when tightening fittings.

Use only pipe-joint compound made for use with Natural and LP gas.

Do not use TEFLON® tape. You will need to determine the fittings required depending on your installation.

### Typical flexible connection

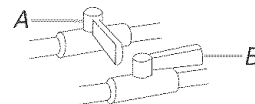
1. Apply pipe-joint compound made for use with LP gas to the smaller thread ends of the flexible connector adapters (see G in following illustration).
2. Attach 1 adapter and nipple to the gas pressure regulator and the other adapter and nipple to the gas shutoff valve. Tighten both adapters and nipples.
3. Use a  $\frac{1}{4}$ " combination wrench and channel lock pliers to attach the flexible connector to the adapters. Check that connector is not kinked.



- A.  $\frac{3}{8}$ " nipple
- B.  $\frac{3}{8}$ " adapter
- C. Flexible connector
- D.  $\frac{3}{8}$ " nipple
- E. Gas pressure regulator
- F.  $\frac{3}{8}$ " adapter
- G. Use pipe-joint compound
- H. Manual gas shutoff valve

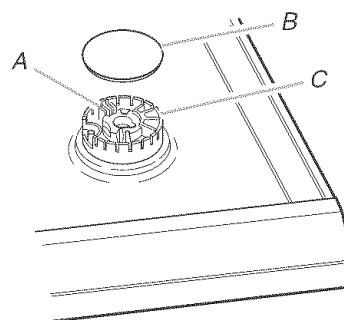
### Complete Connection

1. Open the manual shutoff valve in the gas supply line. The valve is open when the handle is parallel to the gas pipe.



- A. Closed valve
- B. Open valve

2. Test all connections by brushing on an approved noncorrosive leak-detection solution. Bubbles will show a leak. Correct any leak found.
3. Remove surface burner caps and grates from parts package. Align notches in burner caps with pins in burner base. Burner caps should be level when properly positioned. If burner caps are not properly positioned, surface burners will not light. Place burner grates over burners and caps.



- A. Igniter electrode
- B. Burner cap
- C. Burner base

## ⚠ WARNING



### Electrical Shock Hazard

**Plug into a grounded 3 prong outlet.**

**Do not remove ground prong.**

**Do not use an adapter.**

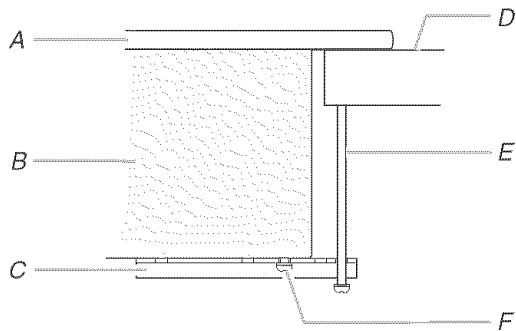
**Do not use an extension cord.**

**Failure to follow these instructions can result in death, fire, or electrical shock.**

4. Plug into a grounded 3-prong outlet.

## Attach Cooktop to Countertop

**NOTE:** This section applies only if you are using clamp brackets.



- |                  |                                   |
|------------------|-----------------------------------|
| A. Glass cooktop | D. Countertop                     |
| B. Burner box    | E. 2 1/2" (6.4 cm) clamping screw |
| C. Clamp bracket | F. Attachment screw               |

1. Place the 2 1/2" (6.4 cm) clamping screws into the brackets.
2. Check to be sure the cooktop is still level.
3. Use a flat-blade screwdriver to tighten the screws against the countertop. Do not overtighten.

## Complete Installation

### Electronic Ignition System

#### Initial lighting and gas flame adjustments

Surface burners use electronic igniters in place of standing pilots. When the cooktop control knob is turned to the "LITE" position, the system creates a spark to light the burner. This sparking continues, as long as the control knob is turned to "LITE."

#### Check Operation of Surface Burners

Push in and turn the surface burners control knobs to the "LITE" position.

The surface burner flame should light within 4 seconds. The first time a surface burner is lighted it may take longer than 4 seconds to light because of air in the gas line.

Check the flame on "HI" for a blue color. It should be clean and soft in character. No yellow tip, blowing or lifting of flame should occur. Occasional orange flashes are normal and reflect different elements in the air or gas.

After verifying the proper burner operation, turn the control knobs to "OFF."

#### If burners do not light properly:

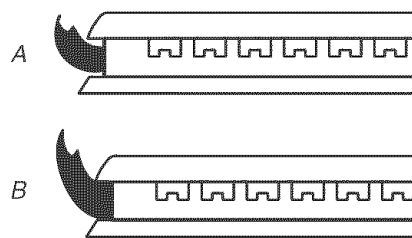
- Turn surface burner control knob to the "OFF" position.
- Check that the power supply cord is plugged in and the circuit breaker has not tripped or the fuse blown.
- Check that the gas shutoff valves are set to the "open" position.
- Check that burner caps are properly positioned on burner bases.

Recheck operation of surface burners. If a burner does not light at this point, contact your dealer or authorized service company for assistance.

## Adjust Flame Height

Adjust the height of surface burner flames.

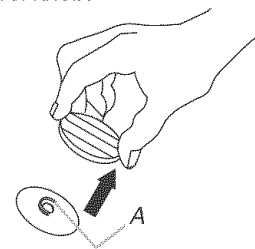
The surface burner "low" flame should be a steady blue flame approximately 1/4" (0.64 cm) high.



- A. Low flame  
B. High flame

#### If the "low" flame needs to be adjusted:

The flame can be adjusted using the adjustment screw in the center of the valve stem. The valve stem is located directly underneath the control knob.



A. Adjustment screw

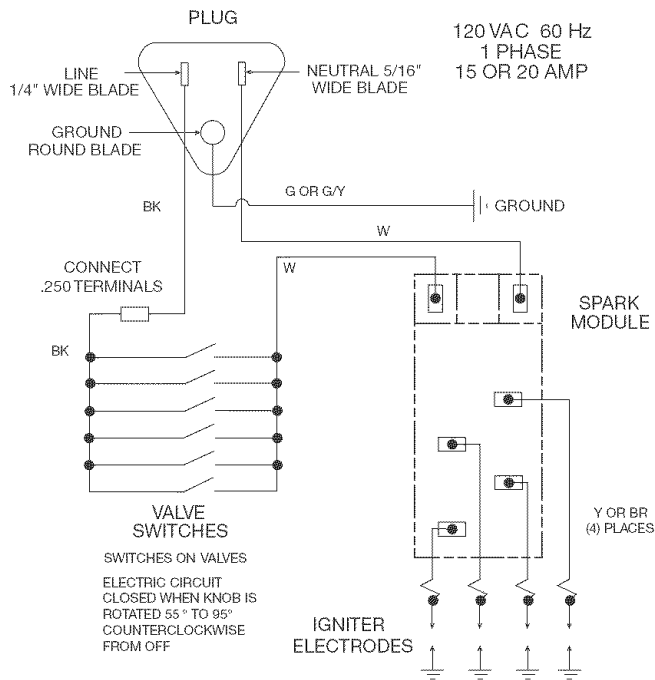
1. Remove the control knob.
2. Hold the knob stem with a pair of pliers. Use a small flat-blade screwdriver to turn the screw located in the center of the control knob stem until the flame is the proper size.
3. Replace the control knob.
4. Test the flame by turning the control from "LO" to "HI," checking the flame at each setting.



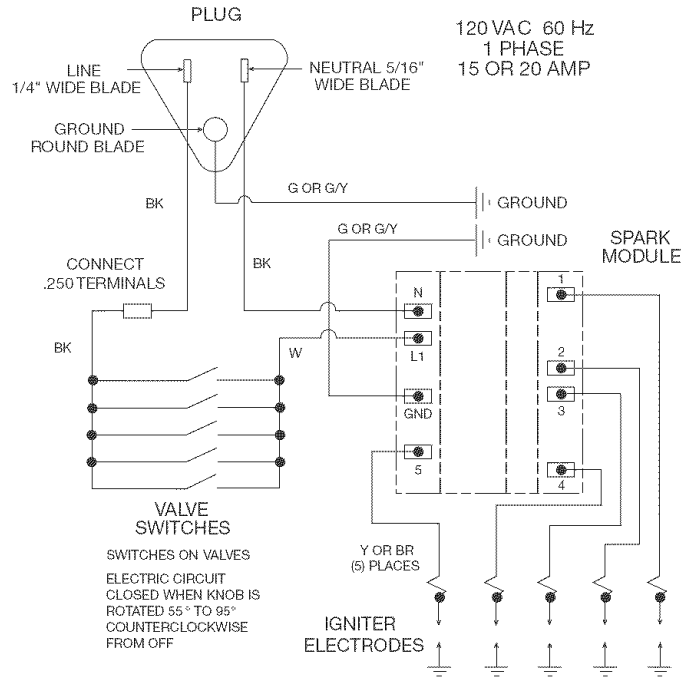
# WIRING DIAGRAMS

**CAUTION:** Label all wires prior to disconnection when servicing controls. Wiring errors can cause improper and dangerous operation. The power cord on this appliance is equipped with a 3 prong grounding plug that mates with standard 3 prong grounding-type plug. Verify proper operation after servicing.

## On 30" (76.2 cm) models



## On 36" (91.4 cm) models



# SÉCURITÉ DE LA TABLE DE CUISSON

## Votre sécurité et celle des autres est très importante.

Nous donnons de nombreux messages de sécurité importants dans ce manuel et sur votre appareil ménager. Assurez-vous de toujours lire tous les messages de sécurité et de vous y conformer.



Voici le symbole d'alerte de sécurité.

Ce symbole d'alerte de sécurité vous signale les dangers potentiels de décès et de blessures graves à vous et à d'autres.

Tous les messages de sécurité suivront le symbole d'alerte de sécurité et le mot "DANGER" ou "AVERTISSEMENT". Ces mots signifient :

**⚠ DANGER**

Risque possible de décès ou de blessure grave si vous ne suivez pas immédiatement les instructions.

**⚠ AVERTISSEMENT**

Risque possible de décès ou de blessure grave si vous ne suivez pas les instructions.

Tous les messages de sécurité vous diront quel est le danger potentiel et vous disent comment réduire le risque de blessure et ce qui peut se produire en cas de non-respect des instructions.

**AVERTISSEMENT : Pour votre sécurité, les renseignements dans ce manuel doivent être observés pour réduire au minimum les risques d'incendie ou d'explosion ou pour éviter des dommages au produit, des blessures ou un décès.**

- Ne pas entreposer ni utiliser de l'essence ou d'autres vapeurs ou liquides inflammables à proximité de cet appareil ou de tout autre appareil électroménager.
- QUE FAIRE DANS LE CAS D'UNE ODEUR DE GAZ :
  - Ne pas tenter d'allumer un appareil.
  - Ne pas toucher à un commutateur électrique.
  - Ne pas utiliser le téléphone se trouvant sur les lieux.
  - Appeler immédiatement le fournisseur de gaz d'un téléphone voisin. Suivre ses instructions.
  - À défaut de joindre votre fournisseur de gaz, appeler les pompiers.
- L'installation et l'entretien doivent être effectués par un installateur qualifié, une agence de service ou le fournisseur de gaz.

---

# EXIGENCES D'INSTALLATION

---

## Outillage et pièces

Rassembler les outils et pièces nécessaires avant de commencer l'installation.

### Outillage nécessaire

- Mètre-ruban
- Tournevis à lame plate
- Clé mixte de 15/16"
- Clé à tube
- Pince multiprise ordinaire
- Marqueur ou crayon
- Composé d'étanchéité des raccords filetés - résistant au propane
- Solution non corrosive de détection des fuites

### Pièces fournies

- Détendeur
- Grilles de brûleur
- Chapeaux de brûleur
- Brides de fixation (2)
- Vis de fixation de 2 1/2" (6,4 cm) (2)

### Pièces nécessaires

Vérifier les codes locaux et consulter le fournisseur de gaz. Vérifier l'alimentation en gaz et l'alimentation électrique existantes. Voir les sections "Spécifications électriques" et "Spécifications de l'alimentation en gaz".

---

## Exigences d'emplacement

**IMPORTANT :** Observer les dispositions de tous les codes et règlements en vigueur. Ne pas obstruer le flux de combustion et la ventilation.

- C'est à l'installateur qu'incombe la responsabilité de respecter les distances de séparation exigées, spécifiées sur la plaque signalétique de l'appareil. La plaque signalétique des numéros de modèle et de série est située sur la face inférieure de la boîte de brûleur de la table de cuisson.
- Afin de supprimer le risque de brûlures ou d'incendie en se penchant au-dessus des unités de surface chauffées, le rangement en armoire doit être évité. Si le rangement en armoire est envisagé, le risque peut être réduit par l'installation d'une hotte de cuisine opérant horizontalement sur un minimum de 5" (12,7 cm) au-delà du bas des armoires.
- La table de cuisson doit être installée dans un emplacement à l'écart des zones de forts courants d'air, telles que fenêtres, portes et événements ou ventilateurs de chauffage.

- Toutes les ouvertures dans le mur ou le plancher de l'emplacement d'installation de la table de cuisson doivent être scellées.
- Respecter les dimensions indiquées pour la cavité d'installation entre les placards. Ces dimensions tiennent compte des valeurs minimales des dégagements de séparation.
- Une source d'électricité avec liaison à la terre est nécessaire. Voir la section "Spécifications électriques". Une source de gaz adéquate doit être disponible. Voir la section "Spécifications de l'alimentation en gaz".
- De par sa conception, la table de cuisson est suspendue sur le plan de travail, par les rebords des côtés ou de l'arrière.
- Veiller à placer les sources de gaz et d'électricité selon les indications de la section "Dégagements de séparation à respecter", pour qu'elles soient accessibles sans dépose de la table de cuisson.
- Prévoir une ouverture dans l'angle supérieur droit de l'enceinte - voir l'illustration - pour le passage de la canalisation de gaz et du câble d'alimentation électrique et pour que l'étiquette signalétique soit visible.

**IMPORTANT :** Pour éviter tout dommage, consulter le constructeur de la maison ou le fabricant des placards pour déterminer si les matériaux utilisés peuvent subir un changement de couleur, une déstratification ou d'autres dommages.

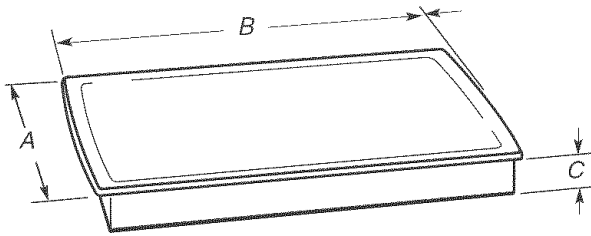
### Résidence mobile - Spécifications additionnelles à respecter lors de l'installation

L'installation de cette cuisinière doit être conforme aux dispositions de la norme Manufactured Home Construction and Safety Standard, Title 24 CFR, Part 3280 (anciennement Federal Standard for Mobile Home Construction and Safety, Title 24, HUD Part 280). Lorsque cette norme n'est pas applicable, l'installation doit satisfaire aux critères de la norme Standard for Manufactured Home Installations, ANSI A225.1/NFPA 501A ou les dispositions des codes locaux.

Au Canada, l'installation de cette cuisinière doit satisfaire aux stipulations de la version la plus récente de la norme CAN/CSA-A240, ou des codes locaux en vigueur.

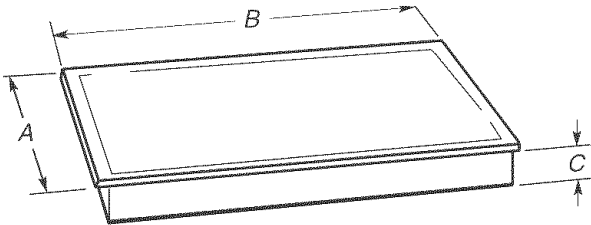
## Dimensions du produit

### Tables de cuisson métalliques



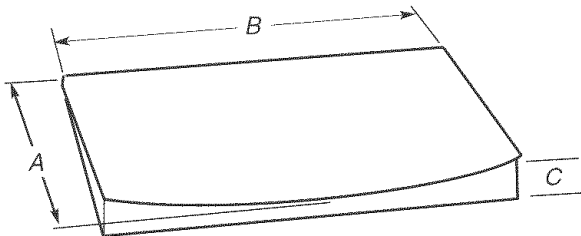
- A. 21 1/4" (53,4 cm)
- B. 31 7/16" (79,8 cm) sur les modèles de 30" (76,2 cm),  
37 9/16" (95,4 cm) sur les modèles de 36" (91,4 cm)
- C. 2 7/8" (7,3 cm)

### Tables de cuisson en verre à bord droit



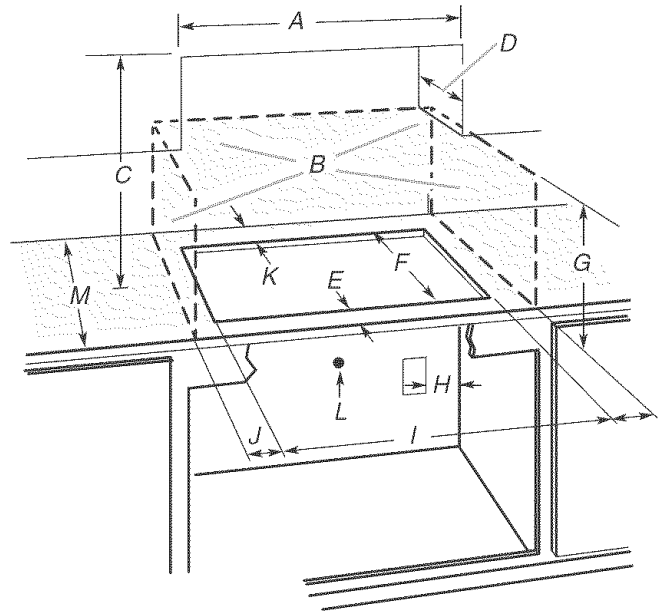
- A. 20 5/16" (51,5 cm)
- B. 30 3/16" (76,8 cm) sur les modèles de 30" (76,2 cm),  
36 7/16" (92,5 cm) sur les modèles de 36" (91,4 cm)
- C. 2 7/8" (7,3 cm)

### Tables de cuisson en verre à bord incurvé



- A. 21 1/8" (53,7 cm)
- B. 30 5/16" (77 cm) sur les modèles de 30" (76,2 cm),  
36 5/16" (92,3 cm) sur les modèles de 36" (91,4 cm)
- C. 2 7/8" (7,3 cm)

## Dégagements de séparation à respecter



- A. 30" (76,2 cm) sur les modèles de 30"; 36" (91,4 cm) sur les modèles de 36"
- B. Zone de matière combustible au-dessus du plan de travail (espace délimité par des lignes pointillées ci-dessus)
- C. Distance de séparation de 30" (76,2 cm) ou plus entre le plan de travail et le fond d'un placard métallique ou de bois non protégé (distance de séparation de 24" [61 cm] ou plus si le fond du placard de métal ou de bois est protégé par une plaque de 1/4" (0,6 cm) ou plus de matériau résistant aux flammes recouvert d'une feuille métallique d'épaisseur égale ou supérieure à calibre 28 pour l'acier, 0,015" [0,04 cm] pour l'acier inoxydable, ou 0,024" [0,06 cm] pour l'aluminium ou 0,020" [0,05 cm] pour le cuivre)
- D. Profondeur recommandée des placards muraux 13" (33 cm)
- E. 2 1/8" (5,4 cm)
- F. 19" (48,3 cm)
- G. Distance de séparation de 18" (45,7 cm) ou plus entre placards muraux et plan de travail avec distance minimale de séparation horizontale pour la table de cuisson
- H. Prise de courant reliée à la terre - Situer à moins de 24" (61 cm) de l'angle arrière droit de l'ouverture découpée
- I. 29" (73,7 cm) sur les modèles de 30"; 35 1/4" (89,5 cm) sur les modèles de 36"
- J. Distance de séparation de 8 3/8" (21,3 cm) ou plus par rapport à une surface de matériau combustible à gauche ou à droite
- K. Distance de séparation de 2 7/8" (7,3 cm) ou plus par rapport à une surface de matériau combustible à l'arrière
- L. Ouverture pour canalisation de gaz - mur : n'importe où, à 5" (12,7 cm) au-dessous de la face inférieure du plan de travail. Plancher du placard : n'importe où, à moins de 6" (15,2 cm) du mur arrière (recommandation)
- M. Un plan de travail de profondeur de 24" (61 cm) ou plus est nécessaire

**REMARQUES :** Après le découpage de l'ouverture dans le plan de travail, dans certaines configurations d'installation il sera nécessaire d'entailler les parois latérales du placard inférieur pour le passage de la boîte des brûleurs. Pour éviter cette modification, utiliser un placard inférieur dont la largeur des parois latérales est supérieure à celle de l'ouverture découpée.

Si le placard comporte un tiroir, on devra ménager une distance de séparation de 4" (10,2 cm) ou plus entre le plan de travail et le sommet du tiroir (ou autre obstruction) dans le placard inférieur. Il pourra être nécessaire de réduire la profondeur du tiroir pour éviter une interférence avec le détendeur.

En cas d'installation d'une hotte au-dessus de la cuisinière, suivre les instructions fournies avec la hotte concernant les dimensions de dégagement à respecter au-dessus de la surface de la table de cuisson.

### **⚠ AVERTISSEMENT**



#### Risque de choc électrique

- Brancher sur une prise à 3 alvéoles reliée à la terre.**
- Ne pas enlever la broche de liaison à la terre.**
- Ne pas utiliser un adaptateur.**
- Ne pas utiliser un câble de rallonge.**
- Le non-respect de ces instructions peut causer un décès, un incendie ou un choc électrique.**

**IMPORTANT :** La table de cuisson doit être correctement reliée à la terre en conformité avec les codes et règlements locaux en vigueur, ou en l'absence de tels codes, avec le National Electrical Code, ANSI/NFPA 70 ou le Code canadien des installations électriques, CSA C22.1.

Cette table de cuisson est dotée d'un système d'allumage électronique qui ne fonctionnera pas en cas de branchement dans une prise qui n'est pas correctement polarisée.

Si les codes le permettent et si on utilise un conducteur distinct de liaison à la terre, il est recommandé qu'un électricien qualifié vérifie la qualité de la liaison à la terre.

Pour obtenir un exemplaire de la norme des codes ci-dessus, contacter :

National Fire Protection Association  
One Batterymarch Park  
Quincy, MA 02269

CSA International  
8501 East Pleasant Valley Road  
Cleveland, OH 44131-5575

- L'appareil doit être alimenté par un circuit de 120 V, CA seulement, 60 Hz, 15 ampères, protégé par fusible. On recommande également d'utiliser un fusible ou un disjoncteur temporisé. Il est recommandé de raccorder la table de cuisson sur un circuit distinct exclusif à cet appareil.
- Les systèmes d'allumage électronique fonctionnent avec des limites de tension étendues, mais une liaison à la terre correcte et une polarité appropriée sont nécessaires. Vérifier que la prise fournit une alimentation de 120 V et qu'elle est correctement reliée à la terre.
- Les schémas de câblage sont fournis avec cette cuisinière. Voir la section "Schémas de câblage".

### **⚠ AVERTISSEMENT**



#### Risque d'explosion

**Utiliser une canalisation neuve d'arrivée de gaz approuvée par la CSA International.**

**Installer un robinet d'arrêt.**

**Bien serrer chaque organe de connexion de la canalisation de gaz.**

**En cas de connexion au gaz propane, demander à une personne qualifiée de s'assurer que la pression de gaz ne dépasse pas 36 cm (14 po) de la colonne d'eau.**

**Par personne qualifiée, on comprend :**

**le personnel autorisé de chauffage, le personnel autorisé d'une compagnie de gaz, et le personnel d'entretien autorisé.**

**Le non-respect de ces instructions peut causer un décès, une explosion ou un incendie.**

Observer les dispositions de tous les codes et règlements en vigueur.

**IMPORTANT :** L'installation doit satisfaire aux critères de tous les codes et règlements locaux. En l'absence de code local, l'installation doit satisfaire aux prescriptions de la plus récente édition du code national en vigueur : National Fuel Gas Code ANSI Z223.1 ou CAN/CGA B149.

### Type de gaz

#### Gaz naturel :

La conception de cette table de cuisson a été homologuée par CSA International pour l'alimentation au gaz naturel, ou pour l'alimentation au propane après conversion adéquate.

- Cette table de cuisson a été configurée à l'usine pour l'alimentation au gaz naturel. Pour effectuer la conversion pour une alimentation au propane, voir les instructions de conversion de gaz fournies dans le sachet de documentation. La plaque signalétique des numéros de modèle et de série située sur la face inférieure de la boîte de brûleur indique les types de gaz utilisables. Si le type de gaz disponible n'est pas mentionné sur la plaque signalétique, consulter le fournisseur local.

#### Conversion pour l'alimentation au propane :

**L'opération de conversion doit être exécutée par un technicien de réparation qualifié.**

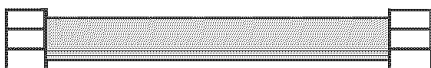
Ne pas entreprendre de convertir l'appareil pour l'utilisation d'un gaz différent de celui indiqué sur la plaque signalétique sans d'abord consulter le fournisseur de gaz. Voir les instructions de conversion de gaz fournies dans le sachet de documentation.

## Canalisation de gaz

- Installer une canalisation de gaz rigide de 3/4" (1,9 cm) jusqu'à l'emplacement d'installation de la table de cuisson. L'emploi d'une canalisation de plus petit diamètre ou plus longue peut causer une déficience du débit d'alimentation. On doit utiliser un composé d'étanchéité des tuyauteries résistant à l'action du gaz de pétrole liquéfié. Ne pas utiliser de ruban TEFLON<sup>†</sup>. Pour l'alimentation au propane, le diamètre des canalisations doit être de 1/2" ou plus. Usuellement, le fournisseur de gaz propane détermine les matériaux à utiliser et le diamètre approprié.

### Raccord métallique flexible :

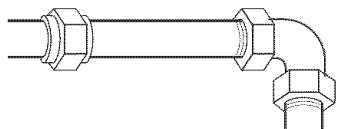
- Si les codes locaux le permettent, utiliser un connecteur à gaz flexible en acier inoxydable de 1/2" ou 3/4" de diamètre interne, conçu par CSA pour raccorder la table de cuisson à la canalisation rigide d'alimentation en gaz.



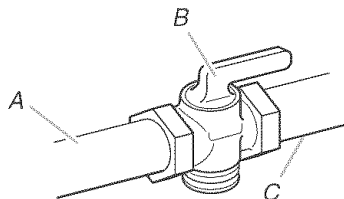
- Un raccord avec filetage mâle de 3/8" est nécessaire pour la connexion sur le raccord à filetage femelle à l'entrée du régulateur de pression de l'appareil.
- Ne pas déformer/écraser/endommager le tube métallique flexible lors d'un déplacement de la table de cuisson.

### Raccordement par un ensemble rigide :

On doit utiliser une combinaison de raccords pour réaliser un raccordement rigide entre la table de cuisson et la canalisation de gaz. Le tuyau rigide doit se trouver au même niveau que le raccord de connexion de la table de cuisson. On doit veiller à ne soumettre les sections de canalisation d'alimentation à aucun effort de traction ou flexion pour que la table de cuisson soit d'aplomb et correctement alignée.



- Robinet d'arrêt nécessaire :  
La canalisation d'alimentation doit comporter un robinet d'arrêt manuel. Le robinet d'arrêt manuel doit être séparé de la table de cuisson, mais doit se trouver dans la même pièce. La canalisation doit se trouver en un endroit facilement accessible pour les manœuvres d'ouverture/fermeture. Ne pas entraver l'accès au robinet d'arrêt manuel. Le robinet d'arrêt manuel est prévu pour ouvrir ou fermer l'alimentation en gaz de la table de cuisson.



- A. Canalisation de gaz
- B. Robinet d'arrêt manuel - position d'ouverture
- C. Vers table de cuisson

## Régulateur de pression de gaz

Le régulateur de pression de gaz fourni avec cette table de cuisson doit être utilisé. La pression d'alimentation du régulateur de pression doit être comme suit pour un fonctionnement correct :

### Gaz naturel :

Pression minimum : 5" (15,2 cm) (colonne d'eau)

Pression maximum : 7" à 14" (17,8 cm à 35,5 cm) (colonne d'eau)

### Gaz propane :

Pression minimum : 11" (27,9 cm) (colonne d'eau)

Pression maximum : 14" (35,5 cm) (colonne d'eau)

En cas d'incertitude quant à la pression d'alimentation à établir, contacter le fournisseur de gaz local.

## Caractéristiques d'alimentation du brûleur

Les débits thermiques indiqués sur la plaque signalétique correspondent à une altitude d'utilisation inférieure à 2000 pi (609,6 m).

Lorsque l'appareil est utilisé à une altitude supérieure à 2000 pi (609,6 m), on doit réduire le débit thermique indiqué de 4 % pour chaque tranche de 1000 pi (304,8 m) au-dessus du niveau de la mer (non applicable au Canada).

## Test de pressurisation de la canalisation de gaz

### Pressurisation à une pression supérieure à 1/2 lb/po<sup>2</sup> (14" - colonne d'eau)

Pour tout test de pressurisation du système à une pression supérieure à 1/2 lb/po<sup>2</sup> (3,5 kPa), on doit déconnecter la table de cuisson et son robinet d'arrêt manuel de la canalisation à pressuriser.

### Pressurisation à une pression relative de 1/2 lb/po<sup>2</sup> (14" - colonne d'eau) ou moins

Pour tout test de pressurisation du système à une pression égale ou inférieure à 1/2 lb/po<sup>2</sup> (3,5 kPa), on doit isoler la table de cuisson de la canalisation pressurisée, par fermeture du robinet d'arrêt manuel.

# INSTRUCTIONS D'INSTALLATION

## Préparation de la table de cuisson pour l'installation

### ⚠ AVERTISSEMENT

#### Risque du poids excessif

Utiliser deux ou plus de personnes pour déplacer et installer la table de cuisson.

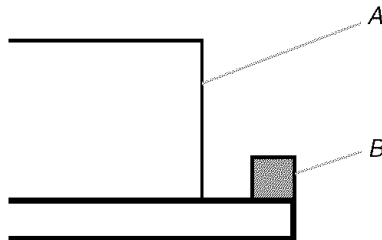
Le non-respect de cette instruction peut causer une blessure au dos ou d'autre blessure.

Déterminer l'emplacement final de la table de cuisson. Repérer le câblage existant pour éviter de le percer ou de l'endommager lors de l'installation.

#### Sur les modèles de table de cuisson en verre uniquement :

1. Placer la table de cuisson à l'envers sur une surface protectrice.
2. Enlever la bande de mousse de l'emballage. Retirer l'endos de la bande de mousse. Appliquer le côté adhésif de la bande de mousse autour du fond de la table de cuisson, en affleurement avec le rebord.

**REMARQUE :** La bande de mousse protège la face inférieure du verre de la table de cuisson des débris et l'aide à reposer à plat sur des plans de travail irréguliers.



A. Boîte de brûleur  
B. Bande de mousse

## Installation de la table de cuisson

### Style 1 : Table de cuisson sur four encastré sous comptoir

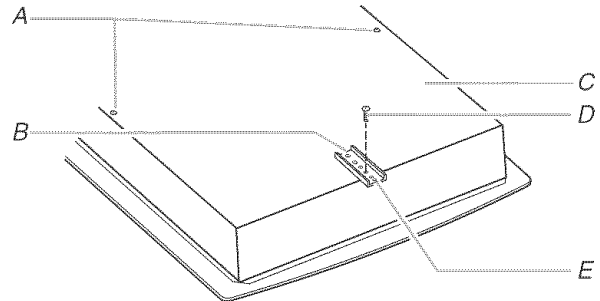
**IMPORTANT :** Ne pas utiliser de brides de fixation.

1. Placer la table de cuisson dans l'ouverture, côté droit vers le haut.

**REMARQUE :** S'assurer que le bord avant de la table de cuisson est parallèle au bord avant du plan de travail. S'il est nécessaire de repositionner la table de cuisson, la soulever entièrement de l'ouverture pour éviter d'endommager le plan de travail.

### Style 2 : Table de cuisson sur placards

1. Déterminer si l'installation des placards permet le dégagement nécessaire pour l'installation de brides de fixation aux extrémités de la boîte des brûleurs. Il s'agit de l'emplacement recommandé. Des brides de fixation peuvent être installées à l'avant et à l'arrière de la partie inférieure de la boîte de brûleur, si nécessaire.

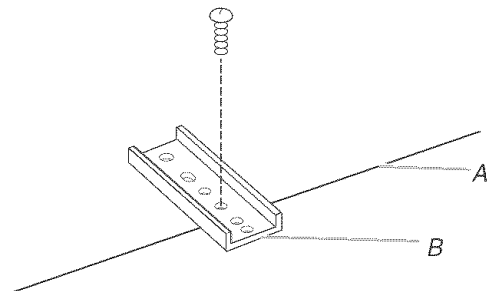


A. Trous de vis d'attache pour emplacement facultatif à l'avant et à l'arrière.  
B. Brides de fixation (emplacements aux extrémités recommandés)  
C. Partie inférieure de la boîte de brûleur  
D. Vis d'attache  
E. Emplacement (recommandé) de la vis d'attache

2. Les brides de fixation peuvent être installées avant ou après le positionnement de la table de cuisson dans l'ouverture. Procéder aux étapes suivantes pour l'option choisie.

### Installation des brides avant de positionner la table de cuisson dans l'ouverture

1. Placer la table de cuisson à l'envers sur une surface protectrice.
2. Enlever les vis d'attache pour les emplacements de brides sélectionnés dans la partie inférieure de la boîte de brûleur.
3. Sélectionner les trous de montage des brides qui permettront aux brides de dépasser suffisamment de la table de cuisson pour l'installation des vis de fixation de 2 1/2" (6,4 cm). Voir "Fixation de la table de cuisson au plan de travail" pour avoir une illustration de l'installation des vis de fixation.



A. Bord de la partie inférieure de la boîte de brûleur  
B. Brides de fixation

- Fixer les brides à la partie inférieure de la boîte de brûleur à l'aide des vis d'attache en utilisant les trous de montage des brides sélectionnés à l'étape 2.
- Faire tourner les brides de façon à ce qu'elles ne dépassent pas du bord de la boîte de brûleur.
- Serrer les vis juste assez pour maintenir les brides en place lorsque la table de cuisson est positionnée dans l'ouverture.
- Tourner la table de cuisson, côté droit vers le haut, et la positionner dans l'ouverture.

**REMARQUE :** S'assurer que le bord avant de la table de cuisson est parallèle au bord avant du plan de travail. S'il est nécessaire de repositionner la table de cuisson, la soulever entièrement de l'ouverture pour éviter d'endommager le plan de travail.

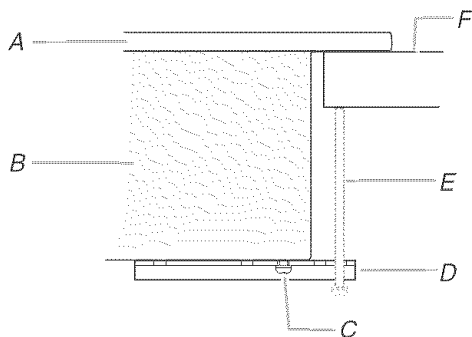
- Desserrer les vis et faire tourner les brides pour qu'elles soient perpendiculaires au bord de la boîte de brûleur et qu'elles dépassent de son bord. Bien serrer les vis.

### Installation des brides après avoir positionné la table de cuisson dans l'ouverture

- Placer la table de cuisson dans l'ouverture, côté droit vers le haut.

**REMARQUE :** S'assurer que le bord avant de la table de cuisson est parallèle au bord avant du plan de travail. S'il est nécessaire de repositionner la table de cuisson, la soulever entièrement de l'ouverture pour éviter d'endommager le plan de travail.

- Enlever les vis d'attache pour les emplacements de brides sélectionnés dans la partie inférieure de la boîte de brûleur.
- Sélectionner les trous de montage des brides qui permettront aux brides de dépasser suffisamment de la table de cuisson pour l'installation des vis de fixation de 2 1/2" (6,4 cm).



- A. Table de cuisson
- B. Boîte de brûleur
- C. Vis d'attache
- D. Bride de fixation (dépassant suffisamment de la boîte des brûleurs pour permettre l'installation des vis de fixation)
- E. Vis de fixation de 2 1/2" (6,4 cm) (à installer dans "Fixation de la table de cuisson au plan de travail")
- F. Plan de travail

- Fixer les brides à la partie inférieure de la boîte de brûleur à l'aide des vis d'attache en utilisant les trous de montage des brides sélectionnés à l'étape 3. Bien serrer les vis.

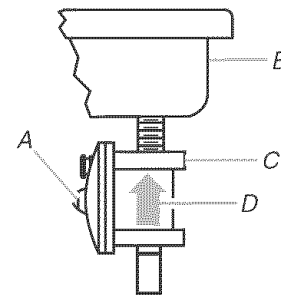
## Raccordement au gaz

### Assemblage du détendeur :

- Placer la table de cuisson en appui sur le côté ou la face arrière.
- Connecter le raccord flexible d'acier inoxydable au détendeur - utiliser un raccord droit et un raccord d'adaptation comportant un filetage mâle de 3/8" (NPT).

On doit utiliser une combinaison de raccords de tuyauterie pour raccorder la table de cuisson à l'alimentation en gaz existante. On voit ci-dessous une illustration d'un raccordement typique. Le raccordement peut varier, selon le type d'alimentation, la dimension et l'emplacement.

- Orienter la flèche du détendeur vers le haut, vers le fond de la boîte des brûleurs et orienter horizontalement le détendeur de telle manière que le chapeau du détendeur soit accessible.



- A. Chapeau de l'ouverture d'accès
- B. Arrière de la table de cuisson
- C. Détendeur
- D. Flèche vers le haut. Le détendeur doit être installé avec la flèche pointant vers le haut (vers le fond de la table de cuisson).

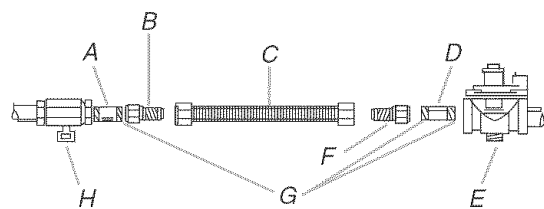
**IMPORTANT :** Tous les raccords doivent être bien serrés à l'aide d'une clé. Ne pas serrer excessivement la connexion sur le détendeur. Un serrage excessif pourrait provoquer une fissuration du détendeur et une fuite de gaz. Lors du serrage d'un raccord, empêcher le détendeur de tourner sur le tuyau.

Utiliser uniquement un composé d'étanchéité des tuyauteries conçu pour l'utilisation avec le gaz naturel ou le propane.

Ne pas utiliser de ruban TEFLON®. Il sera nécessaire de choisir les raccords à utiliser en fonction de la configuration d'installation.

### Raccordement typique par raccord flexible

- Appliquer sur le filetage le plus petit des raccords de connexion (voir G sur l'illustration qui suit) un composé d'étanchéité des tuyauteries compatible avec le propane.
- Connecter un raccord d'adaptation et un raccord droit sur le détendeur, et un raccord d'adaptation et un raccord droit sur le robinet d'arrêt. Serrer les connexions.
- Utiliser une clé mixte de 15/16" et une pince multiprise pour fixer le raccord flexible sur les raccords d'adaptation. Veiller à ne pas déformer/écraser le raccord flexible.

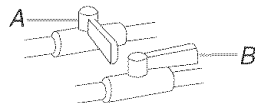


- A. Raccord droit de 3/8"
- B. Raccord d'adaptation de 3/8"
- C. Raccord flexible
- D. Raccord droit de 3/8"
- E. Détendeur
- F. Raccord d'adaptation de 3/8"
- G. Appliquer un composé d'étanchéité.
- H. Robinet d'arrêt manuel



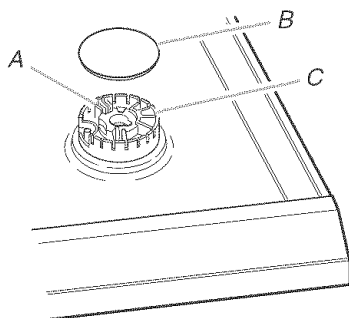
## Compléter le raccordement

1. Ouvrir le robinet d'arrêt manuel sur la canalisation de gaz. Le robinet est ouvert lorsque la manette est parallèle à la canalisation.



A. Robinet fermé  
B. Robinet ouvert

2. Vérifier tous les raccordements en les badigeonnant d'une solution de détection des fuites non corrosive approuvée. L'apparition de bulles indique une fuite. Réparer toute fuite éventuelle.
3. Ôter les chapeaux de brûleur de surface et les grilles du sachet de pièces. Aligner les encoches des chapeaux de brûleur avec les broches dans la base de chaque brûleur. Un chapeau de brûleur correctement placé doit être horizontal. Si le chapeau de brûleur n'est pas correctement placé, le brûleur ne peut s'allumer. Placer les grilles de brûleur sur les brûleurs et chapeaux.



A. Électrode d'allumage  
B. Chapeau de brûleur  
C. Base du brûleur

## ⚠ AVERTISSEMENT

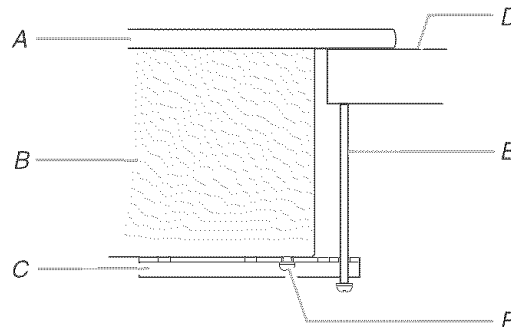


### Risque de choc électrique

- Brancher sur une prise à 3 alvéoles reliée à la terre.
- Ne pas enlever la broche de liaison à la terre.
- Ne pas utiliser un adaptateur.
- Ne pas utiliser un câble de rallonge.
- Le non-respect de ces instructions peut causer un décès, un incendie ou un choc électrique.

## Fixation de la table de cuisson au plan de travail

**REMARQUE :** Cette section s'applique uniquement en cas d'utilisation de brides de fixation.



A. Table de cuisson en verre      D. Plan de travail  
B. Boîte de brûleur                  E. Vis de fixation de 2 1/2" (6,4 cm)  
C. Bride de fixation                  F. Vis d'attache

1. Placer les vis de fixation de 2 1/2" (6,4 cm) dans les brides.
2. Vérifier que la table de cuisson est toujours d'aplomb.
3. À l'aide d'un tournevis à lame plate, serrer les vis sur le plan de travail. Ne pas serrer excessivement.

## Achever l'installation

### Système d'allumage électronique

#### Allumage initial et réglages des flammes

À la place de flammes de veille, les brûleurs de surface sont dotés d'un allumeur électronique. Lorsqu'on place le bouton de commande d'un brûleur de la table de cuisson à la position "LITE" (allumage), le système génère des étincelles pour l'allumage du brûleur. La génération d'étincelles se poursuit aussi longtemps que le bouton de commande est laissé à la position "LITE".

#### Contrôle du fonctionnement des brûleurs de surface

Enfoncer et tourner les boutons de commande des brûleurs de surface à la position "LITE".

Le gaz doit s'enflammer sur le brûleur de surface en moins de 4 secondes. Lors de l'allumage initial du brûleur de surface, le délai d'allumage peut être supérieur à 4 secondes du fait de la présence d'air dans la canalisation de gaz.

Vérifier que la flamme est bleue à la position "HI". Elle doit être propre et douce. On ne doit pas observer de pointe jaune, ni d'effet de soufflage ou de séparation entre les flammes et le brûleur. Il est normal d'observer parfois des éclairs oranges; ceci est dû à différents éléments dans l'air ou le gaz.

Après avoir vérifié le bon fonctionnement du brûleur, tourner le bouton de commande à "OFF" (arrêt).

4. Brancher l'appareil sur une prise à 3 alvéoles reliée à la terre.

### Si le brûleur ne s'allume pas correctement :

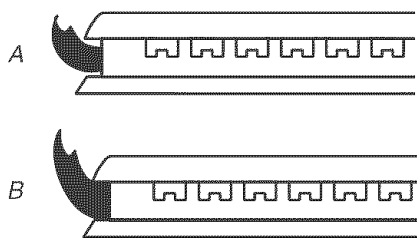
- Ramener le bouton de commande du brûleur de surface à la position "OFF".
- Vérifier que le cordon d'alimentation est branché et correctement alimenté (fusible grillé? disjoncteur ouvert?)
- Vérifier que chaque robinet d'arrêt est ouvert.
- Vérifier que le chapeau de brûleur est correctement placé sur la base du brûleur.

S'assurer à nouveau du bon fonctionnement des brûleurs. Si à ce point un brûleur ne s'allume pas, contacter le revendeur ou un dépanneur agréé.

### Réglage de la taille des flammes

Régler la taille des flammes sur les brûleurs de surface.

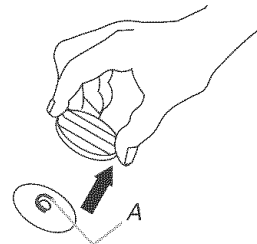
Pour le réglage au débit thermique minimum, on doit observer des flammes stables bleues de 1/4" (0,64 cm).



A. Débit thermique minimum  
B. Débit thermique maximum

### S'il est nécessaire de régler la taille des flammes pour le débit thermique minimum :

La vis de réglage au centre de la tige de commande du robinet permet de régler la taille des flammes. La tige de commande est située directement au-dessous du bouton de commande.



A. Vis de réglage

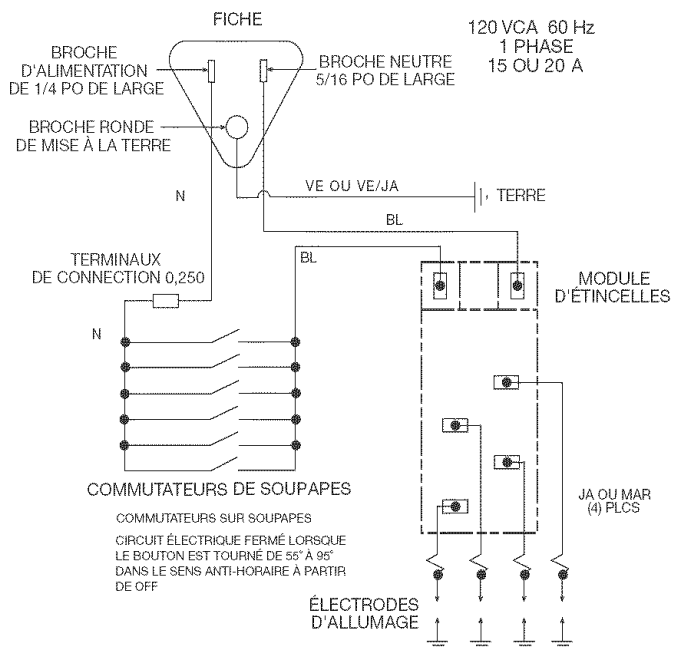
1. Ôter le bouton de commande.
2. Immobiliser la tige de commande avec une pince. Utiliser un petit tournevis à lame plate pour faire tourner la vis située au centre de la tige de commande; ajuster les flammes à la taille désirée.
3. Réinstaller le bouton de commande.
4. Tester le fonctionnement du brûleur : faire passer le bouton de commande de la position "LO" (bas) à la position "HI" (élevé) et observer les flammes pour chaque position.

# SCHÉMAS DE CÂBLAGE

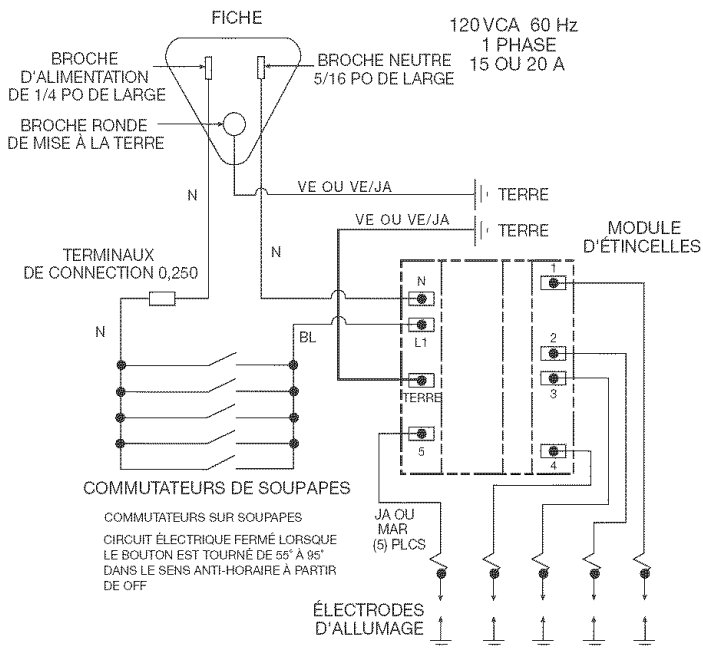
**MISE EN GARDE :** Lors des contrôles d'entretien, placer des étiquettes sur l'ensemble des câbles avant leur débranchement. Des erreurs de câblage peuvent occasionner un fonctionnement incorrect et dangereux.

Le cordon d'alimentation sur cet appareil est équipé d'une fiche à 3 alvéoles reliée à la terre qui s'adapte à toute prise standard à 3 alvéoles reliée à la terre. S'assurer du bon fonctionnement après l'entretien.

## Sur les modèles de 30" (76,2 cm)



## Sur les modèles de 36" (91,4 cm)



**8286304**

© 2005 Whirlpool Corporation.  
All rights reserved.  
Tous droits réservés.

4/05  
Printed in U.S.A.  
Imprimé aux É.-U.