



## TABLE OF CONTENTS

	Page
Important Safety Instructions .....	3
Ownership Registration Card .....	4
Important Facts .....	4
Operating Your Dishwasher .....	5
Get To Know Your Dishwasher .....	6
Energy Savings and Your Dishwasher .....	7
Whisper Quiet System .....	7
Programming Your Dishwasher .....	8
Dishwasher Cycles .....	9
Options .....	10
Systems Monitor .....	11
Special Tips On Dishwasher Use .....	13
Loading Your Dishwasher .....	14
Upper Rack .....	15
Lower Rack .....	16
Silverware Basket .....	17
Filling The Detergent Dispenser .....	18
How Much Detergent To Use .....	19
Low Phosphate Detergents .....	19
Rinse Agents .....	19
Sure-Clean Wash System .....	20
Caring For Your Dishwasher .....	22
Energy Saving Tips .....	23
Seasonal Storage .....	24
To Remove Spots And Film .....	25
To Check Your Water Temperature .....	25
Problem, Cause, Solution Chart .....	26
Changing Front Panels .....	28
Upper Panel .....	28
Lower Panel .....	30
Optional Front Panels .....	30
When You Need Service .....	31
Warranty .....	Back Cover



# IMPORTANT SAFETY INSTRUCTIONS

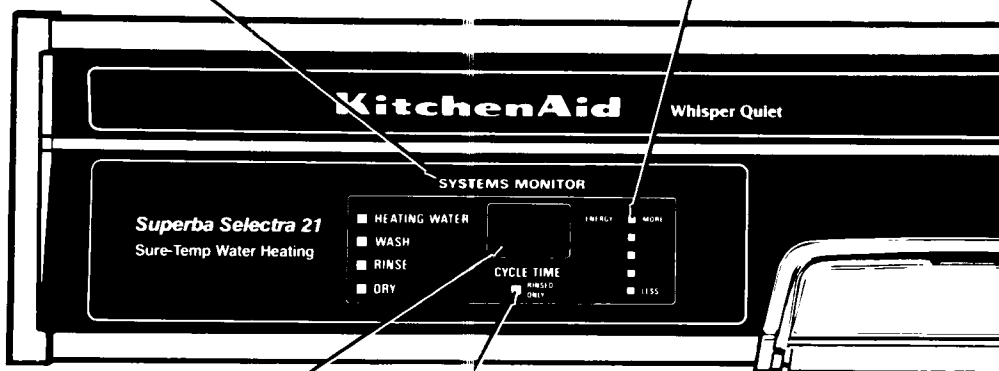
**WARNING:** When using your dishwasher, follow basic precautions, including the following:

1. Read all instructions before using the dishwasher.
2. This dishwasher must be properly grounded; see Installation Instructions for details.
3. Use the dishwasher only for its intended function.
4. Use only detergents or wetting agents recommended for use in a dishwasher, and keep them out of the reach of children.
5. When loading items to be washed:
  - a. Locate sharp items so that they are not likely to damage the door seal.
  - b. Load sharp knives with the handles up to reduce risk of cut-type injuries.
6. Do not wash plastic items unless marked "dishwasher safe" or the equivalent. For plastic items not so marked, check the manufacturers' recommendations.
7. Do not touch the heating element during or immediately after use.
8. Do not operate your dishwasher unless all enclosure panels are properly in place.
9. Do not tamper with controls.
10. Do not abuse, sit on, or stand on the door or dish rack of the dishwasher.
11. To reduce the risk of injury, do not allow children to play in or on a dishwasher.
12. Under certain conditions, hydrogen gas may be produced in a hot water system that has not been used for two weeks or more. *Hydrogen gas is explosive.* If the hot water system has not been used for such a period, turn on all hot water faucets and let the water flow from each for several minutes. This will release any accumulated hydrogen gas. Since the gas is flammable, do not smoke or use an open flame during this process.
13. Remove the door to the washing compartment when removing an old dishwasher from service or discarding it.

## SAVE THESE INSTRUCTIONS

**SYSTEMS MONITOR**  
tells you what phase of a cycle the dishwasher is in at any time.

**ENERGY USE INDICATOR**  
shows the relative amount of energy used for any cycle combination



**CYCLE TIME WINDOW**  
a count-down timer which shows the amount of time left in a cycle, the number of hours you have selected to delay a cycle, and a number of other special signals.

**RINSED ONLY LIGHT**  
reminds you that dishware has only been rinsed and not washed, using the Rinse & Hold Cycle.

## OWNERSHIP REGISTRATION CARD

### Take a minute...

Before you use your dishwasher, please fill out and mail your ownership registration card. This card will enable us to contact you in the unlikely event of a product safety notification and assist us in complying with the provisions of the Consumer Product Safety Act. **THIS CARD DOES NOT VERIFY YOUR WARRANTY.**

Keep a copy of the bill of sale showing the date of purchase and/or date of installation of your dishwasher. **PROOF OF PURCHASE WILL INSURE YOU OF IN-WARRANTY SERVICE.**

Write down the following information. You will need it if your dishwasher ever requires service.

Model Number\* \_\_\_\_\_

Serial Number\* \_\_\_\_\_

Date Purchased \_\_\_\_\_

Date Installed \_\_\_\_\_

Dealer's Name \_\_\_\_\_

Address \_\_\_\_\_

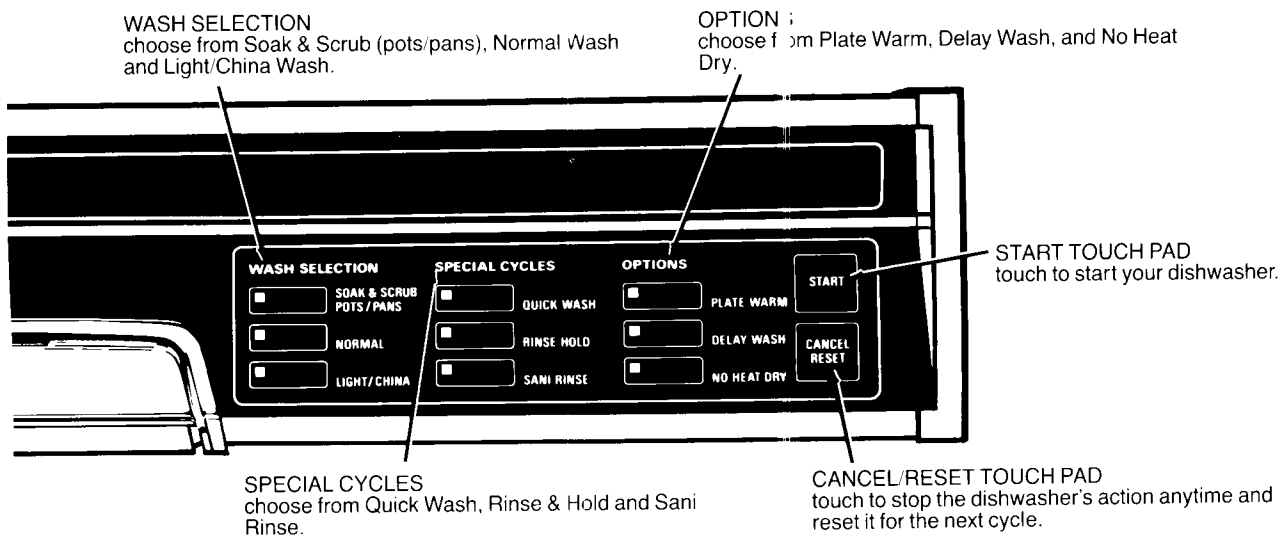
Phone \_\_\_\_\_

## IMPORTANT FACTS

### You Should Know That...

- KitchenAid dishwashers operate on 115 volts, 60 hertz A.C. house current. They cannot be converted to operate on 220 volts, 50 hertz house current.
- To protect against possible rupture of fill valve, BE SURE water lines leading to the dishwasher as well as water lines in the dishwasher are protected against freezing. Such ruptures are *not* covered by the warranty.
- The door hinges or latch mechanism of your dishwasher should be removed if you discard or otherwise remove your dishwasher from service. In California, it is a misdemeanor for anyone discarding the appliance not to follow this safety procedure. This extra step can save the lives of curious children at play.

\*Model and Serial Numbers are located on a label at the left side of the door opening.

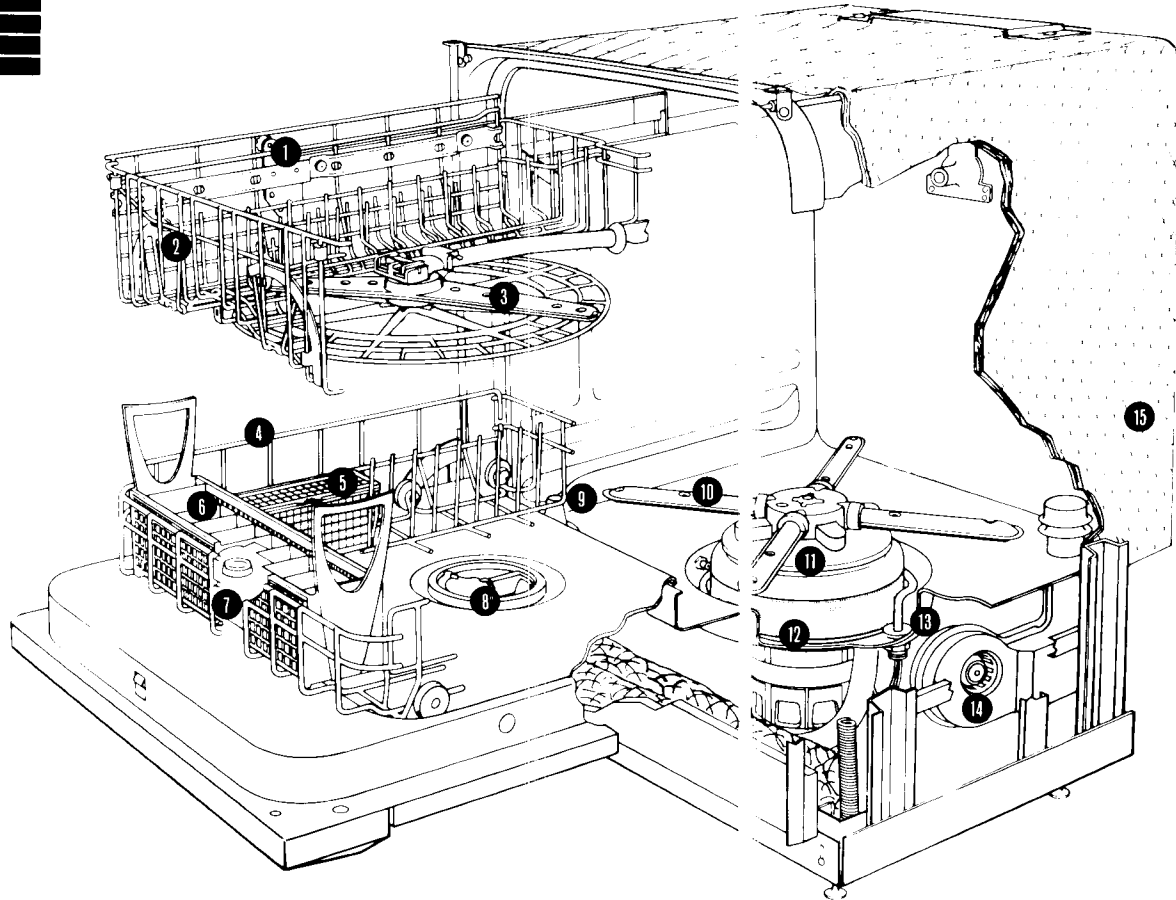


## OPERATING YOUR DISHWASHER

- Step 1. Load dishes into racks according to the instructions on pages 14 through 16. **DO NOT OPERATE DISHWASHER WITHOUT RACKS IN PLACE.**
- Step 2. Add detergent to detergent dispenser. See page 18.
- Step 3. Firmly close the door and latch it by pushing the door handle down.
- Step 4. Touch the pad next to the desired cycle. See page 9 for description of cycles.
- Step 5. Touch the START pad. The rest is automatic. The dishwasher will wash and dry dishware according to the cycle selected.



## GET TO KNOW YOUR DISHWASHER



### The Inside Story

- |  |   |
|--|---|
| 1. 16-Position Adjustable Upper Rack       | 8. Detergent Dispenser                  |
| 2. Stay-Put Flex-O-Dividers                | 9. Overflow Protection Float            |
| 3. Upper Level Power Wash With China Guard | 10. 4-Way Hydro Sweep Wash              |
| 4. Lower Rack                              | 11. Self-Cleaning Filter With Jet Spray |
| 5. Small Items Basket                      | 12. Removable Coarse Strainer           |
| 6. Cutlery/Silverware Basket               | 13. Water-Heating Element               |
| 7. Automatic Rinse Agent Dispenser         | 14. Floor-Dry Drying Fan/Heater         |
|  | 15. High-Density Insulation             |



## ENERGY SAVINGS AND YOUR DISHWASHER

### Automatic Water Heating

The first wash portion of the cycle selected (excluding Quick Wash and Rinse and Hold) is delayed until the water is heated to approximately 140°F (60°C). This means that you can turn your home water heater down to provide a minimum of 120°F (49°C) incoming water to the dishwasher rather than 140°F (60°C)—saving you approximately 10% of your total household water heating energy.

If the water temperature inside the dishwasher is 120°F, it will take about 10 minutes to heat the first water fill to 140°F. Higher water temperatures will shorten the cycle time while lower water temperatures will lengthen the cycle time and possibly decrease washing performance.

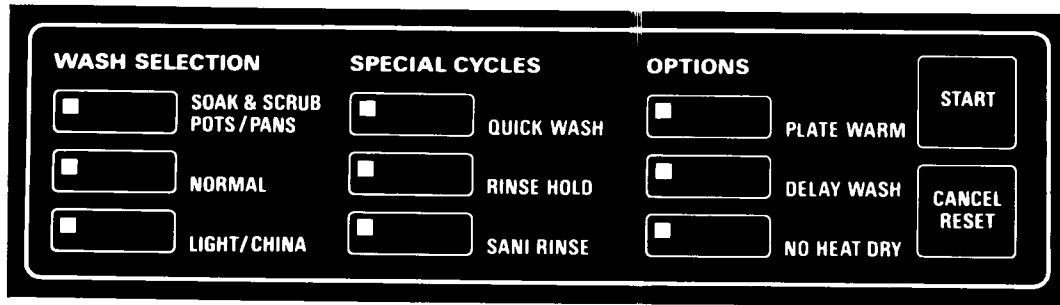
The WATER HEATING LIGHT will glow while water is being heated in the dishwasher, prior to the wash portion of the selected cycle. If the SANI RINSE option is selected, the WATER HEATING LIGHT will come on again while water is being heated, just prior to the last rinse of the cycle. No water circulation takes place during these water heating periods. The wash and/or rinse portion of the cycle is delayed until the water reaches the correct temperature.



### ***KitchenAid Whisper Quiet System***

Your KitchenAid dishwasher is equipped with a unique sound reduction system. The Whisper Quiet System is designed to eliminate the common sounds heard while a dishwasher is operating. A triple layer of high density insulation combined with a redesigned wash impeller bring you such an unusually quiet operation, you may wonder if your dishwasher is actually on.

## PROGRAMMING YOUR DISHWASHER



Start at the left side of the controls and work to the right.

To select a cycle, touch the pad next to the cycle you want. Be sure to touch the center of each pad when making selections. A tone signal will be heard and a light will come on to remind you of what you selected.

The lights will go out 30 seconds after the last pad is touched but the selection is still in the dishwasher's memory.





## WASH SELECTION

**SOAK & SCRUB CYCLE** is used to soak, wash and dry hard-to-clean heavily soiled pots, pans and casseroles along with regular tableware. Choose this cycle for your toughest jobs.

What happens during this cycle? This cycle starts with a soak and scrub period, followed by two wash periods with after rinses, and a heated dry period.

**NORMAL WASH CYCLE** is used to wash and dry daily loads with normal to heavy amounts of food soil.

What happens during this cycle? There are two wash periods with after rinses, followed by a heated dry period.

**LIGHT/CHINA CYCLE** is used to wash and dry daily loads with light to normal amounts of food soil. This cycle uses less water and time than any other wash cycle and is the most energy efficient.

What happens during this cycle? There are two wash periods with an after rinse followed by a heated dry period.

## SPECIAL CYCLES

**QUICK WASH** is used to quickly wash daily loads with light amounts of food soil such as glasses, coffee cups, saucers and dessert dishes.

What happens during this cycle? There is one wash period with an after rinse and a heated dry period. Water is not heated during this cycle. *NOTE: To save time and energy, touch the NO HEAT DRY pad.*

**RINSE & HOLD** is used to rinse food soil from partial loads of dishes until a full load is accumulated. No detergent is used. Dishware is kept moist until a complete wash and dry cycle can be run.

What happens during this cycle? This cycle provides one rinse. Following this cycle, the RINSED ONLY LIGHT on the left side of the control panel will glow when the door is unlatched as a reminder that the dishes have only been rinsed, not washed. The SANI RINSE and NO HEAT DRY options cannot be used with the RINSE & HOLD CYCLE.

**SANI RINSE** can be used with any Wash Selection (except Quick Wash) to heat the final rinse water to approximately 165°F (74°C) to sanitize the dishware.



## OPTIONS

**PLATE WARM** is used to warm dinnerware before serving so your food stays warm longer. Just load the clean dinnerware into the dishwasher, touch the PLATE WARM pad and START. The flo-thru drying system circulates hot air over the dinnerware to warm it.

**DELAY WASH** is used to delay starting a cycle for up to 9 hours, in one hour increments. After making all Wash and Option Selections, press the DELAY WASH pad the appropriate number of times for the number of hours you want to delay a cycle; then touch the START pad.

The DELAY WASH option counts down in reverse. Therefore, you touch once for 9 hour delay, twice for 8 hours, three times for 7 hours, and so on. "H" will flash in the CYCLE TIME WINDOW until you touch START. The number of hours before the cycle begins will always appear in the CYCLE TIME WINDOW. Once the cycle starts, the cycle time will appear in the CYCLE TIME WINDOW.

The dishwasher's memory will remember the last DELAY WASH setting. So if the last setting was for a 6 hour delay, a "6H" will appear in the CYCLE TIME WINDOW and the countdown will begin from this point.

**CAUTION: If your home is equipped with a water softener, make sure the dishwasher is not timed to start during regeneration of the softener.**

## TO CANCEL DELAY WASH

If you change your mind and decide not to delay the start of the cycle, cancel the DELAY WASH by touching the CANCEL pad twice; then touch START. The dishwasher will wash and dry your dishware immediately, according to the program previously selected.

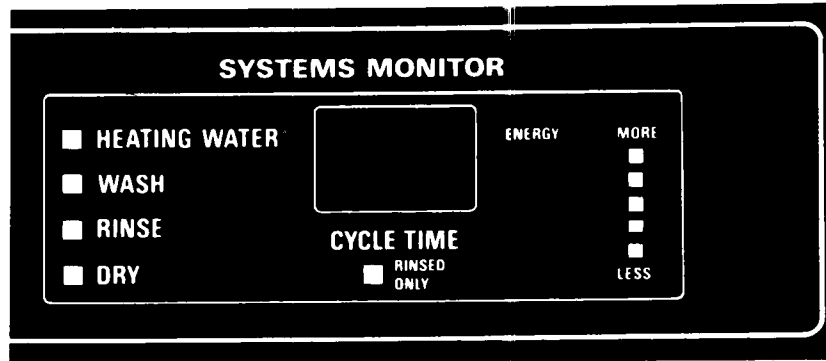
**NO HEAT DRY** can be used with Soak and Scrub, Normal, and Light/China cycles. This option shuts off the heating element as the fan continues to operate, recirculating room temperature air over the dishes.

**START** is touched after all selections are made. The dishwasher will wash and dry your dishware according to the program you have selected.

**CANCEL/RESET** is used to cancel any cycle in progress. When this pad is touched, you will hear the sound of water draining. This is normal. The dishwasher will then automatically turn itself off.

To select a new cycle, touch the appropriate pads and then touch START. If a new program is not selected, the previously programmed WASH SELECTION will remain in the dishwasher's memory and may be reselected by touching the START pad only. All SPECIAL CYCLES and OPTIONS are cancelled when the CANCEL pad is touched so these must be reselected.

## SYSTEMS MONITOR



The SYSTEMS MONITOR lights tell you what phase of a cycle the dishwasher is in at any time.

WATER HEATING LIGHT comes on when water in dishwasher is being heated to approximately 140°F (60°C).

CYCLE TIME DISPLAY provides information codes and the number of minutes remaining in a cycle.

RINSED ONLY LIGHT comes on when door is unlatched after running the Rinse & Hold cycle, indicating that the dishes have only been rinsed, not washed.

ENERGY INDICATOR shows the relative amount of energy used for any cycle combinations.

### ADDING DISHWARE DURING A CYCLE

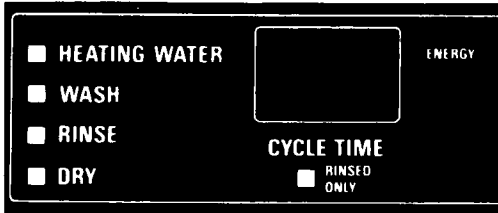
You can add a forgotten item to the dishwasher anytime before the wash portion of the cycle. To stop the cycle, just unlatch the door handle. However, opening the door during a cycle lessens the cleaning power, so try to load all items before starting the cycle.



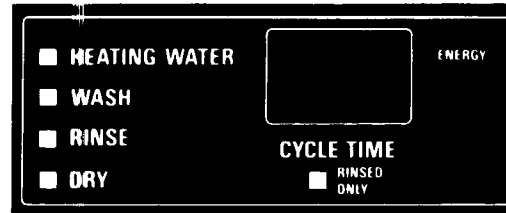
## CYCLE TIME WINDOW

Letters will appear in the CYCLE TIME WINDOW to let you know what's happening inside your dishwasher.

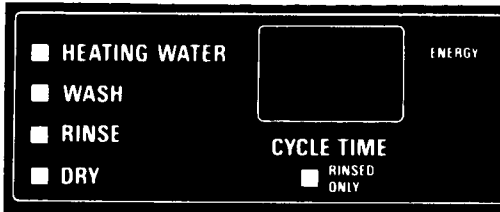
If the door has been left open, dO will appear.



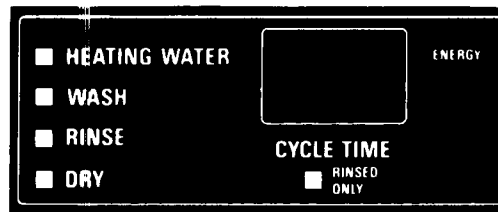
If the CANCEL pad has been touched, CA will appear.



If the power in the house or in the dishwasher has failed during the wash cycle\*, PF will appear.



If a cycle delay has been selected, the number of hours will appear, for example "9H."



\*This includes an open circuit breaker, a blown fuse, or a loss of service from your local utility. The PF will appear after power has been restored to the dishwasher. To re-program, touch CANCEL. Check the detergent dispenser and refill if empty, reselect your Wash Cycle, Special Cycles, and Options, and then touch the Start pad.

## SPECIAL TIPS ON DISHWASHER USE

### What Can and Cannot Be Washed in Your Dishwasher

Most tableware, cookware, and silverware can be safely washed in your KitchenAid dishwasher. If you have any doubts about a particular piece of dishware, check with the manufacturer to see if it is dishwasher safe. If you cannot reach the manufacturer, sim-

ply test-wash a small item for several weeks before attempting to wash an entire set.

**REMEMBER:** It is the user's responsibility to determine if dishware should be washed in a dishwasher.

Material	Dishwasher Safe?	Exceptions/ Special Information	Material	Dishwasher Safe?	Exceptions/ Special Information
Aluminum	Yes	High water temperature and detergents may affect finish of anodized aluminum.	Pewter	No	High water temperatures and detergent may discolor or pit finish.
Cast Iron	No	Seasoning will be removed, and iron will rust.	Disposable Plastics	No	Cannot withstand high water temperatures and detergents.
China/ Stoneware	Yes	Always check manufacturers' recommendation before washing. Antique, hand-painted or over-the-glaze patterns may fade. Gold leaf may discolor. If in doubt, test-wash a small item for several weeks before washing an entire set.	Plastics	Yes	Always check manufacturers' recommendation before washing. Plastics vary in their capacity to withstand high water temperatures and detergents.
Crystal	Yes	Always check manufacturers' recommendation before washing. Some types of leaded crystal may etch with repeated washings. If in doubt, test-wash a small item for several weeks before washing an entire set.	Stainless Steel	Yes	Run a RINSE & HOLD CYCLE if not washing immediately. Prolonged contact with foods containing salt, vinegar, milk products or fruit juice could damage finish.
Dirilyte	No	Gold-colored flatware will discolor.	Sterling Silver or Silverplate	Yes	Run a RINSE & HOLD CYCLE if not washing immediately. Prolonged contact with food containing salt, acid or sulfide (eggs, mayonnaise and seafood) could damage finish.
Glass	Yes	Milk glass will yellow with repeated dishwasher washing.	Tin	No	May rust.
Hollow-Handle Knives	No	Handles of some knives are attached to the blade with adhesives which may loosen if dishwasher washed.	Wooden Ware	No	Always check manufacturers' recommendation before washing. Untreated wood may warp, crack or lose its finish.

## LOADING YOUR DISHWASHER

Your KitchenAid dishwasher is designed with lots of loading space. Glasses, mugs, saucers and saucepans can be loaded in either the upper or lower rack. For best results, dishware should be loaded so soiled surfaces face the rotating wash arm.

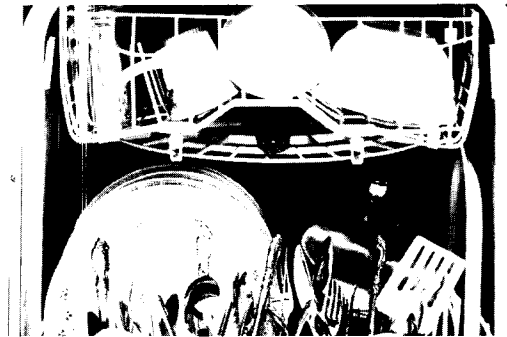
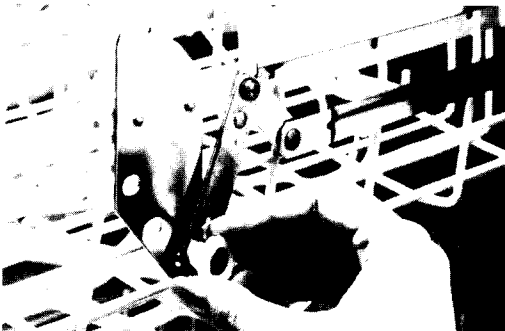
No hand rinsing is necessary before loading your KitchenAid dishwasher. *Just scrape* leftover food, bones, toothpicks and other hard items from the dishware.

Some foods like eggs, rice, pasta and cooked cereals may be hard to remove if left to dry over a period of time. If you do not plan to wash your dishes fairly soon after use, run a RINSE & HOLD CYCLE to keep them moist until you are ready to run the next wash cycle. Never prewash dishes with a hand dishwashing detergent. It will cause sudsing in the dishwasher and result in poor cleaning and/or spotting and filming on the dishware.

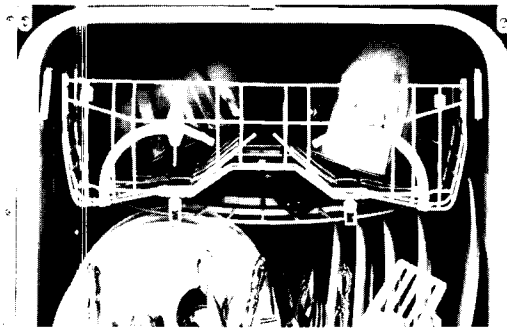
### ADJUSTABLE UPPER RACK

Your KitchenAid dishwasher features a 16-position upper rack which can easily be adjusted whether empty or full.

- Pull the upper rack out so the knobs on either side of the rack are easily reached.
- Pull knob on side of rack out from the retainer plate, raise or lower to desired level, and place knob pin into one of the four holes in the retainer.

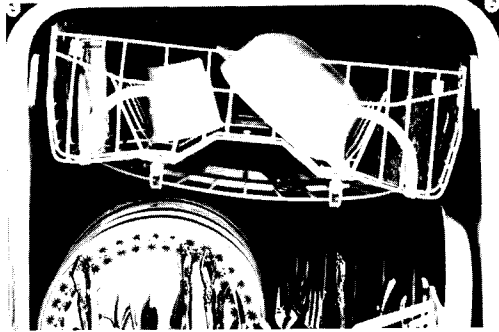


Use the *High Position* when loading platters, trays, large roasting pans and other baking utensils in the lower rack.

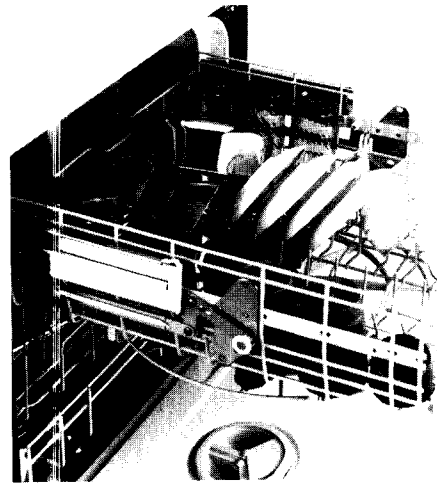


Use the *Low Position* when loading pitchers, deep bowls, and tall stemware in the upper rack.

For a *Combination/Tilted Position*, either side of the rack may be raised or lowered independently of the other to accommodate extra large items in both racks.



## UPPER RACK LOADING EXAMPLES

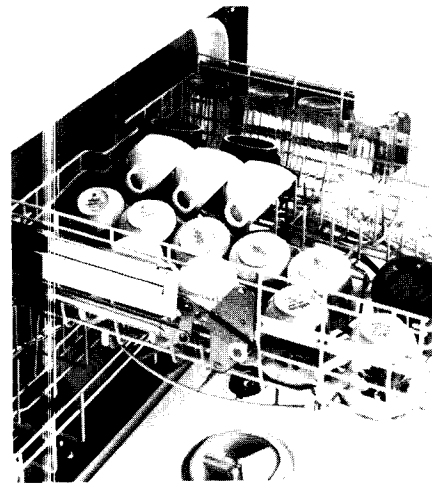


- Lightweight plastics or glassware and stemware should be locked into place using the outside row of flex-o-dividers. Additional glasses, cups, bowls, saucers, and pans, may also be loaded in the upper rack between and over pins in a stable manner.

## FLEX-O-DIVIDERS



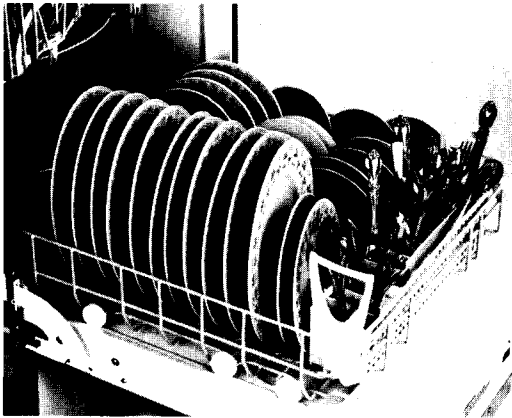
A pair of adjustable dividers are located on either side of the fixed center row pins. Each divider works independently of the other and can be changed to fit loading needs. To adjust, place thumb and index fingers on pins and squeeze towards each other. Secure pin into selected notch or fold down flat. The outside row folds towards the outside of the rack, and the inside row folds towards the center pins.



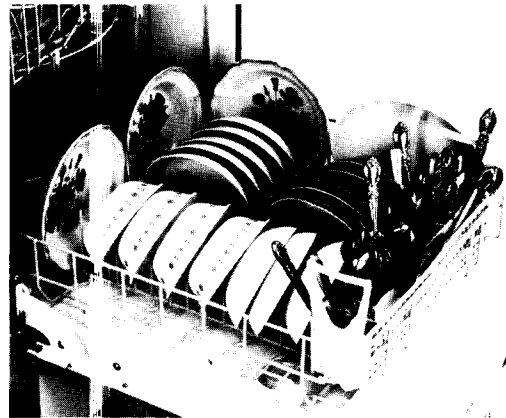
- Load coffee cups and mugs in positions illustrated to insure proper drainage. Tilt cups and mugs with concave bottom surfaces to aid drainage.

## LOADING YOUR DISHWASHER

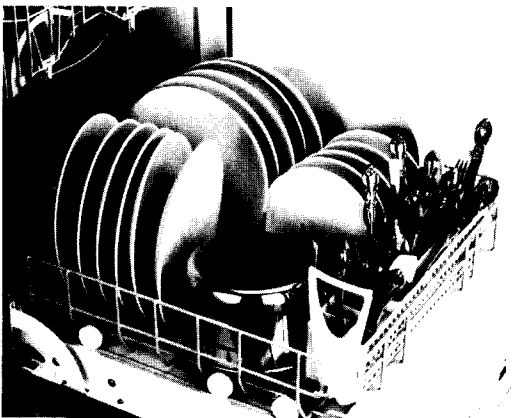
### LOWER RACK LOADING EXAMPLES



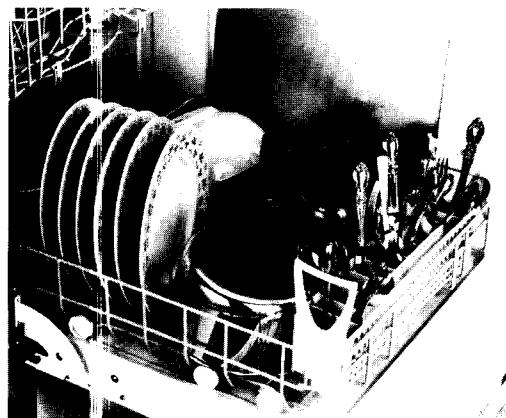
- For maximum capacity and stability of an all-plate load, overlap or "butterfly" small plates on right side, as shown.



- Cereal and soup bowls may be loaded front to back, side to side and along the edges depending on the shape of the bowls.



- Plates may be loaded front to back or side to side with pots, pans and large cookware.



- Glasses may be loaded in the upper or lower rack along with plates, bowls and sauce pans.

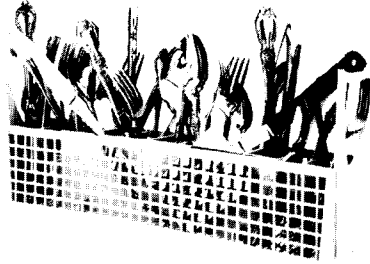


## SILVERWARE BASKET

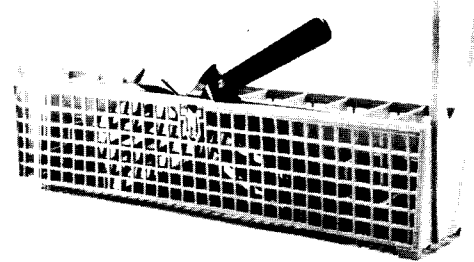
The silverware/cutlery basket can be removed for loading and unloading.

For best washing results:

- Load slim handled silverware with handles up to prevent them from protruding through the basket, possibly causing damage to the silverware or dishwasher.



- Sharp utensils should be loaded with handles up to prevent possible injury.
- The cutlery section in the front of the basket is for long-handled utensils and long knives.

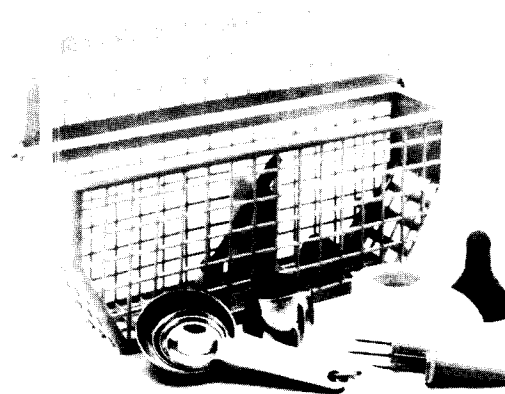


- Load forks and spoons so they do not nest together. Nested items cannot be properly washed.



**NOTE:** Silver and stainless steel flatware may be damaged if exposed to foods containing salt, vinegar, milk products, or fruit juices for long periods of time. Use the **RINSE AND HOLD CYCLE** if flatware is not washed immediately after use.

## SMALL ITEMS BASKET



This basket is used for baby bottle nipples, coffee holders, measuring spoons, and other small items. It can be placed in either dishwasher rack.

## FILLING THE DETERGENT DISPENSER

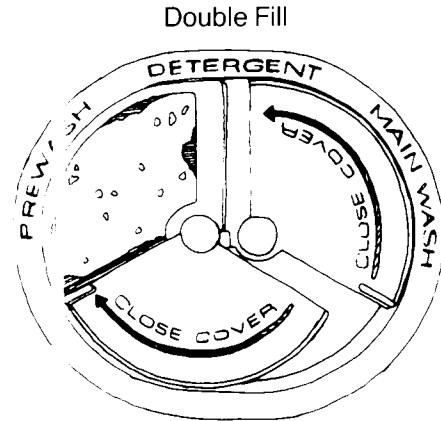
### Low Suds Mean High Performance

1. Use an automatic dishwasher detergent such as ALL, CASCADE, ELECTRASOL, or FINISH.

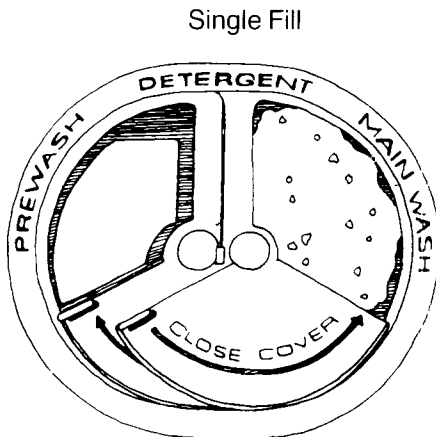
Never use soap, hand dishwashing detergent, laundry detergent or laundry enzyme products. They will produce excessive suds and slow down the wash arm action which could cause flooding.

2. Add detergent to the dispenser immediately before starting. Detergent exposed to moisture over a period of time may become caked and ineffective. An open box of detergent should stay fresh for about one month.

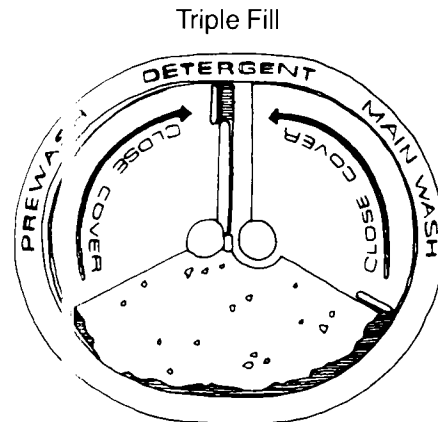
3. Fill the dispenser with the proper amount of detergent, and close the compartment. The indentation is used for the SOAK AND SCRUB CYCLE ONLY.



Double Fill is used for the Light/China Cycle and the Normal Wash Cycle.



Single Fill is used for the Quick Wash Cycle and occasionally for the Light/China Wash Cycle when dinnerware is lightly soiled.



Triple Fill is used for the Soak & Scrub Cycle only.



## HOW MUCH DETERGENT TO USE

### Some Hard Facts:

ALWAYS use at least one tablespoon of automatic dishwashing detergent in Main Wash compartment because there are ingredients in detergent to help protect your dinnerware. The amount of detergent needed depends on the amount of food soil on the dishes and the hardness of water. If you have hard water, you will have to use more detergent than if you have soft water. Excessive amounts of detergent combined with soft water may cause etching of glass. Contact your local water utility, area water softening company, or state university extension agent to determine whether your water is hard or soft.

WATER HARDNESS	AMOUNT OF DETERGENT
Soft Water 0-4 grains per gallon	Fill each dispenser half full (approximately 2 tablespoons per dispenser)
Medium Hard Water 4-8 grains per gallon	Fill each dispenser $\frac{3}{4}$ full (approximately $2\frac{1}{2}$ tablespoons per dispenser)
Hard Water 8-12 grains per gallon	Fill each dispenser completely (approximately 3 tablespoons per dispenser)

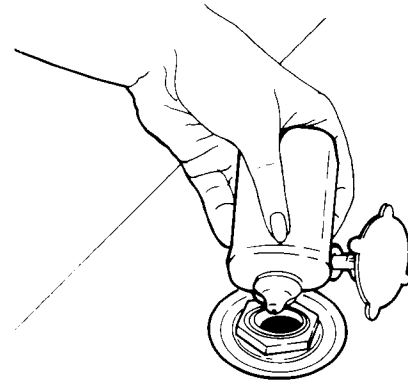
## LOW PHOSPHATE DETERGENTS

If you live in a state that mandates low-phosphate dishwasher detergents (phosphate content of 8.7 percent or less), you may find it necessary to use more detergent, particularly if you have hard water. Low-phosphate detergents usually work well in soft water, but in hard water they can cause spotting and filming, even if the amount of detergent used is increased.

## RINSE AGENTS

### Win The War Against Spotting

Because a rinse agent enables water to sheet off dishware faster than normal, the likelihood of water spots is reduced and the drying process is speeded up. Your dishwasher uses a liquid rinse agent. To fill the rinse agent dispenser, unscrew the cap located to the left of the detergent dispenser. This reservoir will hold 7 fluid ounces of rinse agent, enough to last a few months. Be sure to replace the cap after filling the reservoir. A small amount of rinse agent is automatically released during the final rinse. Liquid rinse agents such as JET DRY are available in your local supermarket.

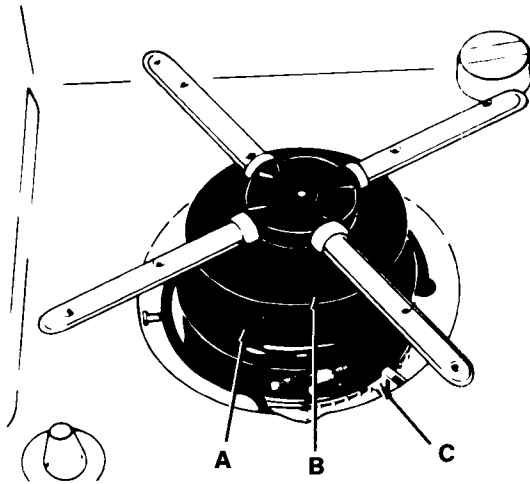


**WARNING: DISHWASHER DETERGENTS AND RINSE AGENTS CAN BE HARMFUL IF TAKEN INTERNALLY. FOR SAFETY'S SAKE, PLEASE STORE THESE PRODUCTS OUT OF CHILDREN'S REACH.**

## SURE-CLEAN WASH SYSTEM

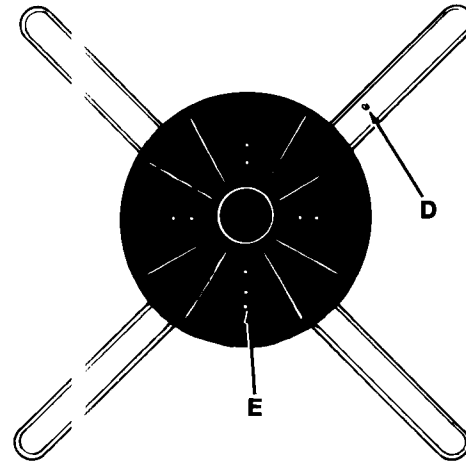
The Sure-Clean Wash System in your dishwasher provides the best washability with a minimum of care. To achieve the best results possible, the wash water is continuously filtered by a triple filtration and soil

spray action of water from the single spray nozzle (D) located under the wash arm. The ultrafine filter is cleaned by the nine water jets (E) beneath the 4-Way Hydro Sweep Wash Arm.



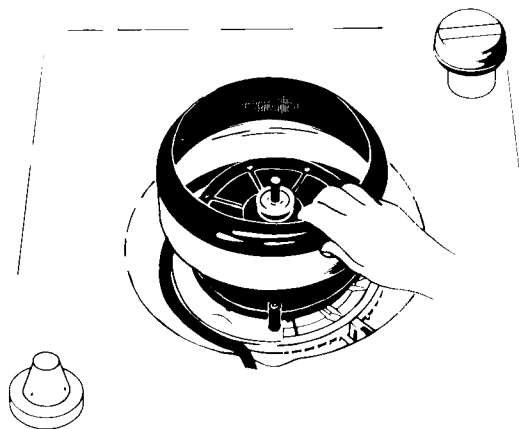
collector system to prevent food particles from redepositing on clean dishes. The triple filtration system consists of a removable filter (A), an ultrafine filter (B) and a removable coarse strainer (C).

The removable filter continuously filters the wash water, trapping the food particles that have been removed from the dishes on the outside of the filter. These trapped food particles are removed from the filter by the jet



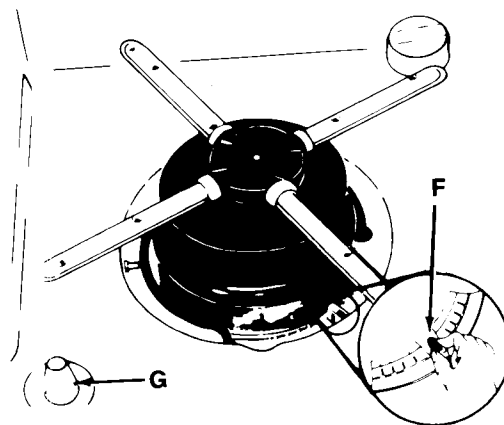
The removable coarse strainer (C) prevents bones, pits and other large objects from entering the pump system. Occasionally check the strainer for such items such as these that may have mistakenly gotten into the dishwasher.

The 4-Way Hydro Sweep Wash Arm, the removable filter and the coarse strainer may be removed and cleaned if necessary. TO REMOVE the filter, first lift the 4-Way Hydro Sweep Wash Arm straight up. Check underside of wash arm to make sure the spray nozzle (D) and the nine water jets (E) are not blocked with food or large objects. Next,



lift the removable filter straight up and out. To clean, scrub filter with a stiff brush under running water. To replace, snap removable filter over the ultrafine filter and then replace the wash arm. When replacing wash arm, be sure that water jets on the wash arm are facing up.

The coarse strainer may be removed if necessary. To remove, lift strainer out by squeezing center section (F) and remove. To replace, squeeze center section so clips snap into square notch.



The Overflow Protection Float (G) in the front left corner of the dishwasher tank prevents the dishwasher from overflowing. The float must be in place for the dishwasher to operate.

**NOTE:** A small amount of water always remains in the bottom of the dishwasher (under the ultra-fine filter) to keep the seal moist and prevent it from drying out and cracking.

**CAUTION:** Heating element will be hot immediately following cycle, do not touch.

## CARING FOR YOUR DISHWASHER

### General Cleaning

The porcelain enamel interior of your dishwasher will seldom need cleaning. However, if mineral deposits from hard water accumulate, the interior can be cleaned with a mild scouring powder such as BON AMI or the methods indicated in the section "To Remove Spots and Film" on page 25.

The control panel can be wiped clean with a damp cloth, then dried. NEVER use detergents or abrasive or powdered cleansers which can mar the finish.

The enamel or wood fronts and sides can be cleaned with a soft cloth and a mild, non-abrasive soap and water solution. NEVER use paper towels for cleaning. Always dry with a soft cloth.

Periodically check the sump area for small items which may have fallen from the racks.

### Drain Air Gap

Some state or local plumbing codes require the addition of a drain air gap between a built-in dishwasher and the home drain system. This device protects your dishwasher against water backing up into it when a drain clogs.

The drain air gap is usually located on top of the sink or countertop near the dishwasher, as shown in illustration.

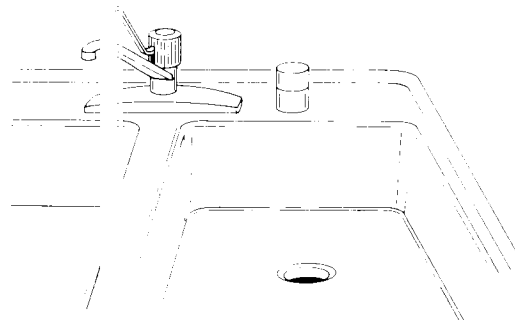
*REMEMBER: This external plumbing device is not part of your KitchenAid Dishwasher.*

### To clean the drain air gap:

Clean the drain air gap periodically to insure proper drainage of your dishwasher. Follow drain air gap cleaning instructions provided by the manufacturer. With most types, just lift off the chrome cover, unscrew the plastic cap, and then check for any buildup of soil. Clean, if necessary.

### CHECK THE AIR GAP ANYTIME YOUR DISHWASHER ISN'T DRAINING WELL.

*REMEMBER: The warranty provided with your dishwasher does not cover service costs directly associated with the cleaning or repair of the external drain air gap.*





## **ENERGY SAVING TIPS**

### **Power to Spare...**

- Use the NO HEAT DRY option whenever possible. If you don't need your dishes right away, it pays to air dry them.
- Flash Dry dishes. Because of the heat buildup in dishware during the wash cycle, they can be flash dried (a process which causes water to evaporate very quickly). To flash dry your dishware, push CANCEL pad shortly after dry light comes on; when dry light goes out, open the door and pull out the racks. REMEMBER: In hard water areas, flash drying can increase the likelihood of spotting and filming.
- Turn the temperature setting on your home water heater down to provide a minimum of 120°F (49°C) incoming water to the dishwasher.
- Use the Light/China Wash Cycle when possible. This cycle uses less water and time than any other wash cycle and is the most energy efficient.
- Run the dishwasher only with a full load.
- Do not rinse dishware before loading.
- Use only the cycle and options that you need.
- Run the dishwasher at night during the summer to avoid daytime heat load.



## SEASONAL STORAGE

### Closed for the Season

CAUTION: To protect against possible rupture of fill valve, BE SURE water lines leading to, as well as in the dishwasher, are well protected against freezing. RUPTURES OF THIS KIND ARE NOT COVERED BY THE WARRANTY.

### The Winter Season:

To safeguard your KitchenAid dishwasher when it is exposed to freezing temperatures in a seasonal dwelling, have your local KitchenAid service person do the following:

1. Close and latch the door. Touch the cancel pad and drain dishwasher.
2. Turn off electricity to the dishwasher.
3. Shut off water supply. Place pan under fill valve, and disconnect fill valve at both inlet and outlet sides. Drain water into pan.
4. Place a pan under the check valve outlet, and disconnect the flexible tubing at the check valve. Drain machine water into pan. Leave fill and check valve disconnected.

To restore service, reconnect the fill valve and the connection at the check valve. Turn on the electricity and the water supply. Close door. Select QUICK WASH CYCLE, firmly latch door and let the machine complete its cycle. Check connections to make sure they are water tight and do not leak.

### The Summer Season:

Two simple steps will safeguard your KitchenAid dishwasher during an idle summer.

1. Turn off the water supply.
2. Turn off electricity to the dishwasher.





## **TO REMOVE SPOTS AND FILM**

To remove spots and film on dishware and glasses, or hard water film on the interior of the dishwasher, you may want to use stripping products such as LIME-A-WAY or GLASS MAGIC. These products are available in the detergent section of your local grocery store; follow the manufacturers' directions.

Or you may use vinegar with the following procedure:

1. Load clean dishes and glasses in dishwasher in regular manner. Do not load silverware or other metals in the dishwasher.
2. Close and latch door and select QUICK WASH CYCLE and NO HEAT DRY. Do not use detergent. When dishwasher has filled, unlatch and open door. Add 2 cups of household vinegar. Close and latch door.
3. For a final polish, put two tablespoons of non-precipitating type water conditioner (such as CALGON) in the right-hand Main Wash compartment of detergent dispenser and run dishwasher through QUICK WASH CYCLE with NO HEAT DRY.

## **TO CHECK YOUR WATER TEMPERATURE**

For best dishwashing results, water should be at least 120°F (49°C) as it enters the dishwasher. To check the temperature, test it at the faucet located nearest your dishwasher.

1. Set the faucet control for the hottest water possible. Run water into a glass set in the sink for at least one minute, allowing it to overflow.
2. Place a candy or meat thermometer into the water and read it at the maximum setting.
3. If the temperature is too low, raise the setting on your water heater.

## PROBLEM, CAUSE, SOLUTION CHART

### Look Here First...

A convenient checklist for handling minor performance problems. Go over this list before calling for service. If you can't solve

your dishwasher's problem, turn to page 31 for service information.

PROBLEM	CAUSE	SOLUTION
Food Soil Left On Dishes	Slowdown of wash arm due to high suds	Use recommended dishwasher detergents only. Never use soap or laundry detergent to increase amount of suds.
	Improper loading	Follow loading instructions in dishwasher Use and Care Guide.
	Low water pressure due to insufficient fill	Home water pressure should be 20 to 120 psi for proper dishwasher fill. A booster pump on the water supply may be necessary if pressure is too low.
	Use of incorrect, too little or ineffective detergent	Use recommended dishwasher detergents only. Follow recommendations in Use and Care Guide for amounts; never use less than one tablespoon per load. Detergent must be fresh to be effective. Always store it in a cool, dry area, preferably in an airtight container.
	Detergent cakes in dispenser	Use fresh detergent only. Do not allow detergent to sit for several hours in a wet dispenser. Have dispenser checked to make sure it is working properly.
	Water temperature is too low	Turn home water heater up so water entering dishwasher is 120°F (49°C) minimum. See recommended procedure "To Check Water Temperature" on page 25.
	Filter cleaning spray nozzle on wash arm is blocked	Remove lower wash arm and turn upside down. Check single stainless steel spray nozzle and nine water jets located on underside of wash arm. See page 20. If openings are blocked, clean out with a toothpick.
Spotting and Filming	Hard water or high mineral content in water	Conditioning the final rinse water with a liquid rinse agent helps eliminate spotting and filming. Keep the dispenser full with a rinse agent, such as JET DRY, at all times.
	Water temperature is too low	Turn home water heater up so water entering dishwasher is 120°F (49°C) minimum. See recommended procedure "To Check Water Temperature" on page 25.
	Use of incorrect detergents	Use recommended dishwasher detergents only.
	Incorrect amount of detergent	Follow recommendations in dishwasher Use and Care Guide for amount. Heavy soil and hard water generally require extra detergent.
	Use of ineffective detergents	Detergent should be fresh and stored in a cool, dry place, preferably in an airtight container. Discard lumpy detergent.
Insufficient fill caused by low water pressure	Home water pressure should be 20 to 120 psi for proper dishwasher fill. A booster pump on the water supply may be necessary if pressure is too low.	

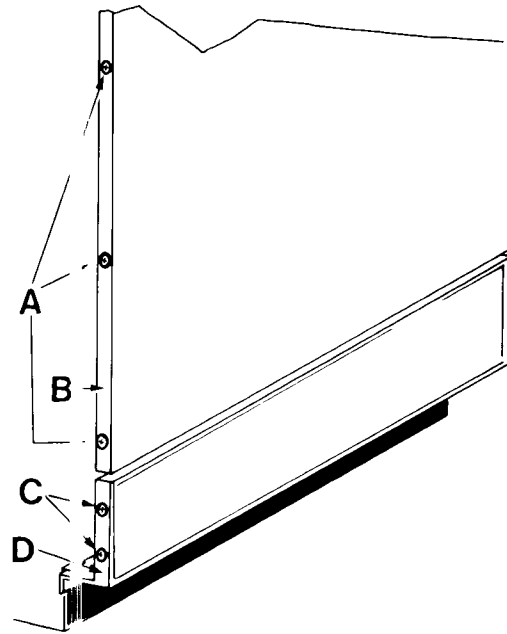
PROBLEM	CAUSE	SOLUTION
Cycle Takes Extremely Long Time	Water temperature is too low	Turn home water heat up so water entering dishwasher is 120°F (49°C) minimum. See recommended procedure "To Check Water Temperature," page 25.
Dishes Do Not Dry Completely	Dishes do not drain properly  Plastics	Dishes must have proper water drainage. Do not overload. Follow instructions for loading in dishwasher Use and Care Guide. Use a liquid rinse agent to speed draining.  Some plastics, due to material, may need to be towel dried.
Silica Film or Etching (Silica Film is a White Iridescent Deposit; Etching is a Cloudy Film)	A water chemical reaction with certain types of glassware. Usually caused by some combination of soft or softened water, alkaline washing solutions, insufficient rinsing, overloading the dishwasher, and heat of drying.	It may not be possible to prevent problem, except by hand washing. To retard this process, use a minimum amount of detergent but not less than one tablespoon per load. Use a liquid rinse agent and underload the dishwasher to allow thorough rinsing. Remove glasses from dishwasher before dry cycle. Silica Film and Etching are permanent and cannot be removed.
Black or Gray Marks on Dishes	Aluminum markings	Aluminum pieces should be loaded so that they will not rub against dinnerware during washing. Throw-away aluminum items should not be dishwasher washed because they may break down and cause marking. Aluminum markings can be removed by using a mild abrasive cleanser.
Brown Stains on Dinnerware and Dishwasher Interior	High iron content in water supply	Remove by washing dishes (after food soil has been removed) with 1 teaspoon to 1 tablespoon of citric acid crystals added to Main Wash compartment of detergent dispenser. Do not use detergent. Follow with a LIGHT/CHINA WASH CYCLE with detergent. If treatment is needed more often than every other month, the installation of an iron removal unit is recommended.
White Spots on Cookware with Non-Stick Finish	Seasoning removed by dishwasher detergents	Re-season cookware after dishwasher washing.
Odor in the Dishwasher	Dishes only washed every two to three days	Run a Rinse & Hold Cycle at least once or twice a day until a full load is accumulated.
Chipping of Dishware	Improper loading	Load dishes and glasses so that they are stable and do not strike together from washing action. (Note: Some types of china and glassware are too delicate for automatic dishwashing and should be hand washed; for example: antiques, featheredged and similar types.) Moving racks in and out smoothly will also minimize chipping.
Stainless Steel Filter Needs Frequent Cleaning	Filter is not placed in dishwasher correctly  Spray nozzle on wash arm is blocked  Dishes not scraped before loading	Make sure stainless steel filter is seated properly under wash arm. See page 21.  Remove lower wash arm — see page 20 — and turn upside down. On under side of each tube is an indentation. In one of these indentations is a nozzle (hole) which cleans filter. If this nozzle is blocked, clean out with toothpick.  Make sure leftover food, bones, toothpicks and other hard items are scraped from dinnerware before loading.

## CHANGING FRONT PANELS

Your new KitchenAid dishwasher comes with a stainless steel trim kit and two reversible front panels installed one behind the other. You can choose from almond or white (front and back of one panel) and onyx black or harvest wheat (front and back of the second panel).

If you want to change the color of the panels, follow one of the options below. Option A may be used if your dishwasher front protrudes several inches from the cabinets. Option B may be used if your dishwasher front is flush with the cabinets.

**WARNING:** TO PREVENT ELECTRIC SHOCK, disconnect electrical power supply to dishwasher before changing panels.



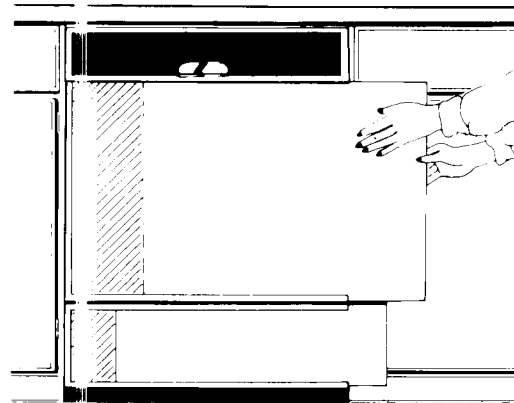
### OPTION A

#### UPPER PANEL:

1. Pull door open and on either side of the dishwasher door, remove the three screws (A) from the trim (B). Remove the loosened piece of trim.
2. Slide the panel out. Handle carefully so the panels will not be scratched or bent. Turn the panel to the desired color. Place the color panel in position then push the filler panel in behind it.
3. Replace the trim (B) and the three screws (A).

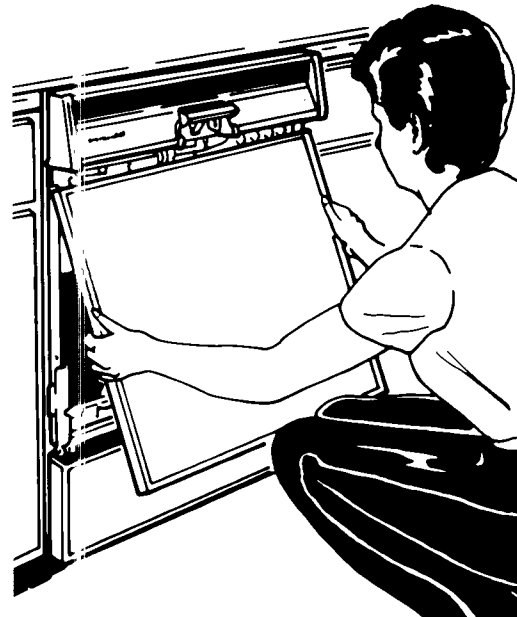
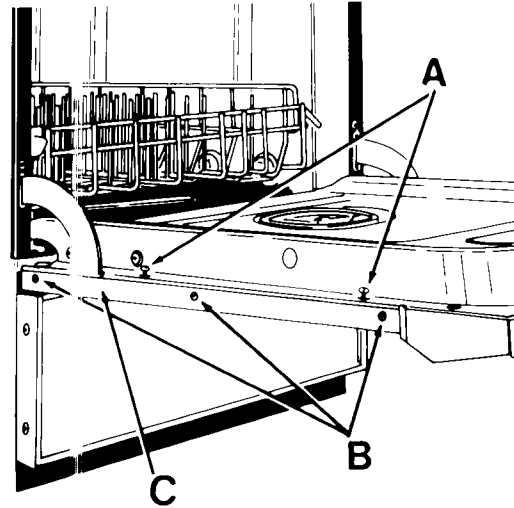
#### LOWER PANEL:

1. Remove the two screws (C) on either side of the lower panel. Remove the loosened piece of trim (D).
2. Slide the panel out. Handle carefully so the panels will not be scratched or bent. Turn the panel to the desired color. Place the color panels in position then push the filler panel in behind it.
3. Replace the trim (D) and the two screws (C).



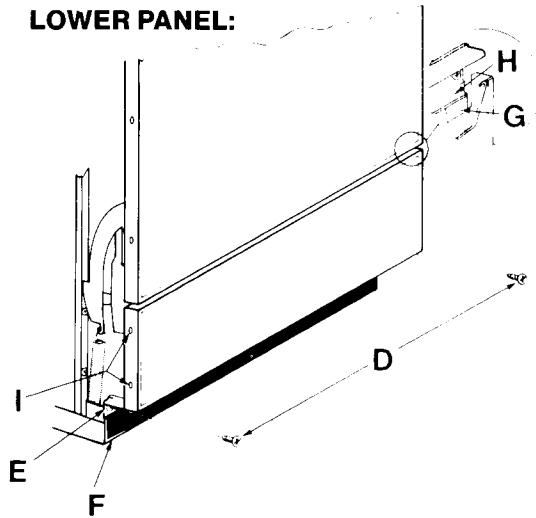
**UPPER PANEL:  
OPTION B**

1. Pull door open. Remove the two screws (A) on each side of the dishwasher door that secure the upper panel assembly.
2. Close door while holding upper panel in place. Pull out lower edge of panel until top edge of panel drops down.
3. Place panel on a smooth, flat surface and remove three screws (B) from either side of panel to remove the trim strip (C).
4. Slide the panel out. Handle carefully so the panel will not be scratched or bent. Turn the panel to the desired color. Place the color panel in position then push the filler panel in behind it.
5. Replace the trim strip and the three screws.
6. With hands placed at sides of panel, slide the top edge of the panel up into position under the control panel (see illustration to the right).
7. Hold the panel in place and open the door.
8. Hold panel in position with one hand. Replace the two screws (A) on each side of the dishwasher door that secure the panel assembly.





## LOWER PANEL:



1. Remove two screws (D) located under panel.
2. With hands placed under ends of panel, lift support tabs (E) and pull out until tabs clear kick plate (F).
3. Pull lower panel down until side flanges (G) clear the support strip (H). Lower panel is then removed from dishwasher.
4. Place panel on a smooth, flat surface and remove the two screws (I) from either side of the trim. Take off the loosened piece of trim.
5. Slide the panel out. Handle carefully so the panel will not be scratched or bent. Turn the panel to the desired color. Place the color panel in position then push the filler panel in behind it.
6. Replace the trim and screws (I).
7. Holding the assembled lower panel, slide the panel up onto the dishwasher front so that the side flanges (G), fit up behind the support strip (H). If this is done improperly, the lower panel will be loose and may fall off the dishwasher.
8. Lift support tabs (E) of panel up and push lower portion of panel back until support tabs (E) rest on kick plate (F).
9. Replace the screws (D).
10. Check that upper and lower panels are secure.
11. Reconnect electrical power supply.

## OPTIONAL FRONT PANELS

### More to Choose From

**1. Wood or Decorator Panel Inserts**  
The stainless door trim will accommodate a custom wood or decorator front up to 1/4 inch thick. Some panels are heavy and require special heavy dishwasher door springs. These may be ordered from your KitchenAid dealer as a service item, part #240418. For more information on installing a custom wood front, refer to the Dishwasher Installation Instructions. If you have misplaced these instructions, please write to:

Customer Relations Department  
KitchenAid, Inc.  
P.O. Box 558  
St. Joseph, MI 49085-0558

### 2. Solid Colors

If the four colors provided with your dishwasher do not match your kitchen decor, optional panels are available from your KitchenAid dealer in a variety of decorator colors.



## WHEN YOU NEED SERVICE

### Follow These Steps

1. If your dishwasher should fail to operate, review the following list before calling your dealer. You could save the cost of a service call.  

Has a fuse blown, or is the circuit breaker open?

Is the door closed and latched, and a cycle selected?

Is the overflow protection float in place?  
See page 21.

Is the water supply to the dishwasher turned on?
2. If your dishwasher is not washing properly, refer to the Problem, Cause, Solution chart on pages 26 and 27 before you make a service call.
3. If the problem is not due to one of the above items, see "How To Arrange for Service" listed in the Warranty Statement.
4. If you are not satisfied with the action taken, contact the Major Appliance Consumer Action Panel (MACAP). MACAP is a group of independent consumer experts that voices consumer views at the highest levels of the major appliance industry. Contact them only when the dealer, authorized servicing outlet, and KitchenAid, Inc., have failed to resolve your problem.

Major Appliance Consumer  
Action Panel  
20 North Wacker Drive  
Chicago, IL 60606

MACAP will in turn inform us of your action.

In all correspondence about your dishwasher, please include:

- Date
- Your Name, Address and Telephone Number
- Type of Appliance
- Brand
- Model Number
- Serial Number
- Date Purchased
- Dealer from Which Purchased (include address)
- Servicing Agent (include name and address if different from dealer's)
- Location of Appliance
- A Clear Description of the Problem and the Service Required

## KITCHENAID® WARRANTY

### KD-21 Series Solid State Dishwasher

LENGTH OF WARRANTY:	KITCHENAID WILL PAY FOR:	KITCHENAID WILL NOT PAY FOR:
<b>ONE YEAR FULL WARRANTY</b> FROM DATE OF INSTALLATION.	Replacement parts and repair labor to correct defects in materials or workmanship. Service must be provided by an authorized KitchenAid servicing outlet.	A. Service calls to: <ul style="list-style-type: none"> <li>• Correct the installation of the dishwasher.</li> <li>• Instruct you how to use the dishwasher.</li> <li>• Replace house fuses or correct house wiring.</li> <li>• Correct house plumbing.</li> </ul>
<b>FIVE YEAR LIMITED WARRANTY</b> ONE YEAR FULL PLUS SECOND THROUGH FIFTH YEAR LIMITED FROM DATE OF INSTALLATION.	Replacement parts (repair labor costs not included) for the one-half horsepower motor if defective in materials or workmanship.  Replacement parts (labor costs not included) for the solid state controls (rotary power switch, solid state controller or display panel) if defective in material or workmanship.	B. Repairs when dishwasher is used in other than normal home use.  C. Damage resulting from accident, alteration, misuse, abuse, improper installation or installation not in accordance with local electrical and plumbing codes.
<b>TEN YEAR LIMITED WARRANTY</b> ONE YEAR FULL PLUS SECOND THROUGH TENTH YEAR LIMITED FROM DATE OF INSTALLATION	Replacement parts (repair labor costs not included) for the TriDura™ Porcelain-on-steel tank or inner door if the tank or inner door develops a water leak as the result of defective materials or workmanship.	D. Any labor costs during limited warranty.  E. Replacement parts or labor costs for units operated outside the United States.  F. Pick up and delivery. This product is designed to be paired in the home.

### KITCHENAID DOES NOT ASSUME ANY RESPONSIBILITY FOR INCIDENTAL OR CONSEQUENTIAL DAMAGES.

Some states do not allow the exclusion or limitation of incidental or consequential damages, so this exclusion or limitation may not apply to you.

This warranty gives you specific legal rights and you may also have other rights which vary from state to state.

### HOW TO ARRANGE FOR SERVICE

- First call your dealer or authorized KitchenAid repair service he recommends.
- All service should be handled locally by the dealer from whom you purchased the unit or an authorized KitchenAid servicing

outlet. If your local service is not satisfactory, contact the Customer Relations Department, KitchenAid, Inc., P.O. Box 558, St. Joseph, Michigan 49085-0558. Telephone: 800-422-1230.