



Gas Large Capacity Thin Twin Washer/Dryer

PRODUCT MODEL NUMBER

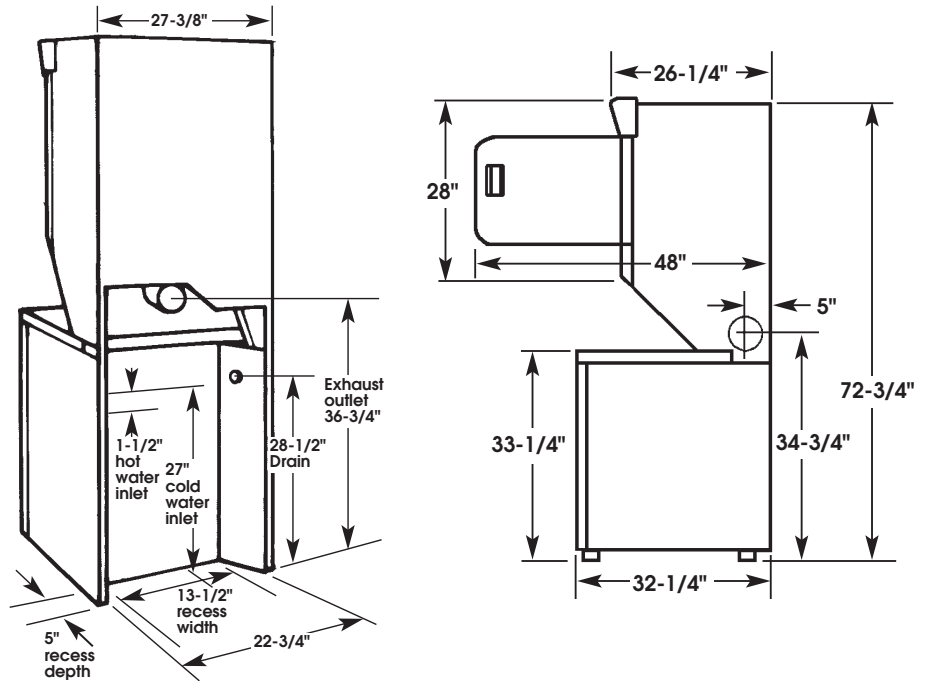
LTG6234D

Gas supply: Dryer is equipped for use with NATURAL gas. Dryer can be converted to L.P. gas. When rigid pipe is used it should be 1/2 inch IPS. Pipe-joint compounds resistant to the action of L.P. gas must be used. This washer/dryer is equipped with its own permanent, flexible gas connector, design-certified by CSA International, for connecting the appliance to the gas supply line. An individual manual shutoff valve must be installed within 6 feet of the dryer in accordance with the National Fuel Gas Code ANSI Z223.1.

Electrical: A 120-volt, 60-Hz, AC-only, electrical supply is required on a separate 15- or 20-ampere circuit, fused on both sides of the line. A separate circuit and a time-delay fuse or circuit breaker is recommended.

Exhaust venting: Exhaust your dryer to the outside. Four-inch diameter vent is required. Rigid or flexible metal exhaust vent must be used. Do Not use plastic or metal foil vent. Exhaust outlet hood must be at least 12 inches from the ground or any object that may be in the path of the exhaust.

OVERALL DIMENSIONS



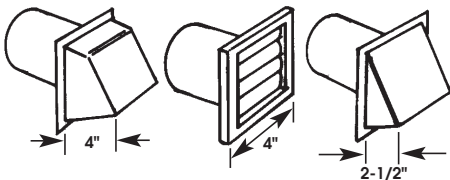
RECESSED AREA AND CLOSET INSTALLATION

Most installations will require at least 5 inch clearance behind the dryer for the dryer vent. Location must be large enough to fully open dryer door.

EXHAUST VENTING

Plan installation to use the fewest number of elbows and turns.

Maximum length of the exhaust system depends upon the type of vent used, number of elbows and the type of exhaust hood. The maximum length for both rigid and flexible vent is shown in the chart.

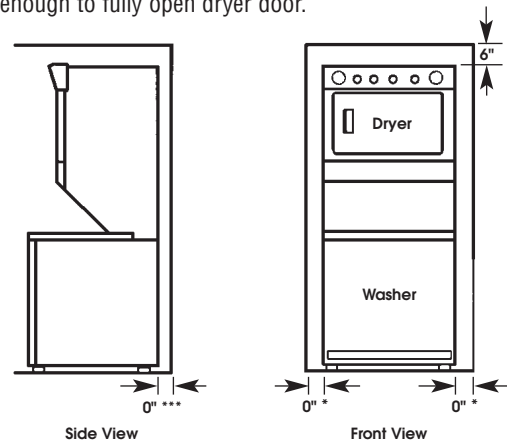


Rear, Side or Bottom Exhaust		
Number of 90° Turns	Maximum length of vent	Four-inch diameter vent
0	42 FT.	MAXIMUM LENGTH OF 4" DIA. RIGID METAL VENT
1	34 FT.	
2	26 FT.	
0	26 FT.	MAXIMUM LENGTH OF 4" DIA. FLEXIBLE METAL VENT
1	21 FT.	
2	16 FT.	

The maximum length using a 2" x 6" rectangular vent with 2 elbows and a 2-1/2" exhaust hood is 8 ft.

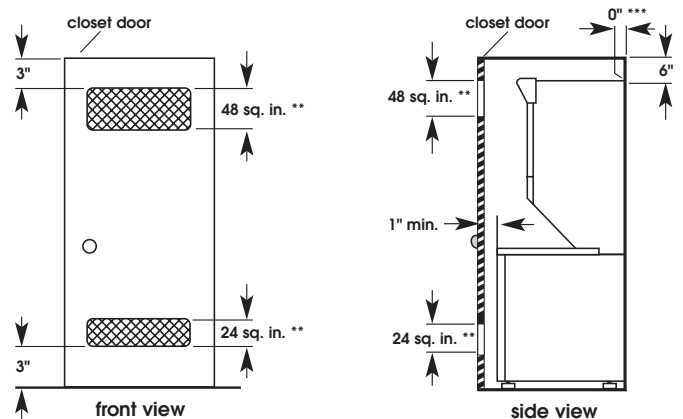
Recessed area

Minimum installation spacing



Closet confined area

Minimum installation spacing



* Additional clearances for wall, door and floor moldings may be required or if external exhaust elbow is used.
 ** Opening is minimum for closet door. Louvered door with equivalent air openings is acceptable.
 *** Additional space may be needed for exhaust elbow.