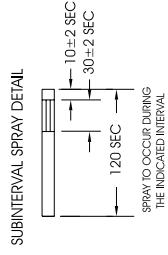


CAUTION: DISCONNECT ELECTRIC CURRENT BEFORE SERVICING

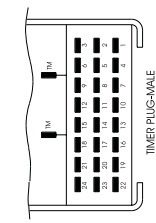
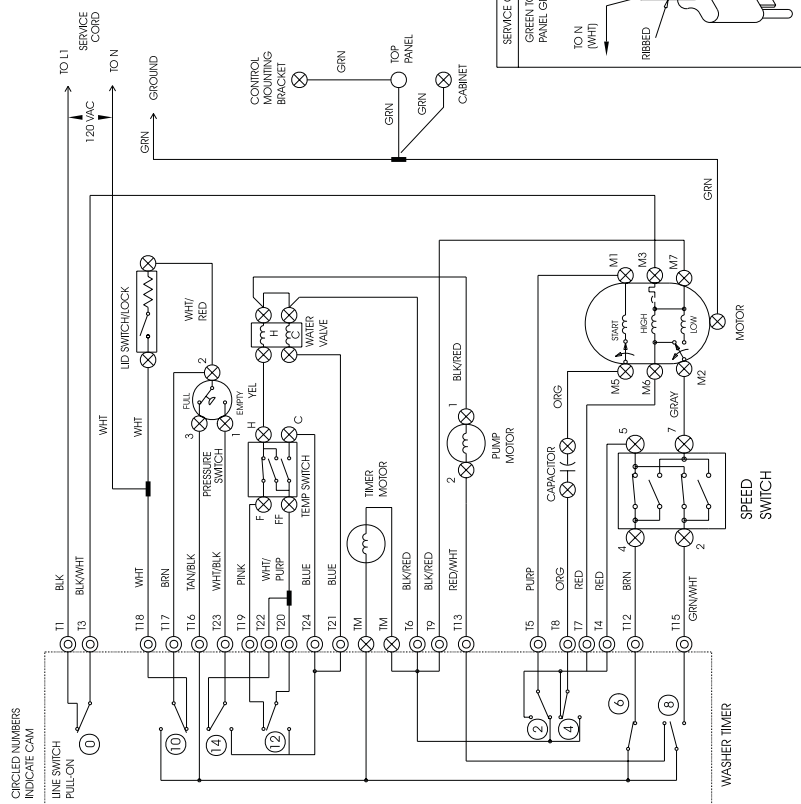
| TERM. | CIRCUIT | | REGULAR | | PERM. PRESS. | | DELICATE | | SOAK | | OFF |
|-------|---------|----|-------------|---------------|---------------|---------------|--------------|---------------|--------------|---------------|--------------|
| | F | N | PUMP | WASH | PUMP | WASH | PUMP | RINSE | PUMP | RINSE | |
| 0 | 1 | 3 | MASTER | WASH (10 MIN) | PUMP (10 MIN) | WASH (12 MIN) | PUMP (6 MIN) | RINSE (4 MIN) | PUMP (6 MIN) | RINSE (4 MIN) | PUMP (6 MIN) |
| 2 | 4 | 1 | SPIN DR | AGIATE DIR | AGIATE DIR | AGIATE DIR | SPIN | SPIN | SPIN | SPIN | SPIN |
| 4 | 4 | 1 | AGIATE DIR | SPIN DR | SPIN DR | SPIN DR | SPIN | SPIN | SPIN | SPIN | SPIN |
| 6 | 16 | 12 | SPIN MOTOR | SPIN MOTOR | SPIN MOTOR | SPIN MOTOR | SPIN | SPIN | SPIN | SPIN | SPIN |
| 8 | 16 | 13 | PUMP | PUMP | PUMP | PUMP | SPIN | SPIN | SPIN | SPIN | SPIN |
| 10 | 17 | 16 | RS BYPASS | LID SW BYPASS | LID SW BYPASS | LID SW BYPASS | SPIN | SPIN | SPIN | SPIN | SPIN |
| 12 | 20 | 19 | WASH FILL | WASH FILL | WASH FILL | WASH FILL | SPIN | SPIN | SPIN | SPIN | SPIN |
| 14 | 23 | 24 | WATER TEMP. | WATER TEMP. | WATER TEMP. | WATER TEMP. | SPIN | SPIN | SPIN | SPIN | SPIN |
| | | | SS SPRAY | SS SPRAY | SS SPRAY | SS SPRAY | SPIN | SPIN | SPIN | SPIN | SPIN |



△ INDICATE SWITCH OPEN FOR 9±4 SEC.

RACQUET ANGLE LEGEND

| |
|----------|
| A = 4.5° |
| B = 6.0° |
| C = 6.5° |
| D = 6.0° |
| E = 7.0° |
| F = 7.0° |
| G = 7.5° |



WIRING CODES

- ⊙ PLUG-IN TIMER TERMINAL
- ⊗ QUICK DISCONNECT TERMINAL
- ⊕ SCREW TERMINAL
- ⊖ CONNECTION
- ⊕ NO CONNECTION
- ⊖ MOTOR SWITCH
- ⊖ SPICE
- ⊖ MOTOR PROTECTOR

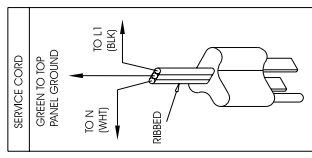
SPEED SWITCH CIRCUIT

| AGI/SPIN | 2-5 | 2-7 | 4-7 | 4-5 |
|----------|-----|-----|-----|-----|
| W/N | X | 0 | 0 | X |
| NS | X | 0 | 0 | 0 |
| SN (OPT) | 0 | X | 0 | X |
| SS | 0 | 0 | X | 0 |

TEMPERATURE SWITCH CIRCUIT

| | F-H | F-F | F-C |
|-----------------|-----|-----|-----|
| WASH/RINSE | X | 0 | 0 |
| HOT/COLD | X | 0 | X |
| WARM/COLD | 0 | 0 | X |
| COLD/COLD | 0 | 0 | X |
| WARM/WARM (OPT) | 0 | X | X |

0 = OPEN
 X = CLOSED
 (OPT) = OPTIONAL ON SOME MODELS



WIRING DIAGRAM
 P/N 131822700

NOTE: SUFFIX INDICATES TIMER SWITCH CONTACTS
 T=TOP
 B=BOTTOM