



# 240-Volt Electric Compact Dryer

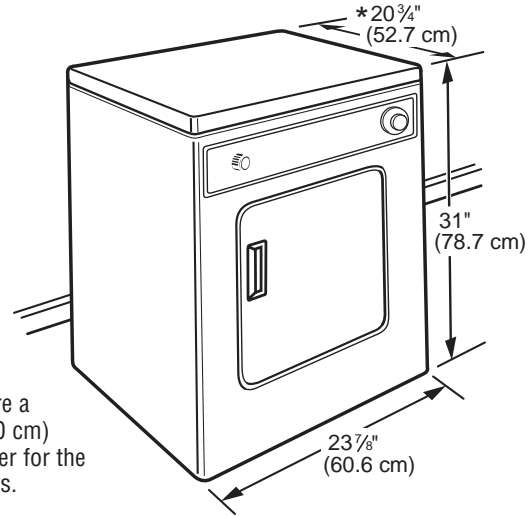
## PRODUCT MODEL NUMBERS

LER3622P

**Electrical:** A four-wire or three-wire, single phase, 120/240-volt, 60-Hz, AC-only, electrical supply (or 120/208-volt electrical supply, if specified on the serial/rating plate) is required on a separate 30-ampere circuit, fused on both sides of the line. Use 10 gauge solid copper wire. A time-delay fuse or circuit breaker is recommended.

**Exhaust venting:** Exhaust your dryer to the outside. Four-inch diameter vent is required. Rigid or flexible metal exhaust vent must be used. Do Not use plastic or metal foil vent. Exhaust outlet hood must be at least 12 inches from the ground or any object that may be in the path of the exhaust.

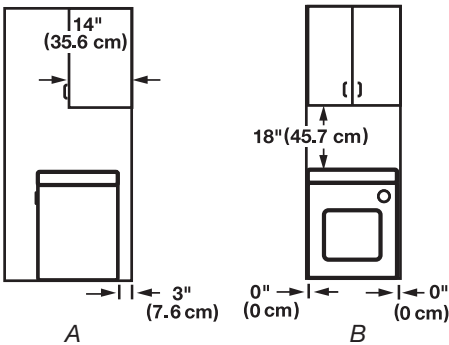
## OVERALL DIMENSIONS



\*Most installations require a minimum 5-1/2 in. (14.0 cm) clearance behind the dryer for the exhaust vent with elbows.

## RECESSED AREA AND CLOSET INSTALLATION

### Recessed or closet installation - Dryer only

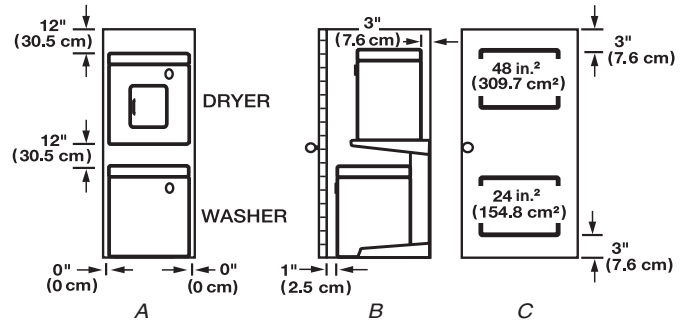


A. Side view - closet or confined area  
B. Recessed area

### Closet confined area

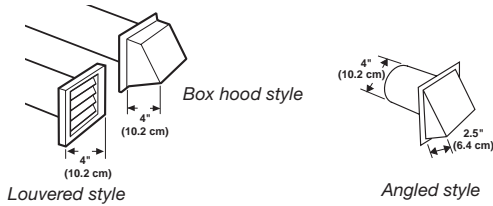
For closet installation with a door, minimum ventilation openings in the top and bottom of the door are required. Louvered doors with equivalent air openings are acceptable.

### Recessed or closet installation - Stacked



A. Recessed area  
B. Side view - closet or confined area  
C. Closet door with vents

## EXHAUST VENTING



1. Select the route that will provide the straightest and most direct path outdoors. Plan the installation to use the fewest number of elbows and turns. When using elbows or making turns, allow as much room as possible. Bend vent gradually to avoid kinking. Avoid 90° turns when possible.

2. Determine vent length.

The maximum length of the exhaust system depends upon:

- The type of vent (rigid metal or flexible metal).
- The number of elbows used.
- Type of hood.

See the exhaust vent length chart that matches your hood type for the maximum vent lengths you can use.

3. Determine the number of elbows you will need.

**IMPORTANT:** Do not use vent runs longer than specified in the Vent Length Chart. In the column listing the type of metal vent you are using (rigid metal or flexible metal), find the maximum length of metal vent on the same line as the number of elbows.

Number of 90° turns or elbows	Type of vent	Box or louvered hoods	Angled hoods
0	Rigid metal	36 ft (11 m)	26 ft (7.9 m)
	Flexible metal	28 ft (8.5 m)	22 ft (6.7 m)
1	Rigid metal	26 ft (7.9 m)	16 ft (4.9 m)
	Flexible metal	18 ft (5.5 m)	12 ft (3.7 m)
2	Rigid metal	16 ft (4.9 m)	6 ft (1.8 m)
	Flexible metal	8 ft (2.8 m)	2 ft (0.6 m)