

Microwave Oven

Use & Care Guide

Model AMC2206BA

IMPORTANT SAFETY INSTRUCTIONS	2
Precautions to Avoid Possible Exposure to Excessive Microwave Energy	4
Installation and Operation	6
Features	7
Operating Instructions	9
Care and Cleaning	21
Cooking Utensils	22
Troubleshooting	23
Warranty and Service	24
Manuel d'entretien et d'utilisation	25
Guía de uso y cuidado	49

Keep instructions for future reference.
Be sure Use & Care Guide stays with oven.

IMPORTANT SAFETY INSTRUCTIONS

Installer: Please leave this guide with this appliance.
Consumer: Please read and keep this Use & Care Guide for future reference.

Keep sales receipt and/or cancelled check as proof of purchase.

Model Number _____

Serial Number _____

Date of Purchase _____

In our continuing effort to improve the quality and performance of our appliances, it may be necessary to make changes to the appliance without revising this guide.

If you have questions, write us (include your model number and phone number) or call:

Maytag Services^{LLC}

Attn: CAIR[®] Center

P.O. Box 2370

Cleveland, TN 37320-2370

1-800-688-9900 U.S.A.

1-800-688-2002 Canada

1-800-688-2080 (US TTY for hearing or speech impaired)

(Mon.-Fri., 8 a.m.-8 p.m. Eastern Time)

Internet: <http://www.amana.com>

What You Need to Know About Safety Instructions

Warning and Important Safety Instructions appearing in this Use & Care Guide are not meant to cover all possible conditions and situations that may occur. Common sense, caution, and care must be exercised when installing, maintaining, or operating microwave.

Always contact your dealer, distributor, service agent, or manufacturer about problems or conditions you do not understand.

Recognize Safety Symbols, Words, Labels

DANGER

DANGER – Immediate hazards which **WILL** result in severe personal injury or death.

WARNING

WARNING – Hazards or unsafe practices which **COULD** result in severe personal injury or death.

CAUTION

CAUTION – Hazards or unsafe practices which **COULD** result in minor personal injury.

WARNING

Liquids such as water, coffee, or tea are able to be overheated beyond the boiling point without appearing to be boiling due to surface tension of the liquid. Visible bubbling or boiling when the container is removed from the microwave oven is not always present. **THIS COULD RESULT IN VERY HOT LIQUIDS SUDDENLY BOILING OVER WHEN A SPOON OR OTHER UTENSIL IS INSERTED INTO THE LIQUID.** To reduce the risk of injury to persons:

1. **Do not** overheat the liquid.
2. Stir the liquid both before and halfway through heating it.
3. **Do not** use straight-sided containers with narrow necks.
4. After heating, allow the container to stand in the microwave oven for a short time before removing the container.
5. Use extreme care when inserting a spoon or other utensil into the container.

SAVE THESE INSTRUCTIONS

IMPORTANT SAFETY INSTRUCTIONS

⚠ WARNING

When using electrical appliances, basic safety precautions should be followed to reduce the risk of burns, electric shock, fire, or injury to persons or exposure to excessive microwave energy.

1. **READ** all instructions before using oven.
2. **READ AND FOLLOW** the specific "PRECAUTIONS TO AVOID POSSIBLE EXPOSURE TO EXCESSIVE MICROWAVE ENERGY" on page 4.
3. Install or locate this oven **ONLY** in accordance with the installation instructions in this manual.
4. Some products such as whole eggs and sealed containers—for example, closed glass jars—are able to explode and **SHOULD NOT** be **HEATED** in this oven.
5. Use this oven **ONLY** for its intended use as described in this manual. Do not use corrosive chemicals or vapors in this oven. This type of oven is specifically designed to heat, cook, or dry food. It is not designed for industrial or laboratory use.
6. As with any appliance, **CLOSE SUPERVISION** is necessary when used by **CHILDREN** or **INFIRM PERSONS**.
7. See door cleaning instructions in the Care and Cleaning section.
8. Baby food jars shall be open when heated and contents stirred or shaken before consumption, in order to avoid burns.
9. **DO NOT** use this oven for commercial purposes. It is made for household use only.
10. **DO NOT** heat baby bottles in oven.
11. **DO NOT** operate this oven if it has a damaged cord or plug, if it is not working properly, or if it has been damaged or dropped.
12. This oven, including power cord, must be serviced **ONLY** by qualified service personnel. Special tools are required to service oven. Contact nearest authorized service facility for examination, repair, or adjustment.
13. **DO NOT** cover or block filter or other openings on oven.
14. **DO NOT** store this oven outdoors. **DO NOT** use this product near water – for example, near a kitchen sink, in a wet basement, near a swimming pool or similar locations.
15. **DO NOT** immerse cord or plug in water.
16. Keep cord **AWAY** from **HEATED** surfaces.
17. **DO NOT** let cord hang over edge of table or counter.

⚠ CAUTION

To avoid risk of fire in the oven cavity:

- a. **DO NOT** overcook food. Carefully attend oven when paper, plastic, or other combustible materials are placed inside the oven to facilitate cooking.
- b. Remove wire twist-ties from paper or plastic bags before placing bag in oven.
- c. If materials inside the oven ignite, keep oven door **CLOSED**, turn oven off and disconnect the power cord, or shut off power at the fuse or circuit breaker panel.
- d. **DO NOT** use the cavity for storage. **DO NOT** leave paper products, cooking utensils, or food in the cavity when not in use.

SAVE THESE INSTRUCTIONS

IMPORTANT SAFETY INSTRUCTIONS

Precautions to Avoid Possible Exposure to Excessive Microwave Energy

- A. **DO NOT** attempt to operate this oven with the door open since open-door operation can result in harmful exposure to microwave energy. It is important not to defeat or tamper with the safety interlocks.
- B. **DO NOT** place any object between the oven front face and the door or allow soil or cleaner residue to accumulate on sealing surfaces.
- C. **DO NOT** operate the oven if it is damaged. It is particularly important that oven door close properly and that there is no damage to:
 - 1. door (bent),
 - 2. hinges and latches (broken or loosened),
 - 3. door seals and sealing surfaces.
- D. Oven should not be adjusted or repaired by anyone except properly qualified service personnel.

⚠ CAUTION

To avoid personal injury or property damage, observe the following:

1. **Do not** deep fat fry in oven. Fat could overheat and be hazardous to handle.
2. **Do not** cook or reheat eggs in shell or with an unbroken yolk using microwave energy. Pressure may build up and erupt. Pierce yolk with fork or knife before cooking.
3. Pierce skin of potatoes, tomatoes, and similar foods before cooking with microwave energy. When skin is pierced, steam escapes evenly.
4. **Do not** operate oven without load or food in oven cavity.
5. Use only popcorn in packages designed and labeled for microwave use. Popping time varies depending on oven wattage. **Do not** continue to heat after popping has stopped. Popcorn will scorch or burn. **Do not** leave oven unattended.
6. **Do not** use regular cooking thermometers in oven. Most cooking thermometers contain mercury and may cause an electrical arc, malfunction, or damage to oven.
7. **Do not** use metal utensils in oven.
8. **Never** use paper, plastic, or other combustible materials that are not intended for cooking.
9. When cooking with paper, plastic, or other combustible materials, follow manufacturer's recommendations on product use.
10. **Do not** use paper towels which contain nylon or other synthetic fibers. Heated synthetics could melt and cause paper to ignite.
11. **Do not** heat sealed containers or plastic bags in oven. Food or liquid could expand quickly and cause container or bag to break. Pierce or open container or bag before cooking.
12. To avoid pacemaker malfunction, consult physician or pacemaker manufacturer about effects of microwave energy on pacemaker.

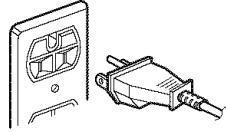
SAVE THESE INSTRUCTIONS

IMPORTANT SAFETY INSTRUCTIONS

⚠ WARNING

To avoid risk of electrical shock or death, this oven must be grounded and plug must not be altered.

Grounding Instructions



Oven MUST be grounded. Grounding reduces risk of electric shock by providing an escape wire for the electric current if an electrical short occurs. This oven is equipped with a cord having a grounding wire with a grounding plug. The plug must be plugged into an outlet that is properly installed and grounded. See Installation Instructions.

Consult a qualified electrician or servicer if grounding instructions are not completely understood, or if doubt exists as to whether the oven is properly grounded.

Do not use an extension cord. If the product power cord is too short, have a qualified electrician install a three-slot receptacle. This oven should be plugged into a separate 60 hertz circuit with the electrical rating as shown in specifications table. When the oven is on a circuit with other equipment, an increase in cooking times may be required and fuses can be blown.

Microwave operates on standard household current, 110-120V.

⚠ WARNING

Do not cut or remove the third(ground) prong.

Federal Communications Commission Radio Frequency Interference Statement (U.S.A. Only)

This equipment generates and uses ISM frequency energy and if not installed and used properly, that is in strict accordance with the manufacturer's instructions, may cause interference to radio and television reception. It has been type tested and found to comply with limits for ISM Equipment pursuant to part 18 of FCC Rules, which are designed to provide reasonable protection against such interference in a residential installation.

However, there is no guarantee that interference will not occur in a particular installation. If this equipment does cause interference to radio or television reception, which can be determined by turning the equipment off and on, the user is encouraged to try to correct the interference by one or more of the following:

- Reorient the receiving antenna of the radio or television.
- Relocate the microwave oven with respect to the receiver.
- Move the microwave oven away from the receiver.
- Plug the microwave oven into a different outlet so that the microwave oven and the receiver are on different branch circuits.

The manufacturer is not responsible for any radio or television interference caused by **unauthorized modification** to this microwave oven. It is the responsibility of the user to correct such interference.

SAVE THESE INSTRUCTIONS

Installation and Operation

CIRCUITS

For safety purposes this oven must be plugged into a 15 or 20 Amp circuit. No other electrical appliances or lighting circuits should be on this line. If in doubt, consult a licensed electrician.

VOLTAGE

The voltage used at the wall receptacle must be the same as specified on the oven name plate located inside oven door. Use of a higher voltage is dangerous and may result in a fire or other type of accident causing oven damage. Low voltage will cause slow cooking. In case your microwave oven does not perform normally in spite of proper voltage, remove and reinsert the plug.

PLACEMENT OF THE OVEN

Your microwave oven can be placed easily in your kitchen, family room, or anywhere else in your home. Place the oven on a flat surface such as a kitchen countertop or a specially designed microwave oven cart. Do not place oven above a gas or electric range. Free air flow around the oven is important.

UNPACKING OVEN

- Inspect oven for damage such as dents in door or inside oven cavity.
- Report any dents or breakage to source of purchase immediately. Do not attempt to use oven if damaged.
- Remove all materials from oven interior.
- If oven has been stored in extremely cold area, wait a few hours before connecting power.

BUILT-IN CAPACITY

For information call:

1-800-688-9900 U.S.A.

1-800-688-2002 Canada

DO NOT BLOCK

AIR VENTS

All air vents should be kept clear during cooking. If air vents are covered during oven operation the oven may overheat. In this case, a sensitive thermal safety device automatically turns the oven off. The oven will be inoperable until it has cooled sufficiently.

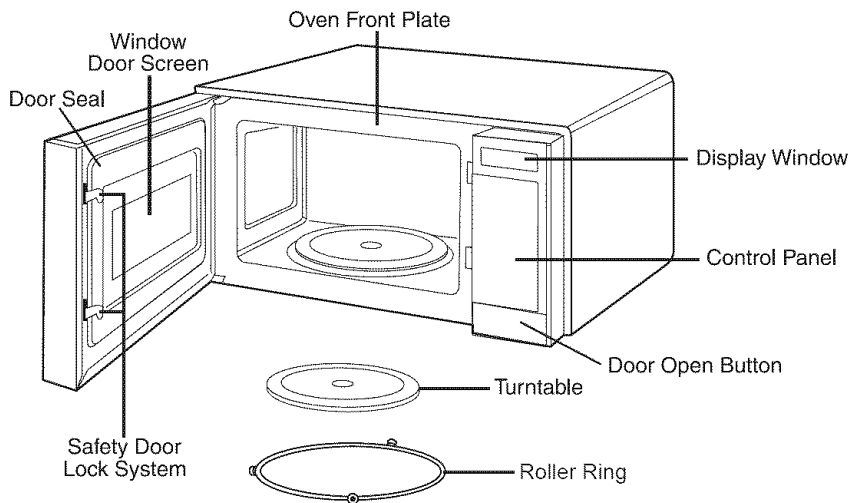
GETTING THE BEST COOKING RESULTS

To get the best results from your microwave oven, read and follow the guidelines below.

- **Storage Temperature:** Foods taken from the freezer or refrigerator take longer to cook than the same foods at room temperature.
- **Size:** Small pieces of food cook faster than large ones, pieces similar in size and shape cook more evenly. For even cooking, reduce the power when cooking large pieces of food.
- **Natural Moisture:** Very moist foods cook more evenly because microwave energy is attracted to water molecules.
- **Stir** foods such as casseroles and vegetables from the outside to the center to distribute the heat evenly and speed cooking. Constant stirring is not necessary.
- **Turn over** foods like pork chops, baking potatoes, roasts, or whole cauliflower halfway through the cooking time to expose all sides equally to microwave energy.
- **Place** delicate areas of foods, such as asparagus tips, toward the center of the dish.
- **Arrange** unevenly shaped foods, such as chicken pieces or salmon steaks, with the thicker, meatier parts toward the outside of the dish.
- **Shield**, with **small** pieces of aluminum foil, parts of food that may cook quickly, such as wing tips and leg ends of poultry.

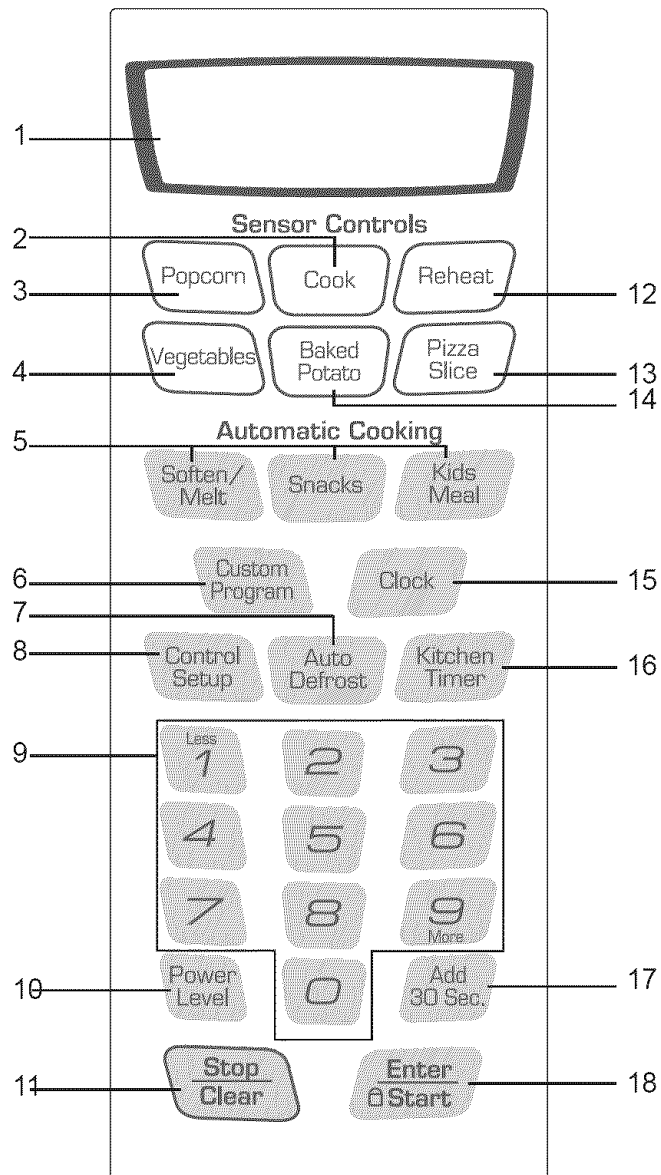
- **Let It Stand:** After you remove the food from the microwave, cover food with foil or casserole lid and let it stand to finish cooking in the center and avoid overcooking the outer edges. The length of standing time depends on the density and surface area of the food.
- **Wrapping in waxed paper or paper towel:** Sandwiches and many other foods containing prebaked bread should be wrapped prior to microwaving to prevent drying out.

Features



OVEN SPECIFICATIONS

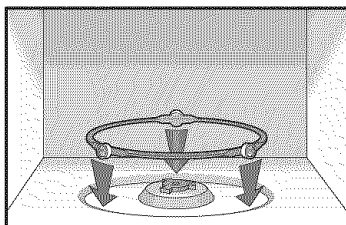
Power Supply	120 VAC, 60 Hz
Input Power	1,550 W
Cooking Power	1,100 W (IEC 60705 Standard)
Frequency	2,450 MHz
Rated Current	13.5 A
Outer Dimensions (WxHxD)	23 ²¹ / ₃₂ " x 13 ¹⁷ / ₆₄ " x 18 ³ / ₁₆ "
Cavity Volume	2.0 Cu. Ft.
Net Weight	41.4 lbs.



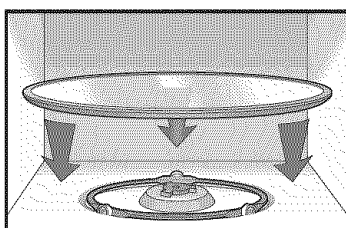
Features

Setting Up Your Microwave Oven

1. Plug the cord into a grounded outlet. Once plugged in, the display on your oven will show:
PLEASE TOUCH CLOCK AND SET TIME OF DAY.
2. Open the oven door by pulling the handle on the right side of the door.
3. Wipe the inside of the oven with a damp cloth.
4. Place the pre-assembled ring in the indentation in the center of the oven.



5. Place the glass tray on top of the ring so that the three glass tabs in the center of the tray fit securely into the tabs on the floor of the oven.



FEATURES

1. **DISPLAY:** The Display includes a clock and indicators to tell you time of day, cooking time settings and cooking functions selected.
2. **COOK:** Touch this pad to cook beverage, frozen dinner, frozen breakfast, chicken breast. The oven's sensor will tell the oven how long to cook depending on the amount of humidity coming from the food. See page 13 for more information.
3. **POPCORN:** Touch this pad when popping popcorn in your microwave oven. The oven's sensor will tell the oven how long to cook depending on the amount of humidity it detects from the popcorn. See page 12 for more information.
4. **VEGETABLES:** Touch this pad to cook fresh or frozen vegetables. The oven's sensor will tell the oven how long to cook depending on the amount of humidity it detects from the vegetables. See page 13 for more information.
5. **SOFTEN/MELT, SNACKS, KIDS MEALS:** Touch this pad to cook specific food. See pages 15,16 and 17 for more information.
6. **CUSTOM PROGRAM:** Touch this pad to recall one cooking instruction previously programmed into memory. See page 10 for more information.
7. **AUTO DEFROST:** Touch this pad to defrost food by weight. See page 18 for more information.
8. **KITCHEN TIMER:** Touch this pad to set the kitchen timer. See page 9 for more information.
9. **NUMBER:** Touch number pads to enter cooking time, power level, quantities, or weights.
10. **POWER LEVEL:** Touch this pad to select a cooking power level.
11. **STOP/CLEAR:** Touch this pad to stop the oven or to clear all entries.
12. **REHEAT:** Touch this pad to reheat dinner plate, casserole, and pasta.

The oven's sensor will tell the oven how long to reheat depending on the amount of humidity coming from the food. See page 13 for more information.

13. **PIZZA SLICE:** Touch this pad to reheat pizza. The oven's sensor will tell the oven how long to cook depending on the amount of humidity it detects. See page 12 for more information.
14. **BAKED POTATO:** Touch this pad to cook potatoes. The oven's sensor will tell the oven how long to cook depending on the amount of humidity it detects from the potato. See page 13 for more information.
15. **CLOCK:** Touch this pad to enter the time of day. See page 9 for more information.
16. **CONTROL SETUP:** Touch this pad to change the oven's default settings. See page 9 for more information.
17. **ADD 30 SEC:** Touch this pad to set and start quickly at 100% power level. See page 9 for more information.

NOTE:

- Add 30 sec pad can not be used with any sensor control pad or AUTO DEFROST.

18. **ENTER/START:** Touch this pad to start a function. If you open the door after oven begins to cook, close the door and touch **ENTER/START** pad again.

Operating Instructions

LEARN ABOUT YOUR MICROWAVE OVEN

This section introduces you to the basics you need to know to operate your microwave oven. Please read this information before use.

CAUTION

- To avoid risk of personal injury or property damage, do not run oven empty.
- To avoid risk of personal injury or property damage, do not use stoneware, aluminum foil, metal utensils, or metal trimmed utensils in the oven.

CLOCK

Example: To set 8:00 AM.

- Clock
1. Touch **CLOCK** pad.
 2. Enter the time by using the number pads.
 3. Touch **ENTER/START** pad.
 4. Touch **1** for AM.
 5. Touch **ENTER/START** pad.
- 8 0 0
- Enter
Start
- 1
Less
- Enter
Start

NOTE:

- Follow steps 1-3 above, when clock is set in the 24 hour clock mode.

KITCHEN TIMER

You can use your microwave oven as a timer. Use the Kitchen Timer for timing up to 99 minutes, 99 seconds.

Example: To set for 3 minutes.

- Kitchen Timer
- 3 0 0
1. Touch **KITCHEN TIMER** pad.
 2. Enter the time by using the number pads.
 3. Touch **ENTER/START** pad.
- Enter
Start

When the time is over, you will hear beeps and **END** will display.

CONTROL SETUP

You can change the default values.

See following chart for more information.

No.	Function	No.	Result
1	Weight mode selected	1 2	Lbs. Kg.
2	Sound ON/OFF control	1 2	Sound ON Sound OFF
3	Clock display control	1 2	12HR 24HR
4	Scroll speed	1 2 3	Slow speed Normal speed Fast speed
5	Remind end Signal	1 2	ON OFF
6	Demo Mode	1 2	ON OFF
7	Daylight Saving Time	1 2	ON OFF
8	Language	1 2	English Spanish

Example: To change weight mode (from Lbs. to Kg).

- Control Setup
1. Touch **CONTROL SETUP** pad.
 2. Touch number **1** pad.
 3. Touch number **2** pad.
- 1
Less
- 2

CHILD LOCK

You may lock the control panel to prevent the microwave from being accidentally started or used by children.

The Child Lock feature is also useful when cleaning the control panel. Child Lock prevents accidental programming when wiping the control panel.

Example: To set the child lock.

- Stop
Clear
Enter
Start
1. Touch **STOP/CLEAR** pad.
 2. Touch and hold **ENTER/START** pad more than 3 seconds. **CHILD LOCK ON** will appear in the display window with two beeps.

Example: To cancel the child lock.

- Enter
Start
1. Touch and hold **ENTER/START** pad more than 3 seconds. **LOCKED** will disappear and you hear two beeps.

ADD 30 SEC.

A time-saving pad, this simplified control lets you quickly set and start microwave cooking without the need to touch the **ENTER/START** pad.

Example: To set **ADD 30 SEC.** for 2 minutes.

- Add 30 Sec.
1. Touch **ADD 30 SEC.** pad 4 times. The oven begins cooking and display shows time counting down.

Operating Instructions

CUSTOM PROGRAM

CUSTOM PROGRAM lets you recall one cooking instruction previously placed in memory and begin cooking automatically.

Example: Memory to cook for 2 minutes at 70% power.

- | | |
|-----------------------|-------------------------------------|
| Custom Program | 1. Touch CUSTOM PROGRAM pad. |
| 2 0 0 | 2. Enter the cook time. |
| Power Level | 3. Touch POWER LEVEL pad. |
| 7 | 4. Enter the power level. |
| <u>Enter</u>
Start | 5. Touch ENTER/START pad. |

Example: To recall the custom program.

- | | |
|-----------------------|-------------------------------------|
| Custom Program | 1. Touch CUSTOM PROGRAM pad. |
| <u>Enter</u>
Start | 2. Touch ENTER/START pad. |

When the cook time is over, you will hear four beeps and **END** will display.

MORE/LESS

By using the **MORE(9)** or **LESS(1)** pad, all of the pre-programmed cook and time cook features can be adjusted to cook food for a longer or shorter time.

- | | |
|-------------------|-------------------------------------------------------------------------------------------------|
| 9 _{More} | 1. Touching MORE(9) pad will add 10 seconds of cooking time each time you touch it. |
| 1 _{Less} | 2. Touching LESS(1) pad will subtract 10 seconds of cooking time each time you touch it. |

COOKING AT HIGH POWER LEVELS

Example: To cook food for 8 minutes 30 seconds at 100% power.

- | | |
|-----------------------|----------------------------------|
| 8 3 0 | 1. Enter the cook time. |
| <u>Enter</u>
Start | 2. Touch ENTER/START pad. |

When the cook time is over, you will hear four beeps and **END** will display.

NOTE:
If the oven is set to cook for more than 25 minutes, it will automatically adjust itself to 70 percent power after 25 minutes to avoid overcooking.

COOKING AT LOWER POWER LEVELS

HIGH power cooking does not always give you the best results with foods that need slower cooking, such as roasts, baked goods, or custards. Your oven has 9 power settings in addition to HIGH.

Example: To cook food for 7 minutes 30 seconds at 70% power.

- | | |
|-----------------------|----------------------------------|
| 7 3 0 | 1. Enter the cook time. |
| Power Level | 2. Touch POWER LEVEL pad. |
| 7 | 3. Enter the power level. |
| <u>Enter</u>
Start | 4. Touch ENTER/START pad. |

When the cook time is over, you will hear four beeps and **END** will display.

See cooking guide for Power levels, page 11.

COOKING WITH MORE THAN ONE COOK CYCLE

For best results, some recipes call for one Power Level for a certain length of time, and another Power Level for another length of time. Your oven can be set to change from one to another automatically, for up to three cycles if the first cycle is defrost.

Example: To cook food for 3 minutes at 100% power and then 70% power for 7 minutes 30 seconds.

- | | |
|-----------------------|----------------------------------|
| 3 0 0 | 1. Enter the first cook time. |
| Power Level | 2. Touch POWER LEVEL pad. |
| 1 _{Less} 0 | 3. Enter the power level. |
| 7 3 0 | 4. Enter the second cook time. |
| Power Level | 5. Touch POWER LEVEL pad. |
| 7 | 6. Enter the power level. |
| <u>Enter</u>
Start | 7. Touch ENTER/START pad. |

When the cook time is over, you will hear four beeps and **END** will display.

Operating Instructions

COOKING GUIDE FOR POWER LEVELS

The 10 power levels allow you to choose the best power level for the food you are cooking. Below are listed all the power levels, examples of foods best cooked at each level, and the amount of microwave power you are using.

POWER LEVEL	MICROWAVE OUTPUT	USE
10 High	100%	Boil water. Cook ground beef. Make candy. Cook fresh fruits and vegetables Cook fish and poultry. Preheat browning dish. Reheat beverages. Bacon slices.
9	90%	Reheat meat slices quickly. Saute onions, celery, and green pepper.
8	80%	All reheating. Cook scrambled eggs.
7	70%	Cook breads and cereal products. Cook cheese dishes, veal. Cook cakes, muffins, brownies, cupcakes.
6	60%	Cook pasta.
5	50%	Cook meats, whole poultry. Cook custard. Cook whole chicken, turkey, spare ribs, rib roast, sirloin roast.
4	40%	Cook less tender cuts of meat. Reheat frozen convenience foods.
3	30%	Thaw meat, poultry, and seafood. Cook small quantities of food. Finish cooking casserole, stew, and some sauces.
2	20%	Soften butter and cream cheese. Heat small amounts of food.
1	10%	Soften ice cream. Raise yeast dough.

Operating Instructions

SENSOR OPERATING INSTRUCTIONS

Sensor Cook allows you to cook most of your favorite foods without selecting cooking times and power levels. The display will indicate the sensing period by scrolling the name of the food. The oven automatically determines required cooking time for each food item. When the internal sensor detects a certain amount of humidity coming from the food, it will tell the oven how much longer to heat. The oven will beep and either turn off or the display will show the remaining heating time.

For best results for cooking by Sensor, follow these recommendations:

1. Food cooked with the sensor system should be at normal storage temperature.
2. Glass turntable and outside of container should be dry to assure best cooking results.
3. Most foods should be covered loosely with microwavable plastic wrap, waxed paper, or a lid. See sensor tables on page 14.
4. **Do not** open the door or touch the **STOP/CLEAR** pad during the sensing time. When sensing time is over, the oven beeps once and the remaining cooking time will appear in the display window or the oven will turn off. At this time you can open the door to stir, turn, or rearrange the food.

IMPORTANT:

When using sensor cook, the oven must cool for 5 minutes between uses or food will not cook properly.

SENSOR COOKING GUIDE

Appropriate containers and coverings help assure good Sensor cooking results.

1. Always use microwavable containers and cover them with lids or vented plastic wrap.
2. Never use tight-sealing plastic covers. They can prevent steam from escaping and cause food to overcook.
3. Match the amount to the size of the container. Fill containers at least half full for best results.
4. Be sure the outside of the cooking container and the inside of the microwave oven are dry before placing food in the oven. Beads of moisture turning into steam can mislead the sensor.

ADDING OR SUBTRACTING COOK TIME

By using the **MORE(9)** or **LESS(1)** pad all of the sensor cook and time cook settings can be adjusted to cook food for a longer or shorter time.

POPCORN

POPCORN lets you pop commercial-ly packaged microwave popcorn. Pop only one package at a time. For best results, use fresh bags of popcorn.

Example: To pop popcorn

Popcorn Touch **POPCORN** pad.

When the cook time is over, you will hear four beeps and **END** will display.

- Recommended amounts: 3.0-3.5 ozs.

PIZZA SLICE

Reheating pizza with PIZZA SLICE lets you reheat one or several slices of pizza without selecting cooking times and power levels.

Example: To reheat 2 slices of pizza.

Pizza
Slice

Touch **PIZZA
SLICE** pad.

When the cook time is over, you will hear four beeps and **END** will display.

- Recommended amounts: 1-4 slices.
- After heating, let stand for 1-3 minutes.

NOTE:

If food is not thoroughly cooked or reheated when using the sensor feature, complete cooking using a power level and cooking time. **DO NOT** continue using the sensor pad.

Operating Instructions

BAKED POTATO

The BAKED POTATO pad lets you bake one or several potatoes without selecting cooking times and power levels.

NOTES:

- Before baking, pierce potato with fork several times.
- After baking, let stand for 5 minutes.

Example: To cook 2 potatoes.

Baked Potato Touch **BAKED POTATO** pad.

When the cook time is over, you will hear four beeps and **END** will display.

- Recommended amounts: 1-6 potatoes.
- Let stand 5 minutes.

IMPORTANT:

When using sensor cook, the oven must cool for 5 minutes between uses or food will not cook properly.

VEGETABLES

VEGETABLES have preset cook powers for 2 food categories: **Fresh, Frozen.**

Example: To cook Frozen Vegetables.

Vegetables 1. Touch **VEGETABLES** pad.
2. Choose food category.

Category	Touch Pad Number
Fresh Vegetable	1
Frozen Vegetable	2

When the cook time is over, you will hear four beeps and **END** will display.

- Recommended amounts : 1-4 servings

COOK

Using COOK lets you heat common microwave-prepared foods without needing to program cooking times and power levels. COOK has preset cooking times and power levels for 4 food categories: **Beverage, Frozen Dinner, Frozen Breakfast, Chicken Breast.**

Example: To cook Frozen Breakfast.

Cook 1. Touch **COOK** pad.
2. Choose food category.

Category	Touch Pad Number
Beverage	1
Frozen Dinner	2
Frozen Breakfast	3
Chicken Breast	4

When the cook time is over, you will hear four beeps and **END** will display.

Recommended amounts:

Beverage	8-10 ozs.
Frozen Dinner	8-14 ozs.
Frozen Breakfast	4-8 ozs.
Chicken Breast	8-24 ozs.

- After cooking let stand for 1-3 minutes.

REHEAT

REHEAT lets you heat foods without needing to program cooking times and power levels. REHEAT has preset cooking times and power levels for 3 categories: **Dinner Plate, Casserole, and Pasta.**

Example: To reheat Casserole.

Reheat 1. Touch **REHEAT** pad.
2. Choose food category.

Category	Touch Pad Number
Dinner Plate	1
Casserole	2
Pasta	3

When the cook time is over, you will hear four beeps and **END** will display.

Recommended amounts:

Dinner Plate	1 serving
Casserole	1-4 servings
Pasta	1-4 servings

- After reheating let stand for 1-3 minutes.

NOTE:

If food is not thoroughly cooked or reheated when using the sensor feature, complete cooking using a power level and cooking time. **DO NOT** continue using the sensor pad.

Operating Instructions

SENSOR COOK TABLE

CATEGORY		DIRECTIONS	AMOUNT
Popcorn		Use only one microwave-only bag of popcorn at a time. Use caution when removing and opening the hot bag from oven. Let oven cool for at least 5 minutes before using again.	3.0-3.5 oz. 1package
Baked Potato		Prick each potato several times with fork. Place on turntable in spoke-like fashion. Turn the food over when oven beeps. Let stand 3-5 minutes. Let oven cool for at least 5 minutes before using again. Use MORE(9) pad when cooking larger potatoes.	1 to 6 potatoes
Pizza Slice		Put 1-3 slices of pizza on microwave-safe plate with wide end of slice towards the outside edge of the plate. Do not let slices overlap. Do not cover. Let oven cool for at least 5 minutes before using again. Use MORE(9) pad to increase reheat time for thick crust pizza.	1 to 4 slices
VEGETABLES	Fresh Vegetables	Place fresh vegetables in microwave-safe ceramic, glass or plastic dish and add 2-4 Tbs. water. Cover with lid or vented plastic wrap during cooking and stir before standing. Let oven cool for at least 5 minutes before using again. Use MORE(9) pad when cooking dense vegetables such as carrots or broccoli spears.	1 to 4 servings
	Frozen Vegetables	Place frozen vegetables in microwave-safe ceramic, glass or plastic dish and add 2-4 Tbs. water. Cover with lid or vented plastic wrap during cooking and stir before standing. Let oven cool for at least 5 minutes before using again. Use MORE(9) pad when cooking dense vegetables such as carrots or broccoli spears.	1 to 4 servings
COOK	Beverage	Use measuring cup or mug, do not cover. Place the beverage in the oven. After heating, stir well. Let oven cool for at least 5 minutes before using again.	8 to 10 oz.
	Frozen Dinner	Remove food from outer wrapping and follow box instructions for covering and standing. Let oven cool for at least 5 minutes before using again.	8 to 14 oz.
	Frozen Breakfast	Follow package instructions for covering and standing. Use this pad for frozen sandwich, breakfast entree, etc. Let oven cool for at least 5 minutes before using again.	4 to 8 oz.
	Chicken Breast	Place chicken breasts on a microwave-safe plate and cover with plastic wrap. Cook to an internal temperature of 170 degrees F. Let stand 5 minutes. Use the MORE(9) pad to increase cooking time for larger or thicker chicken breasts.	8 to 24 oz.

SENSOR REHEAT TABLE

CATEGORY		DIRECTIONS	AMOUNT
Dinner Plate		Use only pre-cooked, refrigerated foods. Cover plate with vented plastic wrap or waxed paper, tucked under plate. If food is not as hot as you prefer after heating with SENSOR REHEAT, continue heating using time and power. Contents : - 3-4 oz. meat, poultry or fish(up to 6 oz. with bone) - 1/2 cup starch (potatoes, pasta, rice, etc.) - 1/2 cup vegetables (about 3-4 oz.)	1 serving (1 plate)
Casserole		Cover plate with lid or vented plastic wrap. If food is not as hot as you prefer after heating with SENSOR REHEAT, continue heating using time and power. Stir foods once before serving.	1 to 4 servings
Pasta		Contents : - Casserole-refrigerated foods. - Pasta-canned spaghetti and ravioli, refrigerated foods.	

NOTES:

- Desired food temperature varies from person to person.
- Use the **MORE(9)/LESS(1)** pads to fit your temperature preference.
- Allow food to stand 3 to 5 minutes before serving.

NOTE:

If food is not thoroughly cooked or reheated when using the sensor feature, complete cooking using a power level and cooking time.
DO NOT continue using the sensor pad.

Operating Instructions

SOFTEN/MELT

SOFTEN/MELT lets you soften or melt 3 categories of food : **Melt Chocolate, Soften Cream Cheese and Melt Butter.**

Example: To melt chocolate.

Soften /
Melt

1. Touch **SOFTEN/MELT** pad.

1
Less

2. Choose food category(1-3).

Enter
Start

3. Touch **ENTER/START** pad.

Category	Touch Pad Number
Melt Chocolate	1
Soften Cream Cheese	2
Melt Butter	3

SOFTEN/MELT CHART

Item	Amount or servings	Remarks
Melt Chocolate	2 squares or 1 cup chips	<ul style="list-style-type: none"> Place chocolate chips or square in a microwave-safe dish. Stir well at half time when the oven beeps, and re-start the oven. Unless stirred, the chocolate keeps its shape even when heating time is over.
Soften Cream Cheese	1 package (8 oz.)	<ul style="list-style-type: none"> Unwrap cream cheese and place on microwave-safe dish. Let stand 1-2 minutes.
Melt Butter	1 stick (1/4 lb.)	<ul style="list-style-type: none"> Remove wrapping and cut butter in half vertically.
	2 sticks (1/2 lb.)	<ul style="list-style-type: none"> Place butter in dish, cover with wax paper. Stir well after finishing and let stand 1-2 minutes.

Operating Instructions

KIDS MEALS

KIDS MEALS lets you heat 4 categories of food : **Chicken Nuggets, Hot dogs, French Fries and Frozen Sandwiches.**

Example: To cook frozen sandwiches.

Kids Meals

1. Touch **KIDS MEALS** pad.

4

2. Choose food category(1-4).

Enter Start

3. Touch **ENTER/START** pad.

Category	Touch Pad Number
Chicken Nuggets	1
Hot Dogs	2
French Fries	3
Frozen Sandwiches	4

KIDS MEALS CHART

Item	Amount or servings	Remarks
Chicken Nuggets	1 serving (4-5 oz.) 2 servings (6-7 oz.)	<ul style="list-style-type: none"> Put a paper towel on top of plate and arrange nuggets in spoke fashion on paper towel. Do not cover. Let stand 1 minute.
Hot Dogs	2 EA 4 EA	<ul style="list-style-type: none"> Prick hot dogs, place on plate. When the oven beeps, add buns and re-start the oven.
French Fries	1 serving (4-5 oz.) 2 servings (6-7 oz.)	<ul style="list-style-type: none"> Place 2 paper towels on plate and arrange french fries on towels, do not overlap. Blot with additional paper towel after removal from oven.
Frozen Sandwiches	1 EA 2 EA	<ul style="list-style-type: none"> Place frozen sandwich in susceptor "sleeve" (which is in package) and put on plate.

Operating Instructions

SNACKS

SNACKS lets you heat 4 categories of food : **Nachos, Chicken Wings, Potato Skins, and Cheese Sticks.**

Example: To cook chicken wings.

- Snacks
1. Touch **SNACKS** pad.
 2. Choose food category(1-4).
 3. Select serving size.
(Chicken Wings, Potato Skins, Cheese Sticks)

Category	Touch Pad Number
Nachos	1
Chicken Wings	2
Potato Skins	3
Cheese Sticks	4

- Enter**
Start
4. Touch **ENTER/START** pad.

SNACKS CHART

Item	Amount or servings	Remarks
Nachos	1 serving	<ul style="list-style-type: none"> • Place tortilla chips on plate without overlapping. • Sprinkle evenly with cheese. • Contents : <ul style="list-style-type: none"> - 2 cups tortilla chips - 1/3 cup grated cheese
Chicken Wings	5-6 oz. 7-8 oz.	<ul style="list-style-type: none"> • Use pre-cooked, refrigerated chicken wings. • Place chicken wings around plate in spoke fashion and cover with wax paper. • Touch '1' or '2' to select amount.
Potato Skins	1 cooked potato 2 cooked potatoes	<ul style="list-style-type: none"> • Cut cooked potato into 4 even wedges. Scoop or cut out potato flesh, leaving about 1/4" of skin. • Place skins in spoke fashion around plate. • Sprinkle with bacon, onions and cheese. Do not cover. • Touch '1' or '2' to select amount.
Cheese Sticks	5-6 pcs 7-10 pcs	<ul style="list-style-type: none"> • Place cheese sticks on plate in spoke fashion. • Do not cover. • Touch '1' or '2' to select amount.

Operating Instructions

AUTO DEFROST

Defrost choices are preset in the oven. The defrost feature provides you with the best defrosting method for frozen foods, because the oven automatically sets the defrosting times according to the weight you enter. For added convenience, the AUTO DEFROST includes beeps to remind you to check or turn over the food during the defrost cycle.

After touching the **AUTO DEFROST** pad once, select the food weight. Available weight ranges are 0.1 to 6.0 lbs.

Example : To defrost 1.2 lbs of meat.

- | | |
|------------------------------------------------------------------|--------------------------------------------------------------------------------------------------------|
| Auto
Defrost

1 <small>Less</small> 2
Enter
Start | 1. Touch AUTO DEFROST pad.

2. Enter the weight.

3. Touch ENTER/ START pad. |
|------------------------------------------------------------------|--------------------------------------------------------------------------------------------------------|

NOTES:

- After you touch **ENTER/ START** pad, the display counts down the defrost time. The oven will beep twice during the Defrost cycle. At this time, open the door and turn the food as needed. Remove any portions that have thawed then return frozen portions to the oven and touch **ENTER/START** pad to resume the defrost cycle.
- **The oven will beep to signal you to check or turn over the food.**

DEFROSTING GUIDE

- Follow the instructions below when defrosting different types of food.

Food	Standard Amount	Procedure
Roast Beef, Pork	2.5-6.0 lbs.	Start with the food placed fat side down. After each stage, turn the food over and shield any warm portions with narrow strips of aluminum foil. Let stand, covered, for 15 to 30 minutes.
Steaks, Chops, Fish	0.5-3.0 lbs.	After each stage, rearrange the food. If there are any warm or thawed portions of food, shield them with narrow flat pieces of aluminum foil. Remove any pieces of food that are nearly defrosted. Let stand, covered, for 5-10 minutes
Ground Meat	0.5-3.0 lbs.	After each stage, remove any pieces of food that are nearly defrosted. Let stand, covered with foil, for 5-10 minutes.
Whole Chicken	2.5-6.0 lbs.	Remove giblets before freezing poultry. Start defrosting with the breast side down. After the first stage, turn the chicken over and shield any warm portions with narrow strips of aluminum foil. After the second stage, again shield any warm portions with narrow strips of aluminum foil. Let stand, covered for 30-60 minutes in the refrigerator.
Chicken Pieces	0.5-3.0 lbs.	After each stage, rearrange or remove any pieces of food that are nearly defrosted. Let stand for 10-20 minutes.

DEFROST TIPS

- When using AUTO DEFROST, the weight to be entered is the net weight in pounds and tenths of pounds (the weight of the food minus the container).
- Use AUTO DEFROST only for raw food. AUTO DEFROST gives best results when food to be thawed is a minimum of 0°F (taken directly from a true freezer). If food has been stored in a refrigerator-freezer that does not maintain a temperature of 5°F or below, always program a lower food weight (for a shorter defrosting time) to prevent cooking the food.
- If the food is stored outside the freezer for up to 20 minutes, enter a lower food weight.
- The shape of the package alters the defrosting time. Shallow rectangular packets defrost more quickly than a deep block.
- Separate pieces as they begin to defrost. Separated pieces defrost more easily.
- Shield areas of food with small pieces of foil if they start to become warm.
- You can use small pieces of aluminum foil to shield foods like chicken wings, leg tips, and fish tails, but the foil must not touch the side of the oven. Foil causes arcing, which can damage the oven lining.
- Let food stand covered for 15 to 30 minutes.
- Let Roasts or Whole poultry stand for 30 to 60 minutes.

Operating Instructions

COOKING GUIDE

Guide for Cooking Meat in Your Microwave

- Place meat on a microwave-safe roasting rack in a microwave-safe dish.
- Start meat fat-side down. Use narrow strips of aluminum foil to shield any bone tips or thin meat areas.
- Check the temperature in several places before letting the meat stand the recommended time.
- The following temperatures are removal temperatures. The temperature of the food will rise during the standing time.

Food	Cook time	Power level	Directions
Roast Beef Boneless (Up to 4 lbs.)	8-12 min./lb. for 145° F (Rare)	High(10) for first 5 minutes, then medium(5)	Place roast fat-side down on roasting rack. Cover with wax paper. Turn over half way through cooking. Let stand 10 minutes.
	9-13 min./lb. for 160° F (Medium)		
	10-15 min./lb. for 170° F (Well Done)		
Pork Boneless or bone-in (Up to 4 lbs.)	12-16 min./lb. for 170° F (Well Done)	High(10) for first 5 minutes, then medium(5)	Place roast fat-side down on roasting rack. Cover with wax paper. Turn over half way through cooking. Let stand 10 minutes.

- Expect a 10°F rise in temperature during the standing time.

Food		Remove from oven	After standing (10 min.)
Beef	Rare	135°F	145°F
	Medium	150°F	160°F
	Well Done	160°F	170°F
Pork	Medium	150°F	160°F
	Well Done	160°F	170°F
Poultry	Dark meat	170°F	180°F
	Light meat	160°F	170°F

Guide for Cooking Poultry in Your Microwave

- Place poultry on a microwave-safe roasting rack in a microwave-safe dish.
- Cover poultry with wax paper to prevent spattering.
- Use aluminum foil to shield bone tips, thin meat areas, or areas that start to overcook.
- Check the temperature in several places before letting the poultry stand the recommended time.

Food	Cook Time/Power Level	Directions
Whole Chicken Up to 4 lbs.	Cooking Time: 7-10 min. / lb. 180°F dark meat 170°F light meat Power Level: Medium High(7).	Place chicken breast-side down on roasting rack. Cover with wax paper. Turn over half way through cooking. Cook until juices run clear and meat near the bone is no longer pink. Let stand 5-10 minutes.
Chicken Pieces Up to 2 lbs.	Cooking Time: 7-10 min. / lb. 180°F dark meat 170°F light meat Power Level: Medium High(7).	Place chicken bone-side down on dish, with the thickest portions towards the outside of the dish. Cover with wax paper. Turn over half way through cooking. Cook until juices run clear and meat near the bone is no longer pink. Let stand 5-10 minutes.

Operating Instructions

Guide for Cooking Seafood in Your Microwave

- Cook fish until it flakes easily with a fork.
- Place fish on a microwave-safe roasting rack in a microwave-safe dish.
- Use a tight cover to steam fish. A lighter cover of wax paper or paper towel provides less steaming.
- Do not overcook fish; check it at minimum cooking time.

Food	Cook Time/Power Level	Directions
Steaks Up to 1.5 lbs.	Cooking Time: 7-11 min. / lb. Power Level: Medium-High(7)	Arrange steaks on roasting rack with meaty portions towards the outside of rack. Cover with wax paper. Turn over and rearrange when cooking time is half up. Cook until fish flakes easily with a fork. Let stand 3-5 minutes.
Fillets Up to 1.5 lbs.	Cooking Time: 4-8 min. / lb. Power Level: Medium-High(7)	Arrange fillets in a baking dish, turning any thin pieces under. Cover with wax paper. If over ½ inch thick, turn over and rearrange when cooking time is half up. Cook until fish flakes easily with a fork. Let stand 2-3 minutes.
Shrimp Up to 1.5 lbs.	Cooking Time: 4-6 ½ min. / lb. Power Level: Medium-High(7).	Arrange shrimp in a baking dish without overlapping or layering. Cover with wax paper. Cook until firm and opaque, stirring 2 or 3 times. Let stand 5 minutes.

Guide for Cooking Eggs in Your Microwave

- **Never** cook eggs in the shell, and **never** warm hard-cooked eggs in the shell; they can explode.
- Always pierce whole eggs to keep them from bursting.
- Cook eggs just until set; they become tough if overcooked.

Guide for Cooking Vegetables in Your Microwave

- Vegetables should be washed just before cooking. Often, no extra water is needed. If dense vegetables such as potatoes, carrots and green beans are being cooked, add about ¼ cup water.
- Small vegetables (sliced carrots, peas, lima beans, etc.) will cook faster than larger ones.
- Whole vegetables, such as potatoes, acorn squash or corn on the cob, should be arranged in a circle on the turntable before cooking. They will cook more evenly if turned over after half the cooking time has passed.
- Always place vegetables like asparagus and broccoli with the stem ends pointing towards the edge of the dish and the tips toward the center.
- When cooking cut vegetables, always cover the dish with a lid or vented microwavable plastic wrap.
- Whole, unpeeled vegetables such as potatoes, squash, eggplant, etc., should have their skin pricked in several spots before cooking to prevent them from bursting.
- For more even cooking, stir or rearrange whole vegetables halfway through the cooking time.
- Generally, the denser the food, the longer the standing time. (Standing time refers to the time necessary for dense, large foods and vegetables to finish cooking after they come out of the oven.) A baked potato can stand on the counter for five minutes before cooking is completed, while a dish of peas can be served immediately.

Care and Cleaning

CARE AND CLEANING

For best performance and safety, keep the oven clean inside and out-side. Take special care to keep the inner door panel and the oven front frame free of food or grease build-up. Never use rough powder or pads. Wipe the microwave oven inside and out, including the hood bottom cover, with a soft cloth and a warm (not hot) mild detergent solution. Then rinse and wipe dry. Use a chrome cleaner and polish on chrome, metal and aluminum surfaces. Wipe spatters immediately with a wet paper towel, especially after cooking chicken or bacon. Clean your oven weekly or more often, if needed.

Follow these instructions to clean and care for your oven.

- Keep the inside of the oven clean. Food particles and spilled liquids can stick to the oven walls, causing the oven to work less efficiently.
- Wipe up spills immediately. Use a damp cloth and mild soap. Do not use harsh detergents or abrasives.
- To help loosen baked on food particles or liquids, heat two cups of water (add the juice of one lemon if you desire to keep the oven fresh) in a four-cup measuring glass at High power for five minutes or until boiling. Let stand in the oven for one or two minutes.
- Remove the glass tray from the oven when cleaning the oven or tray. To prevent the tray from breaking, handle it carefully and do not put it in water immediately after cooking. Wash the tray carefully in warm sudsy water or in the dishwasher.
- Clean the outside surface of the oven with soap and a damp cloth. Dry with a soft cloth. To prevent damage to the operating parts of the oven, don't let water seep into the openings.
- Wash the door window with very mild soap and water. Be sure to use a soft cloth to avoid scratching.
- If steam accumulates inside or outside the oven door, wipe with a soft cloth. Steam can accumulate when operating the oven in high humidity and in no way indicates microwave leakage.
- Never operate the oven without food in it; this can damage the magnetron tube or glass tray. You may wish to leave a cup of water in the oven when it is not in use to prevent damage if the oven is accidentally turned on.

Cooking Utensils

Recommended Use

- **Glass and glass-ceramic bowls and dishes** — Use for heating or cooking.
- **Microwave Browning dish** — Use to brown the exterior of small items such as steaks, chops, or pancakes. Follow the directions provided with your Browning dish.
- **Microwavable plastic wrap** — Use to retain steam. Leave a small opening for some steam to escape and avoid placing it directly on the food.
- **Wax paper** — Use as a cover to prevent spattering.
- **Paper towels and napkins** — Use for short-term heating and covering; they absorb excess moisture and prevent spattering. Do not use recycled paper towels, which may contain metal and can catch fire.
- **Paper plates and cups** — Use for short-term heating at low temperatures. Do not use recycled paper, which may contain metal and can catch fire.
- **Thermometers** — Use only those labeled “Microwave Safe.” and follow all directions. Check the food in several places. Conventional thermometers may be used once the food has been removed from the oven.

Limited Use

- **Aluminum foil** — Use narrow strips of foil to prevent overcooking of exposed areas. Keep the foil no more than 1-2 inches long and 1 inch wide. Using too much foil can damage your oven, so be careful.
- **Ceramic, porcelain, and stoneware** — Use these if they are labeled “Microwave Safe.” If they are not labeled, test them to make sure they can be used safely. Never use dishes with metallic trim.
- **Plastic** — Use only if labeled “Microwave Safe.” Other plastics can melt.
- **Straw, wicker, and wood** — Use only for short-term heating, as they can be flammable.

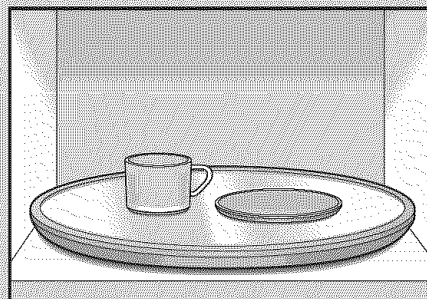
Not Recommended

- **Glass jars and bottles** — Regular glass is too thin to be used in a microwave, and can shatter.
- **Paper bags** — These are a fire hazard, except for popcorn bags that are designed for microwave use.
- **Styrofoam plates and cups** — These can melt and leave an unhealthy residue on food.
- **Plastic storage and food containers** — Containers such as margarine tubs can melt in the microwave.
- **Metal utensils** — These can damage your oven. Remove all metal before cooking.

Testing Utensils

If you are not sure whether a dish is microwave-safe or not, you can perform this test:

1. Fill a glass measuring cup with water and put it inside your oven, next to the dish you want to test.



2. Press the **Add 30sec.** button once to heat them for 30 seconds at High power.

The water should be warm and the dish you are testing should be cool. If the dish is warm, then it is absorbing microwave energy and is not acceptable for use in the microwave.

Troubleshooting

TROUBLESHOOTING GUIDE

Before you call a repair person for your oven, check this list of possible problems and solutions.

Neither the oven's display nor the oven operate.

- Properly insert the plug into a grounded outlet.
- If the outlet is controlled by a wall switch, make sure the wall switch is turned on.
- Remove the plug from the outlet, wait ten seconds, then plug it in again.
- Reset the circuit breaker or replace any blown fuse.
- Plug another appliance into the outlet; if the other appliance doesn't work, have a qualified electrician repair the outlet.
- Plug the oven into a different outlet.

The oven's display works, but the power won't come on.

- Make sure the door is closed securely.
- Check to see if packing material or other material is stuck to the door seal.
- Check for door damage.
- Touch STOP/CLEAR pad twice and re-enter all cooking instructions.

The power goes off before the set time has elapsed.

- If there has not been a power outage, remove the plug from the outlet, wait ten seconds, then plug it in again. If there was a power outage, the time indicator will display: **PLEASE TOUCH CLOCK AND SET TIME OF DAY.** Reset the clock and any cooking instructions.
- Reset the circuit breaker or replace any blown fuse.

The food is cooking too slowly.

- Make sure the oven is on its own 20 amp circuit line. Operating another appliance on the same circuit can cause a voltage drop. If necessary, move the oven to its own circuit.

You see sparks or arcing.

- Remove any metallic utensils, cookware, or metal ties. If using foil, use only narrow strips and allow at least one inch between the foil and interior oven walls.

The turntable makes noises or sticks.

- Clean the turntable, roller ring and oven floor.
- Make sure the turntable and roller ring are positioned correctly.

Using your microwave causes TV or radio interference.

- This is similar to the interference caused by other small appliances, such as hair dryers. Move your microwave further away from other appliances, like your TV or radio.

If you have a problem you cannot solve,
please call our service line:

1-800-688-9900 U.S.A.

1-800-688-2002 Canada

NOTE:

If the oven is set to cook for more than 25 minutes, it will automatically adjust itself to 70 percent power after 25 minutes to avoid overcooking.

Warranty and Service

Warranty

Limited One Year Warranty - Parts and Labor

For one (1) Year from the original retail purchase date, any part that fails in normal home use will be repaired or replaced free of charge.

Canadian Residents

The above warranties only cover an appliance installed in Canada that has been certified or listed by appropriate test agencies for a compliance to a National Standard of Canada unless the appliance was brought into Canada due to transfer of residence from the United States to Canada.

*The specific warranties expressed above are the **ONLY** warranties provided by the manufacturer. These warranties give you specific legal rights, and you may also have other rights which vary from state to state.*

CUSTOMER'S SOLE AND EXCLUSIVE REMEDY UNDER THIS LIMITED WARRANTY SHALL BE PRODUCT REPAIR AS PROVIDED HEREIN. IMPLIED WARRANTIES, INCLUDING WARRANTIES OF MERCHANTABILITY OR FITNESS FOR A PARTICULAR PURPOSE, ARE LIMITED TO ONE YEAR OR THE SHORTEST PERIOD ALLOWED BY LAW. MAYTAG CORPORATION SHALL NOT BE LIABLE FOR INCIDENTAL OR CONSEQUENTIAL DAMAGES. SOME STATES AND PROVINCES DO NOT ALLOW THE EXCLUSION OR LIMITATION OF INCIDENTAL OR CONSEQUENTIAL DAMAGES, OR LIMITATIONS ON THE DURATION OF IMPLIED WARRANTIES OF MERCHANTABILITY OR FITNESS, SO THESE EXCLUSIONS OR LIMITATIONS MAY NOT APPLY TO YOU. THIS WARRANTY GIVES YOU SPECIFIC LEGAL RIGHTS AND YOU MAY ALSO HAVE OTHER RIGHTS, WHICH VARY STATE TO STATE OR PROVINCE TO PROVINCE.

What is Not Covered By These Warranties

1. Conditions and damages resulting from any of the following:
 - a. Improper installation, delivery, or maintenance.
 - b. Any repair, modification, alteration, or adjustment not authorized by the manufacturer or an authorized servicer.
 - c. Misuse, abuse, accidents, unreasonable use, or acts of God.
 - d. Incorrect electric current, voltage, electrical and/or gas supply.
 - e. Improper setting of any control.
2. Warranties are void if the original serial numbers have been removed, altered or cannot be readily determined.
3. Light bulbs, water filters and air filters.
4. Products purchased for commercial or industrial use.
5. The cost of service or service call to:
 - a. Correct installation errors. For products requiring ventilation, rigid metal ducting must be used.
 - b. Instruct the user on the proper use of the product.
 - c. Transport the appliance to and from the servicer.
6. Any food loss due to refrigerator or freezer product failures.
7. Expenses for travel and transportation for product service in remote locations.
8. Outside of the United States and Canada this warranty does not apply. Contact your dealer to determine if another warranty applies.
9. Consequential or incidental damages sustained by any person as a result of any breach of these warranties. Some states do not allow the exclusion or limitation of consequential or incidental damages, so the above exclusion may not apply.

If You Need Service

First see the Troubleshooting section in your Use and Care Guide or call the dealer from whom your appliance was purchased or call Maytag Services, LLC, Customer Assistance at 1-800-688-9900 USA and 1-800-688-2002 Canada to locate an authorized servicer.

- Be sure to retain proof of purchase to verify warranty status. Refer to WARRANTY for further information on owner's responsibilities for warranty service.
- If the dealer or service company cannot resolve the problem, write to Maytag Services LLC, Attn: CAIR® Center, P.O. Box 2370, Cleveland, TN 37320-2370, or call **1-800-688-9900 U.S.A. and 1-800-688-2002 Canada**. U.S. customers using TTY for deaf, hearing impaired or speech impaired, call 1-800-688-2080.
- User's guides, service manuals and parts information are available from Maytag Services LLC, Customer Assistance.

Notes: When contacting about a service problem, please include

- a. Your name, address and telephone number.
- b. Model number and serial number.
- c. Name and address of your dealer or servicer.
- d. A clear description of the problem you are having.
- e. Proof of purchase (sales receipt).

Four à micro-ondes

Manuel d'entretien et d'utilisation Modèle AMC2206BA

CONSIGNES DE SÉCURITÉ IMPORTANTES	26
Consignes de sécurité pour éviter une possible exposition à une quantité trop importante de micro-ondes	28
Installation et utilisation	30
Fonctions	31
Consignes d'utilisation	33
Entretien et nettoyage	45
Ustensiles de cuisine	46
Dépannage	47
Garantie et assistance	48
Guía de uso y cuidado	49

Conservez précieusement ces instructions en vue d'une consultation ultérieure.
Gardez ce manuel à proximité du four.

CONSIGNES DE SÉCURITÉ IMPORTANTES

Installateur : laissez ce manuel avec l'appareil.
Client : veuillez lire et conserver ce manuel d'entretien et d'utilisation en vue d'une consultation ultérieure.

Conservez le ticket de caisse et/ou le chèque annulé comme preuve d'achat.

Numéro de modèle : _____

Numéro de série : _____

Date d'achat : _____

Dans le cadre de nos efforts permanents pour améliorer la qualité et les performances de nos produits, des modifications peuvent être apportées à l'appareil sans révision du présent manuel.

Pour toute question, contactez-nous par courrier (en précisant le numéro du modèle et votre numéro de téléphone) ou par téléphone :

Maytag Services^{LLC}

Attn : CAIR® Center

P.O. Box 2370

Cleveland, TN 37320-2370

1-800-688-9900 aux États-Unis

1-800-688-2002 au Canada.

1-800-688-2080 (téléscripteur américain pour les malentendants et les personnes souffrant de troubles de l'élocution)

(Lun.-Ven., 8h. - 20h. heure de la Côte Est)

Site Internet : <http://www.amana.com>

Ce que vous devez savoir sur les consignes de sécurité

Les avertissements et consignes de sécurité figurant dans ce manuel d'entretien et d'utilisation ne sont pas destinés à couvrir toutes les conditions et situations possibles. Des mesures de bon sens, de précaution et de soin doivent être prises lors de l'installation, de l'entretien ou de l'utilisation du micro-ondes.

Contactez toujours votre vendeur, distributeur, réparateur ou le fabricant en cas de fonctionnement anormal de l'appareil.

Apprenez à reconnaître les symboles, termes et étiquettes relatifs à la sécurité.

⚠ DANGER

DANGER : risques immédiats provoquant **SYSTEMATIQUEMENT** des blessures graves, voire mortelles.

⚠ AVERTISSEMENT

AVERTISSEMENT : risques ou utilisations dangereuses **POUVANT** provoquer des blessures graves, voire mortelles.

⚠ ATTENTION

ATTENTION : risques ou utilisations dangereuses **POUVANT** provoquer des blessures sans gravité.

⚠ AVERTISSEMENT

Les liquides tels que l'eau, le café ou le thé peuvent être chauffés au-delà du point d'ébullition sans que le phénomène ne soit visible en raison de la tension superficielle s'exerçant à la surface du liquide. L'ébullition ou le bouillonnement n'est pas toujours visible lorsque le récipient est sorti du micro-ondes. **UN TEL PHENOMENE PEUT ENTRAINER LE DÉBORDEMENT SOUDAIN PAR EBULLITION DE LIQUIDES TRÈS CHAUDS LORSQU'UNE CUILLERE OU UN AUTRE USTENSILE EST INTRODUIT DANS LE LIQUIDE.** Consignes pour réduire le risque de blessures :

1. **Ne surchauffez pas** le liquide.
2. Remuez le liquide avant et à la moitié du temps de chauffe.
3. **N'utilisez pas** de récipients dotés de bords droits à col étroit.
4. Une fois le temps de chauffe écoulé, laissez le récipient dans le micro-ondes pendant quelques instants avant de le sortir.
5. Soyez extrêmement prudent lorsque vous introduisez une cuillère ou un autre ustensile dans le récipient.

CONSERVEZ PRÉCIEUSEMENT CES INSTRUCTIONS

CONSIGNES DE SÉCURITÉ IMPORTANTES

⚠ AVERTISSEMENT

Lorsque vous utilisez des appareils électriques, des règles de sécurité de base doivent être respectées afin de réduire les risques de brûlure, de choc électrique, d'incendie, de blessures ou d'exposition à une quantité trop importante de micro-ondes.

1. **LISEZ ATTENTIVEMENT** toutes les consignes avant d'utiliser le four.
2. **LISEZ ATTENTIVEMENT ET RESPECTEZ** les « CONSIGNES DE SECURITE POUR ÉVITER UNE POSSIBLE EXPOSITION A UNE QUANTITE TROP IMPORTANTE DE MICRO-ONDES » en page 28.
3. Installez ce four **UNIQUEMENT** en vous conformant aux consignes fournies dans ce manuel.
4. Certains produits tels que les œufs entiers (avec leur coquille) et les récipients clos (ex. : récipients en verre fermés) sont susceptibles d'exploser et **NE DOIVENT PAS** être **INTRODUITS** dans ce four.
5. Utilisez ce four **UNIQUEMENT** pour l'usage auquel il est destiné et qui est décrit dans ce manuel. N'utilisez pas de produits chimiques ou de vapeurs à caractère corrosif dans ce four. Ce type de four est spécifiquement conçu pour réchauffer, cuire ou déshydrater des aliments. Il n'est pas conçu pour être utilisé dans un laboratoire ou dans un environnement industriel.
6. Comme pour tout appareil, une **SURVEILLANCE ÉTROITE** est nécessaire lorsqu'il est utilisé par des **ENFANTS** ou des **PERSONNES INFIRMES**.
7. Consultez les instructions relatives au nettoyage de la porte dans la section « Entretien et nettoyage ».
8. Retirez le couvercle des petits pots pour bébés avant de les réchauffer et mélangez-en le contenu ou secouez le pot avant de consommer afin d'éviter les brûlures.
9. **N'UTILISEZ PAS** ce four à des fins commerciales. Il est réservé à un usage domestique.
10. **NE FAITES PAS** réchauffer les biberons dans le four.
11. **N'UTILISEZ PAS** ce four si un câble ou une prise est endommagé(e), s'il ne fonctionne pas correctement, s'il a été endommagé ou s'il est tombé.
12. Le four et le câble d'alimentation doivent **UNIQUEMENT** être réparés par du personnel qualifié. Toute réparation nécessite en effet l'utilisation d'outils spéciaux. Contactez le service après-vente le plus proche de chez vous si vous souhaitez effectuer un contrôle, une réparation ou un réglage.
13. **NE LAISSEZ PAS** et n'obturez jamais le filtre ou les autres ouvertures du four.
14. **NE STOCKEZ PAS** le four à l'extérieur. **N'UTILISEZ PAS** ce produit à proximité d'un plan d'eau (ex. : près d'un évier, dans une cave humide, à côté d'une piscine ou dans des endroits similaires).
15. **N'IMMERGEZ PAS** la prise dans l'eau.
16. Conservez la prise **A L'ABRI** des surfaces **CHAUFFÉES**.
17. **NE LAISSEZ PAS** la prise pendre par-dessus le bord d'une table ou d'un comptoir.

⚠ ATTENTION

Pour éviter tout risque d'incendie à l'intérieur du four :

- a. **NE surchauffez PAS** les aliments. Surveillez attentivement la cuisson lorsque vous placez du papier, du plastique ou d'autres matériaux combustibles à l'intérieur du four pour faciliter la cuisson.
- b. Retirez les ligatures métalliques des sacs en papier ou en plastique avant de les placer dans le four.
- c. Si les matériaux situés à l'intérieur du four prennent feu, laissez la porte du four **FERMÉE**, éteignez le four et débranchez la prise ou coupez l'alimentation au niveau du fusible ou du tableau à disjoncteurs.
- d. **N'UTILISEZ PAS** l'enceinte du four comme espace de rangement. **NE LAISSEZ PAS** de papiers, d'ustensiles de cuisine ou d'aliments à l'intérieur du four lorsque celui-ci est inutilisé.

CONSERVEZ PRÉCIEUSEMENT CES INSTRUCTIONS

CONSIGNES DE SÉCURITÉ IMPORTANTES

Consignes de sécurité pour éviter une possible exposition à une quantité trop importante de micro-ondes

- A. **N'UTILISEZ JAMAIS** le four porte ouverte ; vous risqueriez d'être exposé à une quantité trop importante de micro-ondes. Ne tentez jamais de neutraliser ou de passer outre le verrouillage de sécurité.
- B. **NE PLACEZ AUCUN** objet entre la façade du four et la porte et ne laissez aucune salissure ni aucun reste de produit d'entretien s'accumuler sur les surfaces assurant l'étanchéité.
- C. **N'UTILISEZ PAS** le four si celui-ci est endommagé. Veillez toujours à ce que la porte soit fermée hermétiquement et que les composants suivants ne soient pas endommagés :
1. La porte (risque de déformation),
 2. Charnières et loquets (cassés ou desserrés),
 3. Joints de la porte et surfaces d'étanchéité.
- D. Le four ne doit être réparé ou réglé que par du personnel qualifié.

⚠ ATTENTION

Pour éviter tout risque de dommages corporels ou matériels, respectez les consignes suivantes :

1. **Ne** faites rien frire dans le four. L'huile risquerait de surchauffer et d'être dangereuse à manipuler.
2. **Ne** cuisez ou ne réchauffez jamais d'œufs dans leur coquille ou avec un jaune entier non percé à l'aide de cet appareil micro-ondes. L'accumulation de la pression risquerait en effet de provoquer une explosion. Percez le jaune à l'aide d'un couteau ou d'une fourchette avant de procéder à la cuisson.
3. Pratiquez une fente au centre des pommes de terre, des tomates et des aliments similaires avant de les faire cuire au micro-ondes. Cette ouverture permet ainsi à la vapeur de s'échapper de façon régulière.
4. N'utilisez jamais le four à vide.
5. Lorsque vous souhaitez faire réchauffer du pop-corn, n'utilisez qu'un produit dont l'emballage est spécialement conçu pour être utilisé au micro-ondes. La durée de l'éclatement varie en fonction de la puissance du four. Ne continuez pas la cuisson après la fin de l'éclatement. Le pop-corn risquerait en effet de brûler. **Ne** laissez jamais le four sans surveillance.
6. **Ne** placez pas de thermomètres de cuisson classiques dans le four. La plupart des thermomètres de cuisson contiennent du mercure et risquent d'entraîner la formation d'un arc électrique, de provoquer un dysfonctionnement ou d'endommager le four.
7. **Ne** placez jamais d'objets métalliques (ustensiles ou autres) à l'intérieur du four.
8. N'utilisez jamais de papier, de plastique ou d'autres matériaux combustibles qui ne sont pas conçus pour résister à la cuisson.
9. Lorsque vous faites cuire des aliments dotés d'un emballage en papier, en plastique ou fabriqué dans un autre matériau combustible, suivez les recommandations du fabricant concernant l'utilisation du produit.
10. N'utilisez pas de serviettes en papier contenant du nylon ou d'autres fibres synthétiques. Les matières synthétiques risqueraient de fondre et d'enflammer le papier.
11. **Ne** placez jamais de récipients ou de sacs plastique fermés hermétiquement à l'intérieur du four. Le volume des aliments ou du liquide contenu(s) à l'intérieur augmenterait alors fortement, risquant ainsi de faire éclater le récipient ou le sac. Percez ou ouvrez le récipient ou le sac avant de procéder à la cuisson.
12. Si l'utilisateur est porteur d'un stimulateur cardiaque, consultez un médecin ou le fabricant du stimulateur pour connaître les effets des micro-ondes sur l'appareil et éviter ainsi tout dysfonctionnement.

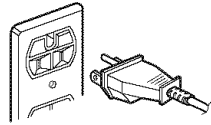
CONSERVEZ PRÉCIEUSEMENT CES INSTRUCTIONS

CONSIGNES DE SÉCURITÉ IMPORTANTES

⚠ AVERTISSEMENT

Pour éviter tout risque de choc électrique susceptible d'entraîner une électrocution ou un accident mortel, reliez le four à la terre et veillez à ce que la prise ne soit pas endommagée ou modifiée de quelque manière que ce soit.

Consignes de mise à la terre



Le four **DOIT** être relié à la terre. La mise à la terre réduit le risque d'électrocution en fournissant un fil de sortie au courant en cas de court-circuit. Ce four est équipé d'un cordon disposant d'une prise de mise à la terre. La fiche doit être branchée sur une prise secteur installée et mise à la terre conformément à la législation en vigueur. Reportez-vous aux consignes d'installation.

Consultez un électricien ou un réparateur qualifié si les consignes de mise à la terre ne vous semblent pas claires ou si vous n'êtes pas sûr que le four soit correctement mis à la terre.

N'utilisez pas de rallonge. Si le cordon d'alimentation est trop court, faites installer une prise à trois fentes par un électricien qualifié. Le four doit être branché sur un circuit de 60 Hz indépendant et présentant les caractéristiques électriques indiquées dans le tableau des spécifications. Lorsque d'autres appareils sont branchés sur le même circuit que le four, il peut être nécessaire d'augmenter les temps de cuisson ; dans une telle situation, les fusibles risquent de griller.

Ce four micro-ondes fonctionne sur le courant domestique standard, à savoir 110-120 V.

⚠ AVERTISSEMENT

Ne coupez ni ne retirez la troisième broche (mise à la terre).

Déclaration FCC (Federal Communications Commission) relative aux perturbations radioélectriques (Etats-Unis uniquement)

Cet appareil émet et utilise des fréquences ISM ; par conséquent, il peut provoquer des interférences électriques sur votre radio ou votre téléviseur s'il n'est pas installé et utilisé correctement, c'est à dire conformément aux instructions du fabricant. Il a fait l'objet d'un essai de type et a été considéré conforme aux limites fixées pour les appareils ISM selon le chapitre 18 de la réglementation FCC destinée à offrir au consommateur une protection raisonnable contre de telles perturbations dans le cadre d'un usage domestique.

Il n'est toutefois pas garanti qu'aucune interférence ne se produira dans le cadre d'une installation en particulier. S'il s'avère que cet appareil produit des interférences néfastes avec votre radio ou votre téléviseur (pour le vérifier, éteignez puis rallumez l'appareil), tentez de corriger le problème en appliquant l'une des mesures suivantes :

- Réorientez l'antenne de votre radio ou de votre téléviseur.
- Changez l'emplacement du micro-ondes en fonction du récepteur.
- Eloignez le micro-ondes du récepteur.
- Branchez le four micro-ondes sur une autre prise secteur de sorte que le micro-ondes et le récepteur soient branchés sur des circuits différents.

Le fabricant ne saurait être tenu pour responsable d'éventuelles interférences au niveau de la radio ou du téléviseur du fait de **modifications non autorisées** apportées à ce four. Il incombe à l'utilisateur de corriger ces perturbations.

CONSERVEZ PRÉCIEUSEMENT CES INSTRUCTIONS

Installation et utilisation

CIRCUITS

Pour des raisons de sécurité, ce four doit être branché sur un circuit de 15 ou 20 A. Aucun autre appareil électrique ou circuit d'éclairage ne doit être branché sur cette ligne. En cas de doute, consultez un électricien qualifié.

TENSION

La tension utilisée au niveau de la prise murale doit être identique à celle spécifiée sur la plaque signalétique se trouvant sur la face interne de la porte du four. L'utilisation d'une tension supérieure est dangereuse et risque de provoquer un incendie ou un autre type d'accident pouvant endommager le four. À l'inverse, si la tension est inférieure à celle recommandée, la cuisson s'en trouvera ralentie. Si votre four micro-ondes ne fonctionne pas normalement alors que la tension est correcte, retirez et rebranchez la prise.

EMPLACEMENT DU FOUR

Vous pouvez aisément installer le four micro-ondes dans votre cuisine, dans votre salle de séjour ou dans n'importe quelle autre pièce de votre maison. Placez le four sur une surface plane comme un plan de travail ou une table roulante spécialement conçue pour les micro-ondes. Ne l'installez pas au-dessus d'une cuisinière électrique ou à gaz. Il est important que l'air puisse circuler librement autour du four.

DEBALLAGE

- Vérifiez que le four n'est pas endommagé (ex. : présence de coups sur la porte ou sur les parois internes).
- Signalez immédiatement au vendeur toute trace de choc ou tout dommage. Ne tentez pas d'utiliser le four si celui-ci est endommagé.
- Retirez tout ce qui se trouve à l'intérieur du four.

- Si le four a été entreposé dans un endroit très froid, attendez quelques heures avant de le brancher.

CAPACITE INTEGREE

Pour obtenir des informations, appelez le :

1-800-688-9900 aux États-Unis

1-800-688-2002 au Canada.

N'OBSTRUEZ PAS LES GRILLES D'AERATION

Veillez à toujours laisser un espace libre autour des grilles d'aération au cours de la cuisson. Dans le cas contraire, le four risquerait de surchauffer. Dans pareille situation, un dispositif de sécurité thermosensible éteint le four automatiquement. Le four ne pourra alors être utilisé qu'après avoir suffisamment refroidi.

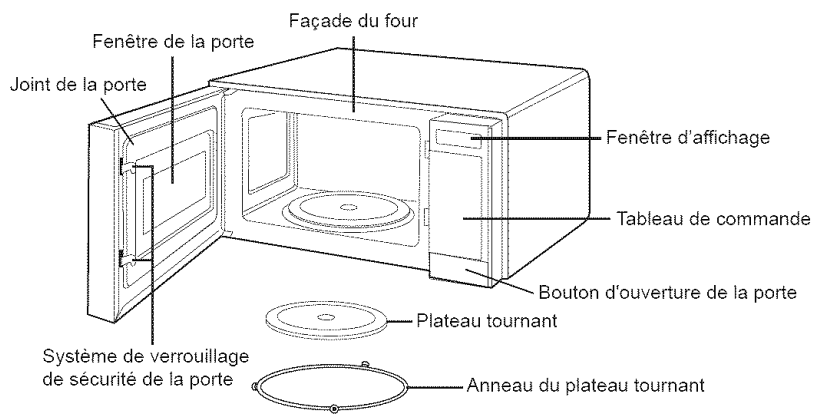
POUR UNE CUISSON OPTIMALE DES ALIMENTS

Pour obtenir les meilleures performances de la part de votre micro-ondes, lisez attentivement et respectez les instructions ci-dessous.

- **Température de stockage :** Les aliments sortis du congélateur ou du réfrigérateur mettent plus longtemps à cuire que les mêmes aliments stockés à température ambiante.
- **Taille :** Les aliments de petite taille cuisent plus rapidement que les gros, les aliments de taille et de forme similaire cuisent de manière uniforme. Pour une cuisson uniforme, réduisez la puissance lorsque vous faites cuire des aliments de grande taille.
- **Humidité naturelle :** La cuisson des aliments contenant beaucoup d'eau est beaucoup plus uniforme car les micro-ondes sont attirées par les molécules d'eau.

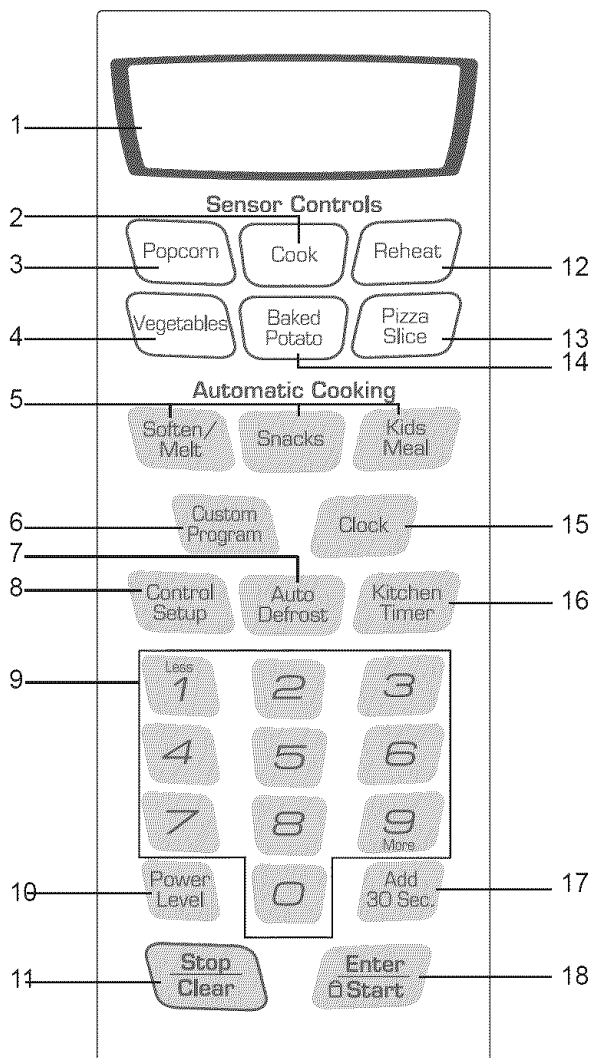
- **Remuez** les aliments tels que les plats mijotés et les légumes du bord vers le centre du récipient afin de répartir au mieux la chaleur et d'accélérer la cuisson. Il n'est pas nécessaire de remuer constamment.
- **Retournez** les aliments tels que les côtelettes de porc, les pommes de terre au four, les rôtis ou les choux-fleurs entiers à la moitié du temps de cuisson afin que tous les côtés soient exposés de manière égale aux micro-ondes.
- **Placez** les parties délicates de certains aliments (comme les pointes d'asperge) au centre du plat.
- **Disposez** les aliments à la forme inégale (comme les morceaux de poulet ou les steaks de saumon) de manière à ce que la partie la plus épaisse se trouve vers l'extérieur du plat.
- **Protégez**, à l'aide de **petits** morceaux de papier aluminium, les parties des aliments pouvant cuire rapidement, comme l'extrémité des ailes ou le filet des volailles.
- **Laissez reposer :** après avoir retiré les aliments du micro-ondes, recouvrez-les avec du papier aluminium ou le couvercle d'une casserole et laissez-les reposer afin de laisser la cuisson se terminer au centre et d'éviter ainsi que les bords ne soient trop cuits. Le temps de repos est fonction de la densité et de la taille des aliments.
- **Enveloppez les aliments suivants dans du papier sulfurisé ou une serviette en papier :** afin d'éviter qu'ils ne se dessèchent, enveloppez les sandwichs et les nombreux autres aliments contenant du pain pré-cuit avant de les passer au micro-ondes.

Fonctions



CARACTERISTIQUES TECHNIQUES DU FOUR

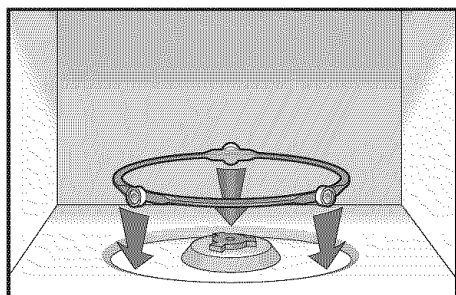
Alimentation	120 VCA, 60 Hz
Alimentation d'entrée	1 550 W
Puissance de cuisson	1 100 W (Norme CEI 60705)
Fréquence	2 450 MHz
Courant nominal	13,5 A
Dimensions extérieures (L x H x P)	601 mm x 336 mm x 462 mm
Volume intérieur	56,6 dm ³
Poids net	20,7 kg



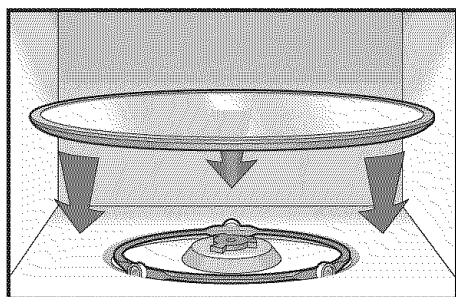
Fonctions

Réglage de votre four micro-ondes

1. Branchez le cordon sur une prise avec mise à la terre. Une fois le four branché, le message suivant s'affiche sur l'écran :
PLEASE TOUCH CLOCK AND SET TIME OF DAY (VEUILLEZ APPUYER SUR LA TOUCHE CLOCK POUR REGLER L'HEURE).
2. Ouvrez la porte du four en tirant la poignée située sur la droite.
3. Nettoyez l'intérieur du four avec un chiffon humide.
4. Placez l'anneau pré-assemblé dans la cavité située au centre du four.



5. Placez le plateau en verre sur l'anneau de sorte que les trois pattes de verre se trouvant au centre du plateau s'ajustent parfaitement dans les emplacements prévus à cet effet dans le plancher du four.



FONCTIONS

1. **ECRAN** : L'écran comporte une horloge et des témoins vous indiquant l'heure, les paramètres du temps de cuisson et les fonctions sélectionnées.
2. **COOK (CUISSON)** : permet de chauffer des boissons, de réchauffer un dîner ou un petit déjeuner congelé ou de faire cuire du blanc de poulet. Le capteur intégré calcule automatiquement la durée de cuisson de chaque aliment en fonction de sa teneur en eau. Reportez-vous à la page 37 pour plus d'informations.
3. **POPCORN (POP-CORN)** : permet de faire du pop-corn. Le capteur intégré permet de calculer automatiquement la durée de cuisson en fonction de la teneur en eau du pop-corn. Reportez-vous à la page 36 pour plus d'informations.
4. **VEGETABLES (LEGUMES)** : permet de faire cuire des légumes frais ou congelés. Le capteur intégré calcule la durée de cuisson en fonction de la teneur en eau des légumes. Reportez-vous à la page 37 pour plus d'informations.
5. **SOFTEN/MELT (RAMOLLIR / FONDRE), SNACKS (EN-CAS), KIDS MEALS (REPAS ENFANTS)** : permet de faire cuire certains aliments spécifiques. Reportez-vous en pages 39, 40 et 41 pour plus d'informations.
6. **CUSTOM PROGRAM (PROGRAMME PERSONNALISE)** : permet de rappeler une instruction de cuisson préalablement programmée. Reportez-vous à la page 34 pour plus d'informations.
7. **AUTO DEFROST (DECONGELATION AUTO)** : permet de décongeler les aliments en fonction de leur poids. Reportez-vous à la page 42 pour plus d'informations.
8. **KITCHEN TIMER (MINUTERIE)** : permet de régler la minuterie. Reportez-vous à la page 33 pour plus d'informations.
9. **TOUCHES NUMEROTEES** : permettent de saisir le temps de cuisson, le niveau de puissance ainsi que la quantité ou le poids des aliments.
10. **POWER LEVEL (NIVEAU DE PUISSANCE)** : permet de sélectionner un niveau de puissance pour la cuisson.
11. **STOP/CLEAR (ARRET / SUPPRIMER)** : permet d'arrêter le four ou de supprimer toutes les entrées saisies.
12. **REHEAT (RECHAUFFER)** : permet de réchauffer des assiettes-repas, des plats mijotés ou des pâtes. Le capteur intégré calcule le temps de réchauffage en fonction de la teneur en eau des aliments. Reportez-vous à la page 37 pour plus d'informations.
13. **PIZZA SLICE (PART DE PIZZA)** : permet de réchauffer une pizza. Le capteur intégré calcule le temps de cuisson en fonction de la teneur en eau qu'il détecte dans les aliments. Reportez-vous à la page 36 pour plus d'informations.
14. **BAKED POTATO (POMMES DE TERRE AU FOUR)** : permet de faire cuire des pommes de terre. Le capteur intégré calcule le temps de cuisson en fonction de la teneur en eau qu'il détecte dans les pommes de terre. Reportez-vous à la page 37 pour plus d'informations.
15. **CLOCK (HORLOGE)** : permet de saisir l'heure. Reportez-vous à la page 33 pour plus d'informations.
16. **CONTROL SETUP (CONFIGURATION)** : permet de modifier les paramètres par défaut du four. Reportez-vous à la page 33 pour plus d'informations.
17. **ADD 30 SEC (AJOUTER 30 S.)** : permet de régler et de démarrer rapidement la cuisson au niveau de puissance maximum. Reportez-vous à la page 33 pour plus d'informations.

REMARQUE :

- La fonction Add 30 sec (Ajouter 30 s.) ne peut pas être utilisée depuis toutes les touches ou en mode AUTO DEFROST (DECONGELATION AUTO).

18. **ENTER/START (ENTREE / DEMARRER)** : permet de lancer une fonction. Si vous ouvrez la porte après le début de la cuisson, refermez la porte et appuyez de nouveau sur **ENTER/START (ENTREE/DEMARRER)**.

Consignes d'utilisation

DECOUVREZ VOTRE MICRO-ONDES

Cette section vous présente les fonctions de base que vous devez connaître avant d'utiliser votre four micro-ondes. Veuillez lire attentivement ces informations avant toute utilisation.

⚠ ATTENTION

Pour éviter tout risque de dommages corporels ou matériels, ne faites jamais fonctionner le four à vide.

Pour éviter tout risque de dommages corporels ou matériels, n'introduisez jamais de pots en grès, de papier aluminium ou d'ustensiles métalliques ou ornés de métal dans le four.

CLOCK (HORLOGE)

Exemple : pour régler 08h00.

Clock

800

Enter
⏏ Start

1
Less

Enter
⏏ Start

1. Appuyez sur la touche **CLOCK (HORLOGE)**.
2. Saisissez l'heure à l'aide des touches numérotées.
3. Appuyez sur la touche **ENTER/START (ENTREE/DEMARRER)**.
4. Appuyez sur 1 pour le matin (AM).
5. Appuyez sur la touche **ENTER/START (ENTREE/DEMARRER)**.

REMARQUE :

- Suivez les étapes 1 à 3 décrites ci-dessus lorsque l'horloge est en mode 24 heures..

KITCHEN TIMER (MINUTERIE)

Votre four micro-ondes peut également servir de minuterie. Vous pouvez régler la minuterie sur 99 minutes et 99 secondes au maximum.

Exemple : pour la régler sur 3 minutes.

Kitchen
Timer

300

Enter
⏏ Start

1. Appuyez sur la touche **KITCHEN TIMER (MINUTERIE)**.
2. Saisissez la durée à l'aide des touches numérotées.
3. Appuyez sur la touche **ENTER/START (ENTREE/DEMARRER)**.

Lorsque la durée est écoulée, un signal sonore retentit et le message **END (FIN)** s'affiche.

CONTROL SETUP (CONFIGURATION)

Vous pouvez modifier les valeurs par défaut.

Consultez le tableau suivant pour plus d'informations.

N° :	Fonction	N° :	Résultat
1	Unité de poids sélectionnée	1 2	Lbs. Kg.
2	Commande son activée/désactivée	1 2	Son activé Son désactivé
3	Commande d'affichage de l'horloge	1 2	12 heures 24 heures
4	Vitesse de défilement	1 2 3	Lente Normale Rapide
5	Signal de rappel de fin	1 2	Activé Désactivé
6	Mode démo	1 2	Activé Désactivé
7	Heure d'été	1 2	Activé Désactivé
8	Langue	1 2	Anglais Espagnol

Exemple : pour changer l'unité de poids (remplacer Lbs. par kg).

Control
Setup

1
Less
2

1. Appuyez sur la touche **CONTROL SETUP (CONFIGURATION)**.
2. Appuyez sur 1.
3. Appuyez sur 2.

CHILD LOCK (SECURITE ENFANTS)

Vous pouvez verrouiller le tableau de commande afin d'éviter que le four ne soit démarré accidentellement ou manipulé par des enfants.

Cette fonction se révèle également très utile lorsque vous nettoyez le tableau de commande. Elle évite en effet que vous ne lanciez accidentellement un programme en passant le chiffon sur les touches.

Exemple : pour activer la sécurité enfants.

Stop
Clear

Enter
⏏ Start

1. Appuyez sur la touche **STOP/CLEAR (ARRET/SUPPRIMER)**.
2. Appuyez sur la touche **ENTER/START (ENTREE/DEMARRER)** et maintenez-la enfoncée pendant plus de 3 secondes. Le message **CHILD LOCK ON (SECURITE ENFANTS ACTIVEE)** s'affiche et deux bips sonores retentissent.

Exemple : pour désactiver la sécurité enfants.

Enter
⏏ Start

Appuyez sur la touche **ENTER/START (ENTREE/DEMARRER)** pendant plus de 3 secondes. Le message **LOCKED (VERROUILLE)** disparaît et deux bips sonores retentissent.

ADD 30 SEC. (AJOUTER 30 S.)

Cette commande simplifiée vous permet de régler et de démarrer rapidement la cuisson sans avoir à appuyer sur la touche **ENTER/START (ENTREE/DEMARRER)**, vous faisant ainsi gagner un temps précieux.

Exemple : Pour régler la fonction **ADD 30 SEC (AJOUTER 30 S.)** pendant 2 minutes.

Add
30 Sec.

Appuyez sur la touche **ADD 30 SEC (AJOUTER 30 S.)** à 4 reprises. La cuisson démarre et l'écran affiche le décompte du temps restant.

Consignes d'utilisation

CUSTOM PROGRAM (PROGRAMME PERSONNALISE)

Le programme personnalisé vous permet de rappeler une instruction de cuisson préalablement enregistrée et de démarrer la cuisson automatiquement.

Exemple : mémoriser une cuisson à 70 % pendant 2 minutes.

Custom Program 1. Appuyez sur la touche **CUSTOM PROGRAM (PROGRAMME PERSONNALISE)**.

200 2. Saisissez le temps de cuisson.

Power Level

3. Appuyez sur la touche **POWER LEVEL (NIVEAU DE PUISSANCE)**.

7

4. Saisissez le niveau de puissance.

Enter Start

5. Appuyez sur la touche **ENTER/ START (ENTREE/DEMARRER)**.

Exemple : pour rappeler le programme personnalisé.

Custom Program 1. Appuyez sur la touche **CUSTOM PROGRAM (PROGRAMME PERSONNALISE)**.

Enter Start 2. Appuyez sur la touche **ENTER/START (ENTREE/DEMARRER)**.

Lorsque le temps de cuisson est écoulé, quatre bips sonores retentissent et le message **END (FIN)** s'affiche.

MORE/LESS (PLUS/MOINS)

A l'aide des touches **MORE (PLUS) (9)** et **LESS (MOINS) (1)**, vous pouvez augmenter ou diminuer tous les temps de cuisson programmés.

9 More

1. Chaque pression sur la touche **MORE (PLUS) (9)** permet d'ajouter 10 s. au temps de cuisson.

1 Less

2. Chaque pression sur la touche **LESS (MOINS) (1)** permet de réduire de 10 s. le temps de cuisson.

CUISSON A UN NIVEAU DE PUISSANCE ELEVE

Exemple : pour cuire des aliments pendant 8 minutes et 30 secondes à pleine puissance.

830

1. Saisissez le temps de cuisson.

Enter Start

2. Appuyez sur la touche **ENTER/ START (ENTREE/DEMARRER)**.

Lorsque le temps de cuisson est écoulé, quatre bips sonores retentissent et le message **END (FIN)** s'affiche.

REMARQUE :

Si le four est programmé pour un temps de cuisson supérieur à 25 minutes, il se réglera automatiquement à 70 pour cent de sa puissance au bout de 25 minutes pour éviter toute surchauffe.

CUISSON A UN NIVEAU DE PUISSANCE FAIBLE

La cuisson à puissance ELEVEE n'apporte pas toujours les meilleurs résultats pour les aliments nécessitant une cuisson plus lente comme les rôtis, les aliments cuits au four ou les crèmes. Outre la fonction **HIGH (ELEVEE)**, votre four dispose de 9 niveaux de puissance.

Exemple : pour cuire des aliments pendant 7 minutes et 30 secondes à 70 % de la puissance.

730

1. Saisissez le temps de cuisson.

Power Level

2. Appuyez sur la touche **POWER LEVEL (NIVEAU DE PUISSANCE)**.

7

3. Saisissez le niveau de puissance.

Enter Start

4. Appuyez sur la touche **ENTER/ START (ENTREE/DEMARRER)**.

Lorsque le temps de cuisson est écoulé, quatre bips sonores retentissent et le message **END (FIN)** s'affiche.

Reportez-vous au guide de cuisson en page 35 pour connaître les niveaux de puissance.

CUISSON A PLUSIEURS CYCLES

Pour un résultat optimal, certaines recettes nécessitent un premier niveau de puissance pendant une durée déterminée, puis un second pendant une autre durée. Vous pouvez régler votre four pour qu'il passe automatiquement d'un cycle à l'autre. Vous pouvez même le régler sur un maximum de trois cycles si le premier est constitué par la décongélation.

Exemple : pour faire cuire des aliments pendant 3 minutes à pleine puissance, puis à 70 % pendant 7 minutes et 30 secondes.

300

Power Level

1. Saisissez le premier temps de cuisson.

2. Appuyez sur la touche **POWER LEVEL (NIVEAU DE PUISSANCE)**.

1 Less 0

3. Saisissez le niveau de puissance.

730

4. Saisissez le second temps de cuisson.

Power Level

5. Appuyez sur la touche **POWER LEVEL (NIVEAU DE PUISSANCE)**.

7

6. Saisissez le niveau de puissance.

Enter Start

7. Appuyez sur la touche **ENTER/ START (ENTREE/DEMARRER)**.

Lorsque le temps de cuisson est écoulé, quatre bips sonores retentissent et le message **END (FIN)** s'affiche.

Consignes d'utilisation

GUIDE DE CUISSON POUR LES NIVEAUX DE PUISSANCE FAIBLES

Les 10 niveaux de puissance vous permettent de choisir le niveau le plus adapté aux aliments que vous cuisinez. Vous trouverez ci-dessous la liste de tous les niveaux de puissance, des exemples d'aliments cuisinés pour chaque niveau et la puissance utilisée.

NIVEAU DE PUISSANCE	RENDEMENT DU MICRO-ONDES	UTILISATION
10 Elevé	100%	Faire bouillir de l'eau. Cuire du boeuf hâché. Faire des bonbons. Cuire des fruits et des légumes frais. Cuisson des poissons et des volailles. Préchauffer un plat brunisseur. Réchauffer des boissons. Cuire des tranches de bacon.
9	90%	Réchauffer rapidement des filets de viande. Faire sauter des oignons, du céleri et des poivrons verts.
8	80%	Réchauffer tout type d'aliments. Cuire des oeufs brouillés.
7	70%	Cuire du pain et des produits céréaliers. Cuire des plats à base de fromage et du veau. Cuire des gâteaux, des muffins, des brownies, des petits gâteaux.
6	60%	Cuire des pâtes.
5	50%	Cuire différentes sortes de viandes et de la volaille entière. Cuire les crèmes. Cuire un poulet entier, une dinde, des côtes levées, des côtes de boeuf, des rôtis de surlonge.
4	40%	Cuire des morceaux de viande moins tendres. Réchauffer des plats préparés surgelés.
3	30%	Décongeler de la viande, de la volaille et des fruits de mer. Cuire des aliments par petites quantités. Finir la cuisson des plats mijotés, des ragoûts et de certaines sauces.
2	20%	Ramollir le beurre et le fromage à la crème. Réchauffer des aliments par petites quantités.
1	10%	Ramollir les crèmes glacées. Faire monter une pâte à beignets.

Consignes d'utilisation

CONSIGNES D'UTILISATION DU CAPTEUR

La cuisson par capteur vous permet de cuire la plupart de vos plats préférés sans avoir à sélectionner de temps de cuisson ni de niveaux de puissance. Pour afficher le temps de détection, faites défiler le nom de l'aliment. Le four calcule automatiquement le temps de cuisson nécessaire pour chaque plat. Lorsque le capteur interne détecte la teneur en eau de l'aliment, il transmet au four le temps de chauffe nécessaire. Le four émet alors un signal sonore avant de s'éteindre ou le temps de chauffe restant s'affiche à l'écran. Pour un résultat de cuisson optimal, veuillez suivre les recommandations suivantes :

1. Les aliments cuits à l'aide du capteur doivent être à une température de conservation normale.
2. Le plateau tournant en verre et les parois externes des récipients doivent être secs pour de meilleurs résultats de cuisson.
3. La plupart des aliments doivent toujours être recouverts de film plastique spécial micro-ondes, de papier sulfurisé ou d'un couvercle. Reportez-vous aux tableaux concernant le capteur en page 38.
4. **N'ouvrez pas** la porte et n'appuyez pas sur la touche **STOP/CLEAR (ARRET/SUPPRIMER)** durant le temps de détection. Une fois le temps de détection écoulé, le four émet un signal sonore et le temps de cuisson restant s'affiche ou le four s'éteint. Vous pouvez alors ouvrir la porte afin de remuer, de retourner ou de redisposer les aliments dans le four.

IMPORTANT :

Laissez le four refroidir pendant 5 minutes lorsque vous utilisez un capteur de cuisson. Le cas contraire entraînerait une mauvaise cuisson des aliments.

GUIDE DE CUISSON PAR CAPTEUR

Pour obtenir de bons résultats de cuisson à l'aide du capteur, nous recommandons l'utilisation de récipients et de couvercles appropriés.

1. Utilisez toujours des récipients pour micro-ondes et recouvrez les d'un couvercle ou d'un film plastique perforé.
2. N'utilisez jamais d'enveloppe plastique avec une fermeture totalement hermétique. Ils empêcheraient la vapeur de s'échapper et risqueraient d'entraîner une surcuisson des aliments.
3. Veillez à adapter la quantité d'aliments en fonction de la taille du récipient. Pour de meilleurs résultats, remplissez les récipients au moins jusqu'à la moitié de leur capacité.
4. Assurez-vous que les surfaces externes du récipient de cuisson et les parois internes du micro-ondes sont sèches avant d'introduire les aliments dans le four. Les traces d'humidité se transformeraient en vapeur, risquant ainsi de fausser les calculs du capteur.

AUGMENTER OU REDUIRE LE TEMPS DE CUISSON

A l'aide des touches **MORE (PLUS) (9)** et **LESS (MOINS) (1)**, vous pouvez augmenter ou réduire tous les temps de cuisson programmés.

POPCORN (POPCORN)

La touche **POPCORN** vous permet de préparer du popcorn spécial micro-ondes emballé et acheté dans le commerce. Ne placez qu'un seul paquet à la fois dans le four. Pour de meilleurs résultats, utilisez des paquets de popcorn frais.

Exemple : pour faire éclater du popcorn

Popcorn Appuyez sur la touche **POPCORN (POPCORN)**.

Une fois le temps de cuisson écoulé, quatre bips sonores retentissent et le message **END (FIN)** s'affiche.

- Quantités recommandées : 85 à 100 g env.

PIZZA SLICE (PART DE PIZZA)

La fonction **PIZZA SLICE (PART DE PIZZA)** vous permet de réchauffer une ou plusieurs parts de pizza sans sélectionner de temps de cuisson ni de niveaux de puissance.

Exemple : pour réchauffer 2 parts de pizza.

Pizza Slice Appuyez sur la touche **PIZZA SLICE (PART DE PIZZA)**.

Une fois le temps de cuisson écoulé, quatre bips sonores retentissent et le message **END (FIN)** s'affiche.

- Quantités recommandées: 1 à 4 parts.
- Une fois le temps de chauffe écoulé, laissez reposer pendant 1 à 3 minutes.

REMARQUE :

Si les aliments ne sont pas assez cuits ou pas assez chauds avec la fonction Capteur, terminez la cuisson en sélectionnant le niveau de puissance et le temps de cuisson de votre choix.

DESACTIVEZ la fonction Capteur.

Consignes d'utilisation

BAKED POTATO (POMME DE TERRE AU FOUR)

La touche BAKED POTATO (POMME DE TERRE AU FOUR) vous permet de cuire une ou plusieurs pommes de terre sans sélectionner ni temps de cuisson ni niveau de puissance.

REMARQUES :

- Avant de les mettre au four, piquez les pommes de terre plusieurs fois à l'aide d'une fourchette.
- Après la cuisson, laissez reposer pendant 5 minutes.

Exemple : Pour faire cuire 2 pommes de terre.

Baked Potato Appuyez sur la touche **BAKED POTATO (POMME DE TERRE AU FOUR)**.

Une fois le temps de cuisson écoulé, quatre bips sonores retentissent et le message **END (FIN)** s'affiche.

- Quantités recommandées : 1 à 6 pommes de terre.
- Laissez reposer pendant 5 minutes.

IMPORTANT :

Laissez le four refroidir pendant 5 minutes lorsque vous utilisez un capteur de cuisson. Le cas contraire entraînerait une mauvaise cuisson des aliments.

VEGETABLES (LEGUMES)

La fonction VEGETABLES (LEGUMES) propose deux niveaux de puissance préprogrammés spécialement adaptés aux 2 catégories d'aliments suivantes : **les aliments frais et les aliments surgelés**.

Exemple : pour faire cuire des légumes surgelés.

Vegetables 1. Appuyez sur la touche **VEGETABLES (LEGUMES)**.

2. Sélectionnez la catégorie d'aliments.

Catégorie	N° de la touche
Légumes frais	1
Légumes surgelés	2

Une fois le temps de cuisson écoulé, quatre bips sonores retentissent et le message **END (FIN)** s'affiche.

- Quantités recommandées: 1 à 4 portions.

COOK (CUISSON)

La fonction COOK (CUISSON) vous permet de réchauffer des aliments courants prévus pour être cuisinés au micro-ondes sans avoir à programmer de temps de cuisson ou de niveaux de puissance. La fonction COOK (CUISSON) propose des temps de cuisson et des niveaux de puissance programmés spécialement adaptés aux 4 types d'aliments suivants :

Boissons, dîners surgelés, Petit-déjeuner surgelé, blanc de poulet.

Exemple : Pour faire cuire un petit déjeuner surgelé.

Cook 1. Appuyez sur la touche **COOK (CUISSON)**
3 2. Sélectionnez la catégorie d'aliments.

Catégorie	N° de la touche
Boissons	1
Dîner surgelé	2
Petit-déjeuner surgelé	3
Blanc de poulet	4

Une fois le temps de cuisson écoulé, quatre bips sonores retentissent et le message **END (FIN)** s'affiche.

Quantités recommandées:

Boissons	230 à 280 g env.
Dîner surgelé	230 à 400 g env.
Petit-déjeuner surgelé	110 à 230 g env.
Blanc de poulet	230 à 680 g env.

- Une fois la cuisson terminée, laissez reposer pendant 1 à 3 minutes.

REHEAT (RECHAUFFER)

La fonction REHEAT (RECHAUFFER) vous permet de réchauffer des aliments sans avoir à programmer de temps de cuisson ni de niveaux de puissance. La fonction REHEAT (RECHAUFFER) propose des temps de cuisson et des niveaux de puissance programmés spécialement adaptés aux 3 catégories d'aliments suivantes : **Assiettes-repas, plats mijotés et pâtes**.

Exemple : pour réchauffer un plat mijoté.

Reheat 1. Appuyez sur la touche **REHEAT (RECHAUFFER)**.
2. Sélectionnez la catégorie d'aliments.

Catégorie	N° de la touche
Assiette-repas	1
Plat mijoté	2
Pâtes	3

Une fois le temps de cuisson écoulé, quatre bips sonores retentissent et le message **END (FIN)** s'affiche.

Quantités recommandées :

Assiette-repas	1 portion
Plat mijoté	1 à 4 portions
Pâtes	1 à 4 portions

- Une fois le temps de chauffe écoulé, laissez reposer pendant 1 à 3 minutes.

REMARQUE :

Si les aliments ne sont pas assez cuits ou pas assez chauds avec la fonction Capteur, terminez la cuisson en sélectionnant le niveau de puissance et le temps de cuisson de votre choix.

DESACTIVEZ la fonction Capteur.

Consignes d'utilisation

TABLEAU DE CUISSON AVEC CAPTEUR

CATÉGORIE		INSTRUCTIONS	QUANTITÉ
Popcorn		N'introduisez qu'un seul paquet de popcorn spécial micro-ondes à la fois. Soyez prudent lorsque vous retirez le sachet du four et que vous l'ouvrez. Laissez le four refroidir pendant au moins 5 minutes avant toute nouvelle utilisation.	85 à 100 g 1 paquet
Pomme de terre au four		Piquez chaque pomme de terre plusieurs fois à l'aide d'une fourchette. Disposez-les de manière uniforme sur le plateau. Retournez les aliments lorsqu'un signal sonore retentit. Laissez reposer pendant 3 à 5 minutes. Laissez le four refroidir pendant au moins 5 minutes avant toute nouvelle utilisation. Utilisez la touche MORE (PLUS) lorsque vous cuisinez de grosses pommes de terre.	1 à 6 pommes de terre
Part de pizza		Disposez 1 à 3 parts de pizza, pointes vers le centre, sur un plat allant au micro-ondes. Veillez à ce que les parts ne se chevauchent pas. Ne les couvrez pas. Laissez le four refroidir pendant au moins 5 minutes avant toute nouvelle utilisation. Appuyez sur la touche MORE (PLUS) pour augmenter le temps de chauffe si la pizza est épaisse.	1 à 4 parts
LEGUMES	Légumes frais	Mettez les légumes frais dans un plat en plastique, en verre ou en céramique allant au micro-ondes et ajoutez 2 à 4 cuillères à soupe d'eau. Couvrez le tout d'un couvercle ou d'un film plastique perforé avant de procéder à la cuisson, puis remuez avant de laisser reposer. Laissez le four refroidir pendant au moins 5 minutes avant toute nouvelle utilisation. Utilisez la touche MORE (PLUS) lorsque vous cuisinez des légumes plus denses comme les carottes ou les brocolis.	1 à 4 portions
	Légumes surgelés	Mettez les légumes surgelés dans un plat en plastique, en verre ou en céramique allant au micro-ondes et ajoutez 2 à 4 cuillères à soupe d'eau. Couvrez le tout d'un couvercle ou d'un film plastique perforé durant la cuisson, puis remuez avant de laisser reposer. Laissez le four refroidir pendant au moins 5 minutes avant toute nouvelle utilisation. Utilisez la touche MORE (PLUS) lorsque vous cuisinez des légumes plus denses comme les carottes ou les brocolis.	1 à 4 portions
CUISSON	Boissons	Versez le liquide dans une tasse graduée ou un verre mesureur et ne couvrez pas. Placez la boisson dans le four. Une fois le temps de chauffe écoulé, remuez bien. Laissez le four refroidir pendant au moins 5 minutes avant toute nouvelle utilisation.	230 à 285 g
	Dîner surgelé	Retirez l'aliment de son emballage et suivez les instructions figurant sur ce dernier pour connaître le temps de repos et la méthode de couverture du plat. Laissez le four refroidir pendant au moins 5 minutes avant toute nouvelle utilisation.	230 à 400 g env.
	Petit-déjeuner Surgelé	Suivez les instructions figurant sur l'emballage pour connaître la méthode de couverture et le temps de repos. Utilisez cette touche pour cuire les sandwichs et les petits-déjeuners surgelés, etc. Laissez le four refroidir pendant au moins 5 minutes avant toute nouvelle utilisation.	115 à 230 genv.
	Blanc de poulet	Disposez les blancs de poulet dans un plat allant au micro-ondes et couvrez le tout d'un film plastique. Faites cuire à une température de 76 °C. Laissez reposer pendant 5 minutes. Utilisez la touche MORE (PLUS) pour augmenter le temps de cuisson si les blancs de poulet sont de belle taille.	230 à 680 genv.

TABLEAU DE CHAUFFE PAR CAPTEUR

CATÉGORIE		INSTRUCTIONS	QUANTITÉ
Assiette repas		Utilisez uniquement des aliments précuits et conservés au frais. Couvrez le plat avec un film plastique perforé ou du papier sulfurisé que vous prendrez soin de replier sous le plat. Si, après avoir été réchauffé à l'aide de la fonction SENSOR REHEAT (RECHAUFFEMENT PAR CAPTEUR), le plat n'est pas assez chaud à votre goût, poursuivez la cuisson en programmant le temps de chauffe et le niveau de puissance de votre choix. Contenu de l'assiette : - 85 à 115 g de viande, de volaille ou de poisson (jusqu'à 170 g, os/arêtes compris) - 1/2 tasse de féculents (pommes de terre, pâtes, riz, etc.) - 1/2 tasse de légumes (85 à 115 g env.)	1 portion (1 assiette)
Plat mijoté		Couvrez l'assiette d'un couvercle ou d'un film plastique perforé. Si, après avoir été réchauffé à l'aide de la fonction SENSOR REHEAT (RECHAUFFEMENT PAR CAPTEUR), le plat n'est pas assez chaud à votre goût, poursuivez la cuisson en programmant le temps de chauffe et le niveau de puissance de votre choix. Remuez avant de servir.	1 à 4 portions
Pâtes		Contenu : - Plats mijotés conservés au frais. - Spaghettis et raviolis en conserves, aliments conservés au frais.	

REMARQUES :

- La température souhaitée des aliments varie d'une personne à l'autre.
- Utilisez les touches **More/Less (Plus/Moins)** pour régler la température de votre choix.
- Laissez les aliments reposer pendant 3 à 5 minutes avant de servir.

REMARQUE :

Si les aliments ne sont pas assez cuits ou pas assez chauds avec la fonction Capteur, terminez la cuisson en sélectionnant le niveau de puissance et le temps de cuisson de votre choix.
DESACTIVEZ la fonction Capteur.

Consignes d'utilisation

RAMOLLIR/FONDRE

La fonction RAMOLLIR/FONDRE vous permet de faire ramollir ou fondre les 3 catégories d'aliments suivantes : **Faire fondre du chocolat, faire ramollir du fromage à la crème et faire fondre du beurre.**

Exemple : pour faire fondre du chocolat.

Soften /
Melt

1
Less

Enter
Start

1. Appuyez sur la touche **SOFTEN/MELT (FAIRE RAMOLLIR/FONDRE)**.

2. Sélectionnez la catégorie d'aliments (1 à 3).

3. Appuyez sur la touche **ENTER/START (ENTREE/DEMARRER)**.

Catégorie	N° de la touche
Faire fondre du chocolat	1
Faire ramollir du fromage à la crème	2
Faire fondre du beurre	3

TABLEAU FAIRE RAMOLLIR/FONDRE

Aliment	Quantité ou portions	Remarques
Faire fondre du chocolat	2 carrés ou 1 tasse de pépites de chocolat	<ul style="list-style-type: none">• Mettez les pépites ou les carrés de chocolat dans un plat allant au micro-ondes.• Remuez bien à mi-cuisson lorsque le four émet un signal sonore, puis redémarrez le four.• S'il n'est pas remué, le chocolat conserve sa forme originale, même une fois le temps de chauffe écoulé.
Ramollir du fromage à la crème	1 boîte (230 g env.)	<ul style="list-style-type: none">• Retirez le fromage à la crème de son emballage et placez le sur un plat allant au micro-ondes.• Laissez reposer pendant 1 à 2 minutes.
Faire fondre du beurre	1 plaquette (115 g env.)	<ul style="list-style-type: none">• Retirez le beurre de son emballage et coupez-le en deux parties égales dans le sens de la largeur.
	2 plaquettes (130 g env.)	<ul style="list-style-type: none">• Placez le beurre dans un plat et couvrez le tout de papier sulfurisé.• Remuez bien une fois le beurre fondu et laissez reposer pendant 1 à 2 minutes.

Consignes d'utilisation

REPAS ENFANTS

La fonction KIDS MEALS (REPAS ENFANTS) vous permet de faire réchauffer les 4 catégories d'aliments suivantes : **Beignets de poulet, Hot-dogs, frites et sandwichs surgelés.**

Exemple : pour faire cuire un sandwich surgelé.

Kids
Meals
4
Enter
Start

1. Appuyez sur la touche **KIDS MEALS (REPAS ENFANTS)**
2. Sélectionnez la catégorie d'aliments (1 à 4).
3. Appuyez sur la touche **ENTER/START (ENTREE/DEMARRER)**.

Catégorie	N° de la touche
Beignets de poulet	1
Hot-Dogs	2
Frites	3
Sandwiches congelés	4

TABLEAU DES REPAS ENFANTS

Aliment	Quantité ou portions	Remarques
Beignets de poulet congelés	1 portion (113 à 142 g.) 2 portions (170 à 200 g.)	<ul style="list-style-type: none">• Mettez une serviette en papier sur l'assiette et placez les aliments en cercle sur la serviette en papier.• Ne couvrez pas. Laissez reposer 1 minute.
Hot-Dogs	2 4	<ul style="list-style-type: none">• Piquez les hot-dogs, posez-les sur une assiette. Quand le four émet un signal sonore, ajoutez les petits pains ronds et redémarrez la cuisson.
Frites	1 portion (113 à 142 g.) 2 portions (170 à 200 g.)	<ul style="list-style-type: none">• Mettez 2 serviettes en papier sur une assiette puis étalez les frites sur les serviettes sans qu'elles se chevauchent.• Après les avoir enlevées du four, séchez-les avec une autre serviette en papier.
Sandwiches congelés	1 2	<ul style="list-style-type: none">• Mettez le sandwich congelé dans son emballage (qui se trouve dans le paquet) et posez-le sur une assiette.

Consignes d'utilisation

SNACKS (EN-CAS)

SNACKS (EN-CAS) vous permet de réchauffer 4 catégories d'aliments : **des nachos, des ailes de poulet, des pommes de terre farcies et des bâtonnets de fromage.**

Exemple : Pour faire cuire des ailes de poulet.

Snacks

2

Enter
Start

1. Appuyez sur la touche **SNACKS (EN-CAS)**.
2. Sélectionnez la catégorie d'aliments (1 à 4).
3. Choisir la taille de la portion.
(Ailes de poulet, Pommes de terre farcies, Bâtonnets de fromage)
4. Appuyez sur la touche **ENTER/START** (ENTREE/DEMARRER).

Catégorie	N° de la touche
Nachos	1
Ailes de poulet	2
Pommes de terre farcies	3
Bâtonnets de fromage	4

TABLEAU DES EN-CAS

Aliment	Quantité ou portions	Remarques
Nachos	1 portion	<ul style="list-style-type: none">• Posez les tortillas sur une assiette sans qu'elles se chevauchent.• Saupoudrez d'une couche uniforme de fromage.• Contient :<ul style="list-style-type: none">- 2 tasses de tortillas- 1/3 de tasse de fromage râpé
Ailes de poulet	142 à 170 g. 200 à 226 g.	<ul style="list-style-type: none">• Utilisez des ailes de poulet précuites et conservées au frais.• Répartissez les ailes de poulet régulièrement sur un plat et recouvrez-les de papier sulfurisé.• Appuyez sur la touche '1' ou '2' sélectionner la quantité.
Pommes de terre farcies	1 pomme de terre cuite 2 pommes de terre cuites	<ul style="list-style-type: none">• Coupez la pomme de terre cuite en 4 morceaux de taille égale. Evidez la pomme de terre en laissant une épaisseur d'environ 6 mm.• Répartissez régulièrement les pommes de terre évidées sur une assiette.• Saupoudrez de lard, d'oignons et de fromage. Ne couvrez pas.• Appuyez sur la touche '1' ou '2' sélectionner la quantité.
Bâtonnets de fromage	5 à 6 morceaux 7 à 10 morceaux	<ul style="list-style-type: none">• Répartissez régulièrement les bâtonnets de fromage sur une assiette.• Ne couvrez pas.• Appuyez sur la touche '1' ou '2' sélectionner la quantité.

Consignes d'utilisation

AUTO DEFROST (DECONGELATION AUTOMATIQUE)

Le four propose plusieurs fonctions de décongélation. La fonction Décongélation est la meilleure façon de décongeler vos aliments car le four programme automatiquement le temps de décongélation à partir du poids de l'aliment que vous avez saisi. La fonction AUTO DEFROST (DECONGELATION AUTOMATIQUE) comprend l'émission de signaux sonores pour vous rappeler de vérifier ou de retourner les aliments pendant la phase de décongélation.

Après avoir enclenché la touche **AUTO DEFROST (DECONGELATION AUTOMATIQUE)** une fois, sélectionnez le poids de l'aliment. La gamme de poids disponible est comprise entre 0,05 et 2,7 kgs.

Exemple : Pour décongeler 550 g de viande :

Auto Defrost

1. Appuyez sur la touche **AUTO DEFROST (DECONGELATION AUTOMATIQUE)**.

1 Less 2

2. Saisissez le poids.

Enter Start

3. Appuyez sur la touche **ENTER / START (ENTREE/DEMARRER)**.

REMARQUES :

- Appuyez sur la touche **ENTER/START (ENTREE/DEMARRER)** : la durée de décongélation restante s'affiche. Le four émet un signal sonore à deux reprises durant la phase de décongélation. Ouvrez alors la porte et retournez les aliments si nécessaire. Retirez les morceaux décongelés, retournez les morceaux encore congelés puis appuyez sur la touche **ENTER/START (ÊTRE/DEMARRER)** pour reprendre la décongélation.
- Le four émet un nouveau signal sonore pour vous rappeler de vérifier ou de retourner les aliments.

GUIDE DE DECONGELATION

Suivez les instructions ci-dessous lorsque vous décongelez différents types d'aliments.

Aliment	Quantité standard	Procédure
Rôti de boeuf, Porc	1,1 à 2,7 kg	Commencez par placer la viande du côté où se trouve le plus de graisse vers le bas. Après chaque phase de décongélation, retournez la viande, recouvrez les morceaux décongelés de petites bandes de papier aluminium. Couvrez et laissez reposer pendant 15 à 30 minutes.
Biftecks, côtelettes, Poisson	225 g à 1,3 kg.	Après chaque phase de décongélation, redispensez les aliments. Dès que certains morceaux sont chauds ou décongelés, recouvrez-les de petites bandes de papier aluminium. Remuez tous les morceaux qui sont presque décongelés. Couvrez et laissez reposer pendant 5 à 10 minutes.
Viande Hachée	225 g à 1,3 kg.	Après chaque phase de décongélation, retirez tous les morceaux qui sont presque décongelés. Couvrez d'une feuille de papier aluminium et laissez reposer pendant 5 à 10 minutes.
Poulet entier	1,3 à 2,7 kg	Enlevez les abats avant de congeler la volaille. Posez le poulet poitrine en bas puis commencez la décongélation. Après la première phase de décongélation, retournez le poulet et recouvrez toutes les parties chaudes de petites bandes de papier aluminium. Après la seconde phase, faites de même. Couvrez et laissez reposer pendant 30 à 60 minutes au réfrigérateur.
Morceaux de poulet	225 g à 1,3 kg.	Après chaque phase, redispensez ou retirez toutes les parties qui sont presque décongelées. Laissez reposer pendant 10 à 20 minutes.

ASTUCES DE DECONGELATION

- Lorsque vous utilisez la fonction AUTO DEFROST (DECONGELATION AUTOMATIQUE), le poids à indiquer est le poids net en kilogrammes et en dizaines de kilogrammes (le poids de l'aliment moins celui du récipient).
- Utilisez AUTO DEFROST (DECONGELATION AUTOMATIQUE) uniquement pour des aliments crus. AUTO DEFROST (DECONGELATION AUTOMATIQUE) donne de meilleurs résultats si les aliments à décongeler sont au minimum à -17 °C (retiré directement du congélateur). Si l'aliment a été conservé dans un réfrigérateur-congélateur à une température n'excédant pas -15°C, programmez toujours un poids inférieur (pour un temps de décongélation plus court) afin d'éviter de cuire l'aliment.
- Si l'aliment a été conservé hors du congélateur pendant 20 minutes, saisissez également un poids inférieur.
- La forme de l'emballage modifie le temps de décongélation. Les blocs rectangulaires et de faible hauteur décongelent plus rapidement qu'un bloc plus épais.
- Peu après le début de la décongélation, séparez les morceaux. Des morceaux séparés se décongelent plus facilement.
- Recouvrez les parties de l'aliment décongelées de petites bandes de papier aluminium.
- Vous pouvez recouvrir des aliments tels que les ailes de poulet, les cuisses et les queues de poisson de petites bandes d'aluminium. Toutefois, ces dernières ne doivent en aucun cas entrer en contact avec la paroi du four. Cela risquerait de provoquer des arcs électriques qui peuvent endommager le revêtement du four.
- Couvrez les aliments et laissez reposer pendant 15 à 30 minutes.
- Laissez les rôtis ou le poulet entier reposer pendant 30 à 60 minutes.

Consignes d'utilisation

GUIDE DE CUISSON

Guide de cuisson de la viande dans votre micro-ondes

- Placez la viande sur une grille à rôtir transparente aux micro-ondes, dans un plat allant au micro-ondes.
- Lancez la cuisson en plaçant la viande côté gras vers le bas. Recouvrez les os ou les parties comportant peu de chair de petites bandes de papier aluminium.
- Vérifiez la température à différents endroits avant de laisser la viande reposer le temps recommandé.
- Les températures suivantes sont les températures de retrait. La température des aliments augmente durant le temps de repos.

Aliment	Temps de cuisson	Niveau de puissance	Consignes
Rôti de boeuf sans os (jusqu'à 2 kg)	8 à 12 min pour 500 g à 63°C (Saignant)	Elevé (10) durant les 5 premières minutes, puis moyen (5)	Placez la viande, côté gras vers le bas, sur la grille à rôtir. Couvrez de papier sulfurisé. Retournez à mi-cuisson. Laissez reposer 10 minutes.
	9 à 13 min pour 500 g à 71-75 °C (À point)		
	10 à 15 min pour 500 g à 77-75 °C (Bien cuit)		
Porc sans os ou avec os (jusqu'à 2 kg)	12 à 16 min pour 500 g à 70-75 °C (Bien cuit)	Elevé (10) durant les 5 premières minutes, puis moyen (5)	Placez la viande, côté gras vers le bas, sur la grille à rôtir. Couvrez de papier sulfurisé. Retournez à mi-cuisson. Laissez reposer 10 minutes.

- Une augmentation de 10°C peut se produire durant le temps de repos.

Aliment		Retrait du four	Après repos (10 min)
Boeuf	Saignant	135 F (57°C)	145°F (62 °C)
	A point	150°F (65 °C)	160°F (71 °C)
	Bien cuit	160°F (61 °C)	170 F (76°C)
Porc	A point	150°F (65 °C)	160°F (71 °C)
	Bien cuit	160°F (71 °C)	170°F (76 °C)
Volaille	Viande noire	170°F (76 °C)	180°F (82 °C)
	Viande blanche	160°F (71 °C)	170°F (76 °C)

Guide de cuisson de la volaille dans votre micro-ondes

- Placez la volaille sur une grille à rôtir transparente aux micro-ondes, dans un plat allant au micro-ondes.
- Recouvrez la volaille de papier sulfurisé pour éviter les éclaboussures.
- Recouvrez les os, les parties comportant peu de chair ou les zones trop cuites de petites bandes d'aluminium.
- Vérifiez la température à différents endroits avant de laisser la volaille reposer le temps recommandé.

Aliment	Temps de cuisson/niveau de puissance	Consignes
Poulet entier jusqu'à 2 kg	Temps de cuisson : 7 à 10 min. pour 500 g. 180°F (82°C) viande noire 170°F (76 °C) viande blanche Niveau de puissance : Moyen - Elevé (7)	Placez le poulet, côté poitrine vers le bas, sur la grille à rôtir. Couvrez de papier sulfurisé. Retournez à mi-cuisson. Cuisez jusqu'à ce que le jus s'écoulant du poulet soit clair et que la chair autour des os ne soit plus rosée. Laissez reposer 5 à 10 minutes.
Morceaux de poulet jusqu'à 900 g	Temps de cuisson : 7 à 10 min. pour 500 g. 180°F (82°C) viande noire 170°F (76 °C) viande blanche Niveau de puissance : Moyen - Elevé (7)	Placez le poulet dans un plat, côté os orienté vers le bas et le côté le plus épais orienté vers le haut. Couvrez de papier sulfurisé. Retournez à mi-cuisson. Cuisez jusqu'à ce que le jus s'écoulant du poulet soit clair et que la chair autour des os ne soit plus rosée. Laissez reposer 5 à 10 minutes.

Consignes d'utilisation

Guide de cuisson des fruits de mer dans votre micro-ondes

- Cuisez le poisson jusqu'à ce qu'il s'émiette facilement à la fourchette.
- Placez le poisson sur une grille à rôtir transparente aux micro-ondes, dans un plat allant au micro-ondes.
- Utilisez un couvercle hermétique pour cuire le poisson à l'étuvée. L'utilisation de papier sulfurisé ou d'une serviette en papier comme couvercle produit moins de vapeur.
- Ne faites pas trop cuire le poisson et vérifiez sa cuisson une fois le temps minimum écoulé.

Aliment	Temps de cuisson/niveau de puissance	Consignes
Biftecks jusqu'à 700 g	Temps de cuisson : 7 à 11 min. pour 500 g Niveau de puissance : Moyen - Élevé (7)	Placez les biftecks sur la grille à rôtir, côté chair orienté vers l'extérieur de la grille. Couvrez de papier sulfurisé. Retournez et redispensez à mi-cuisson. Cuisez le poisson jusqu'à ce qu'il s'émiette facilement à la fourchette. Laissez reposer pendant 3 à 5 minutes.
Filets jusqu'à 700 g	Temps de cuisson : 4 à 8 min. pour 500 g Niveau de puissance : moyen - élevé (7)	Placez les filets dans un plat en prenant soin de disposer les morceaux les plus fins dans le fond. Couvrez de papier sulfurisé. S'ils mesurent plus de 1,3 centimètre d'épaisseur, retournez-les et redispensez-les à mi-cuisson. Cuisez le poisson jusqu'à ce qu'il s'émiette facilement à la fourchette. Laissez reposer pendant 2 à 3 minutes.
Crevettes jusqu'à 700 g	Temps de cuisson : 4-6 ½ min. pour 500 g Niveau de puissance : moyen - élevé (7)	Répartissez les crevettes dans un plat de manière à éviter qu'elles ne se chevauchent. Couvrez de papier sulfurisé. Cuisez-les jusqu'à ce qu'elles soient fermes et opaques, tout en remuant 2 à 3 fois en cours de cuisson. Laissez reposer 5 minutes.

Guide de cuisson des oeufs dans votre micro-ondes

- **Ne faites jamais** cuire les oeufs dans leur coquille et **ne faites jamais** réchauffer des oeufs durs dans leur coquille car ils risqueraient d'exploser.
- Percez toujours les oeufs entiers pour éviter qu'ils n'éclatent.
- Cuisez les oeufs juste à point. Ils deviennent durs lorsqu'ils sont trop cuits.

Guide de cuisson des légumes dans votre micro-ondes

- Les légumes doivent être lavés juste avant la cuisson. Il est souvent inutile d'ajouter de l'eau. Pour la cuisson de légumes très denses comme les pommes de terre, les carottes et les haricots verts, ajoutez environ ¼ de verre d'eau.
- Les petits légumes (rondelles de carottes, petits pois, haricots du Cap, etc.) cuisent plus vite que les plus gros.
- Les légumes entiers, comme les pommes de terre, la courge poivrée ou les épis de maïs, doivent être placés en cercle sur le plateau tournant avant la cuisson. Ils cuiront de manière plus uniforme si vous les retournez à mi-cuisson.
- Dirigez toujours les tiges des légumes, comme celles des asperges et des brocolis, vers les bords du plat et les pointes vers le centre.
- Lorsque vous cuisez des légumes coupés en morceaux, recouvrez toujours le plat d'un couvercle ou d'un film plastique perforé adapté à la cuisson au micro-ondes.
- Percez la peau des légumes entiers, non pelés, tels que les pommes de terre, les courges, les aubergines, etc. avant la cuisson afin d'éviter qu'ils n'éclatent.
- Pour une cuisson plus uniforme, remuez les légumes entiers ou redispensez-les à mi-cuisson.
- Généralement, plus l'aliment est dense, plus le temps de repos est long. (le temps de repos correspond au temps nécessaire aux aliments denses, aux aliments volumineux et aux légumes pour terminer leur cuisson une fois sortis du four). Une pomme de terre au four doit reposer pendant cinq minutes avant que sa cuisson ne soit terminée, alors qu'un plat de petits pois peut être servi immédiatement.

Entretien et nettoyage

ENTRETIEN ET NETTOYAGE

Pour un fonctionnement optimum et dans un souci de sécurité, gardez l'intérieur et l'extérieur du four propres. Veillez à ce que la partie intérieure de la porte du four et le cadre avant ne contiennent pas de traces d'aliments ou de graisse incrustées. N'utilisez jamais de poudre ou de tampons à récurer. Nettoyez l'intérieur et l'extérieur du four, y compris le couvercle inférieur de la hotte, à l'aide d'un chiffon doux et d'un détergent doux et tiède (non chaud). Rincez et essuyez. Utilisez un nettoyant pour chrome et frottez les surfaces en chrome, métal et aluminium. Nettoyez immédiatement les éclaboussures à l'aide d'une serviette en papier humide, en particulier après la cuisson de poulet ou de lard. Nettoyez votre four toutes les semaines ou plus fréquemment si nécessaire.

Suivez ces consignes pour nettoyer et entretenir votre four.

- Maintenez l'intérieur du four propre. Des particules d'aliments et des éclaboussures de liquides peuvent se coller aux parois du four, amoindrissant l'efficacité du four.
- Essuyez immédiatement les éclaboussures. Utilisez un chiffon humide et un nettoyant doux. N'utilisez pas de détergents ou d'abrasifs puissants.
- Pour décoller les particules d'aliments ou de liquides incrustées, faites chauffer une tasse d'une capacité de quatre tasses à moitié remplie (additionnée de jus de citron pour désodoriser le four) à une puissance élevée ou jusqu'à ébullition. Laissez reposer dans le four pendant une à deux minutes.
- Retirez le plateau en verre du four lorsque vous nettoyez le four ou le plateau. Pour ne pas briser le plateau, manipulez-le avec précaution et ne le plongez pas dans l'eau immédiatement après la cuisson. Lavez le plateau avec précaution dans de l'eau savonneuse ou au lave-vaisselle.
- Nettoyez la surface externe du four à l'aide de savon et d'un chiffon humide. Séchez-la à l'aide d'un chiffon doux. Pour ne pas endommager votre four, ne laissez pas d'eau s'infiltrer dans les ouvertures.
- Nettoyez la fenêtre de la porte à l'aide d'eau et de savon très doux. Veillez à utiliser un chiffon doux pour éviter les rayures.
- Si de la condensation s'accumule à l'intérieur ou à l'extérieur de la porte du four, essuyez-la à l'aide d'un chiffon doux. Ce phénomène peut se produire lorsque vous utilisez beaucoup d'eau. Cela n'indique en rien la présence d'une fuite dans le micro-ondes.
- Ne faites jamais fonctionner le four à vide, cela pourrait endommager le magnétron ou le plateau en verre. Vous pouvez laisser un verre d'eau dans le four lorsqu'il n'est pas utilisé pour éviter tout dommage au cas où il serait mis en marche accidentellement.

Ustensiles de cuisine

Utilisation recommandée

- **Bols et plats en verre et en vitrocéramique** — Utilisez-les pour chauffer ou cuire des aliments.
- **Plat brunisseur pour micro-ondes** — Utilisez-le pour dorer les petits aliments comme les biftecks, les côtelettes ou les crêpes. Suivez les instructions fournies avec votre plat brunisseur.
- **Film en plastique pour cuisson au micro-ondes** — Utilisez-le pour retenir la vapeur. Ménagez une petite ouverture pour permettre à un peu de vapeur de s'échapper et évitez de le placer directement sur les aliments.
- **Papier sulfurisé** — Utilisez-le comme couvercle pour éviter les éclaboussures.
- **Essuie-tout et serviettes en papier** — Utilisez-les pour réchauffer des aliments pendant un court laps de temps et pour les couvrir. Ils absorbent l'excédent d'humidité et évitent les éclaboussures. N'utilisez pas de serviettes en papier recyclé car elles peuvent contenir des particules métalliques et prendre feu.
- **Assiettes et tasses en carton** — Utilisez-les pour réchauffer des aliments pendant un bref laps de temps à basse température. N'utilisez pas de carton recyclé car il peut contenir des particules métalliques et prendre feu.
- **Thermomètres** — N'utilisez que ceux étiquetés " Transparents aux micro-ondes " et suivez toutes les instructions. Vérifiez les aliments à différents endroits. Les thermomètres classiques peuvent être utilisés une fois les aliments retirés du four.

Utilisation limitée

- **Papier aluminium** — Utilisez de minces bandes de papier pour éviter que les zones exposées ne soient trop cuites. Le papier ne doit pas dépasser 2,5 à 5 cm de longueur et 2,5 cm de largeur. Une utilisation excessive de papier aluminium risque d'endommager votre four, soyez donc prudent.
- **Ustensiles en céramique, porcelaine et grès** — Utilisez-les uniquement s'ils sont étiquetés " Transparents aux micro-ondes " S'ils ne comportent pas cette étiquette, effectuez un essai pour vous assurer qu'ils peuvent être utilisés sans danger. N'utilisez jamais de plat comportant un ornement métallique.
- **Ustensiles en plastique** — Utilisez-les uniquement s'ils comportent l'étiquette " Transparent aux micro-ondes ". Les autres types de plastiques risquent de fondre.
- **Ustensiles en paille, osier et bois** — Utilisez-les uniquement pour réchauffer des aliments pendant un laps de temps très court car ils risquent de s'enflammer.

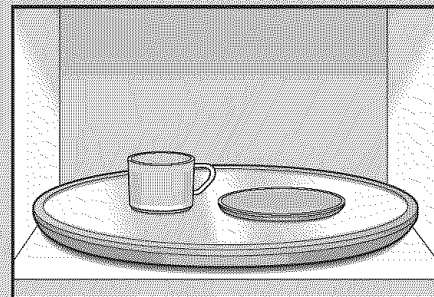
Non recommandé

- **Récipients et bouteilles en verre** — Le verre ordinaire est trop fin pour pouvoir être utilisé dans un micro-ondes et risque de se casser.
- **Sacs en papier** — Ils risquent de prendre feu, hormis les sacs pour popcorn spécialement conçus pour une utilisation au micro-ondes.
- **Assiettes et tasses en mousse de polystyrène** — Elles risquent de fondre et de laisser un résidu toxique sur les aliments.
- **Emballages et récipients pour aliments en plastique** — Les récipients comme les boîtes de margarine risquent de fondre dans le micro-ondes.
- **Ustensiles métalliques** — Ils risqueraient d'endommager votre four. Retirez tous les ustensiles métalliques avant de cuire les aliments.

Essai des ustensiles

Si vous ne savez pas si un plat est transparent aux micro-ondes, effectuez le test suivant :

1. Remplissez une tasse d'eau et placez-la dans le four, à côté du plat que vous souhaitez tester.



- 2 Appuyez sur le bouton **Add 30sec (Ajouter 30 s.)** pour les chauffer 30 secondes à puissance élevée.

L'eau doit être chaude et le plat que vous testez doit être froid. Si le plat est chaud, cela signifie qu'il absorbe l'énergie des micro-ondes et ne peut donc pas être utilisé dans ce four.

Dépannage

GUIDE DES PANNES

Avant de faire appel à un dépanneur pour votre four, consultez la liste des problèmes et solutions possibles.

L'affichage et le four ne fonctionnent pas.

- Insérez correctement la fiche dans une prise avec mise à la terre.
- Si la prise est commandée par interrupteur mural, assurez-vous que celui-ci est ouvert.
- Retirez la fiche de la prise, attendez dix secondes, puis rebranchez-la.
- Remettez le disjoncteur en place ou remplacez les fusibles grillés.
- Branchez un autre appareil sur la prise. Si l'autre appareil ne fonctionne pas, demandez à un électricien qualifié de réparer la prise.
- Branchez le four sur une autre prise.

L'affichage du four fonctionne mais l'appareil ne s'allume pas.

- Assurez-vous que la porte est correctement fermée.
- Vérifiez si du matériel d'emballage ou tout autre matériau est collé au joint de la porte.
- Vérifiez si la porte est endommagée.
- Appuyez deux fois sur la touche STOP/CLEAR (ARRÊTER/EFFACER) et ressaisissez toutes les instructions de cuisson.

L'appareil s'éteint avant la fin du temps programmé.

- S'il n'y a pas eu de coupure de courant, retirez la fiche de la prise, attendez dix secondes, puis rebranchez-la. S'il y a eu une coupure de courant, l'indicateur d'heure affiche : **PLEASE TOUCH CLOCK AND SET TIME OF DAY.** (VEUILLEZ MANIPULER L'HORLOGE ET RÉGLER L'HEURE) Réglez l'heure et saisissez une nouvelle fois les instructions de cuisson.
- Remettez le disjoncteur en marche ou remplacez les fusibles grillés.

Les aliments cuisent trop lentement.

- Assurez-vous que le four est sur un circuit d'alimentation électrique de 20 A. L'utilisation d'un autre appareil branché sur le même circuit risque d'entraîner une chute de tension. Au besoin, rebranchez le four sur son propre circuit.

Des étincelles ou des arcs se forment.

- Retirez les ustensiles métalliques, les éventuelles casseroles ou attaches métalliques. Si vous utilisez du papier aluminium, utilisez uniquement des bandes de petites dimensions et ménagez au moins un espace de 2,5 cm entre l'aluminium et les parois intérieures du four.

Le plateau tournant fait du bruit ou colle.

- Nettoyez le plateau tournant, son anneau et la sole.
- Assurez-vous que le plateau tournant et son anneau sont placés correctement.

L'utilisation du micro-ondes provoque des interférences télé ou radio.

- Il s'agit du même type d'interférences provoquées par les autres petits appareils, tels que les sèche-cheveux. Eloignez votre micro-ondes des autres appareils, comme le téléviseur ou le poste de radio.

Remarque :

Si le four est programmé pour un temps de cuisson supérieur à 25 minutes, il se réglera automatiquement à 70 pourcent de sa puissance après 25 minutes pour éviter toute surchauffe.

Si vous ne parvenez pas à résoudre votre problème, veuillez appeler le numéro

d'assistance :

1-800-688-9900 aux États-Unis

1-800-688-2002 au Canada.

Garantie et assistance

Garantie

Garantie limitée d'un an - pièces et main-d'œuvre

Durant une période d'un (1) an à compter de la date de l'achat initial, toute pièce qui se révélerait défectueuse dans les conditions normales d'usage ménager sera réparée ou remplacée gratuitement.

Résidents du Canada

Les garanties ci-dessus couvrent un appareil installé au Canada seulement s'il a été agréé par les agences de test habilitées (vérification de la conformité à une norme nationale du Canada), sauf si l'appareil a été introduit au Canada à l'occasion d'un changement de résidence des États-Unis vers le Canada.

*Les garanties spécifiques formulées ci-dessus sont les **SEULES** que le fabricant accorde. Ces garanties vous confèrent des droits juridiques spécifiques et vous pouvez également jouir d'autres droits, variables d'un État à l'autre ou d'une province à l'autre.*

LE SEUL ET UNIQUE RECOURS DU CLIENT EN VERTU DE CETTE GARANTIE LIMITÉE EST LA RÉPARATION DU PRODUIT COMME DÉCRITE PRÉCÉDEMMENT. LES GARANTIES IMPLICITES, Y COMPRIS LES GARANTIES DE QUALITÉ MARCHANDE OU D'ADAPTATION À UN USAGE PARTICULIER, SONT LIMITÉES À UN AN OU À LA PÉRIODE LA PLUS COURTE PERMISE PAR LA LOI. MAYTAG CORPORATION NE SERA PAS TENUE RESPONSABLE DES DOMMAGES DIRECTS OU INDIRECTS. CERTAINS ÉTATS ET CERTAINES PROVINCES INTERDISENT L'EXCLUSION ET LA LIMITATION DES DOMMAGES DIRECTS OU INDIRECTS AINSI QUE LES LIMITATIONS SUR LA DURÉE DES GARANTIES IMPLICITES DE QUALITÉ MARCHANDE OU D'ADAPTATION À UN USAGE PARTICULIER. IL EST DONC POSSIBLE QUE CES LIMITATIONS NE S'APPLIQUENT PAS À VOUS. CETTE GARANTIE VOUS CONFÈRE DES DROITS JURIDIQUES SPÉCIFIQUES ET IL SE PEUT QUE VOUS AYIEZ D'AUTRES DROITS, QUI VARIENT D'UN ÉTAT À L'AUTRE OU D'UNE PROVINCE À L'AUTRE.

Ne sont pas couverts par ces garanties

1. Les problèmes et dommages résultant des situations suivantes :
 - a. Mise en service, livraison ou entretien effectués incorrectement.
 - b. Toute réparation, modification, altération et tout réglage non autorisés par le fabricant ou par un prestataire de service après-vente agréé.
 - c. Mauvais emploi, emploi abusif, accidents, usage non raisonnable, ou catastrophe naturelle.
 - d. Courant électrique, tension, alimentation électrique ou en gaz incorrects.
 - e. Réglage incorrect d'une commande.
2. Les garanties ne peuvent être honorées si les numéros de série d'origine ont été enlevés, modifiés ou ne sont pas facilement lisibles.
3. Ampoules, filtres à eau et filtres à air.
4. Les produits achetés à des fins commerciales ou industrielles.
5. Les frais de dépannage ou de visite pour :
 - a. Correction d'erreurs de mise en service. Pour les produits nécessitant une ventilation, un conduit métallique rigide doit être utilisé.
 - b. Initiation de l'utilisateur à l'emploi de l'appareil.
 - c. Transport de l'appareil chez le réparateur et retour de l'appareil chez l'utilisateur.
6. Tout aliment perdu en raison de pannes du réfrigérateur ou du congélateur.
7. Dépenses de déplacement et de transport pour la réparation du produit dans des endroits éloignés.
8. Cette garantie n'est pas valide à l'extérieur des États-Unis et du Canada. Communiquez avec votre détaillant pour savoir si une autre garantie s'applique.
9. Dommages indirects ou accessoires subis par toute personne à la suite d'une quelconque violation des garanties. Certains États ou provinces ne permettent pas l'exclusion ou la limitation de responsabilité en ce qui concerne les dommages directs ou indirects. L'exclusion ci-dessus peut en conséquence ne pas s'appliquer à votre cas.

Si vous avez besoin d'aide

Consultez d'abord la section sur le dépannage dans le manuel d'utilisation et d'entretien, puis appelez le détaillant de qui vous avez acheté votre appareil ou le service à la clientèle de Maytag Services LLC au 1-800-688-9900 aux États-Unis et au 1-800-688-2002 au Canada pour savoir où trouver un réparateur autorisé.

- Veillez à conserver la facture d'achat pour justifier de la validité de la garantie. Pour d'autres renseignements concernant les responsabilités du propriétaire à l'égard du service sous garantie, voir le texte de la GARANTIE.
- Si le détaillant ou l'agence de service après-vente ne peut résoudre le problème, écrivez à Maytag Services LLC à l'adresse suivante : CAIR® Center, P.O. Box 2370, Cleveland, TN 37320-2370 États-Unis, ou appelez au **1-800-688-9900 aux États-Unis ou au 1-800-688-2002 au Canada.**
- Les guides d'utilisation, les manuels de service et les renseignements sur les pièces sont disponibles auprès du service à la clientèle de Maytag Services LLC.

Remarques : Veillez à fournir l'information suivante lorsque vous communiquez avec nous au sujet d'un problème :

- a. Vos nom, adresse et numéro de téléphone;
- b. Numéro de modèle et numéro de série de l'appareil;
- c. Nom et adresse du détaillant avec la date l'appareil acheté ;
- d. Description détaillée du problème observé;
- e. Preuve d'achat (facture de vente).

Horno de microondas

Guía de uso y cuidado

Modelo AMC2206BA

INSTRUCCIONES DE SEGURIDAD IMPORTANTES 50

Precauciones para evitar la posible exposición a energía de microondas excesiva 52

Instalación y funcionamiento 54

Características 55

Manual de instrucciones 57

Cuidado y limpieza 69

Utensilios para cocinar 70

Solución de problemas 71

Garantía y servicio técnico 72

Conserve las instrucciones para consultas futuras.
Asegúrese de que esta Guía de uso y cuidado se conserve con el horno.

INSTRUCCIONES DE SEGURIDAD IMPORTANTES

Instalador: Conserve esta guía con el electrodoméstico.
Consumidor: Lea y conserve esta Guía de uso y cuidado para consultas futuras.

Conserve el recibo de venta y/o la cuenta cancelada como prueba de compra.

Número de modelo _____

Número de serie _____

Fecha de compra _____

En nuestro esfuerzo permanente por mejorar la calidad y el desempeño de nuestros electrodomésticos, puede ser necesario efectuar cambios al electrodoméstico sin analizar esta guía.

Si tiene preguntas, escribanos (incluya su número de modelo y un número de teléfono) o llame a:

Maytag Services^{LLC}

Attn: CAIR® Center

P.O. Box 2370

Cleveland, TN 37320-2370

1-800-688-9900 en EE.UU.

1-800-688-2002 en Canadá.

1-800-688-2080 (TTY de EE.UU para personas con deficiencias auditivas o del habla)

(Lun.-Vie., 8 a.m.-8 p.m. Hora del Este)

Internet: <http://www.amana.com>

Lo que necesita saber sobre las instrucciones de seguridad

Las advertencias e instrucciones importantes sobre seguridad que aparecen en esta Guía de uso y cuidado no están destinadas a cubrir todas las posibles condiciones y situaciones que puedan ocurrir. Debe actuar con sentido común, precaución y cuidado cuando instale, realice el mantenimiento o ponga en funcionamiento el microondas.

Comuníquese siempre con su vendedor, distribuidor, agente de servicio o fabricante si surgen problemas o situaciones que usted no comprende.

Reconozca los símbolos, advertencias y etiquetas de seguridad Etiquetas

⚠ PELIGRO

PELIGRO – Riesgos inminentes que **CAUSARÁN** lesiones físicas graves o la muerte.

⚠ ADVERTENCIA

ADVERTENCIA – Peligros o prácticas inseguras que **PODRÍAN** causar lesiones físicas graves o la muerte.

⚠ PRECAUCIÓN

PRECAUCIÓN – Peligros o prácticas inseguras que **PODRÍAN** causar lesiones físicas leves.

⚠ ADVERTENCIA

Los líquidos tales como el agua, café o té pueden calentarse más allá del punto de ebullición sin que parezca que están hirviendo debido a la tensión superficial del líquido. No siempre se verán las burbujas o el hervor cuando se retira el recipiente del horno de microondas. **ESTO PUEDE HACER QUE LOS LÍQUIDOS MUY CALIENTES SE DERRAMEN REPENTINAMENTE CUANDO SE INSERTA EN EL LÍQUIDO UNA CUCHARA U OTRO UTENSILIO.** Para reducir el riesgo de lesión a las personas:

1. **No** caliente el líquido demasiado.
2. Revuelva el líquido tanto antes como a la mitad del proceso de calentamiento.
3. **No** utilice recipientes con lados rectos y cuellos estrechos.
4. Después de calentar, deje el recipiente en el horno de microondas durante un tiempo breve antes de sacarlo.
5. Sea muy cuidadoso cuando inserte una cuchara u otro utensilio en el recipiente.

CONSERVE ESTAS INSTRUCCIONES

INSTRUCCIONES DE SEGURIDAD IMPORTANTES

⚠ ADVERTENCIA

Cuando se utilizan aparatos eléctricos, se deben seguir instrucciones de seguridad básicas para reducir el riesgo de quemaduras, descargas eléctricas, incendios o lesiones físicas o exposición a energía de microondas excesiva.

1. **LEA** todas las instrucciones antes de usar el horno.
2. **LEA Y SIGA** las "PRECAUCIONES PARA EVITAR LA POSIBLE EXPOSICIÓN A ENERGÍA DE MICROONDAS EXCESIVA" en la página 52.
3. Instale o coloque este horno **SÓLO** de acuerdo con las instrucciones de instalación de este manual.
4. Algunos productos tales como los huevos enteros y los recipientes sellados—como por ejemplo los frascos de vidrio cerrados—pueden explotar y **NO DEBEN CALENTARSE** en este horno.
5. Utilice este horno **SÓLO** para el propósito para el que se diseñó como se describe en este manual. No utilice productos químicos corrosivos ni vapores en este horno. Este tipo de horno está específicamente diseñado para calentar, cocinar o secar alimentos. No está diseñado para uso industrial o de laboratorio.
6. Al igual que con cualquier electrodoméstico, es necesaria una **SUPERVISIÓN ESTRICTA** cuando lo utilizan **NIÑOS** o **PERSONAS ENFERMAS**.
7. Consulte las instrucciones de limpieza de la puerta en la sección Cuidado y Limpieza.
8. Los frascos de alimentos de bebé deben abrirse para calentarse y el contenido debe revolverse o sacudirse antes del consumo, para evitar quemaduras.

9. **NO** utilice este horno para propósitos comerciales. Está fabricado para uso doméstico solamente.
10. **NO** caliente biberones en el horno.
11. **NO** ponga en funcionamiento este horno si tiene un cable o enchufe dañado, si no funciona bien, o si sufrió algún daño o se cayó.
12. Este horno, incluyendo el cable de alimentación, debe ser reparado **SOLAMENTE** por personal de servicio calificado. Se requieren herramientas especiales para reparar el horno. Comuníquese con el centro de servicio autorizado más cercano para el examen, reparación o ajuste del horno.
13. **NO** cubra ni bloquee el filtro u otras aberturas del horno.
14. **NO** guarde este horno al aire libre. **NO** utilice este producto cerca del agua – por ejemplo, cerca del fregadero de la cocina, en un sótano húmedo, cerca de una piscina o en lugares similares.
15. **NO** sumerja el cable o el enchufe en agua.
16. Mantenga el cable **ALEJADO** de las superficies **CALIENTES**.
17. **NO** deje que el cable cuelgue sobre el borde de la mesa o la mesada.

⚠ PRECAUCIÓN

Para evitar el riesgo de incendio en la parte interior del horno:

- a. **NO** cocine demasiado la comida. Preste atención al horno cuando coloque en su interior papel, plástico u otros materiales combustibles para facilitar la cocción.
- b. Retire las ataduras de alambre de las bolsas de papel o plástico antes de colocar la bolsa en el horno.
- c. Si los materiales dentro del horno se prenden fuego, mantenga la puerta del horno **CERRADA**, apague el horno y desconecte el cable de alimentación, o corte la corriente en el fusible o el panel del disyuntor.
- d. **NO** use la parte interna del horno para almacenamiento. **NO** deje productos de papel, utensilios de cocción o alimentos en la parte interna del horno cuando no se utiliza.

CONSERVE ESTAS INSTRUCCIONES

INSTRUCCIONES DE SEGURIDAD IMPORTANTES

Precauciones para evitar la posible exposición a energía de microondas excesiva

- A. **NO** intente hacer funcionar este horno con la puerta abierta dado que el funcionamiento con la puerta abierta puede dar como resultado una exposición nociva a energía de microondas. Es importante no alterar ni modificar las trabas de seguridad.
- B. **NO** coloque ningún objeto entre la parte delantera del horno y la puerta ni deje que se acumule suciedad o residuos de limpiadores en las superficies de sellado.
- C. **NO** ponga en funcionamiento el horno si está dañado. Es particularmente importante que la puerta del horno cierre bien y que no se ocasionen daños a:
 - 1. la puerta (doblada),
 - 2. las bisagras y pestillos (rotos o sueltos),
 - 3. las juntas de la puerta y las superficies de sellado.
- D. El horno no debe ser regulado o reparado por ninguna persona excepto el personal de servicio debidamente calificado.

⚠ PRECAUCIÓN

Para evitar lesiones físicas o daños materiales, cumpla lo siguiente:

1. **No** fría en grasa abundante en el horno. La grasa podría recalentarse y se peligrosa de manipular.
2. **No** cocine ni recaliente huevos con cáscara o con yema entera utilizando energía de microondas. Podría acumular presión y estallar. Perfore la yema con un tenedor o cuchillo antes de la cocción.
3. Perfore la piel de las papas, tomates y alimentos similares antes de cocinarlos con energía de microondas. Cuando se perfora la piel, el vapor sale de manera uniforme.
4. **No** ponga en funcionamiento el horno si carga o alimentos dentro.
5. Utilice sólo las palomitas de maíz que vienen en paquetes diseñados y rotulados para uso en el microondas. El tiempo de cocción varía según el vatiaje del horno. **No** siga calentando después de que las palomitas de maíz dejaron de estallar. De lo contrario se chamuscarán o quemarán. **No** descuide el microondas.
6. **No** utilice termómetros de cocción comunes en el horno. La mayoría de los termómetro de cocción contienen mercurio y pueden causar arcos eléctricos, mal funcionamiento o daño al horno.
7. **No** utilice utensilios de metal en el horno.
8. Nunca utilice papel, plástico u otro material combustible que no esté destinado a la cocción.
9. Cuando cocine con papel, plástico u otro material combustible, siga las recomendaciones del fabricante sobre el uso del producto.
10. **No** utilice toallas de papel que contengan nailon u otras fibras sintéticas. Las fibras sintéticas calentadas podrían derretirse y hacer que el papel se incendiara.
11. **No** caliente recipientes sellados ni bolsas de plástico en el horno. Los alimentos o líquidos podrían expandirse rápidamente y hacer que el recipiente o la bolsa se rompiera. Perfore o abra el recipiente o la bolsa antes de la cocción.
12. Para evitar el mal funcionamiento de un marcapasos, consulte con su médico o el fabricante del marcapasos acerca de los efectos de la energía de microondas en el marcapasos.

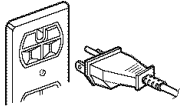
CONSERVE ESTAS INSTRUCCIONES

INSTRUCCIONES DE SEGURIDAD IMPORTANTES

⚠ ADVERTENCIA

Para evitar el riesgo de descarga eléctrica o la muerte, este horno debe conectarse a tierra y el enchufe no debe alterarse.

Instrucciones de conexión a tierra



El horno **DEBE** estar conectado a tierra. La conexión a tierra reduce el riesgo de descarga eléctrica ya que ofrece un cable de escape para la corriente eléctrica en caso de que haya un cortocircuito. Este horno está equipado con un cable que tiene un conductor a tierra con un enchufe con conexión a tierra. El enchufe debe conectarse a un tomacorriente que esté correctamente instalado y conectado a tierra. Consulte las instrucciones de instalación.

Consulte a un electricista o centro de servicio calificado si no comprende bien las instrucciones de conexión a tierra, o si tiene alguna duda respecto de si el horno está conectado a tierra correctamente.

No utilice un cable prolongador. Si el cable de alimentación del producto es demasiado corto, haga que un electricista calificado instale un tomacorriente de tres ranuras. Este horno debe enchufarse en un circuito de 60 Hz separado con los valores eléctricos nominales mostrados en la tabla de especificaciones. Cuando el horno comparte el circuito con otros equipos, quizás sea necesario un aumento en los tiempos de cocción y pueden saltar los fusibles.

El microondas funciona con la corriente normal doméstica, 110-120V.

⚠ ADVERTENCIA

No corte ni retire el tercer pin (a tierra).

Declaración de interferencia de radiofrecuencia de la Comisión Federal de Comunicaciones (EE.UU. solamente)

Este equipo genera y utiliza energía de frecuencia ISM, y si no se instala y se utiliza correctamente, es decir, en estricto cumplimiento con las instrucciones del fabricante, puede causar interferencia con la recepción de radio y televisión. Se ha comprobado y confirmado que cumple con los límites estipulados para Equipos ISM (Industriales, Científicos, Médicos) en virtud de la sección 18 de los reglamentos de la FCC, que han sido diseñados para proveer protección razonable contra tal interferencia en una instalación residencial.

Sin embargo, no se garantiza que no habrá interferencia en alguna instalación determinada. Si este equipo causa interferencia con la recepción de radio o televisión, lo que puede determinarse apagando y encendiendo el equipo, se recomienda que el usuario intente corregir la interferencia de una de las siguientes maneras:

- Cambie la orientación de la antena de recepción de radio o televisión.
- Ubique en otro lugar el horno de microondas con respecto al receptor.
- Aleje el horno de microondas del receptor.
- Enchufe el horno de microondas en un tomacorriente distinto para que el horno de microondas y el receptor estén en circuitos diferentes.

El fabricante no es responsable de ninguna interferencia de radio o televisión causada por la **modificación no autorizada** de este horno de microondas. Es responsabilidad del usuario corregir tal interferencia.

CONSERVE ESTAS INSTRUCCIONES

Instalación y funcionamiento

CIRCUITOS

Para fines de seguridad este horno debe enchufarse a un circuito de 15 o 20 Amp. No debe haber ningún otro artefacto eléctrico o circuito de luz en esta línea. Si tiene alguna duda, consulte a un electricista matriculado.

VOLTAJE

El voltaje utilizado en el tomacorriente debe ser el mismo que se especifica en la placa con el nombre del horno ubicada en la parte interna de la puerta del horno. El uso de un voltaje mayor es peligroso y puede resultar en un incendio u otro tipo de accidente que cause un daño al horno. El voltaje bajo causará una cocción lenta. En caso de que su horno de microondas no funcione normalmente a pesar de tener el voltaje adecuado, desconecte y vuelva a conectar el enchufe.

UBICACIÓN DEL HORNO

Su horno de microondas puede instalarse fácilmente en su cocina, sala de estar de la familia o cualquier otro lugar de su casa. Coloque el horno sobre una superficie plana tal como una mesada de cocina o un carrito especialmente diseñado para el horno de microondas. No coloque el horno sobre una cocina a gas o eléctrica. Es importante que el aire pueda fluir alrededor del horno.

DESEMBALAJE DEL HORNO

- Inspeccione el horno para controlar que no se hayan producido daños tales como abolladuras en la puerta o en el interior del horno.
- Reporte cualquier abolladura o rotura a la fuente de compra de inmediato. No intente utilizar el horno si está dañado.
- Extraiga todos los materiales del interior del horno.
- Si el horno estuvo almacenado en un área extremadamente fría, espere unas horas antes de conectar la alimentación.

POSIBILIDAD DE SER EMPOTRADO

Para obtener más información llame:

1-800-688-9900 en EE.UU.

1-800-688-2002 en Canadá.

NO BLOQUEE LOS ORIFICIOS DE VENTILACIÓN

Todos los orificios de ventilación deben mantenerse despejados durante la cocción. Si se cubren los orificios de ventilación durante el funcionamiento el horno puede recalentarse. En este caso, un delicado dispositivo de seguridad térmica apaga el horno. El horno quedará fuera de servicio hasta que se haya enfriado lo suficiente.

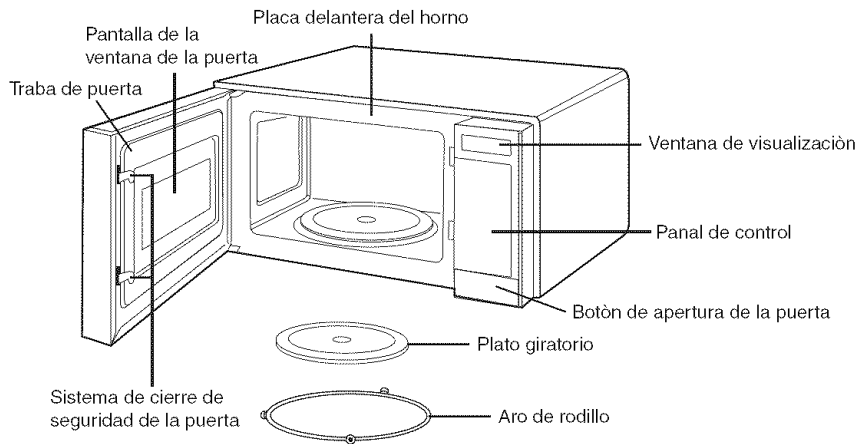
OBTENGA LOS MEJORES RESULTADOS DE COCCIÓN

Para obtener los mejores resultados de su horno de microondas, lea y siga las pautas a continuación.

- **Temperatura de almacenamiento:** Los alimentos que sesacan del freezer o refrigerador tardan más tiempo en cocinarse que los mismos alimentos a temperatura ambiente.
- **Tamaño:** Los trozos pequeños de alimentos se cocinan más rápido que los de mayor tamaño, los trozos de tamaño y forma similares se cocinan en forma más pareja. Para una cocción uniforme, reduzca la potencia cuando cocina trozos grandes de alimentos.
- **Humedad natural:** Los alimentos muy húmedos se cocinan en forma más pareja porque la energía del microondas se ve atraída por las moléculas de agua.
- **Revuelva** los alimentos tales como guisos y verduras desde el exterior hacia el centro para distribuir el calor en forma pareja y acelerar la cocción. No es necesario revolver constantemente.

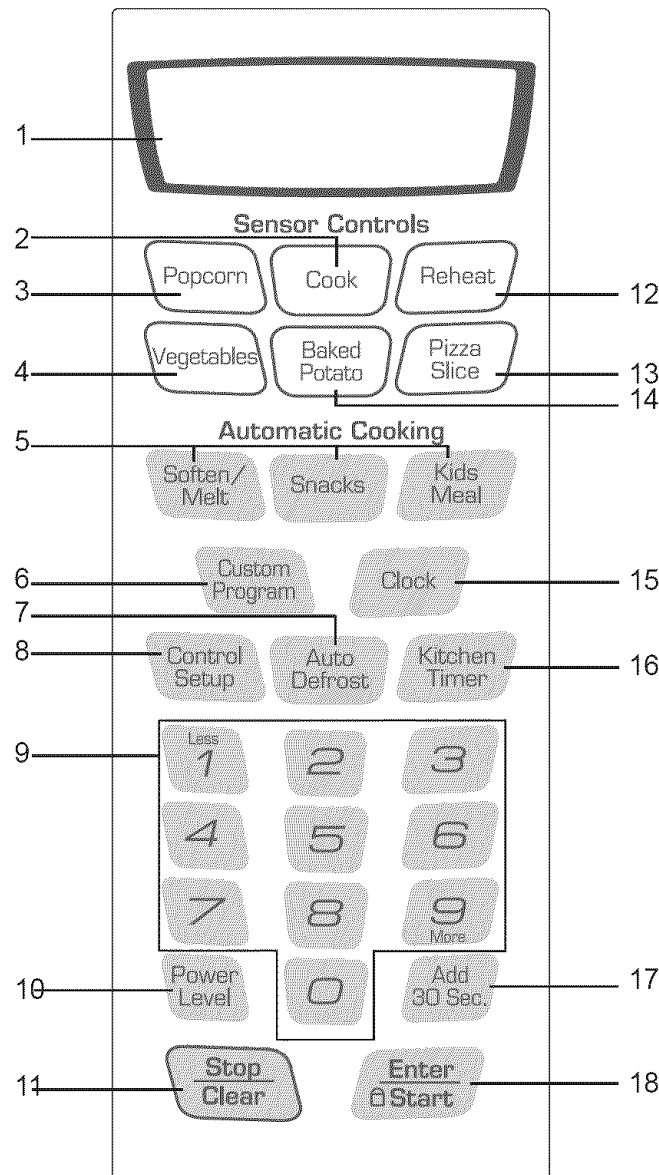
- **Dé vuelta** los alimentos tales como las chuletas de cerdo, las papas al horno, las carnes asadas o la coliflor entera a la mitad del tiempo de cocción para exponer todos los lados por igual a la energía de microondas.
- **Coloque** las áreas delicadas de los alimentos, tales como las puntas de los espárragos, hacia el centro del plato.
- **Acomode** los alimentos de formas desparejas, tales como las presas de pollo o los filetes de salmón con las partes más gruesas hacia la parte externa del plato.
- **Proteja** con **pequeños** pedazos de papel aluminio las partes de los alimentos que puedan cocinarse más rápidamente, tales como las puntas de las alas o los extremos de las patas de las aves.
- **Deje reposar:** Después de retirar el alimento del microondas, cúbralo con papel de aluminio o la tapa del recipiente y déjelo reposar para que se termine de cocinar en el centro y para evitar que los bordes externos se cocinen demasiado. La cantidad del tiempo de reposo depende de la densidad y la superficie del alimento.
- **Envolver en papel de cera o en una toalla de papel:** Los emparedados y muchos otros alimentos que contienen pan horneado previamente deben envolverse antes de calentarlos en el microondas para evitar que se sequen.

Características



ESPECIFICACIONES DEL HORNO

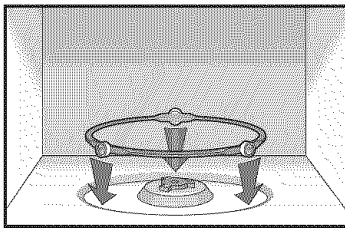
Alimentación eléctrica	120 VCA, 60 Hz
Potencia de entrada	1.550 W
Potencia de cocción	1.100 W (Norma 60705 IEC)
Frecuencia	2.450 MHz
Potencia nominal	13,5 A
Dimensiones exteriores (Ancho x Alto x Profundidad)	23 ²¹ / ₃₂ " x 13 17 ¹⁷ / ₆₄ " x 18 ³ / ₁₆ "
Capacidad interior	2,0 pies cúbicos
Peso neto	41,4 lbs.



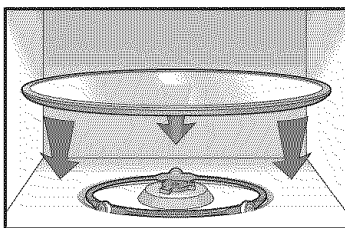
Características

Configurar su horno de microondas

1. Enchufe el cable en un tomacorriente conectado a tierra. Una vez enchufado, la pantalla de su horno mostrará:
PLEASE TOUCH CLOCK AND SET TIME OF DAY. (PORFAVOR OPRIMA CLOCK (RELOJ) Y CONFIGURE LA HORA DEL DÍA.)
2. Abra la puerta del horno tirando de la manija en el lado derecho de la puerta.
3. Limpie el interior del horno con un paño húmedo.
4. Coloque el anillo pre-montado en la muesca del centro del horno.



5. Coloque la bandeja de vidrio sobre el anillo para que las tres pestañas de vidrio del centro de la bandeja encajen en forma segura en las pestañas en el piso del horno.



CARACTERÍSTICAS

1. **DISPLAY (PANTALLA):** La Pantalla incluye un reloj e indicadores que le muestran la hora del día, los ajustes de tiempo de cocción y las funciones de cocción seleccionadas.
2. **COOK (COCCIÓN):** Oprima esta tecla para cocinar bebidas, comidas congeladas, desayunos congelados, pechugas de pollo. El sensor le indicará al horno cuánto tiempo cocinar dependiendo de la cantidad de humedad proveniente de la comida. Consulte la página 61 para obtener más información.
3. **POPCORN (PALOMITAS DE MAÍZ):** Oprima esta tecla cuando prepare palomitas de maíz en su horno de microondas. El sensor le indicará al horno cuánto tiempo cocinar dependiendo de la cantidad de humedad que detecte en las palomitas de maíz. Consulte la página 60 para obtener más información.
4. **VEGETABLES (VERDURAS):** Oprima esta tecla para cocinar verduras frescas o congeladas. El sensor le indicará al horno cuánto tiempo cocinar dependiendo de la cantidad de humedad que detecte en las verduras. Consulte la página 61 para obtener más información.
5. **SOFTEN/MELT, SNACKS, KIDS MEALS (SUAVIZAR/DERRETIR, SNACKS, COMIDAS PARA NIÑOS):** Oprima esta tecla para cocinar comidas específicas. Consulte las páginas 63,64 y 65 para obtener más información.
6. **CUSTOM PROGRAM (PROGRAMA PERSONALIZADO):** Oprima esta tecla para recuperar una instrucción de cocción previamente programada en la memoria. Consulte la página 58 para obtener más información.
7. **AUTO DEFROST (DESCONGELAMIENTO AUTOMÁTICO):** Oprima esta tecla para descongelar alimentos según el peso. Consulte la página 66 para obtener más información.
8. **KITCHEN TIMER (TEMPORIZADOR DE LA COCINA):** Oprima esta tecla para configurar el temporizador de la cocina. Consulte la página 57 para obtener más información.
9. **NÚMERO:** Oprima las teclas numéricas para ingresar el tiempo de cocción, el nivel de potencia, las cantidades o los pesos.
10. **POWER LEVEL (NIVEL DE POTENCIA):** Oprima esta tecla para seleccionar un nivel de potencia de cocción.
11. **STOP/CLEAR (APAGAR/ANULAR):** Oprima esta tecla para apagar el horno o anular todas las entradas.
12. **REHEAT (RECALENTAMIENTO):** Oprima esta tecla para recalentar un plato de comida, guisos y pastas. El sensor le indicará al horno cuánto tiempo recalentar dependiendo de la cantidad de humedad proveniente de los alimentos. Consulte la página 61 para obtener más información.
13. **PIZZA SLICE (REBANADA DE PIZZA):** Oprima esta tecla para recalentar la pizza. El sensor le indicará al horno cuánto tiempo cocinar dependiendo de la cantidad de humedad que detecte. Consulte la página 60 para obtener más información.
14. **BAKED POTATO (PAPAS AL HORNO):** Oprima esta tecla para cocinar papas. El sensor le indicará al horno cuánto tiempo cocinar dependiendo de la cantidad de humedad que detecte en las papas. Consulte la página 61 para obtener más información.
15. **CLOCK (RELOJ):** Oprima esta tecla para ingresar la hora del día. Consulte la página 57 para obtener más información.
16. **CONTROL SETUP (CONFIGURACIÓN DE CONTROLES):** Oprima esta tecla para modificar las configuraciones predeterminadas del horno. Consulte la página 57 para obtener más información.
17. **ADD 30 SEC (AGREGAR 30 SEG):** Oprima esta tecla para ajustar y comenzar rápidamente en el nivel de potencia del 100%. Consulte la página 57 para obtener más información.
18. **ENTER/START (INGRESAR/COMENZAR):** Oprima esta tecla para iniciar una función. Si abre la puerta después de que el horno comienza a cocinar, oprima **ENTER/START (INGRESAR/COMENZAR)** nuevamente.

NOTA:

- La tecla Add 30 sec (Agregar 30 seg) no se puede utilizar con ninguna tecla de control de sensor o AUTO DEFROST (DESCONGELAMIENTO AUTOMÁTICO).

Manual de instrucciones

CONOZCA SU HORNO DE MICROONDAS

Esta sección describe los elementos básicos que debe conocer para manejar su horno de microondas. Por favor lea esta información antes de utilizarlo.

⚠ PRECAUCIÓN

- Para evitar el riesgo de lesiones físicas o daños materiales, no ponga en funcionamiento el horno vacío.
- Para evitar el riesgo de lesiones físicas o daños materiales no utilice recipientes de barro cocido, papel de aluminio, utensilios de metal ni con adornos de metal en el horno.

CLOCK (RELOJ)

Ejemplo: Para poner el reloj a las 8:00 AM.

Clock

8 0 0

Enter
Start

1 Less

Enter
Start

1. Oprima la tecla **CLOCK** (RELOJ).
2. Ingrese la hora utilizando el teclado numérico.
3. Oprima la tecla **ENTER/START** (INGRESAR/COMENZAR).
4. Oprima **1** para AM.
5. Oprima la tecla **ENTER/START** (INGRESAR/COMENZAR).

NOTA:

- Siga los pasos 1-3 anteriores, cuando el reloj esté configurado en el modo de 24 horas.

KITCHEN TIMER (TEMPORIZADOR DE LA COCINA)

Puede utilizar su horno de microondas como temporizador. Utilice el Temporizador de la cocina para programar hasta 99 minutos, 99 segundos.

Ejemplo: Para programar 3 minutos.

Kitchen
Timer

3 0 0

Enter
Start

1. Oprima la tecla **KITCHEN TIMER** (TEMPORIZADOR DE LA COCINA).
2. Ingrese la hora utilizando el teclado numérico.
3. Oprima la tecla **ENTER/START** (INGRESAR/COMENZAR).

Cuando haya transcurrido el tiempo, escuchará señales sonoras y aparecerá la palabra **END** (FIN).

CONTROL SETUP (CONFIGURACIÓN DE CONTROLES)

Puede modificar los valores predeterminados. Consulte la siguiente tabla para obtener más información.

Nro.	Función	Nro.	Resultado
1	Modo de peso seleccionado	1 2	Lbs. Kg.
2	Sound ON/OFF (Sonido encend/apag)	1 2	Sound ON (Sonido encend) Sound OFF (Sonido apag)
3	Control de pantalla de reloj	1 2	12HR 24HR
4	Velocidad de marquesina	1 2 3	Velocidad lento Velocidad normal Velocidad rápido
5	Señal de fin	1 2	ON (encend) OFF (apag)
6	Modo Demo	1 2	ON (encend) OFF (apag)
7	Ajuste hora de verano	1 2	ON (encend) OFF (apag)
8	Idioma	1 2	Inglés Español

Ejemplo: Para cambiar el modo de peso (de Lbs. a Kg.).

Control
Setup

1 Less

2

1. Oprima la tecla **CONTROL SETUP** (CONFIGURACIÓN DE CONTROLES).
2. Oprima la tecla numérica **1**.
3. Oprima la tecla numérica **2**.

CHILD LOCK (BLOQUEO PARA NIÑOS)

Puede bloquear el panel de control para evitar que el microondas se inicie accidentalmente o sea utilizado por niños.

La función de bloqueo para niños también es útil cuando se limpia el panel de control. Este bloqueo para niños evita la programación accidental cuando se limpia el panel de control.

Ejemplo: Para configurar el bloqueo para niños.

Stop
Clear

Enter
Start

1. Oprima la tecla **STOP/ CLEAR** (APAGAR/ANULAR).
2. Oprima y mantenga oprimida la tecla **ENTER/START** durante más de **3** segundos. En la pantalla se leerá **CHILD LOCK ON** (Bloqueo para niños encend) y se escucharán dos señales sonoras.

Ejemplo: Para cancelar el bloqueo para niños.

Enter
Start

1. Oprima y mantenga oprimida la tecla **ENTER/START** durante más de **3** segundos. Desaparecerá la palabra **LOCKED** (Bloqueado) y se escucharán dos señales sonoras.

ADD 30 SEC. (AGREGAR 30 SEG.)

Esta tecla ahorra tiempo y le permite configurar rápidamente y comenzar la cocción en el microondas sin la necesidad de oprimir la tecla **ENTER/START**.

Ejemplo: Para programar AGREGAR 30 SEG para añadir 2 minutos.

Add
30 Sec.

1. Oprima la tecla **ADD 30 SEC** (AGREGAR 30 SEG) 4 veces. El horno comienza la cocción y la pantalla muestra la cuenta regresiva del tiempo.

Manual de instrucciones

CUSTOM PROGRAM (PROGRAMA PERSONALIZADO)

CUSTOM PROGRAM (PROGRAMA PERSONALIZADO) le permite recuperar una instrucción de cocción previamente incorporada a la memoria y comenzar a cocinar automáticamente.

Ejemplo: Memoria para cocinar durante 2 minutos a una potencia del 70%.

- Custom Program
- 2 0 0
- Power Level
- 7
- Enter
Start
1. Oprima la tecla **CUSTOM PROGRAM** (PROGRAMA PERSONALIZADO).
 2. Ingrese el tiempo de cocción.
 3. Oprima la tecla **POWER LEVEL** (NIVEL DE POTENCIA).
 4. Ingrese el nivel de potencia.
 5. Oprima la tecla **ENTER / START** (INGRESAR / COMENZAR).

Ejemplo: Para recuperar el programa personalizado.

- Custom Program
- Enter
Start
1. Oprima la tecla **CUSTOM PROGRAM** (PROGRAMA PERSONALIZADO).
 2. Oprima la tecla **ENTER / START** (INGRESAR / COMENZAR).

Cuando haya transcurrido el tiempo de cocción, escuchará cuatro señales sonoras y aparecerá la palabra **END** (FIN).

MORE/LESS (MÁS/MENOS)

Utilizando las teclas **MORE(9)** (Más) o **LESS(1)** (Menos), se pueden ajustar todas las configuraciones de cocción preprogramada y cocción con temporizador para cocinar por más o menos tiempo.

- 9 More
- 1 Less
1. Si se presiona la tecla **MORE(9)** (Más) se agregarán 10 segundos de tiempo de cocción cada vez que la presione.
 2. Si se presiona la tecla **LESS(1)** (Menos) se restarán 10 segundos de cocción cada vez que la presione.

COCINAR CON NIVELES DE POTENCIA ALTOS

Ejemplo: Para cocinar alimentos durante 8 minutos 30 segundos a una potencia del 100%.

- 8 3 0
- Enter
Start
1. Ingrese el tiempo de cocción.
 2. Oprima la tecla **ENTER/START** (INGRESAR / COMENZAR).

Cuando haya transcurrido el tiempo de cocción, escuchará cuatro señales sonoras y aparecerá la palabra **END** (FIN).

NOTA:
Si el horno está programado para cocinar durante más de 25 minutos, después de los 25 minutos se ajustará automáticamente a una potencia del 70 por ciento para evitar que se pase la comida.

COCINAR CON NIVELES DE POTENCIA MÁS BAJOS

La cocción con el nivel de potencia **HIGH** (Alto) no siempre le brinda los mejores resultados con los alimentos que necesitan una cocción más lenta, tales como las carnes asadas, los alimentos horneados o los flanes. Su horno tiene 9 ajustes de potencia además de **HIGH**.

Ejemplo: Para cocinar alimentos durante 7 minutos 30 segundos a una potencia del 70%.

- 7 3 0
- Power Level
- 7
- Enter
Start
1. Ingrese el tiempo de cocción.
 2. Oprima la tecla **POWER LEVEL** (NIVEL DE POTENCIA).
 3. Ingrese el nivel de potencia.
 4. Oprima la tecla **ENTER/START** (INGRESAR / COMENZAR).

Cuando haya transcurrido el tiempo de cocción, escuchará cuatro señales sonoras y aparecerá la palabra **END** (FIN).

Para conocer los niveles de potencia consulte la guía de cocción en la página 59.

COCINAR CON MÁS DE UN CICLO DE COCCIÓN

Para obtener mejores resultados, algunas recetas requieren un nivel de potencia durante un tiempo y otro nivel de potencia durante otro tiempo. Se puede configurar su horno para pasar de uno a otro en forma automática, durante hasta tres ciclos sin el primer ciclo es el descongelamiento.

Ejemplo: Para cocinar alimentos durante 3 minutos a una potencia del 100% y luego a una potencia del 70% durante 7 minutos 30 segundos.

- 3 0 0
- Power Level
- 1 Less 0
- 7 3 0
- Power Level
- 7
- Enter
Start
1. Ingrese el primer tiempo de cocción.
 2. Oprima la tecla **POWER LEVEL** (NIVEL DE POTENCIA).
 3. Ingrese el nivel de potencia.
 4. Ingrese el segundo tiempo de cocción.
 5. Oprima la tecla **POWER LEVEL** (Nivel de potencia).
 6. Ingrese el nivel de potencia.
 7. Oprima la tecla **ENTER / START** (INGRESAR / COMENZAR).

Cuando haya transcurrido el tiempo de cocción, escuchará cuatro señales sonoras y aparecerá la palabra **END** (FIN).

Manual de instrucciones

GUÍA DE COCCIÓN PARA NIVELES DE POTENCIA MÁS BAJOS

Los 10 niveles de potencia le permiten elegir el nivel de potencia más adecuado para los alimentos que cocina. A continuación se enumeran los niveles de potencia, ejemplos de alimentos que se cocinan mejor a cada nivel y la potencia del microondas que utiliza.

POWER LEVEL (NIVEL DE POTENCIA)	SALIDA DEL MICROONDAS	USO
10 High (alto)	100%	Hervir agua. Cocinar carne picada. Hacer dulces. Cocinar frutas y verduras frescas Cocinar pescado y carne de ave. Precalentar una bandeja doradora. Recalentar bebidas. Rebanadas de tocino.
9	90%	Recalentar rebanadas de carne rápidamente. Saltear cebollas, apio y pimiento verde.
8	80%	Todo tipo de recalentamiento. Cocinar huevos revueltos.
7	70%	Cocinar panes y productos a base de cereales. Cocinar platos con queso, ternera. Cocinar tortas, muffins, brownies, magdalenas
6	60%	Cocinar pasta.
5	50%	Cocinar carnes, pollo entero. Cocinar budines. Cocinar pollos enteros, pavo, costillas, costillas asadas, solomillo asado
4	40%	Cocinar cortes de carne menos tiernos. Recalentar comidas rápidas congeladas.
3	30%	Descongelar carne de res, de ave y mariscos. Cocinar pequeñas cantidades de alimentos. Terminar de cocinar guiso, estofado y algunas salsas.
2	20%	Ablandar mantequilla y queso crema. Calentar pequeñas cantidades de alimentos.
1	10%	Ablandar helado. Leudar masa con levadura.

Manual de instrucciones

INSTRUCCIONES DEL SENSOR

La Cocción con Sensor le permite cocinar la mayoría de sus alimentos favoritos sin seleccionar los tiempos de cocción y los niveles de potencia. La pantalla indicará el período de detección desplazando el nombre del alimento. El horno determina automáticamente el tiempo de cocción para cada alimento. Cuando el sensor interno detecta una cierta cantidad de humedad proveniente del alimento, le indicará al horno cuánto tiempo más calentarlo. El horno emitirá una señal sonora y se apagará o la pantalla mostrará el tiempo de calentamiento restante.

Para obtener mejores resultados al cocinar con Sensor, siga estas recomendaciones:

1. Los alimentos cocinados con el sistema de sensor deben estar a temperatura de almacenamiento normal.
2. El plato giratorio de vidrio y la parte externa del recipiente deben estar secos para asegurar mejores resultados de cocción.
3. Los alimentos deben cubrirse, sin apretar, con un envoltorio plástico para microondas, papel de cera o una tapa. Consulte las tablas de sensores en la página 62.
4. **No** abra la puerta ni toque la tecla **STOP/CLEAR** (APAGAR/ANULAR) durante el tiempo de detección. Cuando haya transcurrido el tiempo de detección, se escuchará una señal sonora y aparecerá el tiempo de cocción restante en la pantalla o el horno se apagará. En este momento puede abrir la puerta para revolver, dar vuelta o reacomodar la comida.

IMPORTANTE:

Antes de utilizar la cocción con sensor, se debe dejar enfriar el horno durante 5 minutos para que los alimentos se cocinen correctamente.

GUÍA DE COCCIÓN CON SENSOR

Los recipientes y las cubiertas adecuadas ayudan a garantizar buenos resultados de cocción con Sensor.

1. Siempre utilice recipientes para microondas y cúbralos con sus tapas o con un envoltorio plástico con ventilación.
2. Nunca utilice cubiertas de plástico herméticas. Pueden evitar que salga el vapor y hacer que la comida se pase.
3. Ajuste la cantidad al tamaño del recipiente. Llene los recipientes al menos hasta la mitad para obtener mejores resultados.
4. Asegúrese de que la parte externa del recipiente de cocción y la parte interna del microondas estén secas antes de colocar la comida en el horno. Las gotas de humedad que se convierten en vapor de agua pueden engañar al sensor.

AGREGAR O RESTAR TIEMPO DE COCCIÓN

Utilizando las teclas **MORE(9) (MÁS)** o **LESS(1) (MENOS)** se pueden ajustar todas las configuraciones de cocción con sensor y cocción con temporizador para un mayor o menor tiempo.

POPCORN (PALOMITAS DE MAÍZ)

La tecla **POPCORN (PALOMITAS DE MAÍZ)** le permite preparar en el microondas palomitas de maíz envasadas comercialmente. Prepare sólo un paquete a la vez. Para obtener mejores resultados, utilice bolsas nuevas de palomitas de maíz.

Ejemplo: Para preparar palomitas de maíz

Popcorn Oprima la tecla **POPCORN (PALOMITAS DE MAÍZ)**.

Cuando haya transcurrido el tiempo de cocción, escuchará cuatro señales sonoras y aparecerá la palabra **END (FIN)**.

- Cantidades recomendadas: 3,0-3,5 ozs.

PIZZA SLICE (REBANADA DE PIZZA)

Recalentar pizza con la función **PIZZA SLICE (REBANADA DE PIZZA)** le permite recalentar una o varias rebanadas de pizza sin seleccionar los tiempos de cocción y los niveles de potencia.

Ejemplo: Para recalentar 2 rebanadas de pizza.

Pizza Slice Oprima la tecla **PIZZA SLICE (REBANADA DE PIZZA)**.

Cuando haya transcurrido el tiempo de cocción, escuchará cuatro señales sonoras y aparecerá la palabra **END (FIN)**.

- Cantidades recomendadas: 1-4 rebanadas.
- Después de calentar, deje reposar durante 1-3 minutos.

NOTA:

Si la comida no está bien cocinada o recalentada cuando se utiliza la función sensor, complete la cocción utilizando el nivel de potencia y el tiempo de cocción.

NO siga utilizando la tecla sensor.

Manual de instrucciones

BAKED POTATO (PAPAS AL HORNO)

La tecla BAKED POTATO (PAPAS AL HORNO) le permite hornear una o varias papas sin seleccionar los tiempos de cocción y los niveles de potencia.

NOTAS:

- Antes de hornear, perfora la papa con un tenedor varias veces.
- Después de hornear, deje reposar durante 5 minutos.

Ejemplo: Para cocinar 2 papas.

Baked Potato 1. Oprima la tecla **BAKED POTATO** (PAPAS AL HORNO).

Cuando haya transcurrido el tiempo de cocción, escuchará cuatro señales sonoras y aparecerá la palabra **END** (FIN).

- Cantidades recomendadas: 1-6 papas.
- Deje reposar 5 minutos.

IMPORTANTE:

Antes de utilizar la cocción con sensor, se debe dejar enfriar el horno durante 5 minutos para que los alimentos se cocinen correctamente.

VEGETABLES (VERDURAS)

La función VEGETABLES (VERDURAS) tiene potencias de cocción predeterminadas para 2 categorías de alimentos: **Frescas, Congeladas**.

Ejemplo: Para cocinar verduras congeladas.

Vegetables 1. Oprima la tecla **VEGETABLES** (VERDURAS).
2 2. Elija la categoría de alimento.

Cuando haya transcurrido el tiempo de cocción, escuchará cuatro señales sonoras y aparecerá la palabra **END** (Fin).

Categoría	Oprima el número del teclado
Verduras Frescas	1
Congeladas Verduras	2

- Cantidades recomendadas : 1-4 porciones.

COOK (COCCIÓN)

Utilizar COOK (COCCIÓN) le permite calentar comidas comunes preparadas para microondas sin necesidad de programar tiempos de cocción ni niveles de potencias. COOK tiene tiempos de cocción y niveles de potencia predeterminados para 4 categorías de alimentos: **Bebidas, Cena congelada, Desayuno congelado, Pechuga de pollo**.

Ejemplo: Para cocinar un desayuno congelado.

Cook 1. Oprima la tecla **COOK** (COCCIÓN).
3 2. Elija la categoría de alimento.

Cuando haya transcurrido el tiempo de cocción, escuchará cuatro señales sonoras y aparecerá la palabra **END** (FIN).

Categoría	Oprima el número del teclado
Bebidas	1
Cena congelada	2
Desayuno congelado	3
Pechuga de pollo	4

Cantidades recomendadas:

Bebidas	8-10 ozs.
Cena congelada	8-14 ozs.
Desayuno congelado	4-8 ozs.
Pechuga de pollo	8-24 ozs.

- Después de la cocción deje reposar durante 1-3 minutos.

REHEAT (RECALENTAMIENTO)

La función REHEAT (RECALENTAMIENTO) le permite calentar alimentos sin necesidad de programar tiempos de cocción ni niveles de potencia. Esta función tiene tiempos de cocción y niveles de potencia predeterminados para 3 categorías: **Plato de comida, Cacerola, y Fideos**.

Ejemplo: Para recalentar un Cacerola.

Reheat 1. Oprima la tecla **REHEAT** (RECALENTAMIENTO).
2 2. Elija la categoría de alimento.

Cuando haya transcurrido el tiempo de cocción, escuchará cuatro señales sonoras y aparecerá la palabra **END** (FIN).

Categoría	Oprima el número del teclado
Plato de comida	1
Cacerola	2
Fideos	3

Cantidades recomendadas:

Plato de comida	1 porción
Cacerola	1-4 porciones
Fideos	1-4 porciones

- Después de recalentar deje reposar durante 1-3 minutos.

NOTA:

Si la comida no está bien cocinada o recalentada cuando se utiliza la función sensor, complete la cocción utilizando el nivel de potencia y el tiempo de cocción.

NO siga utilizando la tecla sensor.

Manual de instrucciones

TABLA DE COCCIÓN CON SENSOR

CATEGORÍA		INSTRUCCIONES	CANTIDAD
Palomitas de maíz		Utilice sólo una bolsa para microondas de palomitas de maíz a la vez. Tenga cuidado cuando saque y abra la bolsa caliente del horno. Deje enfriar el horno durante al menos 5 minutos antes de utilizarlo nuevamente.	3.0 a 3.5 oz. 1 paquete
Papas al horno		Pinche cada papa varias veces con un tenedor. Colóquelas en el plato giratorio al estilo de los rayos de una rueda. Dé vuelta los alimentos cuando el horno emita la señal sonora. Déjelas reposar 3-5 minutos. Deje enfriar el horno durante al menos 5 minutos antes de utilizarlo nuevamente. Utilice la tecla MORE(9) (MÁS) cuando cocine papas más grandes.	1 a 6 papas
Rebanada de pizza		Coloque 1-3 rebanadas de pizza en un plato para microondas con el extremo ancho de la porción hacia el borde exterior del plato. No permita que las rebanadas se superpongan. No las cubra. Deje que el horno se enfríe al menos 5 minutos antes de utilizarlo nuevamente. Utilice la tecla MORE(9) (MÁS) para aumentar el tiempo de recalentamiento para la pizza con masa gruesa.	1 a 4 rebanadas
VERDURAS	Verduras Frescas	Coloque las verduras frescas en una fuente de plástico, vidrio o cerámica para microondas y agregue 2-4 cucharadas de agua. Cubra con una tapa o envoltorio plástico con ventilación durante la cocción y revuelva antes de dejar reposar. Deje enfriar el horno durante al menos 5 minutos antes de utilizarlo nuevamente. Utilice la tecla MORE(9) (MÁS) cuando cocine verduras densas tales como zanahorias o brócoli.	1 a 4 porciones
	Verduras Congeladas	Coloque las verduras congeladas en una fuente de plástico, vidrio o cerámica para microondas y agregue 2-4 cucharadas de agua. Cubra con una tapa o envoltorio plástico con ventilación durante la cocción y revuelva antes de dejar reposar. Deje enfriar el horno durante al menos 5 minutos antes de utilizarlo nuevamente. Utilice la tecla MORE(9) (MÁS) cuando cocine verduras densas tales como zanahorias o brócoli.	1 a 4 porciones
COCCIÓN	Bebidas	Utilice una taza o jarro para medir, no lo cubra. Coloque la bebida en el horno. Después de calentar, revuelva bien. Deje enfriar el horno durante al menos 5 minutos antes de utilizarlo nuevamente.	8 a 10 oz.
	Cena Congelada	Quite el envoltorio externo de la comida y siga las instrucciones de la caja para cubrirla y dejarla reposar. Deje que el horno se enfríe al menos 5 minutos antes de utilizarlo nuevamente.	8 a 14 oz.
	Desayuno Congelado	Siga las instrucciones del envase para cubrirlo y dejarlo reposar. Utilice esta tecla para emparedados congelados, el plato principal del desayuno, etc. Deje enfriar el horno durante al menos 5 minutos antes de utilizarlo nuevamente.	4 a 8 oz.
	Pechuga de pollo	Coloque las pechugas de pollo en un plato para microondas y cúbralas con un envoltorio plástico. Cocine a una temperatura interna de 170 grados F. Deje reposar durante 5 minutos. Utilice la tecla MORE(9) (MÁS) para aumentar el tiempo de cocción para pechugas de pollo más grandes o más gruesas.	8 a 24 oz.

TABLA DE RECALENTAMIENTO CON SENSOR

CATEGORÍA		INSTRUCCIONES	CANTIDAD
Plato de comida		Utilice sólo alimentos precocidos refrigerados. Cubra el plato con un envoltorio plástico con ventilación o papel de cera, metido debajo del plato. Si la comida no está tan caliente como la desea después de calentarla con SENSOR REHEAT (RECALENTAMIENTO CON SENSOR), continúe calentándola utilizando tiempo y potencia. Contenido : - 3-4 oz. de carne, ave o pescado (hasta 6 oz. con hueso) - 1/2 taza de almidón (papas, pasta, arroz, etc.) - 1/2 taza de verduras (alrededor de 3-4 oz.)	1 porción (1 plato)
Cacerola		Cubra el plato con una tapa o un envoltorio plástico con ventilación. Si la comida no está tan caliente como la desea después de calentarla con SENSOR REHEAT (RECALENTAMIENTO CON SENSOR), continúe calentándola utilizando tiempo y potencia. Revuelva la comida una vez antes de servirla.	1 a 4 porciones
Fideos		Contenido : - Guisos refrigerados. - Espaguetis y ravioles enlatados.	

NOTAS:

- La temperatura deseada para los alimentos varía de persona a persona.
- Utilice los botones **More(9)/Less(1)** (Más/Menos) para ajustar su preferencia de temperatura.
- Deje reposar los alimentos de 3 a 5 minutos antes de servirlos.

NOTA:

Si la comida no está bien cocinada o recalentada cuando se utiliza la función sensor, complete la cocción utilizando el nivel de potencia y el tiempo de cocción.
NO siga utilizando la tecla sensor.

Manual de instrucciones

SOFTEN/MELT(SUAVIZAR/DERRETIR)

SOFTEN/MELT le permite ablandar o derretir 3 categorías de alimentos : **Derretir chocolate, Ablandar queso crema y Derretir manteca.**

Ejemplo: Para derretir chocolate.

Soften /
Melt

1
Less

Enter
Start

1. Oprima la tecla **SOFTEN/MELT** (SUAVIZAR/DERRETIR).
2. Elija la categoría de alimento (1-3).
3. Oprima la tecla **ENTER/START** (INGRESAR/COMENZAR).

Categoría	Oprima el número del teclado
Derretir chocolate	1
Suavizar queso crema	2
Derretir mantequilla	3

TABLA PARA ABLANDAR/DERRETIR

Elemento	Cantidad o porción	Comentarios
Derretir chocolate	2 cuadrados o 1 taza de pepitas	<ul style="list-style-type: none">• Coloque los cuadrados o las pepitas de chocolate en un recipiente para microondas.• Revuelva bien en la mitad del tiempo cuando el horno emite una señal sonora, y vuelva a iniciar el horno.• A menos que se revuelva, el chocolate mantiene su forma cuando termina el tiempo de calentamiento.
Suavizar queso crema	1 paquete (8 oz.)	<ul style="list-style-type: none">• Desenvuelva el queso crema y colóquelo en un recipiente para microondas.• Deje reposar durante 1-2 minutos.
Derretir mantequilla	1 barra (1/4 lb.) 2 barras (1/2 lb.)	<ul style="list-style-type: none">• Quite el envoltorio y corte la manteca a la mitad en forma vertical.• Coloque la manteca en el recipiente, cúbralo con papel de cera.• Revuelva bien después de finalizar y deje reposar 1-2 minutos.

Manual de instrucciones

KIDS MEALS (COMIDAS PARA NIÑOS)

KIDS MEALS le permite calentar 4 categorías de alimentos : **Croquetas de pollo, Perros calientes, Perros calientes y Emparedados congelados.**

Ejemplo: Para cocinar emparedados congelados.

- Kids Meals**
- 4**
- Enter**
Start
1. Oprima la tecla **KIDS MEALS** (COMIDAS PARA NIÑOS).
 2. Elija la categoría de alimento (1-4).
 3. Oprima la tecla **ENTER/START** (INGRESAR/COMENZAR).

Categoría	Oprima el número del teclado
Croquetas de pollo	1
Perros calientes	2
Papas a la francesa	3
Emparedados congelados	4

TABLA DE COMIDAS PARA NIÑOS

Elemento	Cantidad o porción	Comentarios
Croquetas de pollo	1 porción (4-5 oz.) 2 porciones (6-7 oz.)	<ul style="list-style-type: none"> • Coloque una toalla de papel sobre el plato y acomode los trocitos al estilo de los rayos de una rueda en la toalla de papel. • No los cubra. Deje reposar 1 minuto.
Perros calientes	2 EA 4 EA	<ul style="list-style-type: none"> • Pinche las salchichas, colóquelas en el plato. Cuando el horno emita la señal sonora, agregue los panes y vuelva a iniciar el horno.
Papas a la francesa	1 porción (4-5 oz.) 2 porciones (6-7 oz.)	<ul style="list-style-type: none"> • Coloque 2 toallas de papel sobre el plato y acomode las papas fritas sobre las toallas, sin superponerlas. • Tápelas con otra toalla de papel después de sacarlas del horno.
Emparedados congelados	1 EA 2 EA	<ul style="list-style-type: none"> • Coloque el emparedado congelado en el "manguito" susceptible (que está en el paquete) y póngalo en un plato.

Manual de instrucciones

SNACKS

SNACKS le permite calentar 4 categorías de alimentos : **Nachos, Alitas de pollo, Conchas de papa, y Palitos de queso.**

Ejemplo: Para cocinar alitas de pollo.

Snacks

2

Enter
Start

1. Oprima la tecla **SNACKS**.
2. Elija la categoría de alimento (1-4).
3. Seleccione el tamaño de la porción.
(Alas de pollo, Conchas de papa, Palitos de queso)
4. Oprima la tecla **ENTER/START**
(INGRESAR/COMENZAR).

Categoría	Oprima el número del teclado
Nachos	1
Alas de pollo	2
Conchas de papa	3
Palitos de queso	4

TABLA DE SNACKS

Elemento	Cantidad o porción	Comentarios
Nachos	1 porción	<ul style="list-style-type: none"> • Coloque las tortillas de maíz en el plato sin superponerlas. • Rocíelas con queso en forma pareja. • Contenido : <ul style="list-style-type: none"> - 2 tazas de tortillas de maíz - 1/3 taza de queso rallado
Alas de pollo	5-6 oz. 7-8 oz.	<ul style="list-style-type: none"> • Utilice alitas de pollo precocidas refrigeradas. • Coloque las alitas de pollo alrededor del plato al estilo de los rayos de una rueda y cúbralas con papel de cera. • Oprima la tecla '1' o '2' seleccionar un cantidad.
Conchas de papa	1 papa cocida 2 papas cocidas	<ul style="list-style-type: none"> • Corte la papa cocida en 4 rebanadas parejas. Quite la pulpa de la papa dejando aproximadamente 1/4" de piel. • Coloque las cáscaras al estilo de los rayos de una rueda alrededor del plato. • Espolvoree con tocino, cebollas y queso. No las cubra. • Oprima la tecla '1' o '2' seleccionar un cantidad.
Palitos de queso	5-6 piezas 7-10 piezas	<ul style="list-style-type: none"> • Coloque los bastones de queso en el plato al estilo de los rayos de una rueda. • No los cubra. • Oprima la tecla '1' o '2' seleccionar un cantidad.

Manual de instrucciones

AUTO DEFROST (DESCONGELAMIENTO AUTOMÁTICO)

Las opciones de descongelamiento están programadas en el horno. La función de descongelamiento le ofrece el mejor método de descongelamiento para alimentos congelados, dado que el horno configura automáticamente los tiempos de descongelamiento de acuerdo con el peso que usted ingresa. Para mayor comodidad, la función AUTO DEFROST (DESCONGELAMIENTO AUTOMÁTICO) incluye un mecanismo de tonos incorporado que le recuerda controlar o dar vuelta los alimentos durante el ciclo de descongelamiento.

Después de tocar la tecla **AUTO DEFROST** (DESCONGELAMIENTO AUTOMÁTICO) una vez, seleccione el peso de los alimentos. Los rangos de peso disponibles son de 0,1 a 6,0 lbs.

Ejemplo: Para descongelar 1,2 lbs de carne.

- | | |
|------------------------------------------------|------------------------------------------------------------------------------------------------------------------------------------------------------------|
| Auto Defrost

1 Less 2
Enter
Start | 1. Oprima la tecla AUTO DEFROST (DESCONGELAMIENTO AUTOMÁTICO).
2. Ingrese el peso.
3. Oprima la tecla ENTER/START (INGRESAR/COMENZAR). |
|------------------------------------------------|------------------------------------------------------------------------------------------------------------------------------------------------------------|

NOTAS:

- Después de presionar **ENTER/ START** (INGRESAR/ COMENZAR), la pantalla cuenta el tiempo de descongelamiento en forma regresiva. El horno emitirá la señal sonora dos veces durante el ciclo de descongelamiento. En ese momento, abra la puerta y dé vuelta los alimentos según sea necesario. Saque las porciones que se hayan descongelado luego coloque las porciones congeladas en el horno y presione la tecla **ENTER/ START** (INGRESAR/COMENZAR) para reanudar el ciclo de descongelamiento.
- El horno emitirá una señal sonora para avisarle que controle o dé vuelta los alimentos.

GUÍA PARA EL DESCONGELAMIENTO

- Siga estas instrucciones cuando descongele los distintos tipos de alimentos.

Alimentos	Cantidad estándar	Procedimiento
Rosbif, Cerdo	2.5-6.0 lbs.	Comience con el alimento con el lado de la grasa hacia abajo. Después de cada etapa, gire el alimento y cubra cualquier parte caliente con tiras finas de papel de aluminio. Deje reposar, cubierto, durante 15 a 30 minutos.
Bistecs, Chuletas, Pescado	0.5-6.0 lbs.	Después de cada etapa, reacomode el alimento. Si hay alguna parte caliente o descongelada, cúbrala con pedacitos finos de papel de aluminio. Saque cualquier alimento que esté casi descongelado. Deje reposar, cubierto, durante 5-10 minutos.
Carne molida	0.5-6.0 lbs.	Después de cada etapa, saque cualquier parte del alimento que esté casi descongelada. Deje reposar la carne, cubierta con papel de aluminio, durante 5-10 minutos.
Pollo entero	2.5-6.0 lbs.	Quite los menudos antes de congelar aves. Comience descongelando con el lado de la pechuga hacia abajo. Después de la primera etapa, gire el pollo y cubra cualquier parte caliente con tiras finas de papel de aluminio. Después de la segunda etapa, vuelva a cubrir cualquier parte caliente con tiras finas de papel de aluminio. Deje reposar, cubierto, durante 30-60 minutos en el refrigerador.

Alimentos	Cantidad estándar	Procedimiento
Trozos de pollo	0.5-6.0 lbs.	Después de cada etapa, reacomode o saque cualquier parte del alimento que esté casi descongelada. Deje reposar durante 10-20 minutos.

CONSEJOS PARA EL DESCONGELAMIENTO

- Cuando utiliza **AUTO DEFROST** (DESCONGELAMIENTO AUTOMÁTICO), el peso que se debe ingresar es el peso neto en libras y décimas de libras (el peso del alimento menos el del recipiente).
- Utilice **AUTO DEFROST** (DESCONGELAMIENTO AUTOMÁTICO) sólo para alimentos crudos. La función **AUTO DEFROST** (DESCONGELAMIENTO AUTOMÁTICO) obtiene mejores resultados cuando los alimentos que se descongelarán están a un mínimo de 0°F (sacados directamente de un auténtico freezer). Si el alimento se almacenó en un refrigerador-freezer que no mantiene una temperatura de 5°F o menos, siempre programe un peso inferior del alimento (durante un tiempo de descongelamiento más reducido) para evitar cocinar el alimento.
- Si el alimento queda hasta 20 minutos fuera del freezer, ingrese un peso inferior del alimento.
- La forma del envase altera el tiempo de descongelamiento. Los paquetes rectangulares chatos se descongelan más rápidamente que un bloque profundo.
- Separe los pedazos a medida que comienzan a descongelarse. Los pedazos separados se descongelan con más facilidad.
- Cubra áreas de los alimentos con pedacitos pequeños de papel de aluminio si comienzan a calentarse.
- Puede utilizar pequeños pedazos de papel de aluminio para proteger alimentos como las alas de pollo, los extremos de las patas y las colas de pescado, pero el papel no debe tocar los laterales del horno. El papel de aluminio produce chispas, lo que puede dañar el revestimiento del horno.
- Deje reposar los alimentos cubiertos durante 15 a 30 minutos.
- Deje que las carnes asadas o las aves enteras reposen de 30 a 60 minutos.

Manual de instrucciones

GUÍA DE COCCIÓN

Guía para cocinar carne en su microondas

- Coloque la carne sobre una asadera para microondas en una fuente para microondas.
- Comience a cocinar la carne con el lado de la grasa hacia abajo. Utilice tiras finas de papel de aluminio para proteger cualquier punta de hueso o área de carne delgadas.
- Verifique la temperatura en varios lugares antes de dejar que la carne repose el tiempo recomendado.
- Las siguientes temperaturas son las temperaturas a las que se sacan los alimentos. La temperatura del alimento aumentará durante el tiempo de reposo.

Alimento	Tiempo de cocción	Nivel de potencia	Instrucciones
Asar bistec sin hueso (Hasta 4 lbs.)	8-12 min./lb. para 145° F (Jugosa)	Alta (10) durante los primeros 5 minutos, luego media (5)	Coloque el lado de la grasa hacia abajo en la asadera. Cubra con papel de cera. Dé vuelta a la mitad del ciclo de cocción. Deje reposar 10 minutos.
	9-13 min./lb. para 160° F (A punto)		
	10-15 min./lb. para 170° F (Bien cocida)		
Cerdo sin hueso o con hueso interno (hasta 4 lbs.)	12-16 min./lb. para 170° F (Bien cocida)	Alta (10) durante los primeros 5 minutos, luego media (5)	Coloque el lado de la grasa hacia abajo en la asadera. Cubra con papel de cera. Dé vuelta a la mitad del ciclo de cocción. Deje reposar 10 minutos.

- Espere un aumento de 10°F en la temperatura durante el tiempo de reposo.

Alimento		Al sacarlo del horno	Después del tiempo de reposo (10 min.)
Carne de vaca	Jugosa	135°F	145°F
	A punto	150°F	160°F
	Bien cocida	160°F	170°F
Carne de cerdo	A punto	150°F	160°F
	Bien cocida	160°F	170°F
Carne de ave	Carne oscura	170°F	180°F
	Carne clara	160°F	170°F

Guía para cocinar carne de ave en su microondas

- Coloque la carne de ave sobre una asadera para microondas en una fuente para microondas.
- Cubra la carne de ave con papel de cera para evitar salpicaduras.
- Utilice papel de aluminio para cubrir las puntas de los huesos, las áreas de carne delgada o las áreas que comienzan a cocinarse demasiado.
- Verifique la temperatura en varios lugares antes de dejar que la carne de ave repose el tiempo recomendado.

Alimento	Tiempo de cocción/Nivel de potencia	Instrucciones
Pollo entero Hasta 4 lbs.	Tiempo de cocción: 7-10 min. / lb. 180°F carne oscura 170°F carne clara Nivel de potencia: Mediana alta (7).	Coloque el lado de la pechuga del pollo hacia abajo en la asadera. Cubra con papel de cera. Dé vuelta a la mitad del ciclo de cocción. Cocine hasta que los jugos sean claros y la carne cerca del hueso ya no sea rosada. Deje reposar 5-10 minutos.
Trozos de pollo Hasta 2 lbs.	Tiempo de cocción: 7-10 min. / lb. 180°F carne oscura 170°F carne clara Nivel de potencia: Mediana alta (7).	Coloque el lado del hueso del pollo hacia abajo en la fuente, con las porciones más gruesas hacia la parte externa del plato. Cubra con papel de cera. Dé vuelta a la mitad del ciclo de cocción. Cocine hasta que los jugos sean claros y la carne cerca del hueso ya no sea rosada. Deje reposar 5-10 minutos.

Manual de instrucciones

Guía para cocinar pescado y mariscos en su microondas

- Cocine el pescado hasta que se pueda desmenuzar fácilmente con un tenedor.
- Coloque el pescado sobre una asadera para microondas en una fuente para microondas.
- Utilice una cubierta ceñida para cocinar el pescado al vapor. Una cubierta más liviana de papel de cera o toalla de papel genera menos vapor.
- No deje que el pescado se pase, contrólole en el tiempo de cocción mínimo.

Alimento	Tiempo de cocción / Nivel de potencia	Instrucciones
Bistecs Hasta 1,5 lbs.	Tiempo de cocción: 7-11 min. / lb. Nivel de potencia: Mediana alta (7)	Acomode los bistecs en la asadera con las porciones más carnosas hacia la parte exterior de la asadera. Cubra con papel de cera. Dé vuelta y reacomode el pescado cuando haya transcurrido la mitad del tiempo de cocción. Cocine el pescado hasta que se pueda desmenuzar fácilmente con un tenedor. Deje reposar 3-5 minutos.
Filetes Hasta 1,5 lbs.	Tiempo de cocción: 4-8 min. / lb. Nivel de potencia: Mediana alta (7)	Acomode los filetes en una fuente para horno, dando vuelta cualquier pedazo finito. Cubra con papel de cera. Si tienen más de ½ pulgada de espesor, délos vuelta y acomódelos en la mitad del tiempo de cocción. Cocine el pescado hasta que se pueda desmenuzar fácilmente con un tenedor. Deje reposar 2-3 minutos.
Camarones Hasta 1,5 lbs.	Tiempo de cocción: 4-6 ½ min. / lb. Nivel de potencia: Mediana alta (7).	Acomode los camarones en una fuente para horno sin superponerlos ni formar capas. Cubra con papel de cera. Cocine hasta que estén firmes y opacos, revolviendo 2 o 3 veces. Deje reposar 5 minutos.

Guía para cocinar huevos en su microondas

- **Nunca** cocine huevos con cáscara y **nunca** caliente los huevos duros con la cáscara; pueden explotar.
- Siempre perfora los huevos enteros para evitar que estallen.
- Cocine los huevos hasta que apenas se endurezcan; quedan duros si se pasan.

Guía para cocinar verduras en su microondas

- Las verduras deben lavarse antes de cocinarlas. Por lo general, no se necesita agua adicional. Si se cocinan verduras densas tales como papas, zanahorias y habichuelas, agregue aproximadamente ¼ taza de agua.
- Las verduras pequeñas (zanahorias rebanadas, arvejas, frijoles, etc.) se cocinarán más rápido que las verduras más grandes.
- Las verduras enteras, tales como las papas, calabazas o mazorca, deben acomodarse en círculo en el plato giratorio antes de cocinarlas. Se cocinarán en forma más pareja si se dan vuelta una vez transcurrida la mitad del tiempo de cocción.
- Siempre coloque las verduras como espárragos y brócoli con los extremos de los tallos apuntando hacia el borde de la fuente y las puntas hacia el centro.
- Cuando cocine verduras cortadas, siempre cubra la fuente con una tapa o envoltorio plástico para microondas con ventilación.
- Las verduras enteras sin pelar tales como las papas, calabaza, berenjenas, etc., deben pincharse en varios lugares antes de cocinarlas para evitar que estallen.
- Para una cocción más pareja, revuelva o reacomode las verduras enteras a la mitad del tiempo de cocción.
- Por lo general, cuanto más densa es la comida, mayor será el tiempo de reposo. (El tiempo de reposo hace referencia al tiempo necesario para que las verduras y los alimentos densos y grandes terminen de cocinarse una vez que salen del horno). Una papa al horno puede reposar en el mostrador durante cinco minutos antes de que se complete la cocción, mientras que una fuente de arvejas puede servirse de inmediato.

Cuidado y limpieza

CUIDADO Y LIMPIEZA

Para un mejor desempeño y mayor seguridad, mantenga el horno limpio por dentro y por fuera. Preste especial cuidado para que el panel interior de la puerta y el marco delantero del horno se mantengan limpios y sin acumulación de restos de alimentos o grasa. Nunca utilice polvos abrasivos o esponjas duras. Limpie el interior y el exterior del horno de microondas, incluyendo la cubierta inferior de la campana, con un paño suave y una solución con detergente suave tibio (no caliente). Luego enjuague y seque. Utilice un limpiador de cromo y limpie las superficies de cromo, metal y aluminio. Limpie de inmediato las salpicaduras con una toalla de papel húmeda, especialmente después de cocinar pollo o tocino. Limpie su horno semanalmente o más a menudo si es necesario.

Siga estas instrucciones para limpiar y cuidar su horno.

- Mantenga limpia la parte interna del horno. Las partículas de alimentos y los líquidos derramados pueden adherirse a las paredes del horno, haciendo que el horno funcione menos eficientemente.
- Limpie los derrames de inmediato. Utilice un paño húmedo y detergente suave. No use detergentes fuertes ni abrasivos.
- Para ayudar a ablandar las partículas de alimentos o líquidos, caliente dos tazas de agua (agregue el jugo de un limón si desea mantener el horno fresco) en un medidor de cuatro tazas a potencia Alta durante cinco minutos o hasta que hierva. Déjelo en el horno durante uno o dos minutos.
- Saque la bandeja de vidrio del horno cuando limpie el horno o la bandeja. Para evitar que la bandeja se rompa, manipúlela con cuidado y no la ponga en agua inmediatamente después de cocinar. Lave la bandeja con cuidado en agua jabonosa tibia o en el lavavajillas.
- Limpie la superficie externa del horno con detergente y un paño húmedo. Séquelo con un paño suave. Para evitar causar daños a las partes operativas del horno, no deje que entre agua en las aberturas.
- Limpie la ventana de la puerta con un detergente muy suave y agua. Asegúrese de utilizar un paño suave para evitar rayarla.
- Si se acumula vapor dentro o fuera de la puerta del horno, límpielo con un paño suave. Se puede acumular vapor cuando el horno funciona con mucha humedad y esto de ninguna manera indica una fuga del microondas.
- Nunca ponga en funcionamiento el horno sin alimentos dentro; esto puede dañar el tubo de magnetrón o la bandeja de vidrio. Puede dejar un vaso de agua en el horno cuando no se use para evitar daños en caso de que el horno se encienda accidentalmente.

Utensilios para cocinar

Uso recomendado

- **Bols y recipientes de vidrio y vidrio-cerámica** — Úselo para calentar o cocinar.
- **Recipiente dorador para microondas** — Úselo para dorar el exterior de alimentos pequeños como, por ejemplo, bistecs, costillas o panqueques. Siga las instrucciones proporcionadas con su Recipiente dorador.
- **Envoltorio de plástico para microondas** — Úselo para retener el vapor. Deje una pequeña abertura para que salga un poco de vapor y evite hacerla directamente sobre el alimento.
- **Papel de cera** — Úselo como tapa para evitar que salpique.
- **Toallas y servilletas de papel** — Úselas para tapar y calentar durante períodos breves ya que absorben el exceso de humedad y evitan que salpique. No utilice toallas de papel reciclado, que pueden contener metal y producir un incendio.
- **Platos y tazas de papel** — Úselos para calentar durante períodos breves a bajas temperaturas. No utilice papel reciclado, que pueden contener metal y producir un incendio.
- **Termómetros** — Use solo aquellos rotulados "Microwave Safe" (Aptos para microondas) y siga las instrucciones. Verifique los alimentos en varios lugares. Los termómetros convencionales pueden usarse una vez que se retiraron los alimentos del horno.

Uso limitado

- **Papel de aluminio** — Use tiras angostas de papel de aluminio para evitar el exceso de cocción de áreas expuestas. El papel de aluminio no debe tener más de 1-2 pulgadas de largo y 1 pulgada de ancho. Usar demasiado papel de aluminio puede dañar su horno, por lo tanto, tenga cuidado.
- **Cerámica, porcelana y cerámica de gres** — Úselas si están rotuladas "Microwave Safe" (Apto para microondas). Si no están rotuladas, pruébelas para asegurarse de que pueden usarse de manera segura. Nunca use recipientes con bordes metálicos.
- **Plástico** — Úselo sólo si está rotulado "Microwave Safe" (Apto para microondas). Otros plásticos pueden derretirse.
- **Paja, mimbre y madera** — Úselos solo para calentar durante períodos breves, dado que son inflamables.

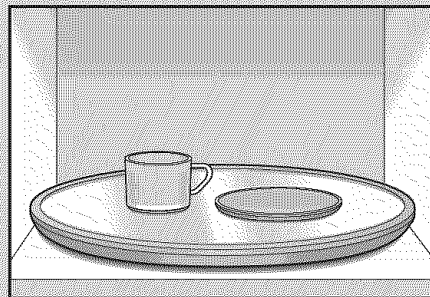
No recomendado

- **Frascos y botellas de vidrio** — El vidrio normal es demasiado delgado para usar en un microondas y puede romperse.
- **Bolsas de papel** — Estas constituyen un peligro de incendio, excepto las bolsas de palomitas de maíz que están diseñadas para ser usadas en microondas.
- **Platos y tazas de Styrofoam** — Pueden derretirse y dejar un residuo nocivo en los alimentos.
- **Almacenamiento de plástico y recipientes para alimentos** — Los recipientes como, por ejemplo, tubos de margarina pueden derretirse en el microondas.
- **Utensilios de metal** — Estos pueden dañar su horno. Retire todos los metales antes de cocinar.

Utensilios de prueba

Si no está seguro de si un recipiente es apto o no para microondas, puede realizar esta prueba:

1. Llene una taza medidora de vidrio con agua y colóquela dentro de su horno, junto al recipiente que desea probar.



2. Oprima el botón **Add 30sec** (Agregar 30 seg) una vez para calentar durante 30 segundos a potencia Alta.

El agua debe estar caliente y el recipiente que está probando debe estar frío. Si el recipiente está caliente, entonces absorbe la energía de microondas y no es apto para usar en este horno.

Solución de problemas

GUÍA DE SOLUCIÓN DE PROBLEMAS

Antes de llamar a un técnico para su horno, verifique esta lista de posibles problemas y soluciones.

No funcionan ni la pantalla del horno ni el horno.

- Inserte correctamente el enchufe a un tomacorriente conectado a tierra.
- Si el tomacorriente está controlado por un interruptor de pared, asegúrese de que el interruptor de pared esté encendido.
- Retire el enchufe del tomacorriente, espere diez segundos y vuelva a enchufarlo.
- Reinicie el disyuntor o reemplace cualquier fusible quemado.
- Enchufe otro artefacto en el tomacorriente; si el otro artefacto no funciona, llame a un electricista calificado para que repare el tomacorriente.
- Enchufe el horno en un tomacorriente diferente.

La pantalla del horno funciona, pero la electricidad no se enciende.

- Asegúrese de que la puerta esté bien cerrada.
- Controle si quedó material de embalaje u otro material en la traba de la puerta.
- Controle que la puerta no esté dañada.
- Oprima la tecla STOP/CLEAR (APAGAR/ANULAR) dos veces y vuelva a ingresar todas las instrucciones de cocción.

El horno se apaga antes de que transcurra el tiempo programado.

- Si no hubo un corte de electricidad, retire el enchufe del tomacorriente, espere diez segundos y vuelva a enchufarlo. Si hubo un corte de electricidad, aparecerá el indicador de la hora:
POR FAVOROPRIMA CLOCK (RELOJ) Y CONFIGURE LA HORA DEL DÍA. Reinicie el reloj y cualquier instrucción de cocción.
- Reinicie el disyuntor o reemplace cualquier fusible quemado.

La comida se cocina demasiado lentamente.

- Asegúrese de que el horno esté en su propio circuito de 20 amp. Poner en funcionamiento otro electrodoméstico en el mismo circuito puede causar una caída de tensión. Si es necesario, enchufe el horno en su propio circuito.

Ve chispas o arco eléctrico.

- Saque cualquier utensilio metálico, artículos de cocina o cierres de metal. Si usa papel de aluminio, utilice sólo tiras pequeñas y deje al menos una pulgada entre el papel de aluminio y las paredes interiores del horno.

El plato giratorio hace ruido o se pega.

- Limpie el plato giratorio, el anillo giratorio y el piso del horno.
- Asegúrese de que el plato y el anillo giratorio estén colocados correctamente.

El uso de su microondas causa interferencia de TV o radio.

- Esto es similar a la interferencia causada por otros artefactos pequeños, como por ejemplo los secadores. Aleje más su microondas de otros electrodomésticos, como su TV o radio.

Nota:

Si el horno está programado para cocinar durante más de 25 minutos, se ajustará automáticamente a una potencia del 70 por ciento después de los 25 minutos para evitar que se pase la comida.

Si tiene algún problema que no puede solucionar, llame a nuestra línea de reparaciones:

1-800-688-9900 en EE.UU.

1-800-688-2002 en Canadá.

Garantía y servicio técnico

Garantía

Garantía limitada de un año – Piezas y mano de obra

Durante **un (1) año** a partir de la fecha original de compra al detal, se reparará o reemplazará gratuitamente cualquier pieza que falle durante el uso normal en el hogar. mano de obra, kilometraje/millaje, transporte, costo del viaje y costo del diagnóstico, si fuese necesario.

Residentes Canadienses

Las garantías anteriores cubren solamente aquellos electrodomésticos instalados en Canadá que han sido certificados o aprobados por las agencias de prueba correspondientes para cumplimiento con la Norma Nacional de Canadá a menos que el electrodoméstico haya sido traído a Canadá desde los EE.UU. debido a un cambio de residencia.

*Las garantías específicas expresadas anteriormente son las **UNICAS** garantías provistas por el fabricante. Estas garantías le otorgan derechos legales específicos y usted puede tener además otros derechos que varían de un estado a otro.*

LA ÚNICA Y EXCLUSIVA SOLUCIÓN PARA EL CLIENTE BAJO ESTA GARANTÍA LIMITADA ES LA REPARACIÓN DEL PRODUCTO SEGÚN SE INDICA AQUÍ. LAS GARANTÍAS IMPLÍCITAS, INCLUYENDO LAS GARANTÍAS DE COMERCIALIZACIÓN O DE APTITUD PARA UN PROPÓSITO EN PARTICULAR ESTÁN LIMITADAS A UN AÑO O AL PERÍODO DE TIEMPO MÍNIMO PERMITIDO POR LA LEY. MAYTAG CORPORATION NO SERÁ RESPONSABLE DE DAÑOS INCIDENTALES O CONSECUENTES. ALGUNOS ESTADOS Y PROVINCIAS NO PERMITEN LA EXCLUSIÓN O LIMITACIÓN DE DAÑOS INCIDENTALES O CONSECUENTES O LA LIMITACIÓN DE LA DURACIÓN DE LAS GARANTÍAS IMPLÍCITAS DE COMERCIALIZACIÓN O APTITUD, POR LO QUE ESTAS EXCLUSIONES O LIMITACIONES PUEDEN NO APLICARSE EN SU CASO. ESTA GARANTÍA LE OTORGA DERECHOS LEGALES ESPECÍFICOS. USTED TAMBIÉN PUEDE TENER OTROS DERECHOS QUE VARÍAN DE UN ESTADO A OTRO O DE UNA PROVINCIA A OTRA.

Lo que No Cubren Estas Garantías:

1. Situaciones y daños resultantes de cualquiera de las siguientes situaciones:
 - a. Instalación, entrega o mantenimiento inapropiados.
 - b. Cualquier reparación, modificación, alteración o ajuste no autorizados por el fabricante o taller de servicio autorizado.
 - c. Mal uso, abuso, accidentes, uso no razonable o hechos fortuitos.
 - d. Corriente, voltaje, suministro eléctrico o suministro de gas incorrectos.
 - e. Ajuste inadecuado de cualquier
2. Las garantías quedan nulas si los números de serie originales han sido retirados, alterados o no se pueden determinar fácilmente.
3. Bombillas, filtros de agua y filtros de aire.
4. Los productos comprados para uso comercial o industrial.
5. El costo del servicio o llamada de servicio para:
 - a. Corregir errores de instalación. Para los productos que requieran ventilación, se deben usar conductos de metal rígido.
 - b. Instruir al usuario en el uso adecuado del producto.
 - c. Transporte del electrodoméstico al establecimiento de servicio y de regreso.
6. Cualquier pérdida de alimentos debido a fallas del refrigerador o congelador.
7. Costos de viaje y transporte de servicio en áreas remotas.
8. Esta garantía no se aplica fuera de los Estados Unidos y Canadá. Póngase en contacto con su distribuidor para determinar si se aplica cualquier otra garantía.
9. Los daños consecuentes o incidentales sufridos por cualquier persona como resultado del incumplimiento de esta garantía. En algunos estados no se permite la exclusión o limitación de daños consecuentes o incidentales, por lo tanto la limitación o exclusión anterior puede no aplicarse en su caso.

Si necesita servicio

Primero revise la sección de localización y solución de averías en su guía de uso y cuidado o llame al distribuidor donde adquirió el electrodoméstico. También puede llamar a Maytag Services LLC, Atención al cliente, al 1-800-688-9900 en EE.UU. y al 1-800-688-2002 en Canadá para ubicar a un agente de servicio calificado.

- Asegúrese de conservar el comprobante de compra para verificar el estado de la garantía. Consulte la sección sobre la GARANTÍA para mayor información sobre las responsabilidades del propietario para obtener servicio bajo la garantía.
- Si el distribuidor o la compañía de servicio no pueden resolver el problema, escriba a Maytag Services LLC, Attn: CAIR® Center, P.O. Box 2370, Cleveland, TN 37320-2370 o llame al **1-800-688-9900 en EE.UU.** y al **1-800-688-2002 en Canadá.**
- Las guías del propietario, manuales de servicio e información sobre las piezas pueden solicitarse a Maytag Services LLC, Atención al cliente.

Notas: Cuando llame o escriba acerca de un problema de servicio, por favor incluya la siguiente información:

- a. Su nombre, dirección y número de teléfono;
- b. Número de modelo y número de serie;
- c. Nombre y dirección de su distribuidor o técnico de servicio;
- d. Una descripción clara del problema que está experimentando;
- e. Comprobante de compra (recibo de compra).