

# KitchenAid® Outdoor Built-In Grill for combustible construction

## PRODUCT MODEL NUMBERS

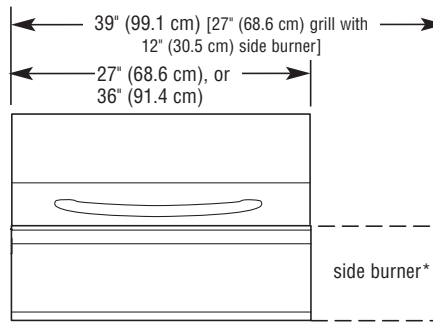
KBGS274L      KBGS364L  
KBGS292L

**Gas supply:** Grills are set for natural gas use and have a pressure regulator with 1/2" female pipe threads. Grills can be converted to L.P. gas. If local codes permit, use a flexible stainless steel tubing gas connector, design-certified and marked "outdoor" by AGA or CSA International, to connect the side burner to the rigid gas supply line. 5/8" diameter line is recommended.

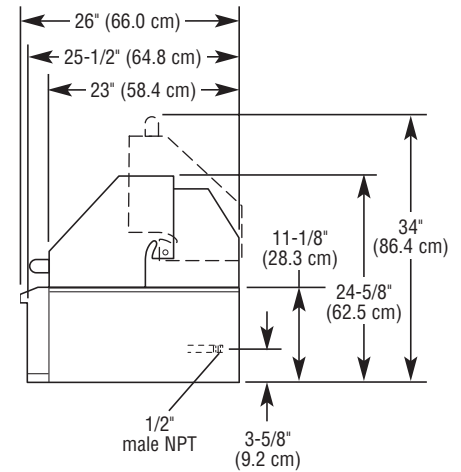
**Electrical supply:** For rotisserie use, a 120-volt, 60-Hz, AC-only, 15-ampere, electrical supply is required.

A minimum of 12" (30.5 cm) must be maintained between the grill hood, sides and back and any combustible construction.

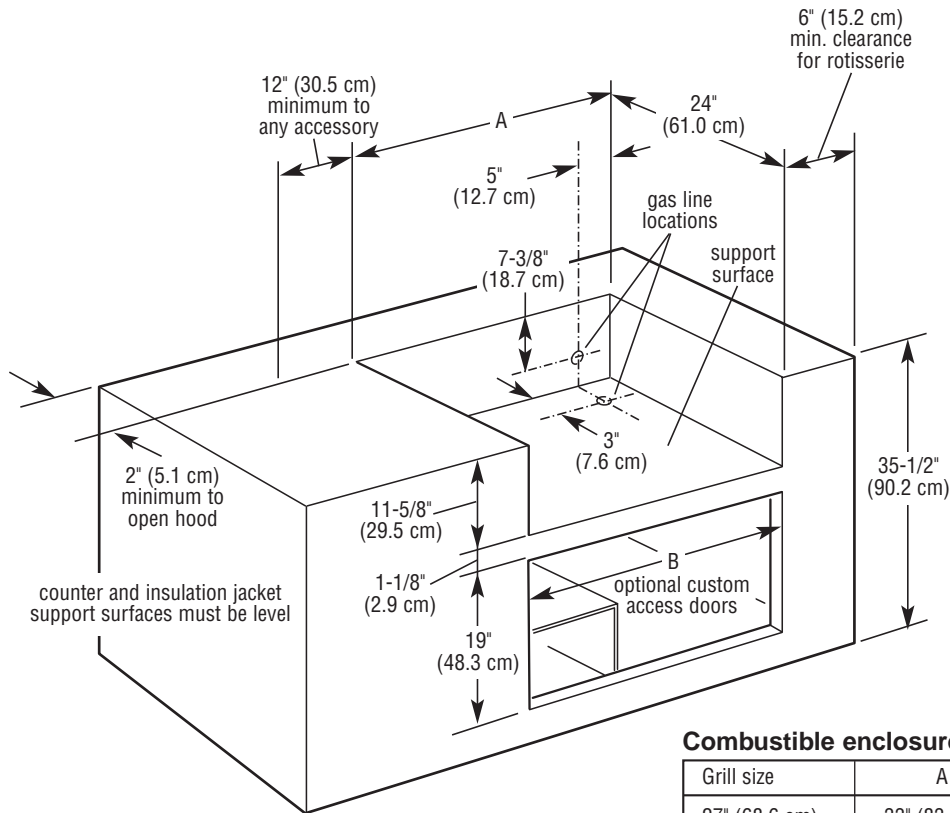
## OVERALL DIMENSIONS



\*Not all models have side burner or side trays.



## CABINET OPENING DIMENSIONS



### Combustible enclosure installations

| Grill size    | A              | B                 |
|---------------|----------------|-------------------|
| 27" (68.6 cm) | 33" (83.8 cm)  | 25-1/4" (64.1 cm) |
| 36" (91.4 cm) | 42" (106.7 cm) | 34-1/4" (87.0 cm) |
| 39" (99.1 cm) | 45" (114.3 cm) | 37-1/4" (94.6 cm) |