
Installation Instructions

Full Size Tumble Action Washers

Before beginning installation, carefully read these instructions. This will simplify the installation and ensure the washer is installed correctly and safely. Leave these instructions near the washer after installation for future reference.

***NOTE:* The electrical service to the washer must conform with local codes and ordinances and the latest edition of the National Electrical Code, ANSI/NFPA 70.**

⚠ WARNING For your safety the information in this manual must be followed to minimize the risk of fire or explosion or to prevent property damage, personal injury or loss of life.

- Do not store or use gasoline or other flammable vapors and liquid in the vicinity of this or any other appliance.

- **WHAT TO DO IF YOU SMELL GAS**

- Do not try to light any appliance.
- Do not touch any electrical switch; do not use any phone in your building.
- Clear the room, building or area of all occupants.
- Immediately call your gas supplier from a neighbor's phone. Follow the gas suppliers instructions.
- If you cannot reach your gas supplier, call the fire department.

Installation and service must be performed by a qualified installer, service agency or the gas supplier.

Contents

<u>SUBJECT</u>	<u>PAGE</u>
Pre-Installation Requirements	2
Electrical Requirements	2
Grounding Requirements	2
Water Supply Requirements	2
Drain Requirements	2
Rough-In Dimensions	3
Location Of Your Washer	4
Unpacking	4
Installation	4-6
Replacement Parts	6

PRE-INSTALLATION REQUIREMENTS

Tools Required for Installation:

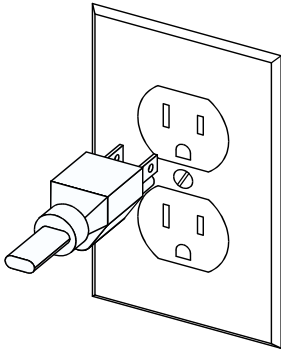
1. Phillips screwdriver
2. 10 mm socket with ratchet.
3. Channel-lock adjustable pliers.
4. Carpenter's level.

ELECTRICAL REQUIREMENTS

CIRCUIT - Individual, properly polarized and grounded 15 amp. branch circuit fused with 15 amp. time delay fuse or circuit breaker.

POWER SUPPLY - 2 wire, with ground, 120 volt, single phase, 60 Hz, Alternating Current. **NOTE:** The use of this washer with power created by gas powered generators, solar powered generators, wind powered generators or any other generator other than the local utility company is not recommended.

OUTLET RECEPTACLE - Properly grounded 3-prong receptacle to be located so the power supply cord is accessible when the washer is in an installed position.



NOTE: GFI (Ground Fault Interrupter) receptacle is not required.

GROUNDING REQUIREMENTS

⚠ WARNING Improper connection of the equipment grounding conductor can result in a risk of electrical shock. Check with a licensed electrician if you are in doubt as to whether the appliance is properly grounded.

1. The washer **MUST** be grounded. In the event of malfunction or breakdown, grounding will reduce the risk of electrical shock by a path of least resistance for electrical current.
2. Since your washer is equipped with a power supply cord having an equipment-grounding conductor and a grounding plug, the plug **MUST** be plugged into an appropriate, copper wired receptacle that is properly installed and grounded in accordance with all local codes and ordinances or in the

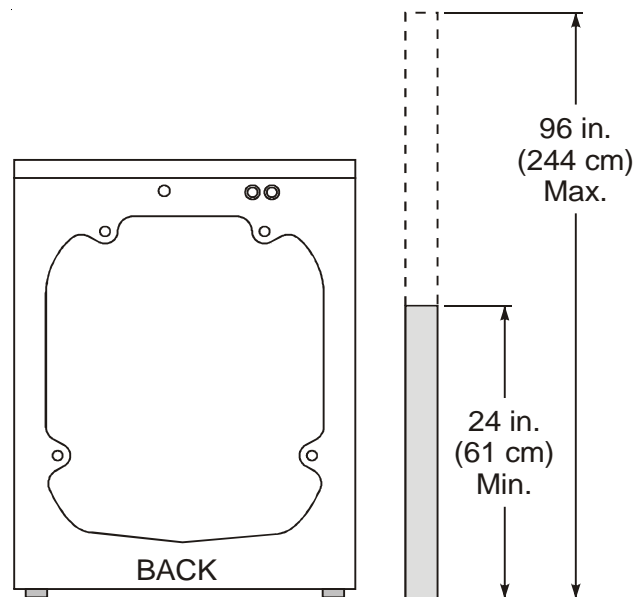
absence of local codes, with the National Electrical Codes, ANSI/NFPA 70 (latest edition). If in doubt, call a licensed electrician. **DO NOT** cut off or alter the grounding prong on the power supply cord. In situations where a two-slot receptacle is present, it is the owner's responsibility to have a licensed electrician replace it with a **properly grounded** three prong grounding type receptacle.

WATER SUPPLY REQUIREMENTS

Hot and cold water faucets **MUST** be installed within 42 inches (107 cm) of your washer's water inlet. The faucets **MUST** be 3/4 inch (1.9 cm) garden hose type so inlet hoses can be connected. Water pressure **MUST** be between 30 and 120 pounds per square inch (maximum unbalance pressure, hot vs. cold, 10 psi.) Your water department can advise you of your water pressure. The hot water temperature should be about 140 degrees F (60 degrees C).

DRAIN REQUIREMENTS

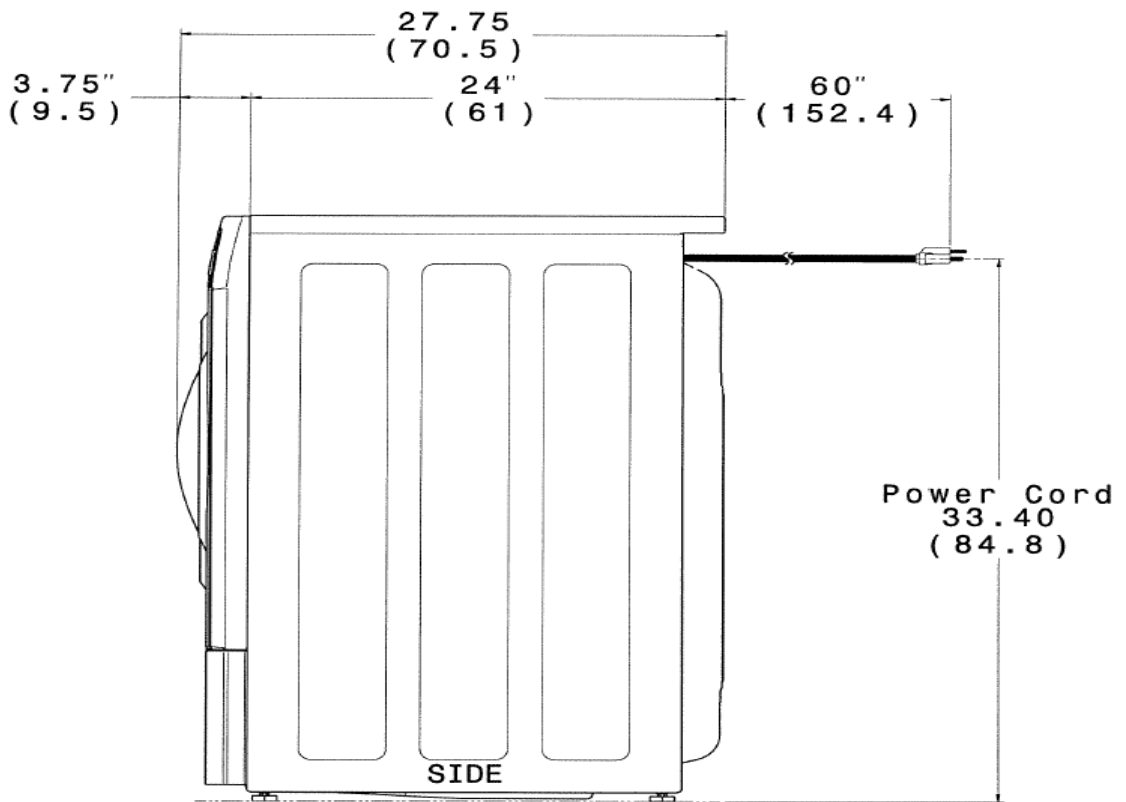
1. Drain capable of eliminating 17 gals (64.3 L) per minute.
2. A standpipe diameter of 1-1/4 in. (3.18 cm) minimum.
3. The standpipe height above the floor should be:
Minimum height: 24 in. (61 cm)
Maximum height: 96 in. (244 cm)



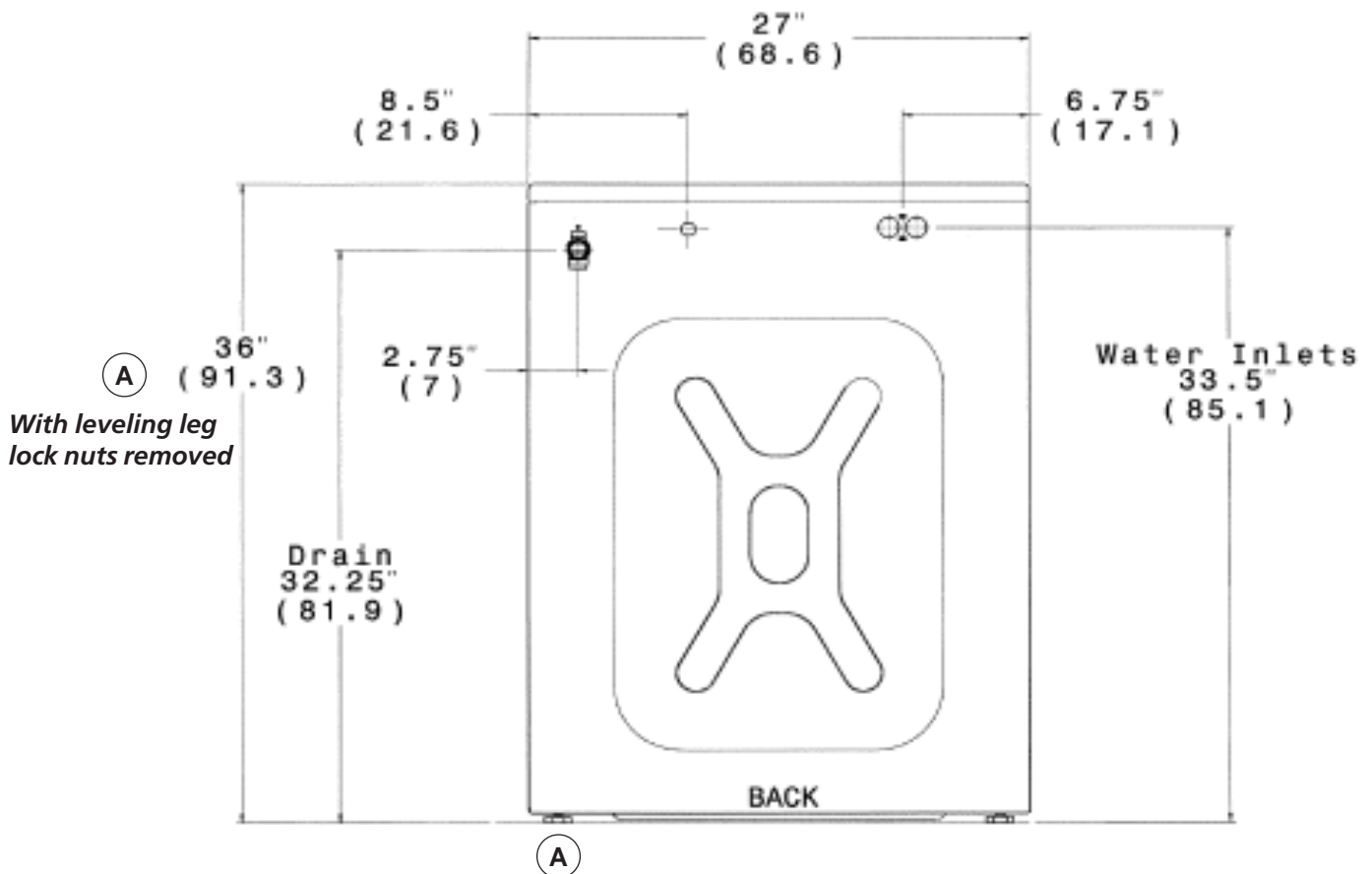
NOTE:

Drain hose attached to the washer can reach a 90 in. (229 cm) high standpipe. For higher standpipe, use hose P/N **134369410**, available from an authorized parts distributor.

ROUGH-IN DIMENSIONS



NOTE: For pedestal or undercounter installation, reference page 5 "Installation".



*With leveling leg
lock nuts removed*

LOCATION OF YOUR WASHER

DO NOT INSTALL YOUR WASHER:

1. In an area exposed to dripping water or outside weather conditions. The ambient temperature should never be below 60 ° F (15.6 ° C) for proper washer (detergent breakdown) operation.
2. In an area where it will come in contact with curtains or drapes.
3. In an area (garage or garage-type building) where gasoline or other flammables are kept or stored (including automobiles).
4. On carpet. Floor **MUST** be solid with a maximum slope of 1/2 in. per foot (1.27 cm per 30.5 cm). To ensure vibration or movement does not occur, reinforcement of the floor may be necessary.

IMPORTANT

MINIMUM INSTALLATION CLEARANCES

When installed in alcove or closet:

Sides, Rear = 0 in. (0 cm)

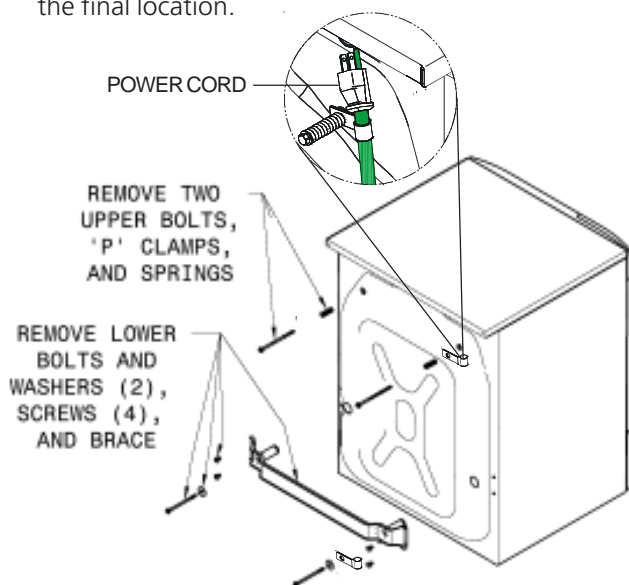
Top = 0 in. (0 cm)

When installed in closet: Front = 1 in. (2.54 cm)

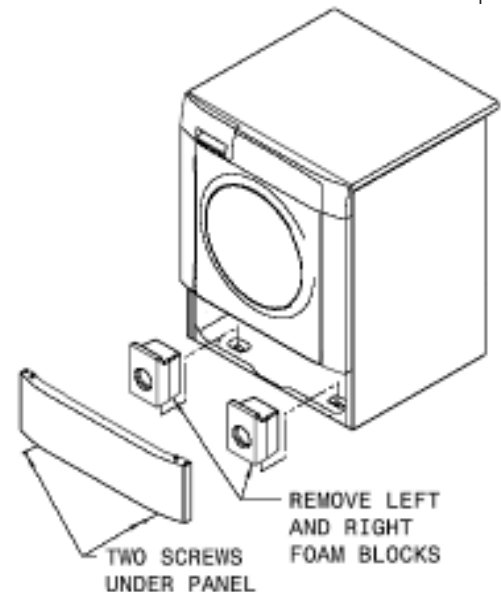
Closet door ventilation required: 2 louvered openings each 60 in² (387 cm²), 3 in. (7.6 cm) from top and bottom of door.

UNPACKING

1. Cut the shipping carton along the dotted line along the base of the unit.
2. While in the carton carefully lay the washer on its back side.
3. Remove the styrofoam base.
4. Carefully return the washer to an upright position and remove the carton.
5. Carefully move the washer to within 4 feet (122cm) of the final location.



6. Remove the following from the back panel of the washer: 4 packaging bolts, 2 packaging springs, 2 washers, 2 metal "P" clamps, 4 screws, 1 packaging brace.
7. Remove the 4 transport plugs from the literature pack and install them in the corresponding holes in the back panel of the washer.
8. Remove the 4 small hole plugs from the literature pack and install them in the side panel holes vacated by the packaging brace.
9. Using the shipping posts, prop up the front of the washer approximately 2 inches to gain access to the service panel screws.
10. Remove the 2 screws and remove the service panel.



11. Remove the two (2) styrofoam blocks located under the drum (a yellow ribbon surrounds the items to be removed). Lift up on the drum, tilt the base of the foam blocks inwards toward the rear of the washer until free, then pull them out.
12. Remove and discard the yellow ribbon from the front of the washer.
13. Replace the service panel and screws.

NOTE: If the washer is to be transported at a later date, the shipping support hardware must be reinstalled to prevent shipping damage.

Drain Hose Installation

The drain hose is field installed to allow hose orientation to the left or right, up or down depending on location of the house drain. The hose is shipped in the washer tub with the spring clamp on the coupler elbow and drain hose hanger installed on the end of the hose.

1. Remove the drain hose from the tub of the washer.
2. Push the hose onto the drain coupler at the upper left of the washer back panel until the hose contacts the STOP RIB.

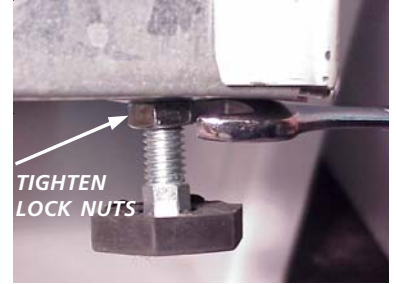
INSTALLATION

Leveling the Washer

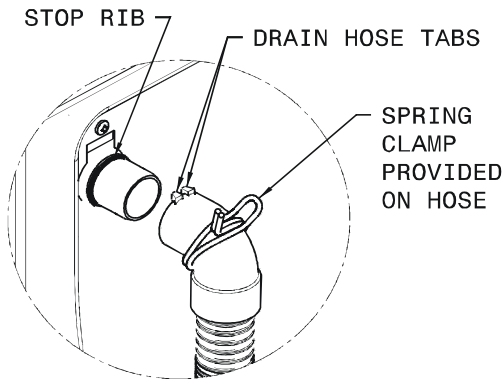
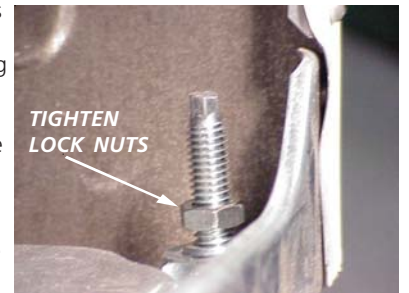
Excessive noise and vibration can be prevented by properly leveling the washer and tightening the leveling leg lock nuts.

1. For free standing installation and with the washer in it's final position, place a level on top of the washer. Adjust the leveling legs so the washer is level front-to-rear and side-to-side, and stable corner-to-corner. Press down on alternate corners and sides and feel for the slightest movement. Adjust the appropriate leg so the washer is **SOLID** on the floor on **ALL** four legs. Keep the leveling leg extension at a minimum for best performance of the washer.

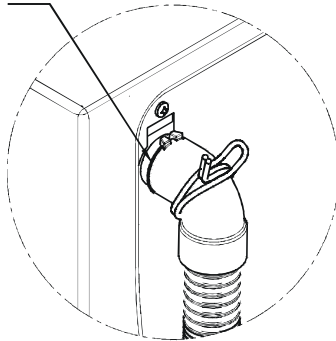
Once the unit is level and stable in it's final position, turn the leveling leg lock nuts against the base of the washer and tighten with a wrench.



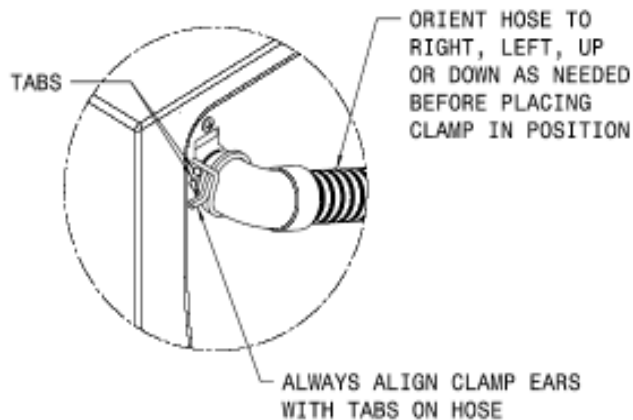
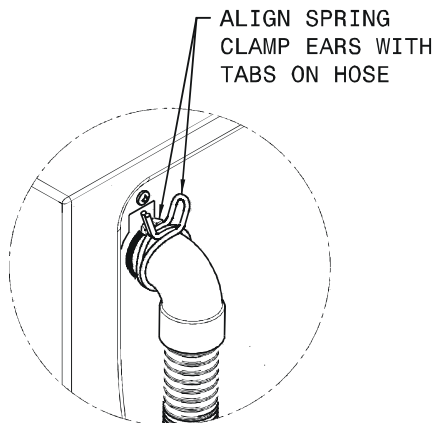
2. For pedestal installations, remove the locknuts from each of the washer legs. Reinstall each leg threading all the way into the base (turn each leg tight to the base) before mounting on the pedestal. See additional installation instructions included with the pedestal.
3. For undercounter installations the locknuts may need to be removed before installing. Before installing, verify there is enough clearance for the washer to be installed with the locknuts included. If space is not available, remove the locknuts from the leveling legs and reinstall each leg by threading all the way until tight in the base. Remove the front service panel and reinstall the locknuts on top of the front (2) leveling legs inside the washer and tighten against the leveling leg bushings once the unit is in it's final position.



PUSH HOSE ONTO COUPLER TO STOP RIB



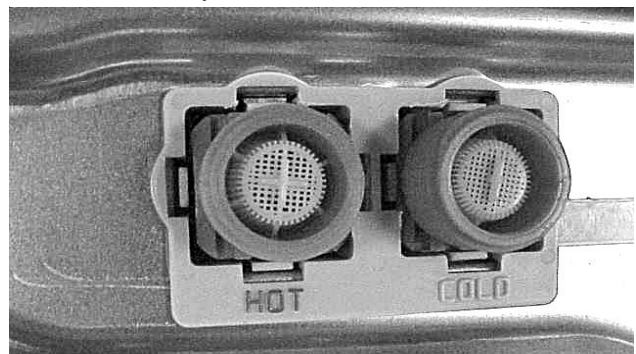
3. Using pliers, squeeze the ears of the spring clamp and position the clamp so the clamp ears align with and contact the tabs on the drain hose. This assures proper location of the clamp to prevent leaks.

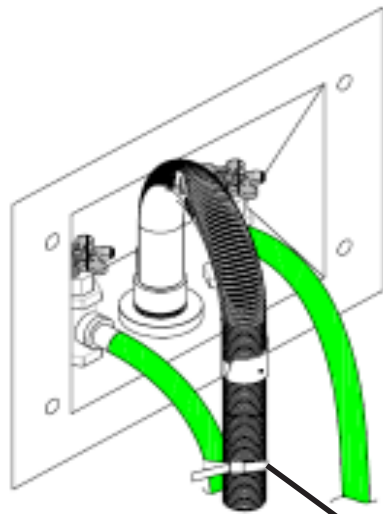


Washer Connections

1. Run some water from the hot and cold faucets to flush the water lines and remove particles that might clog up the water valve screens.
2. Remove the inlet hoses and rubber washers from the plastic bag located in the drum of the washer and install the rubber washers in each end of the inlet hoses.
3. Carefully connect the inlet hose marked "HOT" to the outside "H" outlet of the water valve. Tighten by hand, then tighten another 2/3 turn with pliers. Carefully connect the other inlet hose to the inside "C" outlet of the water valve. Tighten by hand, then tighten another 2/3 turn with pliers. **Do not crossthread or over-tighten these connections.**
4. Connect the inlet hose ends to the HOT and COLD water faucets tightly by hand, then tighten another 2/3 turn with pliers. Turn the water on and check for leaks.

NOTE: Use only new hoses.

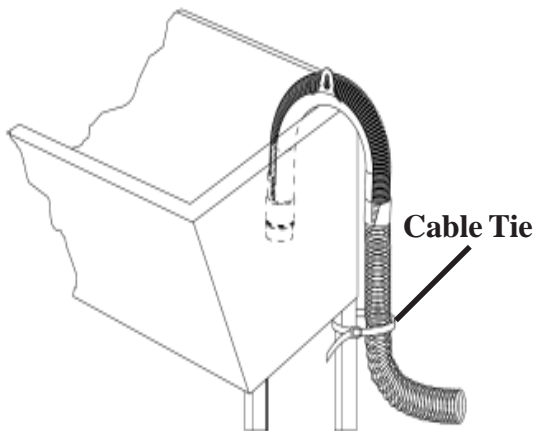




Cable Tie



Cable Tie



Cable Tie

INSTALLATION (CON'T)

5. Place the hook end of the drain hose in the drain opening. Secure the drain hose with the cable tie (provided in the enclosure package) to the standpipe, inlet hose, laundry tub, etc. so the hose does not pull out from the force of the water.
6. Plug the power cord into a grounded outlet.
NOTE: Check to ensure the power is off at a circuit breaker/fuse box before plugging the power cord into an outlet.
7. Turn on the power at a circuit breaker/fuse box.
8. Read the Operating Instructions and Owner's Guide provided with the washer. They contain valuable and helpful information that will save you time and money.
9. Run the washer through a complete cycle. Check for water leaks and proper operation.
10. If your washer does not operate, please review the "Avoid Service Checklist" in your Owner's Guide before calling for service.
11. Place these instructions in a location near the washer for future reference.

NOTE: A wiring diagram and technical data sheet are located in an envelope attached to the left hand side panel on the inside of the washer.

Pedestal

A pedestal accessory, **Model No. NLPWD15**, specifically designed for this washer may be used when elevating the washer for ease of use. Failure to use accessories certified by the manufacturer could result in personal injury, property damage or damage to the washer.

REPLACEMENT PARTS

If replacements parts are needed for your washer, contact the source where you purchased your washer, call 1-800-944-9044, or visit our website, www.frigidaire.com, for the Frigidaire Company Authorized Parts Distributor nearest you.

⚠ WARNING Destroy the carton and plastic bags after the washer is unpacked. Children might use them for play. Cartons covered with rugs, bedspreads, or plastic sheets can become airtight chambers causing suffocation. Place all materials in a garbage container or make materials inaccessible to children.

⚠ WARNING The instructions in this manual and all other literature included with this washer are not meant to cover every possible condition and situation that may occur. Good safe practice and caution **MUST** be applied when installing, operating and maintaining any appliance.

Maximum benefits and enjoyment are achieved when all the Safety and Operating instructions are understood and practiced as a routine with your laundering tasks.

Instrucciones para la instalación

Lavadora de acción giratoria de tamaño grande

Antes de comenzar la instalación, lea estas instrucciones con atención. Le facilitarán la instalación y asegurarán que la lavadora sea instalada correctamente y de manera segura. Guarde estas instrucciones cerca de la lavadora una vez terminada la instalación para referirse a ellas en el futuro.

NOTA: *el suministro eléctrico de su lavadora debe estar conforme con los códigos y ordenanzas locales y la edición más reciente del National Electrical Code (Código Eléctrico Nacional), ANSI/NFPA 70.*

⚠ ADVERTENCIA Para su seguridad, siga la información contenida en este manual para minimizar el riesgo de incendio o explosión o para evitar daños materiales, lesiones personales o la muerte.

- No guarde ni utilice gasolina u otros vapores y líquidos inflamables en las cercanías de este ni cualquier otro electrodoméstico.

- QUE HACER SI NOTA UN OLOR A GAS:

- No trate de encender ningún electrodoméstico.
- No toque ningún interruptor eléctrico; no use ningún teléfono de su edificio.
- Haga que todo el mundo salga del cuarto, edificio o área.
- Llame inmediatamente al proveedor del gas desde el teléfono de un vecino. Siga las instrucciones del proveedor del gas.
- Si no puede ponerse en contacto con el proveedor del gas, llame a los bomberos.

La instalación y el servicio deben ser hechos por un instalador capacitado, una agencia de servicios o el proveedor del gas.

Indice

<i>TITULO</i>	<i>PAGINA</i>
Requisitos antes de la instalación	2
Requisitos eléctricos	2
Requisitos para la toma de tierra	2
Requisitos para el suministro de agua	2
Requisitos para el drenaje	2
Dimensiones para la instalación	3
Ubicación de su lavadora	4
Desempaque	4
Instalación el Tubo de Drenaje	4-5
Instalació	5-6
Piezas de repuesto	6

REQUISITOS ANTES DE LA INSTALACION

Herramientas necesarias para la instalación:

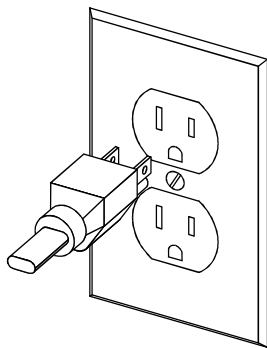
1. Destornillador Phillips
2. Casquillo con trinquete de 10mm
3. Alicates ajustables Channel-lock
4. Nivel de carpintero

REQUISITOS ELECTRICOS

CIRCUITO - Circuito derivado individual, correctamente polarizado y con toma de tierra, de 15 amperios con fusible de 15 amperios con retardo o disyuntor.

ALIMENTACION ELECTRICA - Corriente alterna monofásica, 60 Hz, 120 voltios, bifilar, con toma de tierra. NOTA: El uso del lavadora con energía de generador de gas, generador de solar, generador de viento, o cualquier otros generador con excepción de le central eléctrica no es recomendar.

TOMACORRIENTES - El tomacorrientes con 3 orificios y toma



de tierra correcta, debe estar ubicado de manera que el cable eléctrico sea accesible cuando la lavadora esté instalada. NOTA: GFI (Ground Fault Interrupter) receptáculo no es requerido.

REQUISITOS PARA LA TOMA DE TIERRA

⚠ ADVERTENCIA La conexión incorrecta del conductor de toma de tierra de este equipo puede causar un riesgo de descargas eléctricas. Consulte a un electricista licenciado si no está seguro si el electrodoméstico está bien conectado a tierra.

1. La lavadora **DEBE** ser conectada a una toma de tierra. En caso de un mal funcionamiento o una falla, la toma de tierra reduce el riesgo de descargas eléctricas proporcionando a la corriente eléctrica una vía con menos resistencia.
2. Ya que su lavadora está equipada con un cable eléctrico que lleva un conductor para toma de tierra y un enchufe para toma de tierra, el enchufe **DEBE** ser insertado en un tomacorrientes adecuado, con hilos de cobre, que esté instalado y conectado a tierra

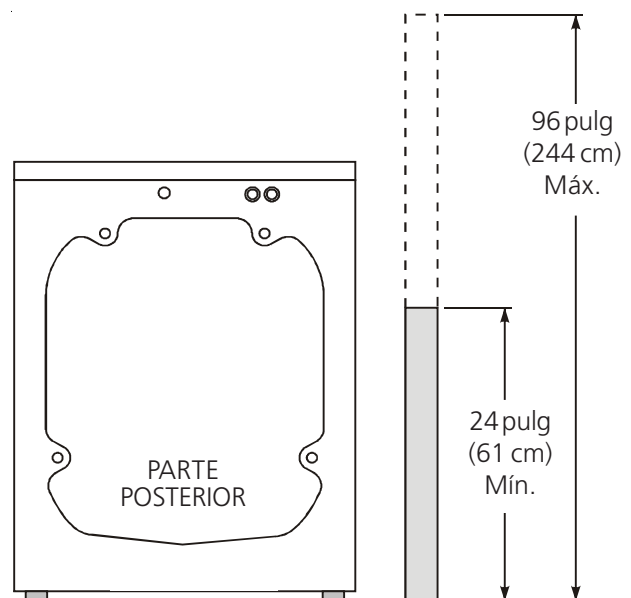
según todos los códigos y ordenanzas locales, o si no existen códigos locales, con los National Electrical Codes (Códigos Eléctricos Nacionales), ANSI/NFPA 70 (la edición más reciente). Si no está seguro, llame a un electricista licenciado. **NO** corte ni modifique la clavija de toma de tierra del cable eléctrico. En casos en que sólo haya un tomacorrientes de dos orificios, será responsabilidad del propietario hacer que un electricista licenciado lo cambie por un tomacorrientes de 3 orificios **con la toma de tierra adecuada**.

REQUISITOS PARA EL SUMINISTRO DE AGUA

Las llaves de agua caliente y fría **DEBEN** estar instaladas a menos de 42 pulgadas (107 cm) de la toma de agua de la lavadora. Las llaves **DEBEN** ser del tipo manguera de jardín de 3/4 de pulgada (1,9 cm) para que se les puedan conectar los tubos de entrada de agua. La presión del agua **DEBE** estar entre 10 y 120 libras por pulgada cuadrada (presión máxima de desequilibrio, caliente contra fría, 10 libras por pulgada cuadrada). Su compañía de suministro de agua puede decirle cuál es la presión del agua. La temperatura del agua caliente debe ser de unos 120 grados F (49 grados C).

REQUISITOS PARA EL DRENAJE

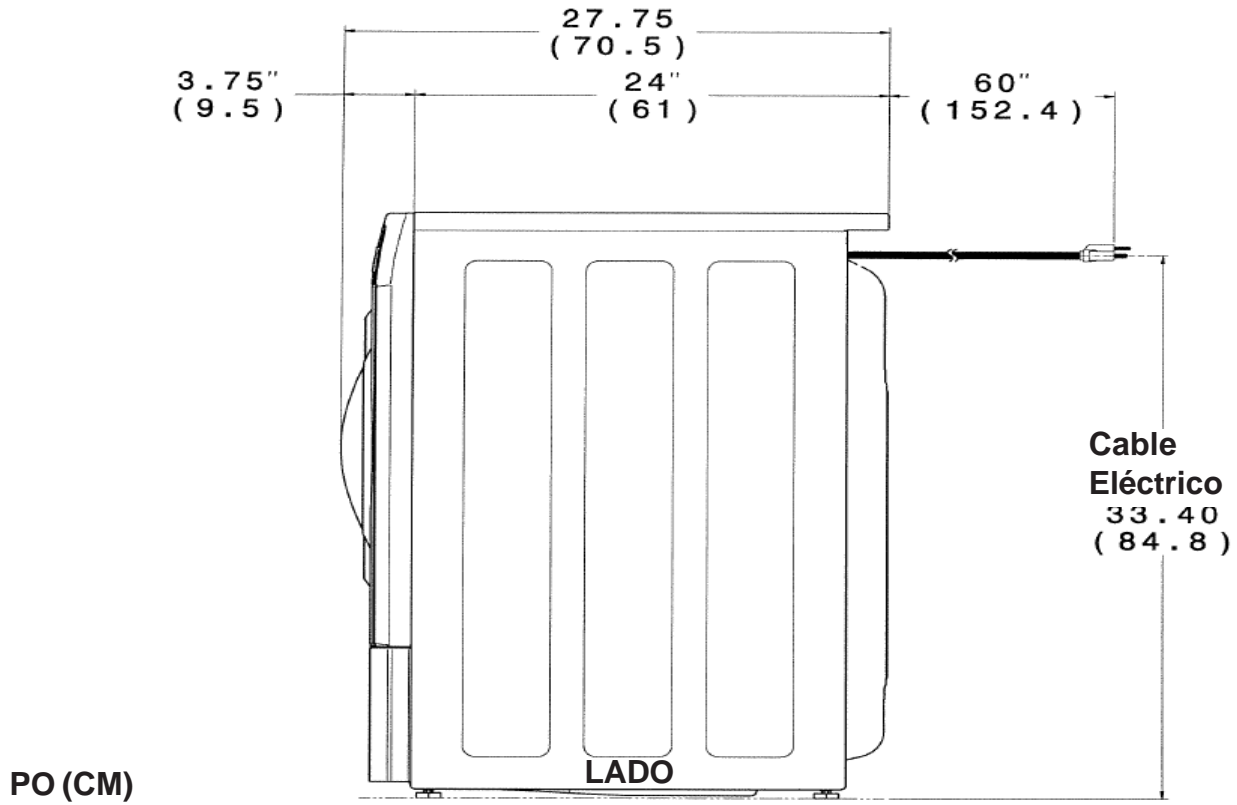
1. Drenaje que pueda eliminar 17 galones (64,3 L) por minuto.
2. Diámetro de la tubería vertical de 1-1/4 pulgadas (3,18 cm) como mínimo.



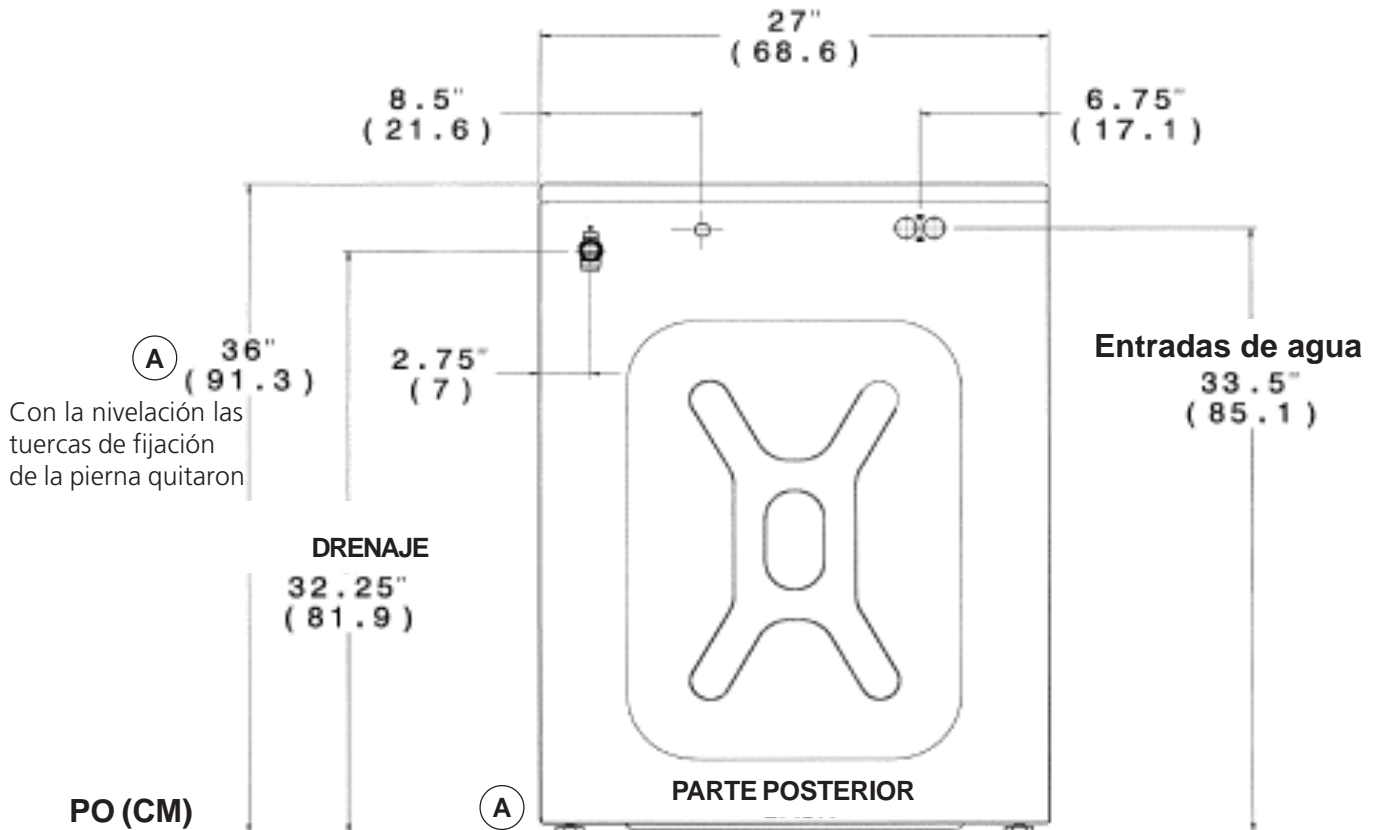
NOTA:

El tubo de drenaje conectado a la lavadora puede llegar a una tubería vertical de 90 pulgadas (229 cm). Para una tubería vertical más alta, use el tubo con N° de pieza 134369410, disponible en distribuidores autorizados de piezas.

DIMENSIONES PARA LA INSTALACION



NOTA: Para la instalación del pedestal o del undercounter, página 5 de la referencia "instalación".



UBICACION DE SU LAVADORA

NO INSTALE SU LAVADORA:

1. En un área expuesta a goteos de agua o a la intemperie. La temperatura ambiente nunca deberá estar por debajo de los 60 grados F (15,6 C) para que su lavadora funcione correctamente.
2. En un área donde estará en contacto con persianas o cortinas.
3. En un área (garaje o construcción similar) donde haya o se almacene gasolina u otros productos inflamables (inclusive automóviles).
4. Sobre una alfombra. El piso **DEBE** ser duro con una inclinación máxima de 1/2 pulgada por pie (1,27 cm por cada 30,5 cm). Para asegurarse de que no existan vibraciones ni ruidos, puede ser necesario reforzar el piso.

IMPORTANTE DESPEJES MINIMOS DE INSTALACION

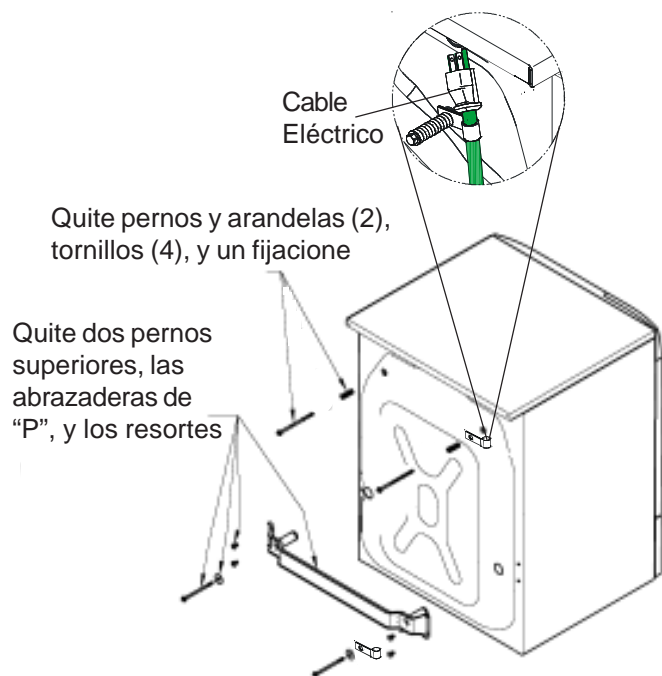
Instalación en una alcoba: Lados, Parte Trasera, Parte Superior = 0 cm (0 pulg.)

Instalación en un armario: Lados, Parte Trasera, Parte Superior = 0 cm (0 pulg.), Parte Delantera = 2.54 cm (1 pulg.)

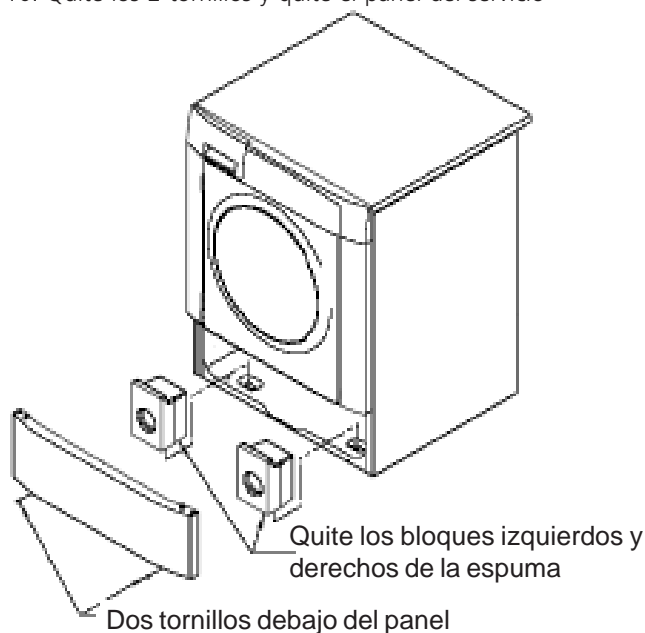
Aberturas de ventilación requeridas en la puerta del armario: Dos rejillas de ventilación cada 387 cm² (60 pulg.²) - 7.6 cm (3 pulg.) desde la parte inferior y superior de la puerta.

DESEMPAQUE

1. Corte la caja de envío a lo largo de la línea punteada en la base del aparato.
2. Con la lavadora todavía en la caja, colóquela con cuidado sobre su parte posterior.
3. Saque la base de espuma.
4. Con cuidado, vuelva a colocar la lavadora en posición vertical y saque la caja.
5. Con cuidado, mueva la lavadora a unos 4 pies (122cm) de su ubicación definitiva.



6. Saque lo siguiente de la parte posterior de la lavadora:
 - 4 pernos
 - 2 resorte
 - 3 abrazaderas de presión a librar cordón
 - 2 arandelas
 - 1 fijación
 - 4 tornillos
7. Quite los 4 tapóns del transporte del paquete de la literatura e instálelos en los agujeros correspondientes en el panel trasero de la lavadora.
8. Quite los 4 tapóns pequeños del agujero del paquete de la literatura e instálelos en los agujeros del panel lateral desocupados por el fijación de empaquetado.
9. Usando los postes del envío, el apoyo encima del frente del aproximadamente 2 de la arandela avanza a poquitos para acceder a los tornillos del panel del servicio.
10. Quite los 2 tornillos y quite el panel del servicio

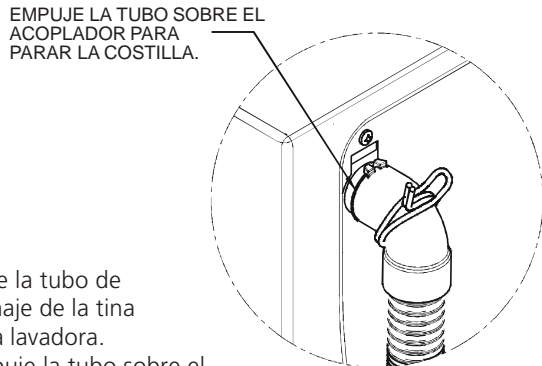
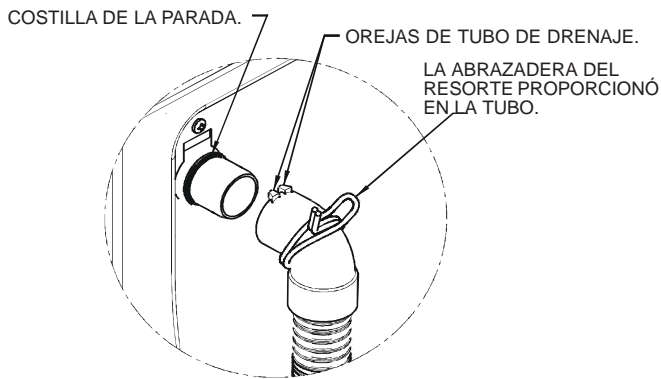


11. Quite el dos (2) bloques del styrofoam situados debajo del tambor (una cinta amarilla rodea los artículos que se quitarán). Levante para arriba en el tambor, incline la base de los bloques de la espuma hacia adentro hacia la parte posterior de la lavadora hasta libre, después saquélo.
12. Saque y deseche la cinta amarillo de la parte delantera de la lavadora.
13. Vuelva a colocar el panel de servicio y los tornillos.

NOTA: En caso de que la lavadora tiene que estar transportada en el futuro, es necesario que vuelva a instalar la quincalla de la fijación de expedición para impedir daños a la lavadora durante la expedición.

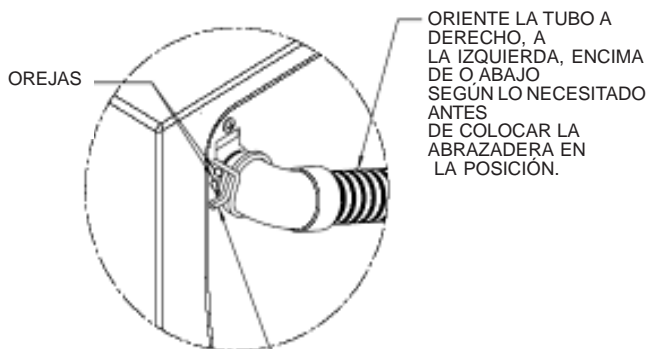
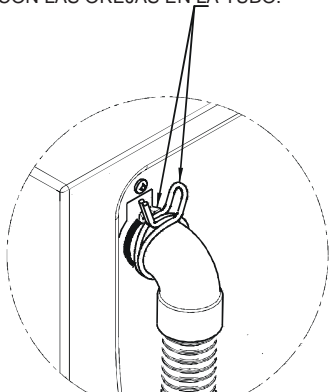
Instalación el Tubo de Drenaje

La tubo de drenaje campo instalado para permitir la orientación de la tubo el al izquierdo o derecho, encima o abajo dependiendo de la localización del dren de la casa. La tubo se envía en la tina de la lavadora con la abrazadera del resorte en la suspensión de la tubo del codo y de drenaje del acoplador instalada en el extremo de la tubo.



1. Quite la tubo de drenaje de la tina de la lavadora.
2. Empuje la tubo sobre el acoplador del dren en el alto a la izquierda del panel de la lavadora detrás hasta que la tubo entra en contacto con la COSTILLA de la PARADA.
3. Con los alicates, exprima los oídos de la abrazadera del resorte y coloque la abrazadera así que los oídos de abrazadera alinean con y entran en contacto con las orejas en la de tubo de drenaje. Esto asegura la localización apropiada de la abrazadera para prevenir los escapes.

ALINEE LOS OÍDOS DE ABRAZADERA DEL RESORTE CON LAS OREJAS EN LA TUBO.



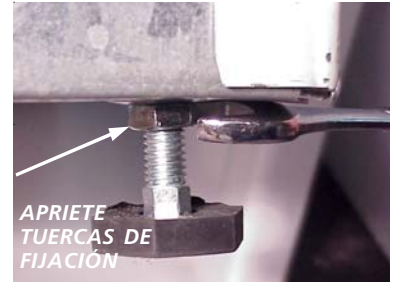
ALINEE SIEMPRE LOS OÍDOS DE ABRAZADERA DEL RESORTE CON LAS OREJAS EN LA TUBO.

Instalación

La nivelación del ruido y de la vibración excesivos de la lavadora puede ser prevenida correctamente nivelando la lavadora y apretando las tuercas de fijación de nivelación de la pierna.

1. Para la instalación derecha libre y con la lavadora en ella está la posición final, pone un nivel encima de la lavadora. Ajuste las piernas de nivelación así que la lavadora es, y esquina-a-esquina estable de adelante hacia atrás y de lado a lado llana. Presione abajo en esquinas y lados alternos y siéntase para el movimiento más leve. Ajuste la pierna apropiada así que la arandela es SÓLIDA en el piso en las cuatro piernas. Guarde la extensión de nivelación de la pierna en un mínimo para el mejor funcionamiento de la lavadora.

Una vez que la unidad sea llana y el establo en él es posición final, dé vuelta a las tuercas de fijación de nivelación de la pierna contra la base de la lavadora y apriete con una llave.



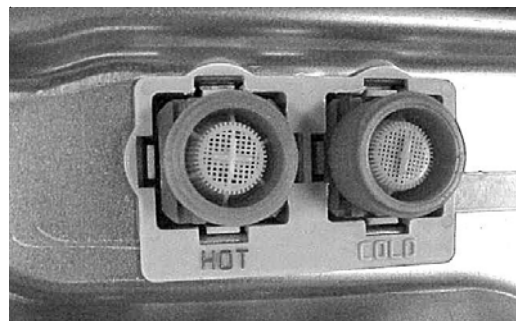
2. Para las instalaciones del pedestal, quite las tuercas de fijación de cada uno de las piernas de la lavadora. Reinstale pierna que rosca toda la manera en la base (dé vuelta a cada pierna apretada a la base) antes de montar en el pedestal. Vea las instrucciones de instalación adicionales incluidas con el pedestal.
3. Para las instalaciones del undercounter las tuercas de fijación pueden necesitar ser quitado antes de instalar. Antes de instalar, verifique que hay bastante separación para que la lavadora sea instalada con las tuercas de fijación incluidas. Si el espacio no está disponible, quite las tuercas de fijación de las piernas de nivelación y reinstale pierna roscando toda la manera hasta que firmemente en la base. Quite el panel delantero del servicio y reinstale las tuercas de fijación encima del (2) delantero que nivelan las piernas dentro de la lavadora y apriete contra los bujes de nivelación de la pierna una vez que la unidad esté en ella sea posición final.



CONEXIONES DE LA LAVADORA

1. Deje correr un poco agua de las llaves de agua caliente y fría para vaciar las líneas y eliminar las partículas que pueden obstruir las rejillas de las válvulas de agua.
2. Examine los tubos de entrada de agua para asegurarse de que las arandelas de caucho estén instaladas en cada extremo.
3. Conecte con cuidado los tubos de entrada a la válvula de agua (en la lavadora) CALIENTE con de salida "H", apriete a mano y luego apriete 2/3 de vuelta con unos alicates. Conecte con cuidado los tubos de entrada a la válvula de agua (en la lavadora) FRÍA con de salida "C", apriete a mano y luego apriete 2/3 de vuelta con unos alicates.
4. Conecte los extremos del tubo de entrada a las llaves de agua CALIENTE y FRÍA apretando bien a mano, y apriete otros 2/3 de vuelta con los alicates. Abra el agua y compruebe que no haya fugas.

NOTA: Utilice solamente las nuevas mangueras provistas con éste electrodomestico.



Instalación (Con't)

5. Ponga el extremo del gancho de la tubo de drenaje en la abertura del dren. Asegure la tubo de drenaje con la atadura de cables (proporcionada en el paquete del recinto) a la columna de alimentación, la tubería de la entrada, la tina del lavadero, el etc. así que la tubo no se saca de la fuerza del agua.
6. Enchufe el cable en un tomacorrientes con toma de tierra.
NOTA: Asegúrese de que la corriente esté cortada en el disyuntor/caja de fusibles antes de enchufar el cable en el tomacorrientes.
7. Encienda la corriente en el disyuntor/caja de fusibles.
8. Lea las Instrucciones para el funcionamiento y la Guía del propietario incluidas con la lavadora. Contienen información valiosa y útil que le ahorrará tiempo y dinero.
9. Haga funcionar la lavadora durante un ciclo completo. Compruebe que no haya fugas de agua y que funcione correctamente.
10. Si su lavadora no funciona, lea la "Lista de comprobación para evitar el servicio" que se encuentra en la Guía del propietario, antes de llamar al servicio técnico.
11. Guarde estas instrucciones en un lugar cercano a la lavadora para poder referirse a ellas en el futuro.

NOTA: Dentro de la lavadora, en el panel de servicio, se encuentra un diagrama de cableado.

Pedestal

Un accesorio del pedestal diseño, **Número de Modelo NLPWD15**, específicamente para esta lavadora puede ser utilizado al elevar la lavadora para la facilidad de empleo. La falta de utilizar los accesorios certificados por el fabricante podría dar lugar a daños corporales, a daños materiales, o a daño a la lavadora.

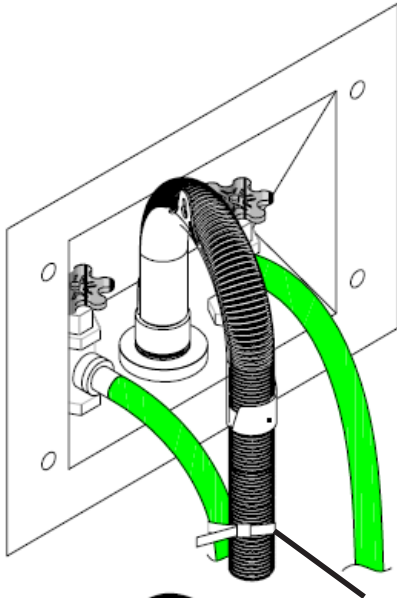
PIEZAS DE REPUESTO

Si necesita piezas de repuesto para su lavadora, acuda al establecimiento donde la compró llame al 1-800-944-9044, o visite nuestro web sitio, www.frigidaire.com, para la digan Distribuidor autorizada de las piezas de Frigidaire lo más cerca posible usted.

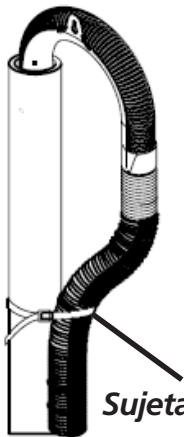
⚠ ADVERTENCIA Deseche la caja de cartón y las bolsas de plástico una vez que haya desembalado la lavadora. Los niños podrían usarlas para jugar. Las cajas de cartón tapadas con alfombras, colchas u hojas de plástico pueden convertirse en cámaras herméticas, causando asfixia. Coloque todos los materiales en el basurero o evite que los niños tengan acceso a ellos.

⚠ ADVERTENCIA Las instrucciones que aparecen en este manual y las demás guías incluidas con esta lavadora no pretenden cubrir todas las condiciones y situaciones posibles que pueden ocurrir. **DEBE** tenerse sentido común y cuidado al instalar, operar y mantener cualquier electrodoméstico.

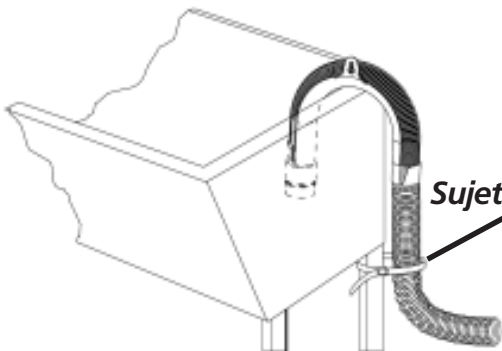
Se obtiene el máximo de beneficios y resultados cuando todas las instrucciones de seguridad y de funcionamiento son comprendidas y puestas en práctica de forma rutinaria cada vez que se lava la ropa.



Sujetacables



Sujetacables



Sujetacables