

Installation Instructions

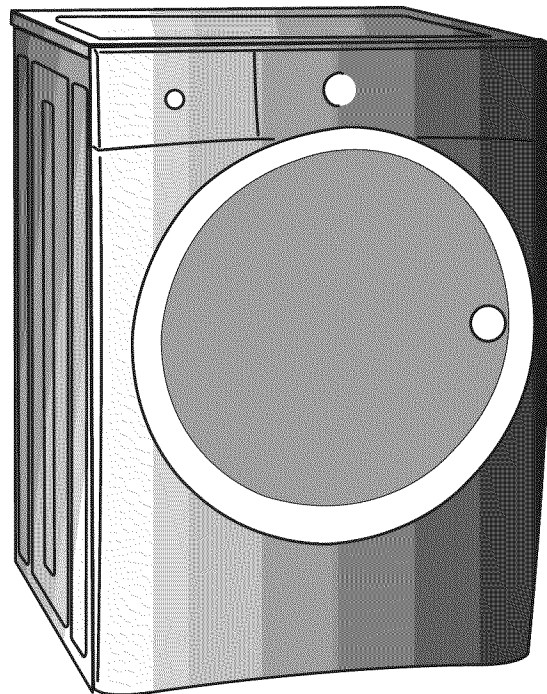
Electrolux Front-Load Washer

Instructions d'installation

Laveuse à chargement frontal Electrolux

Instrucciones de Instalación

Lavadora de carga frontal Electrolux



 **Electrolux**


Important Safety Instructions


WARNING

For your safety the information in this manual must be followed to minimize the risk of fire or explosion or to prevent property damage, personal injury or loss of life. Do not store or use gasoline or other flammable vapors and liquids in the vicinity of this or any other appliance.

Recognize safety symbols, words and labels

Safety items throughout this manual are labeled with a WARNING or CAUTION based on the risk type as described:

 **WARNING** This symbol alerts you to situations that may cause serious body harm, death or property damage.

 **CAUTION** This symbol alerts you to situations that may cause bodily injury or property damage.

WARNING

RISK OF FIRE - Read all of the following instructions before installing and using this appliance:

- Destroy the carton and plastic bags after the dryer is unpacked. Children might use them for play. Cartons covered with rugs, bedspreads, or plastic sheets can become airtight chambers causing suffocation. Place all materials in a garbage container or make materials inaccessible to children.
- For your safety the information in this manual must be followed to minimize the risk of fire or explosion or to prevent property damage, personal injury or loss of life. Do not store or use gasoline or other flammable vapors and liquids in the vicinity of this or any other appliance.
- Install the washer according to the manufacturer's instructions and local codes.
- The electrical service to the washer must conform with local codes and ordinances and the latest edition of the National Electrical Code, ANSI/NFPA 70, or in Canada, the Canadian electrical code C22.1 part 1.
- To avoid back or other injury, have more than one person move or lift the washer.
- Do not stack a dryer on top of washer already installed on pedestal. Do not stack washer on top of dryer. Do not stack washer on top of another washer.
- The instructions in this manual and all other literature included with this dryer are not meant to cover every possible condition and situation that may occur. Good safe practice and caution **MUST** be applied when installing, operating and maintaining any appliance.

WHAT TO DO IF YOU SMELL GAS:

- Do not try to light any appliance.
- Do not touch any electrical switch; do not use any phone in your building.
- Clear the room, building or area of all occupants.
- Immediately call your gas supplier from a neighbor's phone. Follow the gas supplier's instructions.
- If you cannot reach your gas supplier, call the fire department.

Save these instructions for future reference.

Table of contents

Important Safety Instructions.....	2	Installation Instructions	7-11
Installation Requirements.....	3-5	Reversing Door.....	12-17
Installed Dimensions	6	Options	18

Please read and save this guide

Thank you for choosing **Electrolux**, the new premium brand in home appliances. These *Installation Instructions* are part of our commitment to customer satisfaction and product quality throughout the life of your new appliance.

Questions?

For toll-free telephone support in the U.S. and Canada: **1-877-4ELECTROLUX (1-877-435-3287)**.
For online support and product information visit <http://www.electroluxappliances.com>.

Installation Checklist

Shipping Hardware

- Foam shipping support (under wash tub) removed and stored
- Shipping bolts and spacers removed from rear of appliance and stored
- Hole plugs (shipped in bag in drum) installed in holes in backsheet

Leveling

- Washer is level, side-to-side and front-to-back
- Cabinet is setting solid on all corners

Water Supply

- HOT supply is connected to HOT inlet and COLD supply is connected to COLD inlet
- HOT and COLD water supply turned on
- No leaks present at water supply connections or appliance inlet connections - recheck in 24 hours

Drain

- Stand pipe or wall drain height minimum 24"
- Drain hose snapped in "U" channel (shipped in drum)
- Drain hose secured in place with cable tie (shipped in drum)

Door Reversal

- Follow detailed instructions in this guide
- Test hinge and latch for function

Electrical Power

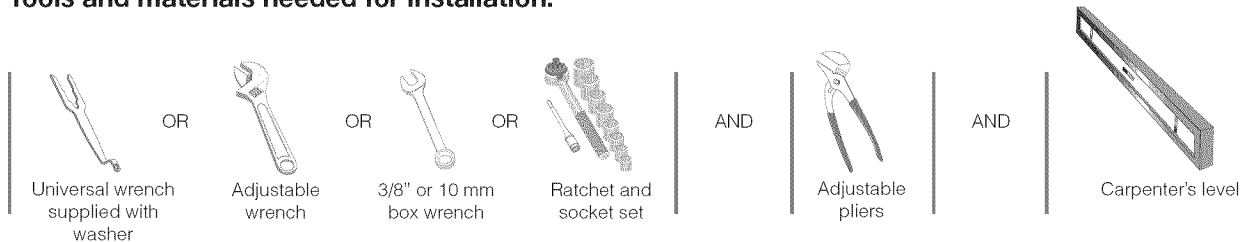
- House power turned on
- Washer plugged in

Final Checks

- Installation Instructions and Use and Care Guide read thoroughly
- Door locks and water enters drum when cycle starts
- Registration card sent in

Pre-installation requirements

Tools and materials needed for installation:



4 Installation Requirements

Electrical system requirements

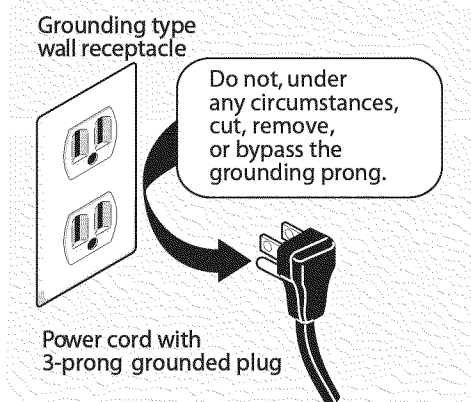
CIRCUIT - Individual, properly polarized and grounded 15 amp. branch circuit fused with 15 amp. time delay fuse or circuit breaker.

POWER SUPPLY - 2 wire, with ground, 120 volt single phase, 60 Hz, Alternating Current.

NOTE

Because of potentially inconsistent voltage capabilities, the use of this washer with power created by gas powered generators, solar powered generators, wind powered generators or any other generator other than the local utility company is not recommended.

OUTLET RECEPTACLE - Properly grounded 3-prong receptacle to be located so the power supply cord is accessible when the washer is in an installed position.



NOTE

GFI (Ground Fault Interrupter) receptacle is not required.

Grounding requirements

WARNING

ELECTRICAL SHOCK HAZARD
Improper connection of the equipment grounding conductor can result in a risk of electrical shock. Check with a licensed electrician if you are in doubt as to whether the appliance is properly grounded.

1. The washer **MUST** be grounded. In the event of malfunction or breakdown, grounding will reduce the risk of electrical shock by a path of least resistance for electrical current.
2. Since your washer is equipped with a power

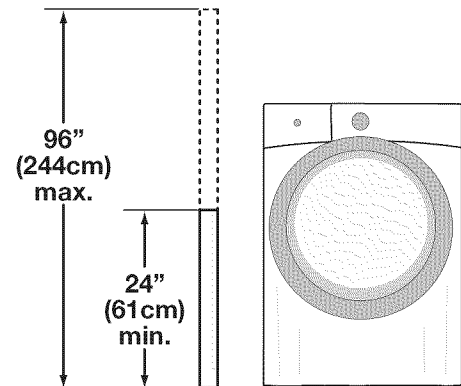
supply cord having an equipment-grounding conductor and a grounding plug, the plug **MUST** be plugged into an appropriate, copper wired receptacle that is properly installed and grounded in accordance with all local codes and ordinances or in the absence of local codes, with the National Electrical Codes, ANSI/NFPA 70 (latest edition). If in doubt, call a licensed electrician. **DO NOT** cut off or alter the grounding prong on the power supply cord. In situations where a two-slot receptacle is present, it is the owner's responsibility to have a licensed electrician replace it with a properly grounded three prong grounding type receptacle.

Water supply requirements

Hot and cold water faucets **MUST** be installed within 42 inches (107 cm) of your washer's water inlet. The faucets **MUST** be 3/4 inch (1.9 cm) with threading for laundry hose connection. Water pressure **MUST** be between 30 and 120 psi. Pressure difference between hot and cold cannot be more than 10 psi. Your water department can advise you of your water pressure.

Drain system requirements

1. Drain capable of eliminating 17 gals (64.3 L) per minute.
2. A standpipe diameter of 1-1/4 in. (3.18 cm) minimum.
3. The standpipe height above the floor should be:
Minimum height: 24 in. (61 cm)
Maximum height: 96 in. (244 cm)



NOTE

Drain hose attached to the washer can reach a 79 in. (201 cm) high standpipe. For higher standpipe, use hose P/N 137098000, available from an authorized parts distributor.

Clearance requirements



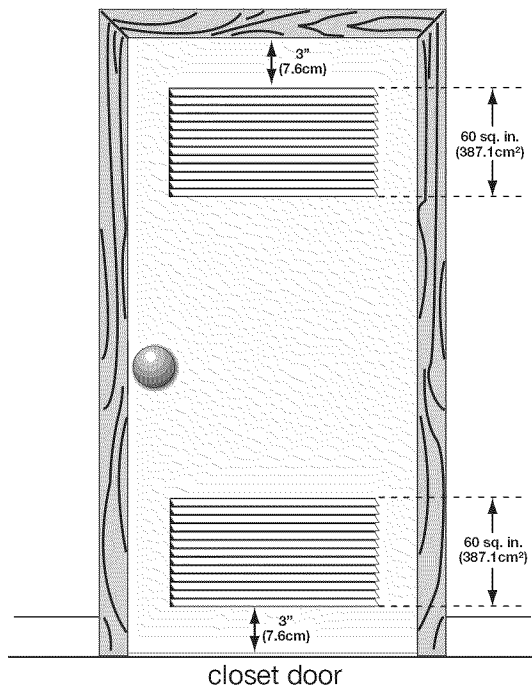
IMPORTANT

DO NOT INSTALL YOUR WASHER:

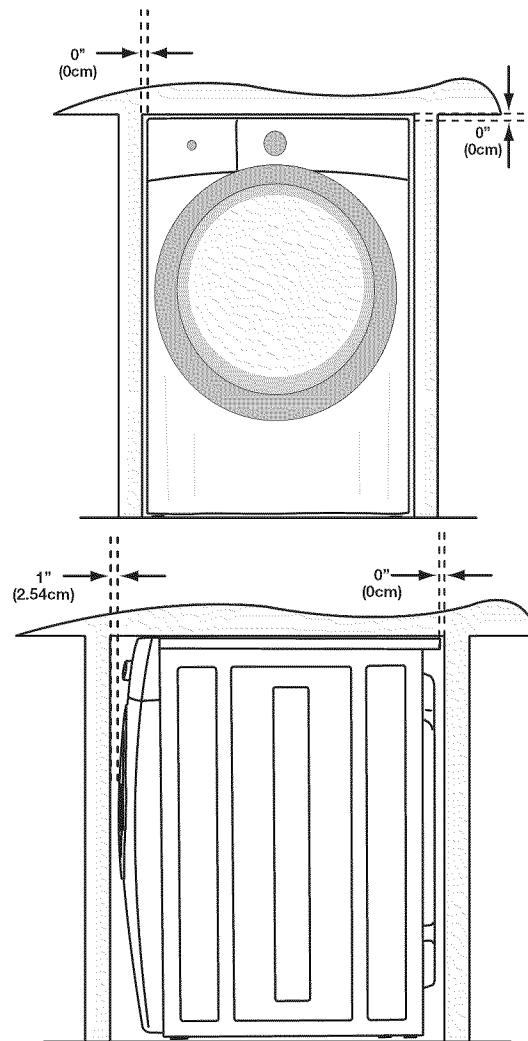
1. In an area exposed to dripping water or outside weather conditions. The ambient temperature should never be below 60° F (15.6° C) to maximize detergent effectiveness.
2. In an area (garage or garage-type building) where gasoline or other flammables (including automobiles) are kept or stored.
3. On carpet. Floor **MUST** be solid with a maximum slope of 1 inch (2.54 cm). To minimize vibration or movement, reinforcement of the floor may be necessary.

INSTALLATION IN A RECESS OR CLOSET

If washer and dryer are installed in the same closet, door ventilation is required: A minimum of 120 square inches (774.2 cm²) of opening, equally divided at the top and bottom of the door, is required. Louvered openings should be located 3 inches (7.6 cm) from bottom and top of door. Air openings are required to be unobstructed when a door is installed. A louvered door with equivalent air openings for the full length of the door is acceptable.

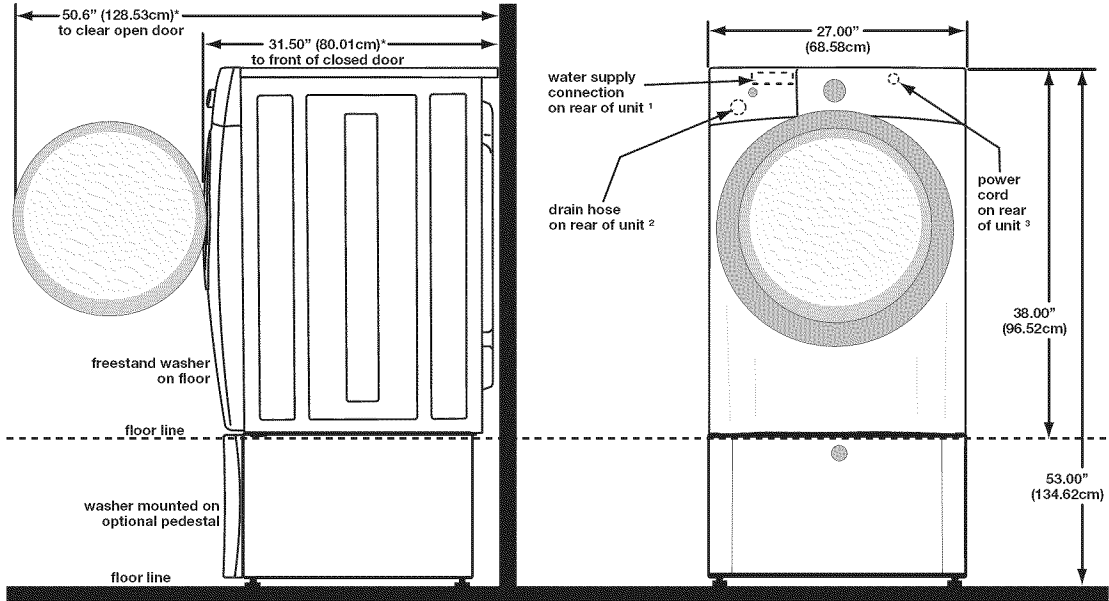


MINIMUM INSTALLATION CLEARANCES - Inches (cm)				
	SIDES	REAR	TOP	FRONT
Alcove	0" (0 cm)	0" (0 cm)*	0" (0 cm)	n/a
Under-Counter	0" (0 cm)	0" (0 cm)*	0" (0 cm)	n/a
Closet	0" (0 cm)	0" (0 cm)*	0" (0 cm)	1" (2.54 cm)

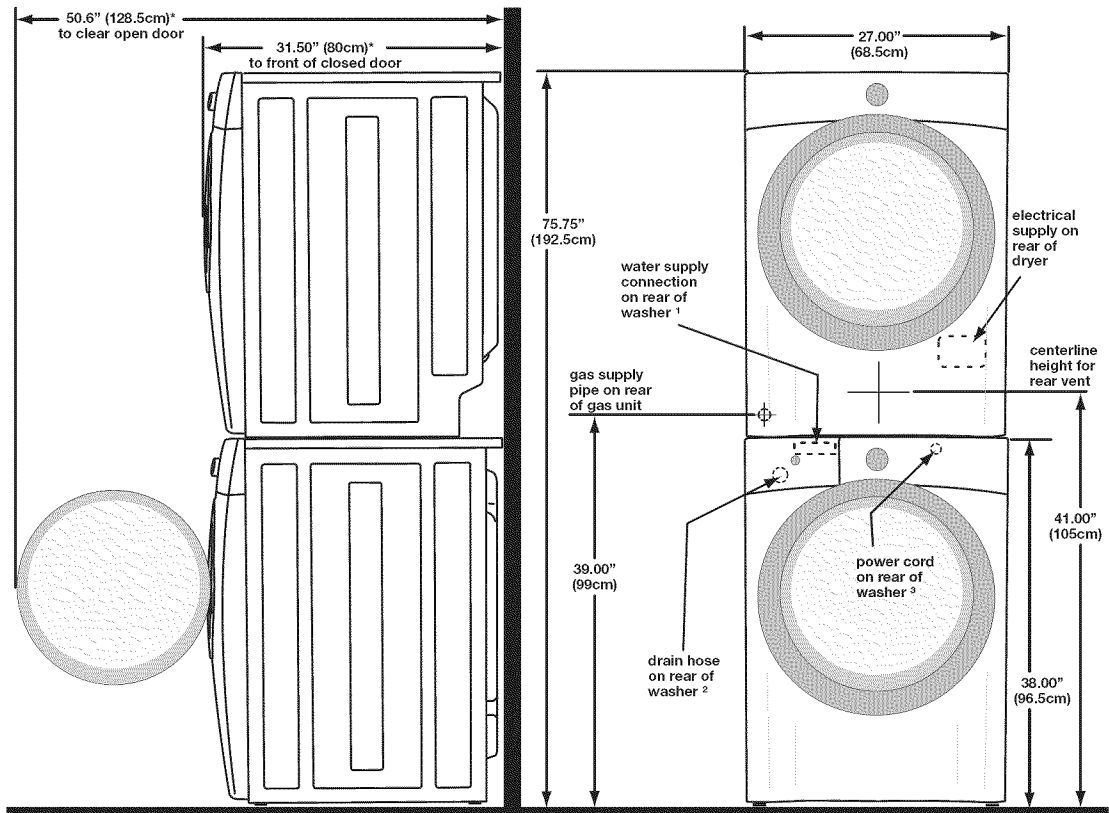


Installation Requirements

Installed washer dimensions



- * To obtain these minimal depth dimensions, dryer must either be vented straight back or with a quick-turn 90° elbow. Connection of water inlet hose on Steam Models adds 3/4 in. (2 cm) to installation depth.
- ¹ Hot and cold inlet hose length approximately 48.5 inches (123cm)
- ² Drain hose length approximately 59 inches (150cm).
- ³ Power supply cord length approximately 60 inches (152.5cm).



- * To obtain these minimal depth dimensions, dryer must either be vented straight back or with a quick-turn 90° elbow. Connection of water inlet hose on Steam Models adds 3/4 in. (2 cm) to installation depth.
- ¹ Hot and cold inlet hose length approximately 48.5 inches (123cm)
- ² Drain hose length approximately 59 inches (150cm).
- ³ Power supply cord length approximately 60 inches (152.5cm).

Removing foam packaging

WARNING

SUFFOCATION HAZARD

Destroy the carton and plastic bags after the washer is unpacked. Children might use them for play. Cartons covered with rugs, bedspreads, or plastic sheets can become airtight chambers causing suffocation. Place all materials in a garbage container or make materials inaccessible to children.

1. Temporarily remove door tape.
2. Open washer door and remove everything from the drum.
3. Close door and reapply door tape.
4. Using a rug, blanket or piece of cardboard to protect the floor, carefully lay the washer on it's back.

CAUTION

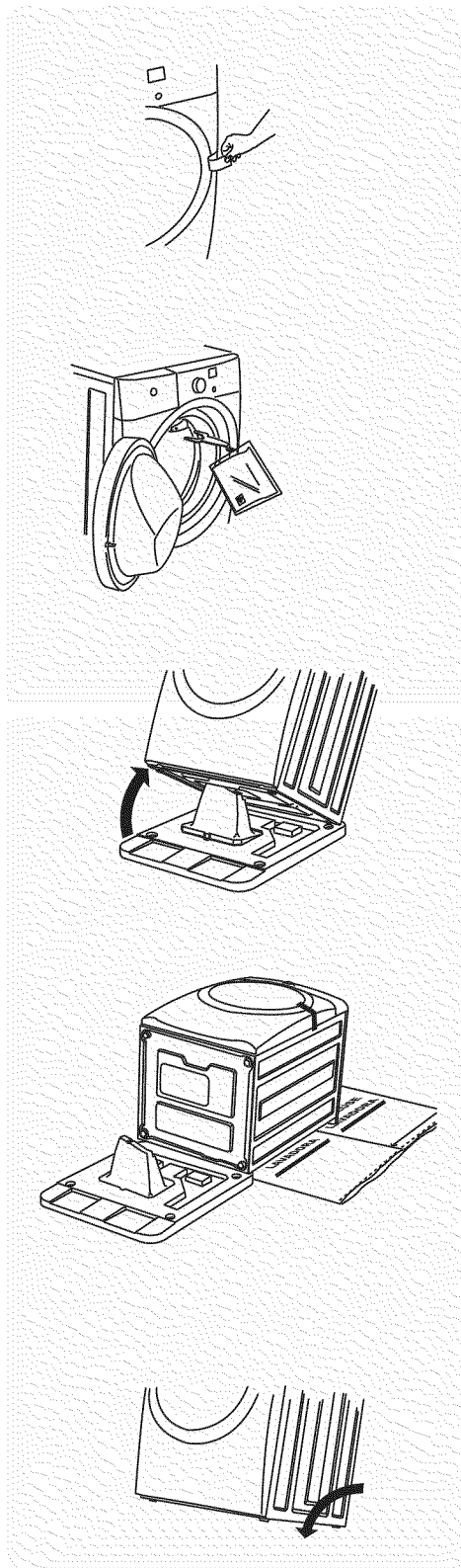
EXCESSIVE WEIGHT HAZARD

To avoid back or other injury, have more than one person move or lift the washer.

5. Remove styrofoam base and shipping plug and set them aside.
6. Carefully return the washer to an upright position.
7. Carefully move the washer to within 4 feet (1 m) of its final location.

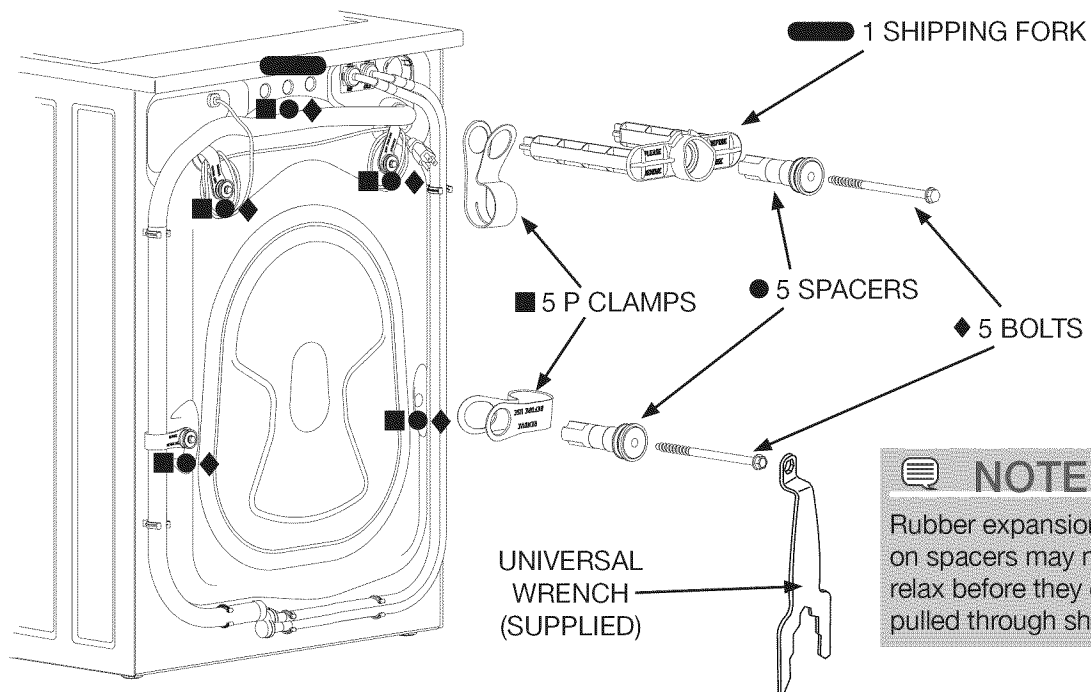
IMPORTANT

Save styrofoam base and shipping plug for use to help prevent washer damage during any future moves.



Unpacking Washer

Removing shipping hardware



NOTE

Rubber expansion material on spacers may need time to relax before they can be easily pulled through shipping hole.

Remove all of the following:

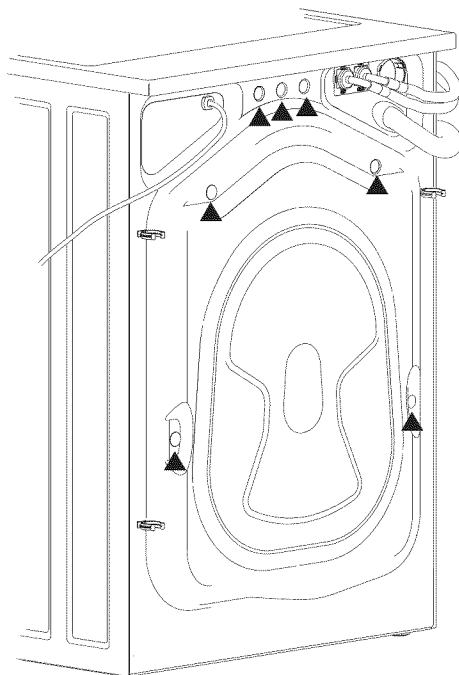
1 SHIPPING FORK ● 5 SPACERS

5 P CLAMPS ◆ 5 BOLTS

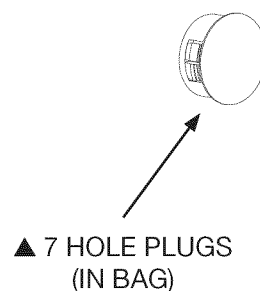
IMPORTANT

Save all shipping bolts and spacers for future use. If the washer is to be transported at a later date, the shipping hardware must be reinstalled to help prevent shipping damage.

Installing hole plugs



Locate 7 hole plugs in the small bag supplied with washer instruction guides. Insert them in the holes in washer back panel.



Leveling your washer

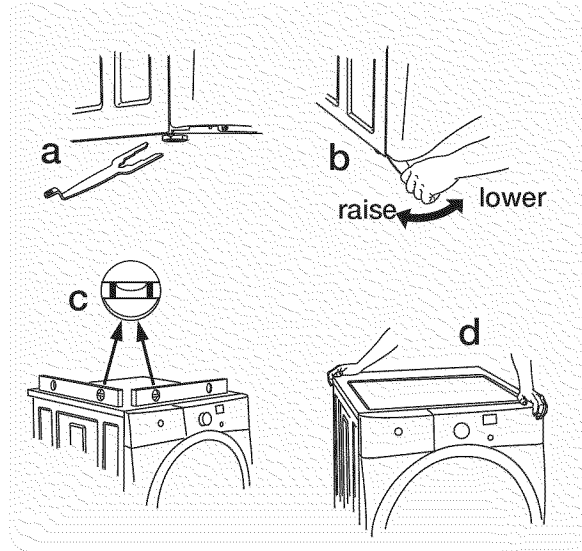
Excessive noise and vibration can be prevented by properly leveling the washer.

1. For free standing installation and with the washer within 4 feet (1 m) of its final location, place a level on top of the washer.
2. Use the universal wrench to adjust the leveling legs so the washer is level front-to-rear and side-to-side, and stable corner-to-corner.
3. Press down on alternate corners and sides and feel for the slightest movement. Adjust the appropriate leg(s) so the washer sits solidly on the floor on ALL four legs. Keep the leveling leg extension at a minimum for best performance of the washer.



NOTE

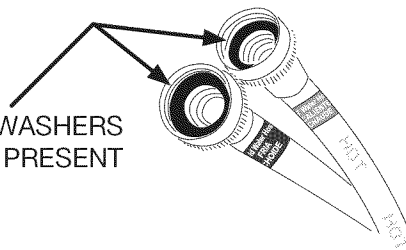
For pedestal installations, see additional installation instructions included with the pedestal.



Connecting inlet water

1. Run some water from the hot and cold faucets to flush the water lines and remove particles that might clog the water valve screens and to determine which faucet is hot and which is cold supply.
2. Look in the end of each water supply inlet hose and verify that the rubber washers are in place.

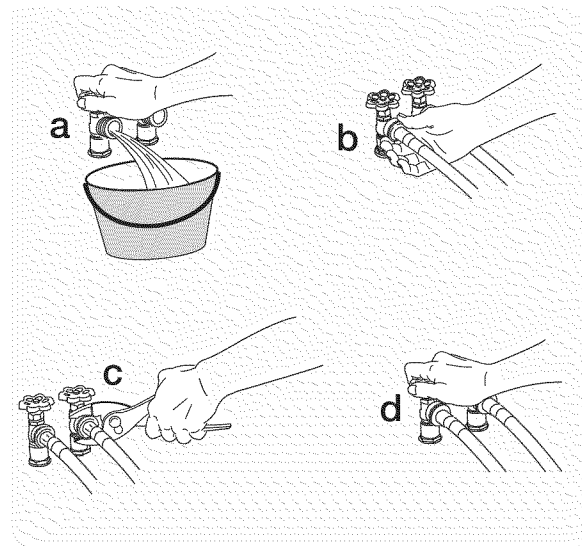
RUBBER WASHERS
MUST BE PRESENT



NOTE

HOT and COLD water inlet hoses are color coded for identification. The HOT inlet hose is marked with a RED band and the COLD inlet hose is marked with a BLUE band.

3. Connect the HOT inlet hose to the HOT water supply and the COLD inlet hose to the COLD water supply. Tighten by hand until snug.
4. Tighten each supply connection another 2/3 turn with pliers. **Do not bend, kink or pinch water inlet hoses.**
5. Turn on the water and check for leaks.



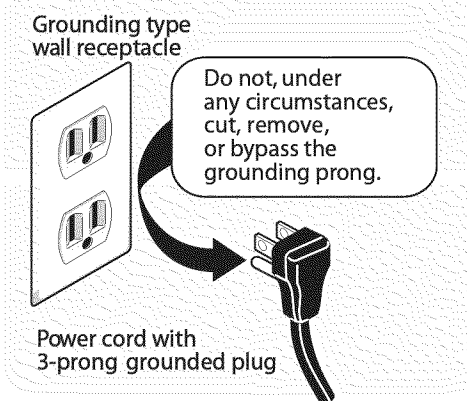
Connecting drain and electrical

1. Snap one end of the drain hose hanger (shipped in washer drum) onto the drain hose. Continue wrapping it around the hanger and snap it in place.
2. Place the hook end of the drain hose in the drain opening. Secure the drain hose with the cable tie (provided in the enclosure package) to the stand-pipe, inlet hose, laundry tub, etc. so the hose does not pull out from the force of the water.

IMPORTANT

Check to ensure the power is off at a circuit breaker/fuse box before plugging the power cord into an outlet.

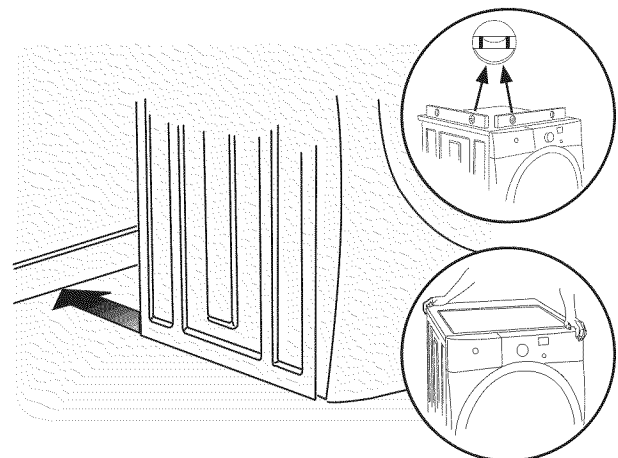
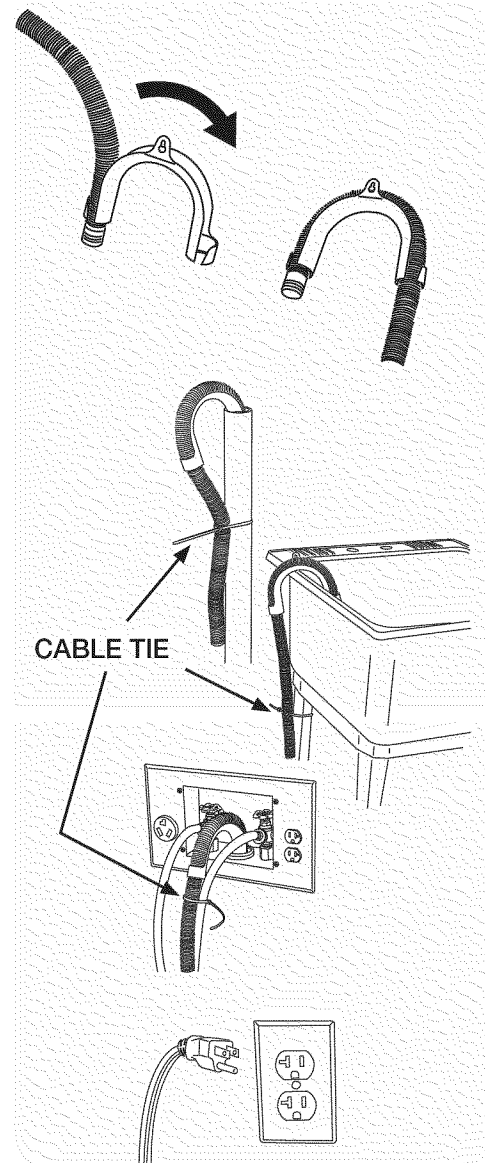
3. Plug the power cord into a grounded outlet.



4. Turn on the power at a circuit breaker/fuse box.
5. Carefully slide the washer to its final position. Recheck for level and rock corners for stability. Remove and discard door tape.
6. Read the *Use & Care Guide* provided with the washer. It contains valuable and helpful information that will save you time and money.
7. See the next page about performing a brief, helpful "Installation Cycle" on your new washer.
8. If you have any questions during initial operation, please review the "Service Prevention Checklist" in your *Use & Care Guide* before calling for service.
9. Place these instructions in a location near the washer for future reference.

NOTE

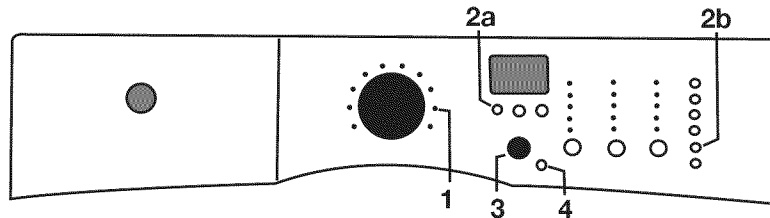
A wiring diagram and technical data sheet are located under the washer top panel, on top of the detergent dispenser housing.



Performing Installation Cycle

With your washer in final location, perform an Installation Cycle to assist in proper installation.

If your washer has this console:



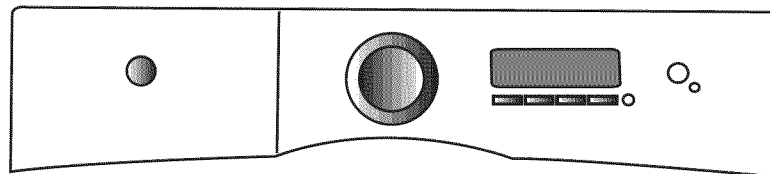
1. Empty washer's drum and close door.
2. After you plug in the washer the first time: wake up the washer by pressing any button, rotate cycle knob to cycle one up from lower right position (1), press the **start** button (3) and then the **cancel** button (4).
3. Wake up the washer again by pressing any button, then immediately and simultaneously press and hold buttons 2a and 2b for 5 seconds, or until the LCD display changes.
4. The LCD window will display **INSTAL CYCLE** and show estimated time of cycle completion. Press the **start** button (3). The Installation Cycle will automatically perform various diagnostic routines. At cycle completion, the LCD window may display **INSTAL PASS!**, meaning your new washer is properly installed and ready for use. If it prompts an action such as **NO WATER, CHECK HOSES** or **CALL SERVICE 877 435 3287**, review the installation steps and make the necessary corrections before you attempt to use the washer.
5. Your washer will exit the Installation Cycle and return to normal operation the next time you wake it up.

NOTE

Washer will stay awake for 3 minutes after the Installation Cycle. If you wish to immediately run the washer through a washing cycle, press the **cancel** button to put the unit to sleep and then rewake it immediately to continue the normal operating mode.

6. Please read the *Use & Care Guide* and enjoy your new premium washer!

If your washer has this console:



1. After you plug in the washer the first time: wake up the washer by pressing any button and then follow the prompts on the LCD User Interface, including language selection.
2. The Installation Cycle will automatically perform various diagnostic routines. At cycle completion, the LCD window may display **INSTAL PASS!**, meaning your new washer is properly installed and ready for use. If it prompts an action such as **NO WATER, CHECK HOSES** or **CALL SERVICE 877 435 3287**, review the installation steps and make the necessary corrections before you attempt to use the washer.
3. Your washer will exit the Installation Cycle and return to normal operation the next time you wake it up.

NOTE

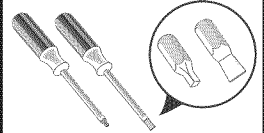
Washer will stay awake for 3 minutes after the Installation Cycle. If you wish to immediately run the washer through a washing cycle, press the **cancel** button to put the unit to sleep and then rewake it immediately to continue the normal operating mode.

4. Please read the *Use & Care Guide* and enjoy your new premium washer!

Preparing to reverse door swing

- 1 Be sure you have adequate swing area before reversing door.
- 2 You will need a screw driver with a #2 square bit.
- 3 Protect flat work surface, such as top of washer or floor near washer, with a soft cloth or towel.
- 4 Be sure washer is unplugged from power source!

Tools needed:



Screwdrivers with
#2 square &
straight bit

WARNING

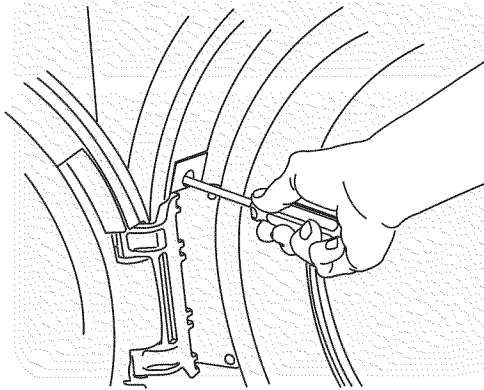
ELECTRICAL SHOCK HAZARD

Failure to disconnect power source before servicing could result in personal injury or even death.

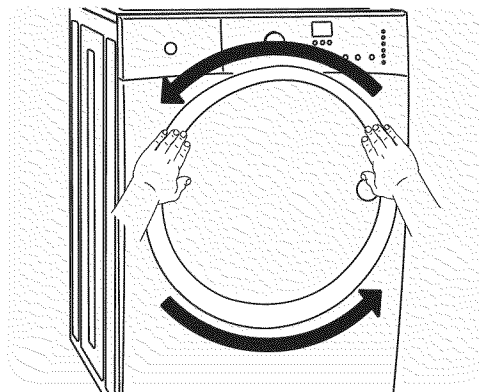
Removing door and hardware

A) Removing Trim Ring

- 1 Open the door to a 90 degree angle.
- 2 Remove and save the trim plug and long, course-thread, panhead screw.

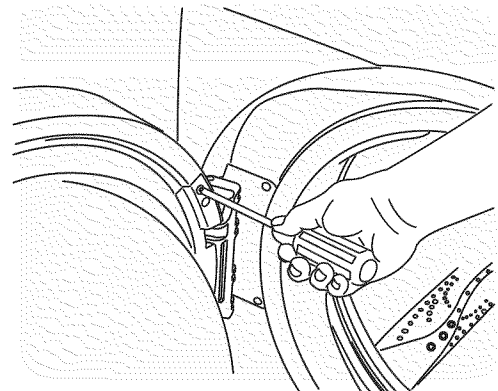


- 3 Close the door.
- 4 Rotate the door trim approximately $\frac{3}{4}$ " counter-clockwise and pull it away from the front of the door.

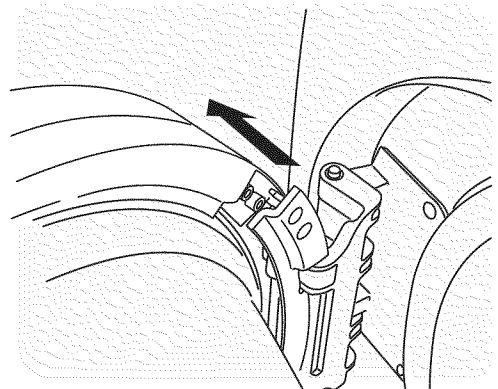


B) Removing Door from Hinge

- 1 Reopen door to 90 degree angle.
- 2 Remove 4 long, course-thread, counter-sunk hinge screws from door.



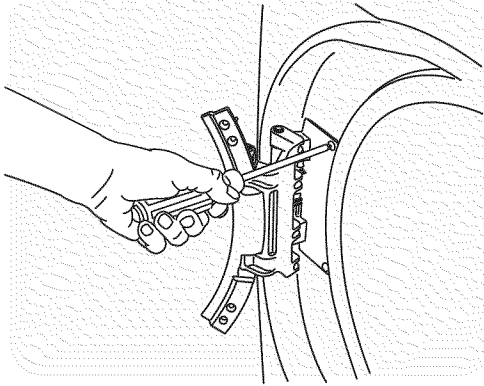
- 3 While supporting the weight of the door with both hands, separate the door from the hinge.



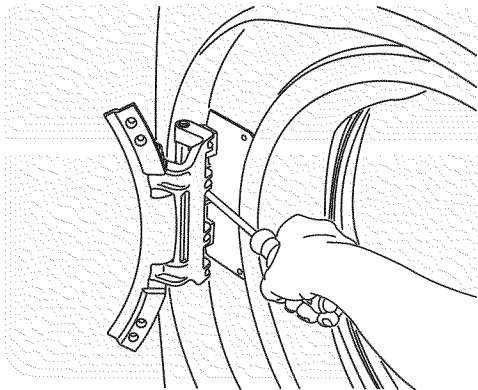
- 4 Gently place the door face down on a flat, covered work surface.

C) Removing Hinge from Front Panel

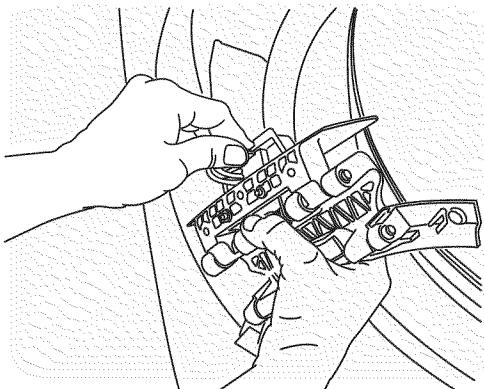
- 1 With the hinge in open position, remove 2 short, course-thread, panhead screws on hinge plate.



- 2 Remove 3 short, fine-thread, counter-sunk screws in hinge side.

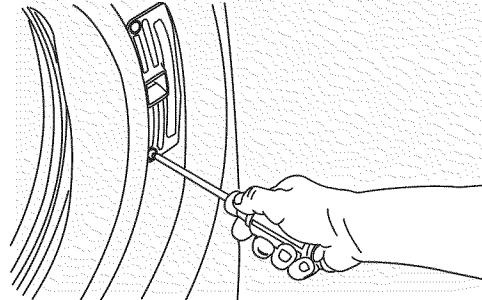


- 3 Slide the hinge toward the center of the front panel, and then pivot the hinge inward while slowly pulling it away from the front panel to expose the attached harness.
- 4 Lift up on the tab and the release harness from the retainer, allowing the harness to lay outside the front panel.

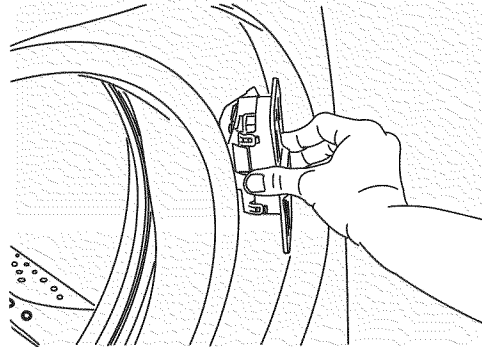


D) Removing Door Lock from Front Panel

- 1 Remove 2 short, course-thread, panhead screws from the door lock.



- 2 Slide the lock toward the outer edge of the front panel. Pivot the lock slightly outward while slowly pulling it through opening to expose the attached harness.

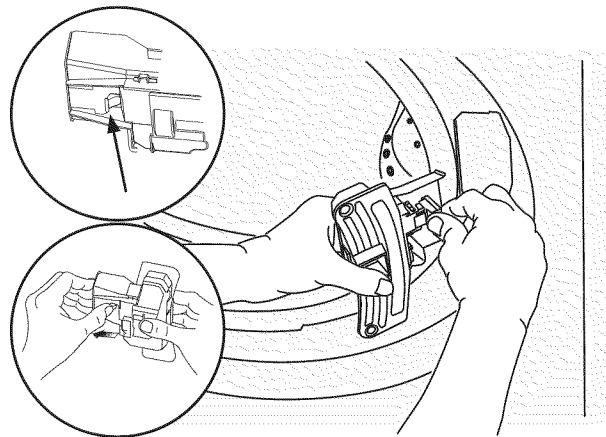


⚠ WARNING

ELECTRICAL SHOCK HAZARD

Failure to disconnect power source before servicing could result in personal injury or even death.

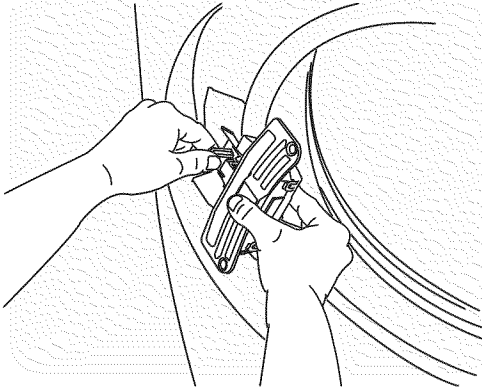
- 3 Release the harness from the terminal with the small lever on back of the lock. Separate the harness from the lock, allowing the harness to lay outside the front panel.



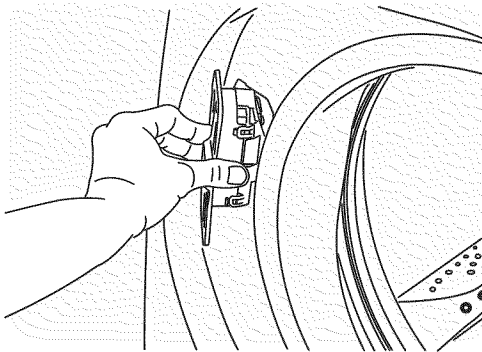
Reversing door and hardware

E) Reattaching Door Lock to Front Panel

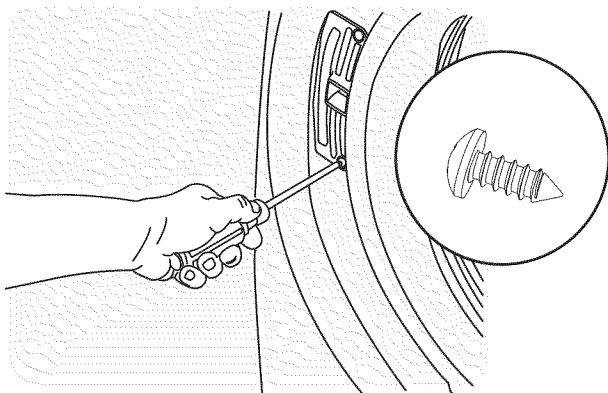
- 1 Rotate the door lock and move it to the opposite opening.
- 2 Connect the harness to the door lock by inserting it in the terminal and firmly pushing it in place.



- 3 Insert the harness connection through the front panel first, and then pivot the lock until it is flush. Slide the lock toward the center of the front panel until the screw holes line up.

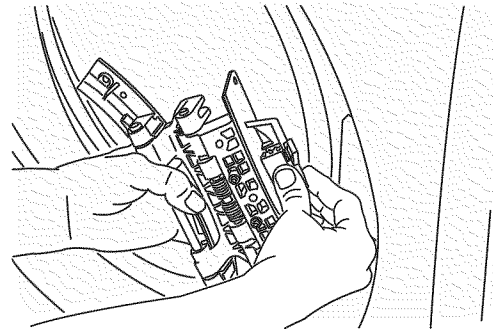


- 4 Secure the lock with 2 short, course-thread, panhead screws.

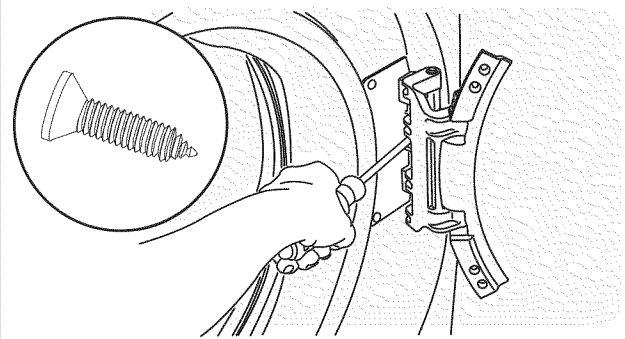


F) Reattaching Hinge to Front Panel

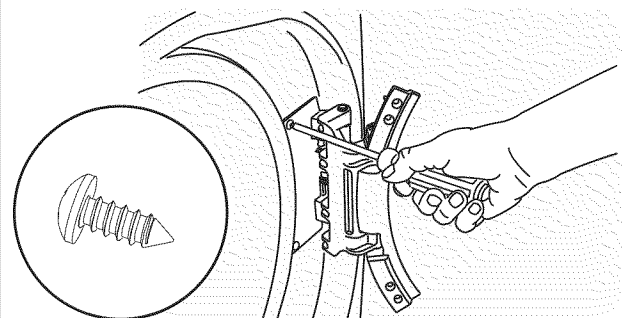
- 1 Rotate the hinge and move it to the opposite opening.
- 2 Connect the harness to the hinge retainer by inserting it in the retention terminal and gently pushing until you hear the fastening tab click.
- 3 Gently pull on the harness to be sure it is secure.



- 4 Use the side locating pins to align the hinge and install 1 short, fine-thread, counter-sunk screw in the center hole of hinge side.

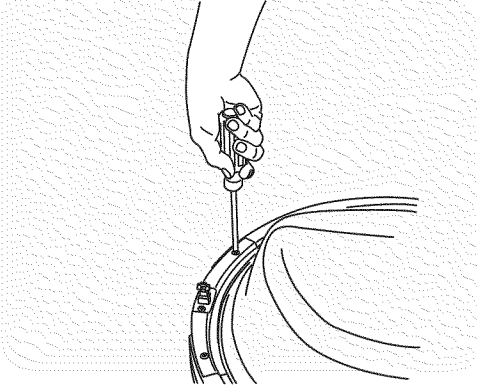


- 5 Install the other 2 short, fine-thread, counter-sunk screws in the upper and lower holes of hinge side.
- 6 Install 2 short, course-thread, panhead screws through hinge plate.



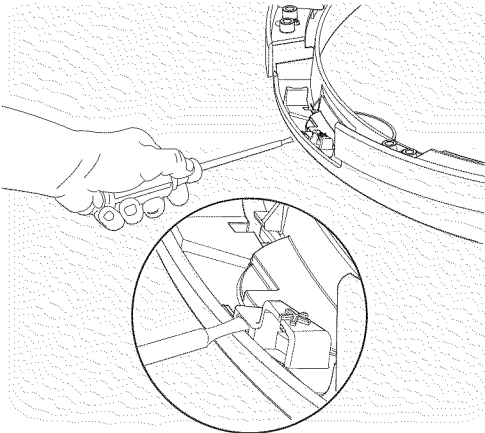
G) Removing Striker Plate

- 1 Remove 2 long, coarse-thread, counter-sunk screws and striker plate.

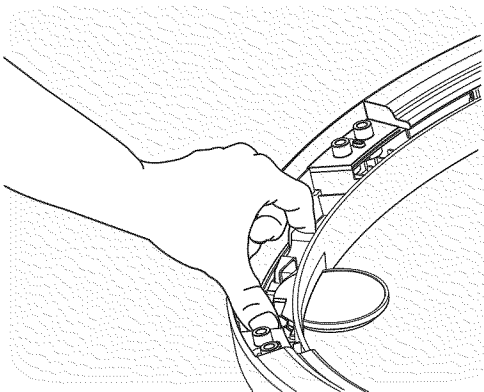


- 2 Set the striker plate to the side for later.

H) Removing Latch Indicator

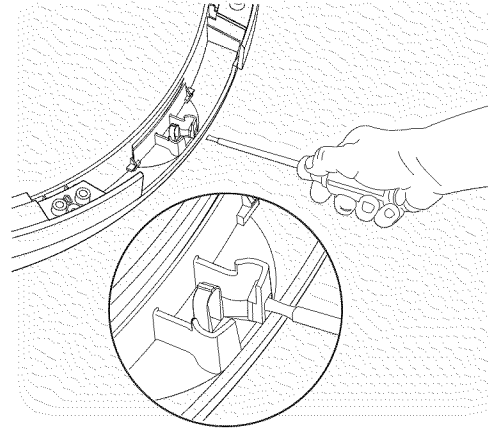


- 1 Insert flat blade screwdriver into open slot of latch indicator.
- 2 Gently pry upward to release tab.

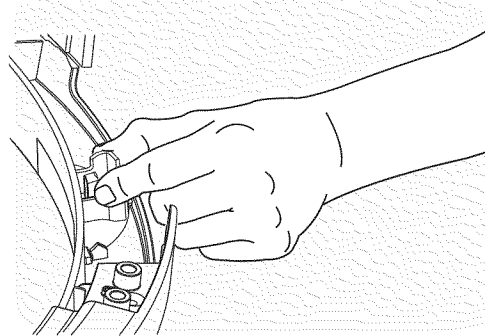


- 3 Pull the indicator out and set it aside.

I) Removing Hole Plug



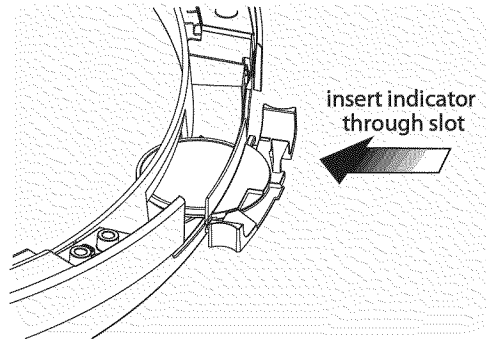
- 1 Insert flat blade screwdriver into open slot of hole plug.
- 2 Gently pry upward to release tab.



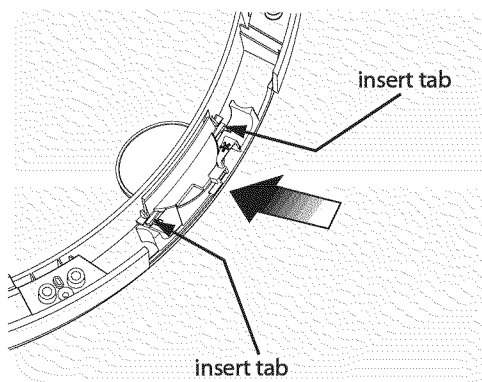
- 3 Pull the hole plug out and set it aside.

J) Reinserting Latch Indicator

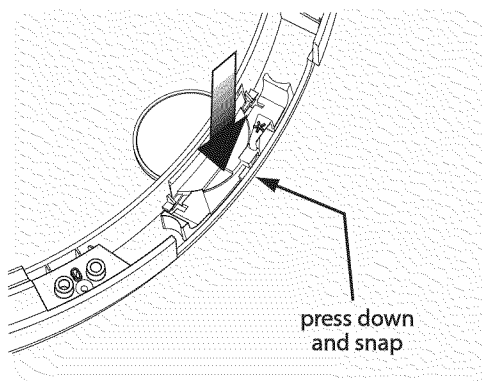
- 1 Rotate the latch indicator and move it to the opposite hole in the door.



- 2 Firmly insert the two small tabs on either side of the latch indicator into the two slots on either side of the hole in the door.

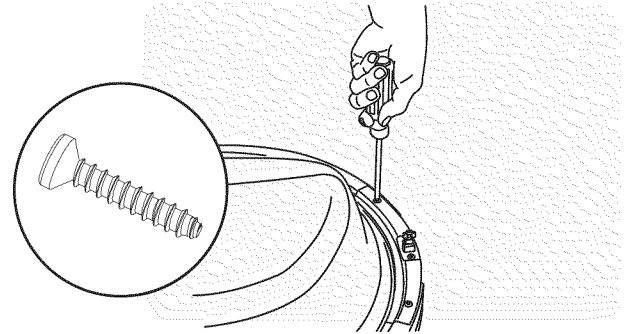


- 3 Firmly press downward on the indicator until the tab snaps in place.



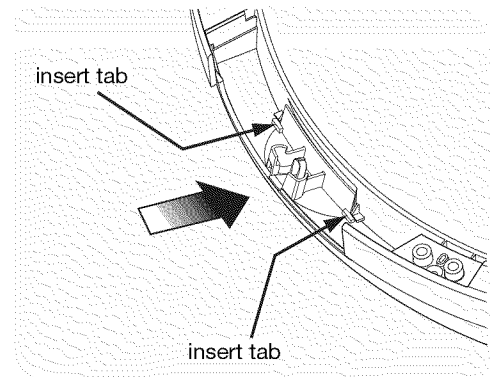
K) Reattaching Striker Plate

- 1 Rotate the striker plate and move it to the opposite side of door above the indicator.
- 2 Reattach with 2 long, coarse-thread, counter-sunk screws.

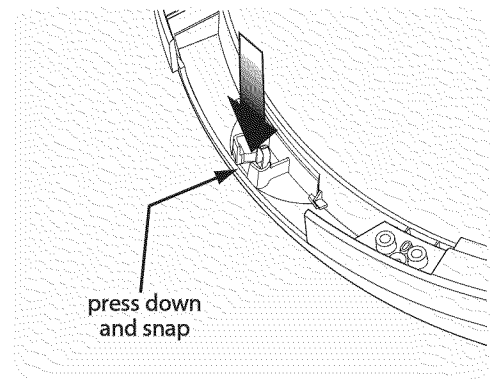


L) Reinserting Hole Plug

- 1 Rotate the hole plug and move it to the opposite hole in the door.
- 2 Firmly insert the two small tabs on either side of the hole plug into the two slots on either side of the hole in the door.



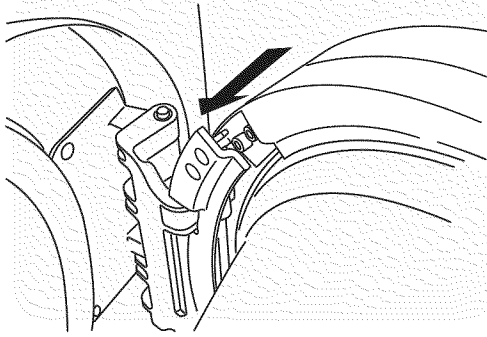
- 3 Firmly press downward on the hole plug until the tab snaps in place.



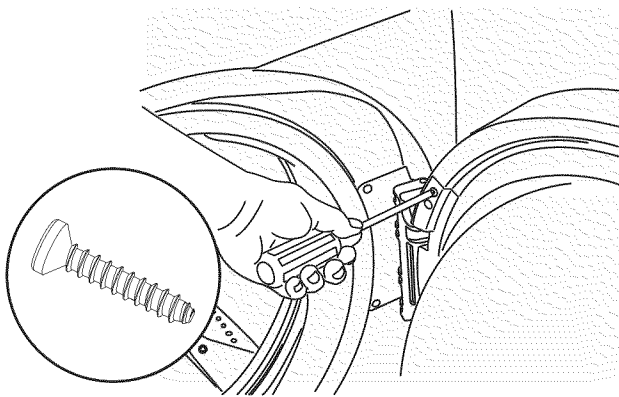
Reattaching door and hardware

M) Reattaching Door Assembly

- 1 Open the hinge to a 90 degree angle.
- 2 Install the door onto the hinge locating pins.



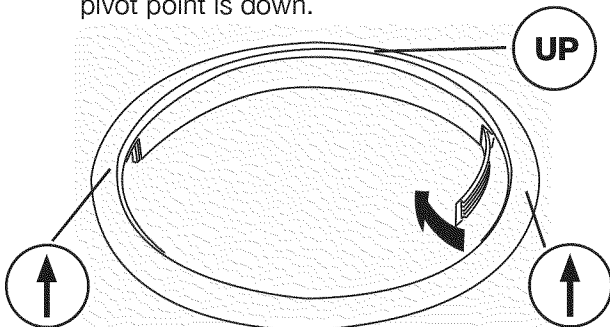
- 3 Secure the door with 4 long, coarse-thread, counter-sunk screws.



- 4 Close the door and test the operation of the latch.

N) Reversing Trim Ring

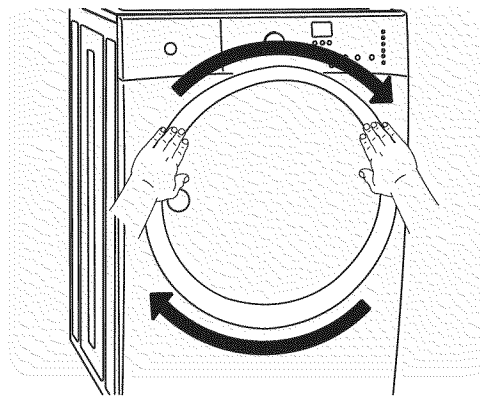
- 1 Trim ring orientation is marked on the back.
- 2 Remove the trim ring cover plate. To remove the cover plate from the right, pivot point is up. To remove the cover plate from the left, pivot point is down.



- 3 Rotate the trim ring cover plate and move it to the opposite opening in the trim and reinsert.

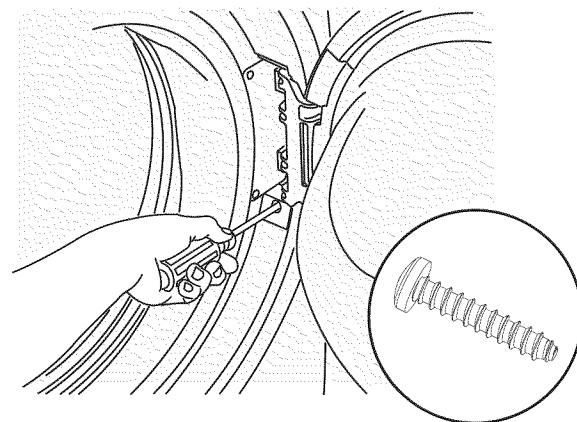
O) Reinstalling Trim Ring

- 1 Close the door.
- 2 Orient the trim so 12 position is approximately $\frac{3}{4}$ " to the left of top center. The opening in the trim ring should be on the hinge side.
- 3 Insert the trim ring in the slots and rotate it clockwise approximately $\frac{3}{4}$ ".



P) Reinstalling Trim Plug

- 1 Open the door to a 90 degree angle.
- 2 Install the trim plug with 1 long, coarse-thread, panhead screw.



- Q) Plug in washer and continue operation.

Accessories

MATCHING STORAGE PEDESTAL*

Island White Pedestal - P/N EPWD15IW
 Mediterranean Blue Pedestal - P/N EPWD15MB
 Silver Sands Pedestal - P/N EPWD15SS
 Turquoise Sky Pedestal - P/N EPWD15TS
 Red Hot Red Pedestal - P/N EPWD15RR
 Kelly Green Pedestal - P/N EPWD15KG

A storage pedestal accessory, specifically designed for this washer may be used to elevate the dryer for ease of use. This pedestal will add about 15" (38.1cm) to the height of your unit for a total height of 53" (134.62 cm).

*Other colors may be available. Contact the source where you purchased your washer.

DRYER STACKING KIT

P/N 134700400

Depending on the model you purchased, a kit for stacking a matching dryer on top of this washer may have been included in the initial purchase of your dryer. If your model did not include a stacking kit or you desire another stacking kit, you may order one.

DRAIN HOSE EXTENSION KIT

P/N 137098000

In order to reach standpipe heights or distances beyond the reach of the drain hose supplied, order the DRAIN HOSE EXTENSION KIT.

MOBILE HOME INSTALLATION KIT

P/N 137067200

Installation in a mobile home requires the use of a MOBILE HOME INSTALLATION KIT.

UNIVERSAL APPLIANCE WRENCH

P/N 137019200

Your washer was supplied with a UNIVERSAL APPLIANCE WRENCH. If you desire another wrench, you may order one.

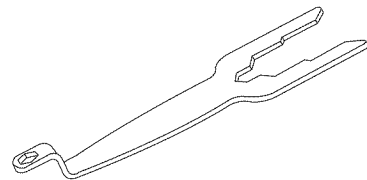
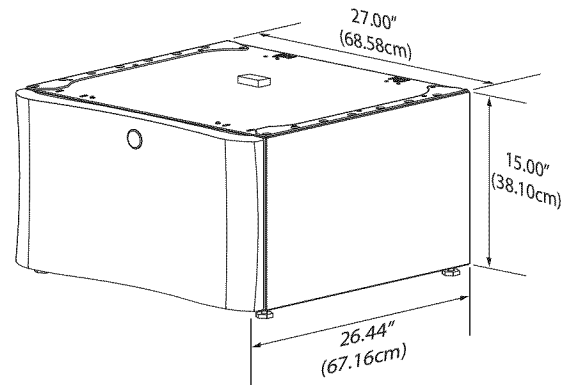
TOUCH UP PAINT PENS

Island White Touch Up Pen - P/N 5304468812
 Mediterranean Blue Touch Up Pen - P/N 5304468813
 Silver Sands Touch Up Pen - P/N 5304468814
 Turquoise Sky Touch Up Pen - P/N 5304468815
 Red Hot Red Touch Up Pen - P/N 5304471226
 Kelly Green Touch Up Pen - P/N 5304471231

*Other colors may be available. Contact the source where you purchased your washer.

CAUTION

Failure to use accessories manufactured by (or approved by) the manufacturer could result in personal injury, property damage or damage to the washer.



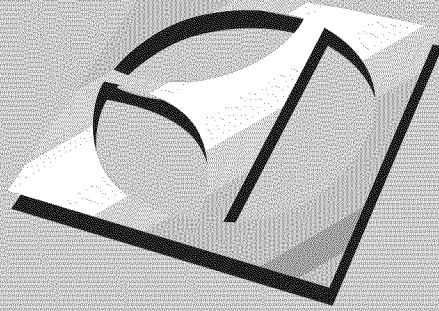
Replacement parts: 1-877-4ELECTROLUX (1-877-435-3287)

If replacements parts are needed for your washer, contact the source where you purchased your washer, call 1-877-4ELECTROLUX (1-877-435-3287), or visit our website, www.electroluxappliances.com, for the Electrolux Authorized Parts Distributor nearest you.

WARNING

ELECTRICAL HAZARD

Label all wires prior to disconnection when servicing controls. Wiring errors can cause improper and dangerous operation. Verify proper operation after servicing.



Installation Instructions

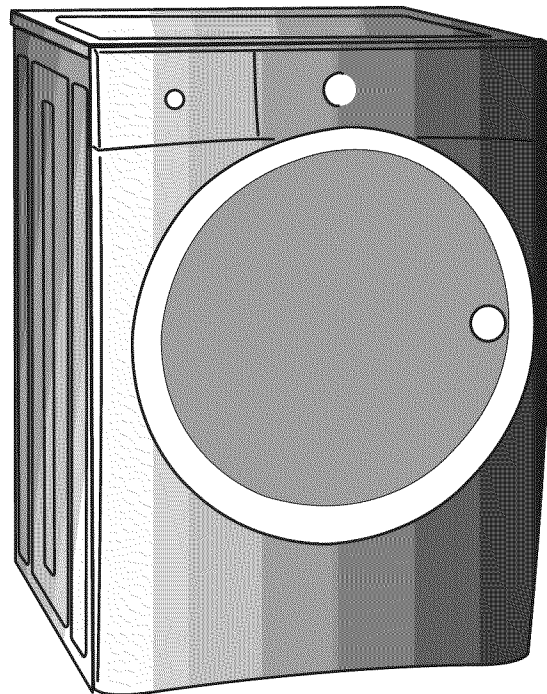
Electrolux Front-Load Washer

Instructions d'installation

Laveuse à chargement frontal Electrolux

Instrucciones de Instalación

Lavadora de carga frontal Electrolux



 **Electrolux**

2 Mesures de sécurité importantes


AVERTISSEMENT

Pour votre sécurité, l'information contenue dans ces instructions doit être suivie afin de réduire les risques d'incendie ou d'explosion ou pour prévenir les dommages matériels, les blessures ou la mort. Vous ne devez ni entreposer, ni utiliser d'essence ou d'autres vapeurs ou liquides inflammables à proximité de cet appareil ou de tout autre appareil électroménager.

Sachez reconnaître les symboles, les avertissements et les étiquettes de sécurité.

Les mesures de sécurité présentées dans ce guide sont identifiées par le mot AVERTISSEMENT ou ATTENTION selon le type de risque présenté.

 **AVERTISSEMENT** Ce symbole vous avertit à propos des situations pouvant causer des dommages matériels, des blessures graves ou même la mort.

 **ATTENTION** Ce symbole vous avertit à propos des situations pouvant causer des dommages matériels ou des blessures.

AVERTISSEMENT

RISQUE D'INCENDIE - Lisez toutes les instructions de sécurité suivantes avant d'installer et d'utiliser votre appareil :

- Détruisez le carton d'emballage et les sacs en plastique après avoir déballé l'appareil. Les enfants pourraient les utiliser pour jouer. Le carton recouvert de tapis, les couvertures et les feuilles de plastique peuvent être étanches à l'air et provoquer la suffocation. Déposez tous les matériaux d'emballage dans un conteneur à déchets ou faites en sorte que les enfants ne puissent y avoir accès.
- Pour votre sécurité, l'information contenue dans ces instructions doit être suivie afin de réduire les risques d'incendie ou d'explosion ou pour prévenir les dommages matériels, les blessures ou la mort. Vous ne devez ni entreposer, ni utiliser d'essence ou d'autres vapeurs ou liquides inflammables à proximité de cet appareil ou de tout autre appareil électroménager.
- Installez l'appareil conformément aux instructions du fabricant et aux codes locaux.
- L'installation électrique de la laveuse doit être conforme aux codes et aux règlements locaux ainsi qu'à la toute dernière édition du National Electrical Code (ANSI/NFPA 70), ou au Canada, au Code canadien de l'électricité (C22.1, article 1).
- Pour éviter les blessures au dos ou d'autres types de blessure, demandez l'aide d'autres personnes pour déplacer ou soulever la laveuse.
- Ne superposez pas une sècheuse sur une laveuse déjà installée sur un socle. Ne superposez pas une laveuse sur une sècheuse. Ne superposez pas une laveuse sur une autre laveuse.
- Les instructions comprises dans ce guide et toute autre documentation fournie avec cet appareil ne sont pas conçues pour couvrir toutes les éventualités ou situations qui pourraient survenir. Vous DEVEZ faire preuve de bon sens et de prudence durant l'installation, l'utilisation et l'entretien de tout appareil ménager.

QUE FAIRE SI VOUS DÉTECTEZ UNE ODEUR DE GAZ :

- Ne mettez pas d'appareil en marche.
- Ne touchez à aucun commutateur électrique; n'utilisez aucun téléphone de votre domicile.
- Évacuez la pièce, le bâtiment ou la zone touchée.
- En utilisant le téléphone d'un voisin, appelez immédiatement le fournisseur de gaz. Suivez ses instructions.
- Si vous ne pouvez joindre votre fournisseur de gaz, appelez les pompiers.

Conservez ces instructions pour vous y reporter ultérieurement.

Table des matières

Mesures de sécurité importantes.....	2	Instructions d'installation	7-11
Exigences d'installation.....	3-5	Inversion de la porte.....	12-17
Dimensions de l'installation.....	6	Options	18

Veillez lire et conserver ce guide

Merci d'avoir choisi **Electrolux**, la nouvelle marque de qualité en matière d'électroménager. Ces *instructions d'installation* font partie de notre engagement à vous satisfaire et à vous fournir un produit de qualité pendant toute la durée de vie de votre nouvel appareil.

Des questions?

Pour rejoindre le service sans frais aux États-Unis et au Canada :

1 877 4ELECTROLUX (1 877 435-3287).

Pour obtenir de l'aide et de l'information sur les produits en ligne, visitez le site <http://www.electroluxappliances.com>

Liste de vérification d'installation

Matériel d'expédition

- Le support d'expédition en mousse (sous la cuve de lavage) a été enlevé et remis
- Les boulons d'expédition situés à l'arrière de l'appareil ont été enlevés et remis
- Les bouchons (inclus dans le sac situé dans la cuve) ont été insérés dans les trous situés dans la paroi arrière de la laveuse

Mise à niveau

- La laveuse est au niveau latéralement et de l'avant vers l'arrière
- Les quatre coins de la caisse reposent fermement sur le plancher

Alimentation en eau

- Le tuyau d'entrée d'eau CHAUDE est raccordé au robinet d'eau CHAUDE et le tuyau d'entrée d'eau FROIDE est raccordé au robinet d'eau FROIDE
- Les robinets d'eau CHAUDE et d'eau FROIDE sont ouverts
- Les raccords d'alimentation en eau ou les raccords d'arrivée d'eau de l'appareil ne présentent aucune fuite - refaites une vérification 24 heures plus tard

Tuyau de vidange

- La colonne montante ou le drain de mur est à une hauteur d'au moins 61 cm (24 po)
- Le tuyau de vidange est fixé dans le canal en « U » (inclus dans la cuve)
- Le tuyau de vidange est fixé avec l'attache (incluse dans la cuve)

Inversion de la porte

- Suivez les instructions détaillées contenues dans ce guide
- Vérifiez que la charnière et le loquet fonctionnent correctement

Alimentation en électricité

- Le système électrique de la maison est sous tension
- La laveuse est branchée

Vérifications finales

- Vous avez lu entièrement les instructions d'installation et le Guide d'utilisation et d'entretien
- La porte se verrouille et le tambour tourne lorsqu'un cycle démarre
- La carte d'enregistrement est envoyée

Exigences avant l'installation

Outils et matériel nécessaires à l'installation :



Clé universelle
fournie avec
la laveuse

OU



Clé à
molette

OU



Clé polygonale
de 3/8 po
ou de 10 mm

OU



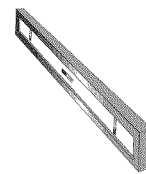
Cliquet et
ensemble
de douilles

ET



Pince
réglable

ET



Niveau de charpentier

Exigences des systèmes élect.

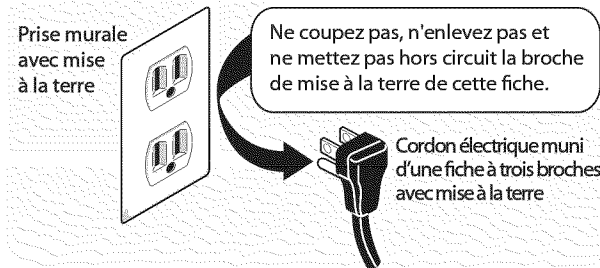
CIRCUIT - Circuit indépendant de 15 ampères, polarisé et mis à la terre, avec fusible temporisé ou disjoncteur de 15 A.

ALIMENTATION ÉLECTRIQUE - Câble monophasé à deux fils mis à la terre, 120 volts, 60 Hz; courant alternatif.

REMARQUE

Étant donné les variations de tension possibles, l'utilisation de cette laveuse avec une source d'alimentation produite par une génératrice à essence, solaire ou éolienne ou par toute autre source d'alimentation différente de celle fournie par les services publics n'est pas recommandée.

PRISE - Prise à trois alvéoles et mise à la terre située à un endroit où il est possible de raccorder le cordon d'alimentation de la laveuse une fois que cette dernière est installée.



REMARQUE

Une prise GFI (disjoncteur de fuite de terre) n'est pas nécessaire.

Exigences relatives à la mise à la terre

AVERTISSEMENT

RISQUE DE CHOC ÉLECTRIQUE

Un raccordement inadéquat du conducteur de terre de l'équipement peut accroître les risques de choc électrique. En cas de doute quant à la mise à la terre de l'appareil, consultez un électricien qualifié.

1. Cet appareil DOIT être mis à la terre. En cas de mauvais fonctionnement ou de panne, la mise à la terre diminue les risques de choc électrique en fournissant au courant électrique une trajectoire de moindre résistance.
2. Étant donné que votre laveuse est équipée d'un cordon d'alimentation pourvu d'un conducteur de mise à la terre et d'une fiche de mise à la terre, la fiche DOIT être raccordée à une prise appropriée (avec conducteurs en cuivre) correctement installée et mise à la terre conformément aux codes et

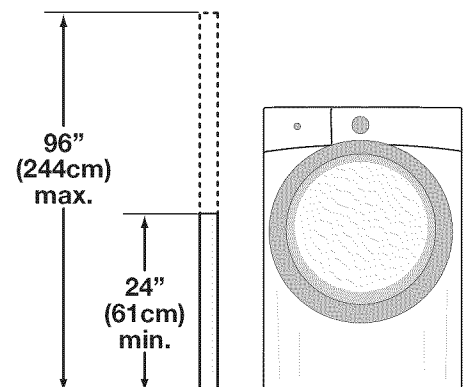
règlements locaux ou, si aucun code local ne régit ce type d'installation, à la plus récente édition du National Electrical Code (ANSI/NFPA 70). En cas de doute, faites appel à un électricien qualifié. **NE COUPEZ PAS et NE MODIFIEZ PAS** la broche de mise à la terre du cordon d'alimentation. Si votre prise murale n'est pourvue que de deux fentes, il incombe au propriétaire de faire appel à un électricien qualifié pour la remplacer par une prise à trois alvéoles et mise à la terre de façon adéquate.

Exigences relatives à l'alimentation en eau

Les robinets d'eau chaude et d'eau froide DOIVENT être installés à une distance de 107 cm (42 po) ou moins de l'arrivée d'eau de votre laveuse. Les robinets DOIVENT être de 1,9 cm (3/4 po) et filetés en fonction d'un raccordement de tuyau de laveuse. La pression de l'eau DOIT se situer entre 206,8 et 827,4 kPa (30 et 120 lb/po²). La différence de pression entre l'eau chaude et l'eau froide ne doit pas dépasser 68,9 kPa (10 lb/po²). Le service des eaux de votre localité peut vous informer sur la pression de votre alimentation en eau.

Exigences relatives au système d'évacuation

1. Le drain doit pouvoir évacuer 64,3 L (17 gal) d'eau à la minute.
2. Tuyau d'évacuation d'au moins 3,18 cm (1-1/4 po) de diamètre.
3. Le tuyau d'évacuation doit être situé entre une hauteur minimale de 61 cm (24 po) et une hauteur maximale de 96 po (244 cm)



REMARQUE

Le tuyau de vidange raccordé à la laveuse peut convenir à un tuyau d'évacuation de 201 cm (79 po) de hauteur. Pour des tuyaux d'évacuation plus hauts, utilisez le tuyau portant le numéro de pièce 137098000 que vous pouvez obtenir auprès d'un distributeur de pièces autorisé.

Exigences de dégagement

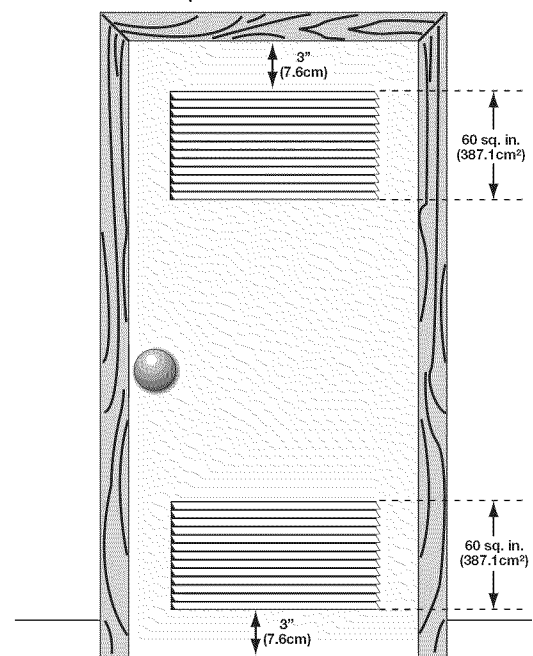
➔ IMPORTANT

N'INSTALLEZ PAS VOTRE LAVEUSE :

1. À un endroit exposé aux écoulements d'eau ou aux aléas des conditions météorologiques extérieures. La température ambiante ne devrait jamais tomber sous 15,6 °C (60 °F) afin d'optimiser l'efficacité du détergent.
2. À un endroit (garage ou bâtiment similaire) où de l'essence ou d'autres substances inflammables sont entreposées (incluant des automobiles).
3. Sur un tapis. Le plancher DOIT être solide et présenter une pente inférieure à 2,54 cm (1 po). Afin d'éviter les vibrations et le déplacement de l'appareil, il peut être nécessaire de renforcer le plancher.

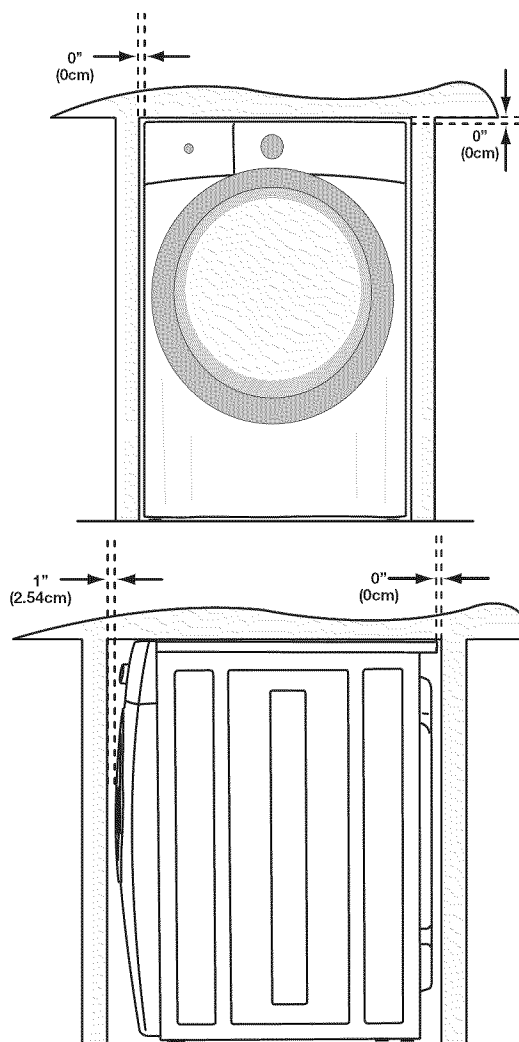
INSTALLATION DANS UN ENDROIT EN RETRAIT OU UNE ARMOIRE

Si la laveuse et la sécheuse sont installées dans le même placard, une ventilation est requise dans la porte : Une ouverture d'au moins 774,2 cm² (120 po²), divisée également au-dessus et au-dessous de la porte, est requise. Les ouvertures à persiennes doivent être situées à 7,6 cm (3 po) du haut et du bas de la porte. Les ouvertures d'aération ne doivent pas être obstruées lorsqu'une porte est installée. Une porte à persiennes dont les ouvertures sur l'ensemble de la porte sont équivalentes aux recommandations peut être utilisée.

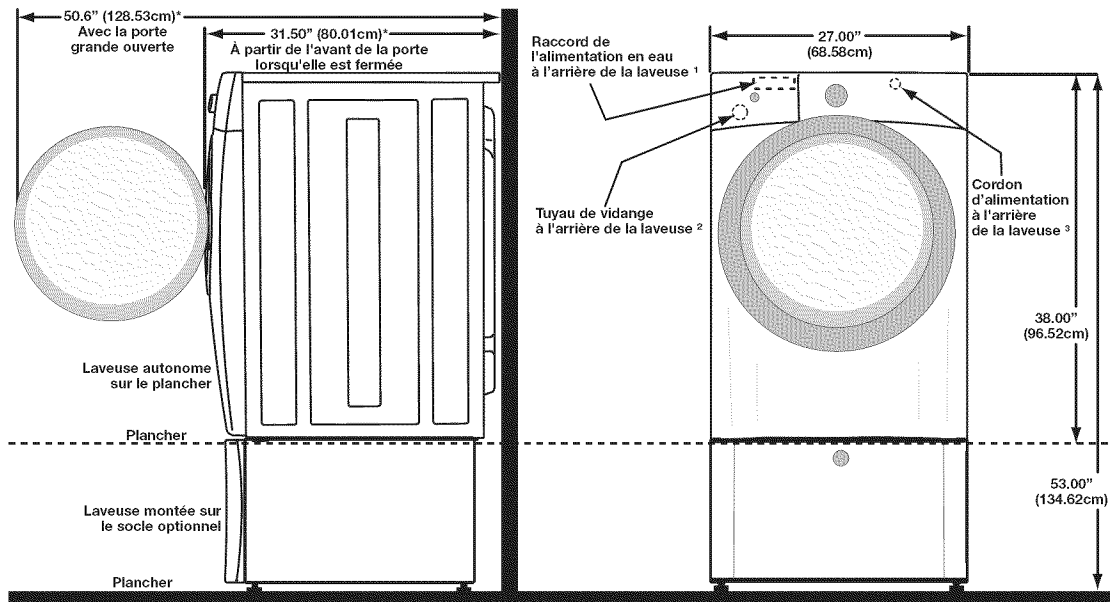


Porte de placard

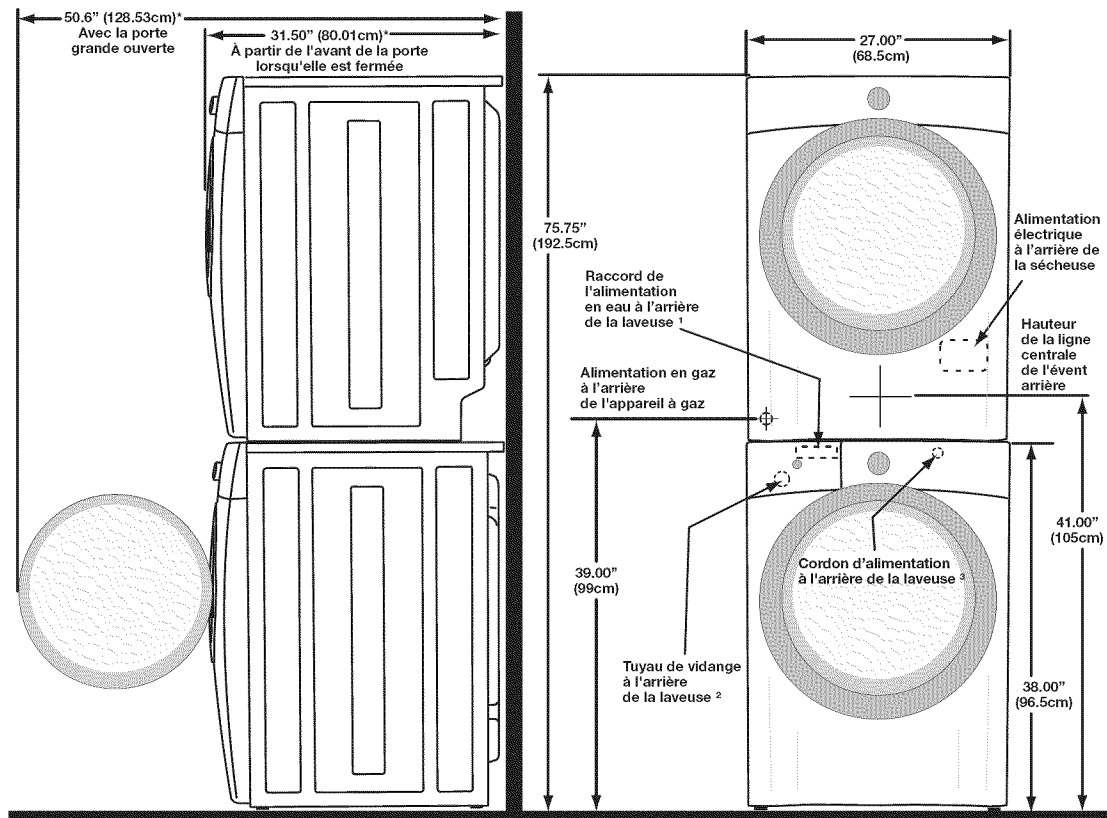
DÉGAGEMENTS MINIMAUX - Centimètres (pouces)				
	CÔTÉS	ARRIÈRE	DESSUS	AVANT
Alcôve	0 cm (0 po)	0 cm (0 po)*	0 cm (0 po)	s. o.
Sous le comptoir	0 cm (0 po)	0 cm (0 po)*	0 cm (0 po)	s. o.
Placard	0 cm (0 po)	0 cm (0 po)*	0 cm (0 po)	2,54 cm (1 po)



Dimensions, laveuse installée



- * Pour obtenir ces dimensions de profondeur minimales, la sècheuse doit être ventilée tout droit par l'arrière ou au moyen d'un coude de 90° dont la courbe est immédiate. Le raccordement du tuyau d'arrivée d'eau sur les modèles à la vapeur ajoute 2 cm (3/4 po) à la profondeur d'installation.
- ¹ La conexión de la manguera de admisión en los modelos a vapor añade 3/4" (2 cm) a la profundidad de instalación.
- ² Longueur de tuyau de vidange, environ 150 cm (59 po).
- ³ Longueur du cordon d'alimentation, environ 152,5 cm (60 po).



- * Pour obtenir ces dimensions de profondeur minimales, la sècheuse doit être ventilée tout droit par l'arrière ou au moyen d'un coude de 90° dont la courbe est immédiate. Le raccordement du tuyau d'arrivée d'eau sur les modèles à la vapeur ajoute 2 cm (3/4 po) à la profondeur d'installation.
- ¹ La conexión de la manguera de admisión en los modelos a vapor añade 3/4" (2 cm) a la profundidad de instalación.
- ² Longueur de tuyau de vidange, environ 150 cm (59 po).
- ³ Longueur du cordon d'alimentation, environ 152,5 cm (60 po).

Retrait de l'emballage en mousse

AVERTISSEMENT

RISQUE D'ÉTOUFFEMENT

Détruisez le carton d'emballage et les sacs en plastique après avoir déballé l'appareil. Les enfants pourraient les utiliser pour jouer. Le carton recouvert de tapis, les couvertures et les feuilles de plastique peuvent être étanches à l'air et provoquer la suffocation. Déposez tous les matériaux d'emballage dans un conteneur à déchets ou faites en sorte que les enfants ne puissent y avoir accès.

1. Retirez temporairement le ruban de la porte.
2. Ouvrez la porte de la laveuse et retirez tout ce qui se trouve dans le tambour.
3. Fermez la porte et posez le ruban de porte à nouveau.
4. Pour protéger le plancher, utilisez un tapis, une couverture ou une pièce de carton et couchez la laveuse sur le côté arrière.

ATTENTION

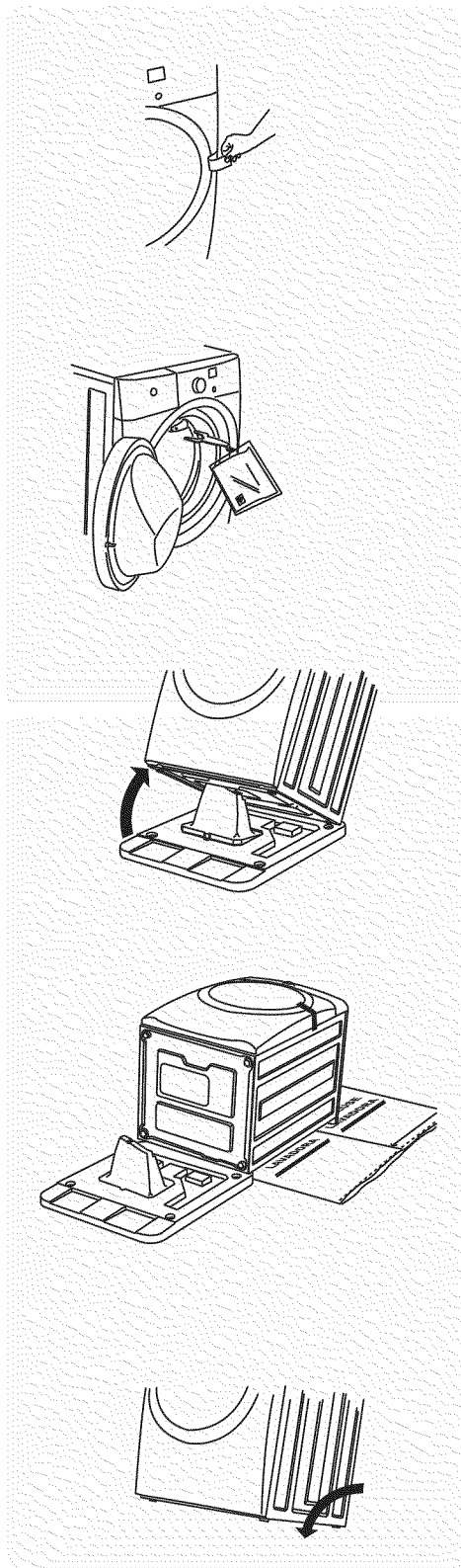
DANGER DE POIDS EXCESSIF

Pour éviter les blessures au dos ou d'autres types de blessure, demandez l'aide d'autres personnes pour déplacer ou soulever la laveuse.

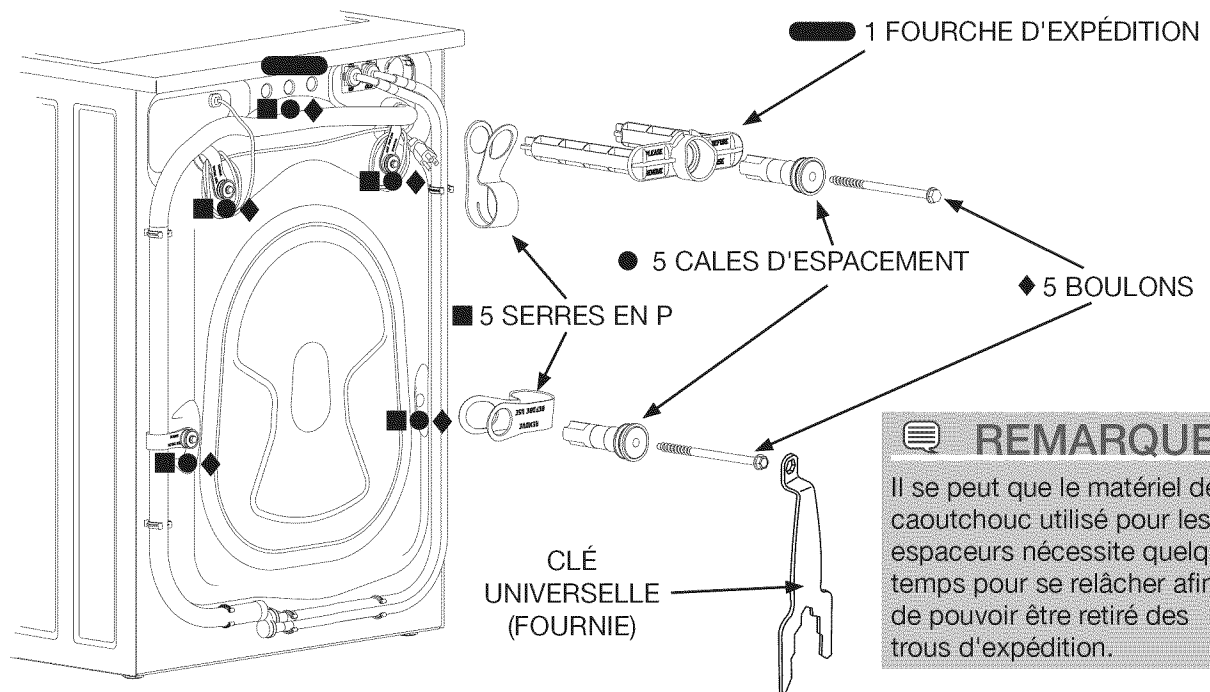
5. Retirez la base en styromousse et le bouchon d'expédition; mettez-les de côté.
6. Remettez soigneusement la laveuse en position verticale.
7. Déplacez soigneusement la laveuse à moins de 1,2 m (4 pi) de son emplacement définitif.

IMPORTANT

Conservez la base en styromousse et le bouchon d'expédition afin d'éviter d'endommager l'appareil dans le cas d'un déplacement éventuel.



Retrait de la quincaillerie d'expédition



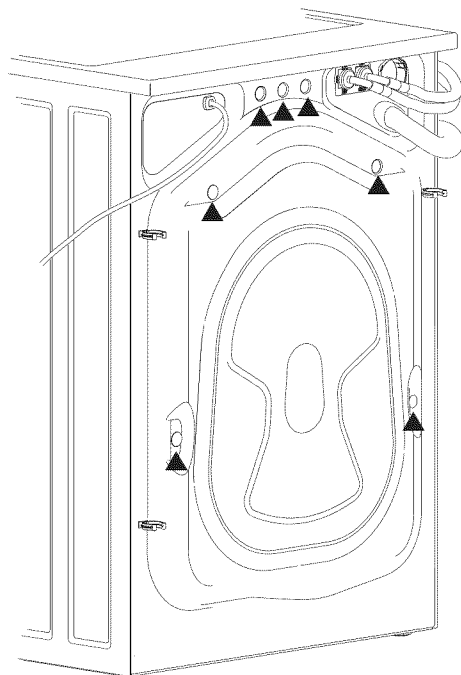
Retirez les composants suivants :

- 1 FOURCHE D'EXPÉDITION
- 5 CALES D'ESPACEMENT
- 5 SERRES EN P 5 BOULONS

➔ IMPORTANT

Conservez les boulons et cales d'espacement d'expédition pour un usage ultérieur. Si la laveuse doit être transportée plus tard, ces pièces d'expédition doivent être installées pour éviter de l'endommager.

Pose des bouchons



Trouvez les 7 bouchons du petit sac fourni avec les guides de votre laveuse. Insérez-les dans les trous du panneau arrière de la laveuse.

▲ 7 BOUCHONS
(DANS UN SAC)

Mise à niveau de votre appareil

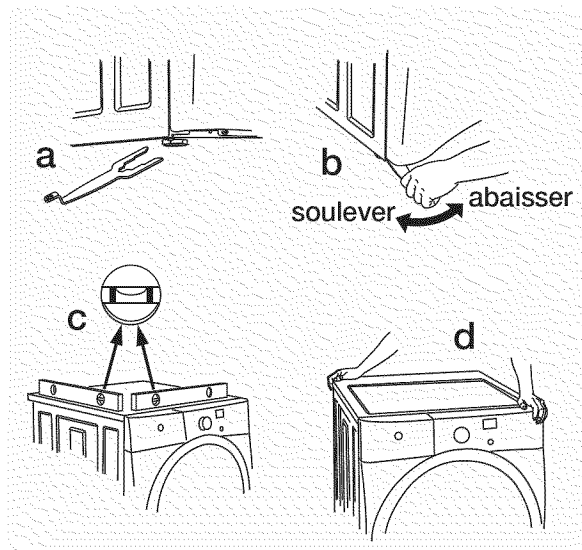
Les bruits excessifs et les vibrations peuvent être évités en mettant correctement la laveuse à niveau.

1. Pour une installation autonome où la laveuse est à moins de 1,2 m (4 pi) de son emplacement définitif, placez un niveau sur le dessus de l'appareil.
2. Utilisez la clé universelle pour ajuster les pieds de mise à niveau de façon à ce que la laveuse soit de niveau d'avant en arrière et latéralement, et qu'elle soit stable aux quatre coins.
3. Appuyez sur chaque coin et chaque côté pour déterminer les endroits qui nécessitent un réglage. Ajustez les pieds de mise à niveau appropriés de manière à ce que la laveuse repose solidement sur ses QUATRE pieds. Gardez les pieds de mise à niveau le plus près possible de la laveuse afin d'optimiser le rendement de la laveuse.



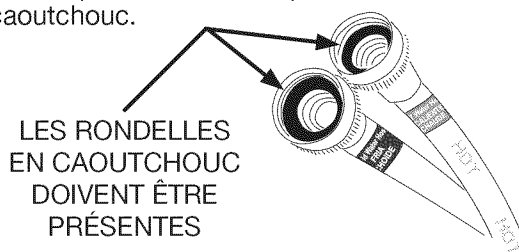
REMARQUE

Pour une installation sur socle, reportez-vous aux instructions d'installation complémentaires incluses avec le socle.



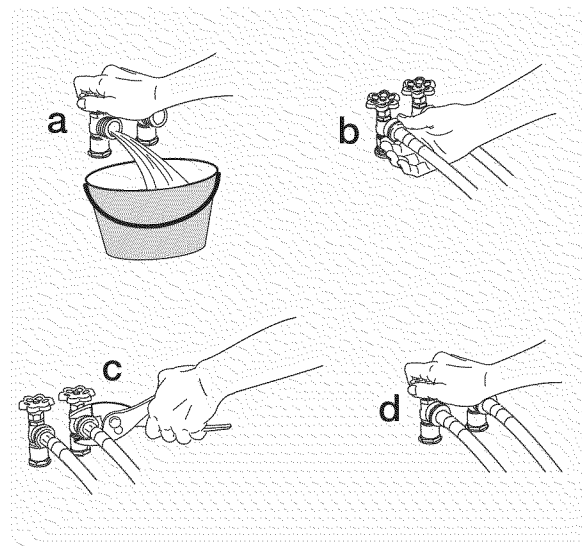
Branchement de l'entrée d'eau

1. Faites couler de l'eau chaude et froide des robinets pour purger les tuyaux d'eau, pour éliminer toute particule qui pourrait obstruer les grillages des robinets, et pour déterminer quels robinets fournissent l'eau chaude et l'eau froide.
2. Regardez dans l'extrémité de chaque tuyau d'entrée d'eau pour confirmer la présence de rondelles en caoutchouc.



REMARQUE

Les tuyaux d'entrée d'eau CHAUDE et FROIDE sont dotés d'un code de couleur. Le tuyau d'entrée d'eau CHAUDE est marqué d'une bande ROUGE et le tuyau d'entrée d'eau FROIDE est marqué d'une bande BLEUE.



3. Branchez le tuyau d'entrée d'eau CHAUDE au robinet d'eau CHAUDE, et le tuyau d'eau d'entrée d'eau FROIDE au robinet d'eau FROIDE. Serrez fermement à la main.
4. Avec des pinces, serrez chaque raccord de 2/3 de tour. **Ne pliez pas, n'entortillez pas et ne coincez pas les tuyaux d'alimentation en eau.**
5. Ouvrez les robinets et vérifiez la présence de fuites.

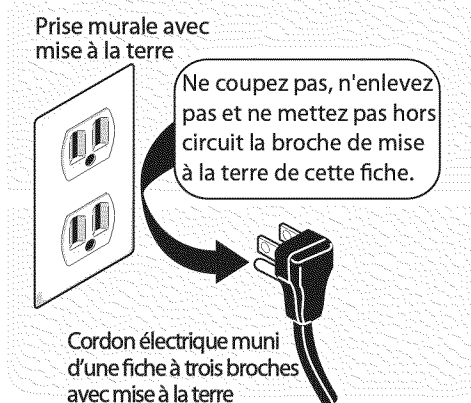
Branchement électrique et branchement du tuyau de vidange

1. Fixez l'une des extrémités du crochet du tuyau de vidange (inclus dans la cuve) au tuyau de vidange. Continuez de l'enrouler autour du crochet et pincez-le en position.
2. Placez le côté du tuyau de vidange en forme de crochet dans l'ouverture du tuyau d'évacuation. Fixez le tuyau de vidange au moyen d'une attache (incluse dans la trousse d'installation fournie) au tuyau d'évacuation, au tuyau d'entrée, à la cuve à lessive, etc. de façon à ce que le tuyau ne puisse être arraché sous la force de l'eau.

➔ IMPORTANT

Assurez-vous que l'alimentation électrique est coupée au disjoncteur ou au boîtier de fusibles avant de brancher le cordon d'alimentation dans une prise électrique.

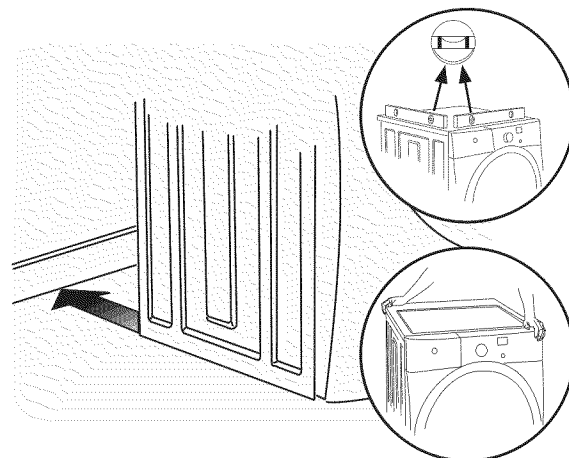
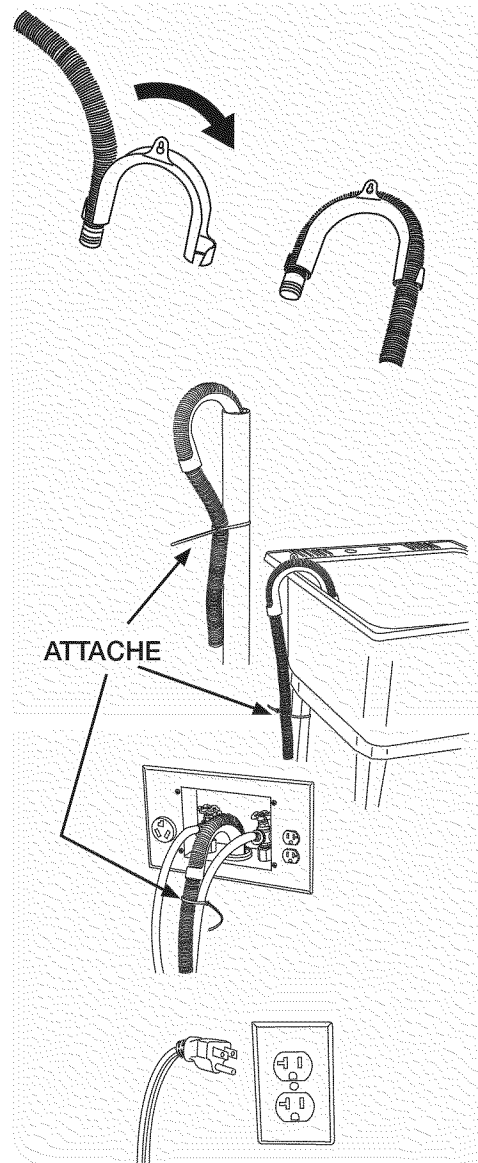
3. Branchez le cordon d'alimentation à la prise électrique mise à la terre.



4. Ouvrez l'alimentation électrique au disjoncteur ou au boîtier de fusibles.
5. Faites glisser soigneusement la laveuse à son emplacement définitif. Vérifiez à nouveau la stabilité de l'appareil. Retirez et jetez le ruban de la porte.
6. Reportez-vous au *Guide d'utilisation et d'entretien* fourni avec la laveuse. Il contient des renseignements très utiles qui vous permettent d'économiser temps et argent.
7. Reportez-vous à la page suivante pour savoir comment effectuer un « programme d'installation » rapide et pratique pour votre nouvelle laveuse.
8. Pour toute question relative à l'utilisation initiale, veuillez revoir la section intitulée « Liste de vérification avant service » de votre *Guide d'utilisation et d'entretien* avant d'effectuer une demande de service.
9. Laissez ces instructions à proximité de la laveuse pour vous y reporter ultérieurement.

💬 REMARQUE

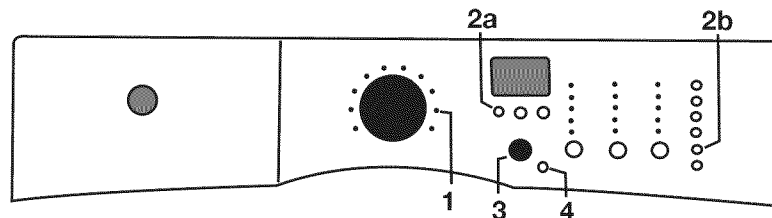
Un schéma électrique et une fiche technique sont situés sous le panneau supérieur de la laveuse, au-dessus du logement de distributeur de détergent.



Programme d'installation

En disposant la laveuse dans son emplacement définitif, faites démarrer le programme d'installation pour procéder à une installation adéquate.

Si votre laveuse est munie de cette console :



1. Videz la cuve de la laveuse, puis fermez la porte.
2. Après avoir branché la laveuse pour la première fois : réactivez la laveuse en appuyant sur n'importe quel bouton, tournez le bouton des programmes à partir de la position inférieure droite (1), appuyez sur **START** (bouton 3), puis sur **CANCEL** (bouton 4).
3. Réactivez la laveuse à nouveau en appuyant sur n'importe quel bouton, puis appuyez immédiatement et simultanément sur les boutons 2a et 2b pendant 5 secondes ou jusqu'à ce que l'affichage ACL se modifie.
4. L'afficheur ACL indiquera le message **INSTAL CYCLE** (Programme d'installation) suivi du temps approximatif de la durée du programme. Appuyez sur le bouton **START** (bouton 3). Le cycle d'installation va effectuer diverses routines de diagnostic. À la fin du programme, l'écran ACL affichera peut-être le message **INSTAL PASS!** (Installation réussie), ce qui signifie que votre nouvelle laveuse est bien installée et prête à être utilisée. Si l'écran affiche un message comme **NO WATER** (Pas d'eau), **CHECK HOSES** (Vérifier les tuyaux) ou **CALL SERVICE 877 435 3287** (Placer un appel de service au 1 877 435-3287), vérifiez chaque étape d'installation et apportez les correctifs nécessaires avant d'utiliser votre appareil.
5. La laveuse quittera le programme **INSTALL CYCLE** (Programme d'installation) et reviendra à son mode de fonctionnement normal la prochaine fois que vous la réactivez.

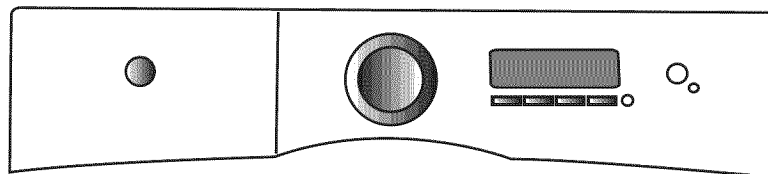


REMARQUE

La laveuse demeurera activée pendant trois minutes après la fin du programme d'installation. Si vous souhaitez utiliser l'appareil pour un cycle de lavage, appuyez sur le bouton **CANCEL** (Annuler) pour mettre l'appareil en mode de veille, puis réactivez-le immédiatement pour continuer au mode de fonctionnement normal.

6. Veuillez lire le *Guide d'utilisation et d'entretien* et profitez de votre nouvelle laveuse de qualité!

Si votre laveuse est munie de cette console :



1. Après avoir branché la laveuse pour la première fois : réactivez la laveuse en appuyant sur n'importe quel bouton et suivez les instructions qui s'affichent sur l'interface utilisateur ACL, y compris le choix de la langue.
2. Le cycle d'installation va effectuer diverses routines de diagnostic. À la fin du programme, l'écran ACL affichera peut-être le message **INSTAL PASS!** (Installation réussie), ce qui signifie que votre nouvelle laveuse est bien installée et prête à être utilisée. Si l'écran affiche un message comme **NO WATER** (Pas d'eau), **CHECK HOSES** (Vérifier les tuyaux) ou **CALL SERVICE 877 435 3287** (Placer un appel de service au 1 877 435-3287), vérifiez chaque étape d'installation et apportez les correctifs nécessaires avant d'utiliser votre appareil.
3. La laveuse quittera le programme **INSTALL CYCLE** (Programme d'installation) et reviendra à son mode de fonctionnement normal la prochaine fois que vous la réactivez.



REMARQUE

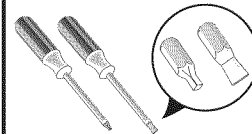
La laveuse demeurera activée pendant trois minutes après la fin du programme d'installation. Si vous souhaitez utiliser l'appareil pour un cycle de lavage, appuyez sur le bouton **CANCEL** (Annuler) pour mettre l'appareil en mode de veille, puis réactivez-le immédiatement pour continuer au mode de fonctionnement normal.

4. Veuillez lire le *Guide d'utilisation et d'entretien* et profitez de votre nouvelle laveuse de qualité!

Préparation à l'inversion de la porte

- 1 Assurez-vous qu'il y a suffisamment d'espace avant d'inverser la porte.
- 2 Vous aurez besoin d'un tournevis à pointe carrée n° 2.
- 3 Protégez la surface de travail, comme le dessus de la laveuse ou le plancher près de la laveuse, avec un chiffon doux ou une serviette.
- 4 Assurez-vous que la laveuse n'est pas branchée à une source d'alimentation!

Outils nécessaires :



Tournevis avec embouts carré no 2 et droit

AVERTISSEMENT

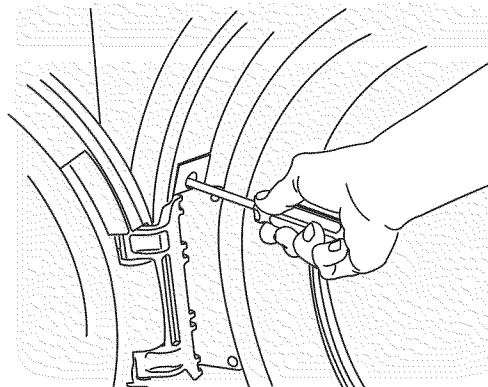
RISQUE DE CHOC ÉLECTRIQUE

Le fait de ne pas débrancher l'appareil de sa source d'alimentation en électricité avant son entretien peut causer des blessures, voire la mort.

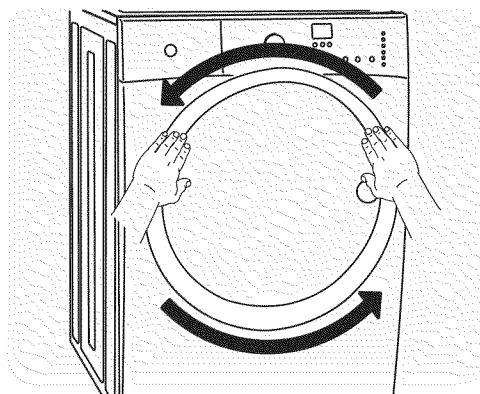
Retrait de la porte et de la quincaillerie

A) Retrait de l'anneau de garniture

- 1 Ouvrez la porte à un angle de 90 degrés.
- 2 Retirez et conservez le bouchon de garniture et la longue vis à tête cylindrique large et filets grossiers.

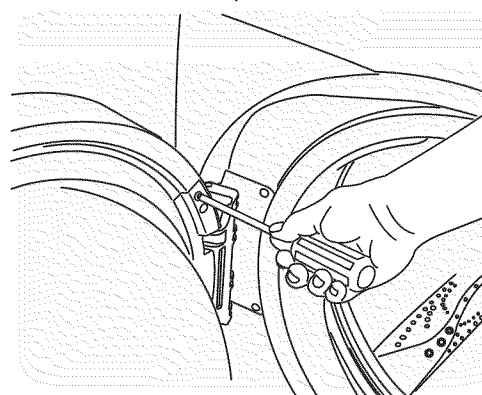


- 3 Fermez la porte.
- 4 Faites tourner la garniture de porte environ 20 mm (3/4 po) dans le sens antihoraire et retirez-la de la porte.

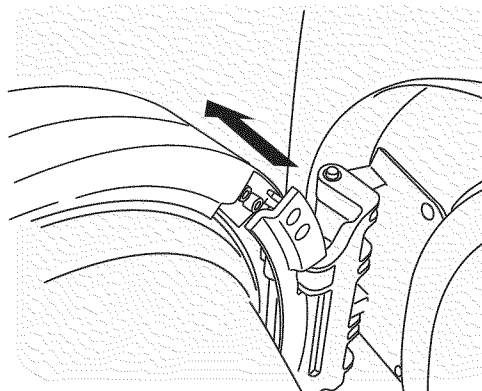


B) Retrait de la porte de la charnière

- 1 Ouvrez à nouveau la porte à un angle de 90 degrés.
- 2 Retirez les quatre vis longues à tête fraisée de charnière de la porte.



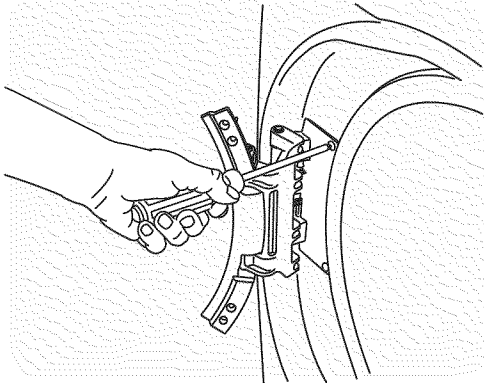
- 3 En soutenant le poids de la porte avec vos deux mains, séparez la porte de la charnière.



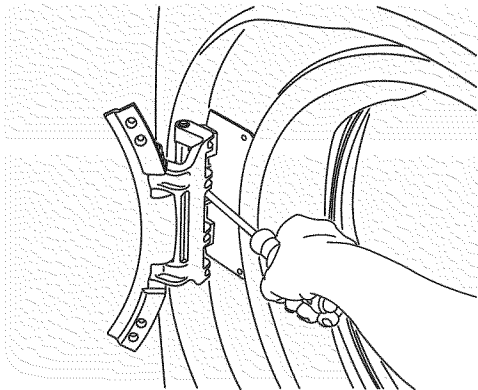
- 4 Placez soigneusement la porte face contre terre sur la surface de travail protégée.

C) Retrait de la charnière du panneau avant

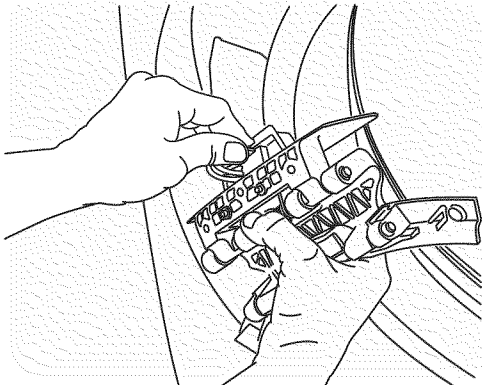
- 1 Avec la charnière en position ouverte, retirez les deux vis courtes à tête cylindrique large de la plaque de charnière.



- 2 Retirez les trois vis courtes à tête fraisée de la charnière latérale.

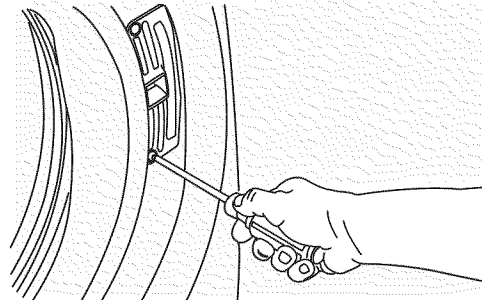


- 3 Faites glisser la charnière vers le centre du panneau avant, puis faites-la pivoter lentement vers l'intérieur en l'éloignant du panneau avant de manière à apercevoir le faisceau qui y est branché.
- 4 Soulevez la languette et dégagez le faisceau du dispositif de retenue. Laissez reposer le faisceau à l'extérieur du panneau avant.

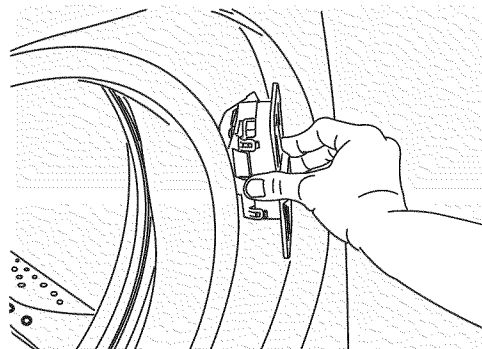


D) Retrait du loquet de porte du panneau avant

- 1 Retirez les deux vis courtes à tête cylindrique large du loquet de porte.



- 2 Faites glisser le loquet vers le rebord externe du panneau avant. Faites pivoter le loquet légèrement vers l'extérieur en le tirant doucement dans l'ouverture pour apercevoir le faisceau qui y est branché.

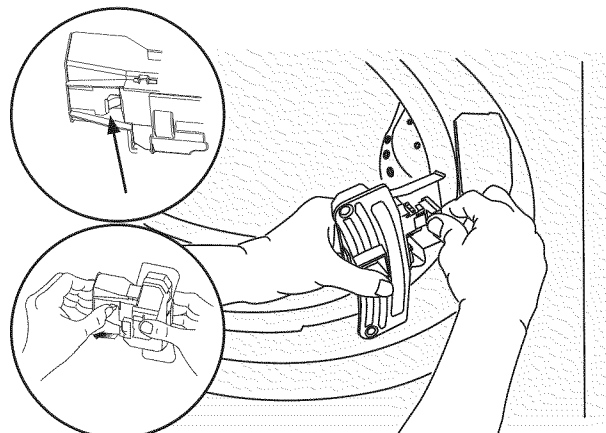


⚠ AVERTISSEMENT

RISQUE DE CHOC ÉLECTRIQUE

Le fait de ne pas débrancher l'appareil de sa source d'alimentation en électricité avant son entretien peut causer des blessures, voire la mort.

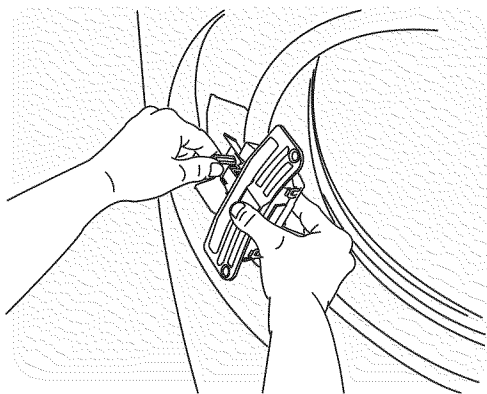
- 3 Dégagez le faisceau du connecteur muni du petit levier derrière le loquet. Séparez le faisceau du loquet et laissez pendre le faisceau à l'extérieur du panneau avant.



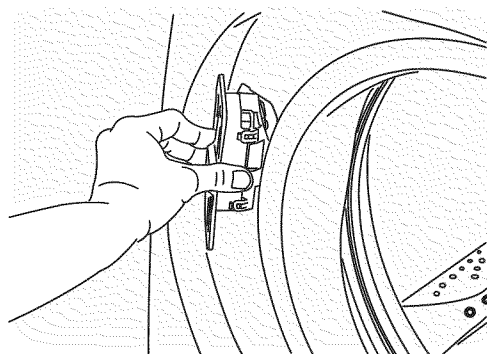
Inversion de la porte et de la quincaillerie

E) Remontage du loquet de porte au panneau avant

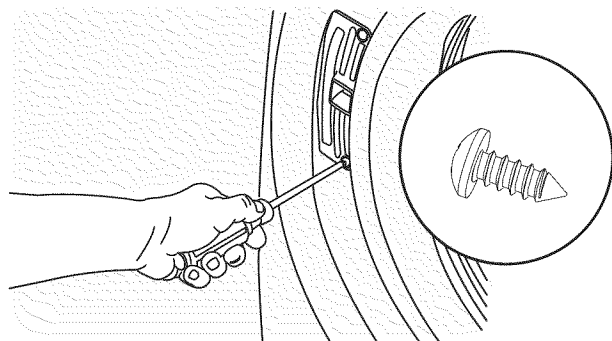
- 1 Faites pivoter le loquet de porte et déplacez-le du côté opposé de l'ouverture.
- 2 Branchez le faisceau au loquet de porte en l'insérant dans le connecteur et en appuyant fermement.



- 3 Insérez premièrement le connecteur de faisceau dans le panneau avant, puis faites pivoter le loquet jusqu'à ce qu'il soit bien ajusté. Faites glisser le loquet vers le centre du panneau avant, de manière à aligner les trous de vis.

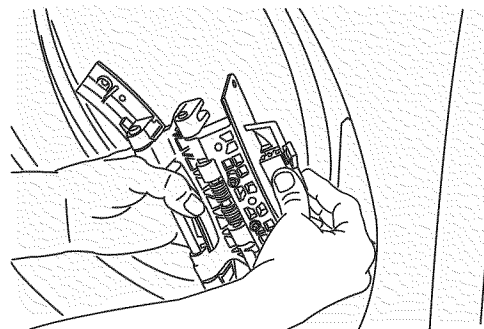


- 4 Fixez le loquet avec les deux vis courtes à tête cylindrique large.

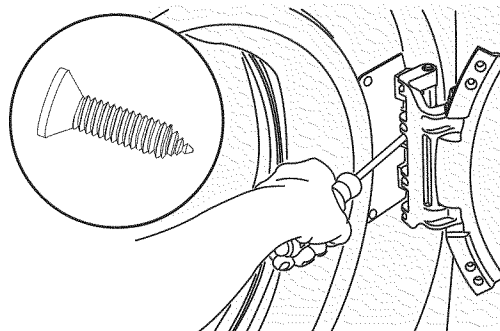


F) Remontage de la charnière au panneau avant

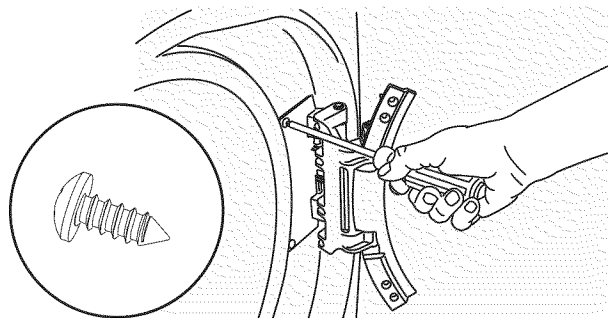
- 1 Faites pivoter la charnière et déplacez-la du côté opposé de l'ouverture.
- 2 Raccordez le faisceau au dispositif de retenue de la charnière en l'insérant dans la borne de retenue, et en poussant doucement jusqu'au déclic de la languette de fixation.
- 3 Tirez soigneusement sur le faisceau pour vérifier s'il est bien fixé.



- 4 Utilisez les tiges de positionnement pour aligner la charnière et posez une vis courte à tête fraisée dans le trou central de la charnière latérale.

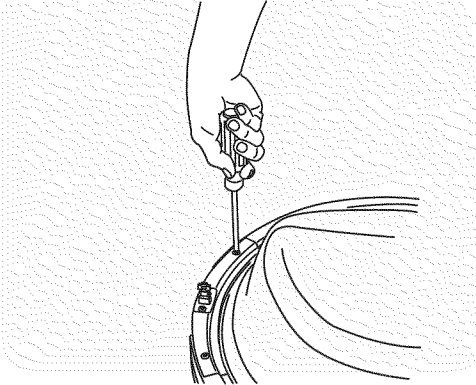


- 5 Utilisez deux autres vis courtes à tête fraisée dans les trous supérieur et inférieur de la charnière latérale.
- 6 Posez deux vis courtes à tête cylindrique large dans la plaque de charnière.



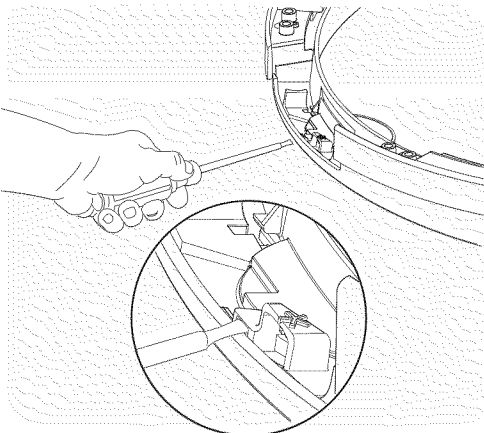
G) Retrait de la plaque-percuteur

- 1 Retirez les deux vis longues à tête fraisée et la plaque-percuteur.

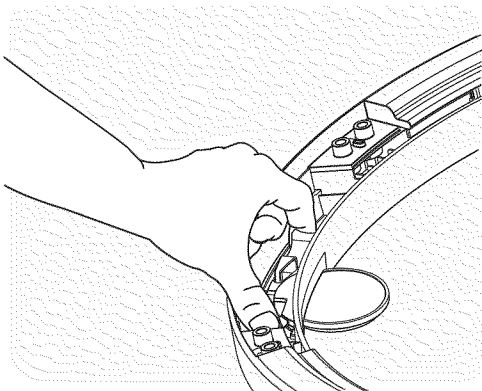


- 2 Réservez la plaque-percuteur pour une utilisation ultérieure.

H) Retrait du voyant de loquet

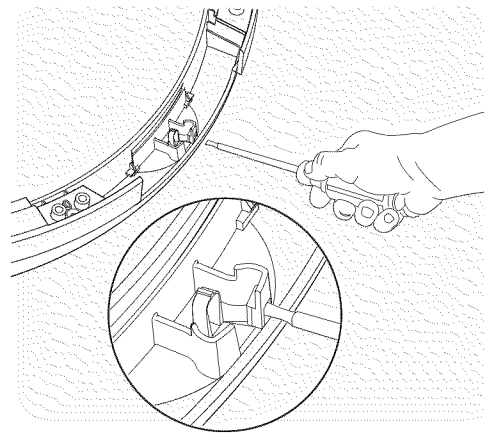


- 1 Insérez un tournevis à pointe plate dans la fente ouverte du voyant de loquet.
- 2 Soulevez légèrement la languette pour la dégager.

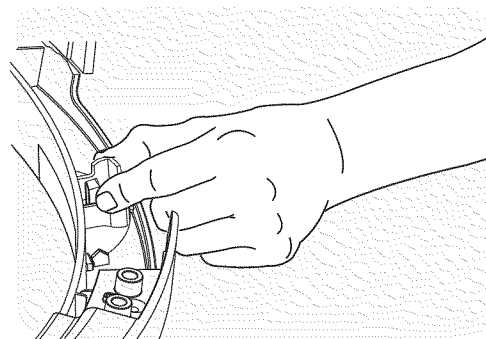


- 3 Dégagez le voyant et mettez-le de côté.

I) Retrait du bouchon



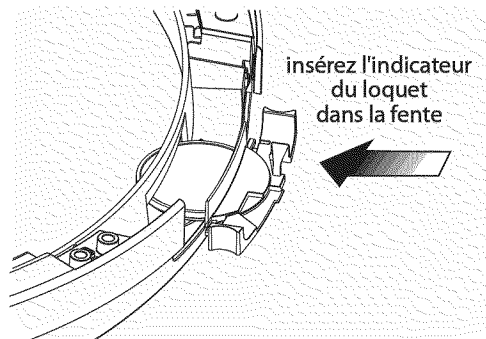
- 1 Insérez un tournevis à pointe plate dans la fente ouverte du bouchon.
- 2 Soulevez légèrement la languette pour la dégager.



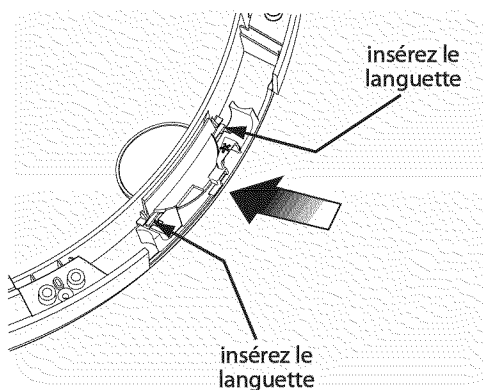
- 3 Dégagez le bouchon et mettez-le de côté.

J) Réinstallation du voyant de loquet

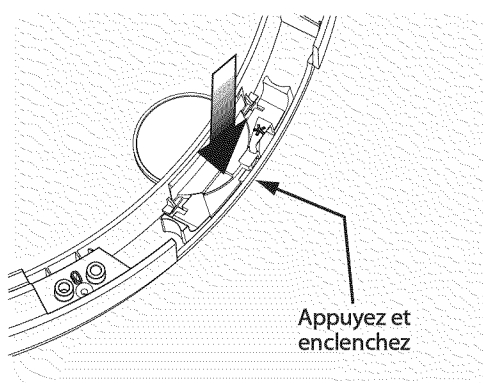
- 1 Faites pivoter le voyant de loquet et déplacez-le dans le trou opposé de la porte.



- 2 Insérez solidement les deux petites languettes d'un côté ou de l'autre du voyant de loquet dans les deux fentes d'un côté ou de l'autre du trou de la porte.

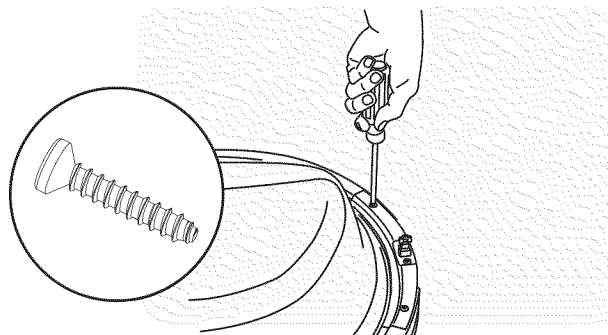


- 3 Appuyez fermement sur le voyant jusqu'à ce que la languette s'enclenche en position.



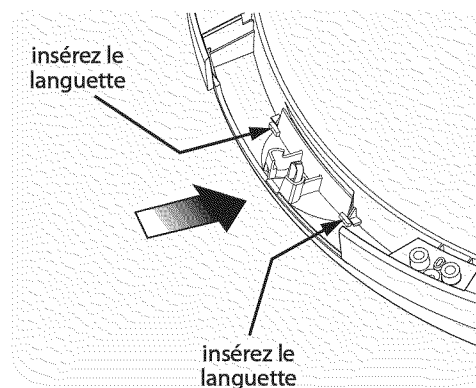
K) Remontage de la plaque-percuteur

- 1 Faites pivoter la plaque-percuteur et déplacez-la du côté opposé de la porte, au-dessus du voyant.
- 2 Réinstallez les deux vis longues à tête fraisée.

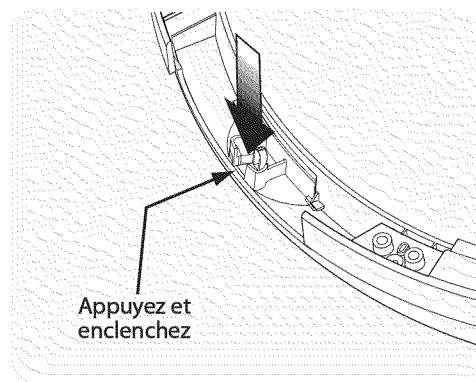


L) Réinstallation du bouchon

- 1 Faites pivoter le bouchon et déplacez-le dans le trou opposé de la porte.
- 2 Insérez solidement les deux petites languettes d'un côté ou de l'autre du bouchon dans les deux fentes d'un côté ou de l'autre du trou de la porte.



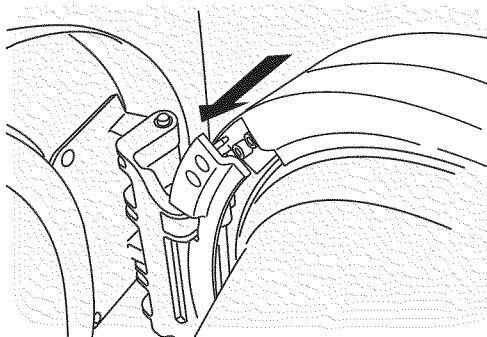
- 3 Appuyez fermement sur le bouchon jusqu'à ce que la languette s'enclenche en position.



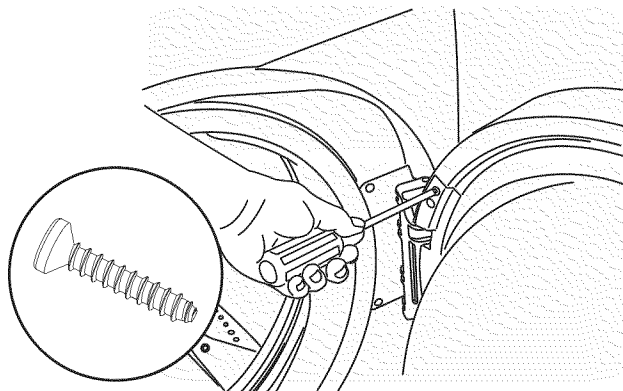
Remontage de la porte et de la quincaillerie

M) Remontage de la porte

- 1 Ouvrez la charnière à un angle de 90 degrés.
- 2 Installez la porte sur les tiges de positionnement de la charnière.



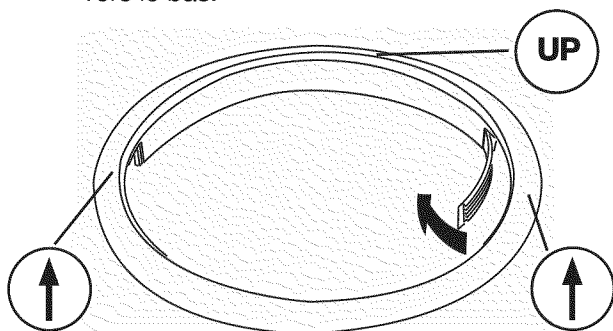
- 3 Fixez la porte avec les quatre vis longues à tête fraisée.



- 4 Fermez la porte et vérifiez le fonctionnement du loquet.

N) Inversion de l'anneau de garniture

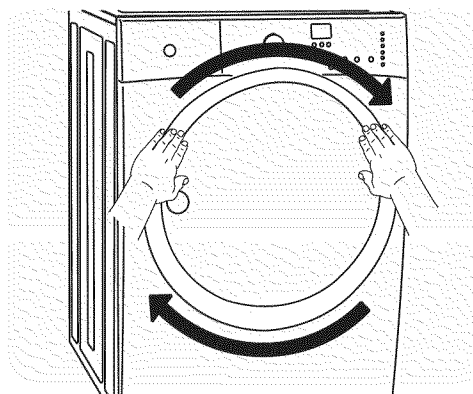
- 1 Le sens de l'anneau de garniture est inscrit à l'arrière.
- 2 Retirez le couvercle de l'anneau de garniture. Pour retirer le couvercle de la droite, le point de pivot est vers le haut. Pour retirer le couvercle de la gauche, le point de pivot est vers le bas.



- 3 Faites tourner le couvercle de l'anneau de garniture. Déplacez-le vers l'ouverture opposée de la garniture et réinsérez-le.

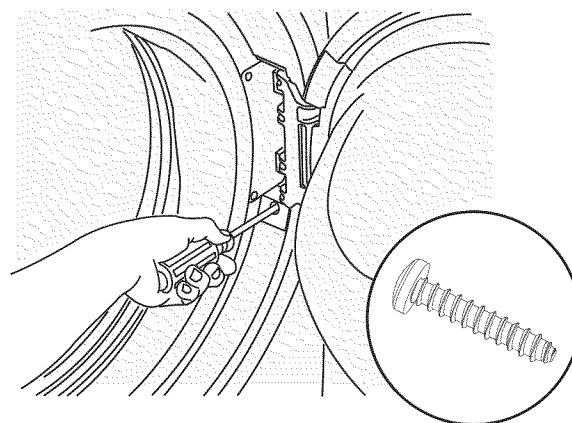
O) Réinstallation de l'anneau de garniture

- 1 Fermez la porte.
- 2 Dirigez la garniture de manière à ce que la position 12 soit à environ 20 mm (3/4 po) à la gauche du point haut central. L'ouverture de l'anneau de garniture devrait être du côté de la charnière.
- 3 Insérez l'anneau de garniture dans les fentes et tournez-le dans le sens horaire environ 20 mm (3/4 po).



P) Réinstallation du bouchon de l'anneau de garniture

- 1 Ouvrez la porte à un angle de 90 degrés.
- 2 Installez le bouchon de garniture avec la longue vis à tête cylindrique large et filets grossiers.



Q) Branchez l'appareil et poursuivez l'utilisation.

Accessoires

SOCLE DE RANGEMENT ASSORTI*

- Socle Blanc des îles - Pièce n° EPWD15IW
- Socle Bleu méditerranéen - Pièce n° EPWD15MB
- Socle Sables argentés - Pièce n° EPWD15SS
- Socle Ciel turquoise - Pièce n° EPWD15TS
- Socle Rouge - Pièce n° EPWD15RR
- Socle Vert Kelly - Pièce n° EPWD15KG

Un socle de rangement, conçu expressément pour cette laveuse, peut être utilisé afin de soulever votre appareil, facilitant ainsi son utilisation. Le socle ajoute environ 38,1 cm (15 po) à votre laveuse, pour une hauteur totale de 134,62 cm (53 po).

*Il se peut que d'autres couleurs soient disponibles. Communiquez avec le marchand qui vous a vendu votre laveuse.

NÉCESSAIRE DE SUPERPOSITION DE SÉCHEUSE

PIÈCE N° 134700400

Selon le modèle que vous avez acheté, il se peut qu'un nécessaire pour superposer cette sècheuse sur une laveuse assortie ait été inclus dans l'achat initial de votre sècheuse. Si votre modèle ne comprenait pas de nécessaire de superposition ou que vous en désirez un autre, il vous est possible d'en commander un.

NÉCESSAIRE DE RALLONGE DE TUYAU DE VIDANGE

PIÈCE N° 137098000

Pour atteindre un tuyau d'évacuation qui est trop haut ou trop loin pour la longueur de tuyau fournie, commandez le NÉCESSAIRE DE RALLONGE DE TUYAU DE VIDANGE.

TROUSSE D'INSTALLATION DE MAISON MOBILE

PIÈCE N° 137067200

Toute installation dans une maison mobile nécessite l'utilisation d'une TROUSSE D'INSTALLATION DE MAISON MOBILE.

CLÉ D'APPAREIL UNIVERSELLE

PIÈCE N° 137019200

Votre laveuse est fournie avec une CLÉ D'APPAREIL UNIVERSELLE. Si vous souhaitez obtenir une autre clé, vous pouvez la commander.

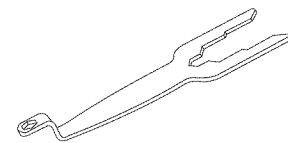
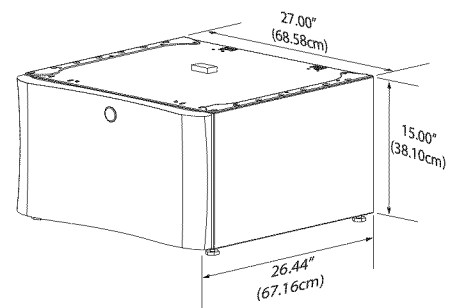
CRAYONS DE PEINTURE DE RETOUCHE*

- Crayon de retouche Blanc des îles - Pièce n° 5304468812
- Crayon de retouche Bleu méditerranéen - Pièce n° 5304468813
- Crayon de retouche Sables argentés - Pièce n° 5304468814
- Crayon de retouche Ciel turquoise - Pièce n° 5304468815
- Crayon de retouche Rouge - Pièce n° 5304471226
- Crayon de retouche Vert Kelly - Pièce n° 5304471231

*Il se peut que d'autres couleurs soient disponibles. Communiquez avec le marchand qui vous a vendu votre laveuse.

ATTENTION

Tout défaut d'utiliser les accessoires fabriqués ou certifiés par le fabricant pourrait entraîner des blessures, des dommages aux biens ou à la laveuse.



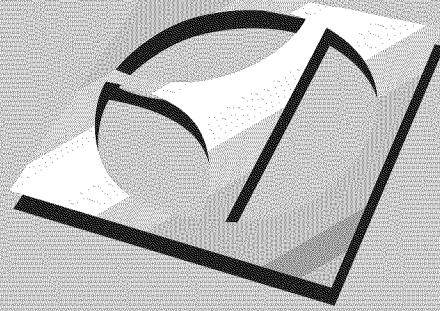
Pièces de rechange : 1 877 4ELECTROLUX (1 877 435-3287)

Si vous devez commander des pièces de rechange pour votre laveuse, communiquez avec le marchand qui vous a vendu votre appareil, composez le 1 877 4ELECTROLUX (1 877 435-3287), ou visitez notre site Web à l'adresse www.electroluxappliances.com, pour connaître le distributeur de pièces autorisé Electrolux le plus près de chez vous.

AVERTISSEMENT

RISQUE ÉLECTRIQUE

Étiquetez tous les fils avant de les débrancher pendant l'entretien des commandes. Des erreurs de câblage pourraient nuire au bon fonctionnement de l'appareil, et même être dangereuses. Vérifiez le bon fonctionnement de l'appareil après tout entretien.



Installation Instructions

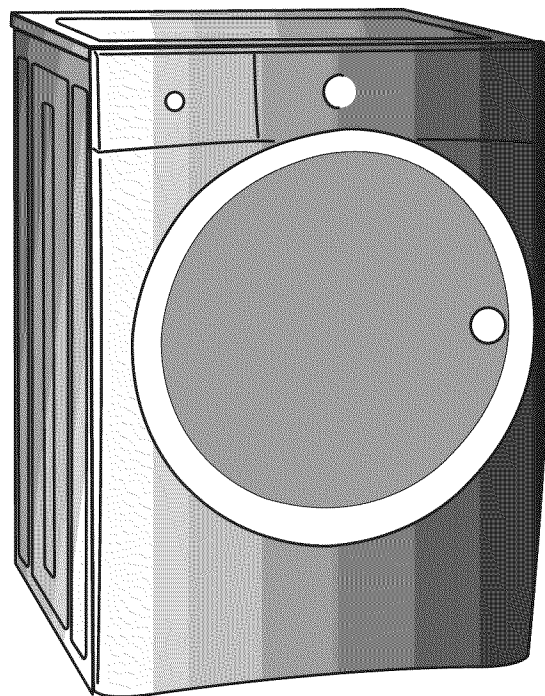
Electrolux Front-Load Washer

Instructions d'installation

Laveuse à chargement frontal Electrolux

Instrucciones de Instalación

Lavadora de carga frontal Electrolux




 **Electrolux**

ADVERTENCIA

Para su seguridad, debe seguir la información de esta guía para minimizar el riesgo de incendio o explosión o para evitar daños a la propiedad, lesiones personales o incluso la muerte. No almacene ni utilice gasolina ni otros líquidos o vapores inflamables cerca de este o de cualquier otro electrodoméstico.

Identificación de los símbolos, palabras y avisos de seguridad

Las indicaciones de seguridad incluidas en este manual aparecen precedidas de un aviso titulado "ADVERTENCIA" o "PRECAUCIÓN", de acuerdo con el nivel de riesgo.

 **ADVERTENCIA** Este símbolo le advierte sobre situaciones que pueden causar lesiones personales graves, la muerte o daños materiales.

 **PRECAUCIÓN** Este símbolo le advierte sobre situaciones que pueden causar lesiones personales o daños materiales.

ADVERTENCIA

PELIGRO DE INCENDIO - Lea las siguientes instrucciones antes de instalar y utilizar este electrodoméstico:

- Después de desembalar la lavadora, destruya los cartones y las bolsas de plástico. Los niños podrían utilizarlos para jugar. Los cartones cubiertos con alfombras, cubrecamas, o láminas de plástico pueden convertirse en cámaras de aire herméticamente cerradas y provocar asfixia. Coloque todos los materiales en un basurero o manténgalos fuera del alcance de los niños.
- Para su seguridad, debe seguir la información de esta guía para minimizar el riesgo de incendio o explosión o para evitar daños a la propiedad, lesiones personales o incluso la muerte. No almacene ni utilice gasolina ni otros líquidos o vapores inflamables cerca de este o de cualquier otro electrodoméstico.
- Instale la lavadora de ropa de acuerdo con las instrucciones del fabricante y los códigos locales.
- La reparación eléctrica de la lavadora debe cumplimentar los códigos y las ordenanzas locales y la última edición del Código Eléctrico Nacional (National Electrical Code), el ANSI/NFPA 70, o bien en Canadá, el CSA C22.1 del Código Eléctrico de Canadá (Canadian Electrical Code) Parte 1.
- Para evitar lesiones en la espalda u otro tipo de lesiones, procure levantar o mover la lavadora con la ayuda de más de una persona.
- No apile la secadora sobre la lavadora si ya está instalada sobre un pedestal. No apile la lavadora sobre la secadora. No apile la lavadora sobre otra lavadora.
- Las instrucciones de esta guía y todo el material que se incluye con esta secadora no tienen como propósito cubrir todas las condiciones y situaciones que puedan presentarse. Cuando instale, opere o repare cualquier artefacto DEBE tener cuidado y hacer uso de buenas prácticas de seguridad.

QUÉ HACER SI SIENTE OLOR A GAS:

- No intente encender ningún electrodoméstico.
- No toque ningún interruptor eléctrico; no utilice ningún teléfono en la vivienda.
- Despeje la habitación, el edificio o el área de todos los ocupantes.
- Llame inmediatamente a su proveedor de gas desde el teléfono de un vecino. Siga las instrucciones del proveedor de gas.
- Si no puede ponerse en contacto con el proveedor de gas, llame a los bomberos.

Conserve estas instrucciones para referencia futura.

Índice

Instrucciones importantes de seguridad.....	2	Instrucciones de instalación.....	7-11
Requisitos de instalación	3-5	Inversión de la puerta	12-17
Dimensiones de la lavadora instalada.....	6	Opciones	18

Lea y conserve esta guía

Gracias por elegir **Electrolux**, la nueva marca de alta calidad de electrodomésticos para el hogar. Estas *instrucciones de instalación* forman parte de nuestro compromiso de satisfacer al cliente y de ofrecer un producto de calidad a lo largo de la vida útil de su nuevo electrodoméstico.

¿Preguntas?

Para obtener asistencia telefónica gratuita en los Estados Unidos y Canadá:
1-877-4ELECTROLUX (1-877-435-3287).
Para obtener asistencia e información en línea sobre el producto, visite:
<http://www.electroluxappliances.com>.

Lista de verificación de instalación

Ferretería de envío y transporte

- Se retiró y guardó el soporte de espuma de empaque (debajo de la tina de lavado)
- Se retiraron y guardaron los pernos y espaciadores de la parte trasera del electrodoméstico
- Se instalaron los tapones (empacados en una bolsa en el interior del tambor) en los agujeros de la lámina trasera

Nivelación

- La lavadora está nivelada de lado a lado y de adelante hacia atrás
- El lavadora descansa firmemente sobre sus cuatro esquinas

Suministro de agua

- Se conectó el suministro de agua CALIENTE a la admisión de agua CALIENTE y el suministro de agua FRÍA a la admisión de agua FRÍA
- Se abrió el suministro de agua CALIENTE y FRÍA
- No hay escapes en las conexiones del suministro de agua o en las conexiones de admisión del electrodoméstico - vuelva a verificar a las 24 horas

Drenaje

- Tubo vertical o drenaje de pared a una altura mínima de 24" (61 cm)
- Manguera de drenaje enganchada en el canal en "U" (empacado en el tambor)
- Manguera de drenaje fijada en su lugar con un amarre para cables (empacado en el tambor)

Inversión de la puerta

- Siga las instrucciones detalladas en esta guía
- Pruebe la bisagra y el gancho para asegurarse de que funcionen

Suministro eléctrico

- El suministro eléctrico del hogar está activado
- La secadora está enchufada

Inspección final

- Lea bien las instrucciones de instalación y la guía de uso y cuidado
- La puerta se cierra y el tambor gira cuando se inicia el ciclo
- Tarjeta de registro enviada

Requisitos de preinstalación

Herramientas y materiales necesarios para la instalación:



Llave universal proporcionada con la lavadora



Llave ajustable



Llave de cubo de 3/8" o 10 mm



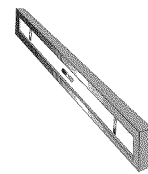
Juego de manguito y trinquete

Y



Pinzas ajustables

Y



Nivel de carpintero

Requisitos del sistema eléctrico

CIRCUITO - Circuito individual de bifurcación de 15 amp., correctamente polarizado y con conexión a tierra con fusible de retardo de 15 amp. o con interruptor automático.

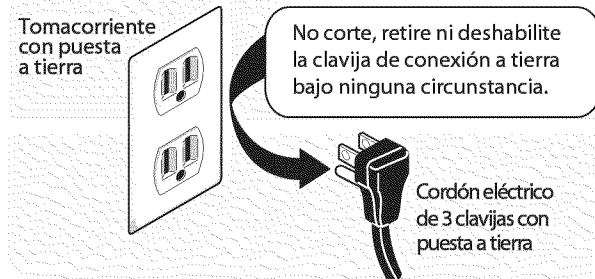
SUMINISTRO ELÉCTRICO: corriente alterna de 2 cables, con conexión a tierra, 120 voltios, monofásica, 60 Hz.

NOTA

Debido a posibles variaciones en el voltaje, no se recomienda utilizar esta lavadora con electricidad generada a partir de generadores a gas, solares, eólicos ni de ninguna otra clase que no sean los empleados por su empresa de electricidad local.

RECEPTÁCULO DEL TOMACORRIENTE -

Receptáculo para enchufes de 3 patas con conexión a tierra que debe estar ubicado en un lugar que sea accesible para el cable de alimentación eléctrica cuando la lavadora se encuentre instalada.



NOTA

No es necesario conectar un tomacorriente con GFI (interruptor de falla de conexión a tierra).

Requisitos de conexión a tierra

⚠️ ADVERTENCIA

PELIGRO DE DESCARGA ELÉCTRICA

Una conexión incorrecta del conductor de conexión a tierra del equipo puede provocar un peligro de descarga eléctrica. Si no está seguro de haber realizado correctamente la conexión a tierra del artefacto, consulte a un electricista autorizado.

1. La lavadora DEBE tener conexión a tierra. En el caso de que la lavadora no funcione correctamente o se descomponga, la conexión a tierra reduce el riesgo de descarga eléctrica porque ofrece una trayectoria de menor resistencia para la corriente eléctrica.
2. Debido a que la lavadora está equipada con un cable de alimentación eléctrica que cuenta con un conductor de conexión a tierra, el enchufe DEBE estar conectado a un receptáculo adecuado

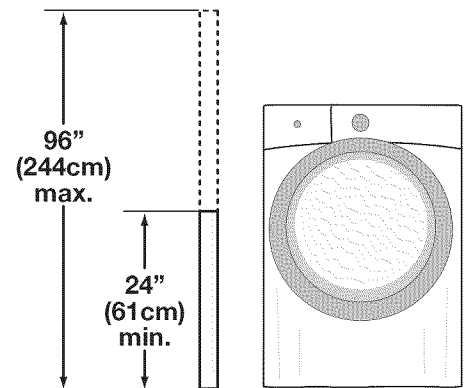
con cable de cobre correctamente instalado y con conexión a tierra, de acuerdo con todos los códigos y las ordenanzas locales o, ante la ausencia de ordenanzas locales, con el Código Eléctrico Nacional (National Electrical Codes), ANSI/NFPA 70 (última edición). Ante cualquier duda, comuníquese con un electricista autorizado. NO corte ni dañe la espiga de conexión a tierra del cable de alimentación eléctrica. En los casos en los que se dispone de un receptáculo de dos ranuras, es responsabilidad del usuario pedir a un electricista autorizado que lo cambie por un receptáculo para enchufes de tres patas con una adecuada conexión a tierra.

Requisitos de la entrada de agua

Los grifos de agua caliente y fría DEBEN instalarse a una distancia no mayor de 107 cm (42 pulgadas) de la entrada de agua de la lavadora. Los grifos DEBEN estar a 1,9 cm (3/4 pulgadas) con roscas para la conexión de la manguera de lavado. La presión de agua DEBE ser de 30 a 120 psi. La diferencia de presión entre el agua caliente y fría no debe superar los 10 psi. El departamento hidráulico puede asesorarlo con respecto a la presión de agua con la que usted cuenta.

Requisitos del sistema de desagüe

1. Desagüe con capacidad para eliminar 64,3 l (17 galones) por minuto.
2. Un tubo vertical con un diámetro mínimo de 3,18 cm (1-1/4 pulg.).
3. La altura del tubo vertical por encima del suelo debe ser:
 Altura mínima: 61 cm (24 pulgadas)
 Altura máxima: 244 cm (96 pulgadas)



NOTA

La manguera de drenaje conectada a la lavadora puede alcanzar un tubo vertical de hasta 201 cm (79 pulgadas) de altura. Si el tubo vertical es más alto, debe utilizar una manguera P/N 137098000, disponible en las distribuidoras autorizadas de repuestos.

Requisitos de despeje

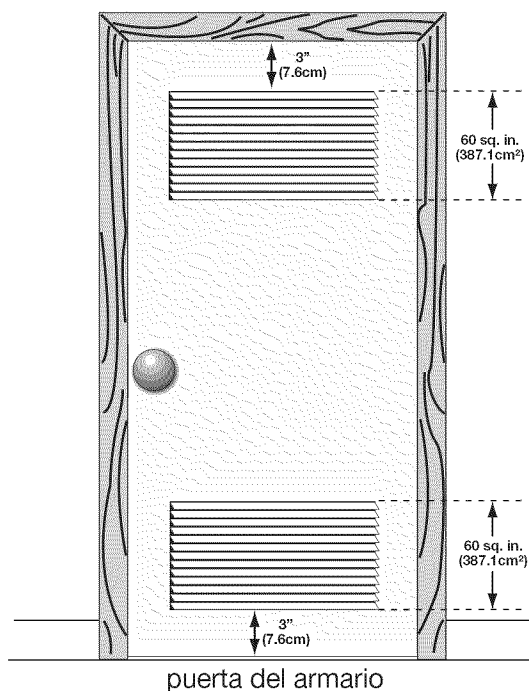
➔ IMPORTANTE

NO INSTALE LA LAVADORA:

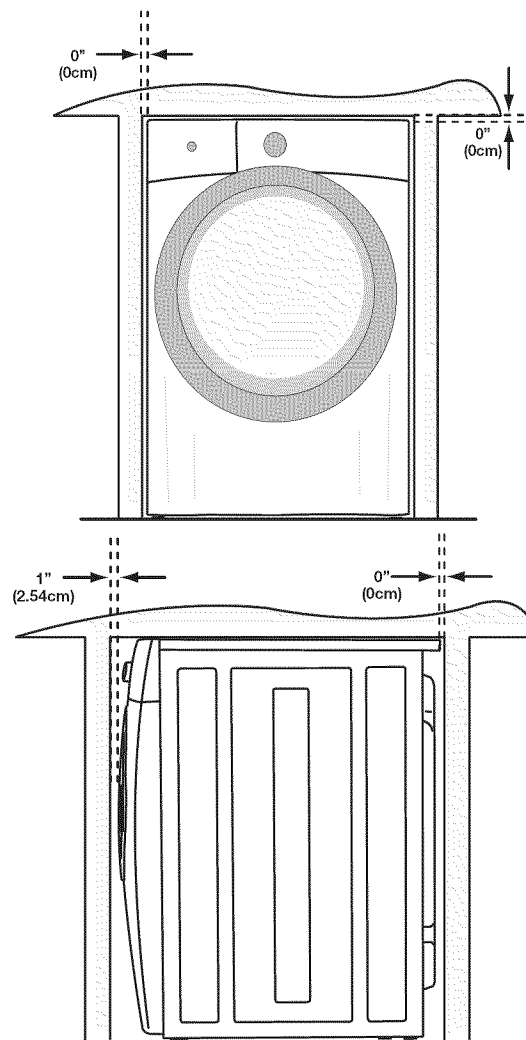
1. En una zona expuesta a la humedad o a las condiciones climáticas externas. Para maximizar la eficacia del detergente, la temperatura ambiente nunca debe ser menor a los 15,6° C (60° F).
2. En un área (garaje o construcción tipo garaje) en la cual haya o se almacene gasolina u otros productos inflamables (incluso automóviles).
3. Sobre una alfombra. El piso DEBE ser firme con una pendiente máxima de 2,54 cm (1 pulgada). Para reducir vibraciones o movimientos, puede que sea necesario reforzar el piso.

INSTALACIÓN EN UN NICHO O ARMARIO

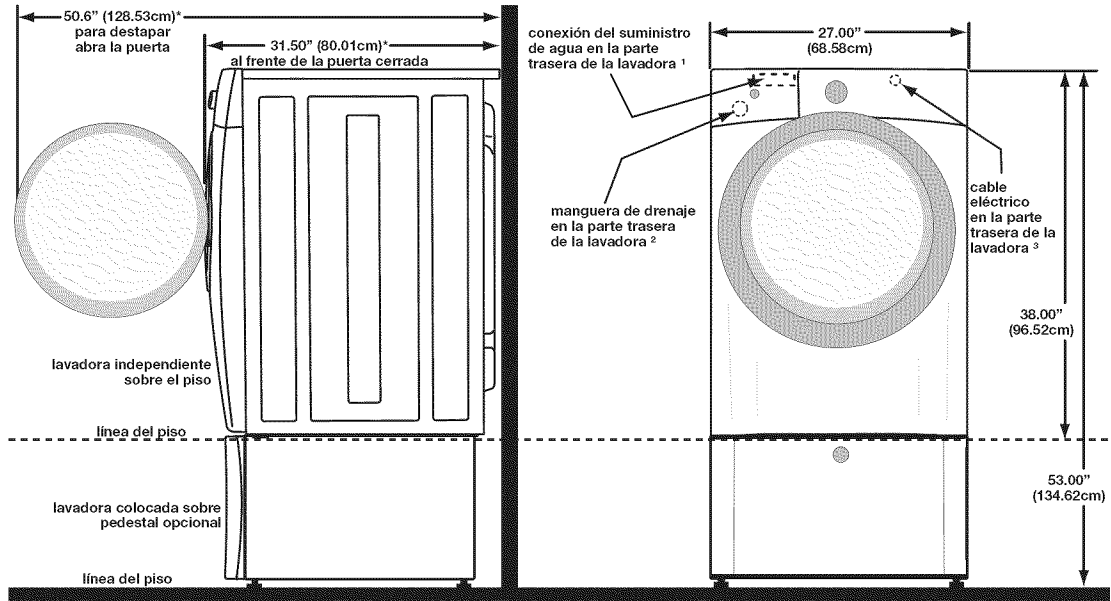
Si la lavadora y la secadora se instalan en el mismo armario, será necesaria la ventilación en la puerta de este: Se necesita un mínimo de 774,2 cm² (120 pulgadas²) de abertura, dividido en partes iguales en la parte superior e inferior de la puerta. Las aberturas de ventilación deben estar ubicadas a 7,6 cm (3 pulgadas) de la parte superior e inferior de la puerta. Es necesario que las aberturas de aire no estén obstruidas cuando se instala una puerta. Se acepta una puerta que tenga aberturas de ventilación distribuidas uniformemente en toda la superficie.



ESPACIOS MÍNIMOS PARA LA INSTALACIÓN: cm (pulgadas)				
	LATERALES	PARTE TRASERA	PARTE SUPERIOR	PARTE DELANTERA
Hueco	0 cm (0")	0 cm (0")*	0 cm (0")	n/d
Debajo de la encimera	0 cm (0")	0 cm (0")*	0 cm (0")	n/d
Armario	0 cm (0")	0 cm (0")*	0 cm (0")	2,54 cm (1")



Dimensiones de la lavadora instalada



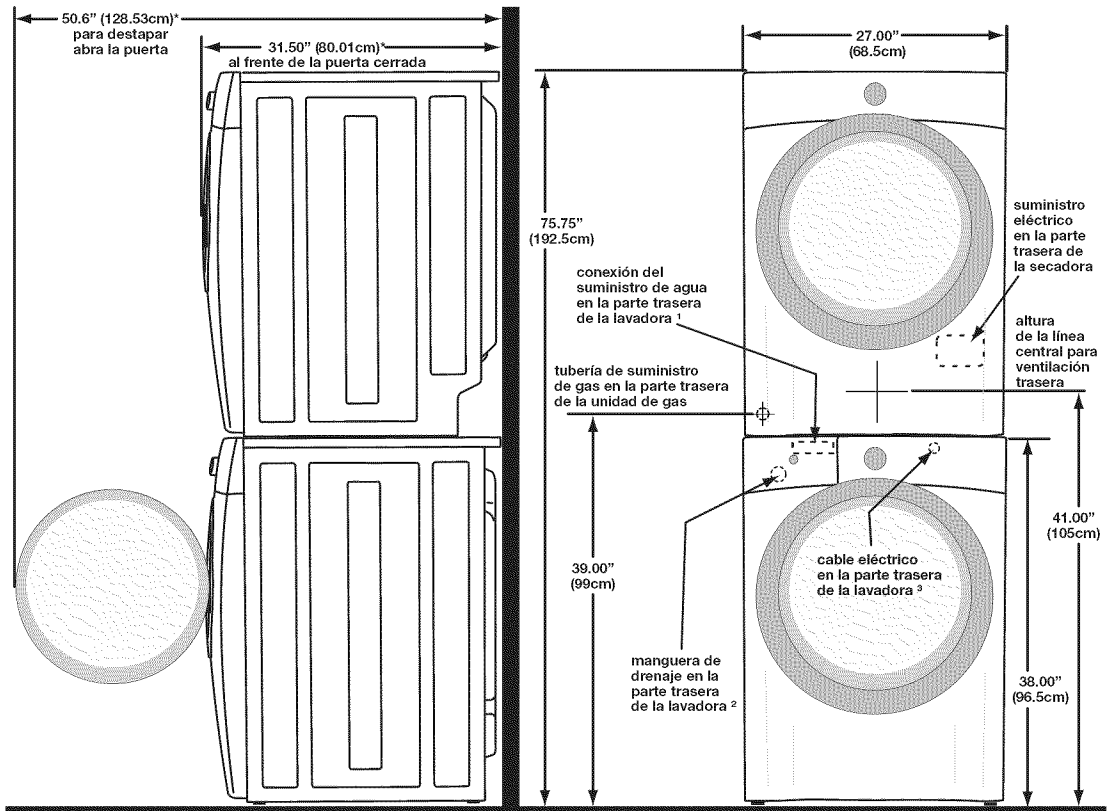
* Para obtener estas dimensiones mínimas de profundidad, la secadora debe ventilar directamente hacia atrás o con un codo de giro rápido de 90°.

La conexión de la manguera de admisión en los modelos a vapor añade 3/4" (2 cm) a la profundidad de instalación.

¹ La longitud de las mangueras de admisión de agua caliente y fría es de aproximadamente 48,5" (123 cm).

² La longitud de la manguera de desagüe es de aproximadamente 59" (150 cm).

³ La longitud del cable de alimentación es de aproximadamente 60" (152,5 cm).



* Para obtener estas dimensiones mínimas de profundidad, la secadora debe ventilar directamente hacia atrás o con un codo de giro rápido de 90°.

La conexión de la manguera de admisión en los modelos a vapor añade 3/4" (2 cm) a la profundidad de instalación.

¹ La longitud de las mangueras de admisión de agua caliente y fría es de aproximadamente 48,5" (123 cm).

² La longitud de la manguera de desagüe es de aproximadamente 59" (150 cm).

³ La longitud del cable de alimentación es de aproximadamente 60" (152,5 cm).

Retiro de la espuma de embalaje

ADVERTENCIA

PELIGRO DE ASFIXIA

Después de desembalar la lavadora, destruya los cartones y las bolsas de plástico. Los niños podrían utilizarlos para jugar. Los cartones cubiertos con alfombras, cubrecamas, o láminas de plástico pueden convertirse en cámaras de aire herméticamente cerradas y provocar asfixia. Coloque todos los materiales en un basurero o manténgalos fuera del alcance de los niños.

1. Retire la cinta de la puerta momentáneamente.
2. Abra la puerta de la lavadora y retire todo lo que haya en el tambor.
3. Cierre la puerta y vuelva a colocar la cinta sobre esta.
4. Utilizando una alfombra, frazada o trozo de cartón para proteger el piso, recueste la lavadora cuidadosamente sobre su parte trasera.

PRECAUCIÓN

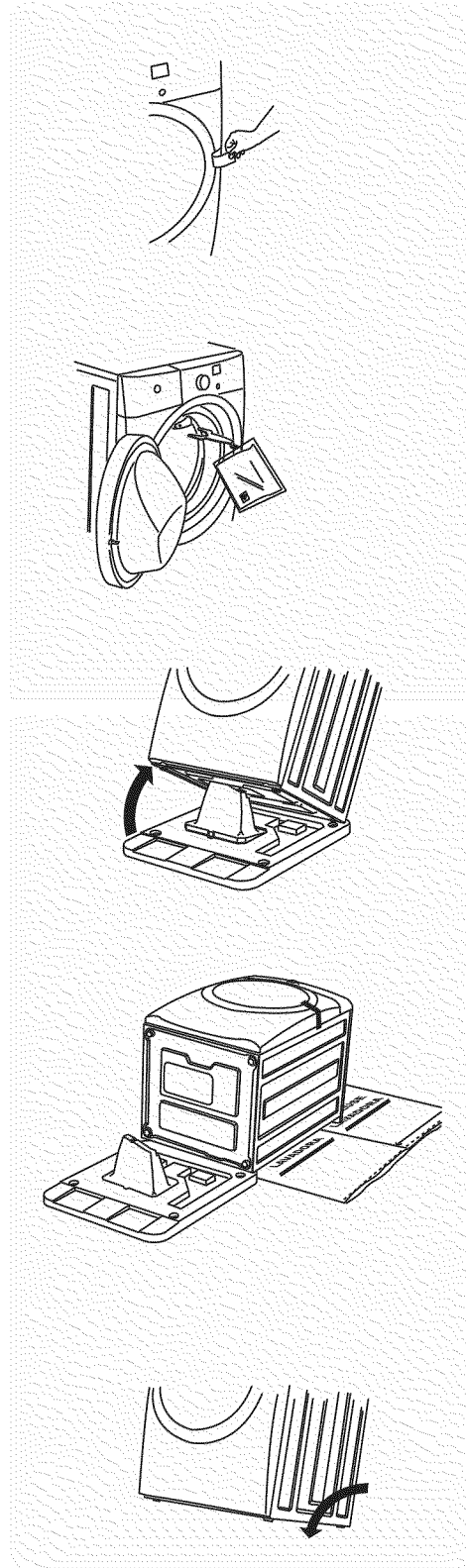
PELIGRO DE EXCESO DE PESO

Para evitar lesiones en la espalda u otro tipo de lesiones, procure levantar o mover la lavadora con la ayuda de más de una persona.

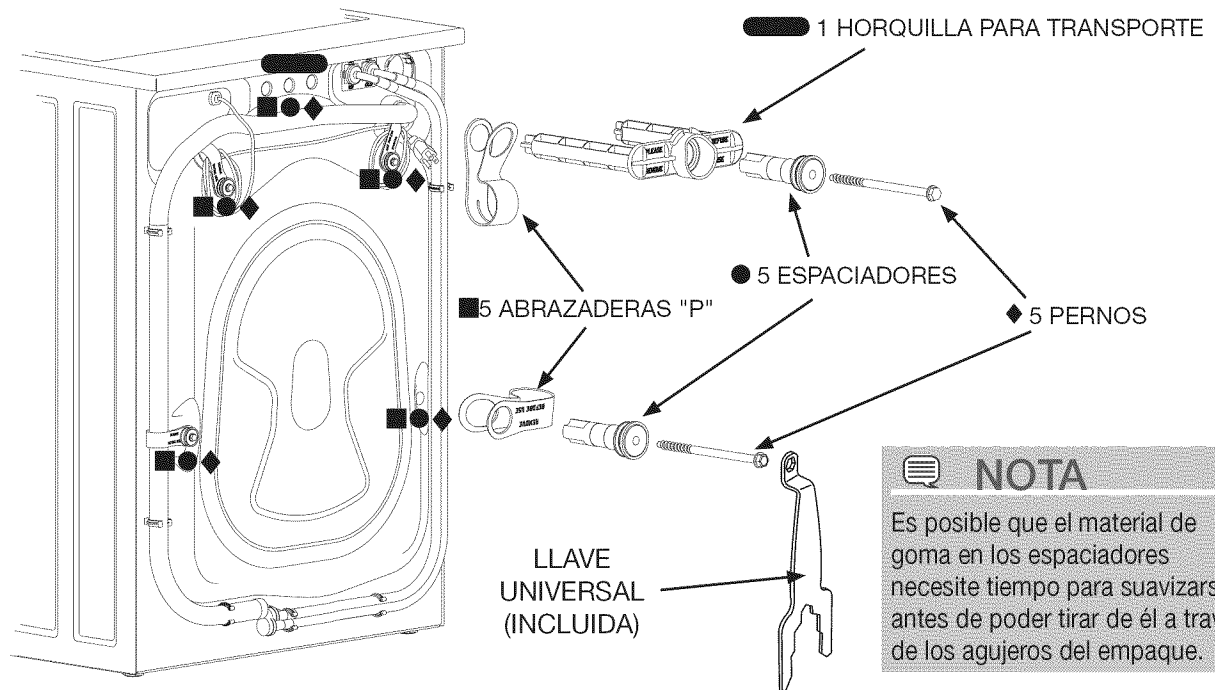
5. Retire la espuma de poliestireno y el tapón de embalaje, y déjelos a un lado.
6. Vuelva a colocar la lavadora en posición vertical cuidadosamente.
7. Traslade la lavadora con cuidado a fin de colocarla a aproximadamente 1 m (4 pies) de la ubicación final.

IMPORTANTE

Guarde la espuma de poliestireno y el tapón de embalaje para utilizarlos para evitar daños a la lavadora en futuros traslados.



Retiro del embalaje de protección



NOTA

Es posible que el material de goma en los espaciadores necesite tiempo para suavizarse antes de poder tirar de él a través de los agujeros del empaque.

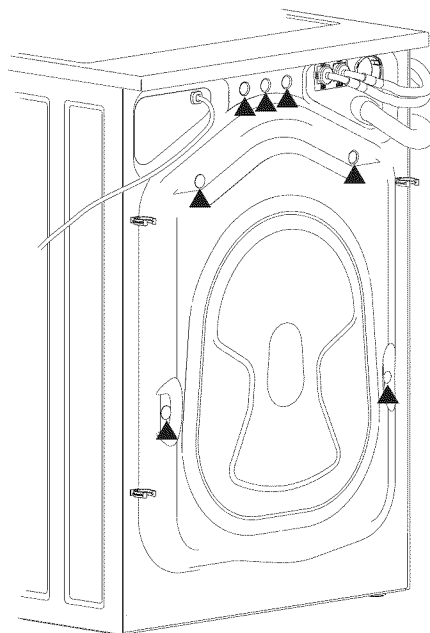
Retire lo siguiente:

- 1 HORQUILLA PARA TRANSPORTE
- 5 ABRAZADERAS "P"
- 5 ESPACIADORES
- 5 PERNOS

IMPORTANTE

Guarde todos los pernos y espaciadores de embalaje para su uso posterior. Si se va a transportar la lavadora más adelante, deberá colocar el embalaje de protección nuevamente para evitar que se produzcan daños durante el traslado.

Instalación de los tapones para agujeros



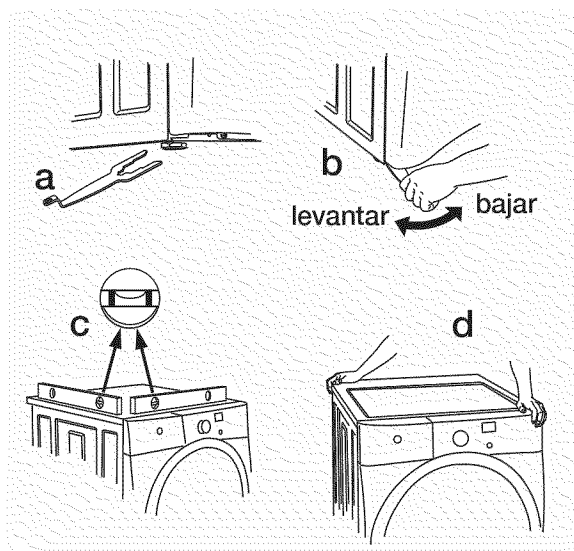
Ubique los 7 tapones para agujeros en la pequeña bolsa que viene con las guías de instrucciones de la lavadora. Insértelos en los agujeros del panel trasero de la lavadora.



Nivelación de la lavadora

Las vibraciones y el ruido excesivo se pueden evitar nivelando la lavadora correctamente.

1. Para una instalación independiente de la unidad, con la lavadora a aproximadamente 1 metro (4 pies) de la ubicación final, coloque un nivel en la parte superior de esta.
2. Utilice la llave universal para ajustar las patas niveladoras de modo que la lavadora esté nivelada en relación con todos sus lados, atrás/adelante y derecha/izquierda, y estabilizada en las cuatro esquinas.
3. Presione hacia abajo las distintas esquinas y lados para asegurarse de que no haya vibración alguna. Ajuste las patas correspondientes de modo que la lavadora descansa firmemente en el piso sobre las CUATRO patas. Mantenga la extensión de las patas niveladoras al mínimo para un mejor rendimiento de la lavadora.

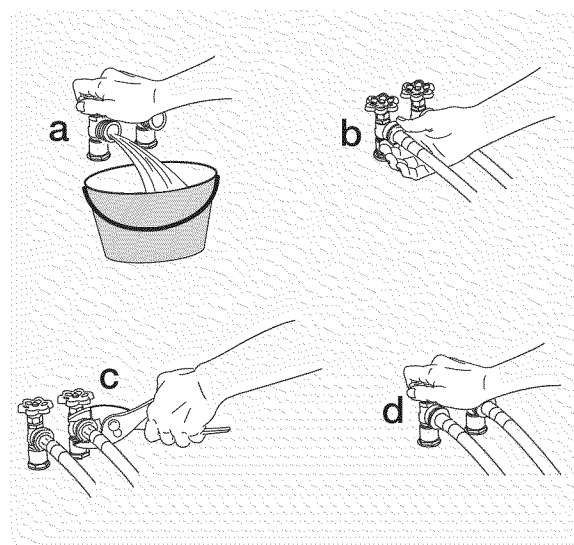
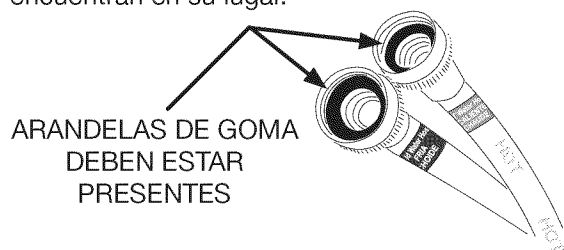


NOTA

Para instalar un pedestal, consulte las instrucciones de instalación adicionales que vienen con dicho producto.

Conexión del suministro de agua de entrada

1. Haga correr un poco de agua de los grifos de agua caliente y fría para enjuagar los caños de agua y eliminar las partículas que puedan obstruir los filtros de la llave de paso y para determinar cuál canilla corresponde al suministro de agua caliente y cuál al de agua fría.
2. Examine el extremo de cada manguera de entrada de agua y verifique que las arandelas de goma se encuentran en su lugar.



NOTA

Las mangueras de entrada de agua CALIENTE y FRÍA están codificadas por colores para su identificación. La manguera de entrada de agua CALIENTE está marcada con una cinta ROJA y la de agua FRÍA, con una AZUL.

3. Conecte la manguera de entrada de agua CALIENTE al suministro de agua CALIENTE y la manguera de entrada de agua FRÍA al suministro de agua FRÍA. Ajústelas con la mano hasta que queden firmes.
4. Ajuste ambas conexiones de suministro de agua 2/3 más de vuelta con la pinza. **No doble, tuerza o presione las mangueras de admisión de agua.**
5. Abra el grifo y verifique que no haya fugas.

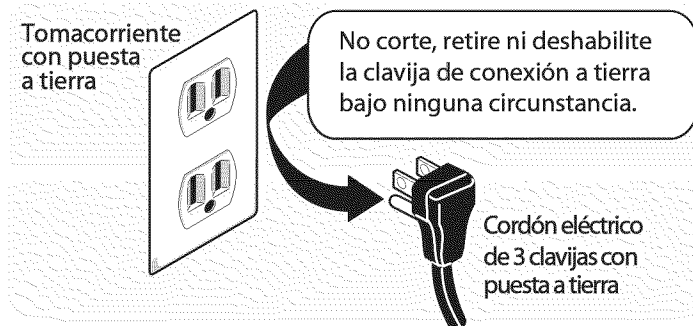
Conexión del desagüe y del suministro eléctrico

1. Enganche un extremo del gancho de la manguera de drenaje (empacada en el tambor de la lavadora) en la manguera de drenaje. Continúe deslizando la manguera alrededor del soporte y encájela en su lugar.
2. Coloque el extremo con gancho de la manguera de drenaje en la abertura de desagüe. Fije la manguera de drenaje con el amarre para cables (que viene en la caja) al tubo vertical, la manguera de entrada, la tina del lavadero, etc. para que no se salga por la fuerza del agua.

➔ IMPORTANTE

Revise la caja del interruptor automático/fusibles para asegurarse de que la electricidad esté desconectada antes de conectar el cable de alimentación al tomacorriente.

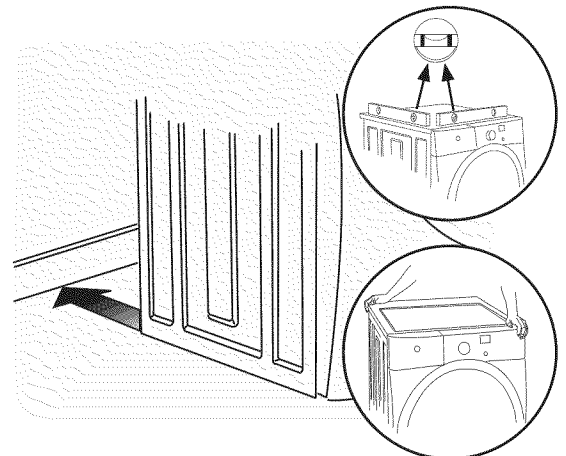
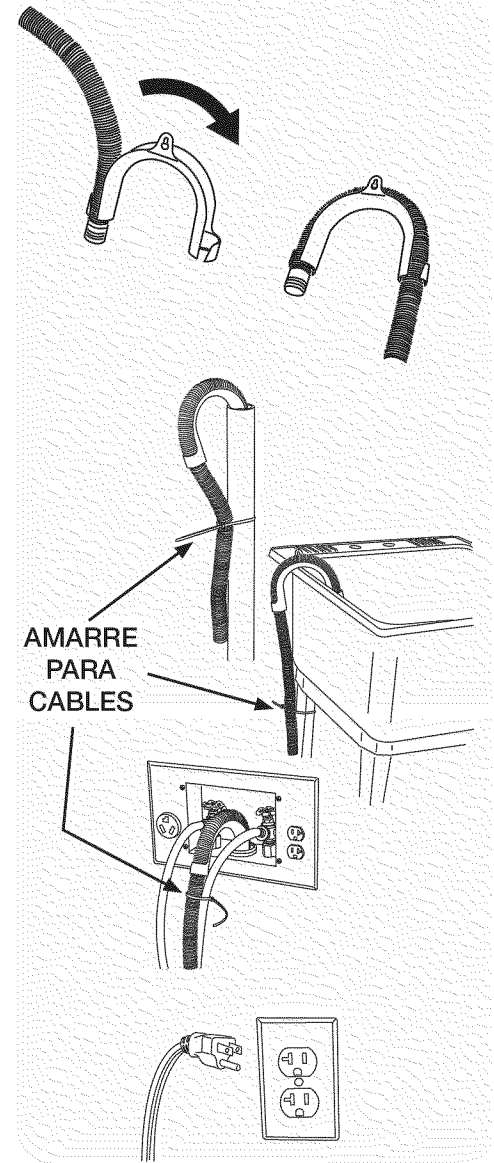
3. Conecte el cable de alimentación a un tomacorriente con conexión a tierra.



4. Conecte la electricidad desde la caja del interruptor automático/fusibles.
5. Deslice la lavadora a su posición final cuidadosamente. Vuelva a verificar que la lavadora esté nivelada y estabilizada. Retire y deseche la cinta de la puerta.
6. Consulte la *Guía de uso y cuidado* que se proporciona con la lavadora. Dicha guía contiene información útil y valiosa que le ahorrará tiempo y dinero.
7. Consulte las instrucciones de la siguiente página para ejecutar un “ciclo de instalación” breve y útil en su nueva lavadora.
8. Si tiene alguna pregunta durante el funcionamiento inicial, repase la “Lista de control para evitar el servicio técnico” de su *Guía de uso y cuidado* antes de llamar al servicio técnico.
9. Coloque estas instrucciones cerca de la lavadora para referencia futura.

🗨️ NOTA

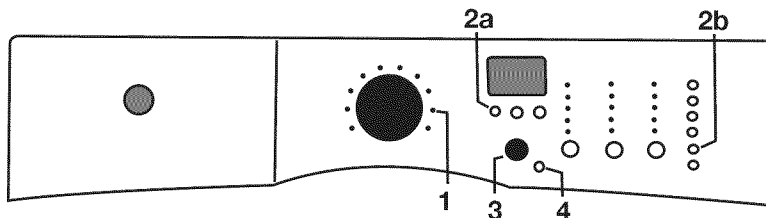
Debajo del panel superior de la lavadora, sobre el compartimento para distribución del detergente, encontrará una hoja de información técnica y un diagrama de cableado.



Ejecución del ciclo de instalación

Una vez que la lavadora se encuentre en la ubicación definitiva, realice un ciclo de instalación para facilitar la instalación adecuada.

Si su lavadora tiene esta consola:



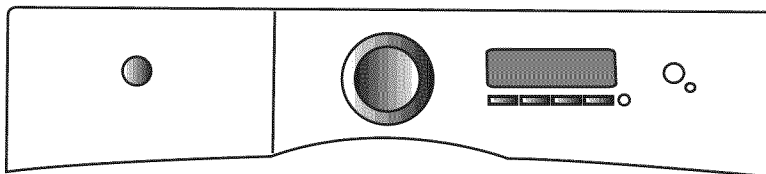
1. Vacíe el tambor de la lavadora y cierre la puerta.
2. Después de enchufar la lavadora por primera vez: presione cualquier botón para encender la lavadora, gire la perilla de selección de ciclos hasta el primer ciclo desde la posición inferior derecha (1) y, por último, el botón "cancel" (4).
3. Presione nuevamente cualquier botón para encender la lavadora y presione y mantenga presionados en forma inmediata y simultánea los botones 2a y 2b durante 5 segundos o hasta que la pantalla LCD cambie.
4. La pantalla LCD mostrará "INSTAL CYCLE" (CICLO DE INSTALACIÓN) y el tiempo estimado de duración del ciclo. Presione el botón "start" (3). El ciclo de instalación realizará varias rutinas de diagnóstico. Cuando termine el ciclo, la pantalla de LCD mostrará "INSTAL PASS", lo que significa que su nueva lavadora está correctamente instalada y lista para ser usada. Si la pantalla solicita una acción como "NO WATER" (no hay agua), "CHECK HOSES" (verifique las mangueras) o "CALL SERVICE 877 435 3287" (obtenga servicio técnico al 877-435-3287), repase los pasos de instalación y realice las modificaciones necesarias antes de intentar hacer funcionar la lavadora.
5. La lavadora saldrá del ciclo de instalación y regresará al funcionamiento normal la próxima vez que la encienda.

NOTA

La lavadora permanecerá encendida durante 3 minutos tras la ejecución del ciclo de instalación. Si desea ejecutar un ciclo de lavado inmediatamente después de finalizado dicho ciclo, presione el botón "cancelar" para activar el modo suspendido y encienda la unidad enseguida para continuar con el modo de funcionamiento normal.

6. Consulte la *Guía de uso y cuidado* y disfrute de su nueva lavadora de alta calidad.

Si su lavadora tiene esta consola:



1. Después de enchufar la lavadora por primera vez: presione cualquier botón para encender la lavadora y siga las indicaciones que figuran en la interfaz de usuario de la pantalla LCD, incluso la selección del idioma.
2. El ciclo de instalación realizará varias rutinas de diagnóstico. Cuando termine el ciclo, la pantalla de LCD mostrará "INSTAL CYCLE", lo que significa que su nueva lavadora está correctamente instalada y lista para ser usada. Si la pantalla solicita una acción como "NO WATER" (no hay agua), "CHECK HOSES" (verifique las mangueras) o "CALL SERVICE 877 435 3287" (obtenga servicio técnico al 877-435-3287), repase los pasos de instalación y realice las modificaciones necesarias antes de intentar hacer funcionar la lavadora.
3. La lavadora saldrá del ciclo de instalación y regresará al funcionamiento normal la próxima vez que la encienda.

NOTA

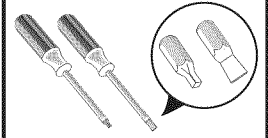
La lavadora permanecerá encendida durante 3 minutos tras la ejecución del ciclo de instalación. Si desea ejecutar un ciclo de lavado inmediatamente después de finalizado dicho ciclo, presione el botón "cancelar" para activar el modo suspendido y encienda la unidad enseguida para continuar con el modo de funcionamiento normal.

4. Consulte la *Guía de uso y cuidado* y disfrute de su nueva lavadora de alta calidad.

Preparación para invertir la orientación de la puerta

- 1 Asegúrese de que haya suficiente espacio de giro antes de invertir la puerta.
- 2 Necesitará un destornillador con punta cuadrada n.º 2.
- 3 Proteja las superficies de trabajo planas, como la parte superior de la lavadora o el piso cerca de esta utilizando un paño o toalla suave.
- 4 ¡Asegúrese de que la lavadora esté desenchufada del suministro eléctrico!

Herramientas necesarias:



Destornilladores con punta recta y plana #2

⚠ ADVERTENCIA

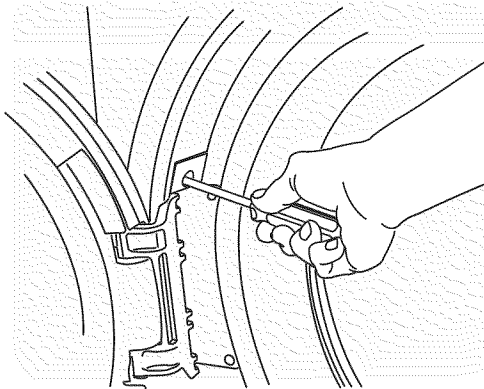
PELIGRO DE DESCARGA ELÉCTRICA

El no desconectar el suministro eléctrico antes de realizar cualquier reparación puede ocasionar lesiones personales o incluso la muerte.

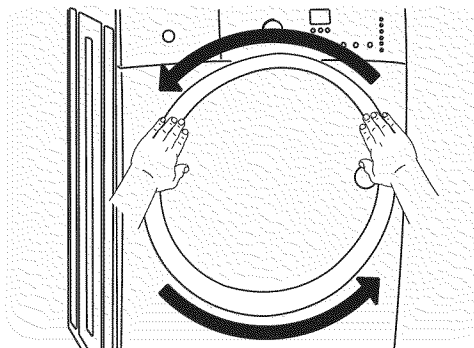
Desinstalación de la puerta y los accesorios

A) Desinstalación del anillo de moldura

- 1 Abra la puerta en un ángulo de 90 grados.
- 2 Retire y guarde el tapón de la moldura y el tornillo largo, con rosca gruesa y cabeza plana.

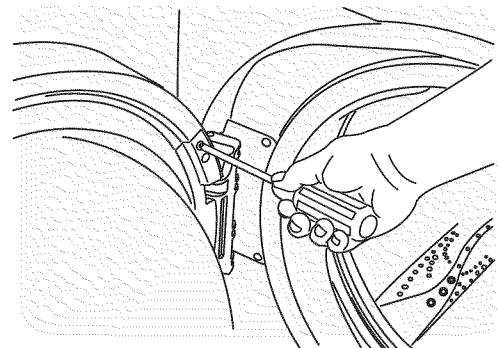


- 3 Cierre la puerta de la lavadora.
- 4 Gire la moldura de la puerta aproximadamente 1,9 cm (¾ pulgadas) hacia la izquierda y retírela de la parte frontal de la puerta.

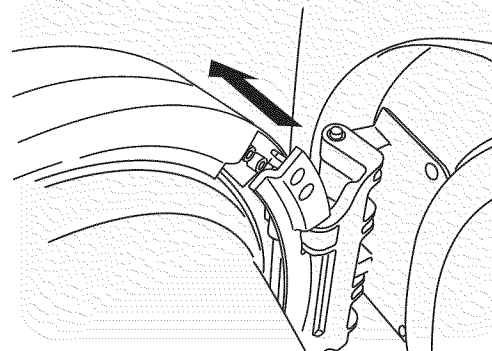


B) Desinstalación de la puerta de la bisagra

- 1 Vuelva a abrir la puerta en un ángulo de 90 grados.
- 2 Retire los 4 tornillos largos, con rosca gruesa y avellanados de la bisagra de la puerta.



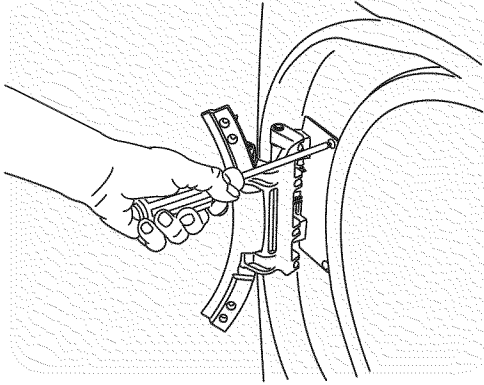
- 3 Mientras soporta el peso de la puerta con ambas manos, separe la puerta de la bisagra.



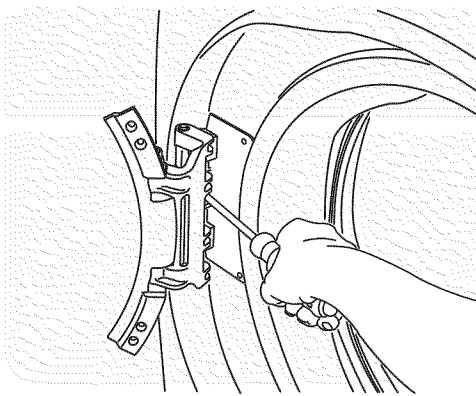
- 4 Coloque cuidadosamente la cara de la puerta hacia abajo sobre una superficie de trabajo plana y protegida.

C) Desinstalación de la bisagra del panel delantero

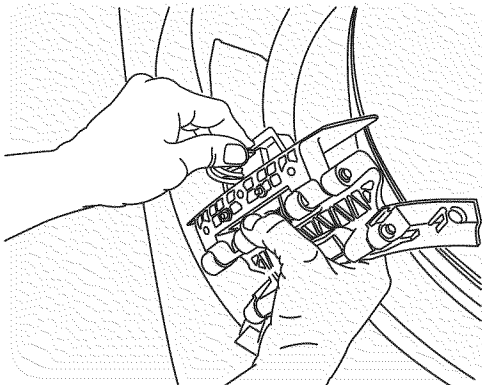
- 1 Con la bisagra abierta, retire los 2 tornillos cortos, con rosca gruesa y cabeza plana de la placa de la bisagra.



- 2 Retire los 3 tornillos cortos, con rosca fina y avellanados del lateral de la bisagra.

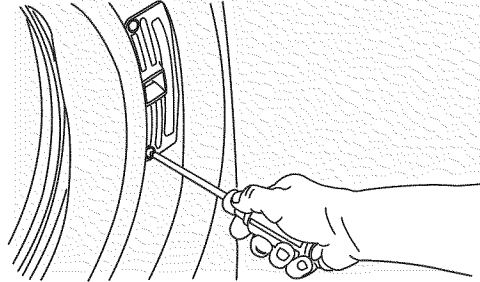


- 3 Deslice la bisagra hacia la parte central del panel delantero y gírela hacia adentro mientras la extrae lentamente del panel delantero para acceder al enchufe preformado acoplado.
- 4 Desenganche la lengüeta y retire el enchufe preformado del retenedor de modo que sobresalga del panel delantero.

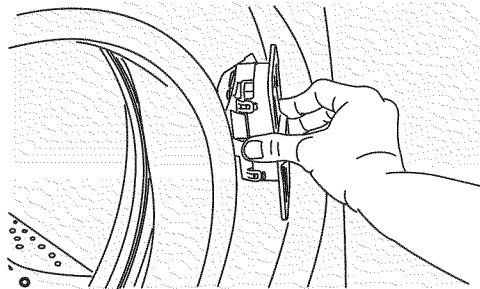


D) Desinstalación del seguro de la puerta del panel delantero

- 1 Retire los 2 tornillos cortos, con rosca gruesa y cabeza plana del seguro de la puerta.



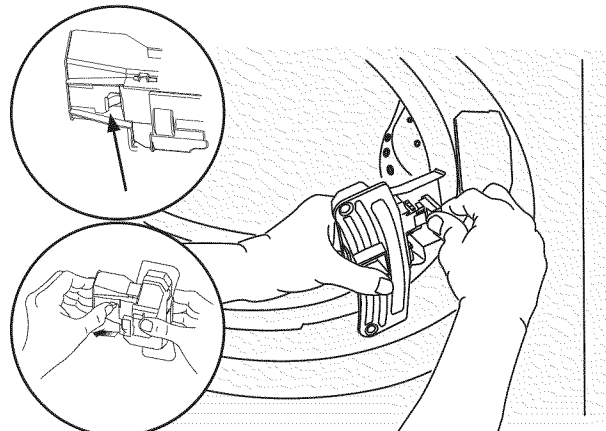
- 2 Deslice el seguro hacia el borde exterior del panel delantero. Gírelo suavemente hacia afuera mientras lo extrae lentamente a través de la abertura para acceder al enchufe preformado acoplado.



⚠ ADVERTENCIA

PELIGRO DE DESCARGA ELÉCTRICA
El no desconectar el suministro eléctrico antes de realizar cualquier reparación puede ocasionar lesiones personales o incluso la muerte.

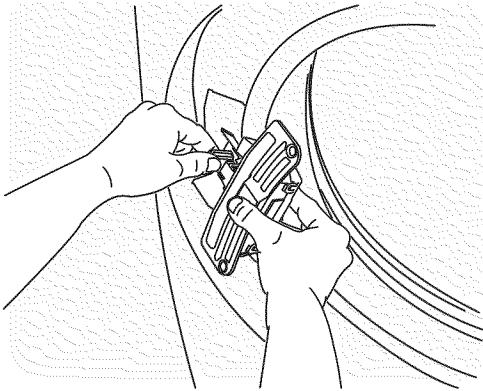
- 3 Retire el enchufe preformado del terminal mediante el pequeño pestillo de la parte trasera del seguro. Separe el enchufe preformado del seguro para que sobresalga del panel delantero.



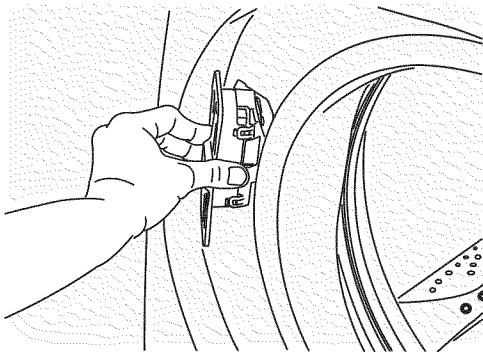
Inversión de la puerta y los accesorios

E) Reinstalación del seguro de la puerta en el panel delantero

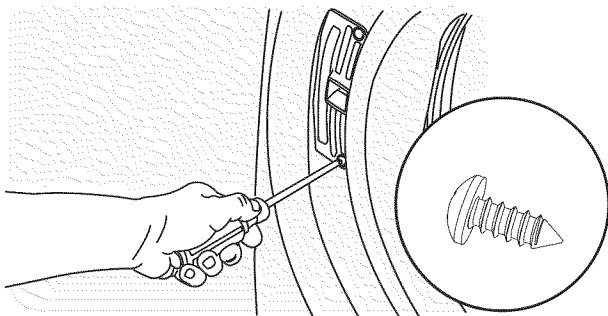
- 1 Gire el seguro de la puerta y muévalo hacia la abertura opuesta.
- 2 Conecte el enchufe preformado al seguro de la puerta insertándolo en el terminal y empujándolo firmemente en el lugar.



- 3 Inserte la conexión del enchufe preformado a través del panel delantero y luego gire el seguro hasta que quede acoplado. Deslice el seguro hacia la parte central del panel delantero hasta que los agujeros de los tornillos se alineen.

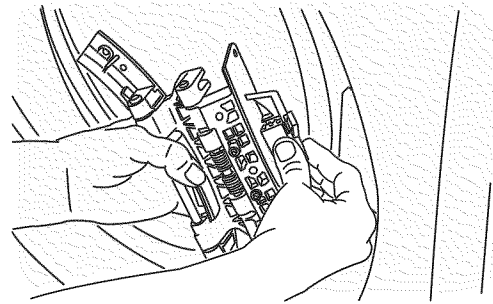


- 4 Fije el seguro utilizando 2 tornillos cortos, con rosca gruesa y cabeza plana.

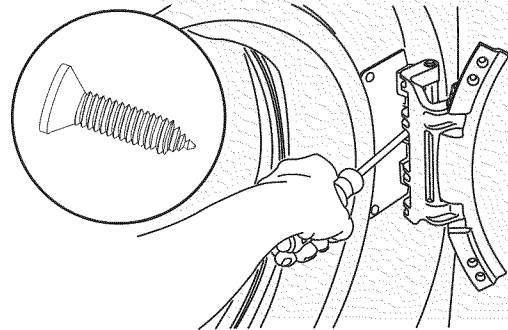


F) Reinstalación de la bisagra en el panel delantero

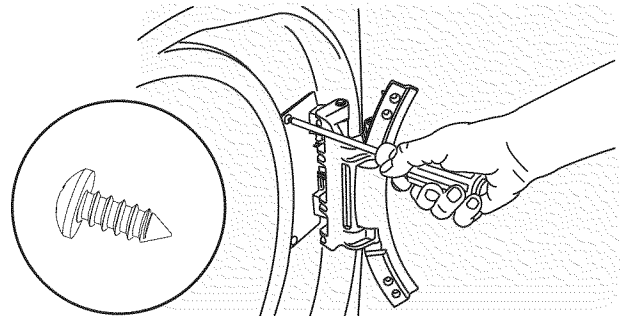
- 1 Gire la bisagra y muévala hacia la abertura opuesta.
- 2 Conecte el enchufe preformado al retenedor de la bisagra insertándolo en el terminal de retención y empujándolo suavemente hasta escuchar el chasquido de la lengüeta de sujeción.
- 3 Tire del enchufe preformado suavemente para asegurarse de que esté firmemente instalado.



- 4 Utilice los pasadores de ubicación laterales para alinear la bisagra e inserte 1 tornillo corto, con rosca fina y avellanado en el agujero central del lateral de la bisagra.

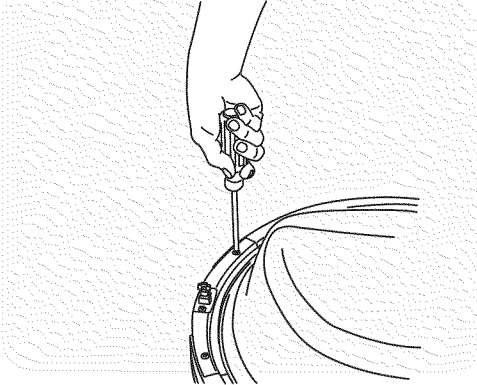


- 5 Inserte los otros 2 tornillos cortos, con rosca fina y avellanados en los agujeros superiores e inferiores del lateral de la bisagra.
- 6 Inserte 2 tornillos cortos, con rosca gruesa y cabeza plana a través de la placa de la bisagra.



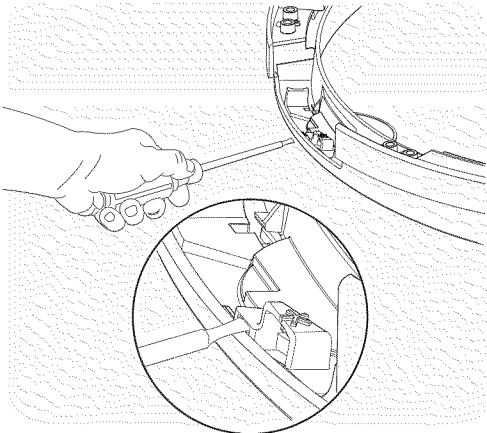
G) Desinstalación de la placa del pestillo

- 1 Retire los 2 tornillos largos, con rosca gruesa y avellanados, y la placa del pestillo.

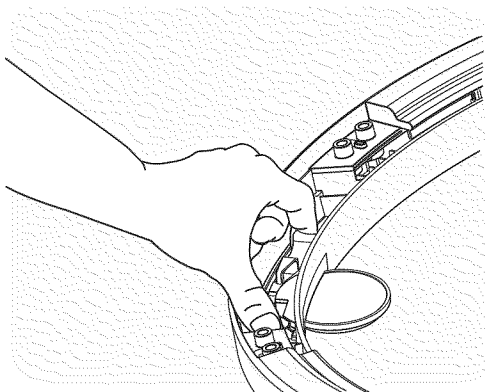


- 2 Deje la placa del pestillo a un lado para utilizarla posteriormente.

H) Desinstalación del indicador de pestillo

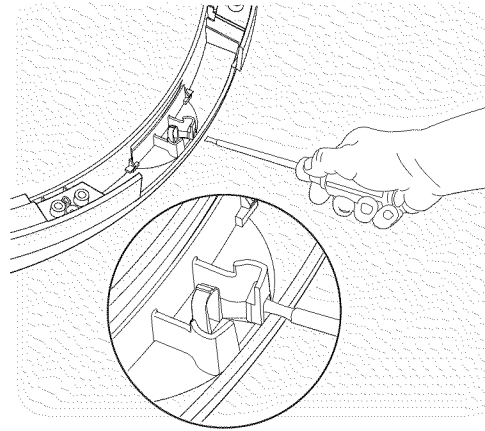


- 1 Inserte un destornillador plano en la ranura abierta del indicador de pestillo.
- 2 Úselo como palanca para liberar la lengüeta.

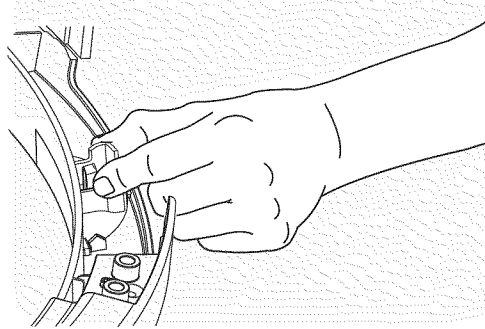


- 3 Extraiga el indicador de pestillo y déjelo a un lado.

I) Extracción del tapón para agujero



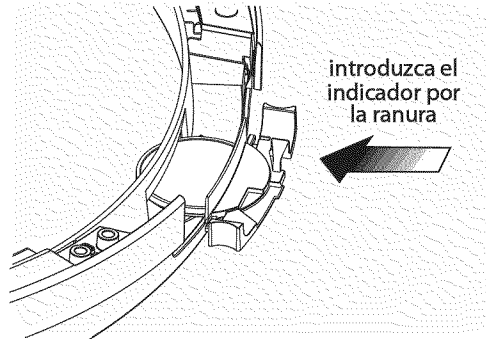
- 1 Inserte un destornillador plano en la ranura abierta del tapón para el agujero.
- 2 Úselo como palanca para liberar la lengüeta.



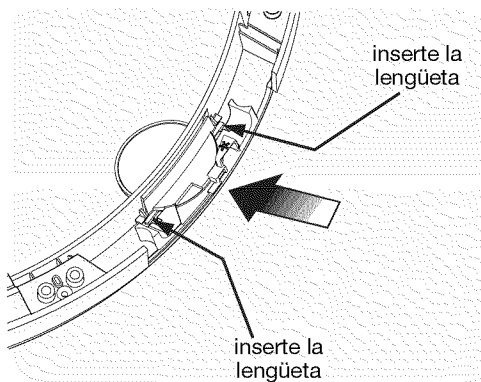
- 3 Extraiga el tapón y déjelo a un lado.

J) Reinstalación del indicador de pestillo

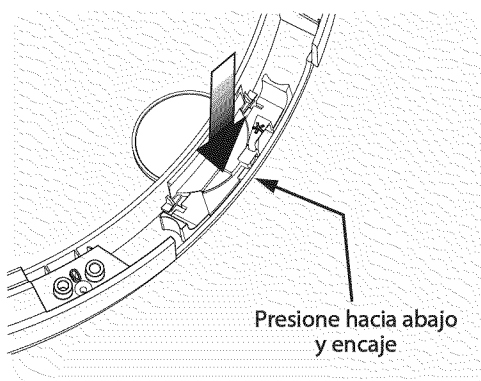
- 1 Gire el indicador de pestillo y muévelo hacia el agujero opuesto de la puerta.



- 2 Introduzca firmemente las dos lengüetas ubicadas a cada lado del indicador de pestillo en las dos ranuras a cada lado del agujero de la puerta.

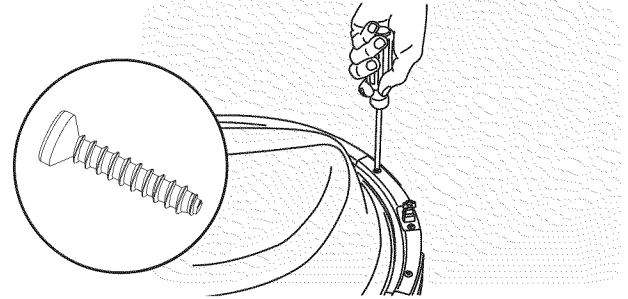


- 3 Presione el indicador firmemente hacia abajo hasta que la lengüeta encaje en su lugar.



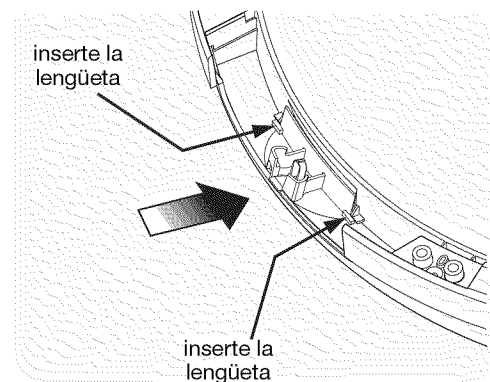
K) Reinstalación de la placa del pestillo

- 1 Gire la placa del pestillo y muévela hacia el lateral opuesto de la puerta por encima del indicador.
- 2 Vuelva a colocarla utilizando 2 tornillos largos, con rosca gruesa y avellanados.

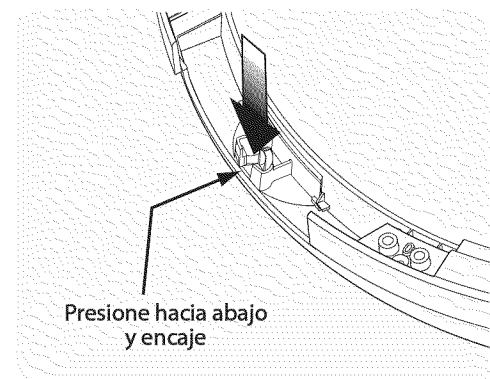


L) Reinstalación del tapón para agujero

- 1 Gire el tapón para el agujero y muévelo hacia el agujero opuesto de la puerta.
- 2 Introduzca firmemente las dos lengüetas ubicadas a cada lado del tapón para el agujero en las dos ranuras a cada lado del agujero de la puerta.



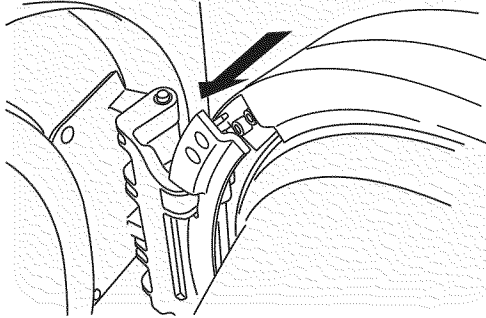
- 3 Presione el tapón para el agujero firmemente hacia abajo hasta que la lengüeta encaje en su lugar.



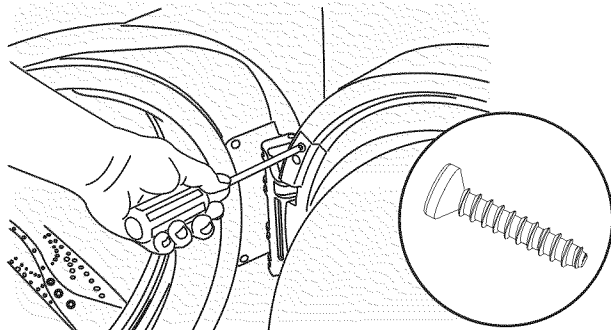
Reinstalación de la puerta y los accesorios

M) Reinstalación del conjunto de la puerta

- 1 Abra la bisagra en un ángulo de 90 grados.
- 2 Inserte la puerta en los pasadores de ubicación de la bisagra.



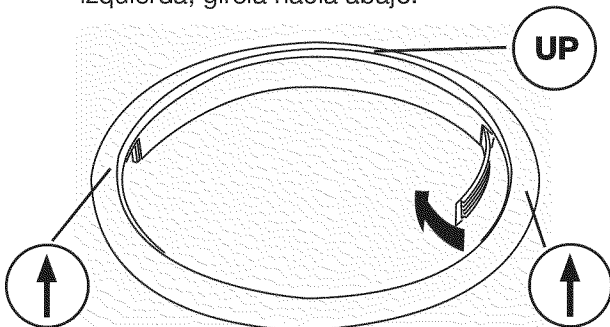
- 3 Fije la puerta utilizando 4 tornillos largos, con rosca gruesa y avellanados.



- 4 Cierre la puerta y verifique que el pestillo funcione correctamente.

N) Inversión del anillo de moldura

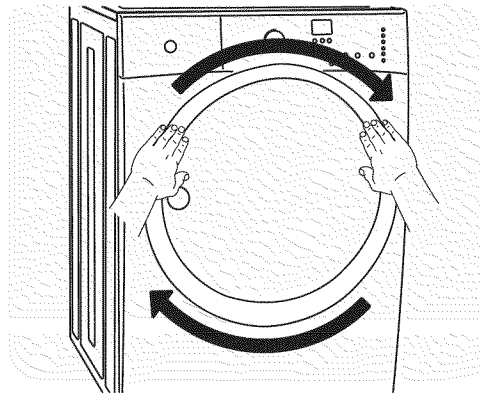
- 1 La orientación del anillo de moldura se indica en la parte posterior de este.
- 2 Retire la placa de protección del anillo de moldura. Para retirar la placa de protección desde la derecha, gírela hacia arriba. Para retirar la placa de protección desde la izquierda, gírela hacia abajo.



- 3 Gire la placa de protección del anillo de moldura, muévala hacia la abertura opuesta de la moldura y vuelva a colocarla.

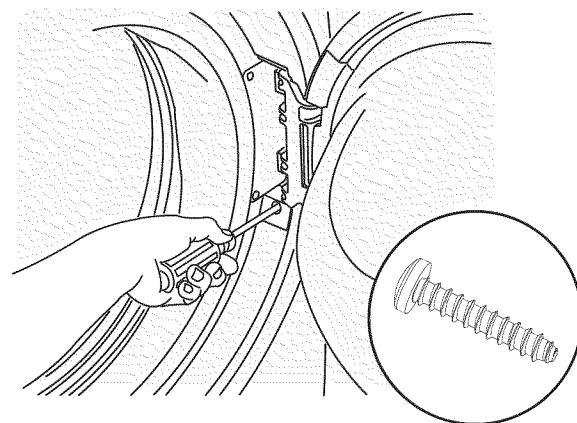
O) Reinstalación del anillo de moldura

- 1 Cierre la puerta de la lavadora.
- 2 Oriente la moldura de modo tal que la posición 12 se encuentre a aproximadamente 1,9 cm (3/4 pulgadas) hacia la izquierda de la parte superior central. La abertura del anillo de moldura debe estar en el lateral de la bisagra.
- 3 Inserte el anillo de moldura en las ranuras y gírelo hacia la derecha aproximadamente 1,9 cm (3/4 pulgadas).



P) Reinstalación del tapón de la moldura

- 1 Abra la puerta en un ángulo de 90 grados.
- 2 Inserte el tapón de la moldura utilizando 1 tornillo largo, con rosca gruesa de cabeza plana.



- ### Q) Conecte la lavadora y permita que siga funcionando.

Accesorios

PEDESTAL DE ALMACENAMIENTO CONCORDANTE

- Pedestal de color Blanco Isleño - P/N EPWD15IW
- Pedestal de color Azul Mediterráneo - P/N EPWD15MB
- Pedestal de color Arena Plateada - P/N EPWD15SS
- Pedestal de color Turquesa Celestial - P/N EPWD15TS
- Pedestal de color Rojo Vivo - P/N EPWD15RR
- Pedestal de color Verde Kelly - P/N EPWD15KG

Un accesorio de pedestal de almacenamiento, especialmente diseñado para esta lavadora, es especialmente diseñado para esta lavadora, se puede utilizar para elevar la unidad y facilitar su uso. Dicho pedestal agregará aproximadamente 38,1 cm (15 pulgadas) a la altura de su unidad para una altura total de 134,62 cm (53 pulgadas).

*Es posible que hayan otros colores disponibles. Póngase en contacto con el distribuidor donde adquirió la lavadora.

KIT DE SECADORA PARA CENTRO DE LAVADO

Pieza No. 134700400

Dependiendo del modelo que haya comprado, es posible que esta secadora correspondiente incluya un kit para instalarla sobre la lavadora. Si el modelo que adquirió no incluye un kit de instalación sobre la lavadora o desea un kit diferente, puede pedir uno.

KIT DE EXTENSIÓN DE LA MANGUERA DE DRENAJE

Pieza No. 137098000

Para alcanzar alturas o distancias del tubo vertical que superen la longitud de la manguera de drenaje provista, solicite el KIT DE EXTENSIÓN DE LA MANGUERA DE DRENAJE.

KIT DE INSTALACIÓN EN UNA CASA RODANTE

Pieza No. 137067200

La instalación en una casa rodante requiere utilizar el KIT DE INSTALACIÓN EN UNA CASA RODANTE.

LLAVE UNIVERSAL PARA ELECTRODOMÉSTICOS

Pieza No. 137019200

La lavadora viene con una LLAVE UNIVERSAL PARA ELECTRODOMÉSTICOS. No obstante, en caso de que desee obtener una llave adicional, puede hacer su pedido.

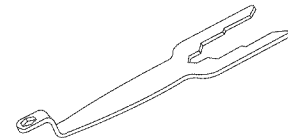
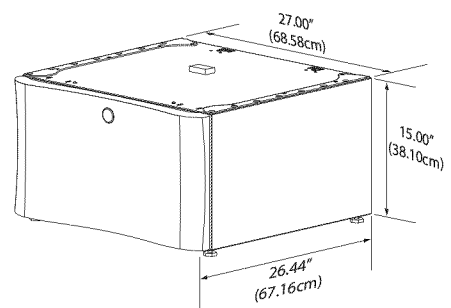
MARCADORES DE PINTURA DE RETOQUE

- Marcador de retoque de pintura Blanco Isleño - Pieza N° 5304468812
- Marcador de retoque de pintura Azul Mediterráneo - Pieza N° 5304468813
- Marcador de retoque de pintura Arena Plateada - Pieza N° 5304468814
- Marcador de retoque de pintura Turquesa Celestial - Pieza N° 5304468815
- Marcador de retoque de pintura Rojo Vivo - P/N 5304471226
- Marcador de retoque de pintura Verde Kelly - P/N 5304471231

*Es posible que hayan otros colores disponibles. Póngase en contacto con el distribuidor donde adquirió la lavadora.

PRECAUCIÓN

El no utilizar accesorios fabricados (o aprobados) por el fabricante puede ocasionar lesiones personales, daños a la propiedad o daños a la lavadora.



Piezas de repuesto: 1-877-4ELECTROLUX (1-877-435-3287)

Si su lavadora necesita piezas de repuesto, comuníquese con el sitio donde la adquirió, llame al 1-877-4ELECTROLUX (1-877-435-3287) o visite nuestro sitio web en www.electroluxappliances.com para ponerse en contacto con la distribuidora autorizada de repuestos Electrolux más cercana a su domicilio.



ADVERTENCIA

PELIGRO DE DESCARGA ELÉCTRICA

Cuando se reparen los controles, rote todos los cables antes de desconectarlos. Los errores de cableado pueden producir un funcionamiento incorrecto y peligroso. Verifique que el funcionamiento es correcto después de realizar las reparaciones.

 **Electrolux**

