



# **SENSOR SMART™ Gas Dryer KING SIZE™ Capacity Plus**

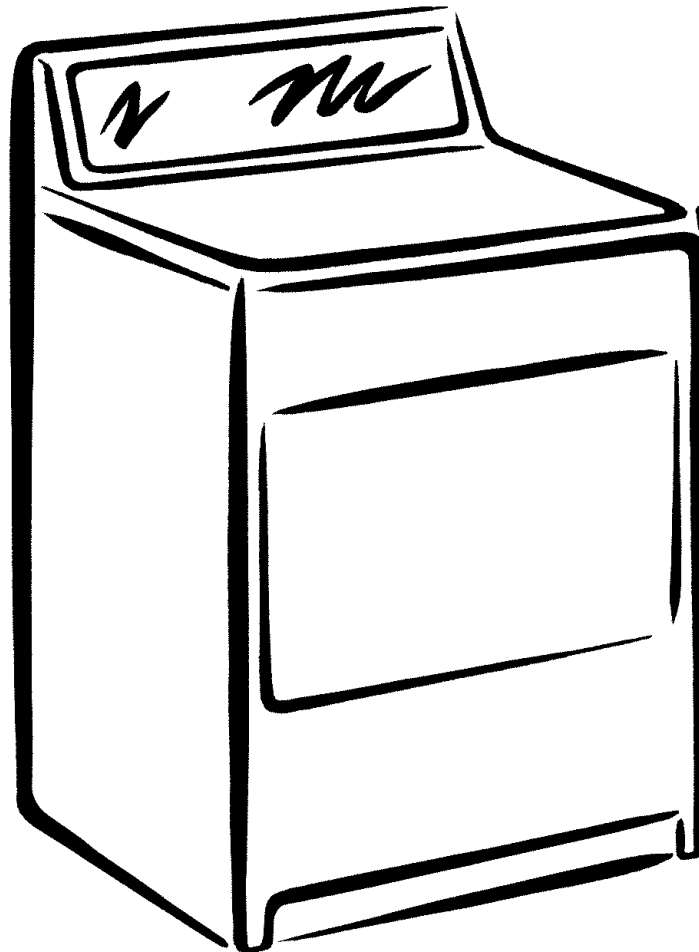
Use & Care Guide

# **Secadora a Gas SENSOR SMART™ de capacidad extra grande (KING SIZE™ “Plus”)**

Manual de uso y cuidado

Models/Modelos **110.7408\***, 7206\*, 7208\*

\* = color number/número de color



ENGLISH ESPAÑOL

# TABLE OF CONTENTS

<b>PROTECTION AGREEMENTS</b> .....	<b>2</b>
<b>WARRANTY</b> .....	<b>2</b>
<b>DRYER SAFETY</b> .....	<b>3</b>
<b>INSTALLATION INSTRUCTIONS</b> .....	<b>5</b>
Tools and Parts .....	5
Location Requirements .....	5
Electrical Requirements.....	6
Gas Supply Requirements .....	7
Venting Requirements .....	8
Plan Vent System .....	8
Install Vent System .....	10
Install Leveling Legs .....	10
Level Dryer.....	11
Make Gas Connection.....	11
Connect Vent.....	11
Complete Installation.....	11
<b>DRYER USE</b> .....	<b>12</b>
Starting Your Dryer.....	12
Stopping Your Dryer.....	12
Pausing or Restarting.....	13
Loading.....	13
Drying and Cycle Tips .....	13
Dryer Status.....	14
Cycles .....	14
Options .....	15
Modifiers .....	15
Changing Cycles, Options and Modifiers.....	16
TUMBLE FREE™ Heated Dryer Rack.....	16
<b>DRYER CARE</b> .....	<b>16</b>
Cleaning the Dryer Location.....	16
Cleaning the Lint Screen .....	17
Cleaning the Dryer Interior .....	17
Removing Accumulated Lint .....	17
Vacation and Moving Care.....	17
Changing the Drum Light .....	17
<b>TROUBLESHOOTING</b> .....	<b>18</b>
<b>SERVICE NUMBERS</b> .....	<b>BACK COVER</b>

## PROTECTION AGREEMENTS

### Master Protection Agreements

Congratulations on making a smart purchase. Your new Kenmore® product is designed and manufactured for years of dependable operation. But like all products, it may require preventive maintenance or repair from time to time. That's when having a Master Protection Agreement can save you money and aggravation.

*Purchase a Master Protection Agreement now and protect yourself from unexpected hassle and expense.*

The Master Protection Agreement also helps extend the life of your new product. Here's what's included in the Agreement:

- ✓ **Expert service** by our 12,000 professional repair specialists
- ✓ **Unlimited service and no charge** for parts and labor on all covered repairs
- ✓ **"No-lemon" guarantee** – replacement of your covered product if four or more product failures occur within twelve months
- ✓ **Product replacement** if your covered product can't be fixed
- ✓ **Annual Preventive Maintenance Check** at your request – no extra charge
- ✓ **Fast help by phone** – phone support from a Sears technician on products requiring in-home repair, plus convenient repair scheduling
- ✓ **Power surge protection** against electrical damage due to power fluctuations
- ✓ **Rental reimbursement** if repair of your covered product takes longer than promised

Once you purchase the Agreement, a simple phone call is all that it takes for you to schedule service. You can call anytime day or night, or schedule a service appointment online.

Sears has over 12,000 professional repair specialists, who have access to over 4.5 million quality parts and accessories. That's the kind of professionalism you can count on to help prolong the life of your new purchase for years to come. Purchase your Master Protection Agreement today!

**Some limitations and exclusions apply. For prices and additional information, call 1-800-827-6655.**

### Sears Installation Service

For Sears professional installation of home appliances, garage door openers, water heaters, and other major home items, in the U.S.A. call **1-800-4-MY-HOME®**.

## WARRANTY

### Full One-Year Warranty on Mechanical and Electrical Parts

For one year from the date of purchase, when this dryer is installed and operated according to the instructions provided in this Use and Care Guide, Sears will repair this dryer, free of charge, if defective in materials or workmanship.

**NOTE:** Exhausting this dryer with a plastic vent can void this warranty. See "Installation Instructions" for the complete exhaust requirements for this dryer.

### Limited Two-Year Warranty on SENSOR SMART™ Electronic Control Board

For the second year from the date of purchase, Sears will replace the electronic control board if defective in material or workmanship. You will be charged for labor after the first year.

### Warranty Restriction

If the dryer is subject to other than private family use, the above warranty coverage is effective for only 90 days.

## Warranty Service

Warranty service is available by contacting the nearest Sears Service Center. This warranty applies only while the product is in use in the United States.

This warranty gives you specific legal rights and you may also have other rights which vary from state to state.

For Sears Warranty information or to contact a Sears Service Center, please refer to the service numbers located on the back page of this manual.

Sears, Roebuck and Co.  
D/817WA, Hoffman Estates, IL 60179

## Product Record

In the space following, record your complete model number, serial number, and purchase date. You can find this information on the model and serial number label, located at the top inside dryer door well.

Have this information available to help you quickly obtain assistance or service when you contact Sears concerning your appliance.

Model number 110. \_\_\_\_\_

Serial number \_\_\_\_\_

Purchase date \_\_\_\_\_

Save these instructions and your sales receipt for future reference.

# DRYER SAFETY

## Your safety and the safety of others are very important.

We have provided many important safety messages in this manual and on your appliance. Always read and obey all safety messages.



This is the safety alert symbol.

This symbol alerts you to potential hazards that can kill or hurt you and others.

All safety messages will follow the safety alert symbol and either the word "DANGER" or "WARNING."

These words mean:

**⚠ DANGER**

You can be killed or seriously injured if you don't immediately follow instructions.

**⚠ WARNING**

You can be killed or seriously injured if you don't follow instructions.

All safety messages will tell you what the potential hazard is, tell you how to reduce the chance of injury, and tell you what can happen if the instructions are not followed.

**WARNING: For your safety, the information in this manual must be followed to minimize the risk of fire or explosion, or to prevent property damage, personal injury, or death.**

- Do not store or use gasoline or other flammable vapors and liquids in the vicinity of this or any other appliance.
- **WHAT TO DO IF YOU SMELL GAS:**
  - Do not try to light any appliance.
  - Do not touch any electrical switch; do not use any phone in your building.
  - Clear the room, building, or area of all occupants.
  - Immediately call your gas supplier from a neighbor's phone. Follow the gas supplier's instructions.
  - If you cannot reach your gas supplier, call the fire department.
- Installation and service must be performed by a qualified installer, service agency, or the gas supplier.

In the State of Massachusetts, the following installation instructions apply:

- Installations and repairs must be performed by a qualified or licensed contractor, plumber, or gasfitter qualified or licensed by the State of Massachusetts.
- If using a ball valve, it shall be a T-handle type.
- A flexible gas connector, when used, must not exceed 3 feet.

### IMPORTANT SAFETY INSTRUCTIONS

**WARNING:** To reduce the risk of fire, electric shock, or injury to persons when using the dryer, follow basic precautions, including the following:

- Read all instructions before using the dryer.
- Do not place items exposed to cooking oils in your dryer. Items contaminated with cooking oils may contribute to a chemical reaction that could cause a load to catch fire.
- Do not dry articles that have been previously cleaned in, washed in, soaked in, or spotted with gasoline, dry-cleaning solvents, other flammable, or explosive substances as they give off vapors that could ignite or explode.
- Do not allow children to play on or in the dryer. Close supervision of children is necessary when the dryer is used near children.
- Before the dryer is removed from service or discarded, remove the door to the drying compartment.
- Do not reach into the dryer if the drum is moving.
- Do not install or store the dryer where it will be exposed to the weather.
- Do not tamper with controls.
- Do not repair or replace any part of the dryer or attempt any servicing unless specifically recommended in this Use and Care Guide or in published user-repair instructions that you understand and have the skills to carry out.
- Do not use fabric softeners or products to eliminate static unless recommended by the manufacturer of the fabric softener or product.
- Do not use heat to dry articles containing foam rubber or similarly textured rubber-like materials.
- Clean lint screen before or after each load.
- Keep area around the exhaust opening and adjacent surrounding areas free from the accumulation of lint, dust, and dirt.
- The interior of the dryer and exhaust vent should be cleaned periodically by qualified service personnel.
- See installation instructions for grounding requirements.

### SAVE THESE INSTRUCTIONS

**IMPORTANT:** The gas installation must conform with local codes, or in the absence of local codes, with the National Fuel Gas Code, ANSI Z223.1/NFPA 54.

The dryer must be electrically grounded in accordance with local codes, or in the absence of local codes, with the National Electrical Code, ANSI/NFPA 70.

# INSTALLATION INSTRUCTIONS

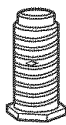
## Tools and Parts

Check that you have everything necessary for correct installation. Proper installation is your responsibility.

- 8" or 10" pipe wrench
- 8" or 10" adjustable wrench (for gas connections)
- Flat-blade screwdriver
- Adjustable wrench that opens to 1" (2.5 cm) or hex-head socket wrench (for adjusting dryer feet)
- Level
- 1/4" nut driver or socket wrench
- Knife
- Vent clamps
- Pipe-joint compound resistant to L.P. gas
- Caulking gun and compound (for installing new exhaust vent)
- Pliers

### Parts supplied:

Remove parts package from dryer drum. Check that all parts were included.



4 leveling legs

### Parts needed:

Check local codes and with gas supplier, check existing gas supply, electrical supply and venting, and read "Electrical Requirements," "Gas Supply Requirements" and "Venting Requirements" before purchasing parts.

Mobile home installations require special parts (listed following) available for purchase from your local Sears store or Sears Service Center. For further information, please call **1-800-4-MY-HOME® (1-800-469-4663)**.

- Mobile Home Installation Kit. Ask for Part Number 346764.
- Metal exhaust system hardware.

## Location Requirements

### ⚠ WARNING



#### Explosion Hazard

Keep flammable materials and vapors, such as gasoline, away from dryer.

Place dryer at least 18 inches (46 cm) above the floor for a garage installation.

Failure to do so can result in death, explosion, or fire.

### You will need

- A location that allows for proper exhaust installation. A gas dryer must be exhausted to the outdoors. See "Venting Requirements."
- A grounded electrical outlet located within 2 ft (61 cm) of either side of the dryer. See "Electrical Requirements."
- A sturdy floor to support the dryer with a total weight (dryer and load) of 200 lbs (90.7 kg).
- A level floor with a maximum slope of 1" (2.5 cm) under entire dryer. (If slope is greater than 1" [2.5 cm], install Extended Dryer Feet Kit, Part Number 279810.) Clothes may not tumble properly and dryers with automatic sensor cycles may not operate correctly if dryer is not level.

Do not operate your dryer at temperatures below 45°F (7°C). At lower temperatures, the dryer might not shut off at the end of an automatic cycle. Drying times can be extended.

The dryer must not be installed or stored in an area where it will be exposed to water and/or weather.

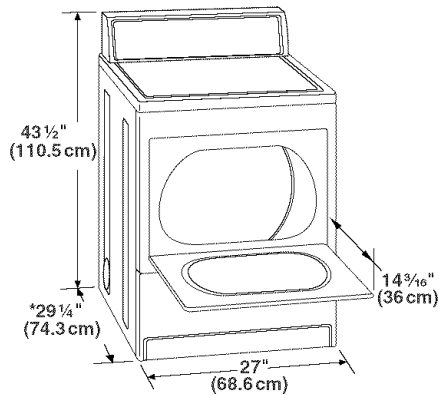
Check code requirements. Some codes limit, or do not permit, installation of the dryer in garages, closets, mobile homes, or sleeping quarters. Contact your local building inspector.

**NOTE:** No other fuel-burning appliance can be installed in the same closet as a dryer.

## Installation Clearances

The location must be large enough to allow the dryer door to open fully.

## Dryer Dimensions

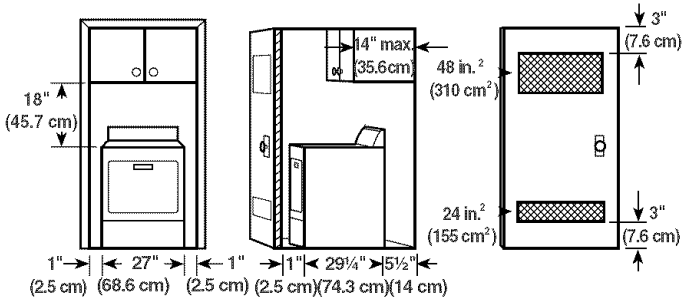


\*Most installations require a minimum 5½" (14 cm) clearance behind the dryer for the exhaust vent with elbow. See "Venting Requirements."

## Minimum installation spacing for recessed area or closet installation

The dimensions shown following are for the minimum spacing allowed.

- Additional spacing should be considered for ease of installation and servicing.
- Additional clearances might be required for wall, door and floor moldings.
- Additional spacing of 1" (2.5 cm) on all sides of the dryer is recommended to reduce noise transfer.
- For closet installation, with a door, minimum ventilation openings in the top and bottom of the door are required. Louvered doors with equivalent ventilation openings are acceptable.
- Companion appliance spacing should also be considered.



A. Recessed area  
B. Side view - closet or confined area  
C. Closet door with vents

## Mobile Home - Additional Installation Requirements

This dryer is suitable for mobile home installations. The installation must conform to the Manufactured Home Construction and Safety Standard, Title 24 CFR, Part 3280 (formerly the Federal Standard for Mobile Home Construction and Safety, Title 24, HUD Part 280).

### Mobile home installations require:

- Metal exhaust system hardware which is available for purchase from your local Sears store or Sears Service dealer.
- Mobile Home Installation Kit Part Number 346764. See "Tools and Parts" section for ordering information.
- Special provisions must be made in mobile homes to introduce outside air into the dryer. The opening (such as a nearby window) should be at least twice as large as the dryer exhaust opening.

## Electrical Requirements

### ⚠ WARNING



#### Electrical Shock Hazard

Plug into a grounded 3 prong outlet.

Do not remove ground prong.

Do not use an adapter.

Do not use an extension cord.

Failure to follow these instructions can result in death, fire, or electrical shock.

- 120-Volt, 60-Hz., AC-only, 15- or 20-amp fused electrical supply is required. (Time-delay fuse or circuit breaker is recommended.) It is recommended that a separate circuit serving only this dryer be provided.

### GROUNDING INSTRUCTIONS

- For a grounded, cord-connected dryer:  
This dryer must be grounded. In the event of malfunction or breakdown, grounding will reduce the risk of electric shock by providing a path of least resistance for electric current. This dryer is equipped with a cord having an equipment-grounding conductor and a grounding plug. The plug must be plugged into an appropriate outlet that is properly installed and grounded in accordance with all local codes and ordinances.

**WARNING:** Improper connection of the equipment-grounding conductor can result in a risk of electric shock. Check with a qualified electrician or service representative or personnel if you are in doubt as to whether the dryer is properly grounded. Do not modify the plug provided with the dryer: if it will not fit the outlet, have a proper outlet installed by a qualified electrician.

**SAVE THESE INSTRUCTIONS**

## Gas Supply Requirements

### **⚠ WARNING**



#### Explosion Hazard

Use a new AGA or CSA approved gas supply line.

Install a shut-off valve.

Securely tighten all gas connections.

If connected to LP, have a qualified person make sure gas pressure does not exceed 13" (33 cm) water column.

Examples of a qualified person include:

licensed heating personnel,  
authorized gas company personnel, and  
authorized service personnel.

Failure to do so can result in death, explosion, or fire.

### Gas Type

#### Natural Gas:

This dryer is equipped for use with natural gas. It is design-certified by CSA International for L.P. (propane or butane) gases with appropriate conversion.

- Your dryer must have the correct burner for the type of gas in your home. Burner information is located on the rating plate in the door well of your dryer. If this information does not agree with the type of gas available, contact your local Sears store or Sears Service Center.

#### L.P. gas conversion:

**Conversion must be made by a qualified technician.**

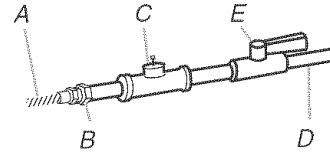
No attempt shall be made to convert the appliance from the gas specified on the model/serial rating plate for use with a different gas without consulting the serving gas supplier.

#### Gas Supply Line:

- 1/2" IPS pipe is recommended.
- 3/8" approved tubing is acceptable for lengths under 20 ft (6.1 m) if local codes and gas supplier permit.
- Must include 1/8" NPT minimum plugged tapping accessible for test gauge connection, immediately upstream of the gas connection to the dryer (see illustration).

- Must include a shutoff valve:

An individual shutoff valve must be installed within six (6) feet (1.8 m) of the dryer in accordance with the National Fuel Gas Code, ANSI Z223.1. The location should be easy to reach for opening and closing.



- A. 3/8" flexible gas connector
- B. 3/8" pipe to flare adapter fitting
- C. 1/8" NPT plugged tapping
- D. 1/2" NPT gas supply line
- E. Gas shutoff valve

### Gas supply connection requirements

There are many methods by which your gas dryer can be connected to the gas supply. Listed here are some guidelines for two different methods of connection.

#### Option 1 (Recommended Method):

Flexible stainless steel gas connector:

- If local codes permit, use a new flexible stainless steel gas connector (Design Certified by the American Gas Association or CSA International) to connect your dryer to the rigid gas supply line. Use an elbow and a 3/8" flare x 3/8" NPT adapter fitting between the stainless steel gas connector and the dryer gas pipe, as needed to prevent kinking.

#### Option 2 (Alternate Method):

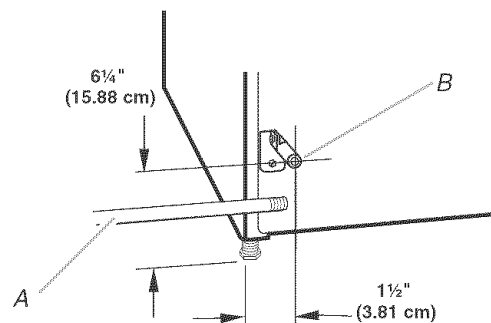
Approved aluminum or copper tubing:

- Lengths under 20 ft (6.1 m) can use 3/8" approved tubing (if codes and gas supplier permit).
- If you are using natural gas, do not use copper tubing.
- 3/8" flare x 3/8" NPT adapter fitting between dryer pipe and 3/8" approved tubing
- Lengths over 20 ft (6.1 m) should use larger tubing and a different size adapter fitting.
- If your dryer has been converted to use L.P. gas, 3/8" L.P. compatible copper tubing can be used. If the total length of the supply line is more than 20 ft (6.1 m), use larger pipe.

**NOTE:** Pipe joint compounds that resist the action of L.P. gas must be used. Do not use TEFLON®† tape.

### Dryer Gas Pipe

- The gas pipe that comes out through the rear of your dryer has a 3/8" male pipe thread.



- A. 1/2" NPT gas supply line
- B. 3/8" NPT dryer pipe

†TEFLON is a registered trademark of E.I. Du Pont De Nemours and Company.

**Burner Input Requirements:**

**Elevations up to 10,000 ft (3,048 meters):**

- The design of this dryer is certified by CSA International for use at altitudes up to 10,000 ft (3,048 m) above sea level at the B.T.U. rating indicated on the model/serial number plate. Burner input adjustments are not required when the dryer is operated up to this elevation.

**Elevations above 10,000 ft (3,048 meters):**

- When installed above 10,000 ft (3,048 m) a 4% reduction of the burner B.T.U. rating shown on the model/serial number plate is required for each 1,000 ft (305 m) increase in elevation.

**Gas Supply Pressure Testing**

- The dryer must be disconnected from the gas supply piping system during pressure testing at pressures greater than 1/2 psi.

**Venting Requirements**

**⚠ WARNING**



**Fire Hazard**

Use a heavy metal vent.  
 Do not use a plastic vent.  
 Do not use a metal foil vent.  
 Failure to follow these instructions can result in death or fire.

**WARNING:** To reduce the risk of fire, this dryer **MUST BE EXHAUSTED OUTDOORS.**

4" (10.2 cm) heavy metal exhaust vent and clamps must be used. DURASAFE™ venting products are recommended and are available from your local Sears store or Sears Service Center. DURASAFE™ vent products can be purchased from your dealer. For further information, please call **1-800-4-MY-HOME®** (1-800-469-4663) or visit our Internet site at: [www.sears.com](http://www.sears.com).

- The dryer exhaust must not be connected into any gas vent, chimney, wall, ceiling, or a concealed space of a building.
- Do not use an exhaust hood with a magnetic latch.
- Do not install flexible metal vent in enclosed walls, ceilings or floors.
- Use clamps to seal all joints. Exhaust vent must not be connected or secured with screws or other fastening devices which extend into the interior of the duct. Do not use duct tape.

**IMPORTANT:** Observe all governing codes and ordinances.

**Improper venting can cause moisture and lint to collect indoors, which may result in:**

- Moisture damage to woodwork, furniture, paint, wallpaper, carpets, etc.
- Housecleaning problems and health problems.

Use a heavy metal vent. Do not use plastic or metal foil vent. Rigid metal vent is recommended to prevent crushing and kinking.

Flexible metal vent must be fully extended and supported when the dryer is in its final position. Remove excess flexible metal vent to avoid sagging and kinking that may result in reduced airflow and poor performance.

An exhaust hood should cap the vent to prevent rodents and insects from entering the home.

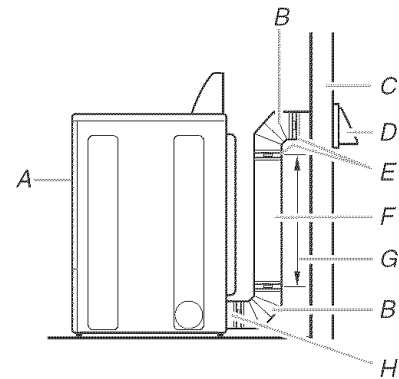
Exhaust hood must be at least 12" (30.5 cm) from the ground or any object that may be in the path of the exhaust (such as flowers, rocks or bushes, etc.).

If using an existing vent system, clean lint from the entire length of the system and make sure exhaust hood is not plugged with lint. Replace any plastic or metal foil vent with rigid metal or flexible metal vent.

**Plan Vent System**

**Typical exhaust installations**

Typical installations vent the dryer from the rear of the dryer. Other installations are possible.



- A. Dryer
- B. Elbow
- C. Wall
- D. Exhaust hood
- E. Clamps
- F. Rigid metal or flexible metal vent
- G. Vent length necessary to connect elbows
- H. Exhaust outlet



## Optional exhaust installations

This dryer can be converted to exhaust out the right side, left side, or through the bottom. Contact your local dealer to have the dryer converted.

# WARNING



## Fire Hazard

Cover unused exhaust holes with one of the following kits:

279818 (white)

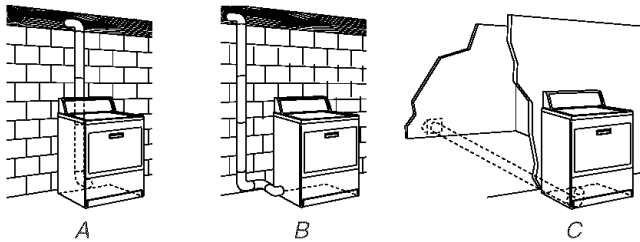
279819 (almond)

279915 (graphite)

279925 (biscuit)

Contact your local dealer.

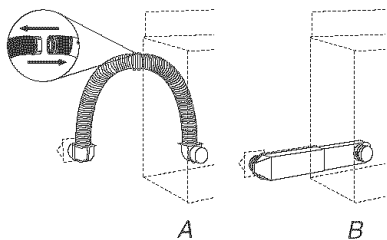
Failure to follow these instructions can result in death, fire, electrical shock, or serious injury.



A. Standard rear offset exhaust installation  
B. Left or right side exhaust installation  
C. Bottom exhaust installation

## Alternate installations for close clearances

Venting systems come in many varieties. Select the type best for your installation. Two close-clearance installations are shown. Refer to the manufacturer's instructions.



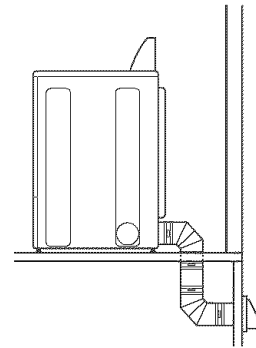
A. Over-The-Top installation (also available with one offset elbow)  
B. Periscope installation

**NOTE:** The following kits for close clearance alternate installations are available for purchase. For further information, please call **1-800-4-MY-HOME® (1-800-469-4663)**.

- Over-The-Top Installation:  
Part Number 26-49900
- Periscope Installation (For use with dryer vent to wall vent mismatch):  
Part Number 26-49901 - Less than 5" (12.7 cm) mismatch  
Part Number 26-49908 - 5" (12.7 cm) to 18" (45.72 cm) mismatch  
Part Number 26-49904 - 18" (45.72 cm) to 29" (73.66 cm) mismatch  
Part Number 26-49905 - 29" (73.66 cm) to 50" (127 cm) mismatch

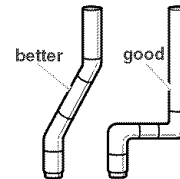
## Special provisions for mobile home installations

The exhaust vent must be securely fastened to a noncombustible portion of the mobile home structure and must not terminate beneath the mobile home. Terminate the exhaust vent outside.

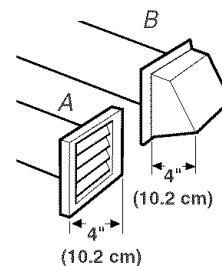


## Determine Vent Length

1. Select the route that will provide the straightest and most direct path outdoors. Plan the installation to use the fewest number of elbows and turns. When using elbows or making turns, allow as much room as possible. Bend vent gradually to avoid kinking. Avoid 90° turns when possible.

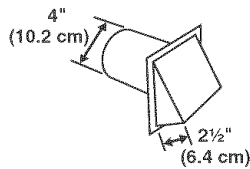


2. Determine vent length.  
The maximum length of the exhaust system depends upon:
  - The type of vent (rigid metal or flexible metal).
  - The number of elbows used.
  - Type of hood.
 Recommended hood styles are shown here.



A. Louvered hood style  
B. Box hood style

The angled hood style (shown following) is acceptable.



See the exhaust vent length chart that matches your hood type for the maximum vent lengths you can use.

Exhaust systems longer than specified will:

- Shorten the life of the dryer.
- Reduce performance, resulting in longer drying times and increased energy usage.

3. Determine the number of elbows you will need.

**NOTE:** Do not use vent runs longer than specified in the Vent Length Chart.

The chart below helps you determine your maximum vent length based on the number of 90° turns or elbows you will need and the type of vent (rigid or flexible metal) and hood that you will use.

### Vent Length Chart

Number of 90° turns or elbows	Type of vent	Box or louvered hoods	Angled hoods
0	Rigid metal	64 ft (20 m)	58 ft (17.7 m)
	Flexible metal	36 ft (11 m)	28 ft (8.5 m)
1	Rigid metal	54 ft (16.5 m)	48 ft (14.6 m)
	Flexible metal	31 ft (9.4 m)	23 ft (7 m)
2	Rigid metal	44 ft (13.4 m)	38 ft (11.6 m)
	Flexible metal	27 ft (8.2 m)	19 ft (5.8 m)
3	Rigid metal	35 ft (10.7 m)	29 ft (8.8 m)
	Flexible metal	25 ft (7.6 m)	17 ft (5.2 m)
4	Rigid metal	27 ft (8.2 m)	21 ft (6.4 m)
	Flexible metal	23 ft (7 m)	15 ft (4.6 m)

**NOTE:** Side and bottom exhaust installations have a 90° turn inside the dryer. To determine maximum exhaust length, add one 90° turn to the chart.

### Install Vent System

1. Install exhaust hood. Use caulking compound to seal exterior wall opening around exhaust hood.
2. Connect vent to exhaust hood. Vent must fit inside exhaust hood. Secure vent to exhaust hood with 4" (10.2 cm) clamp.
3. Run vent to dryer location. Use the straightest path possible. See "Determine Vent Length." Avoid 90° turns. Use clamps to seal all joints. Do not use duct tape, screws or other fastening devices that extend into the interior of the vent to secure vent.

### Install Leveling Legs

## ⚠ WARNING

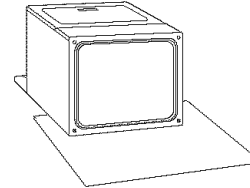
### Excessive Weight Hazard

Use two or more people to move and install dryer.

Failure to do so can result in back or other injury.

1. To protect the floor, use a large flat piece of cardboard from the dryer carton. Place cardboard under the entire back edge of the dryer. See illustration.

Firmly grasp the body of the dryer (not the top or console panel). Gently lay the dryer on the cardboard.



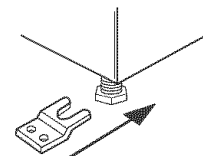
2. Examine the leveling legs. Find the diamond marking.



3. Screw the legs into the leg holes by hand. Use a wrench to finish turning the legs until the diamond marking is no longer visible.
4. Place a carton corner post under each of the 2 dryer back corners. Stand the dryer up. Slide the dryer on the corner posts until it is close to its final location. Leave enough room to connect the exhaust vent.
5. Once connection is made and dryer is in final location, remove corner posts and cardboard.

### For mobile home use

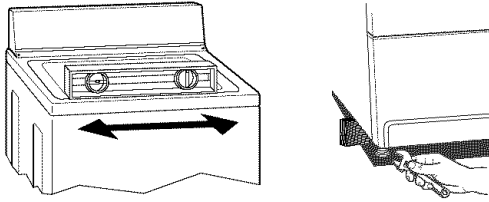
Gas dryers must be securely fastened to the floor.



Mobile home installations require a Mobile Home Installation Kit. See "Tools and Parts" section for ordering information.

## Level Dryer

Check the levelness of the dryer. Check levelness first side to side, then front to back.



If the dryer is not level, prop up the dryer using a wood block. Use a wrench to adjust the legs up or down and check again for levelness.

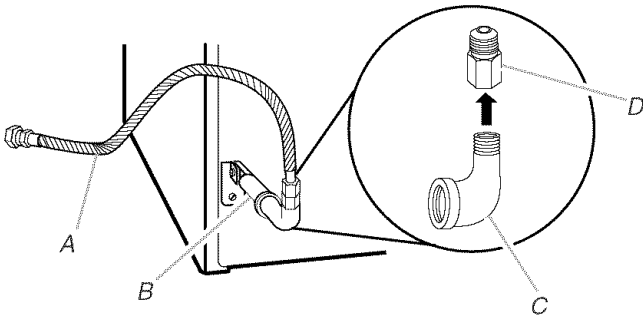
**NOTE:** It might be necessary to level the dryer again after it is moved into its final position.

## Make Gas Connection

1. Remove the red cap from the gas pipe. Move the dryer close to its final position.
2. Using a wrench to tighten, connect the gas supply to the dryer. Use pipe joint compound on all non-flared male threads. If flexible metal tubing is used, be sure there are no kinks.

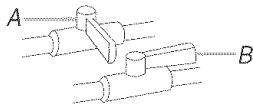
**NOTE:** For L.P. gas connections, you must use pipe joint compound resistant to the action of L.P. gas. Do not use TEFLON<sup>®</sup> tape.

A combination of pipe fittings must be used to connect the dryer to the existing gas line. Shown following is a recommended connection. Your connection may be different, according to the supply line type, size and location.



- A. 3/8" flexible gas connector
- B. 3/8" dryer pipe
- C. 3/8" to 1/2" pipe elbow
- D. 1/2" pipe-to-flare adapter fitting

3. Open the shutoff valve in the supply line. The valve is open when the handle is parallel to the gas pipe.



- A. Closed valve
- B. Open valve

4. Test all connections by brushing on an approved noncorrosive leak-detection solution. Bubbles will show a leak. Correct any leak found.

## Connect Vent

1. Using a 4" (10.2 cm) clamp, connect vent to exhaust outlet in dryer. If connecting to existing vent, make sure the vent is clean. The dryer vent must fit over the dryer exhaust outlet and inside the exhaust hood. Make sure the vent is secured to exhaust hood with a 4" (10.2 cm) clamp.
2. Move dryer into final position. Do not crush or kink vent. Make sure dryer is level.
3. (On gas models) Check to be sure there are no kinks in the flexible gas line.

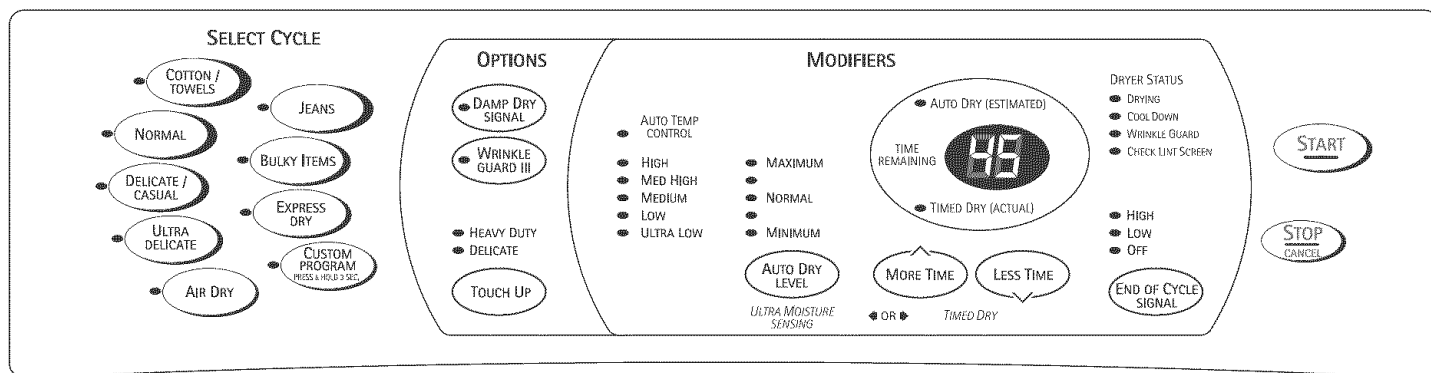
## Complete Installation

1. Check to be sure all parts are now installed. If there is an extra part, go back through the steps to see which step was skipped.
2. Check to be sure you have all of your tools.
3. Dispose of all packaging materials.
4. Check the dryer's location. Be sure the vent is not crushed or kinked.
5. Check to be sure the dryer is level. See "Level Dryer."
6. Plug into a grounded 3 prong outlet. Turn power on.
7. Remove the blue protective film on the console and any tape remaining on the dryer.
8. Read "Dryer Use."
9. Wipe the dryer drum interior thoroughly with a damp cloth to remove any dust.
10. Set the dryer on a full heat cycle (not an air cycle) for 20 minutes and start the dryer.

### If the dryer will not start, check the following:


- Dryer is plugged into a grounded 3 prong outlet.
  - Electrical supply is connected.
  - House fuse is intact and tight, or circuit breaker has not tripped.
  - Dryer door is closed.
11. When the dryer has been running for 5 minutes, open the dryer door and feel for heat. If you do not feel heat, turn the dryer off and check to see that the gas supply line shutoff valve is open.
    - If the gas supply line shutoff valve is closed, open it, then repeat the 5-minute test as outlined above.
    - If the gas supply line shutoff valve is open, contact a qualified technician.

# DRYER USE



## Starting Your Dryer

**⚠ WARNING**




**Explosion Hazard**

Keep flammable materials and vapors, such as gasoline, away from dryer.

Do not dry anything that has ever had anything flammable on it (even after washing).

Failure to follow these instructions can result in death, explosion, or fire.

**⚠ WARNING**



**Fire Hazard**

No washer can completely remove oil.

Do not dry anything that has ever had any type of oil on it (including cooking oils).

Items containing foam, rubber, or plastic must be dried on a clothesline or by using an Air Cycle.

Failure to follow these instructions can result in death or fire.

The following is a guide to starting your dryer. Periodic references to other sections of this manual provide more detailed information.

1. Check lint screen. Clean if needed.
2. Put laundry into dryer and shut door. See "Loading."
3. Select the cycle you want by pressing one of the pads under SELECT CYCLE or by selecting TOUCH UP under OPTIONS. See "Cycles" and "Options." The preset settings for Auto Dry or Timed Dry will glow. The estimated or actual cycle time (in minutes) will show in the display.
  - The preset settings provide the recommended fabric care for your selected cycle. For preset cycle settings, see "Drying and Cycle Tips."
  - If desired, you can change the Auto Dry (Estimated) time by pressing AUTO DRY LEVEL until the desired level of dryness and estimated dry time are displayed. The Auto Dry Level saves you time by providing the best drying results in the shortest time. Electronic sensors determine the dryness level of your clothes. When your clothes are almost dry, the drying time automatically changes from estimated to the actual time remaining in your cycle. For details, see "Modifiers."

**NOTE:** To change from an Auto Dry cycle to a Timed Dry cycle, press MORE TIME or LESS TIME. The time displayed will be the actual time.

4. (OPTIONAL STEP) If desired, select OPTIONS. For more details, see "Options."
5. (OPTIONAL STEP) If desired, set the END OF CYCLE SIGNAL.
6. Press START. Be sure the door is closed.
  - If you do not press START within 5 minutes of selecting the cycle, the dryer will automatically shut off.
  - If you wish to end your drying cycle after pressing START, press STOP/CANCEL twice.

## Stopping Your Dryer

**To stop your dryer at any time**

Press STOP/CANCEL or open the door.

## Pausing or Restarting

### To pause the dryer at any time

Open the door or press STOP/CANCEL once.

### To restart the dryer

Close the door and press START.

**NOTE:** Drying will continue from where the cycle was interrupted if you close the door and press START within 5 minutes. If the cycle is interrupted for more than 5 minutes, the dryer will shut off. You will need to select new cycle settings before restarting the dryer.

## Loading

Properly loading your dryer can lower your utility bill and prolong the life of your garments.

### Loading suggestions

- Load the dryer by the amount of space items take up, not by their weight.
- Do not overload the dryer. This causes uneven drying and wrinkling.

### KING SIZE™ Capacity Dryers

#### Heavy Work Clothes

4 jeans	2 sweatpants
4 workpants	2 sweatshirts
4 workshirts	

#### Towels

10 bath towels	14 washcloths
10 hand towels	

#### Mixed Load

3 sheets (1 king, 2 twin)	9 T-shirts
4 pillowcases	9 shorts
3 shirts	10 handkerchiefs
3 blouses	

## Drying and Cycle Tips

Select the correct cycle and temperature for your load.

The display shows the estimated cycle time when your dryer is automatically sensing the dryness level of your load. If a cycle is using Timed Dry, the display shows the exact number of minutes remaining in the cycle.

Cool Down tumbles the load without heat during the last few minutes of all cycles. Cool Down makes the loads easier to handle. The length of the Cool Down depends on the load size and dryness level.

### Drying tips

- Follow care label directions when they are available.
- If you use fabric softener sheets, use only ones labeled as dryer safe. Follow package instructions.
- Remove the load from the dryer as soon as tumbling stops to reduce wrinkling. This is especially important for permanent press, knits, and synthetic fabrics.

### Cycle tips

- Dry most loads using the preset cycle settings.

- Use this chart as a guide to dry various loads. Drying temperature and Auto Dry Level (Normal Dry) are preset when you choose an Auto Dry cycle. You can select a different dryness level, depending on your load (see “Modifiers”).
- For a Timed cycle, drying temperature is preset, but the time can be adjusted.

### PRESET CYCLE SETTINGS

Cycle Load Type	Drying Method (Auto Dry Level)	Temp.	Time (minutes)
<b>COTTON/TOWELS</b> <i>Heavyweight items, towels</i>	Auto Dry (Normal)	High	54*
<b>JEANS</b> <i>Denim pants, jackets</i>	Auto Dry (Normal)	Medium High	64*
<b>NORMAL</b> <i>Corduroys, work clothes</i>	Auto Dry (Normal)	Medium	52*
<b>BULKY ITEMS</b> <i>Bedspreads, sleeping bags</i>	Auto Dry (Normal)	Medium	60*
<b>DELICATE/CASUAL</b> <i>Sheets, permanent press, diapers</i>	Auto Dry (Normal)	Low	36*
<b>ULTRA DELICATE</b> <i>Exercise wear, sheer curtains, lace</i>	Auto Dry (Normal)	Ultra Low	22*
<b>EXPRESS DRY™</b> <i>Small loads</i>	Timed Dry	High	23**
<b>AIR DRY</b> <i>Rubber, plastic, special-care</i>	Timed Dry	No heat	30**
<b>TOUCH UP</b> <b>Heavy Duty</b> <i>Heavyweight, sturdy fabrics</i>	Timed Dry	High	30**
<b>Delicate</b> <i>Lightweight items, synthetics</i>	Timed Dry	Low	20**

\*Estimated preset time

\*\*Actual time

## Dryer Status

Follow the progress of your dryer with the Drying Status indicators.

### DRYER STATUS

- DRYING
- COOL DOWN
- WRINKLE GUARD
- CHECK LINT SCREEN

DRYING glows when Start is pressed.

DRYING flashes when the display shows the actual minutes remaining in the cycle. DRYING stops flashing at the start of Cool Down.

COOL DOWN glows during the cool down part of the cycle.

CHECK LINT SCREEN flashes to remind you to clean the lint screen before starting a cycle. The light turns off when you open the dryer door or press Start.

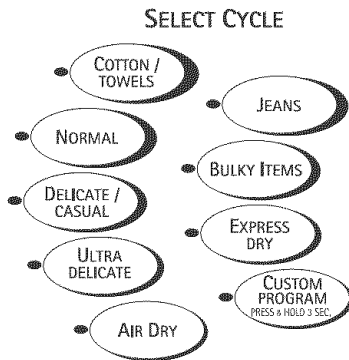
### Indicator lights

Other indicator lights show what cycle, options and modifiers have been selected. The display lights also show the estimated or actual Time Remaining.

## Cycles

Select the drying cycle that matches the type of load you are drying. A preset range of heat is automatically set for the type of fabric selected. (See "Drying and Cycle Tips" chart.)

When you select a cycle, your dryer selects a preset temperature, Auto Dry Level (Normal) and either Auto Dry (Estimated) or Timed Dry (Actual) Time Remaining. The time displayed for the Auto Dry cycles are estimated times. Part way through the cycle, the dryer turns the Auto Dry (Estimated) Time Remaining indicator light off and displays the actual time remaining on the display. The Timed Dry (Actual) indicator light will glow only if a Timed Dry cycle was selected. (See "Modifiers.")



### Cotton/Towels

Use this cycle to get high heat for heavy fabrics.

### Jeans

Use this cycle to get medium high heat for drying denims.

### Normal

Use this cycle to get medium heat for drying sturdy fabrics.

### Bulky Items

Use this cycle for drying large, bulky items that dry quickly on the outside, but stay wet on the inside. This cycle uses medium heat.

### Delicate/Casual

Use this cycle to get low heat for drying synthetic fabrics, washable knit fabrics and no-iron finishes.

### Ultra Delicate

Use this cycle to get ultra low heat to gently dry items such as exercise wear or sheer curtains.

### EXPRESS DRY™

Use this 23 minute High Heat cycle for drying small loads or loads that need a short drying time.

### Air Dry

Air Dry gives you all the benefits of hang drying with a shorter drying time. Adjust the Air Dry cycle from 1 to 99 minutes at any time during the cycle, or use the preset setting of 30 minutes.

Use the Air Dry cycle for items that require drying without heat such as rubber, plastic and heat-sensitive fabrics. This chart shows examples of items that can be dried using the Air Dry cycle.

Type of Load	Minutes
Foam rubber - pillows, padded bras, stuffed toys	20 - 30
Plastic - Shower curtains, tablecloths	20 - 30
Rubber-backed rugs	40 - 50
Olefin, polypropylene, sheer nylon	10 - 20

### When using Air Dry

- Check to see that coverings are securely stitched.
- Shake and fluff pillows by hand periodically during the cycle.
- Dry item completely. Foam rubber pillows are slow to dry.

**NOTE:** An Auto Dry Level selection is not available when using the Air Dry cycle.

### Custom Program

Use the Custom Program to select the Cycle, Options and Modifiers you use most frequently and store them for future use.

#### To store a cycle for future use

1. Select a Cycle.
2. Select the desired Options.
3. Select the desired Modifiers.
4. Press and hold CUSTOM PROGRAM for 3 seconds until you hear a beep.
5. Press START.

#### To reuse this cycle

1. Press CUSTOM PROGRAM.
2. Press START.

## Options

You can customize your cycles by selecting options.



### Damp Dry Signal

Select the Damp Dry Signal to alert you that your clothes are approximately 80% dry. This is useful when you want to remove lightweight items in a mixed load (to prevent overdrying), or remove partially dry items that may need ironing.

**NOTE:** The Damp Dry Signal is an option that is only available with Automatic cycle.

### WRINKLE GUARD® III

WRINKLE GUARD® III prevents wrinkles that form when you cannot unload the dryer promptly at the end of a cycle.

- Press WRINKLE GUARD® III to get up to 2½ hours of heat-free, periodic tumbling at the end of a cycle.
- Stop WRINKLE GUARD® III at any time by pressing the WRINKLE GUARD® III pad or opening the dryer door.
- For the Delicate/Casual Auto Dry cycle, WRINKLE GUARD® III is preset to "ON." The other Auto Dry cycles will retain the WRINKLE GUARD® III setting. (For example, if you select WRINKLE GUARD® III in the Normal cycle, WRINKLE GUARD® III will be on the next time you select the Normal cycle.)

**NOTE:** If you do not select WRINKLE GUARD® III, the dryer stops after Cool Down.

### Touch Up

Select this option to remove wrinkles from clean items such as clothes packed in a suitcase or items wrinkled from being left in the dryer too long.

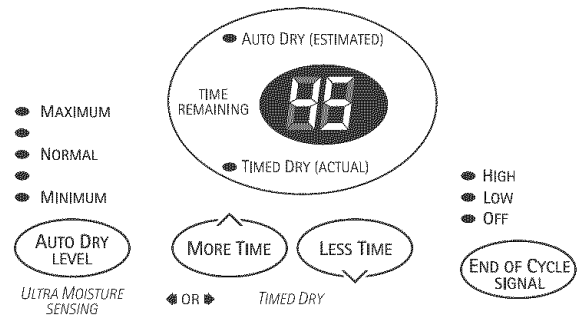
- Press TOUCH UP once to get HEAVY DUTY (30 minutes of high heat). Use Heavy Duty for medium to heavyweight items such as bedspreads and jeans.
- Press TOUCH UP twice to get DELICATE (20 minutes of low heat). Use Delicate for light to medium weight items such as blouses and skirts.
- Press MORE TIME or LESS TIME to adjust the cycle time.
- The WRINKLE GUARD® III option is also available in Touch Up. Remove clothes immediately when tumbling stops.

## Modifiers

When you select a cycle, the preset Auto Dry Level (Auto Dry) or Timed Dry settings for that cycle will glow. Modifiers allow you to change the preset settings and further customize your cycles.

### Auto Dry Level with Ultra Moisture Sensing

Auto Dry Level with Ultra Moisture Sensing provides the most accurate drying results in the shortest time. This can help you save money on utility bills and reduce the risk of fabric damage. Dryness level is determined by dual sensor strips that measure the moisture in your clothes. Once the desired dryness level is reached, the electronic sensors signal the dryer to stop to prevent overdrying your clothes.



For all Auto Dry cycles, the Auto Dry Level is automatically set at Normal. This setting provides the recommended fabric care for your cycle. The display will show the estimated time (in minutes) required to reach an approximate 80% dry level. After the 80% dryness level is reached, the remaining drying time required will be displayed as actual time remaining.

Use the Normal setting to dry most loads. At the end of the cycle, feel the dried clothes.

- If they are damper than you like, select a setting above Normal the next time you dry a similar load.
- If they are drier than you like, select a setting below Normal the next time you dry a similar load.

### To change the dryness level

Press AUTO DRY LEVEL until the desired dryness level glows.

**NOTE:** Auto Dry Level is not a selectable option with the EXPRESS DRY™ cycle, the Air Dry cycle or Touch Up.

### To change from estimated to actual drying time

Press MORE TIME or LESS TIME until the desired time is displayed. The light for Timed Dry (Actual) will glow.

### Timed Dry

Use Timed Dry to select a specific amount of drying time. The preset settings for EXPRESS DRY™, Air Dry and Touch Up are automatically set to Timed Dry.

### To change the time

Press MORE TIME or LESS TIME until the desired time shows in the display.

### End of Cycle Signal

The End of Cycle Signal produces an audible sound when the drying cycle is finished. Promptly removing clothes at the end of the cycle reduces wrinkling.

Press the END OF CYCLE SIGNAL pad to adjust the sound level or turn off the signal.

**NOTE:** When WRINKLE GUARD® III is selected and the End of Cycle Signal is on, an audible sound will emit every five minutes until the clothes are removed, or WRINKLE GUARD® III is finished.

## Changing Cycles, Options and Modifiers

You can change Cycles, Options and Modifiers anytime before Start is pressed.

- A short tone sounds when a change is selected.
- Two short tones sound if an unavailable combination is selected. The last selection will not be accepted.

### Changing Cycles after pressing Start

1. Press STOP/CANCEL twice.
2. Select the desired cycle.
3. Press START. The dryer starts at the beginning of the new cycle.

**NOTE:** If you do not press Start within 5 minutes of selecting the cycle, the dryer automatically shuts off.

### Changing Options and Modifiers after pressing Start

You can change an Option or Modifier anytime before the selected Option or Modifier begins.

1. Press STOP/CANCEL.
2. Select the new Option and/or Modifiers.
3. Press START to continue the cycle.

## TUMBLE FREE™ Heated Dryer Rack

The dryer rack was shipped on top of your dryer. Remove and discard shipping blocks before use.

Use the TUMBLE FREE™ Heated Dryer Rack for items that you do not want to tumble dry, such as sweaters. When you use the heated dryer rack, the heated air inside the dryer flows in a concentrated pattern to allow efficient and uniform drying.

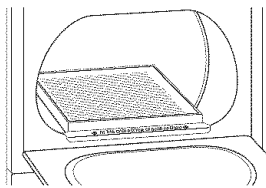
Use Timed Dry to select the desired time.

**NOTE:** Do not use Automatic cycles with the dryer rack.

### To use the heated dryer rack:

Do not remove the lint screen.

1. Open dryer door.
2. Slide dryer rack over the bottom of the dryer door opening. Push down to secure on the frame.



3. Place wet items on top of the rack. Allow space around items for air to circulate. The rack does not move, but the drum will rotate. Make sure items do not hang over the edges or between rack grille.
4. Close the door.

5. Select the desired cycle to match the fabrics in your load. Items containing foam, rubber, or plastic must be dried on a clothesline or by using an air cycle. Refer to the following table.
6. You must select a time by pressing the MORE TIME or LESS TIME pads. Refer to the following table.
7. Start the dryer.

**NOTE:** You must remove rack for normal tumbling. To remove the dryer rack, lift it straight up and out of the dryer.

**NOTE:** Check the lint screen and remove any lint accumulated from items dried on the rack.

Suggested Items for Rack Drying	Cycle Setting	Suggested Time* (minutes)
Washable wool items (block to shape and lay flat on rack)	Touch Up (Delicate)	20
Stuffed toys or pillows (cotton or polyester fiber filling)	Touch Up (Delicate)	30
Stuffed toys (foam rubber filled)	Air Dry	50
Tennis shoes	Air Dry	20

\* Reset time as needed to complete drying.

## DRYER CARE

### Cleaning the Dryer Location

Keep dryer area clear and free from items that would obstruct the flow of combustion and ventilation air.

### ⚠ WARNING



#### Explosion Hazard

Keep flammable materials and vapors, such as gasoline, away from dryer.

Place dryer at least 18 inches (46 cm) above the floor for a garage installation.

Failure to do so can result in death, explosion, or fire.



---

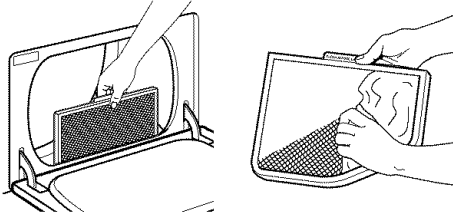
## Cleaning the Lint Screen

### Every load cleaning

The lint screen is located in the door of the dryer. Clean it before each load. A screen blocked by lint can increase drying time.

### To clean

1. Pull the lint screen straight up. Roll lint off the screen with your fingers. Do not rinse or wash screen to remove lint. Wet lint is hard to remove.



2. Push the lint screen firmly back into place.

### IMPORTANT:

- Do not run the dryer with the lint screen loose, damaged, blocked, or missing. Doing so can cause overheating and damage to both the dryer and fabrics.
- Some towels made of synthetic fibers and natural fibers (polyester and cotton blends) may shed more lint than other towels, causing your dryer's lint screen to fill up faster. Be sure to remove lint from the lint screen before and after drying new towels.
- If lint falls off the screen into the dryer during removal, check the exhaust hood and remove the lint. (See "Venting Requirements.")

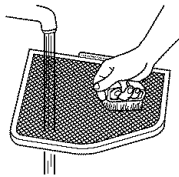
### As needed cleaning

Laundry detergent and fabric softener residue can build up on the lint screen. This buildup can cause longer drying times for your clothes, or cause the dryer to stop before your load is completely dry. The screen is probably clogged if lint falls off the screen.

Clean the lint screen with a nylon brush every 6 months or more frequently if it becomes clogged due to a residue buildup.

### To wash

1. Roll lint off screen with your fingers.
2. Wet both sides of lint screen with hot water.
3. Wet a nylon brush with hot water and liquid detergent. Scrub lint screen with the brush to remove residue buildup.



4. Rinse screen with hot water.
5. Thoroughly dry lint screen with a clean towel. Replace screen in dryer.

---

## Cleaning the Dryer Interior

### To clean the dryer drum

1. Make a paste with powdered laundry detergent and very warm water.
2. Apply paste to a soft cloth.  
**OR**  
Apply a liquid, nonflammable household cleaner to the stained area and rub with a soft cloth until all excess dye is removed.
3. Wipe drum thoroughly with damp cloth.
4. Tumble a load of clean cloths or towels to dry the drum.

**NOTE:** Garments which contain unstable dyes, such as denim blue jeans or brightly colored cotton items, may discolor the interior. These stains are not harmful to your dryer and will not stain future loads of clothes. Dry unstable dye items inside out to prevent dye transfer.

---

## Removing Accumulated Lint

### From Inside the Dryer Cabinet:

Lint should be removed every 2 years or more often, depending on dryer usage. Cleaning should be done by a qualified person.

### From the Exhaust Vent:

Lint should be removed every 2 years, or more often, depending on dryer usage.

---

## Vacation and Moving Care

### Vacation care

Operate your dryer only when you are at home. If you will be on vacation or not using your dryer for an extended period of time, you should:

1. Unplug dryer or disconnect power.
2. Close shutoff valve in gas supply line.
3. Clean lint screen. See "Cleaning the Lint Screen."

### Moving care

1. Unplug dryer or disconnect power.
2. Close shutoff valve in gas supply line.
3. Disconnect gas supply line pipe and remove fittings attached to dryer pipe.
4. Cap the open fuel supply line.
5. Make sure leveling legs are secure in dryer base.
6. Use masking tape to secure dryer door.

---

## Changing the Drum Light

The dryer light automatically turns on inside the dryer drum when you open the door.

### To change the drum light

1. Unplug dryer or disconnect power.
2. Open the dryer door. Locate the light bulb cover on the back wall of the dryer. Remove the screw located in the lower right corner of the cover. Remove the cover.
3. Turn bulb counterclockwise. Replace the bulb only with a 10-watt appliance bulb. Replace the cover and secure with the screw.
4. Plug in dryer or reconnect power.

---

# TROUBLESHOOTING

---

First try the solutions suggested here and possibly avoid the cost of a service call.

---

## Dryer displaying code message

---

- **“PF” (power failure), check the following:**  
Is the dryer connected to the power supply?  
  
Was the dryer connected to a power supply during installation or a power failure?  
Press STOP/CANCEL to clear display.  
  
Was the drying cycle interrupted by a power failure?  
Press START to restart the dryer.
  - **“E” Variable (E1, E2, E3) service codes:**  
Call for service.
- 

## Clothes are not drying satisfactorily

---

- **Check the following:**  
Is the lint screen clogged with lint?  
  
Is the exhaust vent or outside exhaust hood clogged with lint, restricting air movement? Run the dryer for 5-10 minutes. Hold your hand under the outside exhaust hood to check air movement. If you do not feel air movement, clean exhaust system of lint or replace exhaust vent with heavy metal or flexible metal vent. See “Installation Instructions.”  
  
Is the exhaust vent crushed or kinked? Replace with a heavy metal or flexible metal vent. See “Installation Instructions.”  
  
Has a fuse blown, or has a circuit breaker tripped?  
  
Has an Air Dry cycle been selected? Select the right cycle for the types of garments being dried. See “Cycles.”  
  
Is the automatic cycle ending early? The load may not be contacting the electronic sensor strips, level the dryer.  
  
Is the valve open on the gas supply line?  
  
Are fabric softener sheets blocking the grille? Use only one fabric softener sheet and only use it once.
  - **Is the dryer located in a room with temperature below 45°F (7°C)?**  
Proper operation of dryer cycles requires temperatures above 45°F (7°C).
  - **Was a cold rinse water used? Was the load very wet?**  
Expect longer drying times with items rinsed in cold water and with items that hold moisture (cottons).
  - **Is the load too large and heavy to dry quickly?**  
Separate the load to tumble freely.
- 

## Dryer will not run

---

- **Check the following:**  
Is the power cord plugged in?  
  
Has a fuse blown, or has a circuit breaker tripped?  
  
Was a regular fuse used? Use a time-delay fuse.  
  
Is the dryer door firmly closed?  
  
Was the START button firmly pressed?  
  
Is a cycle selected?
- 

## Unusual sounds

---

- **Has the dryer had a period of non-use?**  
If the dryer hasn't been used for a while, there may be a thumping sound during the first few minutes of operation.  
  
The gas valve clicking is a normal operating sound.
- 

## Lint on load

---

- **Is the lint screen clogged?**  
Clean lint screen. Check for air movement.
  - **Is load properly sorted?**  
Sort lint givers (towels, chenille) from lint takers (corduroy, synthetics). Also sort by color.
  - **Is the load too big or too heavy?**  
Dry smaller loads so lint can be carried to the lint screen.
  - **Was the load overdried?**  
Use correct dryer settings for load type. See “Changing Cycles, Options and Modifiers.” Overdrying can cause lint-attracting static electricity.
  - **Was paper or tissue left in pockets?**
  - **Is pilling being mistaken for lint?**  
Pilling (surface fuzz) is caused by normal wear and laundering.
- 

## Stains on load or color change

---

- **Was dryer fabric softener properly used?**  
Add dryer fabric softener sheets at the beginning of the cycle when the load is cold. Do not add fabric softener sheets to a warm load.
  - **Were items soiled when placed in the dryer?**  
Items should be clean before being dried.
  - **Were items properly sorted?**  
Sort light colors from dark colors. Sort colorfast items from noncolorfast items.
-

---

### Items shrinking

---

- **Was the dryer overloaded?**  
Dry smaller loads that can tumble freely.
- **Did the load overdry?**  
Check the manufacturer's care label. Match dryer setting to load type. See "Cycles."

---

### Loads are wrinkled

---

- **Was load removed from dryer at the end of the cycle?**
- **Was dryer overloaded?**  
Dry smaller loads that can tumble freely.
- **Did load overdry?**  
Check the manufacturer's care label. Match dryer setting to load type. See "Cycles."

---

### Odors

---

- **Have you recently been painting, staining or varnishing in the area where your dryer is located?**  
If so, ventilate the area. When the odors or fumes are gone from the area, rewash and dry the clothing.

---

### Garment damage

---

- **Check the following:**
  - Were zippers, snaps, and hooks left open?
  - Were strings and sashes tied to prevent tangling?
  - Were care label instructions followed?
  - Were items damaged before drying?

# ÍNDICE

CONTRATOS DE PROTECCIÓN.....	20
GARANTÍA.....	21
SEGURIDAD DE LA SECADORA .....	22
INSTRUCCIONES DE INSTALACIÓN .....	23
Herramientas y piezas.....	23
Requisitos de ubicación.....	24
Requisitos eléctricos .....	25
Requisitos del suministro de gas .....	25
Requisitos de ventilación .....	27
Planificación del sistema de ventilación .....	27
Instalación del sistema de ventilación .....	29
Instalación de las patas niveladoras .....	29
Nivelación de la secadora .....	30
Conexión del suministro de gas.....	30
Conexión del ducto de escape .....	30
Complete la instalación .....	30
USO DE LA SECADORA .....	31
Puesta en marcha de su secadora .....	31
Cómo detener su secadora.....	32
Cómo hacer una pausa o reanudar la marcha .....	32
Cómo cargar.....	32
Sugerencias de ciclos y de secado .....	32
Estado de la secadora (Dryer Status) .....	33
Ciclos.....	33
Opciones .....	34
Modificadores.....	35
Cambio de ciclos, opciones y modificadores.....	35
Estante térmico de la secadora TUMBLE FREE™.....	36
CUIDADO DE LA SECADORA.....	36
Limpieza del lugar donde está la secadora .....	36
Limpieza del filtro de pelusa.....	36
Limpieza del interior de la secadora .....	37
Eliminación de pelusa acumulada .....	37
Cuidado para las vacaciones y la mudanza .....	37
Cambio de la luz del tambor .....	37
SOLUCIÓN DE PROBLEMAS.....	38
NÚMEROS DE SERVICIO .....	CONTRAPORTADA

# CONTRATOS DE PROTECCIÓN

## Contratos Maestros de Protección

¡Felicitaciones por su inteligente adquisición! Su nuevo producto Kenmore® ha sido diseñado y fabricado para brindarle años de funcionamiento confiable. Pero al igual que todos los productos, puede necesitar mantenimiento preventivo o reparación de vez en cuando. Es allí donde el Contrato Maestro de Protección puede ahorrarle dinero e inconvenientes.

*Adquiera un Contrato Maestro de Protección hoy y protéjase contra molestias y gastos inesperados.*

El Contrato Maestro de Protección también ayuda a prolongar la vida de su nuevo producto. He aquí lo que se incluye en el Contrato:

- ✓ **Servicio experto** por nuestros 12.000 especialistas en reparación competentes
- ✓ **Servicio ilimitado y gratuito** para repuestos y mano de obra en todas las reparaciones protegidas por el contrato
- ✓ **Garantía “sin disgustos”** - reemplazo de su producto protegido si ocurren cuatro o más fallas del producto en el transcurso de doce meses
- ✓ **Reemplazo del producto** si su producto protegido no puede ser reparado
- ✓ **Revisión Anual de Mantenimiento Preventivo** a solicitud suya - sin costo adicional
- ✓ **Ayuda rápida por teléfono** - asistencia por teléfono a cargo de un técnico de Sears para productos que deban ser reparados en su hogar, además de un horario de reparación conveniente
- ✓ **Protección de sobrevoltaje** contra daños eléctricos debido a fluctuaciones de electricidad
- ✓ **Reembolso de la renta** si la reparación de su producto protegido tarda más de lo prometido

Una vez adquirido el Contrato, tan sólo tiene que llamar para fijar la visita de servicio técnico. Usted puede llamar a cualquier hora, de día o de noche, o fijar una visita técnica en internet.

Sears cuenta con un equipo de más de 12.000 especialistas en reparación competentes, quienes tienen a disposición más de 4,5 millones de repuestos y accesorios de calidad. Ése es el tipo de profesionalismo con el que usted puede contar para ayudarlo a prolongar la vida de su nuevo artefacto por muchos años más. ¡Adquiera hoy su Contrato Maestro de Protección!

**Se aplican algunas limitaciones y exclusiones. Para obtener precios e información adicional, llame al 1-800-827-6655.**

## Servicio de Instalación de Sears

Para la instalación profesional de Sears de artefactos electrodomésticos, abridores de puertas de garaje, calentadores de agua y otros artículos importantes de la casa, en los EE.UU. llame al **1-800-4-MY-HOME®**.

---

# GARANTÍA

## Garantía completa de un año para las piezas mecánicas y componentes eléctricos

Durante un año a partir de la fecha de compra, si se instala y pone en funcionamiento la secadora de conformidad con las instrucciones proporcionadas en este Manual de Uso y Cuidado, Sears reparará esta secadora, gratuitamente, si tuviese defectos en el material o la mano de obra.

**NOTA:** El empleo de un ducto de escape de plástico para esta secadora puede anular esta garantía. Consulte la sección de "Instrucciones de instalación" para obtener información completa sobre los requisitos de ventilación para esta secadora.

## Garantía limitada de dos años para el tablero de control electrónico SENSOR SMART™

Durante el segundo año a partir de la fecha de compra, Sears reemplazará el tablero de control electrónico si tuviese defectos de materiales o de mano de obra. El cliente se hará cargo de los gastos de mano de obra después del primer año.

## Restricción de la garantía

Si se somete a esta secadora a un uso ajeno al doméstico privado, la cobertura de las garantías arriba citadas quedan restringidas a sólo 90 días.

## Servicio de reparación de la garantía

El servicio de reparación de la garantía está a su disposición al contactarse con el Centro de Servicio Sears más cercano. Esta garantía corresponde sólo mientras se use el producto en los Estados Unidos.

Esta garantía le otorga derechos legales específicos y es posible que usted tenga también otros derechos que pueden variar de un estado a otro.

Para obtener información respecto a la garantía de Sears o para ponerse en contacto con un Centro de Servicio de Sears, sírvase tomar como referencia los números de servicio técnico ubicados en la contraportada del manual.

**Sears, Roebuck and Co.  
D/817WA, Hoffman Estates, IL 60179**

## Registro del producto

Use el espacio a continuación para anotar el número completo del modelo y de la serie, así como la fecha de compra. Usted podrá encontrar esta información en la etiqueta con el número de modelo y de serie, en la cavidad interna superior de la puerta de la secadora.

Siempre que se ponga en contacto con Sears respecto a su electrodoméstico, tenga esta información a mano para facilitar la obtención de ayuda o servicio técnico.

Número de modelo **110.** \_\_\_\_\_

Número de serie \_\_\_\_\_

Fecha de compra \_\_\_\_\_

**Guarde estas instrucciones y su comprobante de ventas para referencia futura.**

# SEGURIDAD DE LA SECADORA

## Su seguridad y la seguridad de los demás es muy importante.

Hemos incluido muchos mensajes importantes de seguridad en este manual y en su electrodoméstico. Lea y obedezca siempre todos los mensajes de seguridad.



Este es el símbolo de advertencia de seguridad.

Este símbolo le llama la atención sobre peligros potenciales que pueden ocasionar la muerte o una lesión a usted y a los demás.

Todos los mensajes de seguridad irán a continuación del símbolo de advertencia de seguridad y de la palabra "PELIGRO" o "ADVERTENCIA". Estas palabras significan:

**⚠ PELIGRO**

Si no sigue las instrucciones de inmediato, usted puede morir o sufrir una lesión grave.

**⚠ ADVERTENCIA**

Si no sigue las instrucciones, usted puede morir o sufrir una lesión grave.

Todos los mensajes de seguridad le dirán el peligro potencial, le dirán cómo reducir las posibilidades de sufrir una lesión y lo que puede suceder si no se siguen las instrucciones.

**ADVERTENCIA:** Para su seguridad, la información en este manual debe ser observada para minimizar el riesgo de incendio o explosión, o para prevenir daños a propiedades, heridas o la muerte.

- No almacene o use gasolina u otros líquidos y vapores inflamables cerca de éste u otro aparato electrodoméstico.
- **PASOS QUE USTED DEBE SEGUIR SI HUELE A GAS:**
  - No trate de encender ningún aparato electrodoméstico.
  - No toque ningún interruptor eléctrico; no use ningún teléfono en su edificio.
  - Desaloje a todos los ocupantes del cuarto, edificio o área.
  - Llame inmediatamente a su proveedor de gas desde el teléfono de un vecino. Siga las instrucciones de su proveedor de gas.
  - Si usted no puede comunicarse con su proveedor de gas, llame al departamento de bomberos.
- La instalación y el servicio deben ser efectuados por un instalador calificado, una agencia de servicio o por el proveedor de gas.

En el estado de Massachusetts se aplican las siguientes instrucciones de instalación:

- Las instalaciones y reparaciones se deben efectuar por un contratista, plomero o gasista calificado o licenciado por el estado de Massachusetts.
- Si se usa una válvula de bola, debe ser un tipo de manigueta T.
- Si se usa un conector de gas flexible no debe exceder de 3 pies.

## INSTRUCCIONES IMPORTANTES DE SEGURIDAD

**ADVERTENCIA:** A fin de reducir el riesgo de incendio, descarga eléctrica o de daño a las personas que usen la secadora, deben seguirse las precauciones básicas, incluidas las siguientes:

- Lea todas las instrucciones antes de usar la secadora.
- No coloque los objetos expuestos a aceite para cocinar en su secadora. Los objetos expuestos a aceites para cocinar pueden contribuir a una reacción química que podría causar que una carga se inflame.
- No seque artículos que ya se hayan limpiado, lavado, remojado o manchado con gasolina, disolventes de limpieza en seco, u otras sustancias inflamables o explosivas ya que despiden vapores que pueden encenderse o causar una explosión.
- No permita que jueguen los niños sobre o dentro de la secadora. Es necesaria la cuidadosa vigilancia de los niños toda vez que se use la secadora cerca de ellos.
- Quite la puerta de la secadora al compartimiento de secado antes de ponerla fuera de funcionamiento o de descartarla.
- No introduzca las manos en la secadora cuando el tambor está en movimiento.
- No instale o almacene esta secadora donde estará expuesta a agua o a la intemperie.
- No trate de forzar los controles.
- No repare o reemplace ninguna pieza de la secadora ni trate de repararla a menos que esto se recomiende específicamente en el Manual del propietario o en instrucciones de reparación publicadas para el usuario que usted comprenda y sólo si cuenta con la experiencia necesaria para llevar a cabo dicha reparación.
- No utilice suavizadores de tejidos o productos para eliminar el estático de prendas a menos que lo recomiende el fabricante del suavizador de tejidos o las instrucciones del producto en uso.
- No utilice calor para secar prendas que contengan espuma de caucho o materiales de caucho con textura similar.
- Limpie el filtro de pelusa antes o después de cada carga de ropa.
- Mantenga el área alrededor de la apertura de ventilación y las áreas adyacentes a esta apertura sin pelusa, polvo o tierra.
- La parte interior de la secadora y el ducto de escape se deben limpiar periódicamente. Esta limpieza la debe llevar a cabo un reparador calificado.
- Vea la instrucciones de instalación para los requisitos de conexión a tierra.

**GUARDE ESTAS INSTRUCCIONES**

**IMPORTANTE:** La instalación de gas debe hacerse de acuerdo con los códigos locales, o si no los hay, con el Código Nacional de Gas Combustible (National Fuel Gas Code), ANSI Z223.1/NFPA 54.

La secadora debe estar conectada a tierra de acuerdo con los códigos locales, o si no los hay, con el Código Nacional de Electricidad (National Electrical Code), ANSI/NFPA 70.

## INSTRUCCIONES DE INSTALACIÓN

### Herramientas y piezas

Verifique si tiene todo lo necesario para una instalación correcta. La instalación adecuada es responsabilidad suya.

- Llave para tubos de 8" ó 10"
- Llave de tuercas ajustable de 8" ó 10" (para conexiones de gas)
- Destornillador de hoja plana
- Llave de tuercas ajustable que se abra a 1" (2,5 cm) o una llave de cubo de cabeza hexagonal (para regular las patas de la secadora)
- Nivel
- Llave para tuercas de ¼" o llave de cubo
- Cuchillo
- Abrazaderas para ducto
- Pegamento para tuberías resistente a gas L.P.
- Pistola y masilla para calafateo (para instalar el nuevo ducto de escape)
- Alicates

### Piezas suministradas:

Retire el paquete de piezas del tambor de la secadora. Verifique que estén todas las piezas.



4 patas niveladoras

### Piezas para adquirir:

Verifique los códigos locales y con la compañía abastecedora de gas, verifique el suministro de gas existente, el suministro eléctrico y la ventilación y lea "Requisitos eléctricos", "Requisitos de suministro de gas" y "Requisitos de ventilación" antes de comprar las piezas.

Las instalaciones en casas rodantes requieren piezas especiales (enlistadas a continuación) disponibles para la compra en su tienda local de Sears o en un Centro de servicio Sears. Para más información, llame por favor al **1-800-4-MY-HOME® (1-800-469-4663)**.

- Juego de instalación para casas rodantes. Pida la pieza número 346764.
- Herramientas para el sistema de ventilación de metal.

## Requisitos de ubicación

### ⚠ ADVERTENCIA



#### Peligro de Explosión

Mantenga los materiales y vapores inflamables, como la gasolina, lejos de la secadora.

Coloque la secadora a un mínimo de 46 cm sobre el piso para la instalación en un garaje.

No seguir estas instrucciones puede ocasionar la muerte, explosión o incendio.

#### Usted necesitará

- Una localización que permita una instalación adecuada del ducto de escape. Una secadora a gas debe tener una salida de ventilación hacia el exterior. Consulte "Requisitos de ventilación".
- Un contacto con conexión a tierra ubicado a un máximo de 2 pies (61 cm) de cualquiera de los lados de la secadora. Vea "Requisitos eléctricos".
- Un piso resistente para soportar la secadora con un peso total (secadora y carga) de 200 lbs (90,7 kg).
- Un piso nivelado con un declive máximo de 1" (2,5 cm) debajo de la secadora completa. (Si el declive es mayor que 1" [2,5 cm], instale el juego de extensión de patas de la secadora, Pieza No. 279810.) La ropa quizás no rote adecuadamente y los ciclos del sensor automático posiblemente no funcionen debidamente si la secadora no está nivelada.

No ponga a funcionar su secadora en un lugar cuyas temperaturas sean inferiores a 45°F (7°C). A temperaturas inferiores, es posible que la secadora no se apague al final de un ciclo automático. Los tiempos de secado pueden prolongarse.

No debe instalarse ni guardarse la secadora en un área en donde pueda estar expuesta al agua y/o a la intemperie.

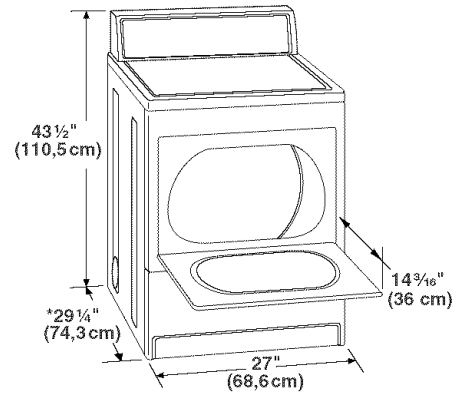
Verifique los requisitos de los códigos. Algunos códigos limitan, o no permiten, la instalación de la secadora en garajes, clósets, casas rodantes o en dormitorios. Póngase en contacto con el inspector de construcciones de su localidad.

**NOTA:** No se puede instalar otro electrodoméstico que use combustible en el mismo clóset en que se encuentra la secadora.

## Espacios para la Instalación

La ubicación debe ser lo suficientemente grande para poder abrir completamente la puerta de la secadora.

## Dimensiones de la secadora

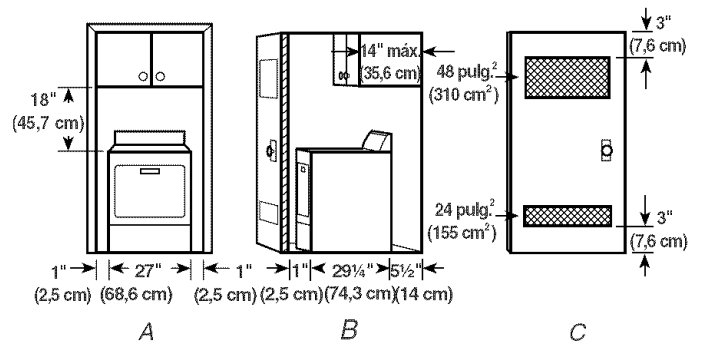


\* La mayoría de las instalaciones requieren un espacio mínimo de 5 1/2" (14 cm) detrás de la secadora para acomodar el ducto de escape con codo. Vea "Requisitos de ventilación".

## Espacio mínimo para la instalación en un lugar empotrado o en un clóset

Las siguientes dimensiones ilustradas son para el espacio mínimo permitido.

- Debe considerarse el espacio adicional para facilitar la instalación y el servicio técnico.
- Se podrían necesitar espacios libres adicionales para las molduras de la pared, de la puerta y del piso.
- Se recomienda un espacio adicional de 1" (2,5 cm) en todos los lados de la secadora para reducir la transferencia de ruido.
- Para la instalación en clóset, con una puerta, se requieren aberturas de ventilación mínimas en la parte superior e inferior de la puerta. Se aceptan puertas tipo persianas con aberturas de ventilación equivalentes.
- También se debe considerar espacio adicional para otro electrodoméstico que le acompañe.



A. Lugar empotrado

B. Vista lateral - clóset o lugar confinado

C. Puerta del clóset con orificios de ventilación



## Requisitos de instalación adicionales para las casas rodantes

Esta secadora es apropiada para instalaciones en casas rodantes. La instalación debe ajustarse al Estándar de seguridad y construcción de casas fabricadas, Título 24 CFR, Parte 3280 (anteriormente conocido como Estándar federal para la seguridad y construcción de casas rodantes, Título 24, HUD Parte 280).

### Las instalaciones en casas rodantes necesitan:

- Herramientas del sistema de escape de metal, que se encuentran disponibles para ser compradas en su tienda Sears o en el distribuidor de servicio técnico Sears de su localidad.
- Juego para la instalación en casas rodantes, Pieza número 346764. Vea la sección "Herramientas y piezas" para la información sobre cómo ordenar.
- Se deben tomar medidas especiales en el caso de casas rodantes para introducir el aire del exterior en la secadora. La abertura (como la de una ventana adyacente) deberá ser por lo menos el doble de tamaño que la abertura de ventilación de la secadora.

## Requisitos eléctricos

### ⚠ ADVERTENCIA



#### Peligro de Choque Eléctrico

Conecte a un contacto de pared de conexión a tierra de 3 terminales.

No quite el terminal de conexión a tierra.

No use un adaptador.

No use un cable eléctrico de extensión.

No seguir estas instrucciones puede ocasionar la muerte, incendio o choque eléctrico.

- Se necesita un suministro eléctrico de 120 voltios, 60 hertzios, CA solamente, de 15 ó 20 amperios y protegido con fusible. (Se recomienda el empleo de un fusible retardador o cortacircuitos.) Asimismo se recomienda el uso de un circuito independiente que preste servicio únicamente a esta secadora.

## INSTRUCCIONES PARA LA CONEXIÓN A TIERRA

- Para la conexión de una secadora mediante cable eléctrico conectado a tierra:

Esta secadora debe estar conectada a tierra. En el caso de funcionamiento defectuoso o avería, la conexión a tierra reducirá el riesgo de choque eléctrico al proporcionar una vía de menor resistencia para la corriente eléctrica. Esta secadora está equipada con un cable que cuenta con un conductor para la conexión a tierra del equipo y un enchufe de conexión a tierra. El enchufe debe conectarse a un contacto apropiado, que esté debidamente instalado y conectado a tierra de acuerdo con todos los códigos y ordenanzas locales.

**ADVERTENCIA:** La conexión indebida del conductor para la conexión a tierra del equipo puede ocasionar un riesgo de choque eléctrico. Verifique con un electricista, representante o personal de servicio técnico calificado para asegurarse de que la conexión a tierra de la secadora sea apropiada. No modifique el enchufe proporcionado con la secadora. Si no encaja en el contacto, contrate un electricista calificado para que instale un contacto adecuado.

**GUARDE ESTAS INSTRUCCIONES**

## Requisitos del suministro de gas

### ⚠ ADVERTENCIA



#### Peligro de Explosión

Usa una línea de suministro de gas nueva con aprobación AGA o CSA.

Instale una válvula de cierre.

Apriete firmemente todas las conexiones de gas.

Si se conecta a un suministro de gas L.P., la presión no debe exceder una columna de agua de 33 cm (13 pulg.) y debe ser verificada por una persona calificada.

Ejemplos de una persona calificada incluyen:

personal de servicio del sistema de calefacción con licencia,  
personal autorizado de la compañía de gas, y  
personal autorizado para dar servicio.

No seguir estas instrucciones puede ocasionar la muerte, explosión o incendio.

### Tipo de gas

#### Gas natural:

Esta secadora está equipada para uso con gas natural. Su diseño está certificado por la CSA Internacional para gases L.P. (de propano o butano) con la conversión apropiada.

- Su secadora debe tener el quemador adecuado para el tipo de gas que tiene en su casa. La información respecto al quemador está ubicada en la placa de clasificación que está en la cavidad de la puerta de su secadora. Si esta información no está de acuerdo con el tipo de gas disponible, póngase en contacto con su tienda Sears o con el Centro de Servicio Sears de su localidad.

### Conversión de gas L.P.:

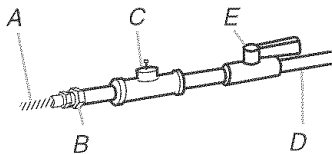
#### La conversión deberá llevarla a cabo un técnico calificado.

No se deberá hacer intento alguno para convertir el uso del gas especificado en la placa de clasificación del modelo/de la serie de este artefacto por el uso de un gas distinto sin consultar con el abastecedor de gas.

#### La línea de suministro de gas:

- Se recomienda un tubo IPS de 1/2".
- Si los códigos locales y el proveedor de gas lo permiten, es aceptable una tubería aprobada de 3/8" para longitudes menores a los 20 pies (6,1 m).
- Debe incluir una derivación tapada NPT de por lo menos 1/8" accesible para la conexión del manómetro de prueba, inmediatamente arriba de la conexión de suministro de gas a la secadora (vea la ilustración).
- Debe incluir una válvula de cierre:

Debe instalarse una válvula de cierre individual manual a una distancia de un máximo de seis (6) pies (1,8 m) de la secadora de acuerdo con el Código Nacional de Gas combustible (National Fuel Gas Code), ANSI Z223.1. La válvula deberá ubicarse en un lugar donde se pueda alcanzar con facilidad para cerrarla y abrirla.



- A. Conector de gas flexible de 3/8"
- B. Accesorio adaptador abocinado de 3/8"
- C. Derivación tapada NPT de 1/8"
- D. Línea de suministro de gas NPT de 1/2"
- E. Válvula de cierre del gas

#### Requisitos para la conexión del suministro de gas

Existen muchos métodos mediante los cuales puede conectar su secadora a gas al suministro de gas. He aquí algunas directivas para los dos métodos diferentes de conexión.

#### Opción 1 (Método recomendado):

Conector de gas flexible de acero inoxidable:

Si los códigos locales lo permiten, use un conector de gas flexible nuevo de acero inoxidable (diseño certificado por la Asociación americana de gas o la CSA Internacional) para conectar su secadora a la línea rígida de suministro de gas. Use un codo y un accesorio adaptador abocinado NPT de 3/8" por 3/8" entre el tubo de acero inoxidable y el tubo de gas de la secadora, para evitar que se doblen.

#### Opción 2 (Método alternativo):

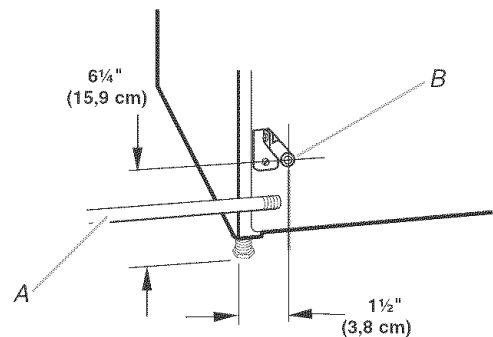
Tubería aprobada de aluminio o de cobre:

- Las longitudes inferiores a los 20 pies (6,1 m) pueden usar una tubería aprobada de 3/8" (si los códigos y el abastecedor de gas lo permiten).
- Si usted está usando gas natural, no use tubería de cobre.
- Un adaptador abocinado NPT de 3/8" por 3/8" entre el tubo de la secadora y la tubería aprobada de 3/8".
- Las longitudes superiores a los 20 pies (6,1 m) deberán usar tuberías más largas y un accesorio adaptador de tamaño distinto.
- Si su secadora ha sido convertida para usar gas L.P., se puede usar tubería de cobre compatible de L.P. de 3/8". Si la longitud total de la línea de suministro es mayor que 20 pies (6,1 m), use un tubo más largo.

**NOTA:** Se deben usar pegamentos para uniones de tuberías que resistan la acción del gas L.P. No use cinta de TEFLON<sup>†</sup>.

#### El tubo de gas de la secadora

- El tubo de gas que sale por la parte posterior de su secadora tiene una conexión de filete macho de 3/8".



- A. Línea de suministro de gas NPT de 1/2"
- B. Tubo NPT de 3/8" de la secadora

#### Requisitos de entrada del quemador:

##### Elevaciones por hasta los 10.000 pies (3.048 metros):

- El diseño de esta secadora está certificado por CSA Internacional para uso en altitudes que alcanzan los 10.000 pies (3.048 m) sobre el nivel del mar en la categoría de B.T.U. indicada en la placa del número de modelo/serie. No se requieren ajustes de entrada del quemador cuando se usa la secadora a esta altitud.

##### Elevaciones encima de los 10.000 pies (3.048 metros):

- Si se instala la secadora a un nivel superior a los 10.000 pies (3.048 m) de altitud, se requiere una reducción de categoría de B.T.U. del 4% del quemador, que se muestra en la placa del número de modelo/serie, por cada incremento de 1.000 pies (305 m) de altitud.

#### Prueba de presión del suministro de gas

- Durante pruebas de presión a presiones mayores de 1/2 lb/pulg<sup>2</sup>, la secadora debe ser desconectada del sistema de tubería del suministro de gas.

<sup>†</sup>TEFLON es una marca registrada de E.I. Du Pont De Nemours and Company.

## Requisitos de ventilación

### ⚠ ADVERTENCIA



#### Peligro de Incendio

Use un ducto de escape de metal pesado.

No use un ducto de escape de plástico.

No use un ducto de escape de aluminio.

No seguir estas instrucciones puede ocasionar la muerte o incendio.

**ADVERTENCIA:** Para reducir el riesgo de incendio, esta secadora DEBE VENTILARSE HACIA EL EXTERIOR.

Se debe usar un ducto de escape de metal pesado de 4" (10,2 cm) y abrazaderas. Los productos de ventilación DURASAFE™ son recomendables y se encuentran disponibles en la tienda Sears o el centro de servicio técnico Sears de su localidad.

Los productos de ventilación DURASAFE™ pueden adquirirse de su distribuidor. Para más información, por favor llame al **1-800-4-MY-HOME® (1-800-469-4663)** o visite nuestro sitio en la internet en: **www.sears.com**.

- La salida de la secadora no debe conectarse en ningún ducto de escape de gas, chimenea, pared, techo o el espacio oculto de un edificio.
- No use una capota de ventilación con pestillo magnético.
- No instale el ducto de escape de metal flexible en paredes, techos o pisos encerrados.
- Utilice abrazaderas para sellar todas las juntas. No debe conectarse ni asegurarse el ducto de escape con tornillos ni ningún otro dispositivo que se extienda hacia el interior de dicho ducto. No utilice cinta adhesiva para conductos.

**IMPORTANTE:** Observe todas las normas y ordenanzas vigentes.

La ventilación inadecuada puede ocasionar la acumulación de humedad y pelusa en la casa, lo cual puede dar como resultado:

- Daños de humedad en la carpintería, muebles, pintura, empapelado, alfombras, etc.
- Problemas en la limpieza de la casa y de salud.

Use un ducto de escape de metal pesado. No use un ducto de escape de plástico o de aluminio.

Se recomienda el ducto de escape de metal rígido para evitar que se aplaste o se tuerza.

El ducto de escape de metal flexible debe extenderse y sostenerse por completo cuando la secadora esté en su ubicación final. Quite el exceso del ducto de metal flexible para evitar que se doble y se tuerza, lo cual podría dar lugar a una reducción del flujo de aire y bajo rendimiento.

Una capota de ventilación debe tapar el ducto de escape para evitar el ingreso de roedores e insectos a la casa.

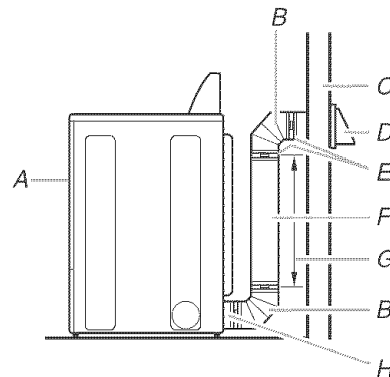
La capota de ventilación debe estar por lo menos a 12" (30,5 cm) de distancia del piso o de cualquier objeto que pudiese estar en el trayecto del ducto de escape (como flores, rocas o arbustos, etc.).

Si se usa un sistema de ventilación existente, limpie la pelusa que está en toda la longitud del sistema y asegúrese de que la capota de ventilación no esté obstruida con pelusa. Reemplace cualquier ducto de escape de plástico o de aluminio por uno de metal rígido o de metal flexible.

## Planificación del sistema de ventilación

### Instalaciones típicas de escape

Las instalaciones típicas tienen la ventilación en la parte posterior de la secadora. Otras instalaciones son posibles.



A. Secadora  
B. Codo  
C. Pared  
D. Capota de ventilación  
E. Abrazaderas

F. Ducto de escape de metal rígido o ducto de escape de metal flexible  
G. Longitud necesaria del ducto de escape para conectar los codos  
H. Salida de ventilación

## Instalaciones opcionales de escape

El sistema de ventilación de esta secadora puede modificarse hacia el lado derecho, el lado izquierdo o por la parte inferior. Póngase en contacto con su distribuidor local para hacer convertir su secadora.

# ⚠ ADVERTENCIA



## Peligro de Incendio

Cubra los orificios de escape con uno de los juegos siguientes:

279818 (blanco)

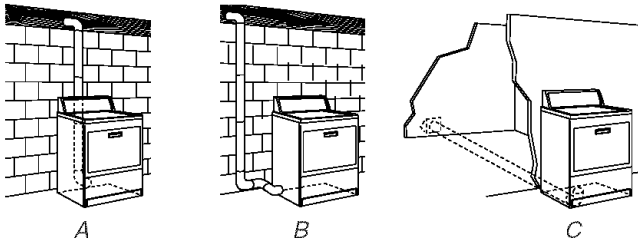
279819 (marfil/almendra)

279915 (grafito)

279925 (bisque)

Comuníquese con su distribuidor local.

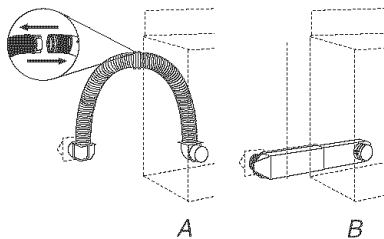
No seguir estas instrucciones puede ocasionar la muerte, incendio, choque eléctrico, o lesiones graves.



- A. Instalación estándar con ventilación en la parte posterior y desviación  
 B. Instalación de ventilación lateral a la izquierda o a la derecha  
 C. Instalación con ventilación inferior

## Instalaciones alternas para espacios limitados

Los sistemas de ventilación vienen en una amplia gama. Seleccione el tipo más apropiado para su instalación. A continuación se ilustran dos tipos de instalación para espacios limitados. Consulte las instrucciones del fabricante.



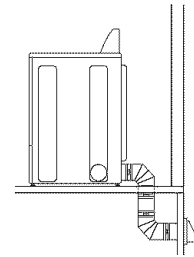
- A. Instalación en la parte superior (también está disponible con un codo de desviación)  
 B. Instalación de periscopio

**NOTA:** Se pueden adquirir los siguientes juegos para instalaciones alternas en espacios limitados. Para más información, por favor llame al **1-800-4-MY-HOME® (1-800-469-4663)**.

- Instalación en la parte superior:  
Pieza número 26-49900
- Instalación de periscopio (Para usar si hay desacoplo entre el ducto de escape de la pared y el ducto de escape de la secadora):  
Pieza número 26-49901 – Desacoplo de menos de 5" (12,7 cm)  
Pieza número 26-49908 – Desacoplo de 5" (12,7 cm) a 18" (45,72 cm)  
Pieza número 26-49904 – Desacoplo de 18" (45,72 cm) a 29" (73,66 cm)  
Pieza número 26-49905 – Desacoplo de 29" (73,66 cm) a 50" (127 cm)

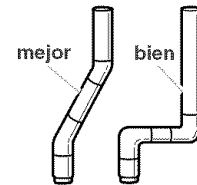
## Previsiones especiales para las instalaciones en casas rodantes

El ducto de escape deberá sujetarse firmemente en un lugar no inflamable de la estructura de la casa rodante y no debe terminar debajo de la casa rodante. El ducto de escape debe terminar en el exterior.



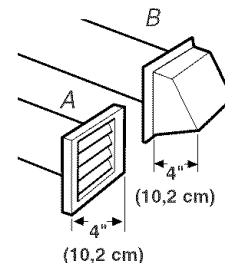
## Determinación de la longitud del ducto de escape

1. Seleccione la vía que proporcione el trayecto más recto y directo al exterior. Planifique la instalación a fin de usar el menor número posible de codos y vueltas. Cuando use los codos o haga vueltas, deje todo el espacio que sea posible. Doble el ducto de escape gradualmente para evitar que se retuerza. Evite vueltas de 90° en la medida de lo posible.



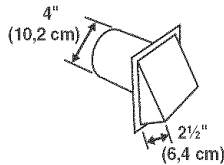
2. Determine la longitud del ducto de escape. La longitud máxima del sistema de ventilación depende de:
  - El tipo de ducto de escape (metal rígido o metal flexible).
  - El número de codos utilizados.
  - Tipo de capota.

Los estilos recomendados de capotas de ventilación se ilustran aquí.



- A. Estilo de capota de ventilación tipo persiana  
 B. Estilo de capota de ventilación tipo caja

El estilo de capota de ventilación angular (que se ilustra a continuación) es aceptable.



Vea el cuadro de la longitud del ducto de escape que vaya de acuerdo con su tipo de capota de ventilación para fijarse en las longitudes máximas del ducto de escape que usted puede usar.

Los sistemas de ventilación más largos que los especificados:

- Acortarán la vida de la secadora.
- Reducirán el rendimiento, dando lugar a tiempos de secado más largos y un aumento en el consumo de energía.

3. Determine el número de codos que va a necesitar.

**NOTA:** No use tendidos de ducto de escape más largos que los especificados en el cuadro de longitud del ducto de escape.

El siguiente cuadro le ayudará a determinar la longitud máxima de su ducto, de acuerdo con el número de vueltas de 90° o codos que necesitará y con el tipo de ducto (metal rígido o metal flexible) y capota que va a usar.

**Cuadro de longitud del ducto de escape**

No. de vueltas de 90° o codos	Tipo de ducto	Capotas de ventilación de caja o tipo persianas	Capotas angulares
0	<b>Metal rígido</b>	64 pies (20 m)	58 pies (17,7 m)
	<b>Metal flexible</b>	36 pies (11 m)	28 pies (8,5 m)
1	<b>Metal rígido</b>	54 pies (16,5 m)	48 pies (14,6 m)
	<b>Metal flexible</b>	31 pies (9,4 m)	23 pies (7 m)
2	<b>Metal rígido</b>	44 pies (13,4 m)	38 pies (11,6 m)
	<b>Metal flexible</b>	27 pies (8,2 m)	19 pies (5,8 m)
3	<b>Metal rígido</b>	35 pies (10,7 m)	29 pies (8,8 m)
	<b>Metal flexible</b>	25 pies (7,6 m)	17 pies (5,2 m)
4	<b>Metal rígido</b>	27 pies (8,2 m)	21 pies (6,4 m)
	<b>Metal flexible</b>	23 pies (7 m)	15 pies (4,6 m)

**NOTA:** Las instalaciones de ventilación laterales e inferiores tienen una vuelta de 90° dentro de la secadora. Para determinar la longitud máxima de ventilación, agregue una vuelta de 90° al cuadro.

### Instalación del sistema de ventilación

1. Instale la capota de ventilación. Emplee una masilla de calafateo para sellar la abertura de la pared externa alrededor de la capota de ventilación.
2. Conecte el ducto de escape a la capota de ventilación. El ducto de escape debe encajar dentro de la capota de ventilación. Asegure el ducto de escape a la capota de ventilación con una abrazadera de 4" (10,2 cm).

3. Extienda el ducto de escape a la ubicación de la secadora. Use la trayectoria más recta posible. Vea "Determinación de la longitud del ducto de escape". Evite giros de 90°. Use abrazaderas para sellar todas las juntas. No use cinta adhesiva para conductos, tornillos ni otros dispositivos de fijación que se extiendan dentro del ducto de escape, para fijar el mismo.

### Instalación de las patas niveladoras

## ! ADVERTENCIA

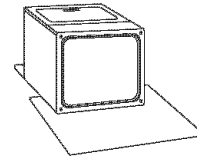
### Peligro de Peso Excesivo

Use dos o más personas para mover e instalar la secadora.

No seguir esta instrucción puede ocasionar una lesión en la espalda u otro tipo de lesiones.

1. Para proteger el piso, use un pedazo de cartón grande y plano del cartón de la secadora. Coloque el cartón debajo de todo el borde posterior de la secadora. Vea la ilustración.

Sujete con firmeza el cuerpo de la secadora (no la parte superior o el panel de la consola). Coloque la secadora cuidadosamente sobre el cartón.



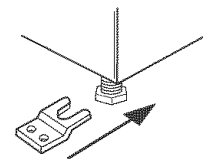
2. Examine las patas niveladoras. Localice la marca en forma de diamante.



3. Atornille con la mano las patas en los orificios de las patas. Use una llave de tuercas para terminar de atornillar las patas hasta que la marca en forma de diamante no quede visible.
4. Coloque un poste esquinale de cartón debajo de cada una de los 2 esquinales posteriores de la secadora. Ponga la secadora de pie. Deslice la secadora sobre los postes esquinales hasta que quede cerca de su ubicación final. Deje suficiente espacio para conectar el ducto de escape.
5. Una vez que la conexión esté lista y la secadora se encuentre en su ubicación final, quite los esquinales y el cartón.

### Para uso en casas rodantes

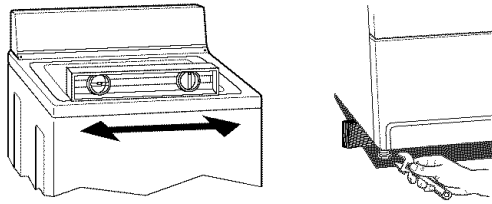
Las secadoras a gas deben ser aseguradas al piso con firmeza.



La instalación en casas rodantes requiere el Juego de Instalación para casas rodantes. Vea la sección "Herramientas y piezas" para información sobre cómo ordenar.

## Nivelación de la secadora

Revise la nivelación de la secadora. Verifique primero de lado a lado y luego del frente hacia atrás.



Si la secadora no está nivelada, apunte la secadora, usando un bloque de madera. Use una llave de tuercas para regular las patas hacia arriba o hacia abajo y verifique nuevamente si la secadora está nivelada.

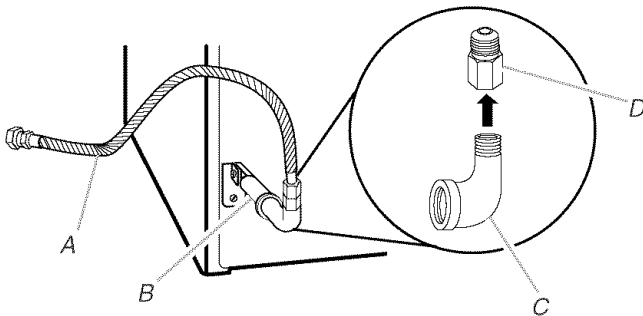
**NOTA:** Quizás sea necesario nivelar la secadora nuevamente después de trasladarla a su ubicación final.

## Conexión del suministro de gas

1. Quite la tapa roja del tubo de gas. Traslade la secadora cerca de su ubicación final.
2. Utilizando una llave de tuercas, conecte el suministro de gas a la secadora. Use sellador compuesto para todas las roscas macho no abocinadas. Si se usa tubería flexible de metal, asegúrese que no hay partes retorcidas.

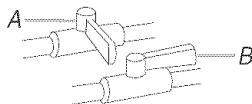
**NOTA:** Para las conexiones de gas L.P., debe usar un pegamento de unión de tubos resistente a la acción del gas L.P. No use cinta TEFLON®.

Se debe usar una combinación de accesorios para tuberías para conectar la secadora a la línea de suministro de gas existente. A continuación se ilustra una conexión recomendada. Su conexión puede ser distinta, de acuerdo con el tipo de línea de suministro, tamaño y ubicación.



- A. Conector flexible de gas de  $\frac{3}{8}$ "
- B. Tubo de la secadora de  $\frac{3}{8}$ "
- C. Codo de tubería de  $\frac{3}{8}$ " a  $\frac{3}{8}$ "
- D. Accesorio adaptador abocinado para tubo de  $\frac{3}{8}$ "

3. Abra la válvula de cierre del suministro. La válvula está abierta cuando la manija está paralela al tubo de gas.



- A. Válvula cerrada
- B. Válvula abierta

4. Pruebe todas las conexiones aplicando con un cepillo una solución aprobada para detección de fugas que no sea corrosiva. Se observarán burbujas si hay fuga. Tape cualquier fuga que encuentre.

## Conexión del ducto de escape

1. Usando una abrazadera de 4" (10,2 cm), conecte el ducto de escape a la salida de aire de la secadora. Si se conecta a un ducto de escape existente, asegúrese de que el mismo esté limpio. El ducto de escape de la secadora debe encajar sobre la salida de aire de la secadora y dentro de la capota de ventilación. Cerciórese de que el ducto de escape esté asegurado a la capota de ventilación con una abrazadera de 4" (10,2 cm).
2. Mueva la secadora a su posición final. No aplaste ni retuerza el ducto de escape. Asegúrese de que la secadora esté nivelada.
3. (En modelos a gas) Asegúrese de que no hayan torceduras en la línea de gas flexible.

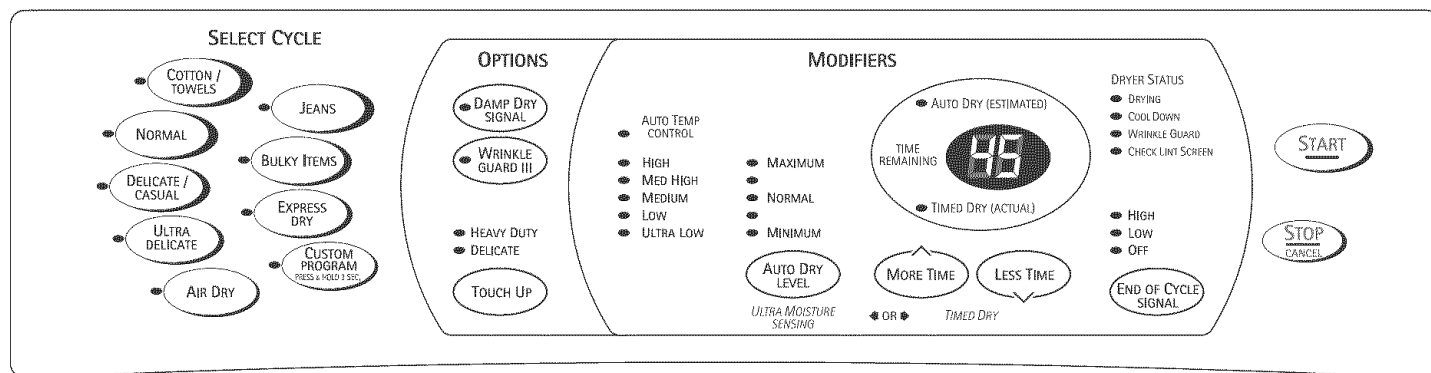
## Complete la instalación

1. Revise para cerciorarse de que todas las piezas estén instaladas. Si hay alguna pieza extra, vuelva a revisar todos los pasos para ver cuál se omitió.
2. Verifique si tiene todas las herramientas.
3. Deshágase de todos los materiales de embalaje.
4. Revise la localización final de la secadora. Asegúrese de que el ducto de escape no esté aplastado o retorcido.
5. Verifique si la secadora está nivelada. (Vea "Nivelación de la secadora").
6. Conecte a un contacto de pared de conexión a tierra de 3 terminales. Conecte el suministro de energía.
7. Quite la película protectora azul que está en la consola y cualquier cinta adhesiva que haya quedado en la secadora.
8. Lea "Uso de la secadora".
9. Limpie el interior del tambor de la secadora meticulosamente con un paño húmedo para quitar residuos de polvo.
10. Fije la secadora en un ciclo de calor completo (no ciclo de aire) por 20 minutos y póngala en marcha.

### Si la secadora no funciona, revise lo siguiente:

- Que la secadora esté conectada en un contacto de 3 terminales con conexión a tierra.
  - Que el suministro eléctrico esté conectado.
  - Que el fusible de la casa esté intacto y ajustado, o que no se haya disparado el cortacircuitos.
  - Que la puerta de la secadora esté cerrada.
11. Después de que la secadora haya estado funcionando durante 5 minutos, abra la puerta y fíjese si está caliente. Si no siente calor, apague la secadora y verifique que esté abierta la válvula de cierre de la línea de suministro de gas.
    - Si está cerrada la válvula de cierre de la línea de suministro de gas, ábrala y repita la prueba de 5 minutos como se indicó anteriormente.
    - Si está abierta la válvula de cierre de la línea de suministro de gas, contacte a un técnico calificado.

# USO DE LA SECADORA



## Puesta en marcha de su secadora

### ⚠ ADVERTENCIA



#### Peligro de Explosión

Mantenga los materiales y vapores inflamables, tales como la gasolina, alejados de la secadora.

No seque ningún artículo que haya tenido alguna vez cualquier sustancia inflamable (aún después de lavarlo).

No seguir estas instrucciones puede ocasionar la muerte, explosión o incendio.

### ⚠ ADVERTENCIA



#### Peligro de Incendio

Ninguna lavadora puede eliminar completamente el aceite.

No seque ningún artículo que haya tenido alguna vez cualquier tipo de aceite (incluyendo los aceites de cocina).

Los artículos que contengan espuma, hule o plástico deben secarse en un tendedero o usando un Ciclo de Aire.

No seguir estas instrucciones puede ocasionar la muerte o incendio.

La siguiente es una guía para poner su secadora en marcha. Las consultas periódicas a otras secciones de este manual proporcionarán información más detallada.

1. Revise el filtro de pelusa. Límpielo de ser necesario.
2. Ponga la ropa en la secadora y cierre la puerta. Vea "Cómo cargar."
3. Seleccione el ciclo que usted desee, presionando uno de los botones que están debajo de Seleccione el ciclo (SELECT CYCLE) o seleccionando Retoque (TOUCH UP) que está debajo de Opciones (OPTIONS). Vea "Ciclos" y "Opciones." Los ajustes prefijados para Secado automático (Auto Dry) o Secado programado (Timed Dry) se iluminarán. El tiempo estimado o real del ciclo (en minutos) aparecerá en la pantalla.
  - Los ajustes prefijados proporcionan el cuidado recomendado de los tejidos para el ciclo que ha seleccionado. Para obtener los ajustes prefijados de ciclos, consulte "Sugerencias de ciclos y de secado."

- Si lo desea, puede cambiar el tiempo (estimado) de secado automático, presionando Nivel de secado automático (AUTO DRY LEVEL) hasta que aparezcan en pantalla el nivel deseado de sequedad y el tiempo de secado estimado. El Nivel de secado automático le ahorra tiempo, proporcionándole los mejores resultados de secado en un tiempo más breve. Los sensores electrónicos determinan el nivel de sequedad de su ropa. Cuando su ropa está casi seca, el tiempo de secado cambia automáticamente de tiempo estimado a tiempo real que resta en el ciclo. Para obtener detalles, vea "Modificadores."

**NOTA:** Para cambiar de un ciclo de Secado automático a un ciclo de Secado programado, presione Más tiempo (MORE TIME) o Menos tiempo (LESS TIME). El tiempo que aparece en la pantalla será el tiempo real.

- Si lo desea, usted puede cambiar el tiempo de Secado programado (real), oprimiendo Más tiempo (MORE TIME) o Menos tiempo (LESS TIME) hasta que el tiempo deseado aparezca en la pantalla. Vea "Modificadores."
- Para el cuidado óptimo de los tejidos, siga las instrucciones que vienen en las etiquetas de las prendas.

4. (PASO OPCIONAL) Si lo desea, seleccione OPTIONS. Para obtener más detalles, vea "Opciones."
5. (PASO OPCIONAL) Si lo desea, fije la Señal de fin de ciclo (END OF CYCLE SIGNAL).
6. Presione Puesta en marcha (START). Cerciórese de que la puerta esté cerrada.
  - Si no presiona START dentro de los 5 minutos de haber seleccionado el ciclo, la secadora se apagará automáticamente.
  - Si desea terminar el ciclo de secado después de presionar START, presione Parada/Anulación (STOP/CANCEL) dos veces.

## Cómo detener su secadora

### Para detener su secadora en cualquier momento

Presione STOP/CANCEL o abra la puerta.

## Cómo hacer una pausa o reanudar la marcha

### Para hacer una pausa en cualquier momento

Abra la puerta o presione STOP/CANCEL una vez.

### Para reanudar la marcha de la secadora

Cierre la puerta y presione START.

**NOTA:** El secado continuará desde la etapa donde se interrumpió el ciclo si usted cierra la puerta y presiona START dentro de los 5 minutos siguientes. Si se interrumpe el ciclo por más de 5 minutos, la secadora se apagará. Usted tendrá que seleccionar nuevos ajustes de ciclo antes de reanudar la marcha de la secadora.

## Cómo cargar

El cargar adecuadamente su secadora puede reducir sus gastos de consumo de energía y prolongar la vida de sus prendas de vestir.

### Sugerencias para cargar

- Cargue la secadora según la cantidad de espacio que ocupan los artículos, no por su peso.
- No sobrecargue la secadora. Esto da lugar a un secado desigual y a la formación de arrugas.

## Secadoras de capacidad Extra grande (KING SIZE™)

### Ropa de trabajo pesada

4 pantalones de mezclilla	2 pantalones de deporte
4 pantalones de trabajo	2 camisetas de deporte
4 camisas de trabajo	

### Toallas

10 toallas de baño	14 toallas faciales
10 toallas de mano	

### Carga mixta

3 sábanas (1 de cama doble, 2 de camas gemelas)	3 blusas
4 fundas	9 camisetas
3 camisas	9 pantalones cortos
	10 pañuelos

## Sugerencias de ciclos y de secado

Seleccione la temperatura y el ciclo correctos para su carga.

La pantalla muestra el tiempo estimado del ciclo cuando su secadora detecta automáticamente el nivel de sequedad de su carga. Si un ciclo está usando Secado programado (Timed Dry), la pantalla muestra el número exacto de minutos restantes en el ciclo.

El enfriamiento rota la carga sin calor durante los últimos minutos de todos los ciclos. El enfriamiento facilita el manejo de las cargas. La duración del enfriamiento depende del tamaño de la carga y el nivel de sequedad.

### Sugerencias de secado

- Siga las instrucciones de cuidado de la etiqueta cuando estén disponibles.
- Si usted emplea hojas de suavizante de telas, use únicamente aquellas cuya etiqueta indica que pueden utilizarse en secadoras. Siga las instrucciones del paquete.
- Quite la carga de la secadora tan pronto se detenga la rotación para reducir la formación de arrugas. Esto es de especial importancia para los tejidos de planchado permanente, de punto y de fibras sintéticas.

### Sugerencias de ciclos

- Seque la mayoría de las cargas usando los ajustes prefijados de ciclos.
- Use este cuadro como guía para secar diversas cargas. La temperatura de secado y el Nivel de secado automático (Auto Dry Level) [(Secado normal)] están prefijados cuando usted selecciona un ciclo de Secado automático. Usted puede elegir un nivel de secado distinto de acuerdo con su carga. (Vea "Modificadores.")
- Para un ciclo programado, la temperatura de secado está prefijada, pero el tiempo se puede ajustar.



## AJUSTES DE CICLOS PREFIJADOS

Ciclo Tipo de carga	Método de secado (Nivel de secado automático)	Temp.	Tiempo (minutos)
<b>Algodón/toallas (COTTON/TOWELS)</b> <i>Ropa pesada, toallas</i>	Secado automático (Auto Dry) (Normal)	Alta (High)	54*
<b>Pantalones de mezclilla (JEANS)</b>	Secado automático (Normal)	Media Alta (Medium High)	64*
<b>NORMAL</b> <i>Pana, ropa de trabajo</i>	Secado automático (Normal)	Media (Medium)	52*
<b>Artículos voluminosos (BULKY ITEMS)</b> <i>Edredones, bolsas para dormir</i>	Secado automático (Normal)	Media	60*
<b>Ropa delicada/informal (DELICATE/CASUAL)</b> <i>Sábanas, planchado permanente, pañales</i>	Secado automático (Normal)	Baja (Low)	36*
<b>Ropa ultradelicada (ULTRA DELICATE)</b> <i>Ropa para gimnasia, cortinas traslúcidas, encaje</i>	Secado automático (Normal)	Ultra baja (Ultra Low)	22*
<b>Secado expreso (EXPRESS DRY™)</b> <i>Cargas pequeñas</i>	Secado programado (Timed Dry)	Alta	23**
<b>Secado al aire (AIR DRY)</b> <i>Goma, plástico, de cuidado especial</i>	Secado programado	Sin calor	30**
<b>Retoque (TOUCH UP)</b> <b>Secado intenso (Heavy Duty)</b> <i>Tejidos pesados y resistentes</i>	Secado programado	Alta	30**
<b>Delicado (Delicate)</b> <i>Artículos de peso liviano, sintéticos</i>		Baja	20**

\*Tiempo estimado prefijado

\*\*Tiempo real

## Estado de la secadora (Dryer Status)

Observe el avance de su secadora con los indicadores de estado de secado.

### DRYER STATUS

- DRYING
- COOL DOWN
- WRINKLE GUARD
- CHECK LINT SCREEN

Secando (DRYING) se ilumina cuando se presiona Puesta en marcha (Start).

DRYING destella intermitentemente cuando la pantalla muestra los minutos restantes reales que quedan del ciclo. DRYING deja de destellar intermitentemente al inicio de Enfriamiento (Cool Down).

Enfriamiento (COOL DOWN) se ilumina durante la porción de enfriamiento del ciclo.

Revisar el filtro de pelusa (CHECK LINT SCREEN) destella intermitentemente para recordarle que limpie el filtro de pelusa antes de comenzar un ciclo. La luz se apaga cuando usted abre la puerta de la secadora o presiona Start.

### Luces indicadoras

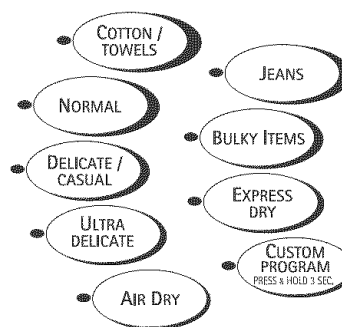
Otras luces indicadoras muestran el ciclo, las opciones y los modificadores que se han seleccionado. Las luces de la pantalla también muestran el Tiempo restante (Time Remaining) estimado o real.

## Ciclos

Seleccione el ciclo de secado de acuerdo con el tipo de carga que esté secando. Una gama prefijada de calor se ajusta automáticamente para el tipo de tejido seleccionado. (Vea el cuadro "Sugerencias de ciclos y de secado.")

Cuando usted selecciona un ciclo, su secadora selecciona una temperatura prefijada, un Nivel de Secado automático (Auto Dry Level) (Normal) y el tiempo restante (Time Remaining) de Secado automático estimado [Auto Dry (Estimated)] o de secado programado real [Timed Dry (Actual)]. El tiempo que aparece en la pantalla para los ciclos de Secado automático son tiempos estimados. Luego de una porción del ciclo, la secadora apaga la luz indicadora del Tiempo restante (estimado) de Secado automático (estimado) y muestra en pantalla el tiempo restante real. La luz indicadora de Secado programado (real) se encenderá sólo si se ha seleccionado un ciclo de Secado temporizado. (Vea "Modificadores.")

### SELECT CYCLE



### Algodón/Toallas (Cotton/Towels)

Use este ciclo para obtener calor alto para sus tejidos pesados.

### Pantalones de mezclilla (Jeans)

Use este ciclo para obtener calor medio alto para secar artículos de mezclilla.

### Normal

Use este ciclo para obtener calor medio para secar tejidos resistentes.

### Artículos voluminosos (Bulky Items)

Use este ciclo para secar artículos grandes y voluminosos que se secan con rapidez en el exterior pero quedan mojados en el interior. Este ciclo usa un calor medio.

### Ropa delicada/Informal (Delicate/Casual)

Use este ciclo para obtener calor bajo para secar fibras sintéticas, tejidos de punto lavables y de acabado inarrugable.

### Ropa ultradelicada (Ultra Delicate)

Use este ciclo para obtener calor ultrabajo para secar con suavidad artículos como ropa de gimnasia o cortinas traslúcidas.

### Secado expreso (EXPRESS DRY™)

Use este ciclo de calor alto (High Heat) de 23 minutos para el secado de cargas pequeñas o cargas que necesitan un tiempo de secado corto.

### Secado al aire (Air Dry)

El secado al aire le ofrece todos los beneficios del secado en el tendedero con un tiempo de secado más corto. Regule el ciclo de secado al aire desde 1 hasta 99 minutos en cualquier momento durante el ciclo, o use el ajuste prefijado de 30 minutos.

Use el ciclo de secado al aire para artículos que requieren secado sin calor, tales como artículos de goma, plástico y tejidos sensibles al calor. Este cuadro muestra ejemplos de artículos que pueden secarse usando el ciclo de secado al aire.

Tipo de carga	Minutos
Goma espuma - almohadas, brasieres acolchados, juguetes de peluche	20 - 30
Plástico - cortinas de ducha, manteles	20 - 30
Alfombras con reverso de goma	40 - 50
Olefina, polipropileno, nailon diáfano	10 - 20

### Siempre que use el Secado al aire

- Revise para ver si las cubiertas están debidamente cosidas.
- Sacuda y ahueque las almohadas a mano periódicamente durante el ciclo.
- Seque el artículo por completo. Las almohadas de goma espuma tardan en secar.

**NOTA:** Al usar el ciclo de secado al aire no se puede seleccionar un nivel de secado automático.

### Programa personalizado (Custom Program)

Use el Programa personalizado para seleccionar el Ciclo, Opciones y Modificadores que emplea con más frecuencia y guárdelo en la memoria para uso futuro.

#### Para guardar un ciclo para uso futuro

1. Seleccione un Ciclo.
2. Seleccione las Opciones deseadas.
3. Seleccione los Modificadores deseados.
4. Presione y sostenga Programa personalizado (CUSTOM PROGRAM) unos 3 segundos hasta que escuche un bip.
5. Presione puesta en marcha (START).

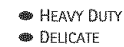
#### Para volver a usar este ciclo

1. Presione CUSTOM PROGRAM.
2. Presione START.

## Opciones

Usted puede personalizar sus ciclos seleccionando opciones.

### OPTIONS



### Señal de secado húmedo (Damp Dry Signal)

Seleccione la señal de secado húmedo para alertarle cuando su ropa esté aproximadamente 80% seca. Esto es útil cuando usted quiere quitar artículos livianos en una carga mixta (para evitar que se sequen en exceso), o para quitar artículos parcialmente secos que pudiesen necesitar un planchado.

**NOTA:** La Señal de secado húmedo es una opción que está disponible únicamente con ciclos automáticos.

### Protección antiarrugas (WRINKLE GUARD® III)

La opción WRINKLE GUARD® III evita la formación de arrugas cuando usted no puede descargar la secadora con prontitud al final de un ciclo.

- Presione WRINKLE GUARD® III para obtener hasta un máximo de 2½ horas de rotación periódica sin calor al final de un ciclo.
- Detenga WRINKLE GUARD® III en cualquier momento presionando el botón WRINKLE GUARD® III o abriendo la puerta de la secadora.
- Para el ciclo de secado automático ropa Delicada/informal (DELICATE/CASUAL), la opción WRINKLE GUARD® III está prefijada en la posición Encendido (ON). Los otros ciclos de secado automático retendrán el ajuste de WRINKLE GUARD® III. (Por ejemplo, si usted selecciona WRINKLE GUARD® III en el ciclo NORMAL, WRINKLE GUARD® III estará encendida la próxima vez que usted seleccione el ciclo Normal.)

**NOTA:** Si usted no selecciona WRINKLE GUARD® III, la secadora se detiene después del enfriamiento.

## Retoque (Touch Up)

Seleccione esta opción para eliminar arrugas de sus artículos limpios como ropa empacada en una maleta o artículos arrugados por haber permanecido en la secadora durante mucho tiempo.

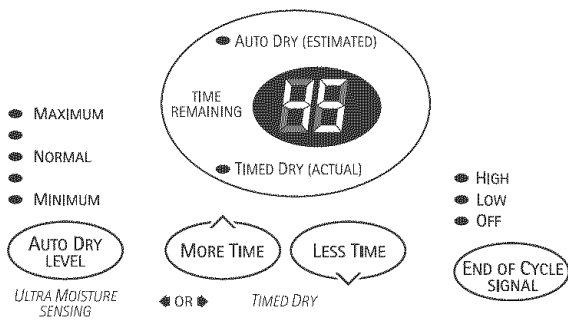
- Presione TOUCH UP una vez para obtener Secado intenso (HEAVY DUTY) (30 minutos de calor alto). Use Secado intenso para artículos de peso mediano a pesado, como edredones y jeans.
- Presione TOUCH UP dos veces para obtener ropa delicada (DELICATE) (20 minutos de calor bajo). Use Delicate para artículos de peso ligero a mediano como blusas y faldas.
- Presione Más tiempo (MORE TIME) o Menos tiempo (LESS TIME) para regular el tiempo del ciclo.
- La opción WRINKLE GUARD® III también está disponible en Retoque. Quite la ropa tan pronto termine la rotación.

## Modificadores

Cuando usted selecciona un ciclo, el ajuste prefijado de Nivel de Secado automático (Auto Dry Level) [Secado automático (Auto Dry)] o Timed Dry (Secado programado) para ese ciclo se encenderá. Los modificadores le permiten cambiar los ajustes prefijados y personalizar más sus ciclos.

### Nivel de secado automático con ultradetección de humedad (Auto Dry Level with Ultra Moisture Sensing)

El nivel de secado automático con ultradetección de humedad brinda los resultados de secado más precisos en el tiempo más corto. Esto le ayuda a ahorrar dinero en sus cuentas de energía y a reducir el riesgo de deterioro de los tejidos. El nivel de secado está determinado por bandas sensoras duales que miden la humedad de su ropa. Una vez que se alcance el nivel de sequedad deseado, los sensores electrónicos emiten una señal para que la secadora se detenga y se evite el secado excesivo de su ropa.



Para todos los ciclos de Secado automático, el Nivel de Secado automático está fijado automáticamente en Secado normal. Este ajuste brinda el cuidado de tejidos recomendado para su ciclo. La pantalla mostrará el tiempo estimado (en minutos) que se requiere para alcanzar un nivel de secado de aproximadamente 80%. Una vez que se alcanza el nivel de sequedad del 80%, el tiempo de secado restante que se requiere aparecerá en la pantalla como tiempo real restante.

Use el ajuste Secado normal para secar la mayoría de sus cargas. Al final de ciclo, toque la ropa seca.

- Si está más húmeda de lo que le gustaría, seleccione un ajuste encima del Secado normal la próxima vez que seque una carga similar.
- Si está más seca de lo que le gustaría, seleccione un ajuste debajo del Secado normal la próxima vez que seque una carga similar.

## Para cambiar el nivel de sequedad

Presione AUTO DRY LEVEL hasta que se ilumine el nivel de sequedad deseado.

**NOTA:** El Nivel de Secado automático no es una opción que se pueda seleccionar con el ciclo Secado expreso (EXPRESS DRY™), el ciclo de Secado al aire (Air Dry) o Retoque (Touch Up).

## Para cambiar el tiempo de secado estimado a real

Presione Más tiempo (MORE TIME) o Menos tiempo (LESS TIME) hasta que el tiempo deseado aparezca en la pantalla. La luz para Secado programado (Timed Dry) (real) se encenderá.

## Secado programado (Timed Dry)

Use Timed Dry para seleccionar un tiempo de secado específico. Los ajustes prefijados para EXPRESS DRY™, Secado al aire y Retoque se fijan automáticamente en Secado programado.

## Para cambiar el tiempo

Presione MORE TIME o LESS TIME hasta que el tiempo deseado aparezca en la pantalla.

## Señal de fin de ciclo (End of Cycle Signal)

La Señal de fin de ciclo emite un sonido audible una vez que el ciclo de secado ha terminado. El quitar la ropa con prontitud al final del ciclo reduce la formación de arrugas.

Presione el botón END OF CYCLE SIGNAL para regular el nivel de sonido o para apagar la señal.

**NOTA:** Cuando se selecciona Protección antiarrugas (WRINKLE GUARD® III) y la Señal de fin de ciclo está encendida, se escuchará un sonido audible cada cinco minutos hasta que se saque la ropa o hasta que WRINKLE GUARD® III se haya terminado.

## Cambio de ciclos, opciones y modificadores

Usted puede cambiar los ciclos, opciones y modificadores en cualquier momento antes de presionar Puesta en marcha (Start).

- Al seleccionar un cambio se escucha un tono audible corto.
- Al seleccionar una combinación no disponible se escuchan dos tonos audibles cortos. No se aceptará la última selección.

## Cambio de ciclos después de presionar Puesta en marcha

1. Presione Parada/anulación (STOP/CANCEL) dos veces.
2. Seleccione el ciclo de secado deseado.
3. Presione START. La secadora vuelve a funcionar al comienzo del nuevo ciclo.

**NOTA:** Si usted no oprime Start dentro de los 5 minutos después de haber seleccionado el ciclo, la secadora se apaga automáticamente.

## Cambio de opciones y modificadores después de presionar Puesta en marcha

Usted puede cambiar una opción o modificador en cualquier momento antes de que comience la opción o modificador seleccionado.

1. Presione STOP/CANCEL.
2. Seleccione la nueva opción y/o modificadores.
3. Presione START para continuar el ciclo.

## Estante térmico de la secadora TUMBLE FREE™

El estante de la secadora fue embalado encima de su secadora. Retírelo y deshágase de los bloques de embalaje antes de usarlo.

Use el estante térmico de la secadora TUMBLE FREE™ para artículos que usted no quiere secar con rotación, como son suéters. Cuando usted usa el estante térmico de la secadora, el aire caliente dentro de la secadora fluye a un ritmo concentrado para permitir un secado uniforme y eficaz.

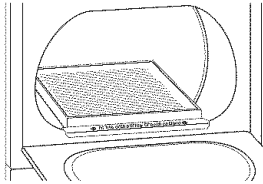
Use el Secado programado (Timed Dry) para seleccionar la duración deseada.

**NOTA:** No use ciclos automáticos con el estante de secado.

### Para usar el estante térmico de la secadora:

No quite el filtro de pelusa.

1. Abra la puerta de la secadora.
2. Deslice el estante térmico de la secadora encima de la parte inferior de la abertura de la puerta de la secadora. Empuje hacia abajo para asegurarlo en el marco.



3. Coloque los artículos mojados encima del estante. Deje espacio alrededor de los artículos para que circule el aire. El estante no se mueve, pero el tambor rotará. Asegúrese que los artículos no cuelguen por los bordes o entre las rejillas del estante.
4. Cierre la puerta.
5. Seleccione el ciclo deseado que esté de acuerdo con los tejidos de su carga. Los artículos que contengan espuma, hule o plástico deben secarse en un tendedero o usando un ciclo de aire. Consulte el cuadro siguiente.
6. Usted debe seleccionar un tiempo, presionando los botones Más tiempo (MORE TIME) o Menos tiempo (LESS TIME). Consulte el cuadro siguiente.
7. Ponga la secadora en marcha.

**NOTA:** Usted debe quitar el estante para un secado normal. Para quitar el estante de secado, levántelo hacia arriba y hacia afuera de la secadora.

**NOTA:** Revise el filtro de pelusa y quite cualquier pelusa acumulada proveniente de los artículos que se han secado en el estante.

Artículos sugeridos para el secado en el estante	Ajuste de ciclo	Tiempo sugerido* (minutos)
Artículos lavables de lana (déles forma y extiéndalos en sentido plano en el estante)	Retoque (Ropa delicado) [Touch Up (Delicate)]	20
Juguetes de peluche o almohadas (con relleno de algodón o fibra de poliéster)	Retoque (Ropa delicado)	30

Artículos sugeridos para el secado en el estante	Ajuste de ciclo	Tiempo sugerido* (minutos)
Juguetes de peluche (con relleno de goma espuma)	Secado al aire (Air Dry)	50
Zapatillas de tenis	Secado al aire	20

\*Vuelva a fijar el tiempo de secado según como sea necesario para lograr un secado completo.

## CUIDADO DE LA SECADORA

### Limpieza del lugar donde está la secadora

Mantenga el área donde está la secadora despejada y libre de artículos que pudieran obstruir el flujo de aire para la combustión y la ventilación.

### ! ADVERTENCIA



#### Peligro de Explosión

Mantenga los materiales y vapores inflamables, como la gasolina, lejos de la secadora.

Coloque la secadora a un mínimo de 46 cm sobre el piso para la instalación en un garaje.

No seguir estas instrucciones puede ocasionar la muerte, explosión o incendio.

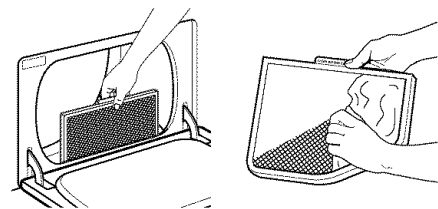
### Limpieza del filtro de pelusa

#### Limpieza de cada carga

El filtro de pelusa está localizado en la puerta de la secadora. Límpielo antes de poner cada carga. Un filtro obstruido con pelusa puede aumentar el tiempo de secado.

#### Para limpiar

1. Jale el filtro de pelusa en sentido recto hacia arriba. Quite la pelusa del filtro enrollándola con sus dedos. No enjuague ni lave el filtro para quitar la pelusa. La pelusa mojada es difícil de quitar.



2. Empuje el filtro de pelusa firmemente de vuelta en su lugar.

## IMPORTANTE:

- No ponga a funcionar la secadora con un filtro de pelusa flojo, dañado, obstruido o sin él. El hacerlo puede causar un sobrecalentamiento y dañar tanto la secadora como la ropa.
- Algunas toallas hechas de fibras sintéticas y fibras naturales (mezclas de poliéster y algodón) pueden soltar más pelusa que otras toallas, dando lugar a que el filtro de pelusa de su secadora se llene con más rapidez. Asegúrese de quitar la pelusa del filtro de pelusa antes y después de secar toallas nuevas.
- Si al quitar la pelusa del filtro, ésta cae en la secadora, revise la capota de ventilación y quite la pelusa. (Vea “Requisitos de ventilación”.)

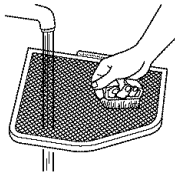
### Limpieza según la necesidad

Los residuos de detergente de lavandería y suavizante de telas pueden acumularse en el filtro de pelusa. Esta acumulación puede ocasionar tiempos de secado más prolongados para su ropa, o hacer que la secadora se detenga antes que su carga esté completamente seca. Si la pelusa cae del filtro es probable que el filtro esté obstruido.

Limpie el filtro de pelusa con un cepillo de nailon cada 6 meses o con más frecuencia si se obstruye debido a la acumulación de residuos.

#### Para lavar

1. Quite la pelusa del filtro enrollándola con sus dedos.
2. Moje ambos lados del filtro de pelusa con agua caliente.
3. Moje un cepillo de nailon con agua caliente y detergente líquido. Refriegue el filtro de pelusa con el cepillo para quitar la acumulación de residuos.



4. Enjuague el filtro con agua caliente.
5. Seque meticulosamente el filtro de pelusa con una toalla limpia. Vuelva a colocar el filtro en la secadora.

## Limpieza del interior de la secadora

### Para limpiar el tambor de la secadora

1. Haga una pasta con un detergente de lavandería en polvo y agua muy tibia.
2. Aplique la pasta a un paño suave.  
○  
Aplique al área manchada un producto de limpieza doméstico líquido, no inflamable y frótelos con un paño suave hasta quitar todo el exceso de tinte.
3. Limpie el tambor meticulosamente con un paño húmedo.
4. Ponga a funcionar la secadora con una carga de ropa limpia o toallas para secar el tambor.

**NOTA:** Las prendas que contienen tintes desteñibles, tales como los pantalones de mezclilla o artículos de algodón de colores vivos, pueden teñir el interior de la secadora. Estas manchas no dañan su secadora y no mancharán las cargas de ropa futuras. Seque al revés los artículos que destiñen para evitar la transferencia de tintes.

## Eliminación de pelusa acumulada

### Del interior del gabinete de la secadora:

Según el uso de la secadora, se debe quitar la pelusa cada 2 años, o con más frecuencia. La limpieza deberá efectuarla una persona calificada.

### Del ducto de escape:

La pelusa debe ser quitada nuevamente cada 2 años, o con más frecuencia, de acuerdo con el uso de la secadora.

## Cuidado para las vacaciones y la mudanza

### Cuidado para las vacaciones

Ponga la secadora a funcionar sólo cuando esté en casa. Si va a salir de vacaciones o no va a usar su secadora por un tiempo prolongado, usted deberá:

1. Desenchufar la secadora o desconectar el suministro de energía.
2. Cerrar la válvula de cierre en la línea de suministro de gas.
3. Lavar el filtro de pelusa. Vea “Limpieza del filtro de pelusa”.

### Cuidado para la mudanza

1. Desenchufe la secadora o desconecte el suministro de energía.
2. Cierre la válvula de cierre en la línea de suministro de gas.
3. Desconecte el tubo de la línea de suministro de gas y quite las piezas de conexión adheridas al tubo de la secadora.
4. Ponga una tapa en la línea abierta del suministro de combustible.
5. Asegúrese de que las patas niveladoras estén fijadas en la base de la secadora.
6. Use cinta adhesiva para asegurar la puerta de la secadora.

## Cambio de la luz del tambor

La luz de la secadora se enciende automáticamente en el interior del tambor de la secadora cuando usted abre la puerta.

### Para cambiar la luz del tambor

1. Desenchufe la secadora o desconecte el suministro de energía.
2. Abra la puerta de la secadora. Localice la cubierta del foco de luz en la pared posterior de la secadora. Quite el tornillo ubicado en la esquina inferior derecha de la cubierta. Quite la cubierta.
3. Gire el foco en sentido contrario a las manecillas del reloj. Reemplácelo únicamente con un foco para electrodomésticos de 10 W. Vuelva a colocar la cubierta en su lugar y asegúrela con el tornillo.
4. Enchufe la secadora o reconecte el suministro de energía.

---

---

# SOLUCIÓN DE PROBLEMAS

---

Pruebe primero las soluciones aquí sugeridas y posiblemente se evite el costo de una visita de servicio técnico.

---

## La secadora muestra en la pantalla mensajes codificados

---

- **“PF” (corte de energía), revise lo siguiente:**
    - ¿Está la secadora conectada al suministro de energía?
    - ¿Se ha conectado la secadora a un suministro de energía durante la instalación o un corte de energía?  
Presione Parada/anulación (STOP/CANCEL) para despejar la pantalla.
    - ¿Se ha interrumpido el ciclo de secado por un corte de energía?  
Presione Puesta en marcha (START) para reanudar la marcha de la secadora.
  - **“E” Códigos de servicio técnico variables (E1, E2, E3):**

Solicite servicio técnico.
- 

## La ropa no se está secando bien

---

- **Revise lo siguiente:**
    - ¿Está obstruido el filtro de pelusa?
      - ¿Está obstruido con pelusa el ducto de escape o la capota de ventilación, restringiendo el movimiento del aire? Ponga a funcionar la secadora por 5 a 10 minutos. Ponga su mano debajo de la capota de ventilación para verificar el movimiento del aire. Si no siente el movimiento del aire, limpie el sistema de ventilación de pelusas o reemplace el ducto de escape con uno de metal pesado o de metal flexible. Vea “Instrucciones de instalación”.
      - ¿Está el ducto de escape aplastado o retorcido?  
Reemplácelo con uno de metal pesado o de metal flexible. Vea “Instrucciones de instalación”.
      - ¿Se ha quemado el fusible o se ha disparado el cortacircuitos?
      - ¿Se ha seleccionado un ciclo de Secado al aire (Air Dry)?  
Seleccione el ciclo adecuado para los tipos de prendas que está secando. Vea “Ciclos”.
      - ¿Está terminando más rápido el ciclo automático? Es posible que la carga no esté haciendo contacto con las bandas del sensor electrónico; nivele la secadora.
      - ¿Está abierta la válvula en la línea de suministro de gas?
      - ¿Están las hojas de suavizante de telas bloqueando la rejilla?  
Use únicamente una hoja de suavizante de telas y sólo una vez.
  - **¿Está la secadora localizada en un cuarto cuya temperatura es inferior a 45°F (7°C)?**

Para el funcionamiento adecuado de los ciclos de la secadora se necesitan temperaturas superiores a 45°F (7°C).
  - **¿Se ha usado agua fría para el enjuague? ¿Estaba la carga muy mojada?**

Espere tiempos de secado más prolongados para artículos enjuagados en agua fría y para aquéllos que retienen humedad (fibras de algodón).
  - **¿Es la carga muy grande y pesada para secar con rapidez?**

Separe la carga para que rote con libertad.
- 

## La secadora no funciona

---

- **Revise lo siguiente:**
    - ¿Está enchufado el cable eléctrico?
    - ¿Se ha quemado un fusible o se ha disparado el cortacircuitos?
    - ¿Se ha usado un fusible común? Use un fusible retardador.
    - ¿Se ha cerrado con firmeza la puerta de la secadora?
    - ¿Se ha presionado con firmeza el botón de START?
    - ¿Se ha seleccionado un ciclo?
- 

## Sonidos raros

---

- **¿Ha estado la secadora sin uso por una temporada?**

Si no se ha usado la secadora por una temporada, es posible que se escuche un sonido fuerte durante los primeros minutos de funcionamiento.

El chasquido de la válvula de gas es un sonido de funcionamiento normal.
- 

## Pelusa en la ropa

---

- **¿Está obstruido el filtro de pelusa?**

Limpie el filtro de pelusa. Verifique si hay movimiento de aire.
  - **¿Se ha separado debidamente la carga?**

Separe la ropa que suelta pelusa (toallas, felpilla) de la ropa que atrae pelusa (pana, fibra sintética). También sepárela por color.
  - **¿Está la carga demasiado grande o demasiado pesada?**

Seque cargas más pequeñas de modo que la pelusa pueda ser capturada por el filtro de pelusa.
  - **¿Se ha secado en exceso la carga?**

Use los ajustes correctos para el tipo de carga. Vea “Cambio de ciclos, opciones y modificadores”. El secar en exceso puede ocasionar la electricidad estática que atrae pelusa.
  - **¿Se ha dejado papel o tisú en los bolsillos?**
  - **¿Se está confundiendo las motitas con la pelusa?**

Las motitas (pelusas en la superficie de la ropa) son ocasionadas por el uso y el lavado normal de la ropa.
- 

## Manchas en la carga o cambio de color

---

- **¿Se ha empleado adecuadamente el suavizante de telas?**

Agregue hojas de suavizante de telas al comienzo del ciclo cuando la carga está fría. No agregue hojas de suavizante de telas a una carga caliente.
  - **¿Estaban sucios los artículos en el momento en que se colocaron en la secadora?**

Los artículos deben estar limpios antes de secarlos.
  - **¿Se han separado debidamente los artículos?**

Separe la ropa de colores claros de la de colores oscuros. Separe los artículos de colores sólidos de los que destiñen.
-

---

## Ropa encogida

---

- **¿Se ha sobrecargado la secadora?**  
Seque cargas más pequeñas que puedan rotar con libertad.
- **¿Se ha secado en exceso la carga?**  
Verifique la etiqueta de cuidado del fabricante. Fije el ajuste de la secadora de acuerdo al tipo de carga. Vea “Ciclos”.

---

## Ropa arrugada

---

- **¿Se ha sacado la ropa de la secadora al final del ciclo?**
- **¿Se ha sobrecargado la secadora?**  
Seque cargas más pequeñas que puedan rotar con libertad.
- **¿Se ha secado en exceso la carga?**  
Verifique la etiqueta de cuidado del fabricante. Fije el ajuste de la secadora de acuerdo al tipo de carga. Vea “Ciclos”.

---

## Olores

---

- **¿Ha estado pintando, tiñendo o barnizando recientemente el área donde se encuentra la secadora?**  
De ser así, ventile el área. Cuando los olores o humos se hayan esfumado del área, vuelva a lavar y secar la ropa.

---

## Prendas deterioradas

---

- **Revise lo siguiente:**
  - ¿Se han dejado abiertos los zípers, broches a presión y sujetadores con corchetes?
  - ¿Se han atado los cordones y fajas para evitar que se enreden?
  - ¿Se han observado las instrucciones de cuidado de las etiquetas?
  - ¿Se han deteriorado los artículos antes del secado?

# Get it fixed, at your home or ours!

## Your Home

For repair – **in your home** – of **all** major brand appliances, lawn and garden equipment, or heating and cooling systems, **no matter who made it, no matter who sold it!**

For the replacement parts, accessories and owner's manuals that you need to do-it-yourself.

For Sears professional installation of home appliances and items like garage door openers and water heaters.

**1-800-4-MY-HOME® (1-800-469-4663)**

Call anytime, day or night (U.S.A. and Canada)

[www.sears.com](http://www.sears.com)    [www.sears.ca](http://www.sears.ca)

---

## Our Home

For repair of carry-in items like vacuums, lawn equipment, and electronics, call or go on-line for the location of your nearest **Sears Parts & Repair Center.**

**1-800-488-1222**

Call anytime, day or night (U.S.A. only)

[www.sears.com](http://www.sears.com)

---

To purchase a protection agreement (U.S.A.) or maintenance agreement (Canada) on a product serviced by Sears:

**1-800-827-6655** (U.S.A.)

**1-800-361-6665** (Canada)

---

Para pedir servicio de reparación a domicilio, y para ordenar piezas:

**1-888-SU-HOGAR<sup>SM</sup>**

(1-888-784-6427)

Au Canada pour service en français:

**1-800-LE-FOYER<sup>MC</sup>**

(1-800-533-6937)

[www.sears.ca](http://www.sears.ca)

# SEARS