

PERFORMANCE DATA NO LOAD & NO DOOR OPENINGS AT 37°/0° CONTROL SETTING				
Variable Speed Compressor	65°F (18°C) Ambient	90°F (32°C) Ambient		
Operating Time	32 to 40%	100%		
Freezer Temperature	-6° to 6° F -21° to -14° C	-6° to 6° F -21° to -14° C		
Refrigerator Temperature	33° to 46° F 0.5° to 8° C	33° to 46° F 0.5° to 8° C		
Low Side Pressure (cut-in)	5 to 12 psig 34 to 83 kPa	N/A		
Low Side Pressure (cut-out)	-2 to 2 psig -14 to 14 kPa	-2 to 2 psig -14 to 14 kPa		
High Side Pressure	85 to 95 psig 586 to 655 kPa	120 to 135 psig 827 to 931 kPa		
Wattage	40 to 55	60 to 70		
Amps (running)	.5 to 1.1	.7 to .9		
Base Voltage	115 vac (127 vac max)			
DEFROST SPECIFICATIONS				
Cabinet Size	Thermostat		Heater	
	Cut-in	Cut-out	Watts	Ohms
26' & 28' SD, 23' CD	25° F (-4° C)	47° F (8° C)	500	26
Electronic Timer - (ADC) Defrost 24 minutes every 6-96 hours of compressor run time.				
CONDENSER FAN MOTOR				
Watts	RPM		Amps	
3.1 (Energy Star, some models)	1100 CW Opposite Shaft		0.03 Running	
ICE MAKER SPECIFICATIONS				
Electrical	115 vac (127 vac max)			
Thermostat	Opens at 48° F (9° C), Closes at 15° F (-9° C)			
Heater Voltage	85 vac			
ICE MAKER CONNECTOR PLUG CONNECTIONS				
Wire Number	Wire Color	Connects to:		
1	Green/Yellow	Ground		
2	Yellow	Water Valve		
3	Black	Line		
4	Light Blue	Neutral		

SERVICE DATA SHEET - 240389644

FREEZER ICE MAKER - AUTOMATIC DEFROST BOTTOM FREEZER - R134a

▶ IMPORTANT SAFETY NOTE

The information provided herein is designed to assist qualified repair personnel only. Untrained persons should not attempt to make repairs due to the possibility of electrical shock. Disconnect power cord before servicing this appliance.

IMPORTANT

If any green grounding wires are removed during servicing, they must be returned to their original position and properly secured.

⚠ CAUTION

All electrical parts and wiring must be shielded from torch flame. DO NOT allow torch to touch insulation; it will char at 200°F and flash ignite (burn) at 500°F. Excessive heat will distort the plastic liner.

📌 NOTE

This product comes equipped with an Adaptive Defrost Control (ADC). To activate manual defrost, simultaneously press and hold the Fresh Food up (+) and Fresh Food down (-) keys for 5 seconds. A "d" in the freezer temperature window and "F" in the refrigerator temperature window will display when the heater is activated. To deactivate manual defrost, simultaneously press and hold the Fresh Food up (+) and Fresh Food down (-) keys for 5 seconds. A "d" and "F" will be displayed until the defrost cycle is complete.

▶ IMPORTANT

PLEASE RETURN THIS SHEET TO IT'S ORIGINAL LOCATION

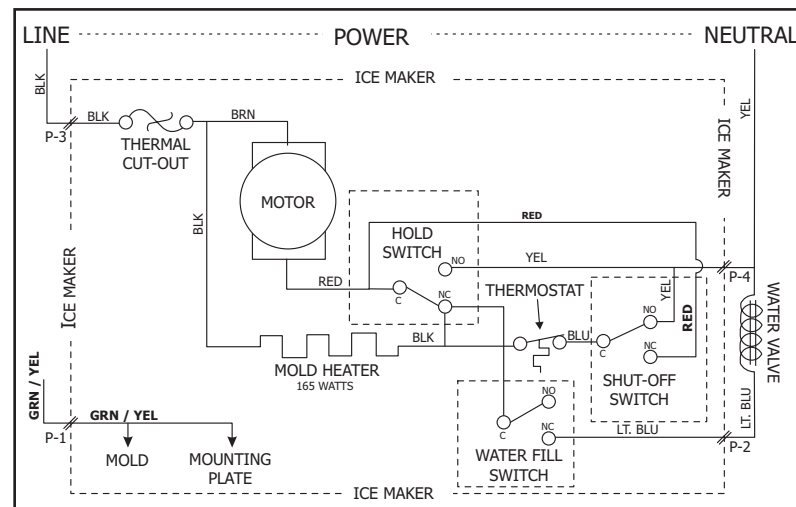
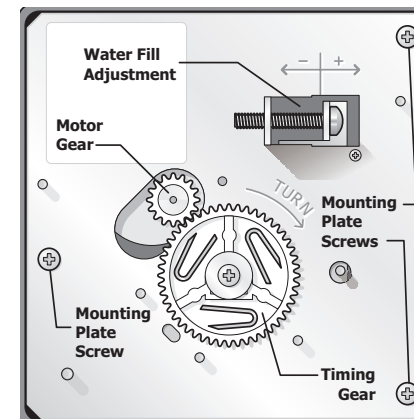
ICE MAKER INFORMATION

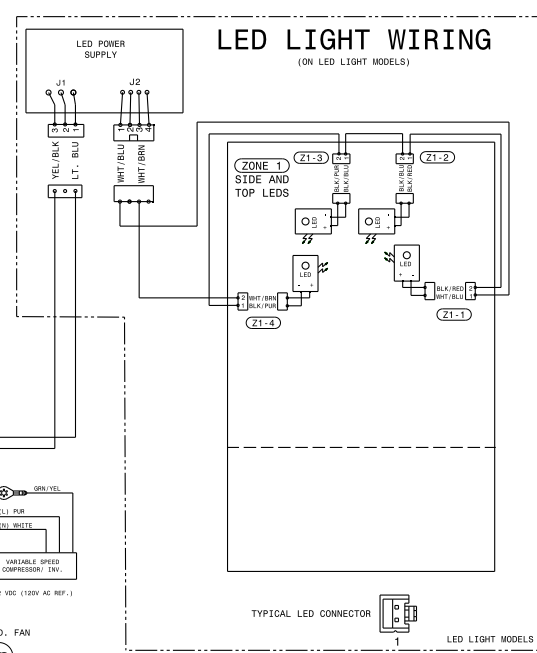
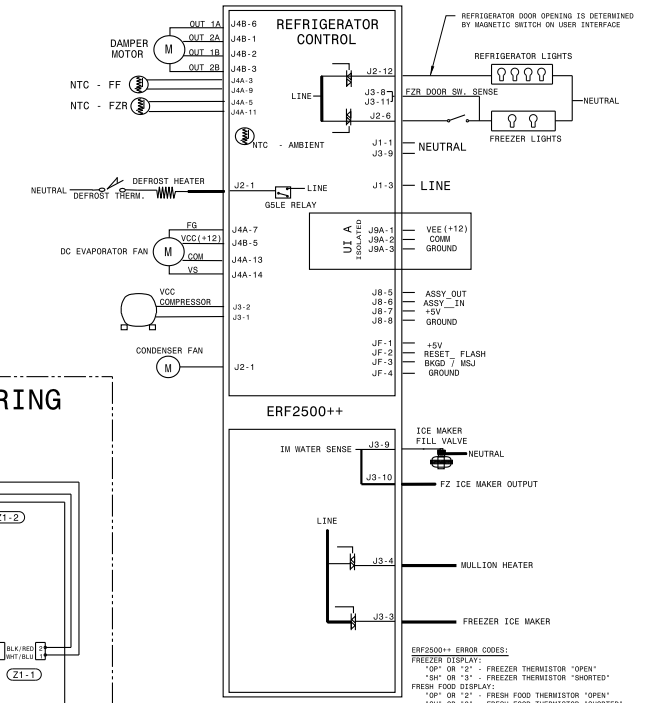
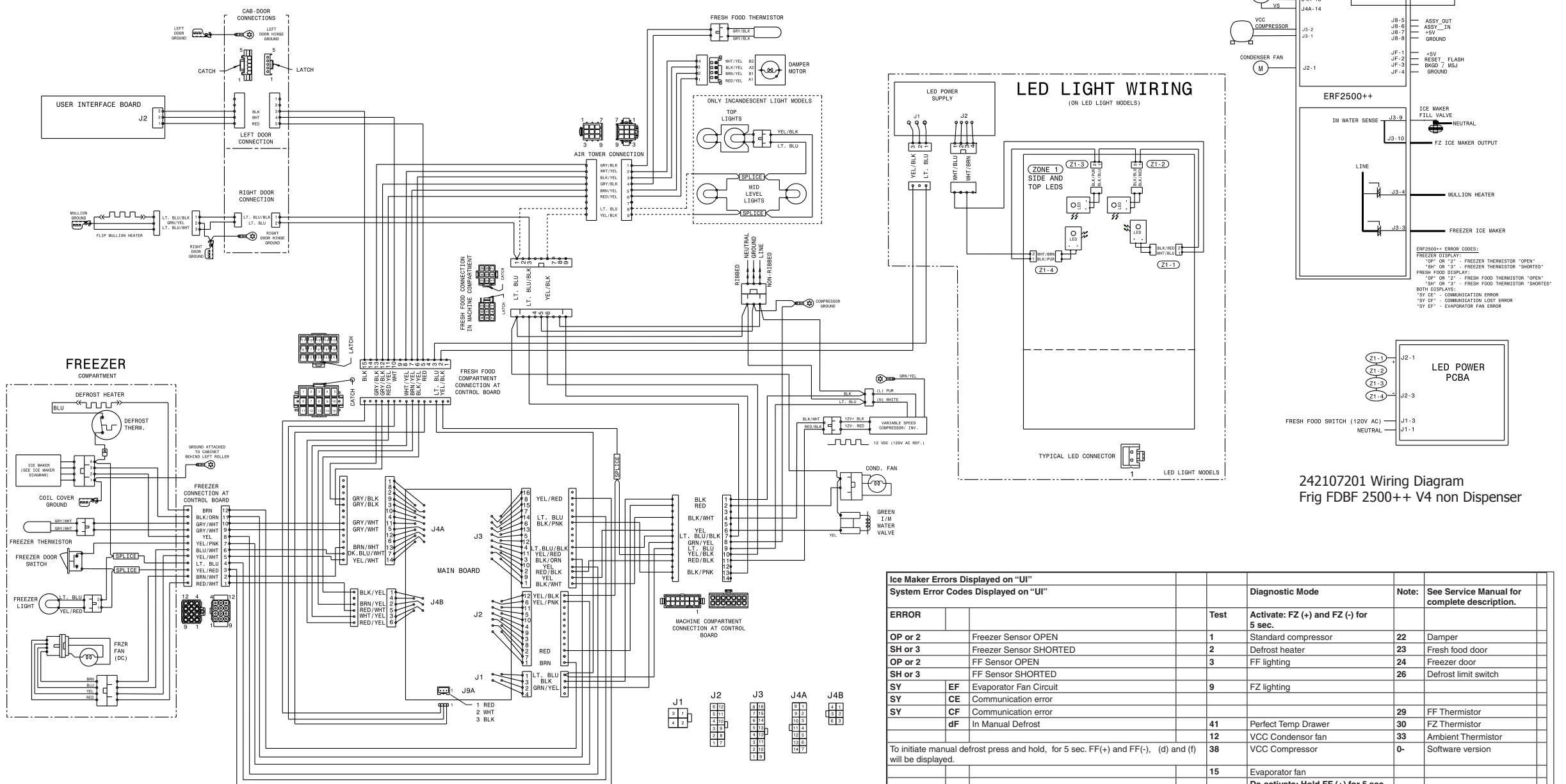
Test Cycling

Remove cover by inserting screwdriver in notch at bottom and prying cover from housing. Use screwdriver to rotate motor gear counterclockwise until holding switch circuit is completed. All components of ice maker should function to complete the cycle.

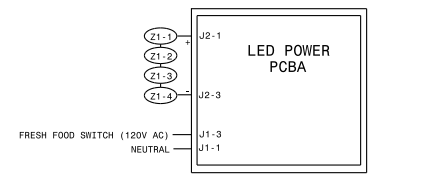
Water Fill Volume

The water fill adjustment screw will change the fill time. One full turn is equal to 20cc (.68 oz.). The correct fill is 102 to 130cc (3.4 to 4.3 oz.). When a water valve is replaced, the fill volume must be checked.





ERF2500+
 IM WATER SENSE
 ICE MAKER FILL VALVE
 FZ ICE MAKER OUTPUT
 MULLION HEATER
 FREEZER ICE MAKER



242107201 Wiring Diagram
 Frig FDBF 2500++ V4 non Dispenser

Ice Maker Errors Displayed on "UI"		System Error Codes Displayed on "UI"		Diagnostic Mode	Note:	See Service Manual for complete description.
ERROR		Test	Activate: FZ (+) and FZ (-) for 5 sec.			
OP or 2	Freezer Sensor OPEN	1	Standard compressor	22	Damper	
SH or 3	Freezer Sensor SHORTED	2	Defrost heater	23	Freezer door	
OP or 2	FF Sensor OPEN	3	FF lighting	24	Freezer door	
SH or 3	FF Sensor SHORTED	3	FF lighting	26	Defrost limit switch	
SY	EF Evaporator Fan Circuit	9	FZ lighting			
SY	CE Communication error					
SY	CF Communication error					29 FF Thermistor
dF	In Manual Defrost					30 FZ Thermistor
		12	VCC Condensor fan	33	Ambient Thermistor	
		38	VCC Compressor	0-	Software version	
		15	Evaporator fan			
To initiate manual defrost press and hold, for 5 sec. FF(+) and FF(-), (d) and (f) will be displayed.						
			De-activate: Hold FF (+) for 5 sec.			