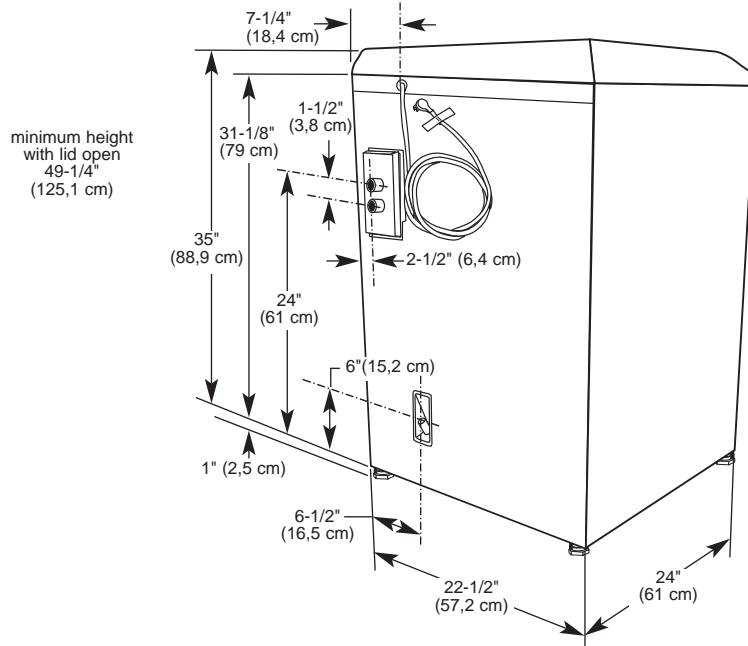


PRODUCT MODEL NUMBERS

LCR5232D
LCR5232H

Electrical: 120-volt, 60-Hz, AC-only, 15- or 20-amp. electrical supply. A time-delay fuse or circuit breaker and separate circuit is recommended.

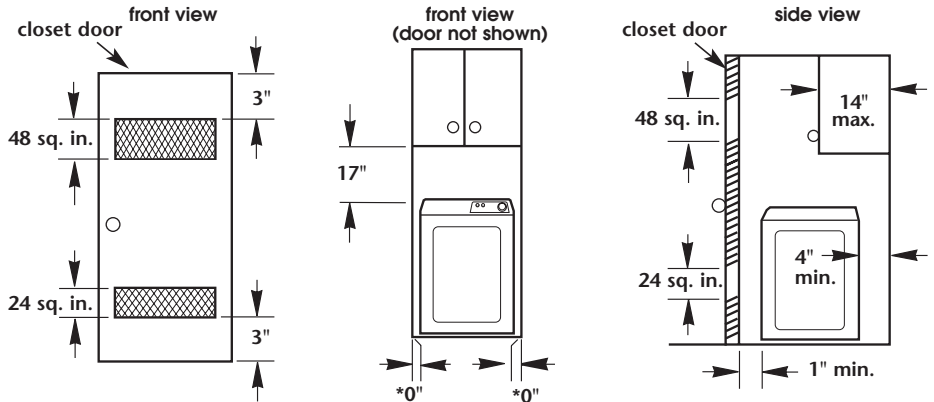
REQUIREMENTS



RECESSED AREA AND CLOSET INSTALLATION

Closet confined area

If a closet door is installed: The minimum unobstructed air openings are required. Louvered doors with equivalent air openings are acceptable.

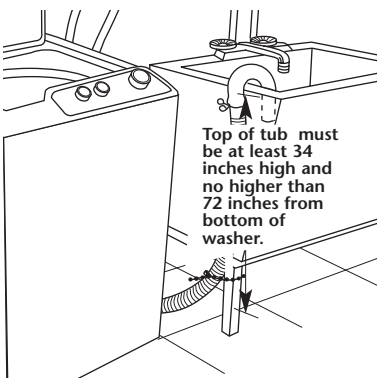


* Additional clearances for wall, door and floor moldings may be required.

DRAIN SYSTEM OPTIONS

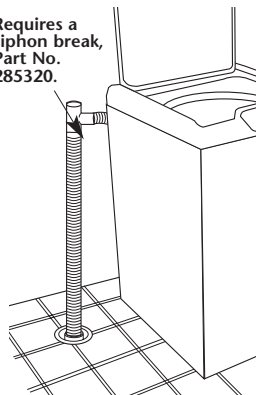
1. Laundry tub or utility sink drain system:

Needs a 20-gallon laundry tub.



2. Floor drain system:

Requires a siphon break, Part No. 285320.



3. Standpipe drain system:

Needs a two-inch minimum diameter standpipe with minimum carry-away capacity of 11 gallons per minute.

