



Duet Steam and Non-Steam Electronic Electric Dryer

PRODUCT MODEL NUMBERS

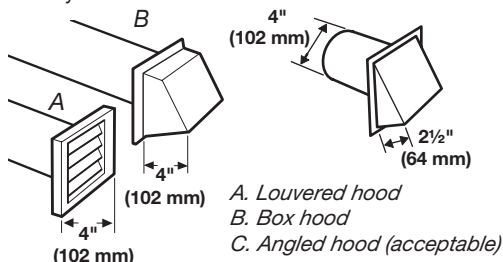
WED9600T, WED9450W,
WED9470W, WED9550W,
WED9750W, WED9610X

Electrical: This dryer requires a 3 or 4 wire, single phase, 120/240 volt, 60 Hz., AC only electrical supply (or 3 or 4 wire, 120/208 volt electrical supply, if specified on the serial/rating plate) on a separate 30-amp circuit, fused on both sides of the line. A time-delay fuse or circuit breaker is recommended. Connect to an individual branch circuit. Do not have a fuse in the neutral or grounding circuit.

Water (Steam models only) The dryer must be connected to the cold water faucet using new inlet hoses. Do not use old hoses. Do not overtighten. Damage to the coupling can result.

Exhaust venting: Exhaust your dryer to the outside. 4" (102 mm) diameter vent is required. Rigid or flexible metal exhaust vent must be used. Do not use plastic or metal foil vet. Exhaust hood must be at least 12" (305 mm) from the ground or any object that may be in the path of the exhaust.

Hood styles: A & B are recommended.

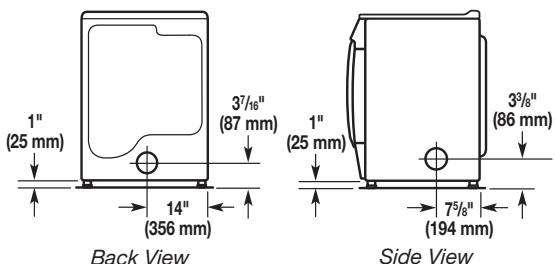


The vent system chart provides venting requirements that will help to achieve the best drying performance.

Vent system chart:

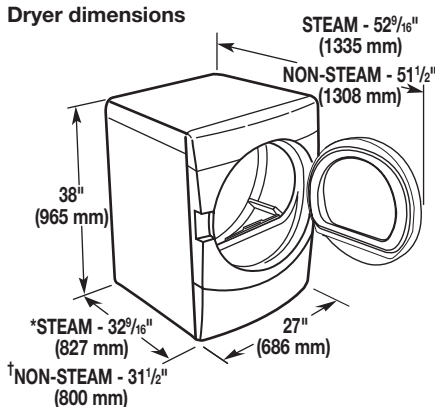
NOTE: Side and bottom exhaust installations have a 90° turn inside the dryer. To determine maximum exhaust length, add one 90° turn to the chart.

Number of 90° turns or elbows	Type of vent	Box or Louvered hoods	Angled hoods
0	Rigid metal	64 ft (20 m)	58 ft (17.7 m)
1	Rigid metal	54 ft (16.5 m)	48 ft (14.6 m)
2	Rigid metal	44 ft (13.4 m)	38 ft (11.6 m)
3	Rigid metal	35 ft (10.7 m)	29 ft (8.8 m)
4	Rigid metal	27 ft (8.2 m)	21 ft (6.4 m)

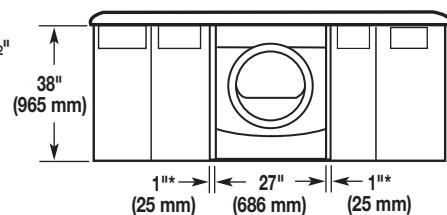


OVERALL DIMENSIONS

Dryer dimensions

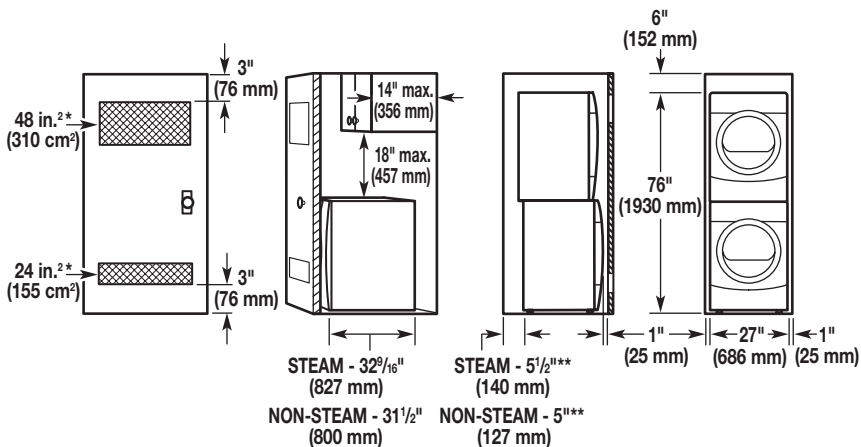


Custom undercounter installation-dryer only

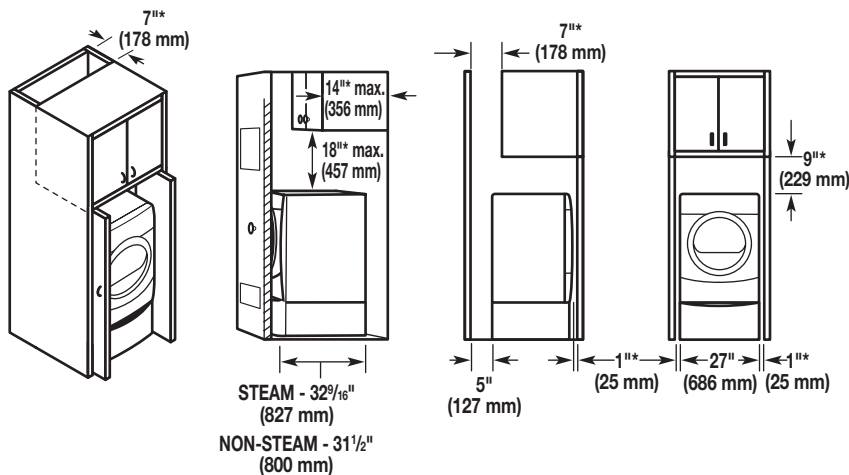


† Most installations require a minimum 5" (127 mm) clearance behind the dryer for the exhaust vent with elbow. See Installation Instructions, "Venting Requirements."

For closet installation, with a door, the minimum ventilation openings in the top and bottom of the door are required. Louvered doors with equivalent air ventilation openings are acceptable.



For cabinet installation, with a door, the minimum ventilation openings in the top are required.



*Required spacing **For side or bottom venting, 0" (0 mm) spacing is allowed.

Select the route that will provide the straightest and most direct path outdoors. Plan the installation to use the fewest number of elbows and turns. Use the fewest 90° turns possible. Do not use vent runs longer than specified in vent length chart. Determine the number of elbows you will need.