

# 29 IN. (73.7 CM) ELECTRIC DRYER INSTALLATION INSTRUCTIONS

## INSTRUCCIONES DE INSTALACIÓN PARA LA SECADORA ELÉCTRICA DE 29 PULG. ( 73,7 CM)

### Table of Contents / Índice

<b>DRYER SAFETY</b> .....	1	<b>SEGURIDAD DE LA SECADORA</b> .....	13
<b>INSTALLATION INSTRUCTIONS</b> .....	2	<b>INSTRUCCIONES DE INSTALACIÓN</b> .....	13
Tools and Parts .....	2	Herramientas y piezas .....	13
Location Requirements .....	2	Requisitos de localización .....	13
Electrical Requirements .....	3	Requisitos eléctricos.....	14
Electrical Connection .....	4	Conexión eléctrica .....	16
Venting Requirements.....	8	Requisitos de ventilación.....	19
Plan Vent System.....	8	Planificación del sistema de ventilación.....	19
Install Vent System.....	10	Instalación del sistema de ventilación.....	21
Install Leveling Legs.....	10	Instalación de las patas niveladoras.....	21
Level Dryer .....	10	Nivelación de la secadora.....	21
Connect Vent .....	10	Conexión del ducto de escape.....	22
Reverse Door Swing .....	10	Cómo invertir el cierre de la puerta .....	22
Complete Installation .....	11	Complete la instalación .....	23
<b>SERVICE NUMBERS</b> .....	<b>BACK COVER</b>	<b>NÚMEROS DE SERVICIO</b> .....	<b>CONTRAPORTADA</b>

## DRYER SAFETY

### Your safety and the safety of others are very important.

We have provided many important safety messages in this manual and on your appliance. Always read and obey all safety messages.



This is the safety alert symbol.

This symbol alerts you to potential hazards that can kill or hurt you and others.

All safety messages will follow the safety alert symbol and either the word "DANGER" or "WARNING."

These words mean:

**⚠ DANGER**

You can be killed or seriously injured if you don't immediately follow instructions.

**⚠ WARNING**

You can be killed or seriously injured if you don't follow instructions.

All safety messages will tell you what the potential hazard is, tell you how to reduce the chance of injury, and tell you what can happen if the instructions are not followed.

# INSTALLATION INSTRUCTIONS

## Tools and Parts

Check that you have everything necessary for correct installation. Proper installation is your responsibility.

- Flat-blade screwdriver
- Adjustable wrench that opens to 1 in. (2.5 cm) or hex-head socket wrench (for adjusting dryer feet)
- Level
- #2 Phillips screwdriver
- Tin snips (new vent installations)
- Safety glasses
- Caulking gun and compound (for installing new exhaust vent)
- Gloves
- Vent clamps
- Wire stripper (direct wire installations)

### Parts supplied:

Remove parts package from dryer drum. Check that all parts were included.



4 leveling legs

### Parts needed:

Check local codes. Check existing electrical supply and venting and see "Electrical Requirements" and "Venting Requirements" before purchasing parts.

Mobile home installations require metal exhaust system hardware available for purchase from your local Sears store or Sears Service Center. For further information, call 1-800-4-MY-HOME® (1-800-469-4663).

## Location Requirements

### WARNING



#### Explosion Hazard

Keep flammable materials and vapors, such as gasoline, away from dryer.

Place dryer at least 18 inches (46 cm) above the floor for a garage installation.

Failure to do so can result in death, explosion, or fire.

### You will need

- A location that allows for proper exhaust installation. See "Venting Requirements."
- A separate 30 amp circuit.
- A grounded electrical outlet located within 2 ft (61 cm) of either side of the dryer. See "Electrical Requirements."
- A sturdy floor to support the total weight (dryer and load) of 200 lb (90.7 kg). The combined weight of a companion appliance should also be considered.

- A level floor with a maximum slope of 1 in. (2.5 cm) under entire dryer. (If slope is greater than 1 in. [2.5 cm], install Extended Dryer Feet Kit, Part No. 279810.) Clothes may not tumble properly and models with automatic sensor cycles may not operate correctly if dryer is not level.

Do not operate your dryer at temperatures below 45°F (7°C). At lower temperatures, the dryer might not shut off at the end of an automatic cycle. Drying times can be extended.

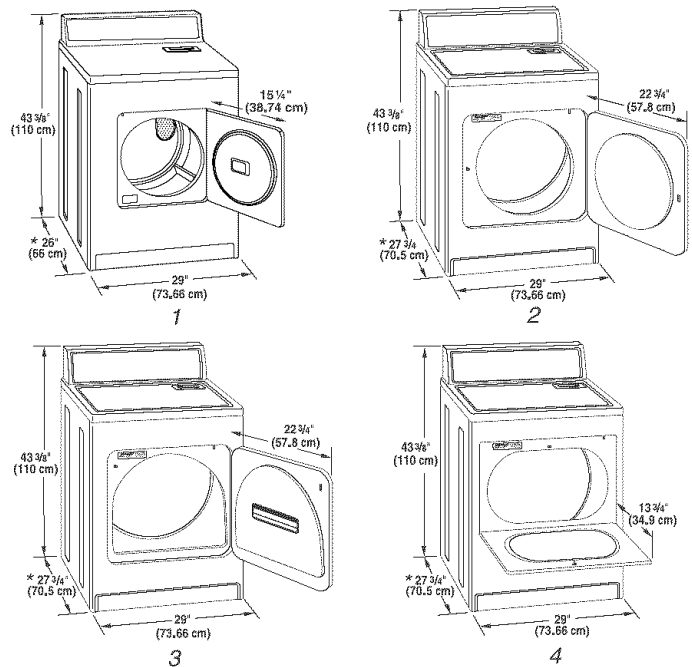
Install the dryer where it is protected from water and/or weather.

Check code requirements. Some codes limit, or do not permit, installation of the dryer in garages, closets, mobile homes, or sleeping quarters. Contact your local building inspector.

### Installation Clearances

The location must be large enough to allow the dryer door to open fully.

### Dryer Dimensions



1. Small Opening Side-Swing Door
2. Large Opening Side-Swing Door
3. Wide Opening Side-Swing Door
4. Wide Opening Hamper Door

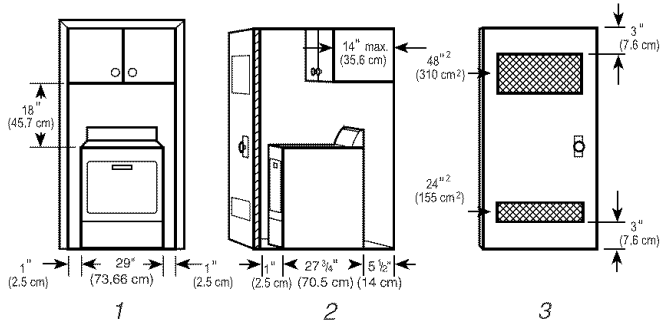
\* Most installations require a minimum 5½ in. (14 cm) clearance behind the dryer for the exhaust vent with elbow. See "Venting Requirements."

### Minimum installation spacing for recessed area or closet installation

The dimensions shown following are for the minimum spacing allowed.

- Additional spacing should be considered for ease of installation and servicing.
- Additional clearances might be required for wall, door and floor moldings.
- Additional spacing of 1 in. (2.5 cm) on all sides of the dryer is recommended to reduce noise transfer.
- For closet installation, with a door, minimum ventilation openings in the top and bottom of the door are required. Louvered doors with equivalent ventilation openings are acceptable.

- Companion appliance spacing should also be considered.



1. Recessed area
2. Side view - closet or confined area
3. Closet door with vents

### Mobile Home-Additional Installation Requirements

This dryer is suitable for mobile home installations. The installation must conform to the Manufactured Home Construction and Safety Standard, Title 24 CFR, Part 3280 (formerly the Federal Standard for Mobile Home Construction and Safety, Title 24, HUD Part 280).

#### Mobile home installations require:

- Metal exhaust system hardware which is available for purchase from your dealer.
- Special provisions must be made in mobile homes to introduce outside air into the dryer. The opening (such as a nearby window) should be at least twice as large as the dryer exhaust opening.

## Electrical Requirements

### It is your responsibility

- To contact a qualified electrical installer.
- To be sure that the electrical connection is adequate and in conformance with the National Electrical Code, ANSI/NFPA 70-latest edition and all local codes and ordinances.  
A copy of the above code standards can be obtained from: National Fire Protection Association, Batterymarch Park, Quincy, MA 02269.
- To supply the required 3 or 4 wire, single phase, 120/240-volt, 60-Hz., AC-only electrical supply (or 3 or 4 wire, 120/208-volt electrical supply, if specified on the serial/rating plate) on a separate 30-amp circuit, fused on both sides of the line. A time-delay fuse or circuit breaker is recommended. Connect to an individual branch circuit. Do not have a fuse in the neutral or grounding circuit.
- Do not use an extension cord.
- If codes permit and a separate ground wire is used, it is recommended that a qualified electrician determine that the ground path is adequate.

### Electrical Connection

To properly install your dryer, you must determine the type of electrical connection you will be using and follow the instructions provided for it here.

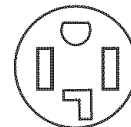
- If local codes do not permit the connection of a cabinet ground connector to the neutral wire, see "Optional 3-wire connection" section.
- This dryer is manufactured with a 3-wire, cabinet-ground conductor connected to the NEUTRAL (white or center wire) of the wiring harness at the terminal block.
- Use a 4-wire conductor cord when the dryer is installed in a mobile home or an area where local codes do not permit grounding through the neutral.

### If using a power supply cord:

Use a UL approved power supply cord kit marked for use with clothes dryers. The kit should contain:

- A UL approved 30 amp power supply cord, rated 120/240 volt minimum. The cord should be type SRD or SRDT and be at least 4 ft (1.22 m) long. The wires that connect to the dryer must end in ring terminals or spade terminals with upturned ends.
- A UL approved strain relief.

### If your outlet looks like this:



4-wire receptacle (14-30R)

Then choose a 4-wire power supply cord with ring or spade terminals and UL approved strain relief. The 4-wire power supply cord, at least 4 ft (1.22 m) long, must have 4, 10 gauge solid copper wires and match a 4-wire receptacle of NEMA Type 14-30R. The ground wire (ground conductor) may be either green or bare. The neutral conductor must be identified by a white cover.

### If your outlet looks like this:



3-wire receptacle (10-30R)

Then choose a 3-wire power supply cord with ring or spade terminals and UL approved strain relief. The 3-wire power supply cord, at least 4 ft (1.22 m) long, must have 3, No.-10 copper wires and match a 3-wire receptacle of NEMA Type 10-30R.

### If connecting by direct wire:

Power supply cable must match power supply (4-wire or 3-wire) and be:

- Flexible armored cable or non-metallic sheathed copper cable (with ground wire), protected with flexible metallic conduit. All current-carrying wires must be insulated.
- 10 gauge solid copper wire (do not use aluminum).
- At least 5 ft (1.52 m) long.

### GROUNDING INSTRUCTIONS

- For a grounded, cord-connected dryer:  
This dryer must be grounded. In the event of malfunction or breakdown, grounding will reduce the risk of electric shock by providing a path of least resistance for electric current. This dryer uses a cord having an equipment-grounding conductor and a grounding plug. The plug must be plugged into an appropriate outlet that is properly installed and grounded in accordance with all local codes and ordinances.
- For a permanently connected dryer:  
This dryer must be connected to a grounded metal, permanent wiring system, or an equipment-grounding conductor must be run with the circuit conductors and connected to the equipment-grounding terminal or lead on the dryer.

**WARNING:** Improper connection of the equipment-grounding conductor can result in a risk of electric shock. Check with a qualified electrician or service representative or personnel if you are in doubt as to whether the dryer is properly grounded. Do not modify the plug on the power supply cord: if it will not fit the outlet, have a proper outlet installed by a qualified electrician.

**SAVE THESE INSTRUCTIONS**

# Electrical Connection

## Power Supply Cord

### **⚠ WARNING**



#### Fire Hazard

- Use a new UL approved 30 amp power supply cord.
- Use a UL approved strain relief.
- Disconnect power before making electrical connections.
- Connect neutral wire (white or center wire) to center terminal (silver).
- Ground wire (green or bare wire) must be connected to green ground connector.
- Connect remaining 2 supply wires to remaining 2 terminals (gold).
- Securely tighten all electrical connections.
- Failure to do so can result in death, fire, or electrical shock.

## Direct Wire

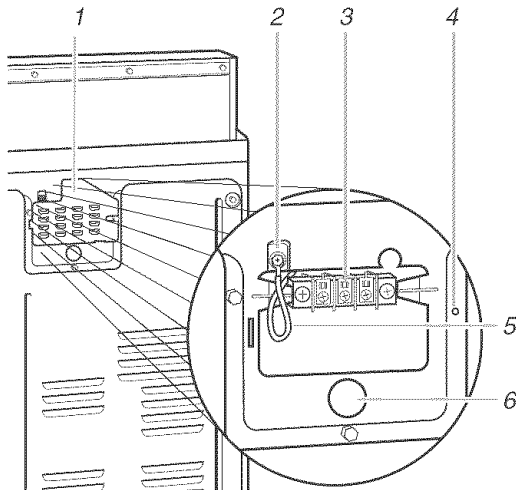
### **⚠ WARNING**



#### Fire Hazard

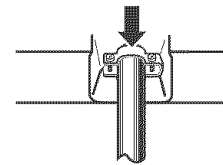
- Use 10 gauge solid copper wire.
- Use a UL approved strain relief.
- Disconnect power before making electrical connections.
- Connect neutral wire (white or center wire) to center terminal (silver).
- Ground wire (green or bare wire) must be connected to green ground connector.
- Connect remaining 2 supply wires to remaining 2 terminals (gold).
- Securely tighten all electrical connections.
- Failure to do so can result in death, fire, or electrical shock.

1. Disconnect power.
2. Remove the hold-down screw and terminal block cover.




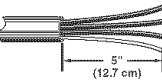

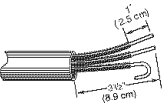
1. Terminal block cover
2. External ground connector
3. Center, silver-colored terminal-block screw
4. Hold-down screw location
5. Neutral grounding wire (green/yellow)
6. Hole below terminal block opening

3. Assemble a 3/4 in. (1.9 cm) UL approved strain relief (UL marking on strain relief) into the hole below the terminal block opening. Tighten strain relief screws just enough to hold the two clamp sections together. Put power supply cord through the strain relief. The strain relief should have a tight fit with the dryer cabinet and be in a horizontal position.



4. Now complete installation following instructions for your type of electrical connection:
  - 4-wire (recommended)
  - 3-wire (if 4-wire is not available)

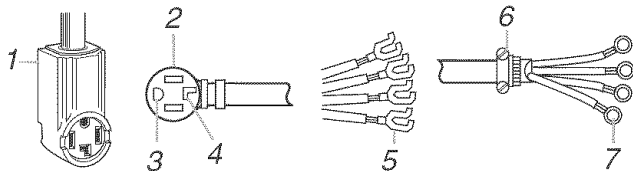
## Electrical Connection Options

If your home has:	And you will be connecting to:	Go to Section
4-wire receptacle (NEMA Type 14-30R) 	A UL listed, 120/240 volt minimum, 30 amp., dryer power supply cord*	4-wire connection: Power Supply Cord
4-wire direct 	A fused disconnect or circuit breaker box*	4-wire connection: Direct Wire
3-wire receptacle (NEMA type 10-30R) 	A UL listed, 120/240 volt minimum, 30 amp., dryer power supply cord*	3-wire connection: Power Supply Cord
3-wire direct 	A fused disconnect or circuit breaker box*	3-wire connection: Direct Wire

\* If local codes do not permit the connection of a frame-grounding conductor to the neutral wire, go to "Optional 3-wire connection" section.

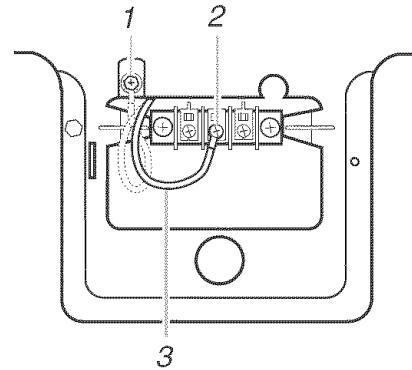
### 4-wire connection: Power Supply Cord

**IMPORTANT:** A 4-wire connection is required for mobile homes and where local codes do not permit the use of 3-wire connections.



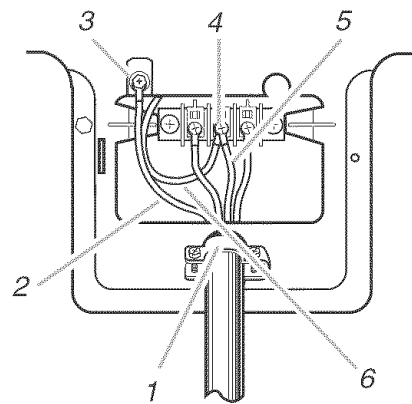
1. 4-wire receptacle (NEMA type 14-30R)
2. 4-prong plug
3. Ground prong
4. Neutral prong
5. Spade terminals with upturned ends
6. 3/4 in. (1.9 cm) UL approved strain relief
7. Ring terminals

1. Remove center terminal block screw.
2. Remove appliance ground wire (green with yellow stripes) from external ground connector screw. Fasten it under center, silver colored terminal block screw.



1. External ground connector - Dotted line shows position of NEUTRAL ground wire before being moved to center terminal block screw
2. Center silver-colored terminal block screw
3. Green/yellow wire of harness

3. Connect ground wire (green or bare) of power supply cord to external ground conductor screw. Tighten screw.
4. Connect neutral wire (white or center wire) of power supply cord under center screw of the terminal block.



1. 3/4 in. (1.9 cm) UL-listed strain relief
2. Green wire of power supply cord or bare copper wire
3. External ground connector
4. Center silver-colored terminal block screw
5. Neutral wire (white or center wire)
6. Neutral grounding wire (green/yellow)

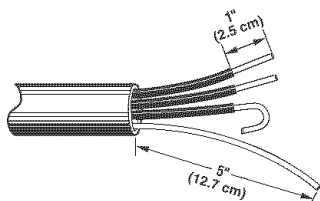
5. Connect the other wires to outer terminal block screws. Tighten screws.
6. Tighten strain relief screws.
7. Insert tab of terminal block cover into slot of dryer rear panel. Secure cover with hold-down screw.

## 4-wire connection: Direct Wire

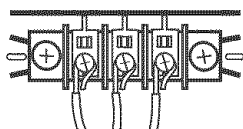
**IMPORTANT:** A 4-wire connection is required for mobile homes and where local codes do not permit the use of 3-wire connections.

Direct wire cable must have 5 ft (1.52 m) of extra length so dryer can be moved if needed.

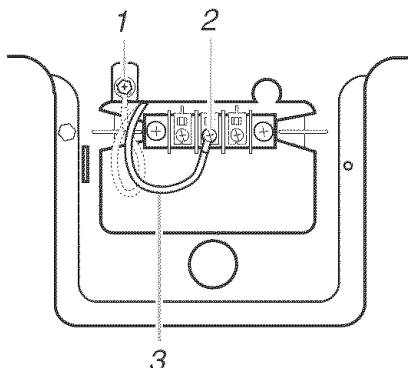
Strip 5 in. (12.7 cm) of outer covering from end of cable, leaving bare ground wire at 5 in. (12.7 cm). Cut 1½ in. (3.8 cm) from 3 remaining wires. Strip insulation back 1 in. (2.5 cm). Bend ends of wires into a hook shape.



When connecting to the terminal block, place the hooked end of the wire under the screw of the terminal block (hook facing right), squeeze hooked end together and tighten screw. See example below.

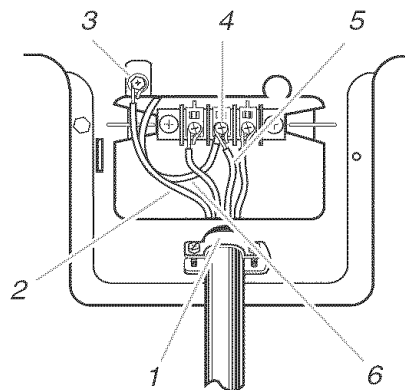


1. Remove center terminal block screw.
2. Remove appliance ground wire (green with yellow stripes) from external ground connector screw. Fasten it under center, silver colored terminal block screw.



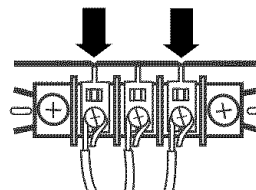
1. External ground connector - Dotted line shows position of NEUTRAL ground wire before being moved to enter terminal block screw
2. Center silver-colored terminal block screw
3. Green/yellow wire of harness

3. Connect ground wire (green or bare) of power supply cable to external ground conductor screw. Tighten screw.
4. Place the hooked end of the neutral wire (white or center wire) of power supply cable under the center screw of terminal block (hook facing right). Squeeze hooked end together. Tighten screw.



1. ¼ in. (1.9 cm) UL-listed strain relief
2. Green or bare copper wire of power supply cord
3. External ground connector
4. Center silver-colored terminal block screw
5. Neutral wire (white or center wire)
6. Neutral grounding wire (green/yellow)

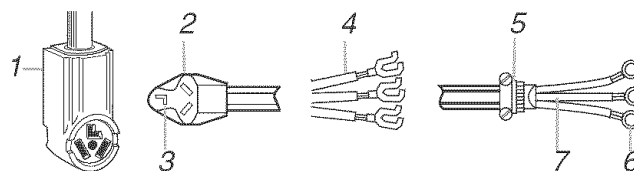
5. Place the hooked ends of the other power supply cable wires under the outer terminal block screws (hooks facing right). Squeeze hooked ends together. Tighten screws.



6. Tighten strain relief screws.
7. Insert tab of terminal block cover into slot of dryer rear panel. Secure cover with hold-down screw.

## 3-wire connection: Power Supply Cord

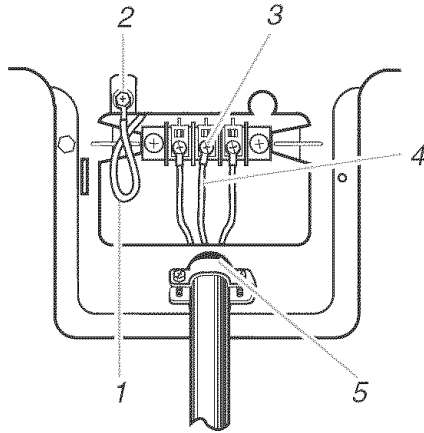
Use where local codes permit connecting cabinet-ground conductor to neutral wire:



1. 3-wire receptacle (NEMA type 10-30R)
2. 3-wire plug
3. Neutral prong
4. Spade terminals with upturned ends
5. ¼ in. (1.9 cm) UL approved strain relief
6. Ring terminals
7. Neutral (white or center wire)

1. Loosen or remove center terminal block screw.

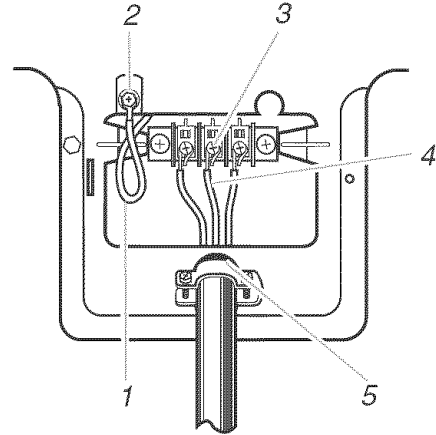
- Connect neutral wire (white or center wire) of power supply cord to the center, silver colored terminal screw of the terminal block. Tighten screw.



- Neutral grounding wire (green/yellow)
- External ground connector
- Center silver-colored terminal block screw
- Neutral wire (white or center wire)
- $\frac{3}{4}$  in. (1.9 cm) UL-listed strain relief

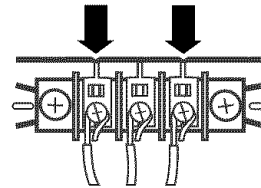
- Connect the other wires to outer terminal block screws. Tighten screws.
- Tighten strain relief screws.
- Insert tab of terminal block cover into slot of dryer rear panel. Secure cover with hold-down screw.

- Place the hooked end of the neutral wire (white or center wire) of power supply cable under the center screw of terminal block (hook facing right). Squeeze hooked end together. Tighten screw.



- Neutral grounding wire (green/yellow)
- External ground connector
- Center silver-colored terminal block screw
- Neutral wire (white or center wire)
- $\frac{3}{4}$  in. (1.9 cm) UL-listed strain relief

- Place the hooked ends of the other power supply cable wires under the outer terminal block screws (hooks facing right). Squeeze hooked ends together. Tighten screws.



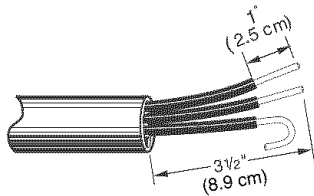
- Tighten strain relief screws.
- Insert tab of terminal block cover into slot of dryer rear panel. Secure cover with hold-down screw.

### 3-wire connection: Direct Wire

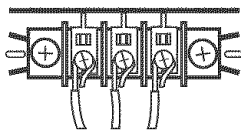
Use where local codes permit connecting cabinet-ground conductor to neutral wire.

Direct wire cable must have 5 ft (1.52 m) of extra length so dryer can be moved if needed.

Strip  $3\frac{1}{2}$  in. (8.9 cm) of outer covering from end of cable. Strip insulation back 1 in. (2.5 cm). If using 3-wire cable with ground wire, cut bare wire even with outer covering. Bend ends of wires into a hook shape.



When connecting to the terminal block, place the hooked end of the wire under the screw of the terminal block (hook facing right), squeeze hooked end together and tighten screw.

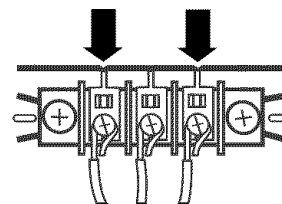


- Loosen or remove center terminal block screw.

### Optional 3-wire connection

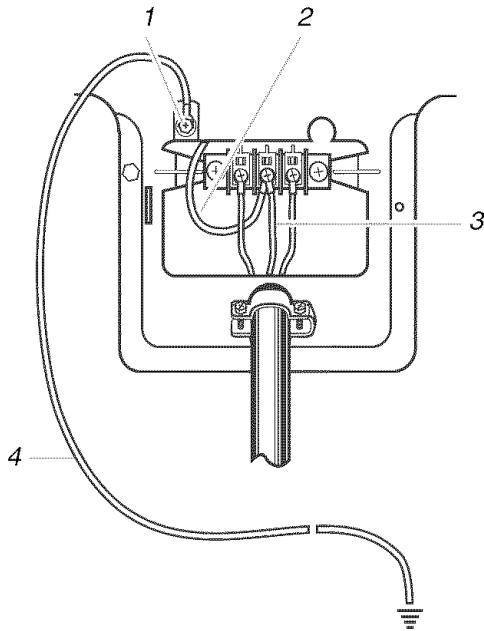
Use for direct wire or power supply cord where local codes do not permit connecting cabinet-ground conductor to neutral wire.

- Remove center terminal block screw.
- Remove appliance ground wire (green with yellow stripes) from external ground connector screw. Connect appliance ground wire and the neutral wire (white or center wire) of power supply cord/cable under center, silver colored terminal block screw. Tighten screw.
- Connect the other wires to outer terminal block screws. Tighten screws.



- Tighten strain relief screws.

5. Insert tab of terminal block cover into slot of dryer rear panel. Secure cover with hold-down screw.
6. Connect a separate copper ground wire from the external ground connector screw to an adequate ground.



1. External ground connector
2. Neutral grounding wire (green/yellow)
3. Neutral wire (white or center wire)
4. Grounding path determined by a qualified electrician

- The dryer exhaust must not be connected into any gas vent, chimney, wall, ceiling, or a concealed space of a building.
- Do not use an exhaust hood with a magnetic latch.
- Do not install flexible metal vent in enclosed walls, ceilings or floors.
- Use clamps to seal all joints. Exhaust vent must not be connected or secured with screws or other fastening devices which extend into the interior of the duct. Do not use duct tape.

**IMPORTANT:** Observe all governing codes and ordinances.

**Improper venting can cause moisture and lint to collect indoors, which may result in:**

- Moisture damage to woodwork, furniture, paint, wall-paper, carpets, etc.
- Housecleaning problems and health problems.

Use a heavy metal vent. Do not use plastic or metal foil vent. Rigid metal vent is recommended to prevent crushing and kinking. Flexible metal vent must be fully extended and supported when the dryer is in its final position. Remove excess flexible metal vent to avoid sagging and kinking that may result in reduced airflow and poor performance.

An exhaust hood should cap the vent to prevent rodents and insects from entering the home.

Exhaust hood must be at least 12 in. (30.5 cm) from the ground or any object that may be in the path of the exhaust (such as flowers, rocks or bushes, etc.).

If using an existing vent system, clean lint from the entire length of the system and make sure exhaust hood is not plugged with lint. Replace any plastic or metal foil vent with rigid metal or flexible metal vent.

## Venting Requirements

### ⚠ WARNING



#### Fire Hazard

- Use a heavy metal vent.
- Do not use a plastic vent.
- Do not use a metal foil vent.
- Failure to follow these instructions can result in death or fire.

**WARNING:** To reduce the risk of fire, this dryer **MUST BE EXHAUSTED OUTDOORS.**

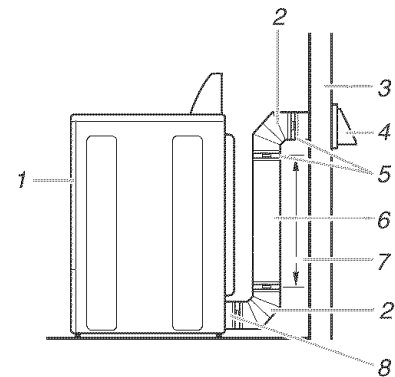
4 in. (10.2 cm) heavy metal exhaust vent and clamps must be used. DURASAFE™ venting products are recommended.

DURASAFE™ vent products can be purchased from your local Sears store or Sears Service Center. For more information, call 1-800-4-MY-HOME® (1-800-469-4663).

## Plan Vent System

### Typical exhaust installations

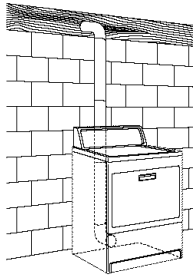
Typical installations vent the dryer from the rear of the dryer.



1. Dryer
2. Elbow
3. Wall
4. Exhaust hood
5. Clamps
6. Rigid metal or flexible metal vent
7. Vent length necessary to connect elbows
8. Exhaust outlet

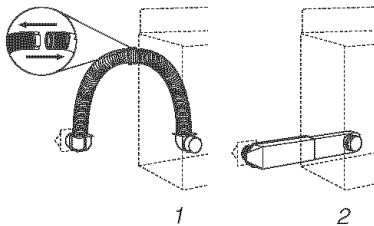


## Standard exhaust installation with rigid metal or flexible metal vent



## Alternate installations for close clearances

Venting systems come in many varieties. Select the type best for your installation. Two close-clearance installations are shown. Refer to the manufacturer's instructions.



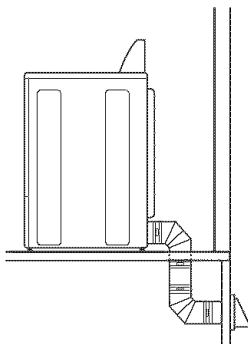
1. Over-The-Top installation (also available with one offset elbow)
2. Periscope installation

**NOTE:** The following kits for close clearance alternate installations are available for purchase. Call **1-800-4-MY-HOME® (1-800-469-4663)**.

- Over-The-Top Installation:  
Part Number 26-49900
- Periscope Installation (For use with dryer vent to wall vent mismatch):  
Part Number 26-49901 - Less than 5 in. (12.7 cm) mismatch  
Part Number 26-49908 - 5 in. (12.7 cm) to 18 in. (45.72 cm) mismatch  
Part Number 26-49904 - 18 in. (45.72 cm) to 29 in. (73.66 cm) mismatch  
Part Number 26-49905 - 29 in. (73.66 cm) to 50 in. (127 cm) mismatch

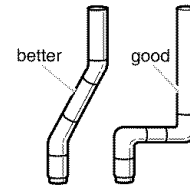
## Special provisions for mobile home installations

The exhaust vent must be securely fastened to a noncombustible portion of the mobile home structure and must not terminate beneath the mobile home. Terminate the exhaust vent outside.



## Determine Vent Length

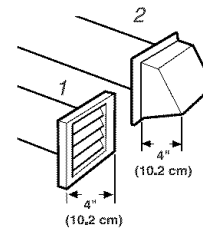
1. Select the route that will provide the straightest and most direct path outdoors. Plan the installation to use the fewest number of elbows and turns. When using elbows or making turns, allow as much room as possible. Bend vent gradually to avoid kinking. Avoid 90° turns.



2. Determine vent length.  
The maximum length of the exhaust system depends upon:

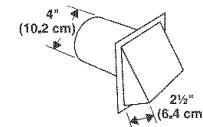
- The type of vent (rigid metal or flexible metal).
- The number of elbows used.
- Type of hood.

Recommended hood styles are shown here.



1. Louvered hood style
2. Box hood style

The angled hood style (shown following) is acceptable.



See the exhaust vent length chart that matches your hood type for the maximum vent lengths you can use.

Exhaust systems longer than specified will:

- Shorten the life of the dryer.
- Reduce performance, resulting in longer drying times and increased energy usage.

3. Determine the number of elbows you will need.

**NOTE:** Do not use vent runs longer than specified in the Vent Length Chart.

The following chart helps you determine your maximum vent length based on the number of 90° turns or elbows you will need and the type of vent (rigid or flexible metal) and hood that you will use.

## Vent Length Chart

Number of 90° turns or elbows	Type of vent	Box or Louvered hoods	Angled hoods
0	Rigid metal	64 ft (20 m)	58 ft (17.7 m)
	Flexible metal	36 ft (11 m)	28 ft (8.5 m)
1	Rigid metal	54 ft (16.5 m)	48 ft (14.6 m)
	Flexible metal	31 ft (9.4 m)	23 ft (7 m)
2	Rigid metal	44 ft (13.4 m)	38 ft (11.6 m)
	Flexible metal	27 ft (8.2 m)	19 ft (5.8 m)
3	Rigid metal	35 ft (10.7 m)	29 ft (8.8 m)
	Flexible metal	25 ft (7.6 m)	17 ft (5.2 m)
4	Rigid metal	27 ft (8.2 m)	21 ft (6.4 m)
	Flexible metal	23 ft (7 m)	15 ft (4.6 m)

## Install Vent System

- (Optional) Put on safety glasses and gloves.
- Install exhaust hood. Use caulking compound to seal exterior wall opening around exhaust hood.
- Connect vent to exhaust hood. Vent must fit inside exhaust hood. Secure vent to exhaust hood with 4 in. (10.2 cm) clamp.
- Run vent to dryer location. Use the straightest path possible. See "Determine Vent Length." Avoid 90° turns. Use clamps to seal all joints. Do not use duct tape, screws or other fastening devices that extend into the interior of the vent to secure vent.

## Install Leveling Legs

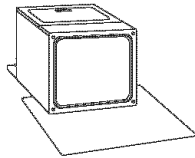
### **⚠ WARNING**

#### Excessive Weight Hazard

Use two or more people to move and install dryer.

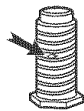
Failure to do so can result in back or other injury.

- To protect the floor, use a large flat piece of cardboard from the dryer carton. Place cardboard under the entire back edge of the dryer. See illustration.
- Firmly grasp the body of the dryer (not the top or console panel).



Gently lay the dryer on the cardboard.

- Examine the leveling legs. Find the diamond marking.

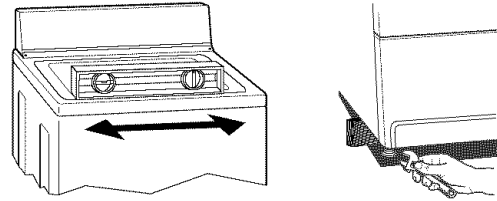


- Screw the legs into the leg holes by hand. Use a wrench to finish turning the legs until the diamond marking is no longer visible.

- Place a carton corner post under each of the 2 dryer back corners. Stand the dryer up. Slide the dryer on the corner posts until it is close to its final location. Leave enough room to connect the exhaust vent.
- Once connection is made and dryer is in final location, remove corner posts and cardboard.

## Level Dryer

Check the levelness of the dryer. Check levelness first side-to-side, then front-to-back.



If the dryer is not level, prop up the dryer using a wood block. Use a wrench to adjust the legs up or down and check again for levelness.

**NOTE:** It might be necessary to level the dryer again after it is moved into its final position.

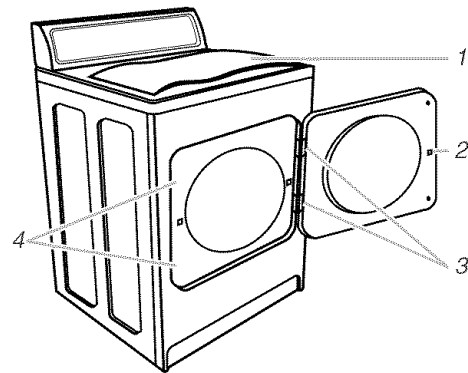
## Connect Vent

- Using a 4 in. (10.2 cm) clamp, connect vent to exhaust outlet in dryer. If connecting to existing vent, make sure the vent is clean. The dryer vent must fit over the dryer exhaust outlet and inside the exhaust hood. Make sure the vent is secured to exhaust hood with a 4 in. (10.2 cm) clamp.
- Move dryer into final position. Do not crush or kink vent. Make sure dryer is level.
- (On gas models) Check to be sure there are no kinks in the flexible gas line.

## Reverse Door Swing (Optional)

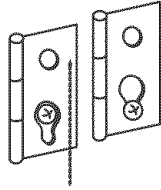
You can change your door swing from a right-side opening to a left-side opening, if desired.

### Reversible Large Side-Swing Door



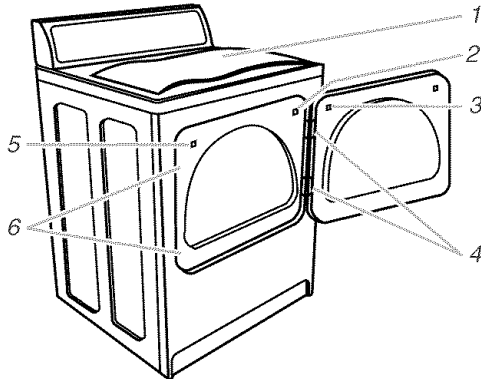
- Place towel (1) on top of dryer to protect surface.
- Open dryer door. Remove bottom screws from cabinet side of hinges (3). Loosen (do not remove) top screws from cabinet side of hinges.
- Lift door until top screws in cabinet are in large part of hinge slot. Pull door forward off screws. Set door on top of dryer. Remove top screws from cabinet.
- Use a small, flat-blade screwdriver to carefully remove 4 hinge hole plugs (4) on left side of cabinet. Insert plugs in hinge holes on right side of cabinet.

5. Insert screws in bottom holes on left side of cabinet. Tighten screws halfway. Position door so large end of door hinge slot is over screws. Slide door up so screws are in bottom of slots. Tighten screws. Insert and tighten top screws in hinges.

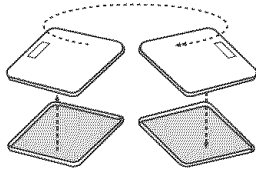


6. Close door and check that door strike aligns with door catch (2). If needed, slide door catch left or right within slot to adjust alignment.

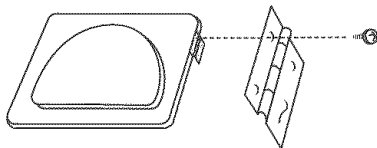
### Reversible Super Wide Side-Swing Door



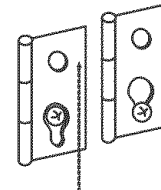
1. Place towel (1) on top of dryer to protect surface.
2. Open dryer door. Remove bottom screws from cabinet side of hinges (4). Loosen (do not remove) top screws from cabinet side of hinges.
3. Lift door until top screws in cabinet are in large part of hinge slot. Pull door forward off screws. Set door (handle side up) on top of dryer. Remove top screws from cabinet.
4. Remove screws attaching hinges to door.
5. Remove screws at top, bottom and side of door (4 screws). Holding door over towel on dryer, grasp sides of outer door and carefully lift to separate it from inner door. Do NOT pry apart with putty knife. Do NOT pull on door seal or plastic door catches.
6. Be careful to keep cardboard spacer centered between doors. Reattach outer door panel to inner door panel so handle is on the side where hinges were just removed.



7. Attach door hinges to door so large part of hinge slot is at bottom of hinge.



8. Remove door strike (5) from cabinet. Use a small, flat-blade screwdriver to carefully remove 4 hinge hole plugs (6) on left side of cabinet. Insert plugs in hinge holes on right side of cabinet.
9. Insert screws in bottom holes on left side of cabinet. Tighten screws halfway. Position door so large end of door hinge slot is over screws. Slide door up so screws are in bottom of slots. Tighten screws. Insert and tighten top screws in hinges.



10. Remove door strike plug (2). Insert the door strike you removed in Step 8 in hole and secure with screw. Insert door strike plug in original door strike hole and secure with screw.
11. Close door and check that door strike aligns with door catch (3). If needed, slide door catch left or right within slot to adjust alignment.

## Complete Installation

1. Check to be sure all parts are now installed. If there is an extra part, go back through the steps to see which step was skipped.
2. Check to be sure you have all of your tools.
3. Dispose of all packaging materials.
4. Check the dryer's final location. Be sure the vent is not crushed or kinked.
5. Check to be sure the dryer is level. (See "Level Dryer.")
6. Plug into a grounded outlet. Turn power on.
7. Remove the blue protective film on the console and any tape remaining on the dryer.
8. Read your "Dryer User Instructions."
9. Wipe the dryer drum interior thoroughly with a damp cloth to remove any dust.
10. Set the dryer on a full heat cycle (not an air cycle) for 20 minutes and start the dryer.

### If the dryer will not start, check the following:

- Controls are set in a running or "On" position.
- Start button has been pushed firmly.
- Dryer is plugged into a grounded outlet.
- Electrical supply is connected.
- House fuse is intact and tight; or circuit breaker has not tripped.
- Dryer door is closed.

11. When the dryer has been running for 5 minutes, open the dryer door and feel for heat.

### If you do not feel heat, turn the dryer off and check the following:

- There may be 2 fuses or circuit breakers for the dryer. Check to make sure both fuses are intact and tight, or that both circuit breakers have not tripped. If there is still no heat, contact a qualified technician.

**NOTE:** You may notice a burning odor when the dryer is first heated. This odor is common when the heating element is first used. The odor will go away.

# INSTRUCCIONES DE INSTALACIÓN PARA LA SECADORA ELÉCTRICA DE 29 PULG. (73,7 CM)

## SEGURIDAD DE LA SECADORA

### Su seguridad y la seguridad de los demás es muy importante.

Hemos incluido muchos mensajes importantes de seguridad en este manual y en su electrodoméstico. Lea y obedezca siempre todos los mensajes de seguridad.



Este es el símbolo de advertencia de seguridad.

Este símbolo le llama la atención sobre peligros potenciales que pueden ocasionar la muerte o una lesión a usted y a los demás.

Todos los mensajes de seguridad irán a continuación del símbolo de advertencia de seguridad y de la palabra "PELIGRO" o "ADVERTENCIA". Estas palabras significan:

**⚠ PELIGRO**

Si no sigue las instrucciones de inmediato, usted puede morir o sufrir una lesión grave.

**⚠ ADVERTENCIA**

Si no sigue las instrucciones, usted puede morir o sufrir una lesión grave.

Todos los mensajes de seguridad le dirán el peligro potencial, le dirán cómo reducir las posibilidades de sufrir una lesión y lo que puede suceder si no se siguen las instrucciones.

## INSTRUCCIONES DE INSTALACIÓN

### Herramientas y piezas

Verifique si tiene todo lo necesario para una instalación correcta. La instalación adecuada es responsabilidad suya.

- Destornillador de cuchilla plana
- Tijeras de lata (instalaciones del nuevo conducto de ventilación)
- Llave de tuercas ajustable que se abra a 1 pulg. (2,5 cm) o una llave de cubo de cabeza hexagonal (para regular las patas de la secadora)
- Lentes de seguridad
- Nivel
- Pistola y masilla para calafateo (para instalar el nuevo ducto de escape)
- Destornillador Phillips # 2
- Guantes
- Abrazaderas para ducto
- Desforador de alambre (instalaciones de cableado directo)

### Piezas suministradas:

Retire el paquete de piezas del tambor de la secadora. Verifique que estén todas las piezas.



4 patas niveladoras

### Piezas para adquirir:

Verifique los códigos locales. Verifique el suministro eléctrico existente y la ventilación y vea "Requisitos eléctricos" y "Requisitos de ventilación" antes de comprar las piezas.

Las instalaciones en casas rodantes necesitan artículos de ferretería para sistemas de ventilación de metal que se pueden comprar en su tienda Sears o en el centro de servicio técnico Sears de su localidad. Para más información, llame por favor **1-800-4-MY-HOME® (1-800-469-4663)**.

### Requisitos de localización

**⚠ ADVERTENCIA**



#### Peligro de Explosión

Mantenga los materiales y vapores inflamables, como gasolina, lejos de la secadora.

Coloque la secadora a un mínimo de 46 cm sobre el piso para la instalación en un garaje.

No seguir estas instrucciones puede ocasionar la muerte, explosión o incendio.

### Usted necesitará

- Una localización que permita una instalación adecuada del ducto de escape. Consulte "Requisitos de ventilación".
- Un circuito separado de 30 amperios.
- Un contacto con conexión a tierra ubicado a unos 2 pies (61 cm) de cualquiera de los lados de la secadora. Vea "Requisitos eléctricos".

- Un piso resistente para soportar la secadora con un peso total (secadora y carga) de 200 lbs (90,7 kgs). Asimismo se debe considerar el peso de otro artefacto que la acompañe.
- Un piso nivelado con un declive máximo de 1 pulg. (2,5 cm) debajo de la secadora completa. (Si el declive es mayor que una pulg. [2,5 cm], instale el Juego de extensión de patas de la secadora, Pieza No. 279810.) Si la secadora no está nivelada, la ropa quizás no rote adecuadamente y los ciclos del sensor automático posiblemente no funcionen debidamente.

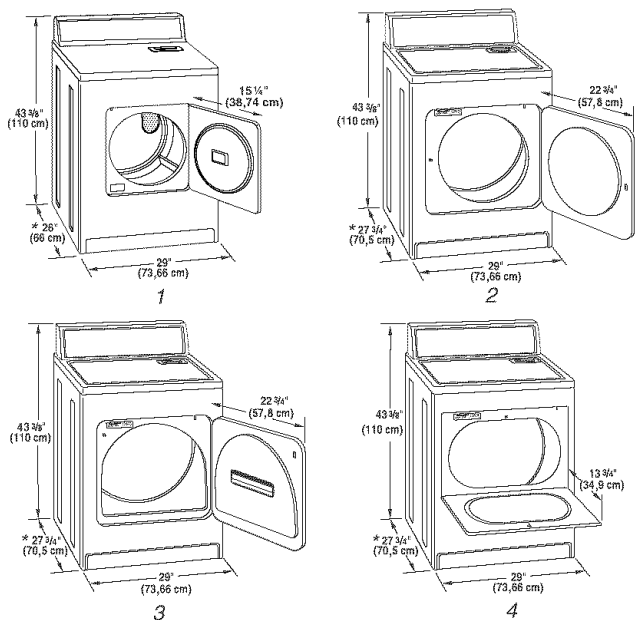
No ponga a funcionar su secadora a temperaturas inferiores a 45°F (7°C). A temperaturas inferiores, es posible que la secadora no se apague al final de un ciclo automático. Los tiempos de secado pueden prolongarse.

Instale la secadora donde esté protegida del agua y/o el clima. Verifique los requisitos de los códigos. Algunos códigos limitan, o no permiten, la instalación de la secadora en garajes, clósets, casas rodantes o en dormitorios. Póngase en contacto con el inspector de construcciones de su localidad.

### Espacios de instalación

La ubicación debe ser lo suficientemente grande para poder abrir completamente la puerta de la secadora.

### Dimensiones de la secadora



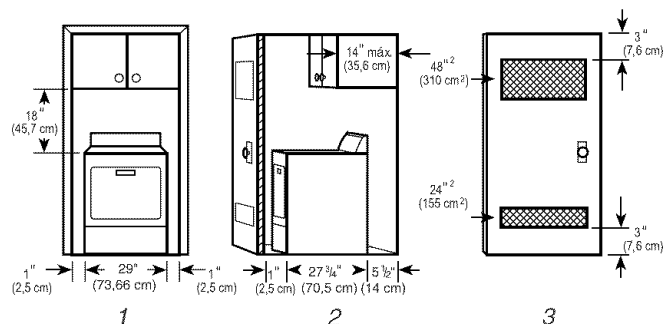
1. Puerta chica de apertura lateral
2. Puerta grande de apertura lateral
3. Puerta ancha de apertura lateral
4. Puerta ancha de apertura vertical

\* La mayoría de las instalaciones requieren un espacio mínimo de 5½ pulg. (14 cm) detrás de la secadora para acomodar el ducto de escape con codo. Vea "Requisitos de ventilación".

### Espacio mínimo para la instalación en un lugar empotrado o en un clóset

Las siguientes dimensiones ilustradas son para el espacio mínimo permitido.

- Debe considerarse el espacio adicional para facilitar la instalación y el servicio técnico.
- Se podrían necesitar espacios libres adicionales para la pared y las molduras de la puerta y del piso.
- Se recomienda un espacio adicional de 1 pulg. (2,5 cm) en todos los lados de la secadora para reducir la transferencia de ruido.
- Para la instalación en clóset, con una puerta, se requieren aberturas de ventilación mínimas en la parte superior e inferior de la puerta. Se aceptan puertas tipo persianas con aberturas de ventilación equivalentes.
- También se debe considerar espacio adicional para otro electrodoméstico que le acompañe.



1. Lugar empotrado
2. Vista lateral - clóset o lugar confinado
3. Puerta del clóset con orificios de ventilación

### Requisitos de instalación adicionales para las casas rodantes

Esta secadora es apropiada para instalaciones en casas rodantes. La instalación debe ajustarse al Estándar de seguridad y construcción de casas fabricadas, Título 24 CFR, Parte 3280 (anteriormente conocido como Estándar federal para la seguridad y construcción de casas rodantes, Título 24, HUD Parte 280).

#### Las instalaciones en casas rodantes necesitan:

- Herramientas del sistema de escape de metal, que se encuentran disponibles para ser compradas en su distribuidor.
- Se deben tomar medidas especiales en el caso de casas rodantes para introducir el aire del exterior en la secadora. La abertura (como la de una ventana adyacente) deberá ser por lo menos el doble de tamaño que la abertura de ventilación de la secadora.

## Requisitos eléctricos

### Usted es responsable de:

- Ponerse en contacto con un instalador eléctrico calificado.
- Asegurarse de que la conexión eléctrica sea adecuada y de conformidad con el Código Nacional Eléctrico, ANSI/NFPA 70 - última edición y con todos los códigos y ordenanzas locales.

Usted puede obtener una copia de todas las normas arriba indicadas en:

National Fire Protection Association, Batterymarch Park, Quincy, MA 02269.

- Proveer el suministro eléctrico requerido de 3 ó 4 alambres, monofásico, de 120/240 voltios, 60 Hz, CA solamente (o un suministro eléctrico de 3 ó 4 alambres, de 120/208 voltios, si se especifica en la placa indicadora de corriente/de la serie) en un circuito separado de 30 amperios, protegido con fusibles en ambos lados de la línea. Se recomienda un fusible retardador o un cortacircuitos. Conéctela a un circuito derivado individual. No tenga un fusible en el circuito neutro o de conexión a tierra.
- No use un cable eléctrico de extensión.
- Si los códigos lo permiten y se emplea un alambre de conexión a tierra separado, es recomendable que un electricista calificado determine si la trayectoria de conexión a tierra es adecuada.

### Conexión eléctrica

Para instalar su secadora adecuadamente, usted debe determinar el tipo de conexión eléctrica que va a usar y seguir las instrucciones que aquí se proveen para el caso.

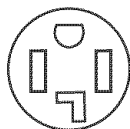
- Si los códigos locales no permiten la conexión de un conector para conexión a tierra del equipo al alambre neutro, vea "Conexión opcional de 3 hilos".
- Esta secadora está equipada con un conductor de conexión a tierra del equipo, con alambre de 3 hilos, conectado al alambre NEUTRO (alambre blanco o central) del mazo de conductores que está en el bloque de terminal.
- Use un cable conductor de 4 alambres cuando se instale la secadora en una casa rodante o un área donde los códigos locales no permiten la conexión a tierra mediante el alambre neutro.

### Si emplea un cable de suministro eléctrico:

Use un juego aprobado de UL para cable de suministro eléctrico que esté marcado para ser usado en secadoras de ropa. El juego deberá contener:

- Un cable de suministro eléctrico de 30 amperios aprobado de UL, con 120/240 voltios mínimo. El cable deberá ser del tipo SRD o SRDT y deberá tener un largo de por lo menos 4 pies (1,22 m). Los hilos que conectan con la secadora deberán terminar en terminales de anillo o de horquilla con los extremos hacia arriba.
- Un protector de cables aprobado de UL.

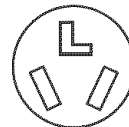
### Si el contacto de pared luce como éste:



Contacto de 4 alambres (14-30R)

Entonces elija un cable de suministro eléctrico de 4 alambres con terminales de anillo o de horquilla y con protector de cables aprobado de UL. El cable de suministro eléctrico de 4 hilos, de por lo menos 4 pies (1,22 m) de largo, deberá tener 4 hilos de cobre sólido de calibre 10 y coincidir con un receptáculo de 4 hilos tipo NEMA 14-30 R. El hilo de conexión a tierra (conductor a tierra) puede ser verde o desnudo. El conductor neutro debe ser identificado con una cubierta blanca.

### Si el contacto de pared luce como éste:



Contacto de 3 alambres (10-30R)

Entonces elija un cable de suministro eléctrico de 3 alambres con terminales de anillo o de horquilla y con protector de cables aprobado de UL. El cable de suministro eléctrico de 3 hilos, de por lo menos 4 pies (1,22 m) de largo, deberá tener 3 hilos de cobre sólido de calibre 10 y coincidir con un receptáculo de 3 hilos tipo NEMA 10-30 R.

### Si hace la conexión con cableado directo:

El cable de suministro eléctrico debe ser igual al del suministro eléctrico (de 4 alambres o de 3 alambres) y debe ser:

- Cable blindado flexible o cable de cobre forrado no metálico (con alambre puesto a tierra), protegido con un conducto metálico flexible. Todos los alambres conductores de corriente deben estar aislados.
- Alambre de cobre sólido de calibre 10 (no utilice aluminio.)
- Por lo menos 5 pies (1,52 m) de largo.

### INSTRUCCIONES PARA LA CONEXIÓN A TIERRA

- Para la conexión de una secadora mediante cable eléctrico conectado a tierra:

Esta secadora debe estar conectada a tierra. En el caso de funcionamiento defectuoso o avería, la conexión a tierra reducirá el riesgo de choque eléctrico al proporcionar una vía de menor resistencia para la corriente eléctrica. Esta secadora usa un cable que cuenta con un conductor para la conexión a tierra del equipo y un enchufe de conexión a tierra. El enchufe debe conectarse en un contacto apropiado, que esté debidamente instalado y conectado a tierra de acuerdo con todos los códigos y ordenanzas locales.

- Para la conexión permanente de una secadora:

Esta secadora debe estar conectada a un sistema de cableado de metal permanente, conectado a tierra, o se debe tender un conducto para la conexión a tierra del equipo con los conductores de circuito y conectado al terminal de tierra del equipo o al conductor de suministro de la secadora.

**ADVERTENCIA:** La conexión indebida del conductor para la conexión a tierra del equipo puede ocasionar un riesgo de choque eléctrico. Verifique con un electricista, representante o personal de servicio técnico calificado para asegurarse de que la conexión a tierra de la secadora sea apropiada. No modifique el enchufe que viene con el cable eléctrico. Si no encaja en el contacto, contrate un electricista calificado para que instale un contacto adecuado.

**GUARDE ESTAS INSTRUCCIONES**

## Conexión Eléctrica

### Cable de suministro eléctrico

#### ⚠ ADVERTENCIA



##### Peligro de Incendio

Use un cable de suministro eléctrico nuevo de 30 amperes con aprobación UL.

Use un protector de cables con aprobación UL.

Desconecte el suministro eléctrico antes de hacer las conexiones eléctricas.

Conecte el alambre neutro (el blanco o el del centro) al terminal central (plateada).

El alambre de tierra (el verde o el no aislado) se debe conectar con el conector verde de tierra.

Conecte los 2 alambres de suministro restantes con las 2 terminales restantes (las doradas).

Apriete firmemente todas las conexiones eléctricas.

No seguir estas instrucciones puede causar la muerte, incendio, o choque eléctrico.

### Cable directo

#### ⚠ ADVERTENCIA



##### Peligro de Incendio

Utilice alambres de cobre sólido de ancho 10.

Use un protector de cables con aprobación UL.

Desconecte el suministro eléctrico antes de hacer las conexiones eléctricas.

Conecte el alambre neutro (el blanco o el del centro) al terminal central (plateada).

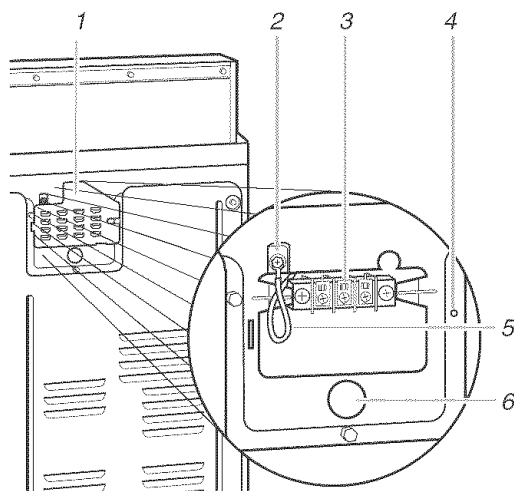
El alambre de tierra (el verde o el no aislado) se debe conectar con el conector verde de tierra.

Conecte los 2 alambres de suministro restantes con las 2 terminales restantes (las doradas).

Apriete firmemente todas las conexiones eléctricas.

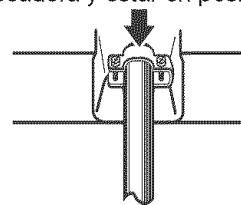
No seguir estas instrucciones puede causar la muerte, incendio o choque eléctrico.

1. Desconecte la energía.
2. Quite el tornillo de sujeción y la cubierta del bloque de terminal.



1. Cubierta del bloque de terminal
2. Conector a tierra externo
3. Tornillo del bloque de terminal de color plateado, del centro
4. Ubicación del tornillo de sujeción
5. Alambre de conexión a tierra neutro (verde/amarillo)
6. Orificio debajo de la abertura del bloque de terminal

3. Monte un protector de cables aprobado de UL de 3/4 de pulg. (1,9 cm) (el protector de cables tiene la marca de UL) en el orificio que está debajo de la abertura del bloque de terminal. Ajuste los tornillos del protector de cables lo suficiente para mantener las dos secciones de la abrazadera juntas. Haga pasar el cable de suministro eléctrico a través del protector de cables. El protector de cables deberá encajar bien con el gabinete de la secadora y estar en posición horizontal.



4. Ahora termine la instalación siguiendo las instrucciones para el tipo de su conexión eléctrica:  
Alambre de 4 hilos (se recomienda)  
Alambre de 3 hilos (si no dispone de alambre de 4 hilos)

#### Opciones para la conexión eléctrica

##### Si su casa tiene:

Un contacto de 4 hilos (Tipo NEMA 14-30R)

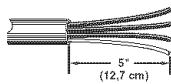

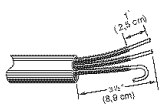


##### Y usted va a conectar con:

Un cordón de suministro eléctrico para secadora, aprobado de UL, de 120/240 voltios mínimo y 30 amperios\*

##### Vaya a la sección

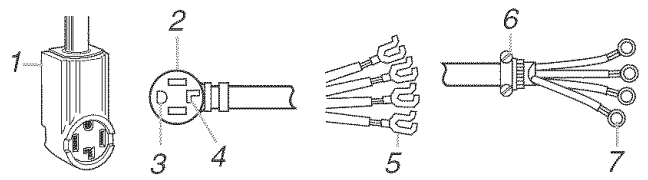
Conexión de 4 hilos:  
Cordón de suministro eléctrico

Si su casa tiene:	Y usted va a conectar con:	Vaya a la sección
Cable directo de 4 hilos 	Un desconector con fusible o una caja de disyuntor*	Conexión de 4 hilos: Cable directo
Contacto de 3 hilos (Tipo NEMA 10-30R) 	Un cordón de suministro eléctrico para secadora, aprobado de UL, de 120/240 voltios mínimo y 30 amperios*	Conexión de 3 hilos: Cordón de suministro eléctrico
Cable directo de 3 hilos 	Un desconector con fusible o una caja de disyuntor*	Conexión de 3 hilos: Cable directo

\* Si los códigos locales no permiten la conexión de un conductor de conexión a masa al cable neutro, prosiga a la sección "Conexión opcional de 3 hilos".

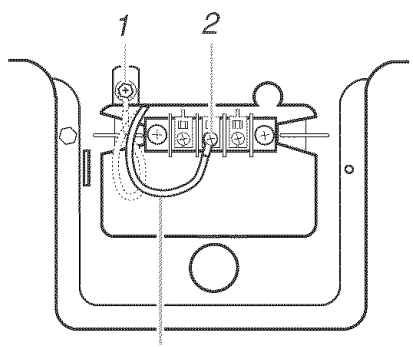
### Conexión de 4 hilos: Cordón de suministro eléctrico

**IMPORTANTE:** Se necesita una conexión de alambre de 4 hilos para las casas rodantes y para los casos en que los códigos locales no permitan el uso de conexiones de 3 hilos.



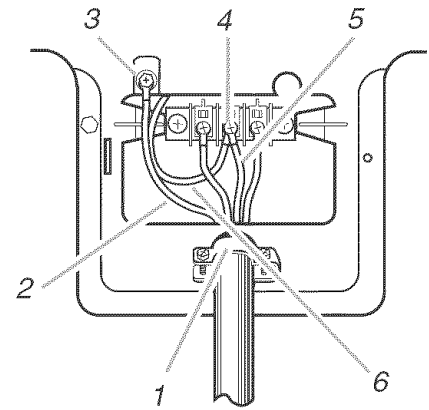
1. Contacto de cuatro hilos (tipo NEMA 14-30R)
2. Enchufe de 4 terminales
3. Terminal de conexión a tierra
4. Terminal de conexión a neutro
5. Terminales de horquilla con los extremos hacia arriba
6. Protector de cables aprobado de UL, de 3/4 de pulg. (1,9 cm)
7. Terminales anulares

1. Saque el tornillo central del bloque de terminal.
2. Saque el hilo de tierra del aparato (verde con rayas amarillas) del tornillo conector de tierra externo. Fíjelo debajo del tornillo central de color plateado del bloque de terminal.



1. Conector de tierra externo – La línea punteada ilustra la posición del hilo de tierra NEUTRO antes de moverlo al tornillo central del bloque de terminal
2. Tornillo central de color plateado del bloque de terminal
3. Hilo verde/amarillo del mazo de conductore

3. Conecte el hilo de tierra (verde o desnudo) del cable de suministro eléctrico al tornillo conector de tierra externo. Apriete el tornillo.
4. Conecte el hilo neutro (hilo blanco o central) del cable de suministro eléctrico debajo del tornillo central del bloque de terminal.



1. Protector de cables aprobado por UL de 3/4 pulg. (1,9 cm)
2. Hilo verde del cable de suministro eléctrico o hilo de cobre desnudo
3. Conector de tierra externo
4. Tornillo central de color plateado del bloque de terminal
5. Hilo neutro (hilo blanco o central)
6. Hilo neutro de puesta a tierra (verde/amarillo)

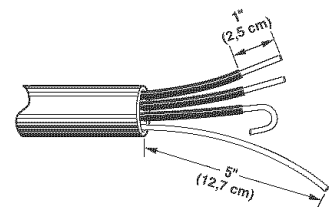
5. Conecte los otros hilos a los tornillos exteriores del bloque de terminal. Apriete los tornillos.
6. Apriete los tornillos del protector de cables.
7. Introduzca la lengüeta de la cubierta del bloque de terminal en la ranura del panel posterior de la secadora. Asegure la cubierta con el tornillo de sujeción.

### Conexión de 4 hilos: Cable directo

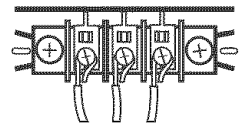
**IMPORTANTE:** Se necesita una conexión de alambre de cuatro hilos para las casas rodantes y para los casos en que los códigos locales no permitan el uso de conexiones de 3 hilos.

El cable de conexión directa debe tener 5 pies (1,52 m) extra de largo para poder mover la secadora si fuese necesario.

Pele 5 pulg. (12,7 cm) de la cubierta exterior desde el extremo del cable, dejando el hilo de tierra desnudo a 5 pulg. (12,7 cm). Corte 1 1/2 pulg. (3,8 cm) de los 3 hilos restantes. Pele el aislamiento 1 pulg. (2,5 cm) hacia atrás. Doble los extremos de los hilos para formar un gancho.

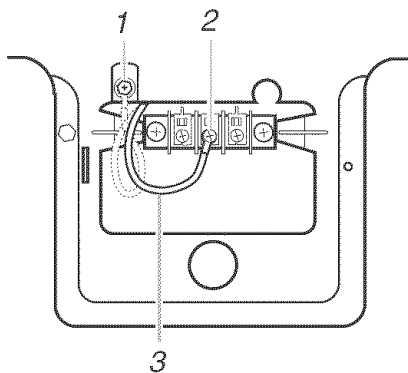


Al conectar el hilo al bloque de terminal, coloque el extremo del hilo en forma de gancho debajo del tornillo del bloque de terminal (con el gancho mirando hacia la derecha). Apriete y junte el extremo en forma de gancho y apriete el tornillo. Vea el ejemplo a continuación.



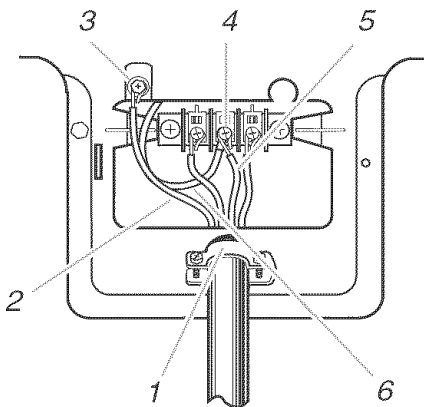


1. Saque el tornillo central del bloque de terminal.
2. Saque el hilo de tierra del aparato (verde con rayas amarillas) del tornillo conector de tierra externo. Fíjelo debajo del tornillo central de color plateado del bloque de terminal.



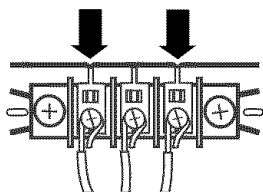
1. Conector de tierra externo – La línea punteada ilustra la posición del hilo de tierra NEUTRO antes de moverlo al tornillo central del bloque de terminal
2. Tornillo central de color plateado del bloque de terminal
3. Hilo verde/amarillo del mazo de conductores

3. Conecte el hilo de tierra (verde o desnudo) del cable de suministro eléctrico al tornillo del conector de tierra externo. Apriete el tornillo.
4. Coloque el extremo del hilo neutro en forma de gancho (hilo blanco o central) del cable de suministro eléctrico debajo del tornillo central del bloque de terminal (con el gancho mirando hacia la derecha). Apriete y junte el extremo enganchado. Apriete el tornillo.



1. Protector de cables aprobado por UL de 3/4 de pulg. (1,9 cm)
2. Hilo verde del cable de suministro eléctrico o hilo de cobre desnudo
3. Conector de tierra externo
4. Tornillo central de color plateado del bloque de terminal
5. Hilo neutro (hilo blanco o central)
6. Hilo neutro de puesta a tierra (verde/amarillo)

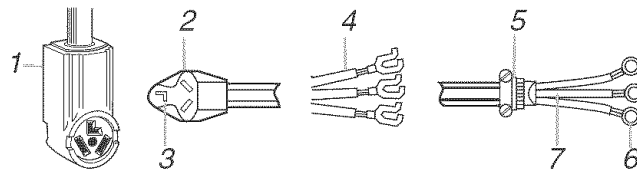
5. Coloque los extremos enganchados de los otros hilos del cable de suministro eléctrico debajo de los tornillos exteriores del bloque de terminal (con los ganchos mirando hacia la derecha). Apriete y junte los extremos enganchados. Apriete los tornillos.



6. Apriete los tornillos del protector de cables.
7. Introduzca la lengüeta de la cubierta del bloque de terminal en la ranura del panel posterior de la secadora. Asegure la cubierta con el tornillo de sujeción.

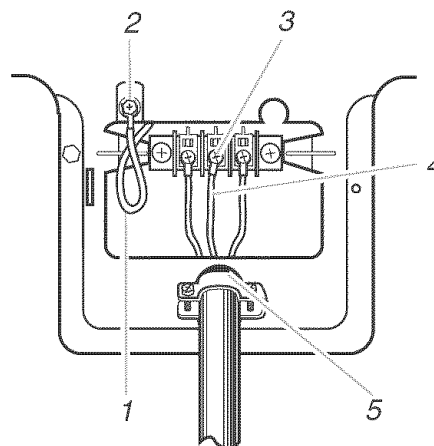
### Conexión de 3 hilos: Cable de suministro eléctrico

Uso cuando los códigos locales permitan la conexión del conductor de tierra del gabinete al hilo neutro:



1. Contacto de 3 hilos (NEMA tipo 10-30R)
2. Enchufe de 3 hilos
3. Terminal de conexión a neutro
4. Terminales de horquilla con extremos hacia arriba
5. Protector de cables aprobado por UL de 3/4 pulg. (1,9 cm)
6. Terminales anulares
7. Neutro (hilo blanco o central)

1. Afloje o saque el tornillo central del bloque de terminal.
2. Conecte el hilo neutro (hilo blanco o central) del cable de suministro eléctrico al tornillo central de color plateado del bloque de terminal. Apriete el tornillo.



1. Hilo neutro de puesta a tierra (verde/amarillo)
2. Conector de tierra externo
3. Tornillo central de color plateado del bloque de terminal
4. Hilo neutro (hilo blanco o central)
5. Protector de cables aprobado por UL de 3/4 pulg. (1,9 cm)

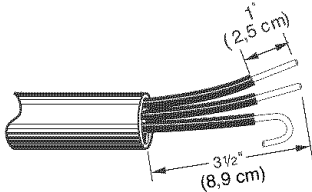
3. Conecte los otros hilos a los tornillos exteriores del bloque de terminal. Apriete los tornillos.
4. Apriete los tornillos del protector de cables.
5. Introduzca la lengüeta de la cubierta del bloque de terminal en la ranura del panel posterior de la secadora. Asegure la cubierta con el tornillo de sujeción.

## Conexión de 3 hilos: Cable directo

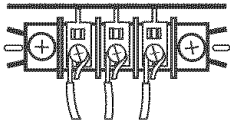
Use cuando los códigos locales permitan la conexión del conductor de tierra del gabinete al hilo neutro.

El cable de conexión directa debe tener 5 pies (1,52 m) extra de largo para poder mover la secadora si fuese necesario.

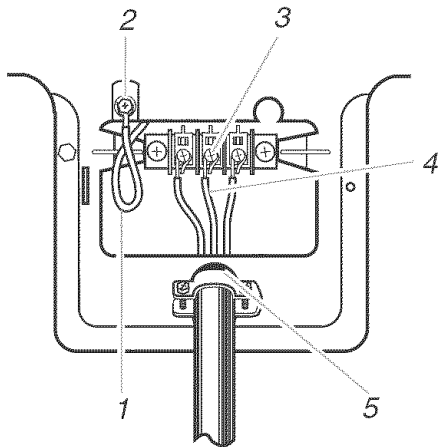
Pele 3½ pulg. (8,9 cm) de la cubierta exterior desde el extremo del cable. Pele el aislamiento 1 pulg. (2,5 cm) hacia atrás. Si usa un cable trifilar con hilo de tierra, corte el hilo desnudo para que quede nivelado con la cubierta exterior. Doble los extremos de los hilos para formar un gancho.



Al conectar el hilo al bloque de terminal, coloque el extremo del hilo en forma de gancho debajo del tornillo del bloque de terminal (con el gancho mirando hacia la derecha). Apriete y junte el extremo en forma de gancho y apriete el tornillo.

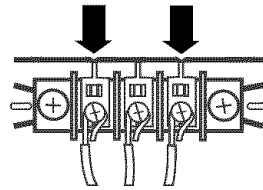


1. Afloje o saque el tornillo central del bloque de terminal.
2. Coloque el extremo en forma de gancho del hilo neutro (hilo blanco o central) del cable de suministro eléctrico debajo del tornillo central del bloque de terminal (con el gancho mirando hacia la derecha). Apriete y junte el extremo enganchado. Apriete el tornillo.



1. Hilo neutro de puesta a tierra (verde/amarillo)
2. Conector de tierra externo
3. Tornillo central de color plateado del bloque de terminal
4. Hilo neutro (hilo blanco o central)
5. Protector de cables aprobado por UL de ¼ in. (1,9 cm)

3. Coloque los extremos enganchados de los otros hilos del cable de suministro eléctrico debajo de los tornillos exteriores del bloque de terminal (con los ganchos mirando hacia la derecha). Apriete y junte los extremos enganchados. Apriete los tornillos.

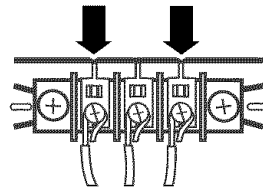


4. Apriete los tornillos del protector de cables.
5. Introduzca la lengüeta de la cubierta del bloque de terminal en la ranura del panel posterior de la secadora. Asegure la cubierta con el tornillo de sujeción.

## Conexión opcional de 3 hilos

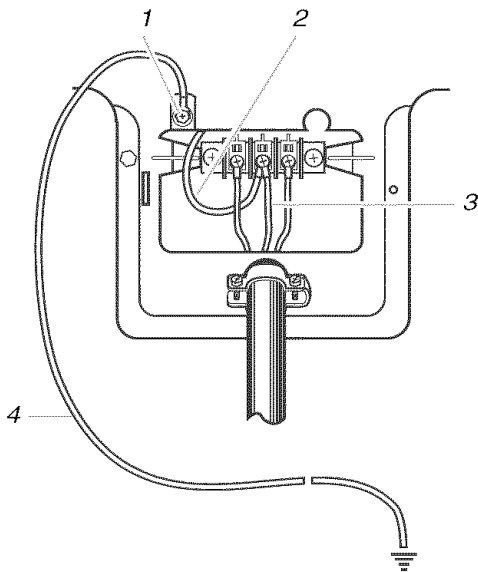
Use para cable directo o cable de suministro eléctrico donde los códigos locales no permitan la conexión del conductor de tierra del gabinete con el hilo neutro.

1. Saque el tornillo central del bloque de terminal.
2. Saque el hilo de tierra del aparato (verde con rayas amarillas) del tornillo conector de tierra externo. Conecte el hilo de tierra del aparato y el hilo neutro (hilo blanco o central) del cordón/cable de suministro eléctrico debajo del tornillo central de color plateado del bloque de terminal. Apriete el tornillo.
3. Conecte los otros hilos a los tornillos exteriores del bloque de terminal. Apriete los tornillos.



4. Apriete los tornillos del protector de cables.
5. Introduzca la lengüeta de la cubierta del bloque de terminal en la ranura del panel posterior de la secadora. Asegure la cubierta con el tornillo de sujeción.

6. Conecte un hilo de tierra de cobre separado desde el tornillo conector de tierra externo a tierra adecuada.



1. Conector de tierra externo  
 2. Hilo neutro de puesta a tierra (verde/amarillo)  
 3. Hilo neutro (hilo blanco o central)  
 4. Camino de puesta a tierra determinado por un electricista capacitado.

- Utilice abrazaderas para sellar todas las juntas. No debe conectarse ni asegurarse el ducto de escape con tornillos ni ningún otro dispositivo que se extienda hacia el interior de dicho ducto. No utilice cinta adhesiva para conductos.

**IMPORTANTE:** Observe todas las normas y ordenanzas vigentes.

**La ventilación inadecuada puede ocasionar la acumulación de humedad y pelusa en la casa, lo cual puede dar como resultado:**

- Daños de humedad en la carpintería, muebles, pintura, empapelado, alfombras, etc.
- Problemas en la limpieza de la casa y de salud.

Use un ducto de escape de metal pesado. No use un ducto de escape de plástico o de hoja de aluminio.

Se recomienda el ducto de escape de metal rígido para evitar que se aplaste o se tuerza.

El ducto de escape de metal flexible debe extenderse y sostenerse por completo cuando la secadora esté en su ubicación final. Quite el exceso del conducto de metal flexible para evitar que se doble y se tuerza, lo cual podría dar lugar a una reducción del flujo de aire y un funcionamiento insuficiente.

Una capota de ventilación debe tapar el ducto de escape para evitar el ingreso de roedores e insectos a la casa.

La capota de ventilación debe estar por lo menos a 12 pulg. (30,5 cm) de distancia del piso o de cualquier objeto que pudiese estar en el trayecto del ducto de escape (como flores, rocas o arbustos, etc).

Si se usa un sistema de ventilación existente, limpie la pelusa que está en toda la longitud del sistema y asegúrese de que la capota de ventilación no esté obstruida con pelusa. Reemplace cualquier ducto de escape de plástico o de hoja de metal por uno de metal rígido o de metal flexible.

## Requisitos de ventilación

### ⚠ ADVERTENCIA



#### Peligro de Incendio

- Use un ducto de escape de metal pesado.
- No use un ducto de escape de plástico.
- No use un ducto de escape de aluminio.
- No seguir estas instrucciones puede ocasionar la muerte o incendio.

**ADVERTENCIA:** Para reducir el riesgo de incendio, esta secadora DEBE VENTILARSE HACIA EL EXTERIOR.

Se debe usar un ducto de escape de metal pesado de 4 pulg. (10,2 cm) y abrazaderas. Los productos de ventilación DURASAFE™ son recomendables.

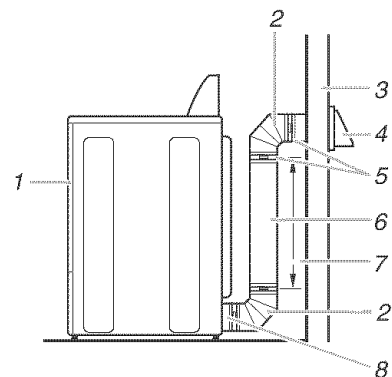
Los productos de ventilación DURASAFE™ pueden adquirirse en la tienda de Sears o el Centro de servicio de Sears de su localidad. Para más información, por favor llame al **1-800-4-MY-HOME® (1-800-469-4663)**.

- La salida de la secadora no debe conectarse en ningún ducto de escape de gas, chimenea, pared, techo o el espacio oculto de un edificio.
- No use una capota de ventilación con pestillo magnético.
- No instale el ducto de escape de metal flexible en paredes, techos o pisos encerrados.

## Planificación del sistema de ventilación

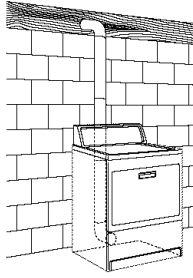
### Instalaciones típicas de escape

Las instalaciones típicas tienen la ventilación en la parte posterior de la secadora.



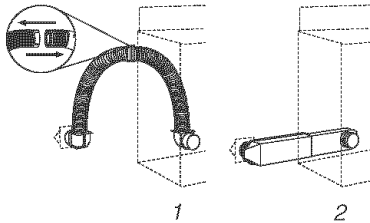
1. Secadora  
 2. Codo  
 3. Pared  
 4. Capota de ventilación  
 5. Abrazaderas  
 6. Ducto de escape de metal rígido o ducto de escape de metal flexible  
 7. Longitud necesaria del ducto de escape para conectar los codos  
 8. Salida de ventilación

## Instalación estándar de ventilación con ductos de metal rígidos o ductos de metal flexibles



## Instalaciones alternas para espacios limitados

Los sistemas de ventilación vienen en una amplia gama. Seleccione el tipo más apropiado para su instalación. A continuación se ilustran dos tipos de instalación para espacios limitados. Consulte las instrucciones del fabricante.



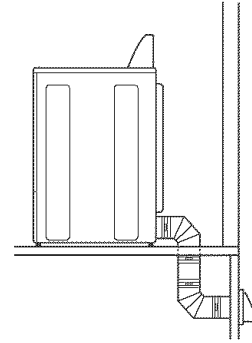
1. Instalación en la parte superior (también está disponible con un codo de desviación)
2. Instalación de periscopio

**NOTA:** Se pueden adquirir los siguientes juegos para instalaciones alternas en espacios limitados. Por favor llame al **1-800-4-MY-HOME® (1-800-469-4663)**.

- Instalación en la parte superior:  
Pieza número 26-49900
- Instalación de periscopio (Para usar si hay desacoplo entre el ducto de escape de la pared y el ducto de escape de la secadora):  
Pieza número 26-49901 – Desacoplo de menos de 5 pulg. (12,7 cm).  
Pieza número 26-49908 – Desacoplo de 5 pulg. (12,7 cm) a 18 pulg. (45,72 cm).  
Pieza número 26-49904 – Desacoplo de 18 pulg. (45,72 cm) a 29 pulg. (73,66 cm).  
Pieza número 26-49905 – Desacoplo de 29 pulg. (73,66 cm) a 50 pulg. (127 cm).

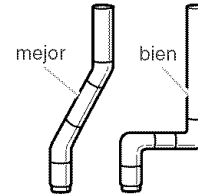
## Previsiones especiales para las instalaciones en casas rodantes

El ducto de escape deberá sujetarse firmemente en un lugar no inflamable de la estructura de la casa rodante y no debe terminar debajo de la casa rodante. El ducto de escape debe terminar en el exterior.



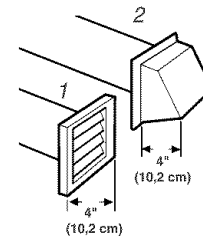
## Determinación de la longitud del ducto de escape

1. Seleccione la vía que proporcione el trayecto más recto y directo al exterior. Planifique la instalación a fin de usar el menor número posible de codos y vueltas. Cuando use los codos o haga vueltas, deje todo el espacio que sea posible. Doble el ducto de escape gradualmente para evitar que se retuerza. Evite vueltas de 90°.



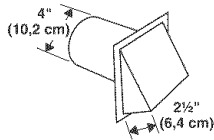
2. Determine de la longitud del ducto de escape.  
La longitud máxima del sistema de ventilación depende de:
  - El tipo de ducto de escape (metal rígido o metal flexible).
  - El número de codos utilizados.
  - Tipo de capota.

Los estilos recomendados de capotas de ventilación se ilustran aquí.



1. Estilo de capota de ventilación tipo persiana
2. Estilo de capota de ventilación tipo caja

El estilo de capota de ventilación angular (que se ilustra a continuación) es aceptable.



Vea el cuadro de longitud del ducto de escape que vaya de acuerdo con su tipo de capota de ventilación para fijarse en las longitudes máximas del ducto de escape que usted puede usar.

Los sistemas de ventilación más largos que los especificados:

- Acortarán la vida de la secadora.
- Reducirán el rendimiento, dando lugar a tiempos de secado más largos y un aumento en el consumo de energía.

3. Determine el número de codos que va a necesitar.

**NOTA:** No use tendidos de ducto de escape más largos que los especificados en el cuadro de la longitud del ducto de escape.

El siguiente cuadro le ayudará a determinar la longitud máxima de su ducto, de acuerdo con el número de vueltas de 90° o codos que necesitará y con el tipo de ducto (metal rígido o metal flexible) y capota que va a usar.

**Cuadro de la longitud del ducto de escape**

No. de vueltas de 90° o codos	Tipo de ducto	Capotas de ventilación de caja o tipo persianas	Capotas angulares
0	<b>Metal rígido</b>	64 pies (20 m)	58 pies (17,7 m)
	<b>Metal flexible</b>	36 pies (11 m)	28 pies (8,5 m)
1	<b>Metal rígido</b>	54 pies (16,5 m)	48 pies (14,6 m)
	<b>Metal flexible</b>	31 pies (9,4 m)	23 pies (7 m)
2	<b>Metal rígido</b>	44 pies (13,4 m)	38 pies (11,6 m)
	<b>Metal flexible</b>	27 pies (8,2 m)	19 pies (5,8 m)
3	<b>Metal rígido</b>	35 pies (10,7 m)	29 pies (8,8 m)
	<b>Metal flexible</b>	25 pies (7,6 m)	17 pies (5,2 m)
4	<b>Metal rígido</b>	27 pies (8,2 m)	21 pies (6,4 m)
	<b>Metal flexible</b>	23 pies (7 m)	15 pies (4,6 m)

## Instalación del sistema de ventilación

1. (Opcional) Póngase lentes de seguridad y guantes.
2. Instale la capota de ventilación. Emplee una masilla de calafateo para sellar la abertura de la pared externa alrededor de la capota de ventilación.
3. Conecte el ducto de escape a la capota de ventilación. El ducto de escape debe encajar dentro de la capota de ventilación. Asegure el ducto de escape a la capota de ventilación con una abrazadera de 4 pulg. (10,2 cm).
4. Extienda el ducto de escape a la ubicación de la secadora. Use la trayectoria más recta posible. Vea "Determinación de la longitud del ducto de escape". Evite giros de 90°. Use abrazaderas para sellar todas las juntas. No use cinta adhesiva para conductos, tornillos ni otros dispositivos de fijación que se extiendan dentro del ducto de escape, para fijar el mismo.

## Instalación de las patas niveladoras

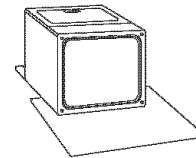
### ⚠ ADVERTENCIA

#### Peligro de Peso Excesivo

Use dos o más personas para mover e instalar la secadora.

No seguir esta instrucción puede ocasionar una lesión en la espalda u otro tipo de lesiones.

1. Para proteger el piso, use un pedazo de cartón grande y plano del cartón de la secadora. Coloque el cartón debajo de todo el borde posterior de la secadora. Vea la ilustración.
2. Sujete con firmeza el cuerpo de la secadora (no la parte superior o el panel de la consola).



Coloque la secadora cuidadosamente sobre el cartón.

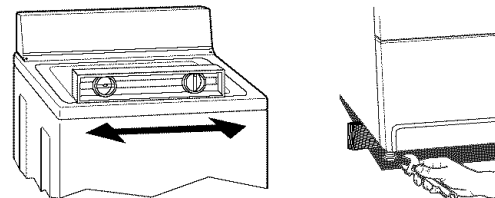
3. Examine las patas niveladoras. Localice la marca en forma de diamante.



4. Atornille con la mano las patas en los orificios de las patas. Use una llave de tuercas para terminar de atornillar las patas hasta que la marca en forma de diamante no quede visible.
5. Coloque un poste esquinero de cartón debajo de cada una de los 2 esquinales posteriores de la secadora. Ponga la secadora de pie. Deslice la secadora sobre los postes esquineros hasta que quede cerca de su ubicación final. Deje suficiente espacio para conectar el ducto de escape.
6. Una vez que la conexión esté lista y la secadora se encuentre en su ubicación final, quite los esquinales y el cartón.

## Nivelación de la secadora

Revise la nivelación de la secadora. Verifique primero de lado a lado y luego del frente hacia atrás.



Si la secadora no está nivelada, apunte la secadora, usando un bloque de madera. Use una llave de tuercas para regular las patas hacia arriba o hacia abajo y verifique nuevamente si la secadora está nivelada.

**NOTA:** Quizás sea necesario nivelar la secadora nuevamente después de trasladarla a su ubicación final.

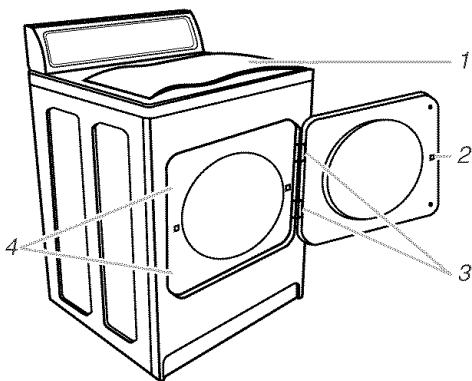
## Conexión del ducto de escape

1. Usando una abrazadera de 4 pulg. (10,2 cm), conecte el ducto de escape a la salida de aire de la secadora. Si se conecta a un ducto de escape existente, asegúrese de que el mismo esté limpio. El ducto de escape de la secadora debe encajar sobre la salida de aire de la secadora y dentro de la capota de ventilación. Cerciórese de que el ducto de escape esté asegurado a la capota de ventilación con una abrazadera de 4 pulg. (10,2 cm).
2. Mueva la secadora a su posición final. No aplaste ni retuerza el ducto de escape. Asegúrese de que la secadora esté nivelada.
3. (En modelos de gas) Asegúrese de que no haya torceduras en la línea de gas flexible.

## Cómo invertir el cierre de la puerta (opcional)

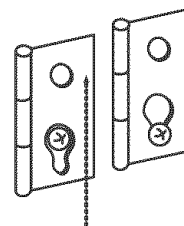
Si lo desea, puede cambiar la dirección del cierre de la puerta del lado derecho al lado izquierdo.

### Puerta grande de vaivén lateral de posición reversible



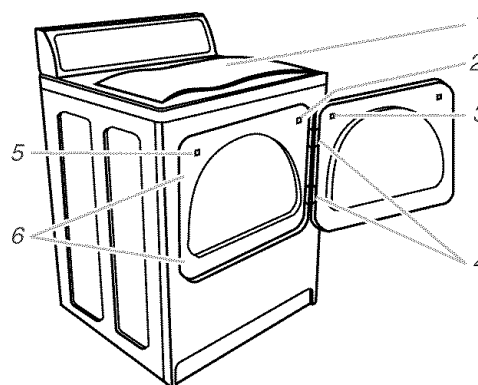
1. Coloque una toalla (1) encima de la secadora para proteger la superficie.
2. Abra la puerta de la secadora. Extraiga los tornillos inferiores de las bisagras del lado del gabinete (3). Afloje (no extraiga) los tornillos superiores de las bisagras del lado del gabinete.
3. Levante la puerta hasta que los tornillos superiores del gabinete estén en la parte grande de la ranura de la bisagra. Tire de la puerta hacia adelante para separarla de los tornillos. Coloque la puerta encima de la secadora. Extraiga los tornillos superiores del gabinete.
4. Use un destornillador pequeño de boca plana para quitar con cuidado los cuatro tapones (4) de los orificios de la bisagra que están en el lado izquierdo del gabinete. Introduzca los tapones en los agujeros de la bisagra en el lado derecho del gabinete.

5. Introduzca los tornillos en los agujeros inferiores en el lado izquierdo del gabinete. Atorníllelos por la mitad. Coloque la puerta de tal forma que el extremo grande de la ranura de la bisagra, y a su vez de la puerta, esté encima de los tornillos. Deslice la puerta hacia arriba para que los tornillos estén en la parte inferior de las ranuras. Apriete los tornillos. Introduzca y apriete los tornillos superiores en las bisagras.



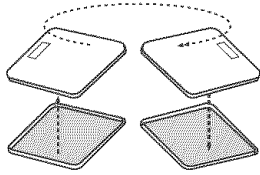
6. Cierre la puerta y asegúrese de que el interruptor de la puerta está alineado con el gancho (2). Si es necesario, deslice el gancho de la puerta hacia la izquierda o derecha dentro de la ranura para ajustar la alineación.

### Puerta super ancha de vaivén lateral de posición reversible

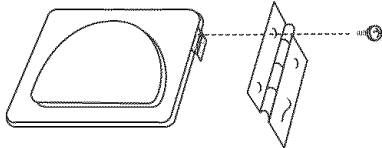


1. Coloque una toalla (1) encima de la secadora para proteger la superficie.
2. Abra la puerta de la secadora. Extraiga los tornillos inferiores de las bisagras del lado del gabinete (4). Afloje (no extraiga) los tornillos superiores de las bisagras del lado del gabinete.
3. Levante la puerta hasta que los tornillos inferiores del gabinete estén en la parte grande de la ranura de la bisagra. Tire de la puerta hacia adelante para separarla de los tornillos. Coloque la puerta (con el lado de la manija hacia arriba) encima de la secadora. Extraiga los tornillos superiores del gabinete.
4. Extraiga los tornillos que unen a las bisagras con la puerta.
5. Extraiga los tornillos en la parte superior, inferior y lateral de la puerta (4 tornillos). Sosteniendo la puerta sobre la toalla en la secadora, sujete los costados de la parte exterior de la puerta y levante cuidadosamente para separarla de la parte interior de la puerta. NO los separe utilizando una espátula. NO tire del burlete de la puerta ni de los ganchos plásticos de la misma.

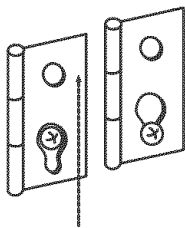
6. Tenga cuidado de mantener los espaciadores de cartón centrados entre las puertas. Vuelva a unir el panel exterior de la puerta al panel interior de la misma de manera que la manija se encuentre en el lado de donde se acaban de extraer las bisagras.



7. Una las bisagras con la puerta de manera que la parte grande de la ranura de la bisagra se encuentre en la parte de abajo de la bisagra.



8. Extraiga el interruptor de la puerta (5) del gabinete. Use un destornillador pequeño de punta plana para quitar cuidadosamente los 4 tapones para los agujeros de la bisagra (6) que se encuentran al lado izquierdo del gabinete. Introduzca los tapones en los agujeros de la bisagra en el lado derecho del gabinete.
9. Introduzca los tornillos en los agujeros inferiores en el lado izquierdo del gabinete. Atornillelos por la mitad. Coloque la puerta de tal forma que el extremo grande de la ranura de la bisagra esté sobre los tornillos. Deslice la puerta hacia arriba para que los tornillos estén en la parte de abajo de las ranuras. Apriete los tornillos. Introduzca y apriete los tornillos superiores en las bisagras.



10. Extraiga el tapón del interruptor de la puerta (2). Introduzca el interruptor de la puerta que usted quitó en el paso 8 en el agujero, y asegúrelo con un tornillo. Introduzca el tapón del interruptor de la puerta en el agujero original del interruptor de la puerta y asegúrelo con un tornillo.
11. Cierre la puerta y asegúrese de que el interruptor de la misma esté alineado con el pestillo de la puerta (3). Si es necesario, deslice el pestillo de la puerta hacia la izquierda o derecha dentro de la ranura a fin de ajustar la alineación.

## Complete la instalación

1. Revise para cerciorarse de que todas las piezas estén instaladas. Si hay alguna pieza extra, vuelva a revisar todos los pasos para ver cuál se omitió.
2. Verifique si tiene todas las herramientas.
3. Deshágase de todos los materiales de embalaje.
4. Revise la localización final de la secadora. Asegúrese de que el ducto de escape no esté aplastado o retorcido.
5. Verifique si la secadora está nivelada. (Vea “Nivelación de la secadora”.)
6. Enchufe en un contacto con conexión a tierra. Conecte la energía.
7. Quite la película protectora azul que está en la consola y cualquier cinta adhesiva que haya quedado en la secadora.
8. Lea “Instrucciones para el usuario de la secadora”.
9. Limpie el interior del tambor de la secadora meticulosamente con un paño húmedo para quitar residuos de polvo.
10. Fije la secadora en un ciclo de pleno calor (no el ciclo de aire) y póngala a funcionar durante 20 minutos.

### Si la secadora no funciona, revise lo siguiente:

- Que los controles estén fijados en una posición de funcionamiento u encendido (“On”).
  - Que se ha presionado con firmeza el botón de puesta en marcha.
  - Que la secadora esté conectada en un contacto con conexión a tierra.
  - Que el suministro eléctrico esté conectado.
  - Que el fusible de la casa esté intacto y ajustado; o que no se haya disparado el cortacircuitos.
  - Que la puerta de la secadora esté cerrada.
11. Después de que la secadora haya estado funcionando durante 5 minutos, abra la puerta y fíjese si está caliente.

### Si no está caliente, apague la secadora y revise lo siguiente:

- Posiblemente hayan 2 fusibles o disyuntores para la secadora. Revise para asegurarse de que ambos fusibles estén intactos y ajustados, o que ambos disyuntores no se hayan disparado. Si después de esto todavía no calienta, póngase en contacto con un técnico competente.

**NOTA:** Cuando caliente la secadora por primera vez quizás sienta un olor a quemado. Este olor es común cuando se usa por primera vez el elemento de calefacción. El olor desaparecerá.

# Get it fixed, at your home or ours!

## Your Home

For repair – **in your home** – of **all** major brand appliances, lawn and garden equipment, or heating and cooling systems, **no matter who made it, no matter who sold it!**

For the replacement parts, accessories and owner's manuals that you need to do-it-yourself.

For Sears professional installation of home appliances and items like garage door openers and water heaters.

**1-800-4-MY-HOME® (1-800-469-4663)**

Call anytime, day or night (U.S.A. and Canada)

[www.sears.com](http://www.sears.com)    [www.sears.ca](http://www.sears.ca)

---

## Our Home

For repair of carry-in items like vacuums, lawn equipment, and electronics, call or go on-line for the location of your nearest **Sears Parts & Repair Center.**

**1-800-488-1222**

Call anytime, day or night (U.S.A. only)

[www.sears.com](http://www.sears.com)

---

To purchase a protection agreement (U.S.A.) or maintenance agreement (Canada) on a product serviced by Sears:

**1-800-827-6655** (U.S.A.)

**1-800-361-6665** (Canada)

---

Para pedir servicio de reparación a domicilio, y para ordenar piezas:

**1-888-SU-HOGAR<sup>SM</sup>**

(1-888-784-6427)

Au Canada pour service en français:

**1-800-LE-FOYER<sup>MC</sup>**

(1-800-533-6937)

[www.sears.ca](http://www.sears.ca)

# SEARS