

Installation Instructions

Convertible Compactor

IMPORTANT:
Read and save
these instructions.

IMPORTANT:

Installer: Leave Installation Instructions with the homeowner.

Homeowner: Keep Installation Instructions for future reference.

Save Installation Instructions for local electrical inspector's use.

Before you start...

Proper installation is your responsibility. Make sure you have everything necessary for correct installation. It is the personal responsibility and obligation of the customer to contact a qualified installer to assure that electrical installation meets national and all local codes and ordinances.

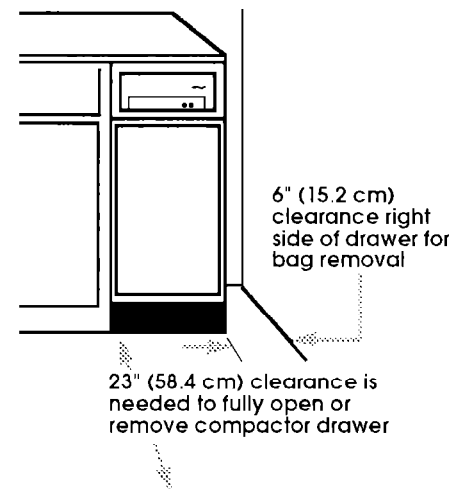
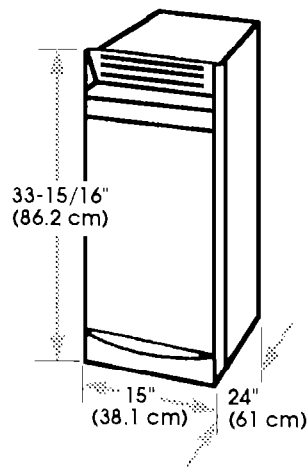
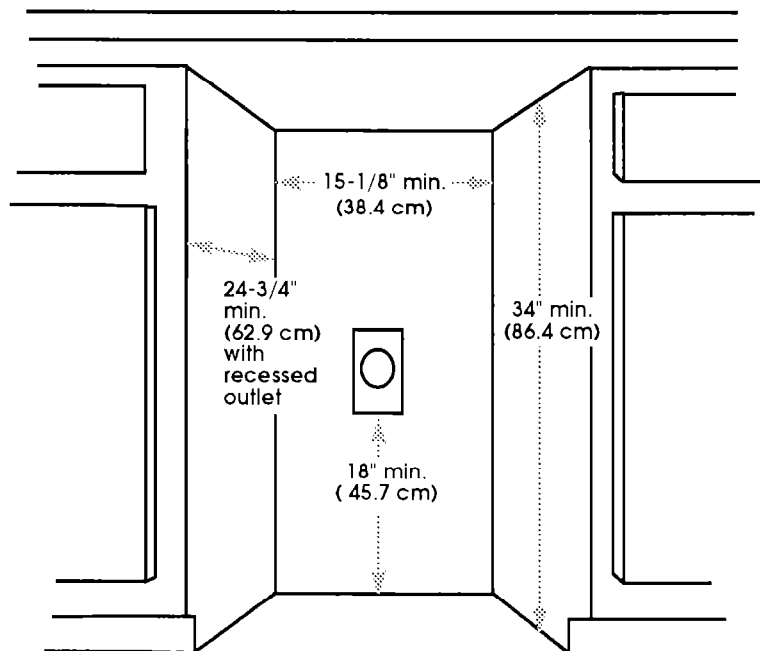
Grounded electrical outlet is required. ("See Electrical requirements".)

Check the location where your compactor will be installed. The cabinet opening should be square. You should be able to fully open the compactor drawer. Six inches (15.2 cm) of clearance is needed on the right side of compactor drawer to be able to remove compactor bag. Allow 23 inches (58.4 cm) in front of the compactor to remove drawer.

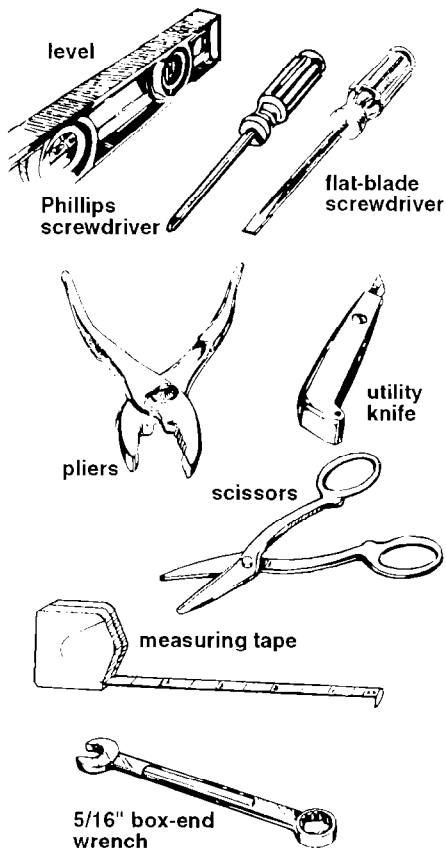
⚠ WARNING

Fire Hazard

Do not let any item fall or collect behind the compactor. To do so may result in a fire.



Tools and materials needed for installation:



Parts supplied for undercounter installation:

- 1 LH retaining bracket
- 1 RH retaining bracket
- 2 retaining bracket screws #8 x 5/16
- 2 mounting clips
- 2 mounting screws #8 - 18 x 1/2

All parts are in literature package in drawer.

Electrical requirements

Important: Observe all governing codes and ordinances.

⚠ WARNING

Electrical Shock Hazard

- Electrical ground is required on this appliance.
- If cold water pipe is interrupted by plastic, non-metallic gaskets or other insulating materials, Do Not use for grounding.
- Do Not ground to a gas pipe.
- Do Not modify the power supply cord plug. If it does not fit the outlet, have a proper outlet installed by a qualified electrician.
- Do Not have a fuse in the neutral or grounding circuit. A fuse in the neutral or grounding circuit could result in an electrical shock.
- Do Not use an extension cord with this appliance.
- Check with a qualified electrician if you are in doubt as to whether the appliance is properly grounded.

Failure to follow these instructions could result in serious injury or death.

If codes permit and a separate grounding wire is used, it is recommended that a qualified electrician determine that the grounding path is adequate.

A 120-volt, 60-Hz, AC-only, 15- or 20-ampere, fused electrical supply is required. Time-delay fuse or circuit breaker is recommended. It is recommended that a separate circuit serving only this appliance be provided.

Recommended grounding method

Do Not, under any circumstances, remove the power supply cord grounding prong.

For your personal safety, this appliance must be grounded. This appliance is equipped with a power supply cord having a 3-prong grounding plug. To minimize possible shock hazard, the cord must be plugged into a mating, 3-prong, grounding-type, wall receptacle, grounded in accordance with the National Electrical Code ANSI/NFPA 70-latest edition and all local codes and ordinances. If a mating wall receptacle is not available, it is the personal responsibility and obligation of the customer to have a properly grounded, 3-prong, wall receptacle installed by a qualified electrician. (See Figure 1.)

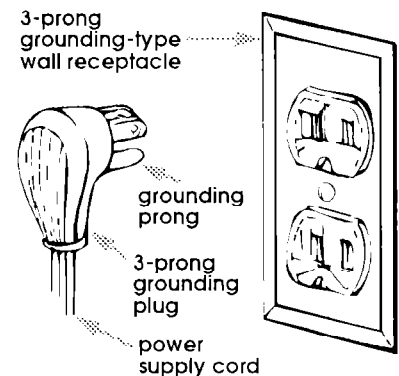


Figure 1

Now start...

With compactor in room where it will be installed.

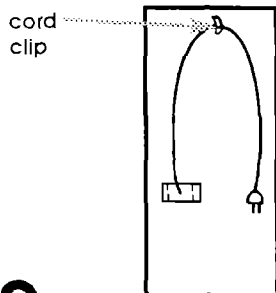
⚠ CAUTION

Product/Floor Damage

- Do Not grasp console to move compactor.
- Before moving compactor across floor, check that compactor is on shipping base or slide compactor onto cardboard or hardboard.

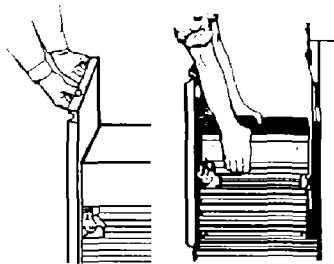
Failure to follow these instructions may result in damage to floor covering or product.

1. Remove compactor from shipping carton. Remove all protective packaging materials such as tape and shipping pads. Waxy residue from protective shipping material may be removed with a mild solution of liquid household cleaner and water.



2.

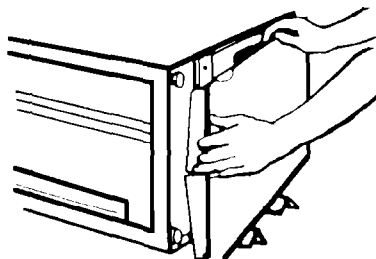
Check that power supply cord is attached to the cord clip on the rear of the compactor.



3.

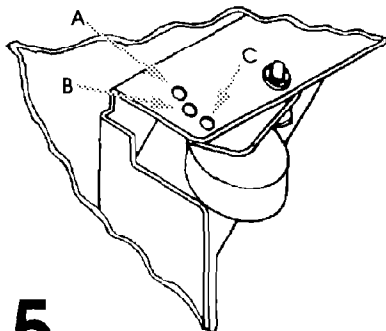
Place two corner posts from carton on floor near compactor. Open compactor drawer and remove any

shipping materials or other items shipped in the drawer. Do Not remove the compactor bag (if installed). Grasp the handle and raise the front of drawer until it clears stops. Grasp sides of drawer and lift drawer out of compactor. Place the drawer on the two corner posts.



4.

Place the other two corner posts on the floor to the side of the compactor. Grasp the sides of the compactor cabinet and put compactor on its side on top of the corner posts. Remove the shipping base from the bottom of compactor.



5.

Freestanding installation
Go to Step 6.

Undercounter installation

The rear wheels are preset for a cabinet opening height of 34" (86.4 cm) (Position "A").

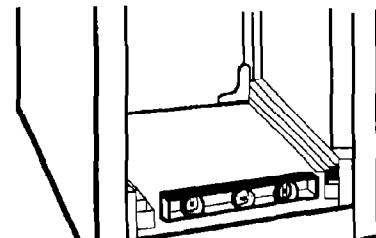
To adjust for other cabinet opening heights, loosen screw just enough to clear stud from hole in position "A". Move the rear wheel and stud to position "B" or "C" as needed for your cabinet opening measurement:

Position B: 34" to 34-3/16" (86.4 to 86.8 cm)

Position C: 34-3/16" to 34-1/2" (86.8 to 87.6 cm)

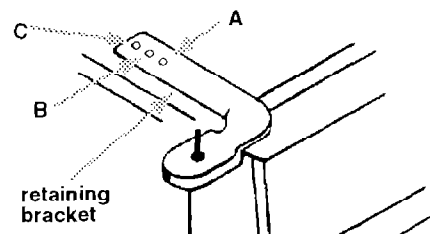
Tighten screw. Repeat for other rear wheel.

6. Use pliers to lower leveling legs away from cabinet. Stand the cabinet upright.



7.

Place level inside on the floor of the cabinet. Check that the compactor is level from front to back and side to side. Adjust the leveling legs until the compactor is level.



8.

Freestanding installation
Go to Step 9.

Undercounter installation

Remove the plastic plugs from the compactor top. Determine if you want the compactor frame or drawer front flush with the cabinet front.

Install the retaining brackets to cabinet top to one position:

If the compactor frame is to be flush with the cabinet front, place retaining bracket screws through "A".

If the compactor drawer front is to be flush with the cabinet front, place retaining bracket screws through "C".

If the compactor is to be midway between "A" and "C", place retaining bracket screws through "B".

⚠ WARNING

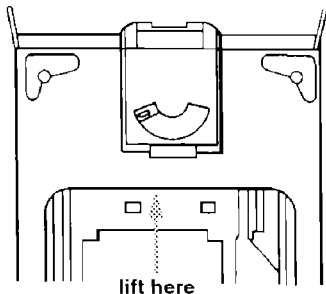
Personal Injury Hazard

When moving or lifting the compactor, use a glove to protect and cushion your hand. Failure to do so could result in personal injury.

⚠ CAUTION

Floor Damage

Do not allow the rear frame of the compactor to touch the floor when lifting or rolling. Doing so could damage floor covering.



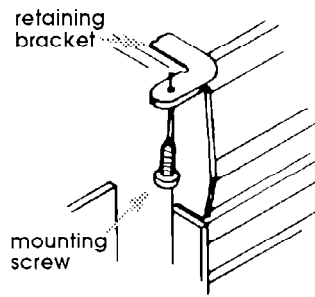
- 9.** Move the compactor close to its final position. Plug the power cord into a properly grounded receptacle.

Freestanding installation

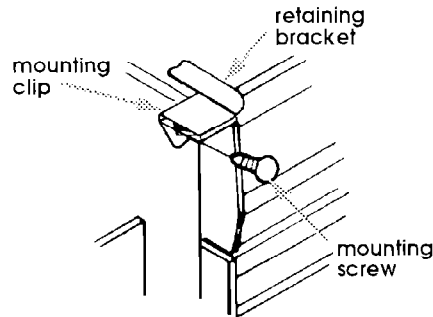
Carefully move it into its final position. Check that compactor is still level. (See Step 7.) Go to Step 11.

Undercounter installation

Carefully lift the front slightly and roll it into the cabinet opening until the retaining brackets stop the unit.



Countertop mounting



Cabinet front mounting

10.

Undercounter installation

Fasten the retaining brackets to the underside of the countertop with the mounting screws.

If brackets cannot be attached to the underside of countertop, attach mounting clips to brackets. Fasten compactor to cabinet front with mounting screws through mounting clips.

11.

Grasp sides of compactor drawer and place bottom of drawer into tracks. Lift at the handle so the front of drawer will go over drawer stops. Close drawer. Open drawer and check if drawer opens freely. If the toe plate rubs against floor, see "Adjusting the toe plate" for further instructions.

12.

Read Use and Care Guide Operation Instructions to fully understand your new compactor. Keep all literature in a safe place for future reference.

Adjusting the toe plate

If the toe plate rubs the floor covering, the toe plate clearance may be changed as follows:

1. Mark on each side of the toe plate the amount of toe plate that rubs the floor covering.
2. Remove the drawer from the unit. (Refer to Step 3 of the Installation Instructions.)
3. Place drawer on a protective covering, cardboard, etc., so the front panel faces upward.
4. With a ruler and a pencil or chalk, draw a line between the marks on each side of toe plate.
5. Use scissors or utility knife to cut toe plate along line. (See Figure 2.)
6. Replace drawer as explained in Step 11. If toe plate still rubs floor covering, repeat Steps 1-6.

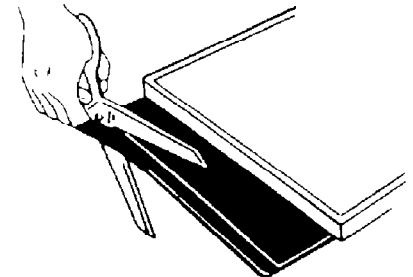


Figure 2

Changing color panel

Depending on the model, your compactor may have one or more reversible color panels.

⚠ WARNING

Personal Injury Hazard

- Handle metal edges of panels carefully. Cut metal edges may cause personal injury or damage to other materials.

- Replace handle before operating compactor.

Failure to do so could result in personal injury or damage to other materials.

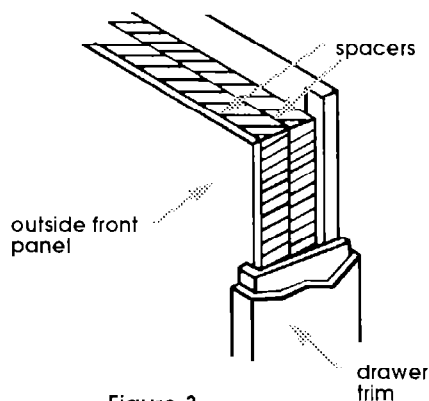


Figure 3

1. Remove the drawer from the unit. (See Step 3 of the Installation Instructions.)
2. Remove the screws that attach the handle to the drawer.
3. Remove one spacer panel.
4. Remove color panel(s) by carefully pulling up.
5. Select the color you wish to show and carefully push that panel into the drawer trim.
6. Replace the spacer panels and other color panel.
7. Replace the handle with the screws removed in Step 2 above.
8. Replace the drawer. (See Step 11 of Installation Instructions.)

Custom-made panels

A custom-made, 1/4" (64 cm) thick wood panel or other suitable decorative material to match your cabinets can be used in place of the color panels. Paint, wallpaper, fabric, etc., can be applied directly to one of the color panels. (See Figure 4.)

1. Follow steps 1 through 4 under "Changing color panel". Also remove all cardboard spacers.
2. Slide decorative panel between trim pieces.
3. Reattach handle with the screws previously removed.
4. Replace the drawer. (See Step 11 of Installation Instructions.)

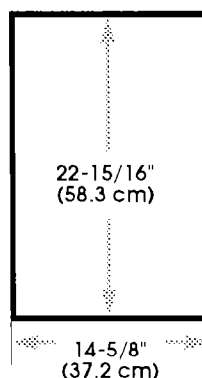


Figure 4

Before you call for service...

If your compactor does not operate properly, check the following before calling for service –

If the compactor won't operate:

- Is the power supply cord securely plugged into electrical outlet?
- Has the fuse blown or circuit breaker tripped?
- Is the drawer completely closed?
- Is the key-knob turned all the way to "START" position before it is released?

If compactor stops during operation:

- Push drawer in firmly while turning key-knob to start. Repeat if necessary.
- Rearrange trash load - Do Not load rigid items at front of drawer.

Trash not compacted:

- Drawer must be at least 1/3 full to see compaction.

Not enough compaction or force:

- Compacting works best when only a few items are loaded. Use the compacting cycle frequently.

Bottles don't break:

- Not all bottles will break every time, depending upon trash load below bottle.

Drawer won't open:

- Drawer will open only when ram is all the way up. To raise the ram, push drawer in firmly and turn key-knob to START. Release key-knob. Open drawer and lay cans and bottles flat in center of drawer. Start compactor again.

If you need assistance...

Check your Use and Care Guide for a toll-free number to call or call the dealer from whom you purchased this appliance. The dealer is listed in the Yellow Pages of your phone directory under "Appliances – Major".

When you call, you will need the compactor model number and serial number. Both numbers are on the serial/rating plate, which can be found by pulling out the drawer and looking on the left-hand side of the cabinet opening.