



TOP-MOUNT REFRIGERATOR

Use & Care Guide

FRIGORÍFICO CON CONGELADOR EN LA PARTE SUPERIOR

Manual de uso y cuidado

豪華上下門冰箱

使用與維護指南



TABLE OF CONTENTS

REFRIGERATOR SAFETY	2	Using the Controls.....	10
Proper Disposal of Your Old Refrigerator.....	3	Adjusting Control Settings.....	10
INSTALLATION INSTRUCTIONS	3	Ice Maker.....	10
Location Requirements.....	4	REFRIGERATOR CARE	11
Electrical Requirements.....	4	Cleaning.....	11
Water Supply Requirements.....	5	Changing the Light Bulbs.....	11
Connect the Water Supply.....	5	Power Interruptions.....	11
Complete the Installation.....	6	Holiday and Moving Care.....	11
Refrigerator Doors.....	6	TROUBLESHOOTING	12
Adjust the Doors.....	9	Temperature and Moisture.....	13
REFRIGERATOR USE	9	Ice and Water.....	13
Ensuring Proper Air Circulation.....	9	ASSISTANCE OR SERVICE	14

REFRIGERATOR SAFETY

Your safety and the safety of others are very important.

We have provided many important safety messages in this manual and on your appliance. Always read and obey all safety messages.



This is the safety alert symbol.

This symbol alerts you to potential hazards that can kill or hurt you and others.

All safety messages will follow the safety alert symbol and either the word “DANGER” or “WARNING.” These words mean:

⚠ DANGER

You can be killed or seriously injured if you don't immediately follow instructions.

⚠ WARNING

You can be killed or seriously injured if you don't follow instructions.

All safety messages will tell you what the potential hazard is, tell you how to reduce the chance of injury, and tell you what can happen if the instructions are not followed.

IMPORTANT SAFETY INSTRUCTIONS

WARNING: To reduce the risk of fire, electric shock, or injury when using your refrigerator, follow these basic precautions:

- Plug into a grounded (earthed) outlet.
- Do not remove ground prong.
- Do not use an adapter.
- Do not use an extension cord.
- Disconnect power before servicing.
- Replace all parts and panels before operating.
- Remove doors from your old refrigerator.
- Use nonflammable cleaner.
- Keep flammable materials and vapors, such as gasoline, away from refrigerator.
- Use two or more people to move and install refrigerator.
- Disconnect power before installing ice maker (on ice maker kit ready models only).
- A qualified service technician must install the water line and ice maker.
- Use a sturdy glass when dispensing ice (on some models).
- The appliance is not intended for use by young children or infirm persons without supervision.
- Young children should be supervised to ensure that they do not play with the appliance.
- If the power supply cord is damaged, it must be replaced by the manufacturer or its service agent or a similarly qualified person in order to avoid a hazard.

SAVE THESE INSTRUCTIONS

Proper Disposal of Your Old Refrigerator

⚠️ WARNING

Suffocation Hazard

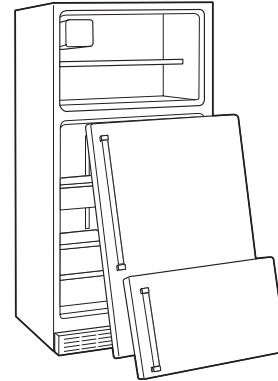
Remove doors from your old refrigerator.

Failure to do so can result in death or brain damage.

IMPORTANT: Child entrapment and suffocation are not problems of the past. Junked or abandoned refrigerators are still dangerous – even if they will sit for “just a few days.” If you are getting rid of your old refrigerator, please follow these instructions to help prevent accidents.

Before You Throw Away Your Old Refrigerator or Freezer:

- Take off the doors.
- Leave the shelves in place so that children may not easily climb inside.



INSTALLATION INSTRUCTIONS

Unpack the Refrigerator

⚠️ WARNING

Excessive Weight Hazard

Use two or more people to move and install refrigerator.

Failure to do so can result in back or other injury.

IMPORTANT: Do not remove the white foam air return insert that is located behind the control panel on the ceiling of the refrigerator (on some models). The insert is part of the refrigerator and not part of the packing material. If the insert is removed, ice may migrate down from the freezer and cause icicles to form.

When Moving Your Refrigerator:

Your refrigerator is heavy. When moving the refrigerator for cleaning or service, be sure to protect the floor. Always pull the refrigerator straight out when moving it. Do not wiggle or “walk” the refrigerator when trying to move it, as floor damage could occur.

Remove the Packaging

- Remove tape and glue from your refrigerator before using. To remove any remaining tape or glue, rub the area briskly with your thumb. Tape or glue residue can also be easily removed by rubbing a small amount of liquid dish soap over the adhesive with your fingers. Wipe with warm water and dry.
- Do not use sharp instruments, rubbing alcohol, flammable fluids, or abrasive cleaners to remove tape or glue. These products can damage the surface of your refrigerator. For more information, see “Refrigerator Safety” section.
- On some models, shelves, bins, door shelf rails, and other feature parts may be packaged in the Interior FeaturePak. Follow the instructions contained in the package for proper assembly.

Clean Before Using

After you remove all of the package materials, clean the inside of your refrigerator before using it. See the cleaning instructions in “Refrigerator Care.”

Important information to know about glass shelves and covers:

Do not clean glass shelves or covers with warm water when they are cold. Shelves and covers may break if exposed to sudden temperature changes or impact, such as bumping. For your protection, tempered glass is designed to shatter into many small, pebble-size pieces. This is normal. Glass shelves and covers are heavy. Use special care when removing them to avoid impact from dropping.

Location Requirements

⚠️ WARNING



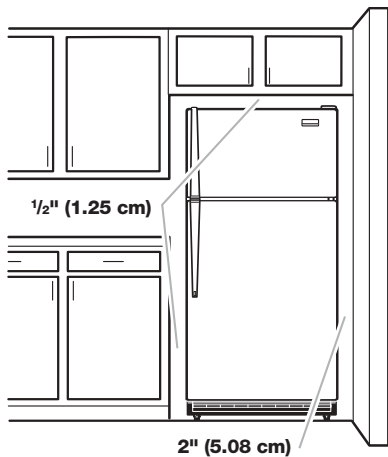
Explosion Hazard

Keep flammable materials and vapors, such as gasoline, away from refrigerator.

Failure to do so can result in death, explosion, or fire.

To ensure proper ventilation for your refrigerator, allow for a ½" (1.25 cm) space on each side and at the top. When installing your refrigerator next to a fixed wall, leave 2" (5.08 cm) minimum on the hinge side (some models require more) to allow for the door to swing open. If your refrigerator has an ice maker, allow extra space at the back for the water line connections.

NOTE: It is recommended that you do not install the refrigerator near an oven, radiator, or other heat source. Do not install the refrigerator in a location where the temperature will fall below 55°F (13°C).



Electrical Requirements

⚠️ WARNING



Electrical Shock Hazard

Plug into a grounded (earthed) outlet.

Do not remove ground prong.

Do not use an adapter.

Do not use an extension cord.

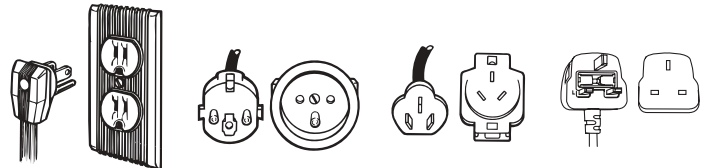
Failure to follow these instructions can result in death, fire, or electrical shock.

Before you move your refrigerator into its final location, it is important to make sure you have the proper electrical connection.

Recommended Grounding Method

Plug 1: A 115 Volt, 60 Hz., AC only 15- or 20-amp fused, grounded (earthed) electrical supply is required.

Plugs 2, 3, and 4: A 220/240 Volt/50 Hz or 220 Volt/60 Hz AC only 10-amp fused, grounded (earthed) electrical supply is required.



Plug 1

Plug 2

Plug 3

Plug 4

It is recommended that a separate circuit serving only your refrigerator be provided. Use an outlet that cannot be turned off by a switch. Do not use an extension cord.

NOTE: Before performing any type of installation, cleaning, or removing a light bulb, turn the control, (Thermostat, Refrigerator or Freezer Control depending on the model) to OFF and then disconnect the refrigerator from the electrical source. When you are finished, reconnect the refrigerator to the electrical source and reset the control (Thermostat, Refrigerator or Freezer Control depending on the model) to the desired setting.

Water Supply Requirements

Gather the required tools and parts before starting installation. Read and follow the instructions provided with any tools listed here.

TOOLS NEEDED:

- Flat-blade screwdriver
- 1/4" Drill bit
- 7/16" and 1/2" Open-end or two adjustable wrenches
- Hand drill or electric drill (properly grounded)
- 1/4" nut driver

NOTE: Your refrigerator dealer has a kit available with a 1/4" (6.35 mm) saddle-type shutoff valve, a union, and copper tubing. Before purchasing, make sure a saddle-type valve complies with your local plumbing codes. Do not use a piercing-type or 3/16" (4.76 mm) saddle valve which reduces water flow and clogs more easily.

IMPORTANT:

- All installations must meet local plumbing code requirements.
- Use copper tubing and check for leaks. Install copper tubing only in areas where the household temperatures will remain above freezing.

Water Pressure

A cold water supply with water pressure of between 30 and 120 psi (207 and 827 kPa) is required to operate the water dispenser and ice maker. If you have questions about your water pressure, call a licensed, qualified plumber.

Reverse Osmosis Water Supply

IMPORTANT: The pressure of the water supply coming out of a reverse osmosis system going to the water inlet valve of the refrigerator needs to be between 30 and 120 psi (207 and 827 kPa).

If a reverse osmosis water filtration system is connected to your cold water supply, the water pressure to the reverse osmosis system needs to be a minimum of 40 to 60 psi (276 to 414 kPa).

If the water pressure to the reverse osmosis system is less than 40 to 60 psi (276 to 414 kPa):

- Check to see whether the sediment filter in the reverse osmosis system is blocked. Replace the filter if necessary.
- Allow the storage tank on the reverse osmosis system to refill after heavy usage.

If you have questions about your water pressure, call a licensed, qualified plumber.

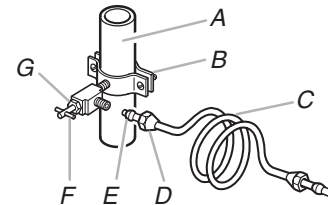
Connect the Water Supply

Read all directions before you begin.

IMPORTANT: If you turn the refrigerator on before the water line is connected, turn the ice maker OFF.

Connect to Water Line

1. Unplug refrigerator or disconnect power.
2. Turn OFF main water supply. Turn ON nearest faucet long enough to clear line of water.
3. Locate a 1/2" to 1 1/4" (1.25 cm to 3.18 cm) vertical cold water pipe near the refrigerator.
IMPORTANT:
 - Make sure it is a cold water pipe.
 - Horizontal pipe will work, but drill on the top side of the pipe, not the bottom. This will help keep water away from the drill and normal sediment from collecting in the valve.
4. Determine the length of copper tubing you need. Measure from the connection on the lower left rear of refrigerator to the water pipe. Add 7 ft (2.1 m) to allow for cleaning. Use 1/4" (6.35 mm) O.D. (outside diameter) copper tubing. Be sure both ends of copper tubing are cut square.
5. Using a grounded drill, drill a 1/4" hole in the cold water pipe you have selected.

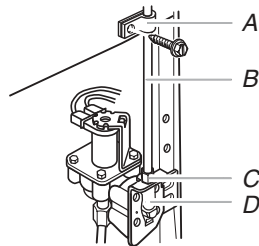


- A. Cold water pipe
- B. Pipe clamp
- C. Copper tubing
- D. Compression nut
- E. Compression sleeve
- F. Shutoff valve
- G. Packing nut

6. Fasten the shutoff valve to the cold water pipe with the pipe clamp. Be sure the outlet end is solidly in the 1/4" drilled hole in the water pipe and that the washer is under the pipe clamp. Tighten the packing nut. Tighten the pipe clamp screws slowly and evenly so washer makes a watertight seal. Do not overtighten or you may crush the copper tubing.
7. Slip the compression sleeve and compression nut on the copper tubing as shown. Insert the end of the tubing into the outlet end squarely as far as it will go. Screw compression nut onto outlet end with adjustable wrench. Do not overtighten.
8. Place the free end of the tubing in a container or sink, and turn ON the main water supply. Flush the tubing until water is clear. Turn OFF the shutoff valve on the water pipe. Coil the copper tubing.

Connect to Refrigerator

1. Unplug refrigerator or disconnect power.
2. Attach the copper tube to the valve inlet using a compression nut and sleeve as shown. Tighten the compression nut. Do not overtighten.
3. Use the tube clamp on the back of the refrigerator to secure the tubing to the refrigerator as shown. This will help avoid damage to the tubing when the refrigerator is pushed back against the wall.
4. Turn shutoff valve ON.
5. Check for leaks. Tighten any connections (including connections at the valve) or nuts that leak.



A. Tube clamp
B. Copper tubing
C. Compression nut
D. Valve inlet

6. The ice maker is equipped with a built-in water strainer. If your water conditions require a second water strainer, install it in the 1/4" (6.35 mm) water line at either tube connection. Obtain a water strainer from your nearest appliance dealer.

Complete the Installation

⚠ WARNING



Electrical Shock Hazard

Plug into a grounded 3 prong outlet.

Do not remove ground prong.

Do not use an adapter.

Do not use an extension cord.

Failure to follow these instructions can result in death, fire, or electrical shock.

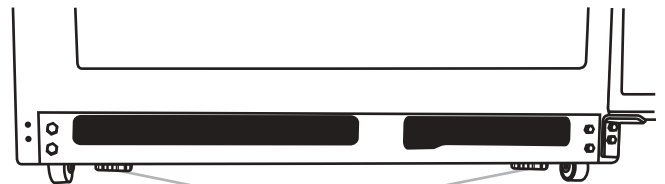
1. Plug into a grounded 3 prong outlet.
NOTE: Allow 24 hours to produce the first batch of ice. Discard the first three batches of ice produced. Allow 3 days to completely fill ice container.
2. Move refrigerator to its final location.

Level Refrigerator (models with leveling legs)

The two leveling legs at the bottom front of the refrigerator must contact the floor to support and stabilize the full weight of the refrigerator.

1. Remove the base grille. See the Base Grille graphic in "Refrigerator Doors."
2. Lower the leveling legs by turning both legs clockwise until they are firmly against the floor.

IMPORTANT: To avoid scratching the floor when you move the refrigerator, adjust the front rollers to raise the leveling legs 1/8" to 1/4" above the floor. Once the refrigerator is back in its final location, adjust the front rollers so the leveling legs are again firmly against the floor.



A. Leveling legs

3. Place a carpenter's level on top of the refrigerator to see if it is level from side to side.
4. Replace the base grille.

Refrigerator Doors

TOOLS NEEDED: 5/16" hex-head socket wrench, #2 Phillips screwdriver, flat-blade screwdriver, 5/16" open-end wrench, flat 2" putty knife.

IMPORTANT:

- All graphics referenced in the following instructions are included later in this section after "Final Steps." The graphics shown are for a right-hand swing refrigerator (hinges factory installed on the right).
- If you only want to remove and replace the doors, see "Remove Doors and Hinges" and "Replace Doors and Hinges."
- Depending on your model, you may have standard (**Style 1**) or contour (**Style 2**) doors. If you are going to reverse the door swing, follow the instructions for the appropriate door style.
- Before you begin, turn the refrigerator control OFF, and remove food and adjustable door or utility bins from doors.

Remove Doors and Hinges (all models)



5/16" Hex-Head Hinge Screw

1. Unplug refrigerator or disconnect power.
2. Open refrigerator door and remove base grille from the bottom front of the refrigerator. See Base Grille graphic.
3. Close the refrigerator door and keep both doors closed until you are ready to lift them free from the cabinet.
NOTE: Provide additional support for the doors while the hinges are being moved. Do not depend on the door magnets to hold the doors in place while you are working.
4. Remove the parts for the top hinge as shown in Top Hinge graphic. Lift the freezer door free from the cabinet.

- Remove the parts for the center hinge as shown in the Center Hinge graphic. Lift the refrigerator door free from the cabinet.
- Remove the parts for the bottom hinge as shown in the Bottom Hinge graphic.

Reverse Doors–Standard Door (optional)

IMPORTANT: If you want to reverse your doors so that they open in the opposite direction, follow these steps. If you are not reversing the doors, see “Replace Doors and Hinges.”



Door Stop Screw



Door Hinge Hole Plug



Door Handle Sealing Screw



Cabinet Hinge Hole Plug



Flat-Head Handle Screw



Door Handle Screw Cover



Door Handle Seal Screw Front



Round-Head Handle Screw

Cabinet

- Remove $\frac{5}{16}$ " hex-head hinge screws from the handle side and move them to the opposite side. See Graphic 1-1.
- Remove the cabinet hinge hole plugs from the cabinet top and move them to the opposite side hinge holes as shown in Graphic 1-2.

Freezer door

- Remove freezer handle assembly as shown. Keep all parts together. See Graphic 2.
- Remove the door stop. Move it to the opposite side of the freezer door as shown in Graphic 5.
- Position the freezer handle on opposite side of freezer door. Assemble handles on the door as shown in Graphic 2.
- Tighten all screws. Set aside the door until the hinges and refrigerator compartment door are in place.

Refrigerator door

- Remove refrigerator handle bottom trim. For **Style 1**, remove the handle screw cover. See Graphic 6-1. For **Style 2**, slide trim down as shown in Graphic 6-2.
- Remove the refrigerator handle assembly as shown. Keep all parts together. See Graphic 6-3.
- Remove the door hinge hole plug from refrigerator door. Move it to the opposite side hinge hole as shown in Graphic 3.
- Remove the door handle sealing screws. Move them to the opposite side of the refrigerator door as shown in Graphic 4.
- Remove the door handle seal screw front. Move it to the opposite side of the refrigerator door as shown in Graphic 7.
- Remove the door stop. Move it to the opposite side of the refrigerator door as shown in Graphic 5.
- Position the refrigerator handle on opposite side of the refrigerator door as shown in Graphic 6-3. Drive the two top screws in the handle first. Align the lower portion of the handle and drive the bottom screw.
- Align refrigerator bottom trim. For **Style 1**, replace the door handle screw cover. See Graphic 6-1. For **Style 2**, slide trim into place. See Graphic 6-2.
- Tighten all screws. Set aside refrigerator door until bottom hinge is installed on product.

Reverse Doors–Contour Door (optional)

IMPORTANT: If you want to reverse your doors so that they open in the opposite direction, follow these steps. If you are not reversing the doors, see “Replace Doors and Hinges.”

Cabinet

- Remove the $\frac{5}{16}$ " hex-head hinge screws from handle side and move them to the opposite side. See Graphic 1-1.
- Remove the cabinet hinge hole plugs from the cabinet top and move them to the opposite side hinge holes as shown in Graphic 1-2.

Doors

- Remove the door stops from both the freezer and the refrigerator doors and move them to the opposite side. See Graphic 5.

Replace Doors and Hinges (all models)

NOTE: Graphic may be reversed if door swing is reversed.

- Replace the parts for the bottom hinge as shown and tighten screws. See Bottom Hinge graphic. Replace the refrigerator door.

NOTE: Provide additional support for the doors while the hinges are being moved. Do not depend on the door magnets to hold the doors in place while you are working.
- Assemble the parts for the center hinge as shown and tighten all screws. See Center Hinge graphic. Replace the freezer door.
- Assemble the parts of the top hinge as shown in the Top Hinge graphic. Do not tighten the screws completely.
- Line up the doors so that the bottom of the freezer door aligns evenly with the top of the refrigerator door. Tighten all screws.

Final Steps (all models)

- Check all the holes to make sure that hole plugs and screws are in place. Reinstall the top hinge cover as shown in the Top Hinge graphic.
- Replace the base grille. See Base Grille graphic.

⚠ WARNING



Electrical Shock Hazard

Plug into a grounded 3 prong outlet.

Do not remove ground prong.

Do not use an adapter.

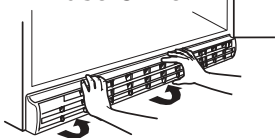
Do not use an extension cord.

Failure to follow these instructions can result in death, fire, or electrical shock.

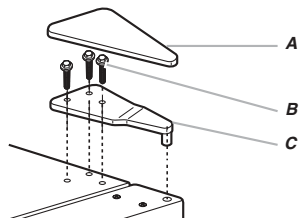
- Plug into a grounded 3 prong outlet.
- Reset the controls. See “Using the Control(s).”
- Return all removable door parts to doors and food to refrigerator.

Door Removal & Replacement

Base Grille

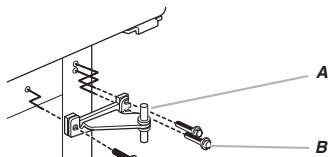


Top Hinge



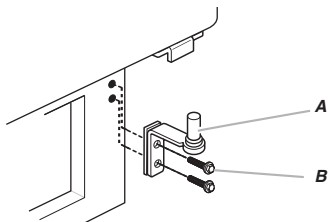
A. Top Hinge Cover
B. 5/16" Hex-Head Hinge Screws
C. Top Hinge

Center Hinge



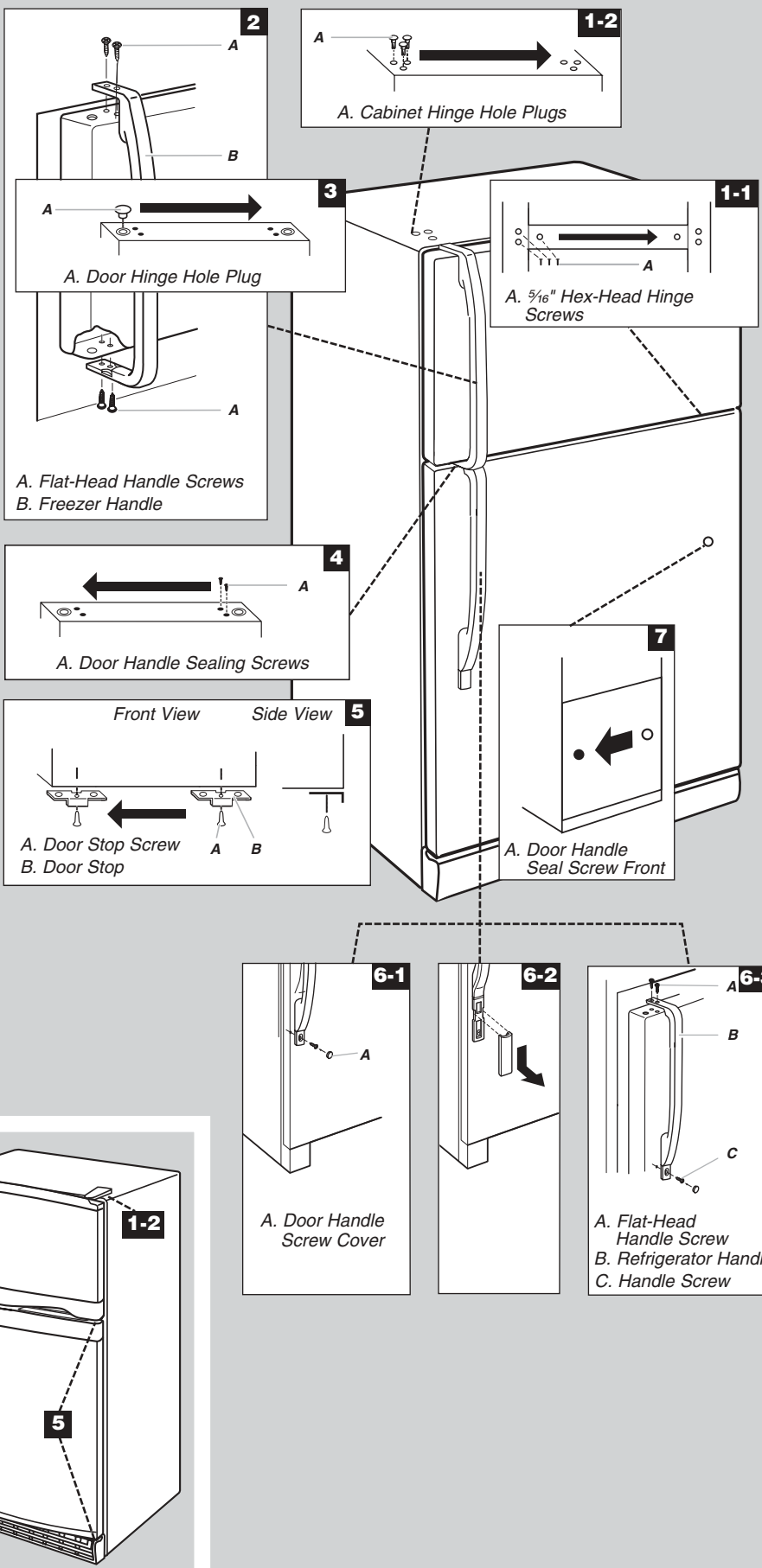
A. Center Hinge
B. 5/16" Hex-Head Hinge Screws

Bottom Hinge



A. Bottom Hinge
B. 5/16" Hex-Head Hinge Screws

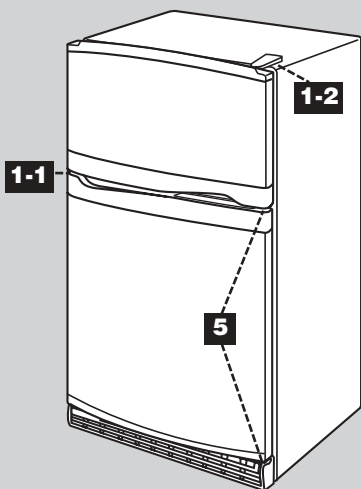
Standard Door - Door Swing Reversal (optional)



Contour Door - Door Swing Reversal (optional)

To reverse the door swing for a contour door simply reverse the hinges.

Refer to the indicated graphics found in "Standard Door - Door Swing Reversal."



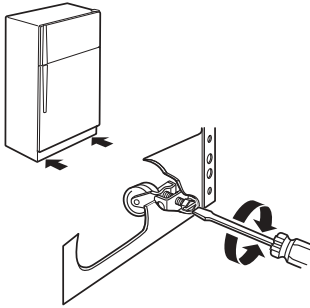
Adjust the Doors

Your refrigerator has two front adjustable rollers – one on the right and one on the left. If your refrigerator seems unsteady or you want the doors to close easier, adjust the refrigerator's tilt using the instructions below.

Door Closing (models without leveling legs)

1. Remove the base grille. See the Base Grille graphic in "Refrigerator Doors." The two leveling screws are part of the front roller assemblies which are at the base of the refrigerator on either side.
2. Using a screwdriver, turn the leveling screw to the right to raise that side of the refrigerator or turn the leveling screw to the left to lower that side. It may take several turns of the leveling screws to adjust the tilt of the refrigerator.

NOTE: Having someone push against the top of the refrigerator takes some weight off the leveling screws and rollers. This makes it easier to adjust the screws.

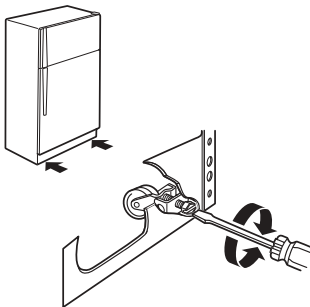


3. Open both doors again and check to make sure that they close as easily as you like. If not, tilt the refrigerator slightly more to the rear by turning both leveling screws to the right. It may take several more turns, and you should turn both leveling screws the same amount.
4. Replace the base grille.

Door Closing (models with leveling legs)

1. Remove the base grille. See the Base Grille graphic in "Refrigerator Doors." The two leveling screws are part of the front roller assemblies which are at the base of the refrigerator on either side.
2. Using a screwdriver, turn the leveling screw to the right to raise that side of the refrigerator or turn the leveling screw to the left to lower that side. It may take several turns of the leveling screws to adjust the tilt of the refrigerator.

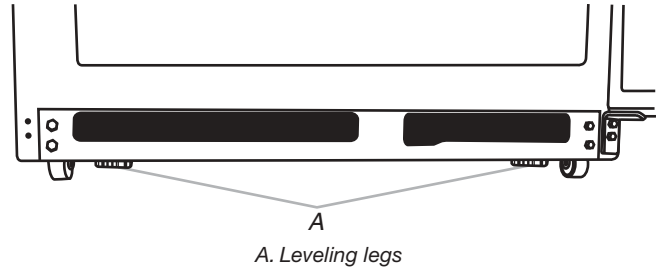
NOTE: Having someone push against the top of the refrigerator takes some weight off the leveling screws and rollers. This makes it easier to adjust the screws.



3. Open both doors again and check to make sure that they close as easily as you like. If not, tilt the refrigerator slightly more to the rear by turning both leveling screws to the right. It may take several more turns, and you should turn both leveling screws the same amount.

4. Turn both leveling legs clockwise until the legs are firmly against the floor.

IMPORTANT: To avoid scratching the floor when you move the refrigerator, adjust the front rollers to raise the leveling legs $\frac{1}{8}$ " to $\frac{1}{4}$ " above the floor. Once the refrigerator is back in its final location, adjust the front rollers so the leveling legs are again firmly against the floor.



5. Replace the base grille.

Align Doors

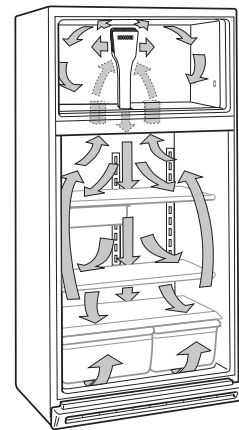
If the space between your doors looks uneven, you can adjust the door by using the instructions below:

1. Pry off the top hinge cover.
2. Using a $\frac{5}{16}$ " socket or wrench, loosen the top hinge screws.
3. Have someone hold the door in place or put a spacer between the doors while you tighten the top hinge screws.
4. Replace the top hinge cover.

REFRIGERATOR USE

Ensuring Proper Air Circulation

In order to ensure proper temperatures, you need to permit airflow between the refrigerator and freezer sections. As shown in the illustration, cool air enters through the bottom of the freezer section and moves up. Most of the air then flows through the freezer section vents and recirculates under the freezer floor. The rest of the air enters the refrigerator section through the top vent.



Do not block any of these vents with food packages. If the vents are blocked, airflow will be obstructed and temperature and moisture problems may occur.

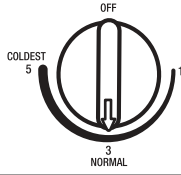
IMPORTANT: Because air circulates between both sections, any odors formed in one section will transfer to the other. You must thoroughly clean both sections to eliminate odors. To avoid odor transfer and drying out of food, wrap or cover foods tightly.

Using the Controls

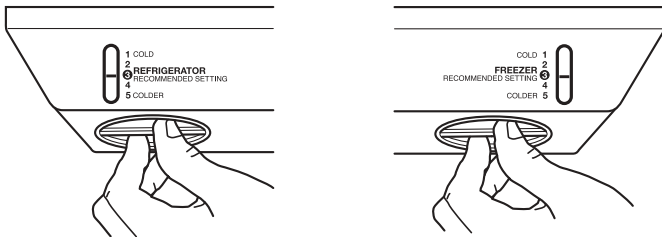
For your convenience, your refrigerator controls are preset at the factory. When you first install your refrigerator, make sure that the controls are still preset to the mid-settings as shown.

NOTE: To turn your refrigerator off, turn the refrigerator control to the word OFF or until the word OFF appears. Your product will not cool when the refrigerator control is set to OFF.

Mid-setting "3"



Mid-setting "3"



IMPORTANT:

- Give your refrigerator time to cool down completely before adding food. It is best to wait 24 hours before you put food into the refrigerator.
- If you add food before the refrigerator has cooled completely, your food may spoil. Adjusting the Refrigerator and Freezer Controls to a higher (colder) than recommended setting will not cool the compartments any faster.

Adjusting Control Settings

The mid-setting(s) indicated in the previous section should be correct for normal household usage. The controls are set correctly when milk or juice is as cold as you like and when ice cream is firm.

If the temperature is too warm or too cold in the refrigerator or freezer, first check the air vents to be sure they are not blocked.

If you need to adjust temperatures, use the settings listed in the chart below as a guide. On models with two controls, adjust the refrigerator temperature first. Wait at least 24 hours between adjustments and then recheck the temperatures.

CONDITION/REASON:	ADJUSTMENT:
REFRIGERATOR too cold - Not set correctly for your conditions	REFRIGERATOR or TEMPERATURE Control one setting lower
REFRIGERATOR too warm - High use or room very warm	REFRIGERATOR or TEMPERATURE Control one setting higher
FREEZER too cold - Not set correctly for your conditions	FREEZER or TEMPERATURE Control one setting lower
FREEZER too warm/too little ice - High use or heavy ice usage	FREEZER or TEMPERATURE Control one setting higher

Ice Maker

(on some models - Accessory)

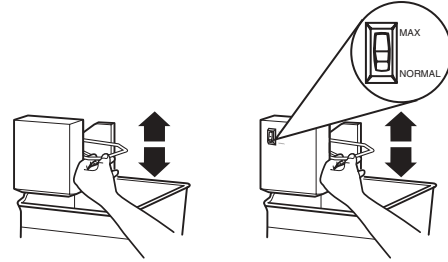
Turning the Ice Maker On/Off

NOTE: Do not force the wire shutoff arm up or down.

- To turn the ice maker on, simply lower the wire shutoff arm.

NOTE: Your ice maker has an automatic shutoff. As ice is made, the ice cubes will fill the ice storage bin and the ice cubes will raise the wire shutoff arm to the OFF (arm up) position.

- To manually turn the ice maker off, lift the wire shutoff arm to the OFF (arm up) position and listen for the click to make sure the ice maker will not continue to operate.



Ice Production Rate

- **NORMAL Ice Production:** The ice maker should produce approximately 8 to 12 batches of ice in a 24-hour period. If ice is not being made fast enough, turn the Freezer Control toward a higher (colder) number in half number steps. (For example, if the control is at 3, move it to between 3 and 4.) Wait 24 hours and, if necessary, gradually turn the Freezer Control to the highest setting, waiting 24 hours between each increase.
- **MAXIMUM Ice Production (on some models):** The ice maker should produce approximately 16 to 20 batches of ice in a 24-hour period. If your refrigerator has the maximum ice production feature, push the switch to MAX.

Remember

- Allow 24 hours to produce the first batch of ice. Discard the first three batches of ice produced.
- The quality of your ice will be only as good as the quality of the water supplied to your ice maker. Avoid connecting the ice maker to a softened water supply. Water softener chemicals (such as salt) can damage parts of the ice maker and lead to poor quality ice. If a softened water supply cannot be avoided, make sure the water softener is operating properly and is well maintained.
- Do not store anything on top of the ice maker or in the ice storage bin.

REFRIGERATOR CARE

Cleaning

⚠ WARNING



Explosion Hazard

Use nonflammable cleaner.

Failure to do so can result in death, explosion, or fire.

Both the refrigerator and freezer sections defrost automatically. However, clean both compartments about once a month to avoid build-up of odors. Wipe up spills immediately.

To Clean Your Refrigerator:

1. Unplug refrigerator or disconnect power.
2. Remove all removable parts from inside, such as shelves, crispers, etc.
3. Hand wash, rinse, and dry removable parts and interior surfaces thoroughly. Use a clean sponge or soft cloth and a mild detergent in warm water.
 - Do not use abrasive or harsh cleaners such as window sprays, scouring cleansers, flammable fluids, cleaning waxes, concentrated detergents, bleaches or cleansers containing petroleum products on plastic parts, interior and door liners or gaskets. Do not use paper towels, scouring pads, or other harsh cleaning tools. These can scratch or damage materials.
 - To help remove odors, you can wash interior walls with a mixture of warm water and baking soda (2 tbs to 1 qt [26 g to 0.95 L] of water).
4. Wash exterior with a clean sponge or soft cloth and a mild detergent in warm water. Do not use abrasive or harsh cleaners. Dry thoroughly with a soft cloth. For additional protection against damage to painted metal exteriors, apply appliance wax (or auto paste wax) with a clean, soft cloth. Do not wax plastic parts.

NOTE: To keep your stainless steel refrigerator looking like new and to remove minor scuffs or marks, it is suggested that you use the manufacturer's approved Stainless Steel Cleaner & Polish.

IMPORTANT: This cleaner is for stainless steel parts only!

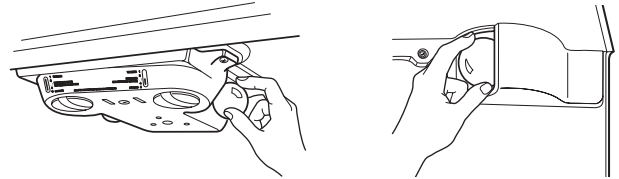
Do not allow the Stainless Steel Cleaner & Polish to come into contact with any plastic parts such as the trim pieces, dispenser covers or door gaskets. If unintentional contact does occur, clean plastic part with a sponge and mild detergent in warm water. Dry thoroughly with a soft cloth.

5. Clean the condenser coils regularly. Coils may need to be cleaned as often as every other month. This may help save energy.
 - Remove the base grille. See the Base Grille graphic in "Refrigerator Doors" or "Base Grille."
 - Use a vacuum cleaner with a soft brush to clean the grille, the open areas behind the grille and the front surface area of the condenser.
 - Replace the base grille when finished.
6. Plug in refrigerator or reconnect power.

Changing the Light Bulbs

NOTE: Not all bulbs will fit your refrigerator. Be sure to replace the bulb with an appliance bulb of the same size, shape, and wattage.

1. Unplug refrigerator or disconnect power.
2. Remove the bulb from behind the control panel in the refrigerator or from behind the light shield in the freezer (on some models). Replace it with an appliance bulb of the same wattage.
3. Plug in refrigerator or reconnect power.



Power Interruptions

If the power will be out for 24 hours or less, keep the door or doors closed (depending on your model) to help food stay cold and frozen.

If the power will be out for more than 24 hours, do one of the following:

- Remove all frozen food and store it in a frozen food locker.
- Place 2 lbs (907 g) of dry ice in the freezer for every cubic foot (28 L) of freezer space. This will keep the food frozen for 2 to 4 days.
- If neither a food locker nor dry ice is available, consume or can perishable food at once.

REMEMBER: A full freezer stays cold longer than a partially filled one. A freezer full of meat stays cold longer than a freezer full of baked goods. If you see that food contains ice crystals, it may be refrozen, although the quality and flavor may be affected. If the condition of the food is poor, dispose of it.

Holiday and Moving Care

Holidays

If you choose to leave the refrigerator on while you're away, use these steps to prepare your refrigerator before you leave.

1. Use up any perishables and freeze other items.
2. If your refrigerator has an automatic ice maker:
 - Raise wire shutoff arm to OFF (up) position.
 - Shut off water supply to the ice maker.
3. Empty the ice bin.

If you choose to turn the refrigerator off before you leave, follow these steps.

1. Remove all food from the refrigerator.
2. If your refrigerator has an automatic ice maker:
 - Turn off the water supply to the ice maker at least one day ahead of time.
 - When the last load of ice drops, raise the wire shutoff arm to the OFF (up) position.
3. Turn the Thermostat Control (or Refrigerator Control, depending on the model) to OFF. See "Using the Controls."
4. Clean refrigerator, wipe it, and dry well.

5. Tape rubber or wood blocks to the tops of both doors to prop them open far enough for air to get in. This stops odor and mold from building up. Take care not to damage the door seal with the blocks.

Moving

When you are moving your refrigerator to a new home, follow these steps to prepare it for the move.

1. If your refrigerator has an automatic ice maker:
 - Turn off the water supply to the ice maker at least one day ahead of time.
 - Disconnect the water line from the back of the refrigerator.
 - When the last load of ice drops, raise the wire shutoff arm to the OFF (up) position.
2. Remove all food from the refrigerator and pack all frozen food in dry ice.

3. Turn the Thermostat Control (or Refrigerator Control, depending on the model) to OFF. See "Using the Controls."
4. Unplug the refrigerator.
5. Empty water from the defrost pan located behind the base grille.
6. Clean, wipe, and dry thoroughly.
7. Take out all removable parts, wrap them well, and tape them together so they don't shift and rattle during the move.
8. For models with leveling legs, adjust the rollers to raise the front of the refrigerator so it rolls more easily. See "Adjust the Doors."
9. Tape the doors shut and tape the power cord to the refrigerator cabinet.

When you get to your new home, put everything back and refer to "Installation Instructions" for preparation instructions. Also, if your refrigerator has an automatic ice maker, remember to reconnect the water supply to the refrigerator.

TROUBLESHOOTING

Try the solutions suggested here first in order to avoid the cost of an unnecessary service call.

Refrigerator Operation

The refrigerator will not operate

⚠ WARNING



Electrical Shock Hazard

Plug into a grounded 3 prong outlet.

Do not remove ground prong.

Do not use an adapter.

Do not use an extension cord.

Failure to follow these instructions can result in death, fire, or electrical shock.

- **Power cord unplugged?** Plug into a grounded 3 prong outlet.
- **Is outlet working?** Plug in a lamp to see if the outlet is working.
- **Household fuse blown or circuit breaker tripped?** Replace the fuse or reset the circuit breaker. If the problem continues, call an electrician.
- **Are controls on?** Make sure the refrigerator controls are on. See "Using the Controls."
- **New installation?** Allow 24 hours following installation for the refrigerator to cool completely.

NOTE: Adjusting the temperature controls to coldest setting will not cool either compartment more quickly.

The motor seems to run too much

Your new refrigerator may run longer than your old one due to its high-efficiency compressor and fans. The unit may run even longer if the room is warm, a large food load is added, doors are opened often, or if the doors have been left open.

The refrigerator seems noisy

Refrigerator noise has been reduced over the years. Due to this reduction, you may hear intermittent noises from your new refrigerator that you did not notice from your old model. Below are listed some normal sounds with explanations.

- **Buzzing** - heard when the water valve opens to fill the ice maker.
- **Pulsating** - fans/compressor adjusting to optimize performance.
- **Hissing/Rattling** - flow of refrigerant, movement of water lines, or from items placed on top of the refrigerator.
- **Sizzling/Gurgling** - water dripping on the heater during defrost cycle.
- **Popping** - contraction/expansion of inside walls, especially during initial cool-down.
- **Water running** - may be heard when water melts during the defrost cycle and runs into the drain pan.
- **Creaking/Cracking** - occurs as ice is being ejected from the ice maker mold.

The doors will not close completely

- **Door blocked open?** Move food packages away from door.
- **Bin or shelf in the way?** Push bin or shelf back in the correct position.
- **Crisper cover in the way?** Make sure the crisper cover is pushed in fully, so that the back rests on the supports.

The doors are difficult to open

WARNING



Explosion Hazard

Use nonflammable cleaner.

Failure to do so can result in death, explosion, or fire.

- **Gaskets dirty or sticky?** Clean gaskets and contact surfaces with mild soap and warm water. Rinse and dry with soft cloth.

The lights do not work

- **Is a light bulb loose in the socket or burned out?** See “Changing the Light Bulbs.”

Temperature and Moisture

Temperature is too warm

- **New installation?** Allow 24 hours following installation for the refrigerator to cool completely.
- **Door(s) opened often or left open?** Allows warm air to enter refrigerator. Minimize door openings and keep doors fully closed.
- **Large load of food added?** Allow several hours for refrigerator to return to normal temperature.
- **Controls set correctly for the surrounding conditions?** Adjust the controls a setting colder. Check temperature in 24 hours. See “Using the Controls.”

There is interior moisture buildup

NOTE: Some moisture buildup is normal.

- **Humid room?** Contributes to moisture buildup.
- **Door(s) opened often or left open?** Allows humid air to enter refrigerator. Minimize door openings and keep doors fully closed.

Ice and Water

The ice maker is not producing ice or not enough ice

- **Refrigerator connected to a water supply and the supply shutoff valve turned on?** Connect refrigerator to water supply and turn water shutoff valve fully open.
- **Kink in the water source line?** A kink in the line can reduce water flow. Straighten the water source line.
- **Ice maker turned on?** Make sure wire shutoff arm or switch (depending on model) is in the ON position.
- **New installation?** Wait 24 hours after ice maker installation for ice production to begin. Wait 72 hours for full ice production.
- **Large amount of ice recently removed?** Allow 24 hours for ice maker to produce more ice.
- **Ice cube jammed in the ice maker ejector arm?** Remove ice from the ejector arm with a plastic utensil.
- **Reverse osmosis water filtration system connected to your cold water supply?** This can decrease water pressure. See “Water Supply Requirements.”

The ice cubes are hollow or small

NOTE: This is an indication of low water pressure.

- **Water shutoff valve not fully open?** Turn the water shutoff valve fully open.
- **Kink in the water source line?** A kink in the line can reduce water flow. Straighten the water source line.
- **Reverse osmosis water filtration system connected to your cold water supply?** This can decrease water pressure. See “Water Supply Requirements.”
- **Questions remain regarding water pressure?** Call a licensed, qualified plumber.

Off-taste, odor or gray color in the ice

- **New plumbing connections?** New plumbing connections can cause discolored or off-flavored ice.
- **Ice stored too long?** Discard ice. Wash ice bin. Allow 24 hours for ice maker to make new ice.
- **Odor transfer from food?** Use airtight, moisture proof packaging to store food.
- **Are there minerals (such as sulfur) in the water?** A water filter may need to be installed to remove the minerals.

ASSISTANCE OR SERVICE

Before calling for assistance or service, please check "Troubleshooting." It may save you the cost of a service call. If you still need help, follow the instructions below.

Contact the dealer from whom you purchased the refrigerator or a Whirlpool designated service company.

If you need replacement parts

Look for quality replacement parts whenever you need a replacement part for your Whirlpool appliance.

To locate factory specified replacement parts in your area, contact the dealer from whom you purchased your refrigerator or a Whirlpool designated service center.

Warranty

Contact the dealer from whom you purchased the refrigerator for warranty information.

Keep this book and your sales slip together for future reference. You must provide proof of purchase or installation date for in-warranty service.

Write down the following information about your appliance to help you obtain assistance or service if you ever need it. You will need to know your complete model number and serial number. You can find this information on the model and serial number label, located on the inside wall of the refrigerator compartment.

Dealer name _____

Serial number _____

Address _____

Phone number _____

Model number _____

Purchase date _____

ÍNDICE

SEGURIDAD DEL FRIGORÍFICO	15	Uso de los controles.....	23
Cómo deshacerse adecuadamente de su frigorífico viejo	16	Cómo ajustar la posición de los controles.....	23
INSTRUCCIONES DE INSTALACIÓN	16	Fábrica de hielo	23
Requisitos de ubicación	17	CUIDADO DEL FRIGORÍFICO	24
Requisitos eléctricos	17	Limpieza.....	24
Requisitos del suministro de agua	18	Cómo cambiar las bombillas.....	24
Conexión del suministro de agua.....	18	Cortes de corriente	24
Complete la instalación	19	Cuidado para las vacaciones y las mudanzas.....	24
Puertas del frigorífico.....	19	SOLUCIÓN DE PROBLEMAS	25
Ajuste las puertas	22	Temperatura y humedad.....	26
USO DEL FRIGORÍFICO	22	Hielo y agua	26
Cómo asegurar la debida circulación de aire	22	AYUDA O SERVICIO TÉCNICO	27

SEGURIDAD DEL FRIGORÍFICO

Su seguridad y la seguridad de los demás es muy importante.

Hemos incluido muchos mensajes importantes de seguridad en este manual y en su electrodoméstico. Lea y obedezca siempre todos los mensajes de seguridad.



Este es el símbolo de advertencia de seguridad.

Este símbolo le llama la atención sobre peligros potenciales que pueden ocasionar la muerte o una lesión a usted y a los demás.

Todos los mensajes de seguridad irán a continuación del símbolo de advertencia de seguridad y de la palabra "PELIGRO" o "ADVERTENCIA". Estas palabras significan:

PELIGRO

Si no sigue las instrucciones de inmediato, usted puede morir o sufrir una lesión grave.

ADVERTENCIA

Si no sigue las instrucciones, usted puede morir o sufrir una lesión grave.

Todos los mensajes de seguridad le dirán el peligro potencial, le dirán cómo reducir las posibilidades de sufrir una lesión y lo que puede suceder si no se siguen las instrucciones.

INSTRUCCIONES IMPORTANTES DE SEGURIDAD

ADVERTENCIA: Para reducir el riesgo de incendio, descarga eléctrica, o lesiones personales al usar su frigorífico siga estas precauciones básicas:

- Conecte a un enchufe de conexión a tierra.
- No quite el terminal de conexión a tierra.
- No use un adaptador.
- No use un cable eléctrico de extensión.
- Desconecte el suministro de energía antes de darle servicio.
- Vuelva a colocar todos los componentes y paneles antes de hacerlo funcionar.
- Desmonte las puertas de su frigorífico viejo.
- Use un limpiador no inflamable.
- Mantenga los materiales y vapores inflamables, tales como gasolina, alejados del frigorífico.
- Son necesarias dos o más personas para mover e instalar el frigorífico.
- Desconecte el suministro de energía antes de instalar la fábrica de hielo (en aquellos modelos que incluyen el juego de instalación de la fábrica de hielo).
- Un técnico de mantenimiento autorizado debe instalar la línea de agua y la fábrica de hielo.
- Use un vaso resistente para recibir hielo del despachador (en algunos modelos).
- Este electrodoméstico no está diseñado para ser utilizado por niños pequeños o personas débiles sin supervisión.
- Los niños pequeños deben ser supervisados para asegurarse de que no juegan con el electrodoméstico.
- Si el cable de suministro de energía está dañado, debe ser reemplazado por el fabricante o un técnico de mantenimiento autorizado u otra persona igualmente autorizada para evitar peligros.

CONSERVAR ESTAS INSTRUCCIONES

Cómo deshacerse adecuadamente de su refrigerador viejo

⚠️ ADVERTENCIA

Peligro de Asfixia

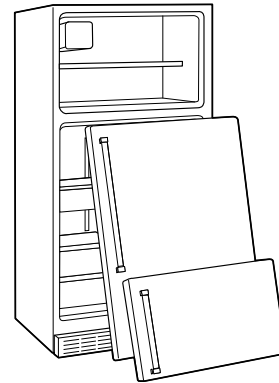
Desmonte las puertas de su refrigerador viejo.

No seguir esta instrucción puede ocasionar la muerte o daño al cerebro.

IMPORTANTE: El atrapamiento y asfixia de niños no es un problema del pasado. Los refrigeradores tirados y abandonados son un peligro, aún si van a quedar ahí “por unos pocos días”. Si Ud. está por deshacerse de su refrigerador viejo, por favor siga las instrucciones que se dan a continuación para prevenir accidentes.

Antes de tirar su viejo refrigerador o congelador:

- Desmonte las puertas.
- Deje los estantes en su lugar así los niños no pueden meterse adentro con facilidad.



INSTRUCCIONES DE INSTALACIÓN

Desembale el refrigerador

⚠️ ADVERTENCIA

Peligro de Peso Excesivo

Son necesarias dos o más personas para mover e instalar el refrigerador.

El no hacerlo puede ocasionarle daño a la espalda u otras partes del cuerpo.

IMPORTANTE: No quite la pieza de espuma blanca de retorno de aire que está ubicada detrás del panel de control en el techo del refrigerador (en algunos modelos). Esta pieza es parte del refrigerador y no es material de embalaje. Si se quita dicha pieza, el hielo del congelador puede bajar y formar carámbanos.

Cuando mueva su refrigerador:

Su refrigerador es pesado. Cuando mueva su refrigerador para limpiarlo o darle servicio, proteja el piso. Al mover el refrigerador, siempre tire directamente hacia afuera. No menea el refrigerador de lado a lado ni lo haga “caminar” cuando lo trate de mover ya que podría dañar el piso.

Cómo quitar los materiales de embalaje

- Quite las cintas y goma de su refrigerador antes de usarlo. Para eliminar los residuos de cinta o goma, frote el área energicamente con su dedo pulgar. Los residuos de la cinta adhesiva o goma también pueden quitarse fácilmente frotando un poco de detergente líquido para vajillas sobre el adhesivo con los dedos. Limpie con agua tibia y seque.
- No use instrumentos afilados, alcohol para fricciones, líquidos inflamables o productos de limpieza abrasivos para eliminar los restos de cinta o goma. Estos productos pueden dañar la superficie de su refrigerador. Para más información, vea la sección “Seguridad del refrigerador”.
- En algunos modelos, los estantes, recipientes, rieles para los estantes de las puertas y otras partes pueden estar en el Paquete de piezas interior. Siga las instrucciones contenidas en el paquete para lograr un ensamblaje adecuado.

Limpieza antes del uso

Una vez que usted haya quitado todos los materiales de embalaje, limpie el interior de su refrigerador antes de usarlo. Vea las instrucciones de limpieza en “Cuidado de su refrigerador”.

Información importante sobre los estantes y tapas de vidrio:

No limpie los estantes y tapas de vidrio con agua caliente cuando estén fríos. Los estantes y tapas se podrían romper debido al cambio brusco de temperatura o por el impacto, como un golpe. Para su seguridad, el vidrio templado está diseñado para romperse en pequeños fragmentos. Esto es normal. Los estantes y tapas de vidrio pesan mucho. Manéjelos con cuidado cuando los retire para evitar que se caigan y se rompan.

Requisitos de ubicación

⚠ **ADVERTENCIA**



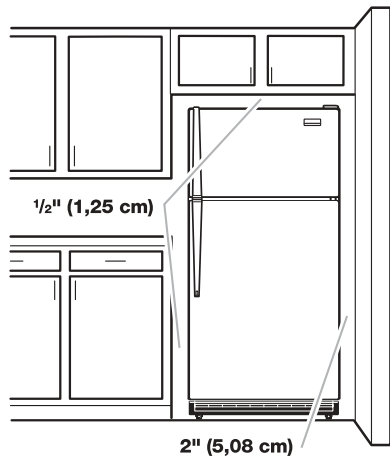
Peligro de Explosión

Mantenga materiales inflamables y vapores, tales como gasolina, alejados del frigorífico.

El no hacerlo puede ocasionarle la muerte, explosión o incendio.

Para asegurar la adecuada ventilación para su frigorífico, deje un espacio de ½" (1,25 cm) a cada lado y por encima. Si Ud. instala el frigorífico próximo a una pared fija, deje como mínimo 2" (5,08 cm) del lado de la bisagra (algunos modelos necesitan más espacio) para permitir que la puerta abra bien. Si su frigorífico tiene fábrica de hielo, asegúrese de que hay espacio adicional atrás para las conexiones de la línea de agua.

NOTA: No se recomienda instalar el frigorífico cerca de un horno, radiador u otra fuente de calor. No instale el frigorífico en un lugar donde la temperatura puede ser menor de 55°F (13°C).



Requisitos eléctricos

⚠ **ADVERTENCIA**



Peligro de descarga eléctrica

Conecte a un enchufe de conexión a tierra de 3 terminales.

No quite el terminal de conexión a tierra.

No use un adaptador.

No use un cable eléctrico de extensión.

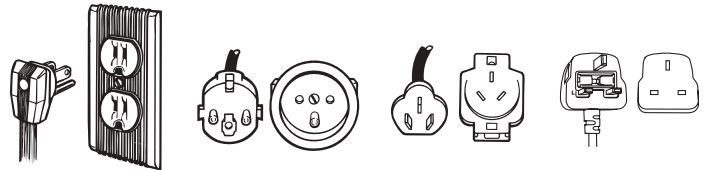
No seguir estas instrucciones puede ocasionar la muerte, incendio o descarga eléctrica.

Antes de mover el frigorífico a su ubicación final, es importante asegurarse de que tiene la conexión eléctrica adecuada.

Método de conexión a tierra recomendado

Enchufe 1: Se requiere una fuente de energía eléctrica de 115 Voltios, 60 Hz., CA solamente y con fusibles de 15 ó 20 amperios, conectados a tierra.

Enchufes 2, 3 y 4: Se requiere una fuente de energía eléctrica de 220/240 Voltios/50 Hz., ó 220 Voltios/60 Hz., CA solamente y con fusibles de 10 amperios, conectados a tierra.



Enchufe 1

Enchufe 2

Enchufe 3

Enchufe 4

Se recomienda que use un circuito separado sólo para su frigorífico. Use una toma de corriente que no se pueda apagar con un interruptor. No use un cable eléctrico de extensión.

NOTA: Antes de realizar cualquier tipo de instalación, limpie o de quitar una bombilla, ponga el control (del termostato, del frigorífico o del congelador dependiendo del modelo) en la posición OFF (Apagado) y luego desconecte el frigorífico de la fuente de energía. Cuando haya terminado, reconecte el frigorífico a la fuente de energía eléctrica y vuelva a fijar el control (del termostato, del frigorífico o del congelador dependiendo del modelo) en la posición deseada.

Requisitos del suministro de agua

Reúna las herramientas y piezas necesarias antes de comenzar la instalación. Lea y siga las instrucciones provistas con cualquiera de las siguientes herramientas.

HERRAMIENTAS NECESARIAS:

- Destornillador de hoja plana
- Broca de ¼"
- Llaves de boca de 7/16" y ½" o dos llaves ajustables
- Taladro manual o eléctrico (debidamente conectado a tierra)
- Llave de tuercas de ¼"

NOTA: El distribuidor de su frigorífico tiene un juego de válvula de cierre tipo montura de ¼" (6,35 mm), una unión y tubería de cobre. Antes de comprar, asegúrese de que la válvula del tipo montura cumple con los códigos de fontanería locales. No use una válvula perforadora o una válvula de montura de 3/16" (4,76 mm) que reduce el flujo de agua y se obstruye con más facilidad.

IMPORTANTE:

- Todas las instalaciones deben hacerse de acuerdo a los requerimientos locales de fontanería.
- Use tubería de cobre y revise si hay fugas. Instale la tubería de cobre sólo en áreas donde la temperatura vaya a permanecer por encima del punto de congelación.

Presión del agua

Se necesita un suministro de agua fría con presión de agua entre 30 y 120 lbs/pulg² (207 y 827 kPa) para hacer funcionar el despachador de agua y la fábrica de hielo. Si tiene preguntas acerca de la presión del agua, llame a un fontanero competente autorizado.

Suministro de agua de ósmosis inversa

IMPORTANTE: La presión del suministro de agua que sale de un sistema de ósmosis inversa y va a la válvula de entrada de agua del frigorífico necesitará ser de entre 30 y 120 lbs/pulg² (207 y 827 kPa).

Si se conecta un sistema de filtración de agua de ósmosis inversa al suministro de agua fría, la presión de agua al sistema de ósmosis inversa necesitará ser de un mínimo de 40 a 60 lbs/pulg² (276 a 414 kPa).

Si la presión de agua hacia el sistema de ósmosis inversa es menor de 40 a 60 lbs/pulg² (276 a 414 kPa):

- Fíjese si el filtro de sedimentos en el sistema de ósmosis inversa está bloqueado. Reemplácelo si fuera necesario.
- Deje que se vuelva a llenar el tanque de almacenaje del sistema de ósmosis inversa después del uso intenso.

Si tiene preguntas acerca de la presión del agua, llame a un fontanero competente autorizado.

Conexión del suministro de agua

Lea todas las instrucciones antes de comenzar.

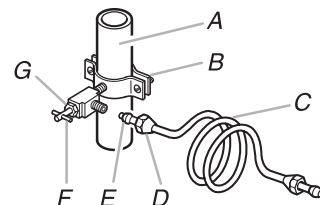
IMPORTANTE: Si usa el frigorífico antes de conectar la tubería de agua, ponga la fábrica de hielo en la posición OFF (Apagado).

Conexión a la línea de agua

1. Desenchufe el frigorífico o desconecte el suministro de energía.
2. CIERRE el suministro principal de agua. ABRA la llave de agua más cercana el tiempo suficiente para que la tubería de agua se vacíe.
3. Busque una tubería vertical de agua fría de ½" a 1¼" (1,25 cm a 3,18 cm) cercana al frigorífico.

IMPORTANTE:

- Asegúrese de que sea una tubería de agua fría.
 - Una tubería horizontal funcionará, pero taladre por el lado de arriba de la tubería, no por debajo. Esto ayudará a mantener el agua alejada del taladro. Esto también evita que se junte sedimento normal en la válvula.
4. Determine la longitud de la tubería de cobre que necesite. Mida desde la conexión de la parte baja trasera izquierda del frigorífico hasta la tubería de agua. Agregue 7 pies (2,1 m) para poder mover el frigorífico para limpiarlo. Use tubería de cobre de ¼" (6,35 mm) de diámetro externo. Asegúrese de que ambos extremos de la tubería de cobre están cortados a escuadra.
 5. Usando un taladro conectado a tierra, haga un orificio de ¼" en la tubería de agua fría que Ud. eligió.

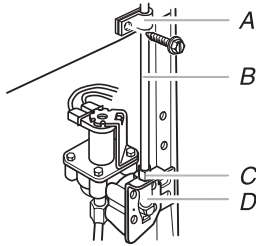


- A. Tubería de agua fría
- B. Abrazadera para tubería
- C. Tubería de cobre
- D. Tuerca de compresión
- E. Manga de compresión
- F. Válvula de cierre
- G. Tuerca de presión

6. Afiance la válvula de cierre a la tubería de agua fría con una abrazadera para tubería. Asegúrese de que el extremo de salida esté firmemente insertado en el orificio taladrado de ¼" en la tubería de agua y que la arandela esté por debajo de la abrazadera para tubería. Apriete la tuerca de presión. Apriete los tornillos de la abrazadera para tubería lentamente y en forma pareja de manera que la arandela provea un cierre hermético. No apriete demasiado porque se puede quebrar la tubería de cobre.
7. Deslice la manga de compresión y la tuerca de compresión sobre la tubería de cobre como se muestra. Inserte el extremo de la tubería en el extremo de salida directamente hasta donde sea posible. Atornille la tuerca de compresión con el extremo de salida usando la llave inglesa ajustable. No apriete demasiado.
8. Coloque el extremo libre de la tubería en un recipiente o fregadero y ABRA el suministro principal de agua. Enjuague la tubería hasta que el agua salga limpia. CIERRE la válvula de cierre del tubo de agua. Enrolle la tubería de cobre.

Conexión al frigorífico

1. Desenchufe el frigorífico o desconecte el suministro de energía.
2. Fije el tubo de cobre a la entrada de la válvula usando una tuerca de compresión y manga de compresión como se muestra. Ajuste la tuerca de compresión. No apriete demasiado.
3. Use la abrazadera para tubería en la parte trasera del frigorífico para afianzar la tubería al frigorífico según se muestra. Esto ayudará a evitar daños en la tubería cuando el frigorífico se empuje nuevamente contra la pared.
4. ABRA la válvula de cierre.
5. Revise si hay fugas. Apriete las conexiones (incluso las de la válvula) o tuercas que tienen fugas.



A. Abrazadera para tubería
B. Tubería de cobre
C. Tuerca de compresión
D. Entrada de válvula

6. La fábrica de hielo está equipada con un filtro de agua incorporado. Si las condiciones del agua local requieren un segundo filtro de agua, se debe instalar en la línea de agua de $\frac{1}{4}$ " (6,35 mm) en cualquiera de las conexiones de la tubería. Obtenga un filtro de agua en el distribuidor de electrodomésticos más cercano a su domicilio.

Complete la instalación

⚠ ADVERTENCIA



Peligro de descarga eléctrica

Conecte a un enchufe de conexión a tierra de 3 terminales.

No quite el terminal de conexión a tierra.

No use un adaptador.

No use un cable eléctrico de extensión.

No seguir estas instrucciones puede ocasionar la muerte, incendio o descarga eléctrica.

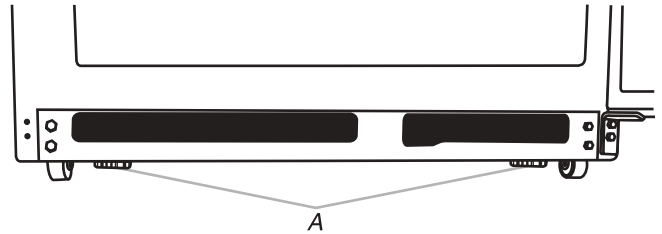
1. Conecte a un enchufe de conexión a tierra de 3 terminales.
NOTA: Deje transcurrir 24 horas para la producción del primer lote de hielo. Deshágase de los tres primeros lotes de hielo producidos. Deje transcurrir 3 días para que se vuelva a llenar de hielo el recipiente.
2. Mueva el frigorífico hacia su ubicación final.

Nivelación del frigorífico (modelos con patas niveladoras)

Las dos patas niveladoras que están en el frente inferior del frigorífico deberán hacer contacto con el piso, para apoyar y estabilizar el peso total del frigorífico.

1. Quite la rejilla de la base. Vea la ilustración Rejilla de la base en "Puertas del frigorífico".
2. Baje las patas niveladoras girándolas hacia la derecha hasta que queden firmes contra el piso.

IMPORTANTE: Para evitar que el piso se raye cuando mueva el frigorífico, ajuste los rodillos frontales $\frac{1}{8}$ " a $\frac{1}{4}$ " para levantar las patas niveladoras por encima del piso. Una vez que el frigorífico esté en su ubicación final, ajuste los rodillos delanteros de manera que las patas niveladoras queden firmemente contra el piso.



A. Patas niveladoras

3. Coloque un nivel de carpintero encima del frigorífico, para ver si está nivelado de lado a lado.
4. Vuelva a colocar la rejilla de la base.

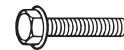
Puertas del frigorífico

HERRAMIENTAS NECESARIAS: Llave de cubo de cabeza hexagonal de $\frac{5}{16}$ ", destornillador Phillips # 2, destornillador de hoja plana, llave de boca de $\frac{5}{16}$ ", cuchillo plano para masilla de 2".

IMPORTANTE:

- Todas las ilustraciones a las que se hace referencia en las siguientes instrucciones se incluyen más adelante en esta sección después de "Pasos finales". Las ilustraciones muestran un frigorífico con sentido de apertura hacia la derecha (bisagras instaladas de fábrica a la derecha).
- Si usted sólo quiere quitar las puertas y volverlas a colocar, vea las secciones "Cómo quitar las puertas y las bisagras" y "Cómo volver a poner las puertas y las bisagras en su lugar".
- Dependiendo de su modelo, puede ser que usted tenga puertas estándar (**Estilo 1**) o contorneadas (**Estilo 2**). Si usted va a invertir el sentido de apertura de la puerta, siga las instrucciones para el estilo de puerta adecuado.
- Antes de comenzar, gire el control del frigorífico a apagado (OFF), saque los alimentos y la puerta regulable o los recipientes de uso general de las puertas.

Cómo quitar las puertas y las bisagras (todos los modelos)



Tornillo para bisagra de cabeza hexagonal de $\frac{5}{16}$ "

1. Desenchufe el frigorífico o desconecte el suministro de energía.
2. Abra la puerta del frigorífico y quite la rejilla de la base del frente inferior del mismo. Vea la ilustración Rejilla de la base.
3. Cierre la puerta del frigorífico y mantenga las dos puertas cerradas hasta que esté listo para separarlas de la carcasa.
NOTA: Mientras quita las bisagras siempre disponga de un soporte adicional para las puertas. No se confíe en que los imanes de las puertas van a sostener las puertas mientras trabaja.
4. Quite los componentes de la bisagra superior como se muestra en la ilustración Bisagra superior. Levante la puerta del congelador para separarla de la carcasa.

- Quite los componentes de la bisagra central como se muestra en la ilustración de la Bisagra central. Levante y quite la puerta del frigorífico.
- Quite los componentes de la bisagra inferior como se muestra en la ilustración Bisagra inferior.

Cambio del sentido de apertura de las puertas - puerta estándar (opcional)

IMPORTANTE: Siga estas instrucciones si desea que las puertas abran en el sentido opuesto. Si no desea cambiar el sentido de apertura de las puertas, vea “Cómo volver a poner las puertas y bisagras en su lugar”.



Tornillo de tope de la puerta



Tapón del orificio de la bisagra de la puerta



Tornillo sellador de la manilla de la puerta



Tapón del orificio de la bisagra de la carcasa



Tornillo de cabeza plana para la manilla



Tapa del tornillo de la manilla de la puerta



Tornillo sellador frontal de la manilla de la puerta



Tornillo de cabeza redonda para la manilla

Carcasa

- Quite los tornillos de cabeza hexagonal de 5/16" de la bisagra del lado de la manilla y colóquelos del lado opuesto. Vea la ilustración 1-1.
- Quite los tapones de los orificios de las bisagras de la parte superior de la carcasa y colóquelos en los orificios de la bisagra del lado opuesto como se muestra en las ilustraciones 1-2.

Puerta del congelador

- Quite el montaje de la manilla del congelador como se indica. Conserve juntos todos los componentes. Vea la ilustración 2.
- Quite el freno de la puerta. Colóquelo del lado opuesto de la puerta del congelador como se indica en la ilustración 5.
- Coloque la manilla del congelador del lado opuesto de la puerta del congelador. Instale las manillas en la puerta como se indica en la ilustración 2.
- Apriete todos los tornillos. Ponga la puerta a un lado hasta que las bisagras y la puerta del compartimiento del frigorífico estén en su sitio.

Puerta del frigorífico

- Quite el adorno inferior de la manilla del frigorífico. Para el **Estilo 1**, quite la tapa del tornillo de la manilla. Vea la ilustración 6-1. Para el **Estilo 2**, deslice el adorno hacia abajo como se indica en la ilustración 6-2.
- Quite el montaje de la manilla del frigorífico como se indica. Conserve juntos todos los componentes. Vea la ilustración 6-3.
- Quite el tapón del orificio de la bisagra de la puerta del frigorífico. Colóquelo en el orificio de la bisagra del lado opuesto, como se indica en la ilustración 3.
- Quite los tornillos selladores de la manilla de la puerta. Colóquelos del lado opuesto de la puerta del frigorífico, como se indica en la ilustración 4.
- Quite el tapón de enfrente del tornillo sellador de la manilla de la puerta. Colóquelo del lado opuesto de la puerta del frigorífico, como se indica en la ilustración 7.
- Quite el freno de la puerta. Colóquelo del lado opuesto de la puerta del frigorífico, como se indica en la ilustración 5.
- Coloque la manilla del frigorífico del lado opuesto de la puerta del frigorífico como se indica en la ilustración 6-3. Primero atornille los dos tornillos superiores en la manilla. Alinee la parte de abajo de la manilla y atornille el tornillo de abajo.
- Alinee el adorno inferior de la manilla del frigorífico. Para el **Estilo 1**, vuelva a colocar la tapa del tornillo de la manilla. Vea la ilustración 6-1. Para el **Estilo 2**, deslice el adorno a su lugar. Vea la ilustración 6-2.
- Apriete todos los tornillos. Ponga la puerta del frigorífico a un lado hasta que se haya instalado la bisagra inferior en el producto.

Cambio del sentido de apertura de las puertas - puerta contorneada (opcional)

IMPORTANTE: Siga estas instrucciones si desea que las puertas abran en el sentido opuesto. Si no desea cambiar el sentido de apertura de las puertas, vea “Cómo volver a poner las puertas y bisagras en su lugar”.

Carcasa

- Quite los tornillos de cabeza hexagonal de 5/16" de la bisagra del lado de la manilla y colóquelos del lado opuesto. Vea la ilustración 1-1.
- Quite los tapones de los orificios de las bisagras de la parte superior de la carcasa y colóquelos en los orificios de la bisagra del lado opuesto como se muestra en las ilustraciones 1-2.

Puertas

- Quite los frenos de la puerta del congelador y del frigorífico y póngalos en el lado opuesto. Vea la ilustración 5.

Cómo volver a colocar las puertas y las bisagras (todos los modelos)

NOTA: Si el sentido de apertura de la puerta se cambia, la imagen de la puerta pudiera quedar invertida.

- Vuelva a poner los componentes de la bisagra inferior en su sitio como se indica, y apriete los tornillos. Vea la ilustración Bisagra inferior. Vuelva a poner en su lugar la puerta del frigorífico.

NOTA: Mientras quita las bisagras siempre disponga de un soporte adicional para las puertas. No se confíe en que los imanes de las puertas van a sostener las puertas mientras trabaja.

- Arme los componentes de la bisagra central como se indica y atornille todos los tornillos. Vea la ilustración de la bisagra central. Vuelva a poner en su lugar la puerta del congelador.
- Monte los componentes de la bisagra superior como se muestra en la ilustración Bisagra superior. No atornille completamente los tornillos.
- Alinee las puertas de tal manera que la parte inferior de la puerta del congelador esté alineada uniformemente con la parte superior de la puerta del frigorífico. Apriete todos los tornillos.

Pasos finales (todos los modelos)

- Revise todos los orificios para cerciorarse que los tapones de los orificios y los tornillos estén en su lugar. Vuelva a colocar la tapa de la bisagra superior, como se muestra en la ilustración Bisagra superior.
- Vuelva a colocar la rejilla de la base. Vea la ilustración Rejilla de la base.

⚠ ADVERTENCIA



Peligro de descarga eléctrica

Conecte a un enchufe de conexión a tierra de 3 terminales.

No quite el terminal de conexión a tierra.

No use un adaptador.

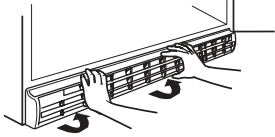
No use un cable eléctrico de extensión.

No seguir estas instrucciones puede ocasionar la muerte, incendio o descarga eléctrica.

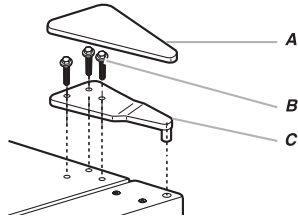
- Conecte a un enchufe de conexión a tierra de 3 terminales.
- Vuelva a ajustar los controles. Vea “Uso del(de los) control(es)”.
- Vuelva a colocar todas las partes móviles en las puertas y la comida en el frigorífico.

Cómo quitar y volver a poner la puerta en su lugar

Rejilla de la base

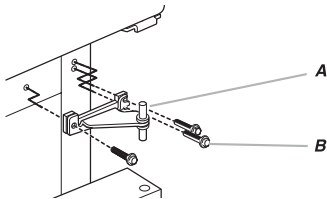


Bisagra superior



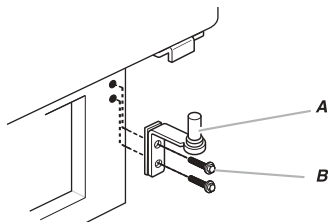
- A. Tapa de la bisagra superior
- B. Tornillos de cabeza hexagonal para bisagra de 5/16"
- C. Bisagra superior

Bisagra central



- A. Bisagra central
- B. Tornillos de cabeza hexagonal para bisagra de 5/16"

Bisagra inferior

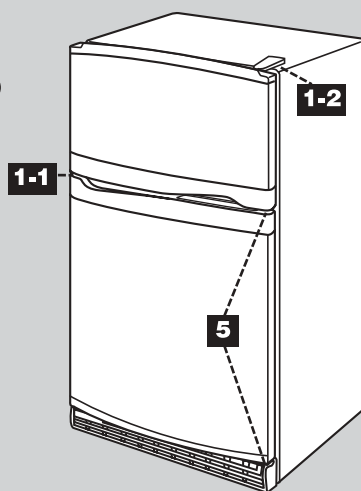


- A. Bisagra inferior
- B. Tornillos de cabeza hexagonal para bisagra de 5/16"

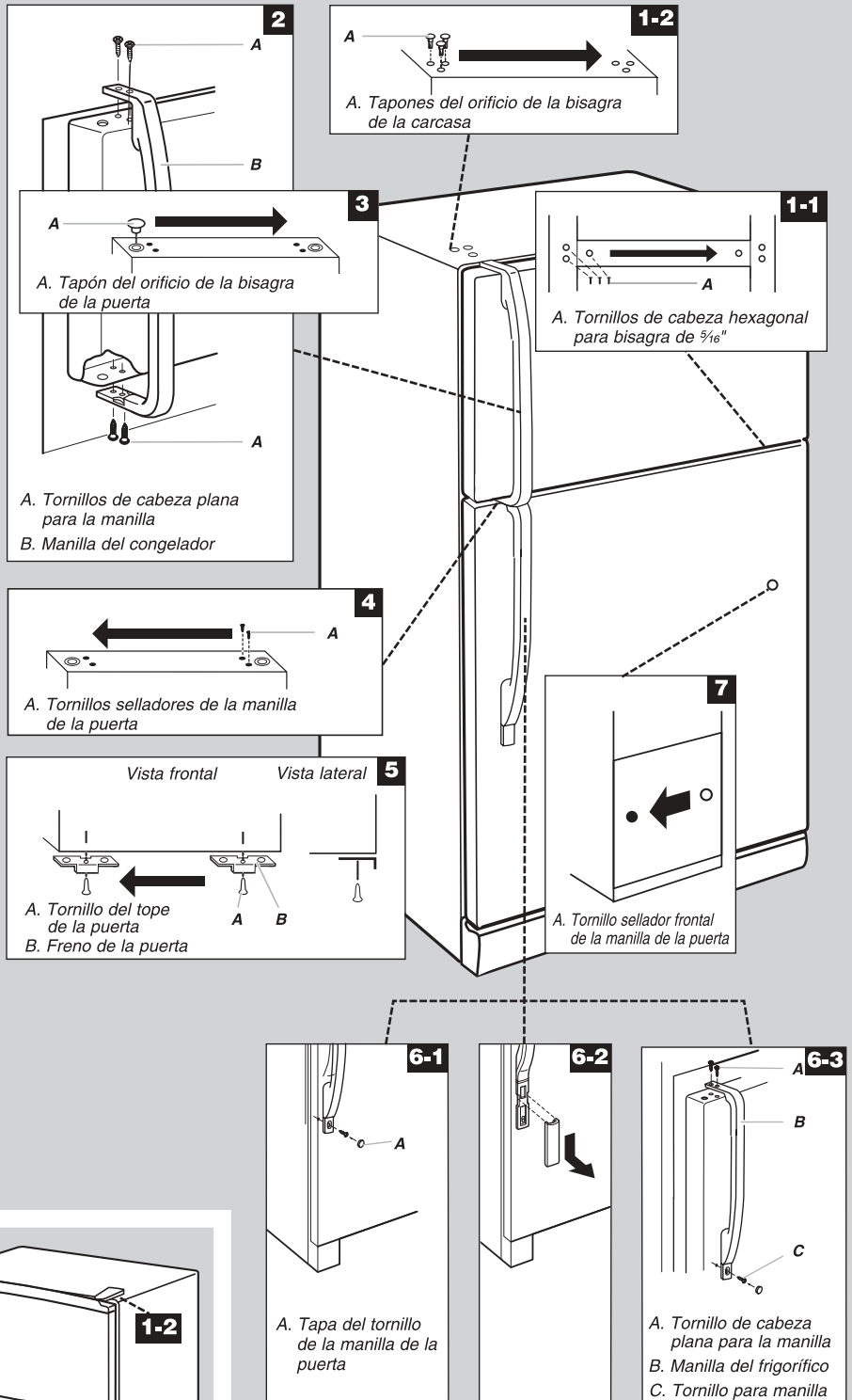
Puerta contorneada - Cómo invertir el sentido de apertura de la puerta (opcional)

Para invertir el sentido de apertura de una puerta contorneada, simplemente invierta las bisagras.

Tome como referencia las ilustraciones indicadas que se encuentran en "Cambio del sentido de apertura de las puertas - Puerta estándar".



Puerta estándar - Cómo invertir el sentido de apertura (opcional)



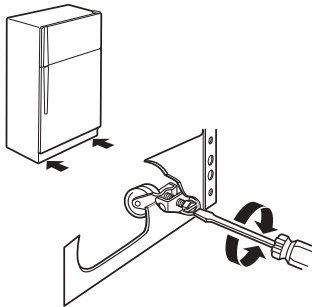
Ajuste las puertas

Su frigorífico tiene dos rodillos frontales regulables - uno a la derecha y otro a la izquierda. Si su frigorífico parece inestable o usted desea que las puertas se cierren con mayor facilidad, ajuste la inclinación del frigorífico empleando las instrucciones siguientes.

Cierre de la puerta (modelos sin patas niveladoras)

1. Quite la rejilla de la base. Vea la ilustración Rejilla de la base en "Puertas del frigorífico". Los dos tornillos reguladores son parte de las piezas de montaje del rodillo frontal, que están en la base del frigorífico a cada lado.
2. Usando un destornillador, gire el tornillo regulador hacia la derecha para levantar ese lado del frigorífico o gire el tornillo regulador hacia la izquierda para bajar ese lado. Puede necesitar darle varias vueltas a los tornillos reguladores para ajustar la inclinación del frigorífico.

NOTA: Para simplificar el ajuste de los tornillos, haga que alguien empuje la parte superior del frigorífico, lo cual quita el peso de los tornillos reguladores y los rodillos. Esto facilita el ajuste de los tornillos.

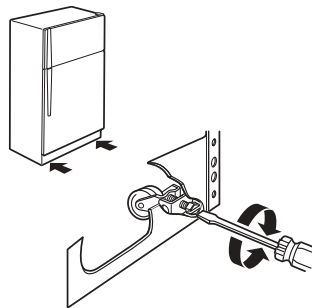


3. Abra ambas puertas nuevamente y compruebe que se cierran con la facilidad que usted desea. De lo contrario, incline el frigorífico ligeramente más hacia la parte posterior, girando ambos tornillos reguladores hacia la derecha. Puede necesitar varias vueltas más, y usted deberá girar ambos tornillos reguladores la misma cantidad de veces.
4. Vuelva a colocar la rejilla de la base.

Cierre de la puerta (modelos con patas niveladoras)

1. Quite la rejilla de la base. Vea la ilustración Rejilla de la base en "Puertas del frigorífico". Los dos tornillos reguladores son parte de las piezas de montaje del rodillo frontal, que están en la base del frigorífico a cada lado.
2. Usando un destornillador, gire el tornillo regulador hacia la derecha para levantar ese lado del frigorífico o gire el tornillo regulador hacia la izquierda para bajar ese lado. Puede necesitar darle varias vueltas a los tornillos reguladores para ajustar la inclinación del frigorífico.

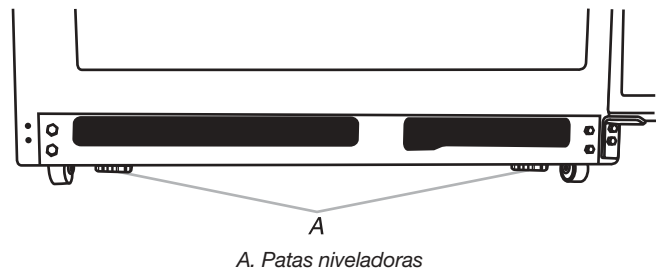
NOTA: Para simplificar el ajuste de los tornillos, haga que alguien empuje la parte superior del frigorífico, lo cual quita el peso de los tornillos reguladores y los rodillos. Esto facilita el ajuste de los tornillos.



3. Abra ambas puertas nuevamente y compruebe que se cierran con la facilidad que usted desea. De lo contrario, incline el frigorífico ligeramente más hacia la parte posterior, girando ambos tornillos reguladores hacia la derecha. Puede necesitar varias vueltas más, y usted deberá girar ambos tornillos reguladores la misma cantidad de veces.

4. Gire ambas patas niveladoras hacia la derecha, hasta que las mismas estén firmemente contra el piso.

IMPORTANTE: Para evitar que el piso se raye cuando mueva el frigorífico, ajuste los rodillos frontales para levantar las patas niveladoras $\frac{1}{8}$ " a $\frac{1}{4}$ " por encima del piso. Una vez que el frigorífico esté en su ubicación final, ajuste los rodillos delanteros de manera que las patas niveladoras queden firmemente contra el piso.



5. Vuelva a colocar la rejilla de la base.

Alineamiento de las puertas

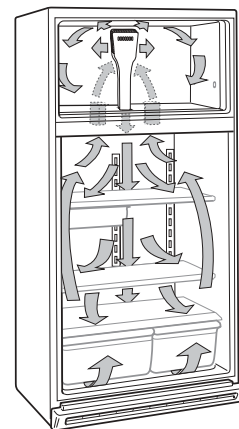
Si el espacio entre sus puertas parece desigual, puede ajustar la puerta usando las instrucciones siguientes:

1. Quite la cubierta de la bisagra superior.
2. Afloje los tornillos de la bisagra superior usando una llave de cubo o de tuercas de $\frac{5}{16}$ ".
3. Ponga a una persona para sostener la puerta en su lugar o coloque entre las puertas algo que mantenga el espacio mientras usted ajusta los tornillos de la bisagra superior.
4. Vuelva a colocar la cubierta de la bisagra superior.

USO DEL FRIGORÍFICO

Cómo asegurar la debida circulación de aire

Para asegurar las temperaturas adecuadas, debe permitir un flujo de aire entre la sección del frigorífico y la del congelador. Como se muestra en la ilustración, el aire frío entra a través de la base de la sección del congelador y va hacia arriba. La mayor parte del aire luego fluye a través de las rendijas de ventilación de la sección del congelador y vuelve a circular debajo del piso del congelador. El resto del aire entra en la sección del frigorífico a través de las rendijas de ventilación de la parte superior.



No bloquee estos orificios de ventilación con paquetes de alimentos. Si los orificios de ventilación están bloqueados, se obstruirá el flujo del aire y puede dar lugar a problemas de temperatura y humedad.

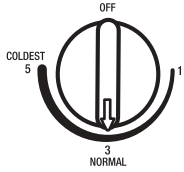
IMPORTANTE: Debido a que el aire circula entre ambas secciones, cualquier olor que se forma en una sección pasará a la otra. Usted debe limpiar meticulosamente ambas secciones para eliminar olores. Para evitar la transferencia de olores y la deshidratación de los alimentos, envuelva o tape bien los alimentos.

Uso de los controles

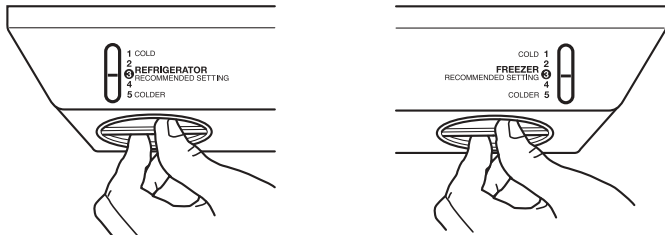
Para su comodidad, los controles de su refrigerífico han sido programados de fábrica. Al instalar su refrigerífico por primera vez, cerciórese de que los controles aún estén prefijados en los ajustes medios, como se ilustra.

NOTA: Para apagar su refrigerífico, gire el control del refrigerífico hacia la palabra Apagado (OFF) o hasta que aparezca la palabra OFF. Su producto no enfriará cuando el control del refrigerífico esté fijo en OFF.

Ajuste medio "3"



Ajuste medio "3"



IMPORTANTE:

- Déle tiempo al refrigerífico para que se enfríe completamente antes de agregar alimentos. Es mejor esperar 24 horas antes de colocar los alimentos en el refrigerífico.
- Si agrega alimentos antes de que el refrigerífico se haya enfriado por completo, sus alimentos podrían echarse a perder. Poner los controles del refrigerífico y del congelador en un ajuste más alto (más frío) que el recomendado no enfriará más rápido los compartimientos.

Cómo ajustar la posición de los controles

El(los) ajuste(s) medio(s) indicado(s) en la sección previa debe(n) estar correcto(s) para el uso normal de un refrigerífico familiar. Los controles están ajustados correctamente cuando la leche o los jugos están tan fríos como Ud. desea y cuando el helado tiene consistencia firme.

Si la temperatura está demasiado caliente o demasiado fría en el refrigerífico o en el congelador, primero verifique los conductos de ventilación para asegurarse de que no están bloqueados.

Si necesita regular las temperaturas, utilice como guía los ajustes que se enumeran en la tabla siguiente. Para modelos con dos controles, regule primero la temperatura del refrigerífico. Espere por lo menos 24 horas entre un ajuste y otro, y después vuelva a verificar las temperaturas.

CONDICIÓN/MOTIVO:	AJUSTE:
FRIGORÍFICO demasiado frío - Los controles no están fijados de acuerdo a las condiciones ambientales	Gire el control del FRIGORÍFICO o de la TEMPERATURA a un ajuste más bajo
FRIGORÍFICO demasiado caliente - Mucho uso o temperatura ambiental muy caliente	Gire el control del FRIGORÍFICO o de la TEMPERATURA a un ajuste más alto
CONGELADOR demasiado frío - Los controles no están fijados de acuerdo a las condiciones ambientales	Gire el control del CONGELADOR o de la TEMPERATURA a un ajuste más bajo
CONGELADOR demasiado caliente/muy poco hielo - Mucho uso o alto consumo de hielo	Gire el control del CONGELADOR o de la TEMPERATURA a un ajuste más alto

Fábrica de hielo (en algunos modelos - Accesorio)

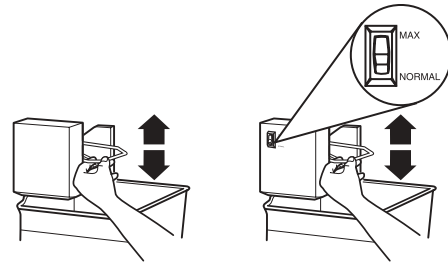
Para encender y apagar la fábrica de hielo

NOTA: No fuerce el brazo interruptor de alambre hacia arriba o hacia abajo.

- Para poner a funcionar la fábrica de hielo, sencillamente baje el brazo interruptor de alambre.

NOTA: La fábrica de hielo tiene un interruptor automático. A medida que se produce el hielo, los cubitos de hielo llenarán el depósito para hielo y éstos levantarán el brazo interruptor de alambre a la posición de apagado (OFF - brazo elevado).

- Para apagar la fábrica de hielo manualmente, levante el brazo interruptor de alambre a la posición de OFF (Apagado - brazo elevado) hasta que escuche el chasquido para cerciorarse de que la fábrica de hielo se ha apagado.



Ritmo de producción de hielo

- Producción NORMAL de hielo: La fábrica de hielo deberá producir aproximadamente entre 8 y 12 lotes de hielo en un período de 24 horas. Si no se produce el hielo con suficiente rapidez, gire el Control del congelador hacia un número más alto (más frío) en pasos de números intermedios. (Por ejemplo, si el control está en 3, póngalo entre 3 y 4.) Espere 24 horas y si es necesario, gradualmente gire el Control del congelador al ajuste más alto, esperando 24 horas entre cada ajuste.
- Producción MÁXIMA de hielo (en algunos modelos): La fábrica de hielo deberá producir aproximadamente entre 16 y 20 lotes de hielo en un período de 24 horas. Si su refrigerífico tiene la función de producción máxima de hielo, empuje el interruptor a MAX.

Recuerde

- Deje transcurrir 24 horas para la producción del primer lote de hielo. Deshágase de los tres primeros lotes de hielo producidos.
- La calidad del hielo dependerá de la calidad del agua que suministre a su fábrica de hielo. Evite la conexión de la fábrica de hielo a un suministro de agua blanda. Las sustancias químicas que ablandan el agua (como la sal) pueden dañar ciertos componentes de la fábrica de hielo y producir un hielo de muy baja calidad. Si no se puede evitar el uso de un suministro de agua blanda, asegúrese de que el ablandador de agua esté funcionando correctamente y que goce de un buen mantenimiento.
- No guarde nada encima de la fábrica de hielo o en el depósito de hielo.

CUIDADO DEL FRIGORÍFICO

Limpeza

⚠ ADVERTENCIA



Peligro de Explosión

Use un limpiador no inflamable.

No seguir esta instrucción puede ocasionar la muerte, explosión o incendio.

Tanto la sección del frigorífico como la del congelador se descongelan automáticamente. No obstante, limpie ambos compartimientos más o menos una vez al mes para evitar la acumulación de olores. Limpie los derrames de inmediato.

Para limpiar su frigorífico:

1. Desenchufe el frigorífico o desconecte el suministro de energía.
2. Quite todas las partes desmontables del interior, tales como estantes, compartimientos para verduras, etc.
3. Lave a mano, enjuague y seque todas las partes desmontables y las superficies interiores meticulosamente. Use una esponja limpia o un paño liso y un detergente suave en agua tibia.
 - No use productos de limpieza abrasivos o ásperos, como aerosoles para ventanas, productos de limpieza para pulir, líquidos inflamables, ceras para limpieza, detergentes concentrados, blanqueadores o productos de limpieza que contengan productos de petróleo en las partes de plástico, revestimientos interiores o de la puerta o juntas. No use toallas de papel, estropajos para fregar u otros utensilios de limpieza ásperos. Éstos pueden rayar o dañar los materiales.
 - Para ayudar a eliminar olores, puede lavar las paredes interiores con una mezcla de agua tibia y bicarbonato de sodio (2 cucharadas en un cuarto de galón [26 gr en 0,95 L] de agua).
4. Limpie el exterior con una esponja limpia o un paño liso y un detergente suave en agua tibia. No use productos de limpieza abrasivos o ásperos. Seque meticulosamente con un paño suave. Para obtener una protección adicional contra daños a las superficies exteriores metálicas pintadas, aplique cera para electrodomésticos (o cera en pasta para coches) con un paño limpio y suave. No encere las partes de plástico.

NOTA: Para mantener como nuevo su frigorífico de acero inoxidable y para quitar marcas o ralladuras pequeñas, se sugiere usar un limpiador de acero inoxidable aprobado por el fabricante.

IMPORTANTE: ¡Este limpiador es solamente para partes de acero inoxidable!

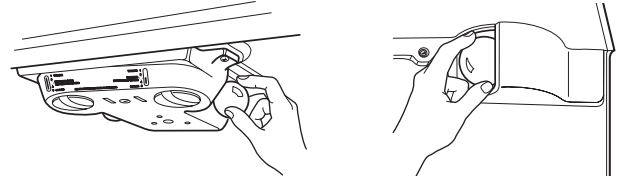
No permita que el limpiador de acero inoxidable entre en contacto con ninguna parte de plástico tales como las piezas decorativas, las tapas del despachador o las juntas de la puerta. Si se produce contacto no intencional, limpie la pieza de plástico con una esponja y detergente suave en agua tibia. Seque meticulosamente con un paño suave.

5. Limpie los serpentines del condensador regularmente. Quizás necesite limpiar los serpentines cada dos meses. Esto puede ayudar a ahorrar energía.
 - Quite la rejilla de la base. Vea la ilustración Rejilla de la base en "Puertas del frigorífico" o "Rejilla de la base".
 - Use una aspiradora con un cepillo suave para limpiar la rejilla, las áreas abiertas detrás de la rejilla y la superficie frontal del condensador.
 - Vuelva a colocar la rejilla de la base cuando termine.
6. Enchufe el frigorífico o reconecte el suministro de energía.

Cómo cambiar las bombillas

NOTA: No todas las bombillas son adecuadas para su frigorífico. Asegúrese de reemplazar la bombilla con otra bombilla para electrodomésticos del mismo tamaño, forma y potencia en vatios.

1. Desenchufe el frigorífico o desconecte el suministro de energía.
2. Saque la bombilla que está detrás del panel de control en el frigorífico, o detrás de la pantalla de luz en el congelador (en algunos modelos). Reemplácela con una bombilla de la misma potencia en vatios para electrodomésticos.
3. Enchufe el frigorífico o reconecte el suministro de energía.



Cortes de corriente

Si no va a haber electricidad por 24 horas o menos, mantenga la o las puertas del frigorífico cerradas (dependiendo del modelo) para que los alimentos se mantengan fríos y congelados.

Si el corte de electricidad va a durar más de 24 horas, haga lo siguiente:

- Saque todos los alimentos congelados y guárdelos en una conservadora de comida congelada.
- Ponga 2 libras (907 gr) de hielo seco en el congelador por cada pie cúbico (28 L) de espacio en el congelador. Esto mantendrá la comida congelada por 2 a 4 días.
- Si no tiene conservadora de alimentos congelados ni hielo seco, use todos los alimentos perecederos de una vez o póngalos en latas.

RECUERDE: Un congelador lleno se mantiene frío por más tiempo que uno a medio llenar. Un congelador lleno de carne se mantiene frío por más tiempo que uno lleno de alimentos de pastelería. Si Ud. ve que los alimentos contienen cristales de hielo, se pueden volver a congelar, pero la calidad y el sabor pueden afectarse. Si el alimento no está en buenas condiciones, descártelo.

Cuidado durante las vacaciones y mudanzas

Vacaciones

Si Ud. decide dejar el frigorífico funcionando mientras está ausente, siga estos pasos para preparar el frigorífico antes de irse.

1. Use todos los artículos perecederos y congele el resto.
2. Si su frigorífico tiene fábrica de hielo automática:
 - Levante el brazo interruptor de alambre hacia la posición OFF (Apagado - brazo hacia arriba).
 - Cierre el suministro de agua a la fábrica de hielo.
3. Vacíe el depósito de hielo.

Si Ud. decide apagar el frigorífico antes de irse, siga estos pasos.

1. Saque toda la comida del frigorífico.
2. Si su frigorífico tiene fábrica de hielo automática:
 - Cierre el suministro de agua a la fábrica de hielo por lo menos un día antes.
 - Cuando caiga el último lote de hielo, levante el brazo interruptor de alambre a la posición OFF (hacia arriba).
3. Apague (OFF) el control del termostato (o control del frigorífico, dependiendo del modelo). Vea "Uso de los controles".
4. Limpie el frigorífico, pásele un paño y séquelo bien.

5. Fije topes de goma o de madera con cinta adhesiva en la parte superior de ambas puertas para que queden abiertas y el aire circule. Esto evita que se formen olores y que crezcan hongos. Tenga cuidado de no dañar el sello de la puerta con los bloques.

Mudanza

Si Ud. muda su refrigerador a una casa nueva, siga estos pasos para prepararse para la mudanza.

1. Si su refrigerador tiene fábrica de hielo automática:
 - Cierre el suministro de agua a la fábrica de hielo por lo menos un día antes.
 - Desconecte la tubería de agua de atrás del refrigerador.
 - Cuando caiga el último lote de hielo, levante el brazo interruptor de alambre a la posición OFF (hacia arriba).
2. Saque toda la comida del refrigerador y guarde todos los alimentos congelados en hielo seco.
3. Apague (OFF) el control del termostato (o control del refrigerador,

- dependiendo del modelo). Vea “Uso de los controles”.
4. Desenchufe el refrigerador.
 5. Vacíe el agua de la bandeja recolectora que está ubicada detrás de la rejilla de la base.
 6. Límpiela, enjuáguela y séquela meticulosamente.
 7. Saque todas las partes desmontables, envuélvalas bien y asegúrelas con cinta adhesiva para que no se sacudan durante la mudanza.
 8. Para los modelos con patas niveladoras, ajuste los rodillos para levantar el frente del refrigerador, de modo que ruede con más facilidad. Vea “Ajuste las puertas”.
 9. Mantenga las puertas cerradas y el cable pegados a la carcasa del refrigerador con cinta adhesiva.

Cuando llegue a la casa nueva, ponga todo de nuevo y lea “Instrucciones de instalación” para obtener instrucciones de preparación. Además, si su refrigerador tiene fábrica de hielo automática, recuerde volver a conectar el suministro de agua al refrigerador.

SOLUCIÓN DE PROBLEMAS

Primero pruebe las soluciones sugeridas aquí para evitar el costo innecesario del servicio.

Funcionamiento del refrigerador

El refrigerador no funciona

⚠ ADVERTENCIA



Peligro de descarga eléctrica

Conecte a un enchufe de conexión a tierra de 3 terminales.

No quite el terminal de conexión a tierra.

No use un adaptador.

No use un cable eléctrico de extensión.

No seguir estas instrucciones puede ocasionar la muerte, incendio o descarga eléctrica.

- **¿Está desenchufado el cable de suministro de energía?** Conecte a un enchufe de conexión a tierra de 3 terminales.
- **¿Funciona el enchufe?** Enchufe una lámpara para ver si funciona el enchufe.
- **¿Hay un fusible de la casa fundido o se disparó el cortacircuitos?** Reemplace el fusible o reposicione el cortacircuitos. Si el problema continúa, llame a un electricista.
- **¿Están encendidos los controles?** Asegúrese de que los controles del refrigerador estén encendidos. Vea “Uso de los controles”.
- **¿Es nueva la instalación?** Deje transcurrir 24 horas después de la instalación para que el refrigerador se enfríe por completo.

NOTA: El ajustar los controles de temperatura en la posición más fría no enfría ningún compartimiento más rápido.

Parece que el motor funciona excesivamente

Es posible que su nuevo refrigerador funcione por períodos más largos que su refrigerador anterior debido al compresor y los ventiladores de alto rendimiento. Es posible que la unidad funcione por más tiempo si la habitación está caliente, si se ha agregado una gran cantidad de alimentos, si se abren las puertas con frecuencia o si se han dejado las mismas abiertas.

El refrigerador parece ser ruidoso

El ruido del refrigerador se ha ido reduciendo a lo largo de los años. Debido a esta reducción, es posible que escuche ruidos intermitentes en su nuevo refrigerador que no había notado en el modelo viejo. A continuación se enumeran algunos sonidos normales con explicaciones.

- **Zumbido** - se escucha cuando la válvula de agua se abre para llenar la fábrica de hielo.
- **Sonido pulsante** - los ventiladores/el compresor se están ajustando para obtener el máximo desempeño.
- **Sonido sibilante/vibraciones** - flujo de líquido refrigerante, movimiento de la tubería de agua o artículos guardados encima del refrigerador.
- **Chisporroteos/Gorgoteos** - agua goteando en el calentador durante el ciclo de descongelación.
- **Estallido** - contracción/expansión de las paredes interiores, especialmente durante el enfriamiento inicial.
- **Agua corriendo** - puede escucharse cuando el hielo se derrite durante el ciclo de descongelación y corre hacia la bandeja recolectora.
- **Chirridos/Crujidos** - esto ocurre cuando el hielo es expulsado del molde de la fábrica de hielo.

Las puertas no cierran completamente

- **¿Están bloqueadas las puertas?** Mueva los paquetes de alimentos lejos de la puerta.
- **¿Hay un recipiente o un estante bloqueando el paso?** Empuje el recipiente o el estante nuevamente a la posición correcta.
- **¿Está obstruyendo la tapa del compartimiento para verduras?** Asegúrese de empujar bien la tapa del compartimiento para verduras, de manera que la parte posterior descansa sobre los soportes.

Es difícil abrir las puertas

ADVERTENCIA



Peligro de Explosión

Use un limpiador no inflamable.

No seguir esta instrucción puede ocasionar la muerte, explosión o incendio.

- **¿Están las juntas sucias o pegajosas?** Limpie las juntas y las superficies de contacto con jabón suave y agua tibia. Enjuague y seque con un paño suave.

Las luces no funcionan

- **¿Está floja o quemada una bombilla?** Vea “Cómo cambiar las bombillas”.

Temperatura y humedad

La temperatura está demasiado caliente

- **¿Es nueva la instalación?** Deje transcurrir 24 horas después de la instalación para que el frigorífico se enfríe por completo.
- **¿Se abre(n) o se deja(n) la(s) puerta(s) abierta(s) a menudo?** Esto hace que entre aire tibio al frigorífico. Reduzca al mínimo el número de veces que abre la puerta y mantenga las puertas completamente cerradas.
- **¿Se ha agregado una gran cantidad de alimentos?** Deje que transcurran varias horas para que el frigorífico vuelva a la temperatura normal.
- **¿Se han ajustado los controles correctamente de acuerdo con las condiciones circundantes?** Ajuste los controles un ajuste más frío. Fijese en la temperatura en 24 horas. Vea “Uso de los controles”.

Hay acumulación de humedad en el interior

NOTA: Cierta acumulación de humedad es normal.

- **¿Está húmeda la habitación?** Esto contribuye a la acumulación de humedad.
- **¿Se abre(n) o se deja(n) la(s) puerta(s) abierta(s) a menudo?** Esto hace que entre aire húmedo al frigorífico. Reduzca al mínimo el número de veces que abre la puerta y mantenga las puertas completamente cerradas.

Hielo y agua

La fábrica de hielo no produce hielo o no produce suficiente hielo

- **¿Se ha conectado el frigorífico a un suministro de agua y se ha abierto la válvula de cierre?** Conecte el frigorífico al suministro de agua y abra completamente la válvula de cierre.
- **¿Hay un estrechamiento en la tubería de suministro de agua?** Un estrechamiento en la tubería puede reducir el flujo de agua. Enderece la tubería de suministro de agua.
- **¿Está encendida la fábrica de hielo?** Asegúrese de que el brazo interruptor de alambre o interruptor de cierre (dependiendo del modelo) esté en la posición de ON (Encendido).
- **¿Es nueva la instalación?** Espere 24 horas después de la instalación de la fábrica de hielo para que empiece a producir hielo. Deje transcurrir 72 horas para la producción total de hielo.
- **¿Se acaba de sacar una gran cantidad de hielo?** Deje transcurrir 24 horas para que la fábrica de hielo se restablezca.
- **¿Se trabó un cubo de hielo en el brazo eyector de la fábrica de hielo?** Saque el hielo del brazo eyector con un utensilio de plástico.
- **¿Se ha conectado un sistema de filtración de agua de ósmosis inversa al suministro de agua fría?** Esto puede hacer que disminuya la presión de agua. Vea “Requisitos del suministro de agua”.

Los cubos de hielo son huecos o pequeños

NOTA: Esto es una indicación de baja presión de agua.

- **¿No está abierta por completo la válvula de cierre de agua?** Abra completamente la válvula de cierre de agua.
- **¿Hay un estrechamiento en la tubería de suministro de agua?** Un estrechamiento en la tubería puede reducir el flujo de agua. Enderece la tubería de suministro de agua.
- **¿Se ha conectado un sistema de filtración de agua de ósmosis inversa al suministro de agua fría?** Esto puede hacer que disminuya la presión de agua. Vea “Requisitos del suministro de agua”.
- **¿Aún tiene preguntas acerca de la presión de agua?** Llame a un fontanero competente autorizado.

El hielo tiene mal sabor, mal olor o un color grisáceo

- **¿Son nuevas las conexiones de fontanería?** Las conexiones nuevas de fontanería pueden producir un hielo descolorido o de mal sabor.
- **¿Se han guardado los cubos de hielo por mucho tiempo?** Deseche ese hielo. Lave el recipiente de hielo. Deje transcurrir 24 horas para que la fábrica de hielo haga hielo nuevo.
- **¿Ha habido una transferencia de olor de los alimentos?** Use envases herméticos contra humedad para almacenar comida.
- **¿Contiene el agua minerales (como el azufre)?** Podría ser necesario instalar un filtro para eliminar los minerales.

AYUDA O SERVICIO TÉCNICO

Antes de solicitar ayuda o servicio técnico, por favor consulte la sección "Solución de problemas". Esto le podría ahorrar el costo de una visita de servicio técnico. Si considera que aún necesita ayuda, siga las instrucciones que aparecen a continuación.

Póngase en contacto con el establecimiento distribuidor donde compró el refrigerador, o con una compañía de servicio técnico designada por Whirlpool.

Si necesita piezas de repuesto

Busque piezas de repuesto de buena calidad toda vez que necesite una pieza de repuesto para su electrodoméstico Whirlpool.

Para encontrar piezas de repuesto especificadas de fábrica en su localidad, llame al distribuidor en donde compró el refrigerador o a una compañía de servicio técnico designada por Whirlpool.

Garantía

Para obtener información acerca de la garantía, póngase en contacto con el distribuidor en donde compró el refrigerador.

Guarde este libro y su comprobante de compra juntos para referencia futura. Usted deberá proporcionar el comprobante de la compra o una fecha de instalación para obtener servicio bajo la garantía.

Escriba la siguiente información acerca de su electrodoméstico para ayudarle mejor a obtener ayuda o servicio técnico si alguna vez llegara a necesitarlo. Deberá tener a mano el número completo del modelo y de la serie. Puede encontrar esta información en la etiqueta con el número de modelo y de serie que está ubicada en la pared interior del compartimiento del refrigerador.

Nombre del distribuidor _____

Número de serie _____

Dirección _____

Número de teléfono _____

Número de modelo _____

Fecha de compra _____

目錄

電冰箱的安全.....	28	使用控制器.....	36
恰當處理您的舊電冰箱.....	29	調整控制設置.....	36
電冰箱的安裝.....	29	製冰器.....	36
位置要求.....	30	保養您的電冰箱.....	37
電源要求.....	30	清潔.....	37
水源要求.....	31	更換燈泡.....	37
連接水源.....	31	停電.....	37
完成安裝.....	32	休假和搬家時的維護.....	37
電冰箱門.....	32	排除故障.....	38
門的調整.....	35	溫度和濕度.....	39
電冰箱的使用.....	35	冰塊和水.....	39
確保空氣充分循環.....	35	幫助或服務.....	40

電冰箱的安全

您的安全和他人的安全很重要。

本手冊中和電冰箱上，我們提供了許多重要的安全信息。請務必閱讀並遵守所有安全信息。



這是安全警報標志。

這標志是告訴您，您和別人可能致死或受傷。

所有安全信息前都冠有安全警報標志和“危險”或“警告”字樣。

這些字樣表示：



危險

如果您不立即遵守說明，將導致您死亡或受重傷。



警告

如果您不遵守說明，可能導致您死亡或受重傷。

所有安全信號都是指明危險，教您如何減少受傷的可能，還告訴您若不遵守說明將會發生甚麼後果。

重要安全指示

警告：為了減少在使用洗衣機時發生火災、觸電或人身傷害的危險，請遵守以下基本注意事項：

- 插入一個有接地線的管腳電源插座。
- 不要去掉接地管腳。
- 不要使用轉接插座。
- 不要使用延長電線。
- 維護保養之前要切斷電源。
- 使用前將所有面板裝回原處。
- 卸下舊電冰箱的門。
- 使用非易燃性的清潔劑。
- 將易燃物和揮發物，如汽油，遠離電冰箱位置。
- 需要兩個或兩個以上的人移動或安裝電冰箱。
- 安裝製冰器時要斷開電源（只適用於備有製冰工具箱的型號）。
- 應由一位合格的技術維修人員來安裝水管和製冰器。
- 取冰和水時，使用結實的玻璃杯（在某些型號中）。
- 該冰箱並不適宜於兒童或病弱人士使用，除非有他人在場看管或協助。
- 應有成人在場看管兒童，以免兒童玩耍電冰箱。
- 如電線損壞，須由生產商或其服務代理或相似資格的人士來檢查替換，以防危險情況發生。

請保留說明

恰當處理您的舊電冰箱

警告

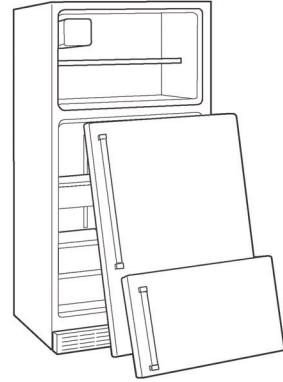
窒息危險

將舊電冰箱的門卸下。
否則可能導致死亡或腦部受損。

重要提示：兒童誤入電冰箱並被窒息而死的情況仍然存在。廢棄的電冰箱也是有危險的—即使它們放在那兒“僅僅幾天”。若您打算丟棄您的舊電冰箱，請遵循這些說明以便預防意外事件。

在您丟掉您的舊電冰箱或冷凍箱之前，請您：

- 先將門卸掉。
- 將儲物架留在原處使兒童不容易爬進去。



電冰箱的安裝

拆除電冰箱包裝

警告

過重危險

移動和安裝電冰箱時要有兩人或更多人手。
否則會導致背部或其他部位傷害。

重要提示：請不要取下白色的塑膠製的商標標籤，它插在電冰箱頂的控制面板後面（某些型號），是電冰箱的一部分，而不是包裝物。若將其取下了，冷凍室的冰可能會溢出並形成冰柱。

當搬運您的電冰箱時：

您的電冰箱很重。在搬運電冰箱進行清潔或維修時，一定要保護好地板。搬動時要徑直拉出電冰箱。搬動時不要晃動或“挪動”電冰箱，那樣會損壞地板。

拆除包裝

- 使用前請拆除膠帶紙和粘膠。要去除其餘難拆的膠帶紙或粘膠，可用拇指輕輕揩擦附近的地方。把少量的洗滌液揉在手指上，可去除粘在指上的粘膠。用溫水拭淨電冰箱並晾乾。
- 請勿使用尖銳工具、擦拭用酒精、易燃液體或有腐蝕作用的清潔劑來去掉膠帶紙或粘膠。這些東西可能損害電冰箱表面。詳細信息，請參看“電冰箱的安全”一節。
- 在有些型號中，儲物架、儲存盒、門儲物架橫檔和其他構件可能包裝在“組合附件包”中。請按包裝箱內的說明妥善安裝。

使用之前清潔電冰箱

在您拆除電冰箱的包裝後，請於使用之前清潔電冰箱內部。您可以參看“電冰箱護理”章節中的清潔方法。

關於玻璃架和蓋子的重要提示：

當玻璃架或蓋子處於冰冷狀態時，請不要使用溫水清洗。由於溫度突然改變或者受到碰撞時（比如撞擊），玻璃架和蓋子可能會破碎。為了安全起見，這些鋼化玻璃被設計為在破裂時碎成很多鵝卵石般大小的顆粒。這是通常情況。玻璃架子和蓋子都很重。搬動時要特別小心，以免滑落。

空間要求

警告

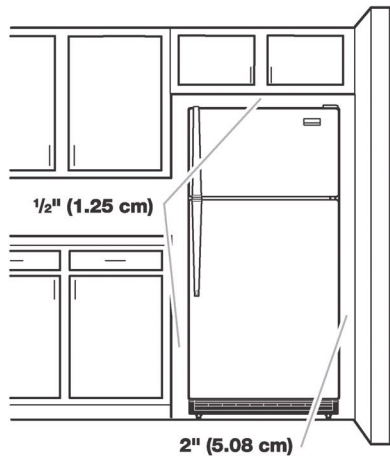


爆炸危險

請將易燃性物品和揮發物，例如汽油，遠離電冰箱放置。
否則可能導致死亡，爆炸或起火。

要確保電冰箱適當通風，在每一側和頂部都要有 0.5 英寸（1.25 釐米）的空隙。若將電冰箱放在一面固定的牆旁邊，請在每一側都留有最少 2 英寸（5.08 釐米）的空隙（具體情況看型號），以便冰箱門能夠打開。若電冰箱有一個製冰器，請在電冰箱後面多留一些空間，以便連接水管。

注意：建議您不要將電冰箱放置在靠近爐竈、散熱器或者其他熱源的地方。也不要將電冰箱放置在溫度會降至 55°F(13°C) 以下的地方。



電源要求

警告



觸電危險

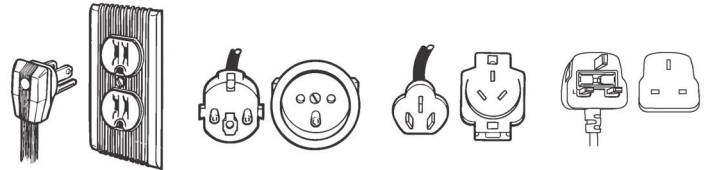
插入一個有接地線的管腳電源插座。
不要去掉接地管腳。
不要使用轉接插座。
不要使用延長電線。
否則可能導致死亡，火災或觸電。

在您把電冰箱搬到最後就位放置之前，要確保電路連接正確。

建議接地方法

插頭 1：要求電源必須是 115V，60Hz 的交流電，保險絲只要有 15 或 20 安培就會熔化，有接地線。

插頭 2 和 3：要求電源必須是 220/240V/50Hz，或 220/60Hz 的交流電，保險絲只要有 10 安培就會熔化，並且有接地線。



插頭 1

插頭 2

插頭 3

插頭 4

建議提供一條只用於電冰箱的專用電路。要使用一個不能有開關關閉的電源插座。不要使用延長電線。

注意：在進行任何安裝、清洗或卸下電燈泡之前，都要把控制器（溫控器、冷藏室或冷凍室控制器取決於型號）轉到 OFF 位置，然後切斷電冰箱的電源。完成後，再將電冰箱重新接通電源，並把控制器（溫控器、冷藏室或冷凍室控制器取決於型號）重新設置到需要的位置。

水源要求

在開始安裝之前備齊所需工具和部件。請閱讀並按照指南提供列出的所有工具。

所需工具:

- 平頭改錐
- ¼ 英寸鑽頭
- ¾ 英寸和 ½ 英寸開口扳手或雙頭活動扳手
- 手搖鑽頭或電鑽 (正確接地)
- ¼ 英寸套筒

注意: 您的電冰箱經銷商提供了一套配件, 包括: 一個 ¼ 英寸 (6.35 毫米) 的馬鞍形的閘門、一個聯管和銅管。在購買之前, 要確保馬鞍形閘門符合你們當地的管道標準。不要使用穿孔形的或 ¾ 英寸 (4.76 毫米) 的馬鞍閘, 這種閘門會降低水流量並且容易堵塞。

重要提示:

- 所有安裝必須符合當地管道法規的要求。
- 如果使用銅管, 就要檢查是否漏水。只有在室內溫度高於零度的地方才可以安裝銅管。

水壓

啓動水份佈器和製冰器所需的冷水水壓在 30 至 120 磅/平方英寸 (207 至 827 千帕) 之間。如果您對您的水壓有疑慮, 請致電一位持有許可證、合格的管道工。

反滲透水源

重要提示: 來自反滲透系統的、聯接到電冰箱進水閘的水壓需要在 30 至 120 磅/平方英寸 (207 至 827 千帕) 之間。

如果反滲透水過濾系統與冷水水源相連接, 供給反滲透系統的水壓最少為 40 至 60 磅/平方英寸 (276 至 414 千帕)。

如果反滲透系統的水壓低於 40 至 60 磅/平方英寸 (276 至 414 千帕):

- 查看反滲透系統中的沉澱過濾器是否堵塞。如果必要, 請更換過濾器。
- 在過度使用後, 重新補充反滲透系統中的儲存桶中的水。

如果您對您的水壓有疑慮, 請致電一位持有許可證、合格的管道工。

連接水源

開始之前請仔細閱讀所有說明。

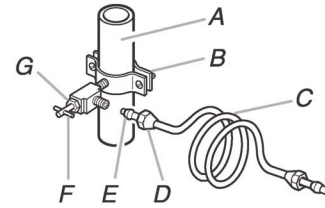
重要提示: 如果您在連接水管之前已經打開了電冰箱電源, 請將製冰器設置到 OFF 位置。

與水管的連接

1. 拔下電冰箱的插頭或者切斷電源。
2. 關閉供水主管。打開距離電冰箱最近的水龍頭, 直到管道中的水流盡為止。
3. 找到冰箱附近的 ½ 英寸 (1.25 釐米) 到 1¼ 英寸 (3.18 釐米) 的垂直冷水管。

重要提示:

 - 確保那是冷水管。
 - 水平水管也可會可以, 但是在管的上邊鑽孔而不是下面。這樣可以使得鑽不沾水, 不讓正常沉積物堆積在水閘門裏。
4. 確定你所需要的銅管長度。測量出從電冰箱左後下方的接口直到水管之間的長度, 外加上 7 英尺 (2.1 米) 用於清潔目的。請使用外圍直徑為 ¼ 英寸 (6.35 釐米) 的銅管。確保銅管兩端都切割平整。
5. 使用帶有接地保護線的鑽孔機, 在你選擇的冷水管上鑽一個 ¼ 英寸的孔。

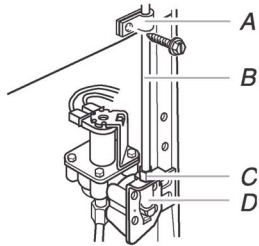


- A. 冷水管
- B. 管夾
- C. 銅管
- D. 壓緊螺帽
- E. 壓緊套筒
- F. 關閉閘
- G. 固定螺母

6. 用水管夾子將閘門固定在冷水管上面。應確保出口端恰好在鑽好的 ¼ 英寸的孔中, 並確保在水管夾子下面墊上墊圈。擰緊螺釘。均勻用力, 慢慢擰緊水管夾子的螺釘, 使墊圈完全密封。不要擰得過緊, 否則您會擰壞銅管, 特別是您使用軟銅管 (盤繞的銅管) 時。您現在可以準備連接銅管了。
7. 如圖所示, 將壓緊螺帽和壓緊套筒套在銅管上。將銅管末端呈直角插入出口端, 直至不能再伸入為止。用活動扳手將壓緊螺母擰向出口端。但不要擰得過緊。
8. 將銅管未使用的一端放到容器中或水槽中, 並打開主供水管。放水沖洗銅管至水澄清為止。關上水管的關閉閘。盤繞銅管。

與電冰箱的連接

1. 拔下插頭或者切斷冰箱電源。
2. 如圖所示，使用壓緊螺母和管套將銅管接進閥門。擰緊壓緊螺母。但不要過緊。
3. 如圖所示，使用電冰箱後面的管夾，將銅管固定在 冰箱上。這樣當電冰箱被移至靠牆位置時，就不會損壞銅管。
4. 打開閥門。
5. 檢查是否漏水。擰緊所有的連接部件（包括閥門處的連接）或者漏水的螺母。



6. 製冰器配有一個嵌入的過濾網。若當地的水質情況需要另增一個過濾網，可在 1/4 英寸（6.35 毫米）的水管接口處的任何一頭安裝過濾網。您可以在附近的五金商店購買過濾網。

完成安裝

警告



觸電危險

插入帶接地的三相分流插座。

不要去掉接地管腳。

不要使用轉接插座。

不要使用延長電線。

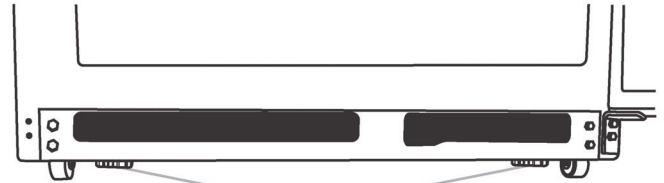
否則可能導致死亡，火災或觸電。

1. 插入帶接地的三相分流插座。
注意：首次製冰需要 24 小時。丟掉前三次所製的冰。需要 3 天時間才可以完全製滿製冰盤裡的冰。
2. 將電冰箱移至最終位置。

調整電冰箱水平角度 (帶有水平腳的型號)

位於電冰箱前方的兩個水平腳必須與地面接觸，以支撐和穩定電冰箱的全部重量。

1. 取下底部鐵架。參看“電冰箱門”部分的底部鐵架圖片。
2. 順時針旋轉兩個水平腳，降低其位置，直至它們牢固的接觸到地面。
重要提示：為了避免您在移動電冰箱時劃傷地面，調整前方滑輪，使得水平腳離開地面 1/8 英寸至 1/4 英寸。當電冰箱回到原來位置後，調整滑輪使得水平腳再次牢固的接觸到地面。



A. 水平腳

3. 在電冰箱頂部放置木工水平尺，查看兩側是否水平。
4. 重新裝好底部鐵架。

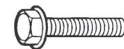
冰箱門

所需工具：5/16 英寸六角頭套筒扳手、2 號飛利浦螺絲刀、平頭改錐、5/16 英寸活動扳手、2 英寸平頭油灰刀。

重要提示：

- 以下說明中所有註明出處的圖片都包括在本節“最後步驟”之後。圖片展示的是門向右開的電冰箱（鉸鏈裝在右側）。
- 如果您只是想取下和重裝電冰箱的門，請參看“取下門和鉸鏈”及“重裝門和鉸鏈”的內容。
- 根據您的電冰箱型號，您的電冰箱可能裝有標準門（模式 1）或者輪廓門（模式 2）。如果要改變開門的方向，請按相應的說明進行操作。
- 開始之前，將開關調至 OFF 位置，並從電冰箱中取出食物、可調節門、或門上的儲物盒等部件。

取下門和鉸鏈（所有型號）



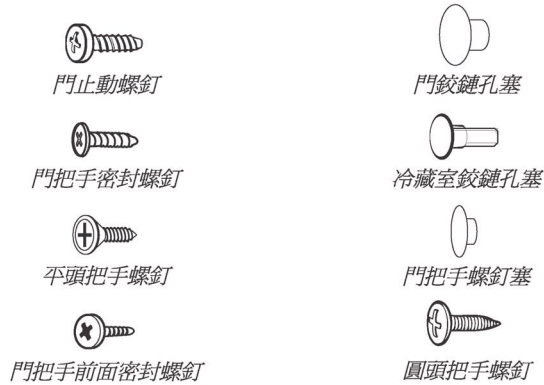
5/16 英寸六角螺釘

1. 拔下冰箱的插頭或切斷電源。
2. 打開電冰箱的門，並從電冰箱前面底部取下底部鐵架。請參看底部鐵架圖片。
3. 關閉冰箱門，並使上下門一直關閉，直至您將門從冰箱取下為止。
注意：在取下鉸鏈的過程中，要想辦法把冰箱門支撐住。這時不能只靠磁鐵的磁力來支撐冰箱門。
4. 取下頂部鉸鏈各部件，如頂部鉸鏈示意圖中所示。將冷凍室門從箱體上取下來。

- 取下中部鉸鏈各部件，如中部鉸鏈示意圖中所示。將冷藏室門從箱體上取下來。
- 取下底部鉸鏈各部件，如底部鉸鏈示意圖中所示。

反向門—標準門（用戶自定）

重要提示：如果您想調換開門方向，從相反的方向打開冰箱門，請遵照以下步驟。如果您不想改變開門方向，請參看“重裝門和鉸鏈”。



儲藏室

- 從把手側取下 1/16 英寸六面體的頂部鉸鏈螺釘，移到另外一側（請看圖 1-1）。
- 從儲藏室頂部取下鉸鏈孔塞，移到另外一側的鉸鏈孔處（請看圖 1-2）。

冷凍室門

- 按圖取下冷凍室把手裝置。把各部件放在一起。見圖 2。
- 取下門止動器。按圖示移到冷凍室門的另外一側（圖 5）。
- 將冷凍室把手固定在冷凍室門的另外一側。按圖所示安裝門把手（圖 2）。
- 擰緊所有的螺釘。將門開在一側，直到鉸鏈和冷藏室門都裝配到位為止。

冰箱門

- 取下冷凍室把手裝置的底部裝飾條。對於模式 1，取下門把手螺釘塞，參閱 6-1。對於模式 2，如圖 6-2 所示，將把手裝飾條向下滑動。
- 如圖所示，取下冰箱門把手裝置，把各部件放在一起（6-3）
- 從冰箱門處取下門鉸鏈孔塞。按照圖示移到另外一側的鉸鏈孔（圖 3）。
- 取下門把手固定螺釘。按照圖示移到冰箱門的另外一側（圖 4）。
- 取下門把手前面的固定螺釘。按照圖示移到冰箱門的另外一側（圖 7）。
- 取下冰箱門止動器，按照圖示移到冰箱門的另外一側（圖 5）。
- 將冷藏室門把手固定在冰箱門的另外一側（圖 6-3）。先旋緊把手上方的兩個螺釘。對好位置後再旋緊下面的螺釘。
- 將冰箱裝飾條對齊。對於模式 1，如圖 6-1，重新安放好門把手螺釘塞。對於模式 2，將把手裝飾條如圖 6-2 所示滑動至正確位置。
- 擰緊所有的螺釘。將門開在一側，直到下面的鉸鏈螺釘也固定在電冰箱上為止。

改變開門方向—輪廓門（用戶自定）

重要提示：如果您想改變電冰箱門的方向，從相反的方向開門，請按照以下步驟操作。如果您不想改變開門方向，請參看“照原樣安裝門和鉸鏈”。

儲藏室

- 從把手側取下 5/16 英寸六面體的頂部鉸鏈螺釘，移到另外一側（請看圖 1-1）。
- 從儲藏室頂部取下鉸鏈孔塞，移到另外一側的鉸鏈孔處（請看圖 1-2）。

冰箱門

- 從冷凍室及冷藏室門上取出門止動器，按照圖示移到冰箱門的另外一側（圖 5）。

重裝門與鉸鏈（所有型號）

注意：如果門開啓的方向相反，有可能圖形也相反。

- 如圖所示，重新組裝底部鉸鏈的部件，並擰緊螺絲。請參閱底部鉸鏈示意圖。重新裝上冷藏室門。
注意：在移動鉸鏈的過程中，要設法用力支撐住冰箱門。在操作中不要只依靠門上的磁力來支撐冰箱門。
- 如圖所示，組裝中部鉸鏈的部件，並擰緊所有的螺絲。見中部鉸鏈示意圖。重新裝上冷凍室門。
- 組裝頂部鉸鏈各部件，參見頂部鉸鏈示意圖。不要把螺絲完全擰緊。
- 對齊所有的箱門，使冷凍室門的底部與冷藏室門的頂部對齊。擰緊所有的螺絲。

最後步驟（所有型號）

- 檢查所有的孔，確保每個孔塞與螺絲安裝正確。重新裝回頂部鉸鏈蓋。參見頂部鉸鏈示意圖。
- 重新裝上底部鐵架（見底部鐵架示意圖）。


警告



觸電危險

插入接地的三相分流插座。

不要去掉接地管腳。

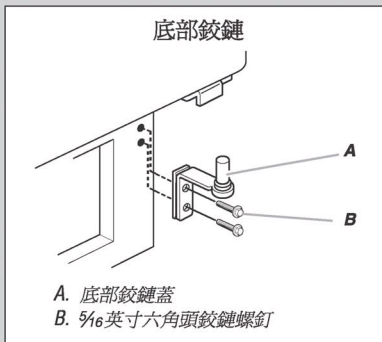
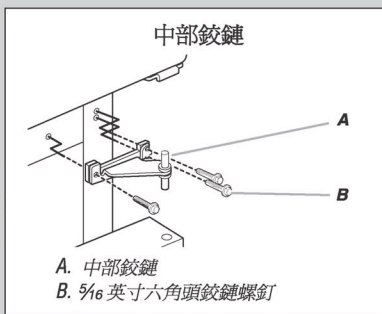
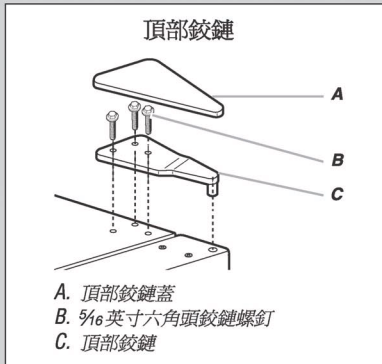
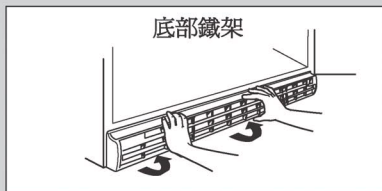
不要使用轉接插座。

不要使用延長電線。

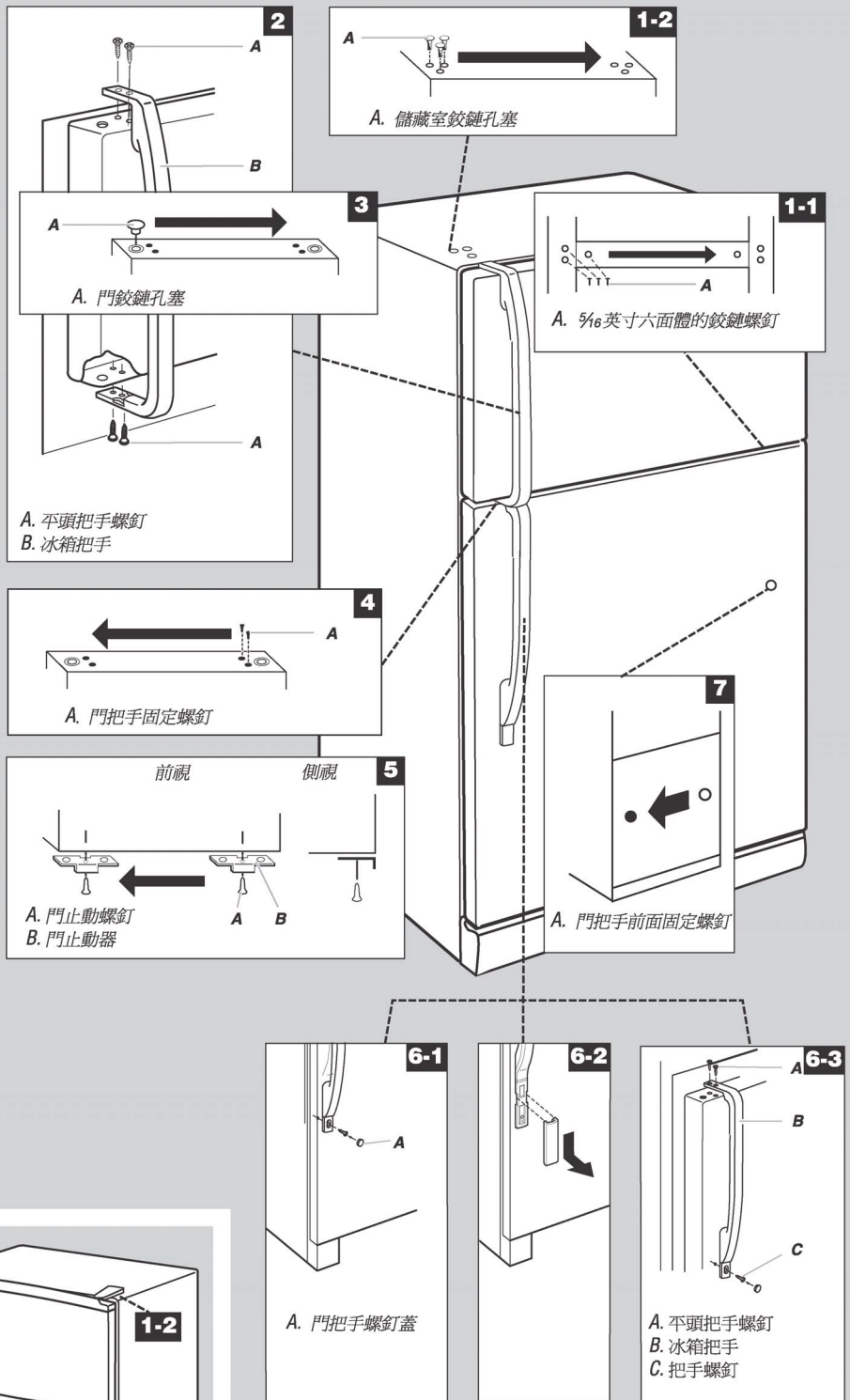
否則可能導致死亡，火災或觸電。

- 插入接地的三相分流插座。
- 重新設置控制裝置。請參見“設置控制裝置”部分。
- 把所有可拆裝的箱門部件裝回箱門，將食物放回冰箱。

取下門和重新安上



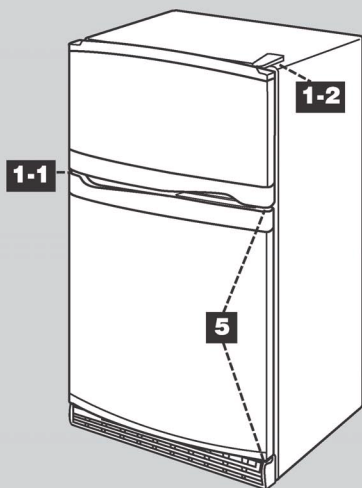
標準門—改變開門方向（用戶自定）



輪廓門 改變開門方向 （用戶自定）

若要改變輪廓門開門的方向，您只需要變換門的樞紐。

請參見“標準門—改變開門方向”部分中的相應圖示。



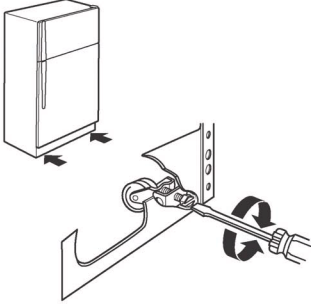
調整門

您的電冰箱有兩個可以調整的滾軸——左一右。若電冰箱顯得不穩，或你想要門更好關一些，就按照下面的說明調整電冰箱的傾斜度。

關門(沒有水平腳的型號)

1. 取下底部鐵架。參閱“冷藏室門”部分中的底部鐵架圖片。兩個水平螺栓是前面滾軸裝置中的一部分，分別在冰箱底部的兩邊。
2. 用一把改錐向右侧旋轉水平螺栓，以便將冰箱的一側升高；或者向左侧旋轉水平螺栓，以便將那一側降低。為了調整電冰箱的傾斜度，可能需要轉好幾次。

注意：讓一個人用力頂住電冰箱的上部會減輕水平螺釘和滾軸承擔的重量。這樣調整起來更加容易。

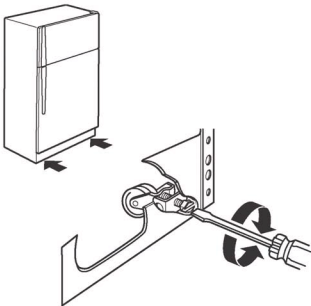


3. 再次打開兩個電冰箱門進行檢查，看是不是像你希望的那樣好關了。若還不好關，就將兩個水平螺釘向右旋轉，使電冰箱再向後傾斜一點。這可能又要擰好幾次，並且兩個螺釘擰的次數應相同。
4. 重裝底部鐵架。

關門(帶有水平腳的型號)

1. 取下底部鐵架。參閱“冷藏室門”部分中的底部鐵架圖片。兩個水平的螺釘是前面滾軸裝置中的一部分，分別在冰箱底部的兩邊。
2. 用一把改錐向右侧旋轉水平螺栓，以便將冰箱的一側升高；或者向左侧旋轉水平螺栓，以便將那一側降低。為了調整電冰箱的傾斜度，可能需要轉好幾次。

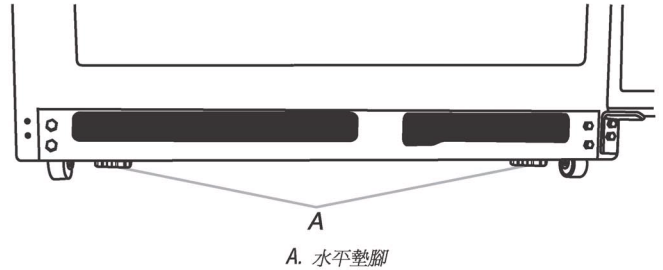
注意：讓一個人用力頂住電冰箱的上部會減輕水平螺釘和滾軸承擔的重量。這樣調整起來更加容易。



3. 再次打開兩個電冰箱門進行檢查，看是不是像你希望的那樣好關了。若還不好關，就將兩個水平螺釘向右旋轉，使電冰箱再向後傾斜一點。這可能又要擰好幾次，並且兩個螺釘擰的次數應相同。

4. 順時針旋轉水平腳，直至水平腳牢固的接觸到地面。

重要提示：為了避免您在移動電冰箱時劃傷地面，調整前方滑輪，使得水平腳離開地面 $\frac{1}{8}$ 英寸至 $\frac{1}{4}$ 英寸。在電冰箱到達最終位置後，調整滑輪使得水平腳再次牢固地接觸到地面。



5. 重裝底部鐵架。

門對齊

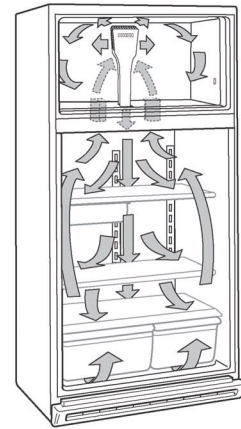
如果您的電冰箱的兩扇門之間的空間顯得不平行，可以按照以下說明進行調整：

1. 撬開頂部鉸鏈的蓋板。
2. 用一個 $\frac{5}{16}$ 英寸的套筒或扳手擰松頂部鉸鏈的螺釘。
3. 讓一個人用力擰住電冰箱門不動，或在兩個門之間放一個隔離物體，同時擰緊頂部鉸鏈的螺釘。
4. 重新裝上頂部鉸鏈蓋板。

電冰箱的使用

確保空氣充分循環

為了確保空氣充分循環，需使冷藏室和冷凍室之間有空氣流動。如圖所示，冷氣通過冷凍室底部後向上流動。之後大部分冷氣流經冷凍室出口並在其底部再流通。其餘的冷氣則通過頂部出口進入冷藏室。



切勿使食品包堵住任何一個冷氣出口。要是被堵住了，就會妨礙空氣流動，可能會發生保溫能力差和潮濕等問題。

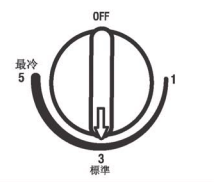
重要提示：由於冷藏室和冷凍室之間有空氣循環，所以任何一室的異味都會傳播到另一室。因此兩室都必須徹底加以清洗，以消除異味。為防止異味傳播和食品變乾，應將食品嚴實地包裝起來或蓋起來。

使用控制器

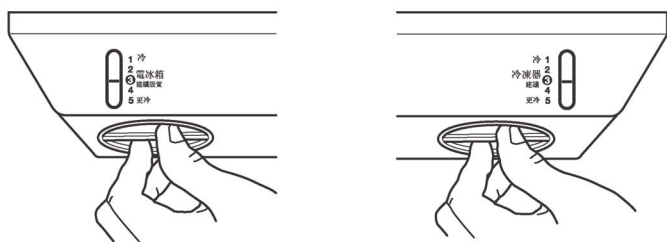
爲了您的方便，您的冰箱控制器在工廠就已經預先設置完畢。當您第一次安裝冰箱時，確保您的控制器如圖所示依然處於中間位置。

注意：要關掉您的冰箱，將控制器調至 OFF（關）的位置，或直 OFF 字樣出現。當設置在 OFF 位置時，食物不會變冷。

中間位置“3”的狀態



中間位置“3”的狀態



重要提示：

- 讓電冰箱有足夠的時間冷卻，才添加食物。最理想的是等二十四小時，然後把食物放入電冰箱。
- 如果在冷藏室完全冷卻之前就向裡面添加食品，食品有可能會變質。把冷藏室和冷凍室的控制器都轉到一個比建議位置更高（更冷）的位置，並不會使電冰箱冷得快些。

調整控制設置

在前面部分提到的中間設置應當適合正常的家庭使用。當牛奶和果汁涼度正好適合您飲用，以及霜淇淋有一定硬度時，表示設置是正確的。

如果冷藏室或冷凍室的溫度過高或過低，首先應當檢查一下通風孔是否被堵塞，要保證通風孔通暢。

若您要調節溫度，請按下表所列的設置方法進行調節。若您的冰箱有兩個控制裝置的話，請先調節冷藏室溫度。在兩次調整之間至少要相隔24小時，在每次調整後重新檢查溫度。

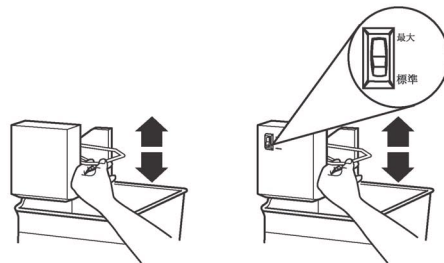
情況／原因	調整：
冷藏室太冷 控制器設置不符合您的情況	將冷藏室或溫度控制器調低一格
冷藏室太暖 — 頻繁使用或房間太熱	將冷藏室或溫度控制器調高一格
冷凍室太冷 控制器設置不符合您的情況	將冷凍室或溫度控制器調低一格
冷凍室太熱／冰太少 — 頻繁使用或用冰太多	將冷凍室或溫度控制器調高一格

制冰器 (有的型號中有一附件)

制冰器的開“On”與關“Off”

注意：不要向上或向下強推金屬臂。

- 要讓制冰器開始工作，可將金屬臂按下。
注意：制冰器有自動關閉功能。結冰後，冰塊會填滿儲存盒。儲存盒滿後，冰塊會將制冰器的金屬棒頂起到OFF位置（向上指）。
- 若要手動關閉制冰器，可將金屬臂升到OFF位置（向上指），自製直至聽到卡嗒一聲，以確保制冰器不再繼續制冰。



制冰速度

- 正常制冰：制冰器在24小時內大約製造8-12批冰塊。若制冰不夠快，將冷凍室控制器調高（更冷）半檔（例如控制器的數位是3，可將之調至3與4之間）。等候24小時，若有必要，可將控制器逐漸調高到最高位置，每次調整均需要等候24小時。
- 最大制冰量（適用於某些型號）：制冰器在24小時內大約製造16-20批冰塊。如果您的型號有最大制冰量功能，可將控制器調至最大制冰量設置的位置。

謹記

- 制出第一批冰需要24小時。請棄置頭三批冰。
- 制出的冰的質量總是與您提供給制冰器的水的質量一致。不要給制冰器提供軟化水。水的軟化劑（如鹽）可能損害制冰器的部件並降低冰的質量。若只能供應軟化水，就要保證軟化設備沒有故障並且得到很好維護。
- 不要在制冰器頂部或儲冰盒中放置東西。

保養您的電冰箱

清潔

警告



爆炸危險

要使用非易燃性的清潔劑。
否則可能引起死亡、爆炸或火災。

冷藏室和冷凍室都能自動除霜。但兩者都應大約一個月清潔一次，以防止異味積聚。對溢出物要立刻擦掉。

清潔您的電冰箱：

1. 拔掉電冰箱的插頭或切斷電源。
2. 卸下電冰箱內部的所有可卸下的部件，如儲物架、蔬果保鮮盒等。
3. 用手徹底擦洗，沖淨和擦乾可卸下的部件和冰箱的內部表面。要使用清潔的海綿或柔軟的布，及用溫水稀釋一般濃度的洗滌劑。
 - 不要使用腐蝕性的或烈性的清潔劑，如噴霧式玻璃清潔劑、沖刷用去污劑、易燃液體、清潔蠟、濃縮去污劑、漂白粉或含有石油產品的清潔劑來清潔塑膠部件、冰箱內部和門套或閂墊。不要使用擦手紙、沖刷墊或其他尖銳的清潔工具。這些工具可刮傷或損壞部件。
 - 若要除去異味，您可以用溫水混合小蘇打洗拭內壁（1誇脫水中加入兩湯匙小蘇打 [即0.95升水中加入26克小蘇打]）。
4. 要用清潔的海綿或柔軟的布，以及用溫水稀釋的一般濃度的洗滌劑擦洗冰箱的外表。不可使用有腐蝕性或烈性的清潔劑。然後要用柔軟的布徹底擦幹。為了進一步保護上了塗料的金屬表面，以免受損壞，應用清潔柔軟的布打上一層家具蠟（或汽車膠臘）。請不要往塑膠部分打蠟。

注意：為了使您的不銹鋼冰箱像新的一樣，也為了清除摩擦或痕跡，我們建議您使用生產廠家認可的不銹鋼清潔劑／光亮劑。

重要提示：本清潔劑／光亮劑僅適用於不銹鋼部件！

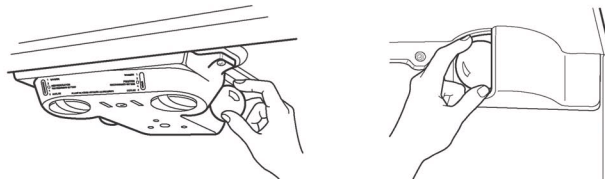
不要讓本不銹鋼清潔劑／光亮劑接觸到任何塑膠部件，如修飾件、分配器蓋、門封條等。若不慎接觸到塑膠部件，應該用海綿加溫水稀釋的一般濃度的清潔劑來擦洗。然後用軟布徹底擦幹。

5. 定期清潔冷凝器蛇形管。冷凝器蛇形管可能需要隔月清潔一次。這有助於節約能源。
 - 取出底部鐵架。參閱“底部鐵架”圖或“底部鐵架”部分。
 - 使用帶有軟刷的吸塵器清洗鐵架，鐵架背後露出部位和冷凝器表面。
 - 清潔完畢，重裝底部鐵架。
6. 插上電冰箱插頭或重新接上電源。

更換燈泡

注意：不是所有的燈泡都適用於您的電冰箱。一定要使用一個大小、形狀和瓦數都相同的燈泡來更換您電冰箱上的燈泡。

1. 拔出電冰箱插頭或切斷電源。
2. 從電冰箱控制製面板後面取下燈泡，或從冷凍室燈罩後面取下燈泡（在有些型號中）。換上一個同樣瓦數的燈泡。
3. 插上電冰箱插頭或重新接上電源。



停電

如果停電不超過24小時，請將冷藏室和冷凍室的門一直關著（視電冰箱的型號而定），以使食品保持冷藏和冷凍。

如果停電時間超過24小時，即可採取以下一種方法：

- 取出所有已凍的食品，保存到一個冷凍食品抽屜中。
- 在冷凍室中，每立方英尺（28公升）冷凍室空間放2磅（907克）幹冰。這將使食品在2至4天內保持冷凍狀態。
- 如果食品抽屜和幹冰都沒有，那就應該將容易變質的食品吃掉，或做成罐頭。

記住：塞滿了食品的冷凍室保冷的時間比未塞滿的時間要長一些，塞滿了肉食品的冷凍室保冷時間比塞滿烘烤食品的時間要長一些。您要是發現食品還有冰粒，那可能是又重新冷凍了，雖然質量和味道可能稍受影響。如果食品的情況不佳，那就應該丟掉。

休假和搬家時的維護

休假

如果您外出時還讓電冰箱繼續開著，就在離家之前做好以下幾件事。

1. 把所有容易變質的食品吃完，並將其他食品冷凍起來。
2. 如果您的電冰箱有一個自動製冰器，則：
 - 將製冰器的指示針轉到OFF（向上）的位置。
 - 切斷製冰器的水源。
3. 將冰盒倒空。

如果離家前您決定關掉電冰箱，則須遵照以下步驟。

1. 取出電冰箱中所有食品。
2. 如果您的電冰箱有自動製冰器，還要：
 - 至少提前一天關掉給製冰器供水的水源。
 - 最後一批冰掉落後，將製冰器的指針升到OFF（向上）位置。
3. 將溫度控制器（或是電冰箱控制器，視電冰箱的型號而定）轉到OFF。請參見“控制器的使用”部分。
4. 清潔，擦乾電冰箱。

5. 在冷凍室門和冷藏室門的上部粘上橡皮或木塊，讓門盡可能打開，以便空氣進入。這樣能防止產生怪味和黴菌。小心別讓木塊損壞門的封條。

搬家

當您要把電冰箱搬到新家時，請按下列步驟準備搬運電冰箱。

1. 如果您的電冰箱有自動製冰器：
 - 至少提前一天關掉製冰器的水源。
 - 斷開電冰箱後面的水管。
 - 在最後一批冰掉落後，將製冰器的指針升至 OFF（向上）的位置。
2. 取出電冰箱內的所有食品，並用幹冰包裝好所有冷凍的食品。

3. 將溫度控制器（或電冰箱控制器，視電冰箱的型號而定）轉到 OFF。請參見“控制器的使用”部分。
 4. 拔掉電冰箱的電源插頭。
 5. 倒掉在底部鐵架後面的除霜盤中的水。
 6. 完全清潔，擦乾電冰箱。
 7. 取出所有的可卸下的部件，將它們包好和幫好，以免它們在搬家時發生松脫或發出碰撞的聲音。
 8. 對於帶有水平腳的型號，調整滑輪升高冰箱的前部，使電冰箱更容易滾動。參見“調整冰箱門。”
 9. 將冰箱門關上並用膠帶封好，用粘膠帶將電源線粘在冰箱的櫃體上。
- 您搬入新屋後，爲了把每樣東西都復原裝上，可參看“安裝電冰箱”一節的說明。如果您的電冰箱設有自動製冰器，別忘了要給冰箱重新接上水源。

排除故障

爲了避免打電話請人來維修而產生不必要的費用，請先試試以下方法。

電冰箱的運行

電冰箱不工作

電機運轉時間過長

警告



觸電危險

插入接地的三相分流插座。

不要拆除接地分流裝置。

不要使用適配器。

不要使用加長電源線。

否則會導致死亡，火災或者觸電。

- 沒有插電源線？
- 分流插座是否正常？接入一盞燈，查看分流插座是否有電。
- 家中保險絲熔斷或者斷路器跳閘？
- 控制器是否開啓？確定電冰箱控制器開啓。參見“使用控制器”。
- 剛剛安裝？安裝後 24 小時，電冰箱才會完全冷卻。
注意：將溫度控制器溫度調至最低不會加快冷凍室或冷藏室內的冷卻速度。

因爲它的高效壓縮機和風扇，您的新電冰箱可能比舊電冰箱運轉的時間更長。如果室內溫度高，裝入大量食物，經常開電冰箱門或者不關電冰箱門，時間可能更長。

電冰箱噪音大

電冰箱的噪音會隨著使用時間變長而降低。由於噪音下降，你可能會注意到新電冰箱有間歇的噪音，而你的舊型號電冰箱沒有這樣的噪音。下面列出了一些正常的聲音並加以說明。

- 嗡嗡聲 - 當水閥開啓，注入制冰器時可以聽到。
- 脈動聲音 - 風扇/壓縮機調整，以優化性能。
- 嗡嗡聲/卡嗒聲 - 製冷劑流動，水管的水流聲，或者來自置於電冰箱頂部的物品。
- 嗡嗡聲/汩汩聲 - 在除霜過程中水滴在加熱器上。
- 爆裂聲 - 內壁收縮/膨脹，尤其是在開始的冷卻過程中。
- 水流 - 當除霜過程中融化出的水流入排水盤中時可能聽到。
- 吱吱聲/破裂 - 冰塊從制冰器模子中彈出的時候可能聽到。

電冰箱門關不緊

- 電冰箱門開啓受到阻礙? 將食物從電冰箱門上取下。
- 盒子或者架子礙事? 將盒子或者架子推回到正確的位置。
- 保險盒蓋子礙事? 確保保鮮盒蓋子完全推入，使得後部置於架子之上。

電冰箱門開啓困難

警告



爆炸危險

使用不可燃清潔劑。

否則會導致死亡，爆炸或者火災。

- 襯墊髒或者發粘? 使用一般鹼性的肥皂和熱水清洗襯墊和接觸面。用軟布擦幹。

燈不亮

- 燈泡與底座的接觸是否鬆動或者燈泡燒毀? 參見“更換燈泡”。

溫度和濕度

溫度過熱

- 剛剛安裝? 安裝後等待24小時，電冰箱才會完全冷卻。
- 經常打開冰箱門或者不關冰箱門? 使得熱空氣進入冰箱。將冰箱門開啓時間減至最少並將電冰箱門關緊。
- 加入大量食物? 等待幾個小時，電冰箱會回到正常的溫度。
- 是否根據周圍條件正確設置了控制器? 將控制器的設置溫度調低一檔。在24小時之內檢查溫度。參見“使用控制器”。

內部形成水汽凝結

注意: 有些水汽凝結是正常的。

- 房間潮濕? 導致水汽凝結。
- 經常打開冰箱門或者不關冰箱門? 使得潮濕空氣進入冰箱。將冰箱門開啓時間減至最少並將冰箱門關緊。

冰塊和水

制冰器不產冰或者產冰量不足

- 電冰箱與水源連接並且水閥開啓? 將電冰箱與水源連接，並完全打開水閥。
- 水源管線彎曲? 管線中的彎曲會降低水流量。將供水管線拉成直管線。
- 制冰器是否開啓? 確定金屬開啓閥門或者開關(與型號有關) 處於開啓位置。
- 剛剛安裝? 在安裝制冰器之後等待24小時，再開始制冰。等待72小時，完成制冰。
- 最近是否取出大量冰塊? 等待24小時，讓制冰器產出更多的冰。
- 冰塊阻塞了制冰器的彈出器臂? 使用塑膠工具將冰塊從彈出器臂中取出。
- 反滲透過濾系統是否與冷水水源連接? 這將降低水壓。參見“水源要求。”

冰塊中空或者較小

注意: 這是水壓過低的信號。

- 水閥沒有完全開啓? 將水閥完全打開。
- 水源管線彎曲? 管線中的彎曲會降低水流量。將供水管線拉成直管線。
- 反滲透過濾系統是否與冷水水源連接? 這將降低水壓。參見“水源要求。”
- 仍與水壓有關的問題? 請致電有許可證、合格的管道工。

殘留味道, 異味或者冰塊發灰

- 連接的是新管路? 新的管路連接可能引起冰塊顏色和味道異常。
- 冰塊存放時間過長? 棄置冰塊。清洗冰盒。等待24小時，再使用制冰器制冰。
- 來自食物的異味? 使用密封、防潮包裝儲存食物。
- 水中是否含有礦物質(如硫)? 可能需要安裝過濾網去除礦物質。

幫助或服務

在打電話請求幫助或維修服務之前，請先查看“故障排除指南”。這也許可以幫您節省下請人維修的費用。若仍需幫助，則按以下步驟進行。

同您購買本電冰箱的經銷商或 Whirlpool 公司授權的維修服務公司聯繫。

您是否需要更換零件

在更換 Whirlpool 電器部件時，要選用品質優越的部件。

爲了在您所在的地區找到製造商指定的零件更換地點，同您購買本電冰箱的經銷商或 Whirlpool 公司指定的維修中心聯繫。

保證書

如果需要保修資訊，請與向您銷售產品的經銷商聯繫。

請將本手冊與收據一起保存，以備將來查詢之用。保修期內的服務要求您必須提供購買日期或者安裝日期的證明。

請記錄下你的電冰箱的以下信息，如果需要的話，它會幫助您獲得協助或者服務。您需要知道您的電器的完整型號和序列號。您可以在型號和序列號標籤上找到這些信息，它們位於電冰箱的室體內壁上。

經銷商名稱 _____

序列號 _____

地址 _____

電話號碼 _____

型號 _____

購買日期 _____



東元 惠而浦合資企業

東穎惠而浦股份有限公司

臺北總公司：臺北市新生南路一段50號12樓 (02) 2394-6666
(捷運板南線忠孝新生站2號出口)

台中分公司：台中市西區太原路一段216號 (04) 2316-0025

高雄分公司：高雄左營區明潭路62號 (07) 588-8100

服務專線：

臺北：(02) 2356-0165 中壢：(03) 494-1296 新竹：(03) 561-6300

台中：(04) 2325-5411 雲嘉：(05) 236-1713 台南：(06) 274-1447

台東：(089) 326-6005 高屏：(07) 588-8100

網址：<http://www.whirlpool.com.tw>