

**36" ELECTRIC RANGETOP**

Configuration

**FEATURES**

Black Ceramic Smoothtop Glass Surface  
 Large Professional Skirted Knob w/Bezel  
 6" Burner – 1200W  
 6" to 9" Expandable Burner – 1000W/2500W  
 7"/Bridge/7" Burner – 1800W/2600W (4400W)  
 Hot Surface Indicator Light  
 Spill Control Rangetop

**ACCESSORIES**

Griddle  
 9" Stainless Steel Backsplash Kit - 903048-9010  
 Black Knob Kit - 903049-9010

**SPECIFICATIONS**

Power Cable Location  
 Connected Load Rating - 240/208 Volts  
 Electrical – Single phase 3- or 4- wire cable, 120/240V or 120/208V, 60 Hz AC only electrical supply with ground on separate circuit fused on both sides of line  
 Armored Electrical Cable  
 Product Weight  
 Shipping Weight  
 UPC (0-12505-)

**E36EC75DSS**

6 Electric Burners

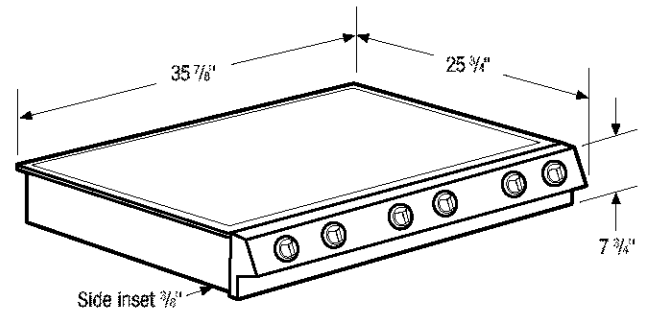
Yes  
 6  
 2  
 2  
 1  
 6 Positions  
 Yes

Included  
 Optional  
 Optional

Right Rear  
 11.8/8.8kW

Required

Included  
 68 Lbs.  
 72 Lbs.  
 08574-6



**NOTE:** Always consult local and/or national electric codes. Refer to Product Installation Guide for detailed installation instructions or visit us on the web at [www.electroluxusa.com](http://www.electroluxusa.com).

**36" GAS RANGETOP**

Configuration

**FEATURES**

Black Ceramic Glass Rangetop Surface  
 Large Professional Skirted Knob w/Bezel  
 Sealed Burner – 17,000 BTU  
 Sealed Burner – 14,200 BTU  
 Sealed Burner – 12,000 BTU  
 Sealed Burner – 9,500 BTU  
 Sealed Burner – 5,000 BTU  
 Linear Flow Burner Valves  
 Electronic Ignition  
 Interlocking Grates

**ACCESSORIES**

Griddle  
 Wok Ring  
 Simmer Plate  
 9" Stainless Steel Backsplash Kit - 903048-9010  
 Black Knob Kit - 903049-9100

**SPECIFICATIONS**

Gas Inlet Location  
 Lp Conversion Kit  
 Voltage Rating  
 Electrical Cable  
 Product Weight  
 Shipping Weight  
 UPC (0-12505-)

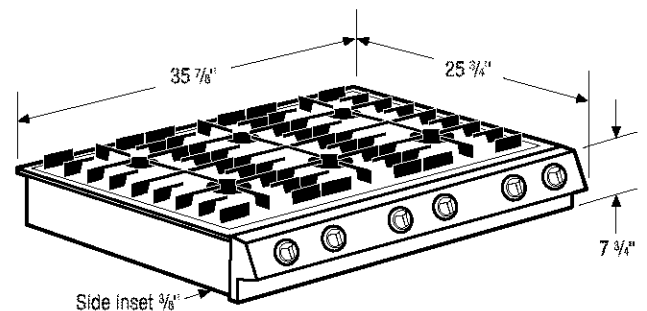
**E36GC75DSS**

6 Sealed Burners

Yes  
 6  
 1  
 1  
 1  
 2  
 1  
 Yes  
 Yes  
 3

Included  
 Included  
 Included  
 Optional  
 Optional

Right Rear  
 Included  
 120V/1.2W/  
 60Hz/0.1Amp  
 Included  
 105 Lbs.  
 110 Lbs.  
 08628-6



**NOTE:** Always consult local and/or national electric and gas codes. Refer to Product Installation Guide for detailed installation instructions or visit us on the web at [www.electroluxusa.com](http://www.electroluxusa.com).