

# SERVICE DATA SHEET

# 318047423 (0706) Rev. A

Electric Wall Oven with ES560 or ES560W1 Electronic Oven Control

## NOTICE

This service data sheet is intended for use by persons having electrical and mechanical training and a level of knowledge of these subjects generally considered acceptable in the appliance repair trade. **The manufacturer cannot be responsible, nor assume any liability, for injury or damage of any kind arising from the use of this data sheet.**

## SAFE SERVICING PRACTICES

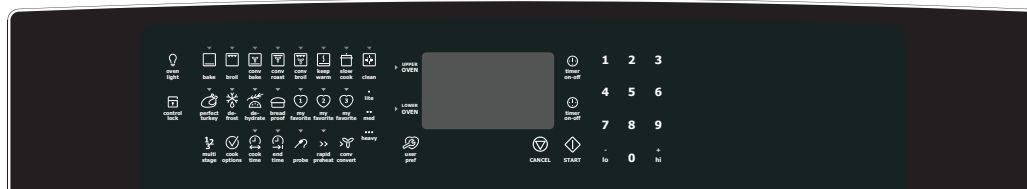
To avoid the possibility of personal injury and/or property damage, it is important that safe servicing practices be observed. The following are examples, but without limitation, of such practices.

1. Do not attempt a product repair if you have any doubts as to your ability to complete it in a safe and satisfactory manner.
2. Before servicing or moving an appliance, remove power cord from electric outlet, trip circuit breaker to OFF, or remove fuse and turn off gas supply.
3. Never interfere with the proper installation of any safety device.
4. USE ONLY REPLACEMENT PARTS CATALOGED FOR THIS APPLIANCE. SUBSTITUTIONS MAY DEFEAT COMPLIANCE WITH SAFETY STANDARDS SET FOR HOME APPLIANCES.
5. GROUNDING: The standard color coding for safety ground wires is GREEN OR GREEN WITH YELLOW STRIPES. Ground leads are not to be used as current carrying conductors. IT IS EXTREMELY IMPORTANT THAT THE SERVICE TECHNICIAN REESTABLISH ALL SAFETY GROUNDS PRIOR TO COMPLETION OF SERVICE. FAILURE TO DO SO WILL CREATE A POTENTIAL HAZARD.
6. Prior to returning the product to service, ensure that:
  - All electric connections are correct and secure.
  - All electrical leads are properly dressed and secured away from sharp edges, high-temperature components, and moving parts.
  - All non-insulated electrical terminals, connectors, heaters, etc. are adequately spaced away from all metal parts and panels.
  - All safety grounds (both internal and external) are correctly and securely reassembled.
  - All panels are properly and securely reassembled.

## ELECTRONIC OVEN CONTROL (DOUBLE WALL OVEN)

1. This self-cleaning controller offers Bake, Broil, Convection Bake, Convection Roasting and Convection Broil modes, Dehydrating, Defrosting, Temperature Probe, Perfect Turkey (some models), Bread Proof, Keep Warm and Cleaning functions.
2. Convection operates with an element and a fan dedicated to convection.
3. This controller includes a display board, a relay board, and a convection fan and oven light control board.

**NOTE:** These illustrations are for double wall ovens only. The illustrations for the single wall ovens can be found on the next page.

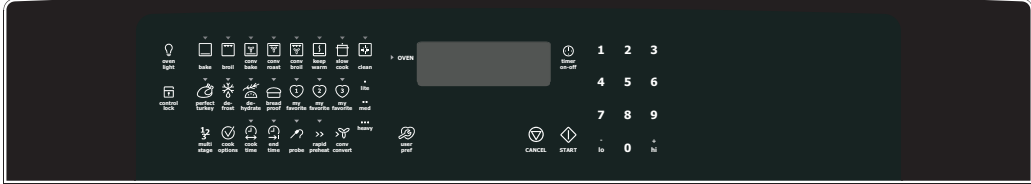


**NOTE:** The controllers are not field repairable. Only temperature settings can be changed. See oven calibration. Printed in the United States

## ELECTRONIC OVEN CONTROL (SINGLE WALL OVEN)

1. This self-cleaning controller offers Bake, Broil, Convection Bake, Convection Roasting and Convection Broil modes, Dehydrating, Defrosting, Temperature Probe, Perfect Turkey (some models), Bread Proof, Keep Warm and Cleaning functions.
2. Convection operates with an element and a fan dedicated to convection.
3. This controller includes a display board, a relay board, and a convection fan and oven light control board.

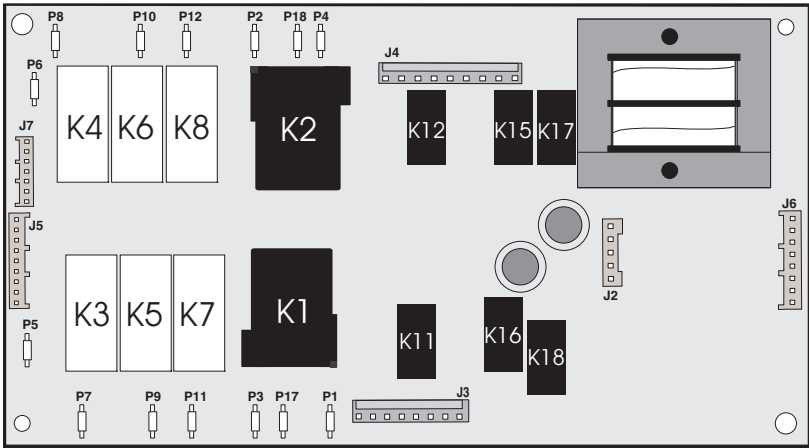
**NOTE:** These illustrations are for single wall ovens only. The illustrations for the double wall ovens can be found on the previous page.



**NOTE:** The controllers are not field repairable. Only temperature settings can be changed. See oven calibration.

## ELECTRONIC DOUBLE WALL OVEN CONTROL

### Electronic oven control relay board for double wall oven



*This relay board serves to energize the upper and lower oven heating elements, door lock motor and cooling fan.*

### Relay Board Legend:

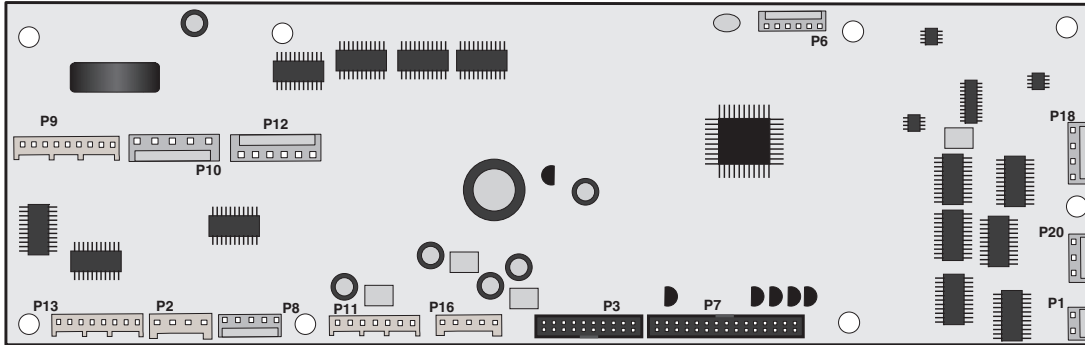
- K1. Double Line Break - Upper Oven
- K2. Double Line Break - Lower Oven
- K3. Broil Relay - Upper Oven
- K4. Broil Relay - Lower Oven
- K5. Bake Relay - Upper Oven
- K6. Bake Relay - Lower Oven
- K7. Convection Element Relay - Upper Oven
- K8. Convection Element Relay - Lower Oven
- K11. Motor Door Latch - Upper Oven
- K12. Motor Door Latch Relay - Lower Oven
- K15. Cooling Fan Relay Low Speed - Lower Oven
- K16. Cooling Fan Relay Low Speed - Upper Oven
- K17. Cooling Fan Relay High Speed - Lower Oven
- K18. Cooling Fan Relay High Speed - Upper Oven

- P1 - L2 Out, Upper Oven
- P2 - L2 Out, Lower Oven
- P3 - L2 In, Upper Oven
- P4 - Not Used
- P5 - L1, Upper Oven
- P6 - L1, Lower Oven
- P7 - Broil, Upper Oven
- P8 - Broil, Lower Oven
- P9 - Bake, Upper Oven
- P10 - Bake, Lower Oven
- P11 - Convection Element, Upper Oven
- P12 - Convection Element, Lower Oven
- P17 - Not Used
- P18 - L2 In, Lower Oven

- J2 - DC Power Output To Display Board
- J3 - AC Power Output (motor door latch, cooling fan) For Upper Oven
- J4 - AC Power Output (motor door latch, cooling fan) For Lower Oven and Power Input (L1, Neutral)
- J5 - Relay Control Inputs (bake and broil elements, motor door latch, DLB) For Upper Oven
- J6 - Relay Control Inputs (cooling fan, conv element) For Both Ovens
- J7 - Relay Control Inputs (bake and broil elements, motor door latch, DLB) For Lower Oven

# ELECTRONIC DOUBLE WALL OVEN CONTROL

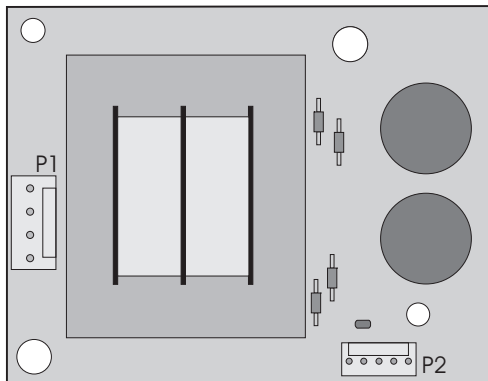
## Electronic oven display board for double wall oven.



### Connector Legend:

- P1 - Upper Oven Probe Input
- P2 - Communication with Convection Fan and Oven Light Control Board
- P3 - Keyboard (touch panel)
- P6 - Microprocessor Programming (not used)
- P7 - Touch Panel LEDs
- P8 - Power Supply Input for Touch Panel LEDs
- P9 - Relay Control Output (heating elements, DLB, motor door latch) for Upper Oven
- P10 - Switches Input (motor door latch switch, door switch, rack switch) for Upper Oven
- P11 - Relay Control Output (heating elements, DLB, motor door latch) for Lower Oven
- P12 - Switches Input (motor door latch switch, door switch, rack switch) for Lower Oven
- P13 - Relay Control Output (cooling fans) for Upper and Lower Ovens
- P16 - DC Power Supply Input
- P18 - Upper and Lower Oven Meat Probe Input
- P20 - Lower Oven Probe Input

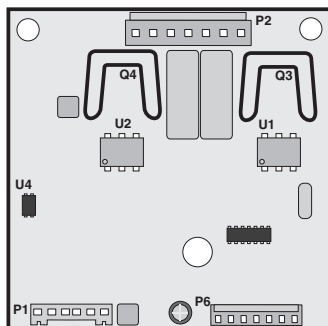
## Power supply board for single and double wall oven



*This board provides power to the oven control display.*

- P1 - AC Power Input (L2 and Neutral)
- P2 - DC Power Output

## Convection fan and oven lights control board

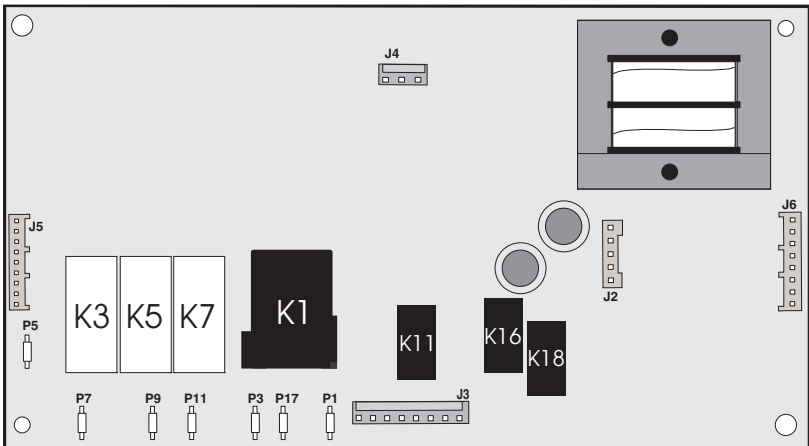


*This board control the power output of the convection fan and oven lights. The double wall oven is equipped with 2 of these variable convection boards. One for each oven.*

- P1 - Communication with display board and power supply input
- P2 - AC power output for convection fan and oven lights, power inputs (L1, neutral)
- P3 - Microprocessor programming (not used)

# ELECTRONIC SINGLE WALL OVEN CONTROL

## Electronic oven control relay board for single wall oven

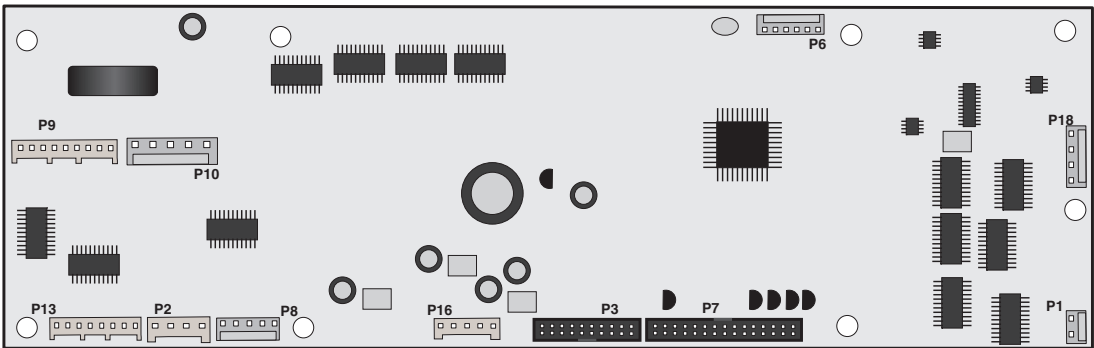


- Relay Board Legend:**
- K1. Double Line Break
  - K3. Broil Relay
  - K5. Bake Relay
  - K7. Convection Element Relay
  - K11. Motor Door Latch
  - K16. Cooling Fan Relay Low Speed
  - K18. Cooling Fan Relay High Speed

*This relay board serves to energize the oven heating elements, door lock motor and cooling fan.*

- P1 - L2 Out
- P3 - L2 In
- P5 - L1
- P7 - Broil
- P9 - Bake
- P11 - Convection Element
- P17 - Not Used
- J2 - DC Power Output To Display Control Board
- J3 - AC Power Output (motor door latch, light, cooling fan)
- J4 - Power Input (L1, Neutral)
- J5 - Relay Control Inputs (bake and broil elements, motor door latch, DLB)
- J6 - Relay Control Inputs (cooling fan, conv element)

## Electronic oven display board for single wall oven








- Connector Legend:**
- P1 - Oven Probe Input
  - P2 - Communication with Convection Fan and Oven Light Control Board
  - P3 - Keyboard (touch panel)
  - P6 - Microprocessor Programming (not used)
  - P7 - Touch Panel LEDs
  - P8 - Power Supply Input for Touch Panel LEDs
  - P9 - Relay Control Output (heating elements, DLB, motor door latch)
  - P10 - Switches Input (motor door latch switch, door switch, rack switch)
  - P13 - Relay Control Output (cooling fans)
  - P16 - DC Power Supply Input
  - P18 - Meat Probe Input

## CONVECTION MODE

The convection oven uses the addition of a fan and an element to heat and to move the air already in the oven. Moving the heated air helps to de-stratify the heat and cause uniform heat distribution. The air is drawn in through a fan shroud and the element located on the rear wall of the oven. It is then discharged around the outer edges of this shroud. The air circulates around the food and then enters the shroud again. As with conventional electric wall ovens, there is still an oven vent which discharges above the door. In preheat of non-convection cooking modes, the convection fan will be operating until the oven has reached the target temperature.

To set the control in convection mode, follow these steps:

1. On a double wall oven: Select oven by pressing either **UPPER OVEN** <sup>UPPER OVEN</sup> or **LOWER OVEN** <sup>LOWER OVEN</sup>.
2. Press **CONVECTION BAKE**  or **CONVECTION ROAST**  or **CONVECTION BROIL** .
3. Press **START** . The oven will automatically start and the fan will begin to run.
4. Press **CANCEL**  to stop or cancel the Convection feature at any time.

**NOTE:** The fan runs continuously while in the convection mode. The fan will stop if the door is opened while convection baking/roasting/broiling. The convection element will stop operating if the door is opened. The speed of the convection fan will vary depending on which cooking function is used. Convection Roast uses a fast fan speed, while convection bake uses a slower fan speed.

## CONVECTION FAN MOTOR

The 120V fan motor is located on the outside of the rear of the oven.

The fan motor runs continuously while in convection mode unless the door is opened.

It is normal to see the fan speed changing depending on the cooking function that is used. This appliance uses the optimum fan speed for each convection function.

It is the Convection Fan and Oven Lights Control Board that modulates the speed of the convection fan. It uses the fan speed information communicated by the display board.

On a double wall oven there are two Convection Fan and Oven Lights Control Boards, one for each cavity.

If the fan does not operate, check the following:

- The oven control display will give you an indication on when the convection fan should be on: rotating fan blades in the display means the fan should be ON. No rotating blades mean the convection fan is purposely not used.
- Verify proper operation of the door switch. If the control thinks the door is opened the convection fan will not work. If the oven light turns on when the door is opened and turn off when the door is closed then it's a good indication the door switch is good.
- If you are getting an F23 or F24 error code it means the display board is not able to communicate with the Convection Fan and Oven Lights Control Board, thus the convection fan will not operate. Check connections between the display board and the Convection Fan and Oven Lights Control Board. Refer to the fault code section for corrective actions.
- Check connections on the Convection Fan and Oven Lights Control Board. On connector P2: pin 3 should be Neutral, pin 5 should be L1 (120VAC) and pin 7 should go to the convection fan motor. The other terminal of the convection fan motor should be connected to Neutral.
- Fan motor coil resistance should be 15.0 ohm +/- 10%
- When the fan is ON you should see between 20 and 120VAC on the motor, depending on the fan speed.
- If there is no error code, the wiring is good and the fan coil is good then replace the Convection Fan and Oven Lights Control Board.

## OVEN CALIBRATION

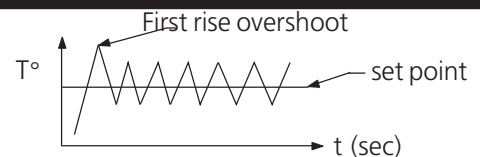
Set the electronic oven control for normal baking at 350°F. Obtain an average oven temperature after a minimum of 5 cycles.

The oven calibration can be modified using the oven control display. Please refer to the Owner's Guide manual.

**Note:** Changing calibration affects all the cooking modes but not the clean and the broil modes.

## FIRST RISE

It is normal to see a temperature overshoot in the first rise of all modes when you monitor the temperature.



## ELECTRONIC OVEN CONTROL (FAULT CODES)

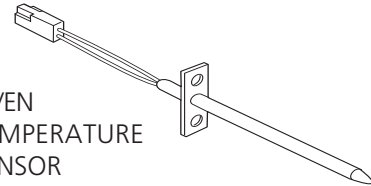
### ELECTRONIC OVEN CONTROL (EOC) FAULT CODE DESCRIPTIONS

**Note:** Generally speaking "F1X" implies a control failure, "F3X" an oven probe problem, and "F9X" a latch motor problem.

Failure Code/Condition/Cause	Suggested Corrective Action
<b>F10</b> Control has sensed a potential runaway oven condition. Control may have shorted relay, RTD sensor probe may have a gone bad.	<ul style="list-style-type: none"> <li>- Check RTD sensor probe and replace if necessary. If oven is overheating, disconnect power. If oven continues to overheat when power is reapplied, replace relay board and/or display board.</li> </ul>
<b>F11</b> Shorted Key: a key has been detected as pressed for a long period and will be considered a shorted key alarm and will terminate all oven activity.	<ul style="list-style-type: none"> <li>- Press any key to clear the error.</li> <li>- If fault returns, replace the keyboard (touch panel).</li> <li>- If the problem persists, replace the display board.</li> </ul>
<b>F13</b> Control's internal checksum may have become corrupted.	<ul style="list-style-type: none"> <li>- Press any key to clear the error.</li> <li>- Disconnect power, wait 30 seconds and reapply power. If fault returns upon power-up, replace display board.</li> </ul>
<b>F14</b> Misconnected keyboard cable	<ul style="list-style-type: none"> <li>- Verify connection between display board and touch panel (2 ribbon cables). Make sure the cables are well connected at both ends.</li> <li>- If the cables are good, replace the touch panel.</li> <li>- If the problem persists, replace the display board.</li> </ul>
<b>F15</b> Controller self check failed.	<ul style="list-style-type: none"> <li>- Replace the display board.</li> </ul>
<b>F23</b> The controller failed to communicate with the (upper) convection fan and oven lights control board.	<ul style="list-style-type: none"> <li>- Verify wiring between P2 on the display board and P2 on the convection fan and oven lights control board.</li> <li>- If wiring is good, replace convection fan and oven lights board.</li> <li>- If the problem persists, replace the display board.</li> </ul>
<b>F24</b> The controller failed to communicate with the lower convection fan and oven lights control board. (On double wall oven)	<ul style="list-style-type: none"> <li>- Verify wiring between P2 on the display board and P2 on the convection fan and oven lights control board.</li> <li>- If wiring is good, replace convection fan and oven lights board.</li> <li>- If the problem persists, replace the display board.</li> </ul>
<b>F25</b> No zero cross signal detected on the upper or lower convection fan and oven lights control board.	<ul style="list-style-type: none"> <li>- Make sure L1 and Neutral are connected to the convection fan and oven lights control board on connector P2 (P2 pin 3= neutral / P2 pin 5 = L1).</li> <li>- If problem persists, replace the upper and/or lower oven convection fan and oven lights control board.</li> </ul>
<b>F26</b> Missing lower oven select signal on the lower oven convection fan and oven lights control board (double wall oven only).	<ul style="list-style-type: none"> <li>- The lower oven conv. fan and oven lights board is supposed to receive 5V on pin 5 of connector P1. This voltage originates from the display board (connector P2 pin 4), check wiring.</li> <li>- If problem persists, replace the con. fan and oven lights control board.</li> </ul>
<b>F30</b> Open RTD sensor probe/ wiring problem. Note: EOC may initially display an "F10", thinking a runaway condition exists.	<ul style="list-style-type: none"> <li>- Check wiring in probe circuit for possible open condition.</li> <li>- Check RTD resistance at room temperature (compare to probe resistance chart). If resistance does not match the chart, replace the RTD sensor probe.</li> </ul>
<b>F31</b> Shorted RTD sensor probe / wiring problem. Note: <b>F30</b> or <b>F31</b> is displayed when oven is in active mode or an attempt to enter an active mode is made.	<ul style="list-style-type: none"> <li>- Let the oven cool down and restart the function.</li> <li>- If the problem persists, replace the display board.</li> </ul>
<b>F90</b> Door motor mechanism failure.	<ul style="list-style-type: none"> <li>- Press any key to clear the error.</li> <li>- If it does not eliminate the problem, turn off power for 30 seconds, then turn on power.</li> <li>- Check wiring of Lock Motor, Lock Switch and Door Switch circuits.</li> <li>- Unplug the lock motor from the board and apply power (L1) directly to the Lock Motor. If the motor does not rotate, replace Lock Motor Assembly.</li> <li>- Check Lock Switch for proper operation (do they open and close, check with ohmmeter). The Lock Motor may be powered as in above step to open and close Lock Switch. If the Lock Switch is defective, replace Motor Lock Assembly.</li> <li>- If all above steps fail to correct situation, replace the display board and/or the relay board in the event of a motor that does not rotate.</li> <li>- If all the above steps fail to correct the situation, replace the display board in the event of a motor that rotates endlessly.</li> </ul>

RTD SCALE		
Temp. °F	Temp. °C	Resistance (ohms)
32 ± 1.9	0.0 ± 1.1	1000 ± 4.0
75 ± 2.5	23.9 ± 1.4	1091 ± 5.3
250 ± 4.4	121.1 ± 2.4	1453 ± 8.9
350 ± 5.4	176.7 ± 3.0	1654 ± 10.8
450 ± 6.9	232.2 ± 3.8	1852 ± 13.5
550 ± 8.2	287.8 ± 4.6	2047 ± 15.8
650 ± 9.6	343.3 ± 5.3	2237 ± 18.5
900 ± 13.6	482.2 ± 7.6	2697 ± 24.4

ELECTRICAL RATING			
Kw Rating 240/208 V	See Nameplate	Bake Element Wattage	2200W/1653W
Broil Element Wattage	On 27" Wall Oven 3400W/2554W On 30" Wall Oven 4000W/3004W	Convection Element Wattage	2500W/1879W



OVEN  
TEMPERATURE  
SENSOR

SINGLE WALL OVEN / UPPER OVEN ON DOUBLE WALL OVEN CIRCUIT ANALYSIS MATRIX										
	On Relay Board ELEMENTS				On Convection Fan and Oven Lights Control Board		On Display Board	On Relay Board		
	Bake P9	Broil P7	Conv. P13	Door Motor J3-5	Light P2-1	Convection Fan P2-7	Door Switch P8-3 / P8-5	DLB L2 out P1	Cooling Fan Low speed J3-7	Cooling Fan High speed J3-8
Bake	X	X	X*			X*		X	X	
Keep Warm	X							X	X	
Broil		X						X		X
Conv. Bake	X	X	X			X		X	X	
Conv. Roast	X	X	X			X		X	X	
Conv. Broil		X	X			X		X	X	
Clean	X	X						X	X	X
Locking				X						
Locked										
Unlocking				X						
Unlocked										
Light					X					
Door Open					X		X			
Door Closed										
Bread Proof	X							X	X	

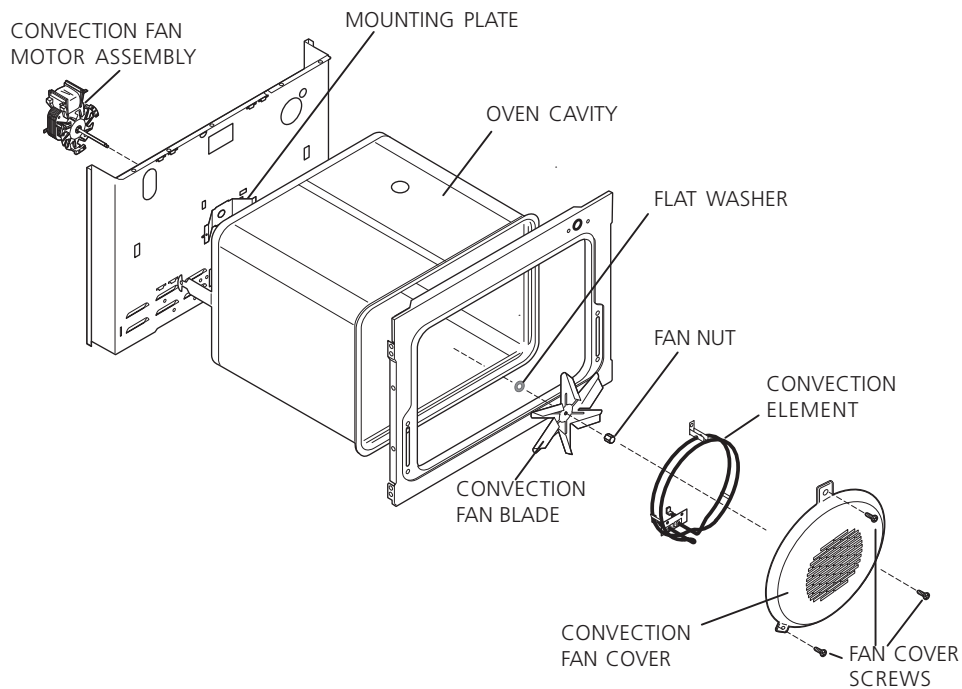
LOWER OVEN ON DOUBLE WALL OVEN CIRCUIT ANALYSIS MATRIX										
	On Relay Board ELEMENTS				On Convection Fan and Oven Lights Control Board		On Display Board	On Relay Board		
	Bake P10	Broil P8	Conv. P16	Door Motor J4-6	Light P2-1	Convection Fan P2-7	Door Switch P10-3 / P10-6	DLB L2 out P2	Cooling Fan Low speed J4-8	Cooling Fan High speed J4-9
Bake	X	X	X*			X*		X	X	
Keep Warm	X							X	X	
Broil		X						X		X
Conv. Bake	X	X	X			X		X	X	
Conv. Roast	X	X	X			X		X	X	
Conv. Broil		X	X			X		X	X	
Clean	X	X						X	X	X
Locking				X						
Locked										
Unlocking				X						
Unlocked										
Light					X					
Door Open					X					
Door Closed							X			
Bread Proof	X							X	X	

■ Relay will operate in this condition only

\* Convection element and fan are used for the first rise of temperature.



## EXPLODED VIEW OF CONVECTION SYSTEM



### FAN BLADE

The fan blade is mounted in the rear of the unit and has a "D" shaped mounting hole. Only minimum clearance exists between the oven back, fan blade, and fan shroud. Be careful not to bend blade when removing or installing.

Access to the fan blade is gained by removing the fan shroud, held in place by three screws, from the inside of the oven.

The fan blade is held in place with a hex nut that has left handed threads. When removing this nut, gently hold the fan blade, and turn the nut clockwise. If one of the blades becomes deformed, it may be bent back into shape using a flat surface as a reference.

A flat washer is located on the motor shaft between the snap ring on the shaft and the fan blade.

**NOTE:** If the fan blade is bent and motor vibrations increase, the noise made by the fan will be greater.

### MOUNTING PLATE OVEN

The fan motor on the rear of the unit is mounted to the main back (with three screws). There is a mounting plate held in place between the main back (with 2 screws) and the rear oven wall (with 2 screws). Should it be necessary to replace the oven cavity, you must remove the 2 screws located inside the unit at the rear of the oven cavity.

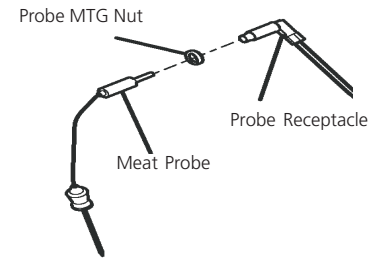
### COOLING FAN MOTOR

The 120 volt fan motor is located on the outside of the rear of the oven. The cooling fan has 2 speed options, which are driven by the oven controller. The high speed mode is used on self-clean when the temperature gets over 575F. The high speed is also used anytime the broil function is used. The cooling fan may remain at high speed after the broil function is cancelled to allow better cooling of the oven. On double wall ovens, the blower in both ovens will start when using one of the ovens in self-clean mode.



## MEAT PROBE RESISTANCE

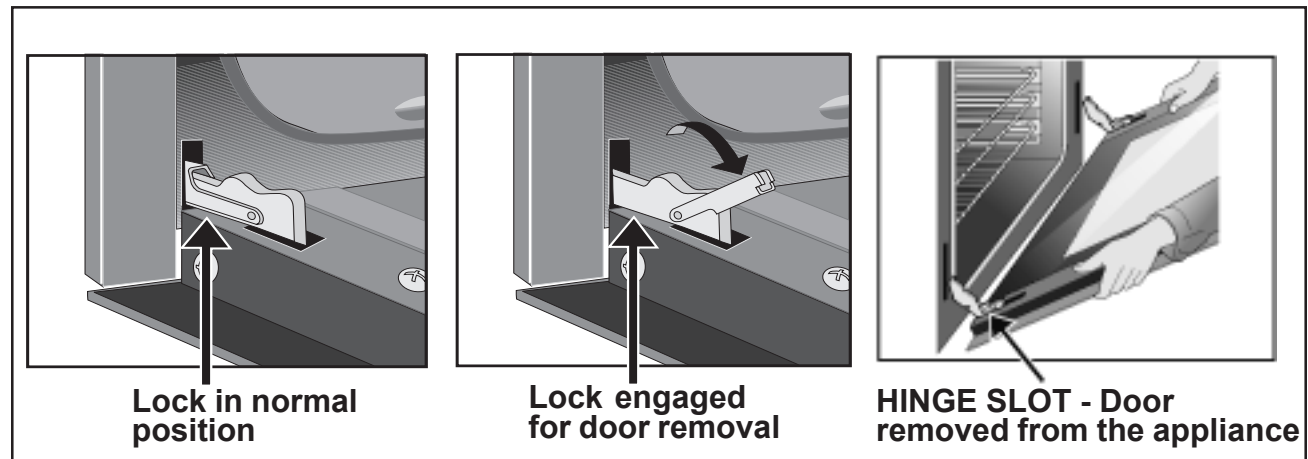
Temp. Celsius	Temp. Fahrenheit	Probe Resistance
25°C	77°F	49.478 Kohm +/- 7%
50°C	122°F	17.737 Kohm +/- 4.9%
80°C	176°F	6.107 Kohm +/- 3.3%
100°C	212°F	3.264 Kohm +/- 4.6%



## OVEN DOOR REMOVAL AND REPLACEMENT

### To Remove and Replace Oven Door

1. Open the door to the fully opened position.
2. Pull up the lock located on each hinge support toward front of range. You may have to apply a little upward pressure on the lock to pull it up.
3. Grasp the door by the sides, pull the bottom of the door up and toward you to disengage the hinge supports. Keep pulling the bottom of the door toward you while rotating the top of the door toward the appliance to completely disengage the hinge levers.
4. Proceed in reverse to re-install the door. Make sure the hinge supports are fully engaged before unlocking the door



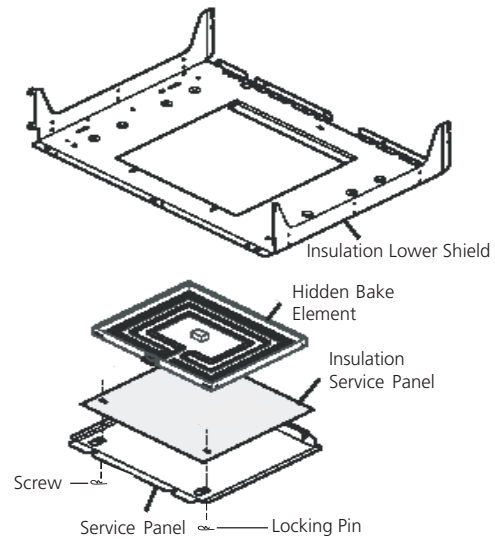
## TRUE HIDDEN BAKE ELEMENT REMOVAL - SINGLE AND DOUBLE WALL OVENS

Follow the steps below in order to replace the through hidden bake element on a single wall oven and the lower through hidden bake element of a double wall oven.

1. Remove the lower decorative trim (2 screws).
2. Using a pair of long nose pliers, remove the cutter pins and the screw which are holding the true hidden bake element service panel in place (under the oven liner).
3. Disconnect the two bake element wires.
4. Slide the true hidden bake service panel and element out of its operational emplacement.

The steps below are to follow in order to replace a double wall oven's upper true hidden bake element only.

5. Remove the center trim. You may use a flat screwdriver in order to pull the center trim out.
6. Remove the door lock assembly.
7. Follow the same steps as for the single wall oven (2-4 above).



## DOOR LOCK MECHANISM

The appliance is equipped with an electronic oven control and has an auto locking door latch feature. When the self clean cycle is programmed, the door is locked by a motor operated latch system. The interior of oven doesn't need to heat up to 500°F/260°C before the door locks. However, until the temperature inside oven reaches 500°F/260°C, the self-clean program can be canceled and door will unlock immediately. After oven reaches temperatures over 500°F/260°C, the door will not unlock until temperature drops below 500°F/260°C.

If a problem appears and the door stays locked it is possible for the **servicer** to unlock the door without removing the appliance from its place. Follow the steps below:

1. Trip the circuit breaker to **OFF** position.
2. Remove the 2 screws, which are fixing the oven door latch, located between the control panel and the oven door.
3. When the screws are removed it is possible to unlock the latch with a flat screwdriver, or one of the tools supplied with the wall oven which are used to take off the oven from the cabinet. Insert the tool tip through the slot on top of the oven door. During this step it's important to take care to not damage the appliance.
4. As soon as the latch is in the unlock position, you can open the door.

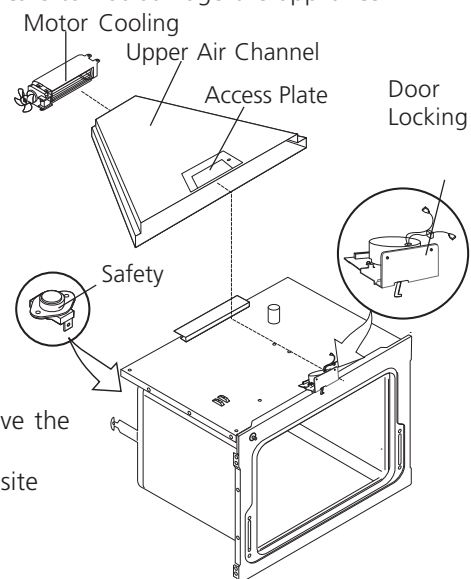
5. Replace the motor latch:

Upper Oven:

1. To have access to the door latch assembly, remove the 3 screws under the control panel which are fixing it.
2. Remove the electronic plate located on the access plate.
3. Remove the access plate located on the upper air channel by removing the screw.
4. Replace the motor latch with a new one and reassemble in opposite order and manner of removal.

Lower Oven:

1. Pull out the appliance approximately 4" from the cabinet.
2. Remove the 4 screws which are fixing the center trim and remove the center trim by pulling it from both extremities.
3. Replace the motor latch by a new one and reassemble in opposite order and manner of removal.



## OVEN LIGHT

This appliance is equipped with electronics that control the intensity of the oven lights. This is done with the Convection Fan and Oven Lights Control Board that modulates the AC voltage going to the 120V halogen lamps. When the light key is pressed or when the oven door is opened the display board communicates with the Convection Fan and Oven Lights Control Board to specify the required light intensity. The Convection Fan and Oven Lights Control Board also add a "theater-like" effect on the light: the light intensity is gradually ramp-up or ramp-down as the light is turned on or off.

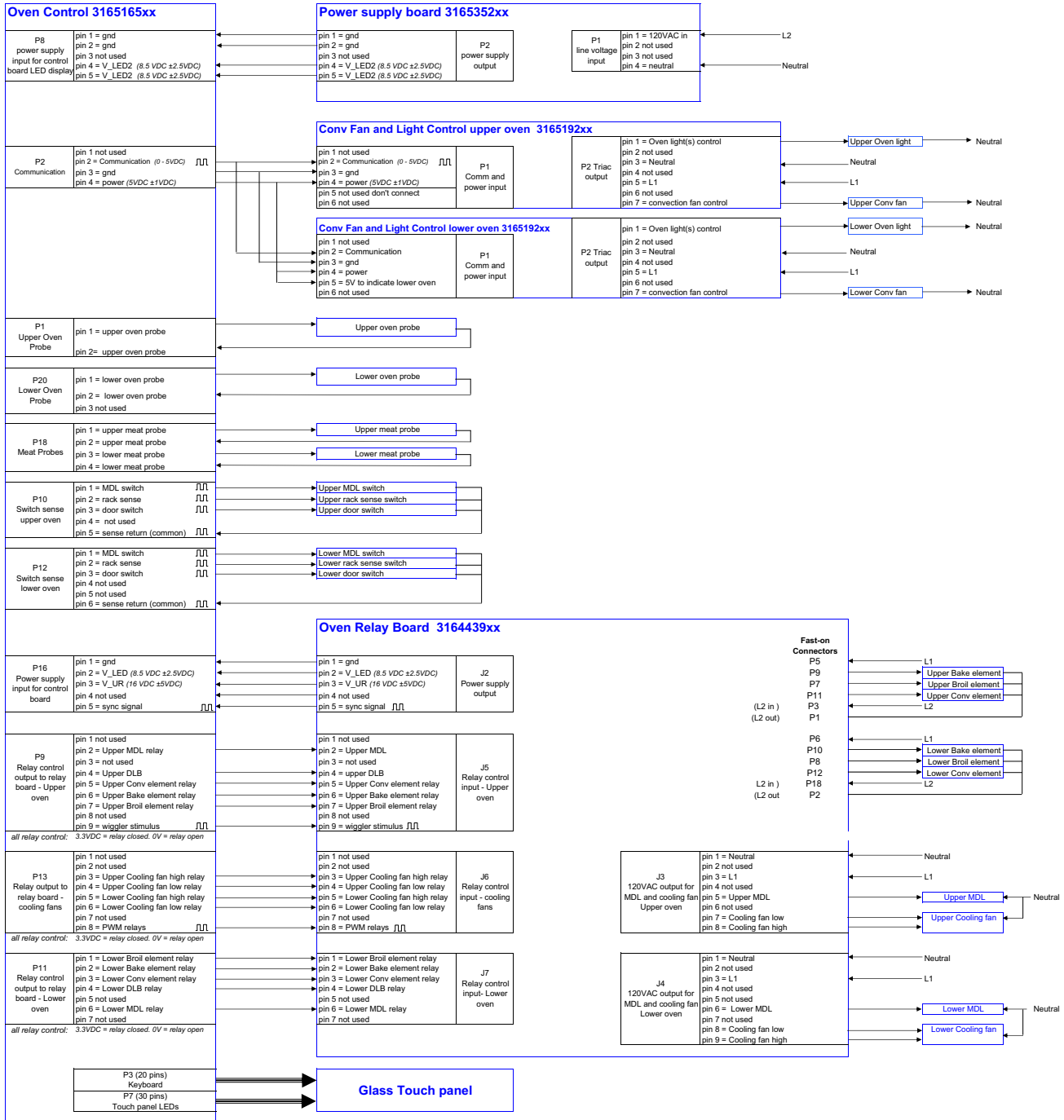
On a double wall oven there are two Convection Fan and Oven Lights Control Boards, one for each cavity. The upper and lower cavity lights will turn ON and OFF at the same time. That is, if the light key is pressed, the light of both ovens will turn ON.

If the oven lights do not operate, check the following:

- If you are getting an F23 or F24 error code it means the display board is not able to communicate with the Convection Fan and Oven Lights Control Board, thus the oven light will not operate. Check connections between the display board and the Convection Fan and Oven Lights Control Board. Refer to the fault code section for corrective actions.
- If the lights are always ON (even with the door closed), it could be because the control mistakenly thinks the door is opened. Verify door switch and its wiring.
- Check connections on the Convection Fan and Oven Lights Control Board. On connector P2: pin 3 should be Neutral, pin 5 should be L1 (120VAC) and pin 1 should go to the oven lights. The other terminal of the light should be connected to Neutral.
- Verify if light bulbs need to be replaced.
- If there is no error code, the wiring is good and still the oven lights are not working then replace the Convection Fan and Oven Lights Control Board.

# Block Diagram and System Interconnections

Double wall oven is illustrated. For single oven simply omit lower oven components and connections.



# HOJA DE SERVICIO

# 318047423 (0706) Rev. A

Horno de pared electrico con ES560 o ES560W1 control

## NOTICIA

Esta hoja de servicio esta dirigida a las personas con entrenamiento tecnico y a los que tienen un buen nivel de comprension en la reparaci3n de estos aparatos. **El fabricante no puede ser responsable de heridas o daos de alg3n tipo por el uso de esta hoja de informaci3n.**

## PRACTICAS DE SERVICIO SEGURAS

Para evitar heridas o daos a la propiedad, es importante de seguir estas practicas medidas. A continuaci3n, son ejemplos, pero sin limitaci3n, de estas medidas.

1. No trate de reparar el aparato a menos que crea poder hacerlo satisfactoriamente.
2. Antes de reparar o de desplazar el aparato, retire el cable del toma corriente, APAGUE el suministro de energa o retire los fusibles y apague el suministro de gas.
3. Nunca interfiera con la instalaci3n adecuada de un aparato.
4. UTILICE SOLAMENTE EL CATALOGO DE PIEZAS DESIGNADO PARA ESTE APARATO. EL SUBSTITUIRLAS PODRIA ESTAR EN DESACUERDO CON LAS MEDIDAS NECESARIAS PARA LOS APARATOS DE CASA.
5. PUESTA A TIERRA: los cables de seguridad a tierra son VERDES CON LINEAS AMARILLAS. Los cables de tierra no pueden ser utilizados como conductores. ES MUY IMPORTANTE QUE EL TECNICO ESTABLEZCA LA SEGURIDAD DE LA PUESTA TIERRA ANTES DE TERMINAR EL SERVICIO. EL NO HACERLO PUEDE CREAR MUCHO PELIGRO.
6. Antes de devolver el aparato al servicio, aseg3rese que:
  - Todas las conexiones electricas estan bien conectadas y aseguradas.
  - Todos los cables de tierra deben estar bien asegurados, lejos de elementos afilados, lejos de altas temperaturas y cualquier elemento movable.
  - Todos los cables no aislados, conectadores, calentadores, etc. deben estar lo suficientemente lejos de las partes met3licas y de los paneles.
  - Todos los cables de tierra (externos y internos) estan correctamente y bien ensamblados.
  - Todos los paneles estan bien y correctamente ensamblados.

## CONTROL DEL HORNO ELECTRICO

1. Este controlador de auto-limpieza ofrece horneado, asado, pre-calentamiento, horneado de conveccion y rostizado de convecci3n, horneado a retardo y cronometrado y funciones de limpieza. Este control de auto-limpieza ofrece los modos de Horneado, Asado, Horneado por Convecci3n, Rostizado por Convecci3n y Asado por Convecci3n; tambi3n las funciones de Deshidratar, Descongelar, Sonda/Term3metro para Carne, Pavo Perfecto (algunos modelos), Aprueba de Panes, Mantener Caliente y Auto-limpieza.
2. La convecci3n funciona con un elemento y con un ventilador designado para la convecci3n.
3. El control electr3nico del horno incluye un panel indicator, un tablero de relevadores, un panel electr3nico de convecci3n y luz.

NOTA: Estas ilustraciones son 3nicamente para hornos dobles de pared. Las ilustraciones para los hornos sencillos de pared pueden ser encontradas en la siguiente p3gina.



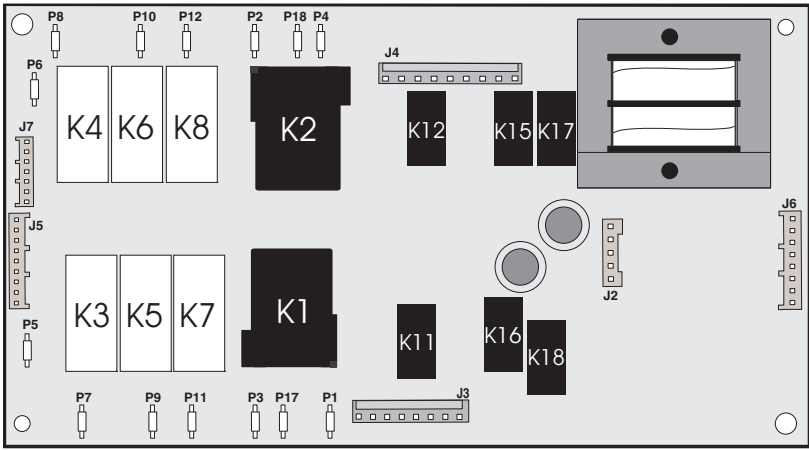
**NOTA:** Los control no son reparables. Solo los ajustes de temperaturas pueden ambiarse. Vea calibraci3n del horno.

# CONTROL DEL HORNO ELECTRICO (EOC)



**NOTA:** Los control no son reparables. Solo los ajustes de temperaturas pueden ambiarse. Vea calibración del horno.

# TABLERO DE RELEVADORES DEL HORNO DOBLE



## Legenda del Tablero de Relevadores:

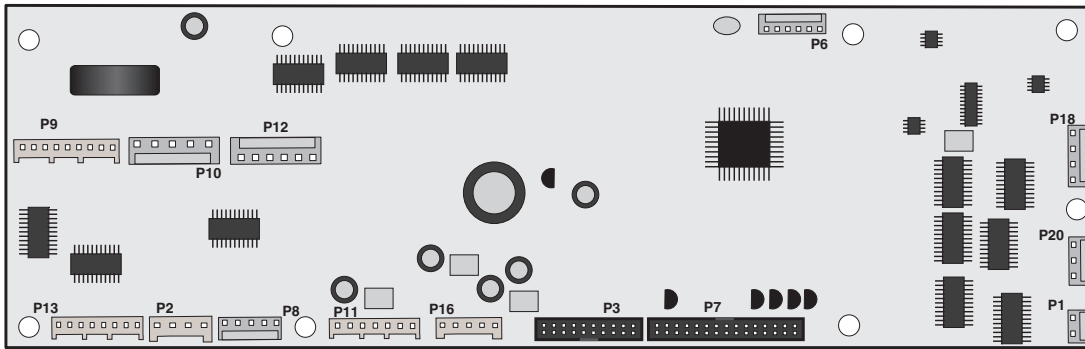
- K1- Doble Línea Interruptor – Horno Superior
- K2- Doble Línea Interruptor – Horno Inferior
- K3- Relevador de asado- Horno Superior
- K4- Relevador de asado- Horno Inferior
- K5- Relevador de Horneado - Horno Superior
- K6- Relevador de Horneado - Horno Inferior
- K7- Relevador del Elemento de Convección – Horno Superior
- K8- Relevador del Elemento de Convección – Horno Inferior
- K11- Motor del seguro-cerrojo de la puerta - Horno Superior
- K12- Motor del seguro-cerrojo de la puerta - Horno Inferior
- K15- Relevador del ventilador Baja Velocidad - Horno Inferior
- K16- Relevador del ventilador Baja Velocidad - Horno Superior
- K17- Relevador del ventilador Alta Velocidad - Horno Inferior
- K18- Relevador del ventilador Alta Velocidad - Horno Superior

*Este panel de relevadores sirve para proveer de energía los elementos de calentamiento tanto superiores como inferiores, motor de la puerta y ventilador de enfriado.*

- P1- L2 Salida, Horno Superior
- P2- L2 Salida, Horno Inferior
- P3- L2 Entrada, Horno Superior
- P4- No utilizado
- P5- L1, Horno Superior
- P6- L1, Horno Inferior
- P7- Asado, Horno Superior
- P8- Asado, Horno Inferior
- P9- Horneado, Horno Superior
- P10- Horneado, Horno Inferior
- P11- Elemento de Convección, Horno Superior
- P12- Elemento de Convección, Horno Inferior
- P17- No Utilizado
- P18- L2 Entrada, Horno Inferior

- J2- DC Salida de electricidad hacia el panel de control análogo
- J3- AC Salida de electricidad (motor de la puerta, ventilador de enfriado) del horno Superior
- J4- AC Salida de electricidad (motor de la puerta, ventilador de enfriado) para el horno Inferior y la entrada(L1, Neutral)
- J5- Relevador de Control de entradas (elementos para hornear y asar, motor de la puerta, DLB) para el horno Superior
- J6- Relevador de Control de entradas (ventilador de enfriado, elemento de convección) para ambos hornos.
- J7- Relevador de Control de entradas (elementos de horneado y asado, motor de la puerta, DLB) para el horno Inferior

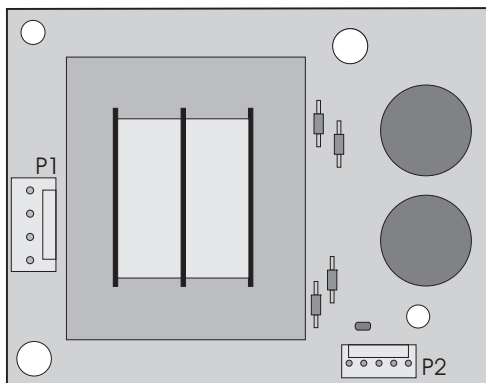
## PANEL INDICADOR ELECTRONICO DEL HORNO DOBLE



### Legenda del conectores:

- P1 - Entrada del Sensor de Temperatura (Horno Superior solamente)
- P2 - Comunicación con el Tablero del Ventilador de Convección y la Luz del Horno
- P3 - Teclado (panel sensor de tacto)
- P6 - Micro Programación (no se utiliza)
- P7 - LEDs del Teclado
- P8 - Entrada del suministro eléctrico para los LEDs del Teclado
- P9 - Salidas Relevador Control (elementos, motor de puerta, DLB) del Horno Superior
- P10 - Entrada a Interruptores (interruptor del motor del seguro de la puerta, de la puerta, y de las parrillas) para el Horno Superior
- P11 - Salidas Relevador Control (elementos, motor de puerta, DLB) del Horno Inferior
- P12 - Entrada a Interruptores (interruptor del motor del seguro de la puerta, de la puerta, y de las parrillas) para el Horno Inferior
- P13 - Salida del relevador para ventiladores de enfriado del horno Superior e Inferior
- P16 - Entrada del Suministro Eléctrico DC
- P18 - Entrada del termómetro de Carnes (Horno Inferior y Superior).
- P20 - Entrada del Sensor de Temperatura (Horno Inferior solamente)

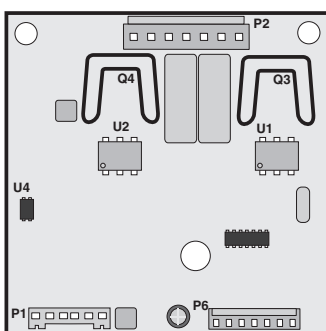
## PANEL ELECTRÓNICO DEL SUMINISTRO DE ENERGIA (AMBOS HORNOS)



*Este panel provee la corriente para la pantalla del control electrónico.*

- P1 - P1- Entrada de corriente AC (L2 y neutral)
- P2 - Salida de corriente DC

## TABLERO DEL VENTILADOR DE CONVECCIÓN Y DE LAS LUCES DEL HORNO

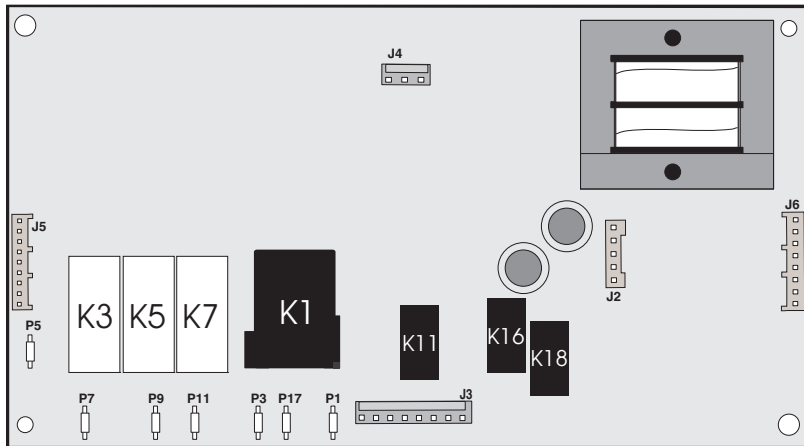


*Este tablero controla la salida de corriente al ventilador de convección y a las luces del horno.  
El horno doble de pared es equipado con 2 de estos tableros de convección variable. Uno para cada horno.*

- P1 - Comunicación con el Panel Indicador y entrada del suministro eléctrico
- P2 - Salida de la corriente AC para el ventilador de convección y las luces del horno, entradas de corriente (L1, Neutral)
- P3 - Micro Programación (no se utiliza)



## TABLERO DE RELEVADORES DEL HORNO SENCILLO



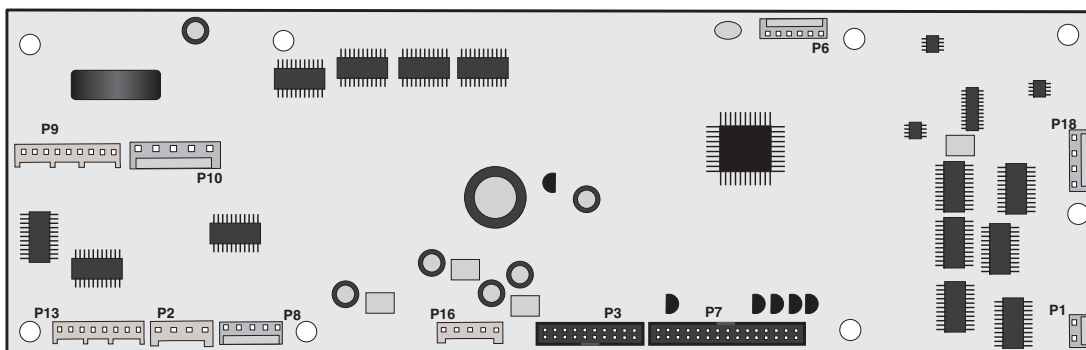
### Legenda del Tablero de Relevadores:

- K1- Doble Línea Interruptor
- K3- Relevador de asado
- K5- Relevador de Horneado
- K7- Relevador del Elemento de Convección
- K11- Motor del seguro-cerrojo de la puerta
- K16- Relevador del ventilador Baja Velocidad
- K18- Relevador del ventilador Alta Velocidad

*Este panel de relevadores sirve para proveer de energía los elementos de calentamiento, motor de la puerta y ventilador de enfriado.*

- |                             |   |
|-----------------------------|---|
| P1- L2 Salida               | J2- DC Salida de electricidad hacia el panel de control análogo                               |
| P3- L2 Entrada              | J3- AC Salida de electricidad (motor de la puerta, ventilador de enfriado)                    |
| P5- L1                      | J4- AC Entrada (L1, Neutral)  |
| P7- Asado                   | J5- Relevador de Control de entradas (elementos para hornear y asar, motor de la puerta, DLB) |
| P9- Horneado                | J6- Relevador de Control de entradas (ventilador de enfriado, elemento de convección)         |
| P11- Elemento de Convección |   |
| P17- No Utilizado           |   |

## PANEL INDICADOR ELECTRONICO DEL HORNO SENCILLO








- P1 - Entrada del Sensor de Temperatura
- P2 - Comunicación con el Tablero del Ventilador de Convección y la Luz del Horno
- P3 - Teclado (panel sensor de tacto)
- P6 - Micro Programación (no se utiliza)
- P7 - LEDs del Teclado
- P8 - Entrada del suministro eléctrico para los LEDs del Teclado
- P9 - Salidas Relevador Control (elementos, motor de puerta, DLB)
- P10 - Entrada a Interruptores (interruptor del motor del seguro de la puerta, de la puerta, y de las parrillas)
- P13 - Salida del relevador para el ventilador de enfriado
- P16 - Entrada del Suministro Eléctrico DC
- P18 - Entrada del termómetro de Carnes (Horno Inferior y Superior).

## MODO DE CONVECCION

El horno de convección utiliza un ventilador y un elemento para calentar para mover el aire que ya se encuentra en el horno. Mover el aire caliente ayuda a destratificar el calor y a distribuir el calor uniformemente. El aire es conducido a través de la cubierta del ventilador y del elemento localizado en la pared posterior del horno y descargado alrededor de los bordes externos de la cubierta. El aire circula alrededor del alimento y después entra en la cubierta otra vez. Como en las estufas eléctricas convencionales, hay una ventilación de horno que descarga el aire a través de la parte posterior de la cubierta. Durante el precalentado de los modos de cocción sin convección, el ventilador de convección girará hasta que el horno haya llegado a la temperatura definida.

Para fijar el control en modo de la convección, siga estos pasos:

1. En un horno doble de pared: Seleccione el horno presionando **HORNO DE ARRIBA** UPPER OVEN u **HORNO DE ABAJO** LOWER OVEN.
2. Presione **HORNEADO POR CONVECCIÓN**  o **ROSTIZADO POR CONVECCIÓN**  o **ASADO POR CONVECCIÓN** .
3. Presione **START** . El horno comenzará automáticamente y el ventilador empezará a rotar.
4. Presione **ANULAR**  para parar o cancelar la función de Convección en cualquier momento.

**NOTA:** El ventilador funciona continuamente mientras que está en modo de convección. El ventilador parará si se abre la puerta mientras que funcione el modo de convección baking/roasting/broiling. El elemento de convección parará el funcionar si se abre la puerta. La velocidad del ventilador de convección variará dependiendo de la función de cocción usada. Rostizado por convección utiliza una velocidad rápida, mientras que horneado por convección utiliza un velocidad más lenta.

## MOTOR DEL VENTILADOR DE CONVECCIÓN

El motor del ventilador de 120 voltios está situado en el exterior de la parte posterior del horno.

El motor del ventilador rota continuamente durante los modos de convección a menos que la puerta sea abierta.

Es normal observar un cambio de velocidad dependiendo de la función de cocción usada. Este electrodoméstico utiliza la velocidad del ventilador óptima para cada función de convección.

El tablero del ventilador de convección y de las luces del horno es quien modula la velocidad del ventilador de convección. Utiliza la información de la velocidad comunicada por el panel indicador.

En un horno doble de pared hay dos tableros del ventilador de convección y las luces del horno, uno para cada horno.

Si el ventilador no funciona, verificar lo siguiente:

- La pantalla del horno indica cuando el ventilador debe de estar encendido: Aspas del ventilador girando en la pantalla indica que el ventilador debe de estar girando. Si las aspas no aparecen girando significa que el ventilador de convección no está siendo usado a propósito.
- Verifique la operación correcta del interruptor de la puerta. Si el control piensa que la puerta está abierta, el ventilador de convección no girará. Si la luz del horno prende cuando se abre la puerta y se apaga cuando ésta se cierra, entonces es buena indicación que el interruptor funciona.
- Si aparece un código de error F23 o F24, significa que el panel indicador electrónico no está comunicándose con el tablero del ventilador de convección y de las luces del horno, por lo tanto el ventilador no funcionará. Verifique las conexiones entre el panel indicador y el tablero del ventilador de convección y de las luces del horno. Referir a la sección de códigos de error para acciones correctivas.
- Verificar las conexiones en el tablero del ventilador de convección y de las luces del horno. En el conector P2: pin 3 debe de ser Neutral, pin 5 debe de ser L1 (120VAC) y el pin 7 debe de ir al motor del ventilador de convección. La otra terminal del motor del ventilador de convección debe de estar conectada a Neutral.
- La resistencia de la bobina del motor del ventilador debe de ser 15.0ohms +/-10%
- Cuando el ventilador esta encendido se debe de observar entre 20 y 120 VAC en el motor, dependiendo de la velocidad.
- Si no se produce un código de error, el cableado es correcto y el motor es bueno; entonces reemplace el tablero del ventilador de convección y de las luces del horno.

## CALIBRACION DEL HORNO

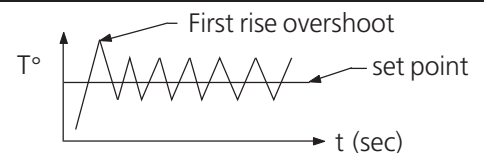
Ajuste el control electrónico del horno para un horneado normal a 350 °F. Obtenga un promedio de temperatura después de 5 ciclos.

La calibración del horno puede ser modificada usando el indicador del control. Refiérase al Manual del Usuario.

**Nota:** Cambiar la calibración afectará a todas las funciones de cocción pero no a la función de limpieza y asado.

## CALENTAMIENTO INICIAL

Es normal ver que la temperatura excede la norma durante el calentamiento inicial en durante cualquier función cuando usted monitoree la temperatura.



## CODIGOS DE ERROR DEL CONTROL

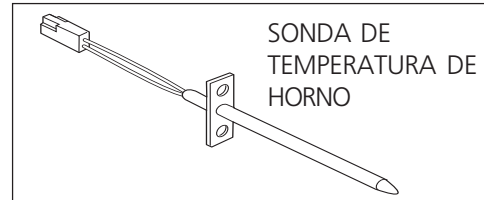
### DESCRIPCION DE LOS CODIGOS DE ERROR (EOC) DEL CONTROL

**Nota:** Generalmente hablando "F1X" implica una falla del control. "F3X" un problema de la sonda, y "F9X" un problema del seguro de la puerta.

Código de error/Condición/Causa	Sugerencia para corregir
<b>F10</b> El control del horno detectó una condición de escape posible. El control presenta un relevador en corto circuito, (RTD) mal funcionamiento de la sonda.	- Verifique el sensor RTD y replácelo si es necesario. Si el horno se esta sobrecalentando, desconéctelo. Si el horno continúa a sobrecalentarse, reemplace el panel de relevadores o el panel indicador.
<b>F11</b> Teclas en cortocircuito: si se detectó una tecla presionada durante un largo período de tiempo se le considerara como en cortocircuito. El control generara una alarma y terminara toda actividad del horno.	- Presione la tecla Cancel. - Si el problema persiste, reemplace el control (el panel de vidrio). - Si el problema persiste, reemplace el panel del indicador.
<b>F13</b> La memoria interna del control se corrompió.	- Pulse la tecla Cancel. - Desconecte el suministro eléctrico, espere 30 segundos y conecte el suministro. Si la falla se repite reemplace el panel del indicador.
<b>F14</b> Cable del teclado mal conectado	- Verifique la conexión entre el panel indicador y el panel del teclado (2 cables cinta). Asegúrese que los cables estén bien conectados en los dos lados. - Si los cables están bien conectados, reemplace el panel del teclado. - Si el problema persiste, reemplace el panel del indicador.
<b>F15</b> La auto verificación del control falló	- Reemplace el panel del indicador.
<b>F23</b> El control falló al intentar comunicarse con el (superior) tablero del ventilador de convección y de las luces del horno.	- Verifique el cableado entre P2 en el panel indicador y P2 en el tablero del ventilador de convección y de las luces del horno. - Si el cableado es bueno, reemplazar el tablero del ventilador de convección y de las luces del horno. - Si el problema persiste, reemplace el panel del indicador.
<b>F24</b> El control falló al intentar comunicarse con el tablero del ventilador de convección y de las luces del horno inferior. (En un horno doble)	- Verifique el cableado entre P2 en el panel indicador y P2 en el tablero del ventilador de convección y de las luces del horno. - Si el cableado es bueno, reemplazar el tablero del ventilador de convección y de las luces del horno. - Si el problema persiste, reemplace el panel del indicador.
<b>F25</b> No se ha detectado la señal del cruce de cero en el tablero del ventilador de convección y de las luces del horno superior o inferior.	- Asegúrese que L1 y Neutral están conectados al tablero del ventilador de convección y de las luces del horno en el conector P2 (P2 pin 3=Neutral/ P2 pin 5=L1). - Si el problema persiste, reemplazar el tablero del ventilador de convección y de las luces del horno superior y/o inferior.
<b>F26</b> No se ha detectado la señal de selección del horno en el tablero del ventilador de convección y de las luces del horno inferior. (Solamente con horno doble de pared)	- El tablero del ventilador de convección y de las luces del horno inferior debe de recibir 5V en el pin 5 del conector P1. Este voltaje llega desde el panel indicador (conector P2 pin 4), verifique el cableado. - Si el problema persiste, reemplazar el tablero del ventilador de convección y de las luces del horno.
<b>F30</b> Sensor de RTD abierto o problema de alambrado. Nota: EOC puede mostrar inicialmente un "F10", pensando que una situación de escape existe.	- Verifique si el alambrado de la sonda para verificar que no exista un corto circuito.
<b>F31</b> Corto circuito en la sonda/problema de alambrado	- Verifique la resistencia de RTD a la temperatura de la pieza (compárela con la tabla de resistencias). Si la resistencia no es igual a la de la tabla, reemplace el sensor de la sonda RTD.
<b>NOTA:</b> F30 o F31 es mostrado cuando el horno esta activo o cuando se intenta entrar a algún modo activo.	- Deje enfriar el horno y vuelva a empezar la función. - Si el problema persiste substituya el panel análogo del control.
<b>F90</b> Falla del mecanismo del moto de la puerta.	- Presione cualquier tecla para borrar el error. - Si aun así el problema no desaparece, desconecte el suministro eléctrico por 30 segundos y luego vuelva a conectarlo. - Verifique el alambrado del motor e interruptor del seguro así como los interruptores de la puerta. - Desconecte el motor del panel y conecte el suministro eléctrico (L1) directamente al motor. Si el motor no rota, reemplace el ensamble del motor. - Verifique si los Interruptores de cierre-seguro funcionan. (¿Abren y cierran? Verifique con un ohmmetro) - El motor puede ser utilizado como anteriormente para abrir y cerrar los Interruptores. Si estos no funcionan, reemplace el ensamble del motor. - Si todas estas sugerencias no corrigen la situación, reemplace el panel de control análogo o el panel de relevadores si el motor no puede rotar. - Si todas estas sugerencias no corrigen la situación, reemplace el panel del indicador si el motor no para de rotar.

RTD SCALE		
Temp. °F	Temp. °C	Resistencia (ohms)
32 ± 1.9	0.0 ± 1.1	1000 ± 4.0
75 ± 2.5	23.9 ± 1.4	1091 ± 5.3
250 ± 4.4	121.1 ± 2.4	1453 ± 8.9
350 ± 5.4	176.7 ± 3.0	1654 ± 10.8
450 ± 6.9	232.2 ± 3.8	1852 ± 13.5
550 ± 8.2	287.8 ± 4.6	2047 ± 15.8
650 ± 9.6	343.3 ± 5.3	2237 ± 18.5
900 ± 13.6	482.2 ± 7.6	2697 ± 24.4

CALIBRACIÓN ELÉCTRICA			
KW Calibración 240/208 V	Vea placa de serie	Vatio de elemento para hornear	2200W / 1653W
Vatio de elemento para asar	Horno de Pared 27": 3400W / 2554W Horno de Pared 30": 4000W / 3004W	Vatio de elemento de convección	2500W/1879W



### MATRIZ DE ANALISIS DE CIRCUITOS PARA HORNO DE PARED SENCILLO, HORNO SUPERIOR EN HORNO DOBLE

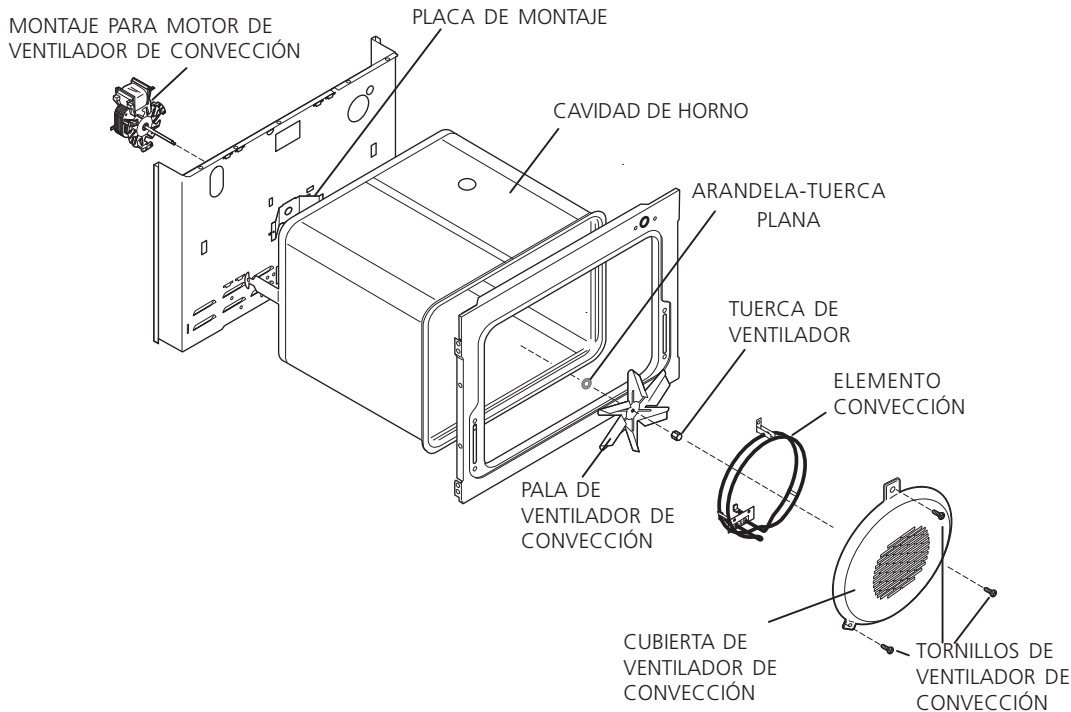
	En el Panel de Relevadores ELEMENTOS				En el tablero del ventilador de convección y de las luces del horno		En el panel indicador Interruptor de la puerta P8-3 / P8-5	En el Panel de Relevadores		
	Hornear P9	Asar P7	Conv. P13	Motor Puerta J3-5	Luz P2-1	Vent. Conv. P2-7		DLB L2 out P1	Vent. Baja Velocidad J3-7	Vent. Alta Velocidad J3-8
Bake	X	X	X*			X*		X	X	
Keep Warm	X							X	X	
Broil		X						X		X
Conv. Bake	X	X	X			X		X	X	
Conv. Roast	X	X	X			X		X	X	
Conv. Broil		X	X			X		X	X	
Clean	X	X						X	X	X
Locking				X						
Locked										
Unlocking				X						
Unlocked										
Light					X					
Door Open					X					
Door Closed							X			

### MATRIZ DE ANALISIS DE CIRCUITO PARA EL HORNO INFERIOR DE UN HORNO DOBLE

	En el Panel de Relevadores ELEMENTOS				En el tablero del ventilador de convección y de las luces del horno		En el panel indicador Interruptor de la puerta P10-3 / P10-6	En el Panel de Relevadores		
	Hornear P10	Asar P8	Conv. P16	Motor Puerta J4-6	Luz P2-1	Vent. Conv. P2-7		DLB L2 out P2	Vent. Baja Velocidad J4-8	Vent. Alta Velocidad J4-9
Bake	X	X	X*			X*		X	X	
Keep Warm	X							X	X	
Broil		X						X		X
Conv. Bake	X	X	X			X		X	X	
Conv. Roast	X	X	X			X		X	X	
Conv. Broil		X	X			X		X	X	
Clean		X						X	X	X
Locking				X						
Locked										
Unlocking				X						
Unlocked										
Light					X					
Door Open					X					
Door Closed							X			

El relevador operará solamente en esta condición. \* El elemento de convección y ventilador son usados para el calentamiento inicial.

## VISTA DETALLADA DEL SISTEMA DE CONVECCION



## ASPAS DEL VENTILADOR

El aspa del ventilador está montada en la parte trasera de la unidad y tiene un orificio forma de "D". Solamente existe un pequeño espacio entre la parte posterior del horno, el aspa del ventilador y la cubierta del ventilador del horno. Tenga mucho cuidado de no doblar las aspas cuando las retire o las instale.

Se tiene acceso al aspa del ventilador retirando la cubierta de este por adentro del horno. La cubierta del ventilador está fijada con 3 tornillos.

El aspa del ventilador está fijada con una tuerca hexagonal con enrosques **hacia la izquierda**. Cuando quite esta tuerca, sostenga delicadamente el aspa del ventilador y gire la tuerca en la dirección de las agujas de un reloj. Si unas de estas aspas se deforman, se pueden doblar para que retome su forma original, doble sobre una superficie plana.

Una arandela-tuerca plana está situada en el eje del motor entre el anillo sujetador y la aspa del ventilador.

**NOTA:** Si el aspa del ventilador está doblada y las vibraciones del motor aumentan, el ventilador producirá más ruido.

## PLACA DE MONTAJE DEL HORNO

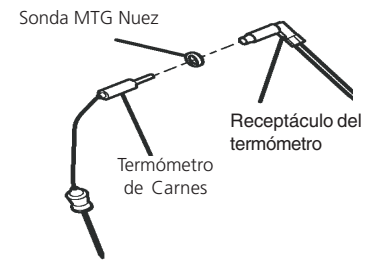
El motor del ventilador localizado detrás del aparato, está ajustado a la parte trasera (con tres tornillos). Hay una placa de montaje sostenida en su lugar entre la parte trasera (con dos tornillos) y la pared trasera del horno (con dos tornillos). Si es necesario reemplazar la cavidad del horno, tiene que retirar los 2 tornillos situados dentro del aparato detrás de la cavidad del horno.

## MOTOR DEL VENTILADOR

El motor del ventilador de 120 voltios está situado en el exterior de la parte posterior del horno. El ventilador tiene 2 opciones de la velocidad, que son reguladas por el control del horno. El modo de alta velocidad se utiliza dentro los ciclos de auto-limpieza cuando la temperatura excede los 575°F. Esta velocidad también se utiliza durante la función del asado. El ventilador puede permanecer en esta velocidad después de que una función de asar fue cancelada para permitir un mejor proceso de enfriado del horno. En los hornos dobles de pared, el ventilador en ambos hornos comenzará a funcionar al momento que uno del horno funcione bajo un ciclo de auto-limpieza.

## TERMÓMETRO DE CARNES RESISTANCÍA

Termómetro de Carnes VS Resistencia Tablero		
Temp. Celsius	Temp. Fahrenheit	Resistencia
25°C	77°F	49.478 Kohm +/- 7%
50°C	122°F	17.737 Kohm +/- 4.9%
80°C	176°F	6.107 Kohm +/- 3.3%
100°C	212°F	3.264 Kohm +/- 4.6%



## PARA QUITAR Y REINSTALAR LA PUERTA DEL HORNO

1. Abra la puerta del horno por completo.
2. Levante el seguro de cada bisagra, puede ser que tenga que presionar un poco para levantarlo.
3. Tome la puerta por los lados, jale el fondo de la puerta hacia arriba y al frente para sacar los soportes de la bisagra. Siga jalando hacia usted la puerta rotándola al mismo tiempo hacia la estufa para sacar por completo la bisagra.
4. Para reinstalarla de nuevo proceda a la inversa. Asegúrese que los soportes de la bisagra estén completamente dentro antes de desactivar el seguro de la bisagra.



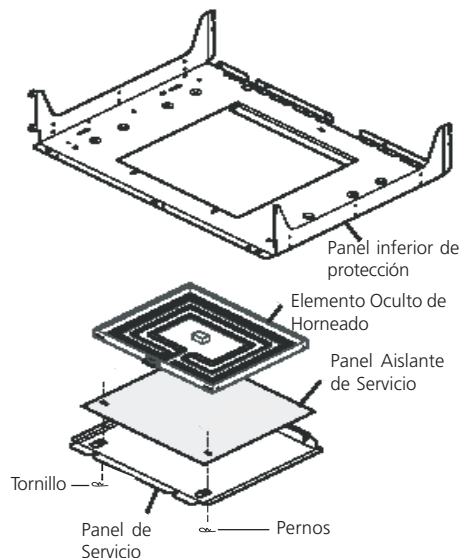
## PARA RETIRAR EL ELEMENTO OCULTO "TRUE HIDDEN BAKE"- HORNO DOBLES Y SENCILLOS DE PARED

Siga los pasos siguientes para sustituir el elemento oculto en un horno sencillo de pared y el elemento oculto directo un horno doble de la pared.

1. Retire la moldura decorativa inferior (2 tornillos)
2. Con un par de alicates largos, quite la perno y la tornillo que están sosteniendo el panel de servicio en su lugar (debajo de la cubierta del horno).
3. Desconecte los dos alambres del elemento de horneado.
4. Deslice el panel de servicio del elemento oculto y el elemento de su lugar operacional.

Los siguientes pasos son para sustituir el elemento oculto superior de horneado de un horno de pared doble.

5. Remueva la moldura central. Usted puede utilizar un desarmador plano para jalar hacia fuera la moldura.
6. Retire el ensamble del cerrojo de la puerta.
7. Siga los mismos pasos que para un horno sencillo (instrucciones 2-4).



## MECANISMO DE CIERRE DE PUERTA

Esta unidad esta equipa con un control electrónico del horno y tiene una característica de cierre automático de la puerta. Cuando se programa el ciclo de auto-limpieza, la puerta es trabada-asegurada por un sistema cierre operado por un motor. El interior del horno no necesita calentarse hasta 500°F/260°C antes de que se cierre la puerta. Sin embargo, hasta que la temperatura dentro del horno alcance 500°F/ 260°C, el programa de auto-limpieza puede ser cancelado y la puerta abrirá inmediatamente.

Si surge algún problema y la puerta permanece trabada-asegurada, es posible que le técnico de servicio la abra sin remover el electrodoméstico de su lugar siguiendo las siguientes instrucciones:

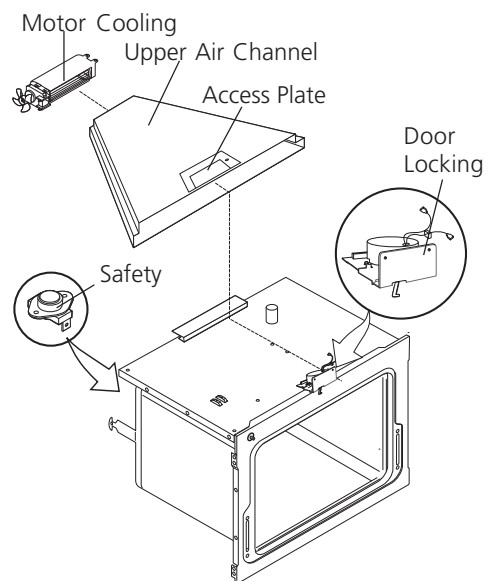
1. Ponga el interruptor en posición de apagado OFF
2. Quite los 2 tornillos, que están fijando el seguro-cerrojo de la puerta del horno, situados entre el panel de control y la puerta del horno.
3. Cuando se hayan retirado los tornillos es posible abrir el seguro-cerrojo con un destornillador plano, o una de las herramientas provistas con horno de pared que se utilizan para sacar el horno del gabinete. Inserte la extremidad de la herramienta a través de la ranura encima de la puerta del horno. Durante este paso es importante ser cuidadoso para no dañar el electrodoméstico.
4. Tan pronto cuando el seguro-cerrojo esté en la posición del abierta, usted podrá abrir la puerta.
5. Sustituya el motor:

### Horno Superior:

1. Para tener acceso al ensamble del motor, quite los 3 tornillos debajo del panel de control que lo están fijando.
2. Quite la placa electrónica situada en la placa del acceso.
3. Quite la placa del acceso situada en el canal superior del aire quitando el tornillo.
4. Sustituya el motor por un nuevo y vuélvalo a montar en orden y la manera opuestas a las instrucciones para removerlo.

### Horno Inferior:

1. Jale el electrodoméstico aproximadamente a 4" del gabinete.
2. Quite los 4 tornillos que están fijando la moldura central y quite la moldura central tirando de ambas extremidades.
3. Sustituya el motor por un nuevo y vuélvalo a montar en orden y la manera opuestas a las instrucciones para removerlo.





## LUZ DEL HORNO

Este electrodoméstico está equipado con circuitos electrónicos que controlan la intensidad de las luces del horno. Esto se hace con el tablero del ventilador de convección y de las luces del horno que modula el voltaje AC entrando a las lámparas de halógeno de 120V. Cuando la tecla de luz es presionada o cuando la puerta es abierta, el panel indicador se comunica con el tablero del ventilador de convección y de las luces del horno para especificar la intensidad de luz requerida. El tablero del ventilador de convección y de las luces del horno también agrega un efecto "Teatro" con la luz: la intensidad de la luz va aumentando o disminuyendo gradualmente cuando ésta se prende o se apaga.

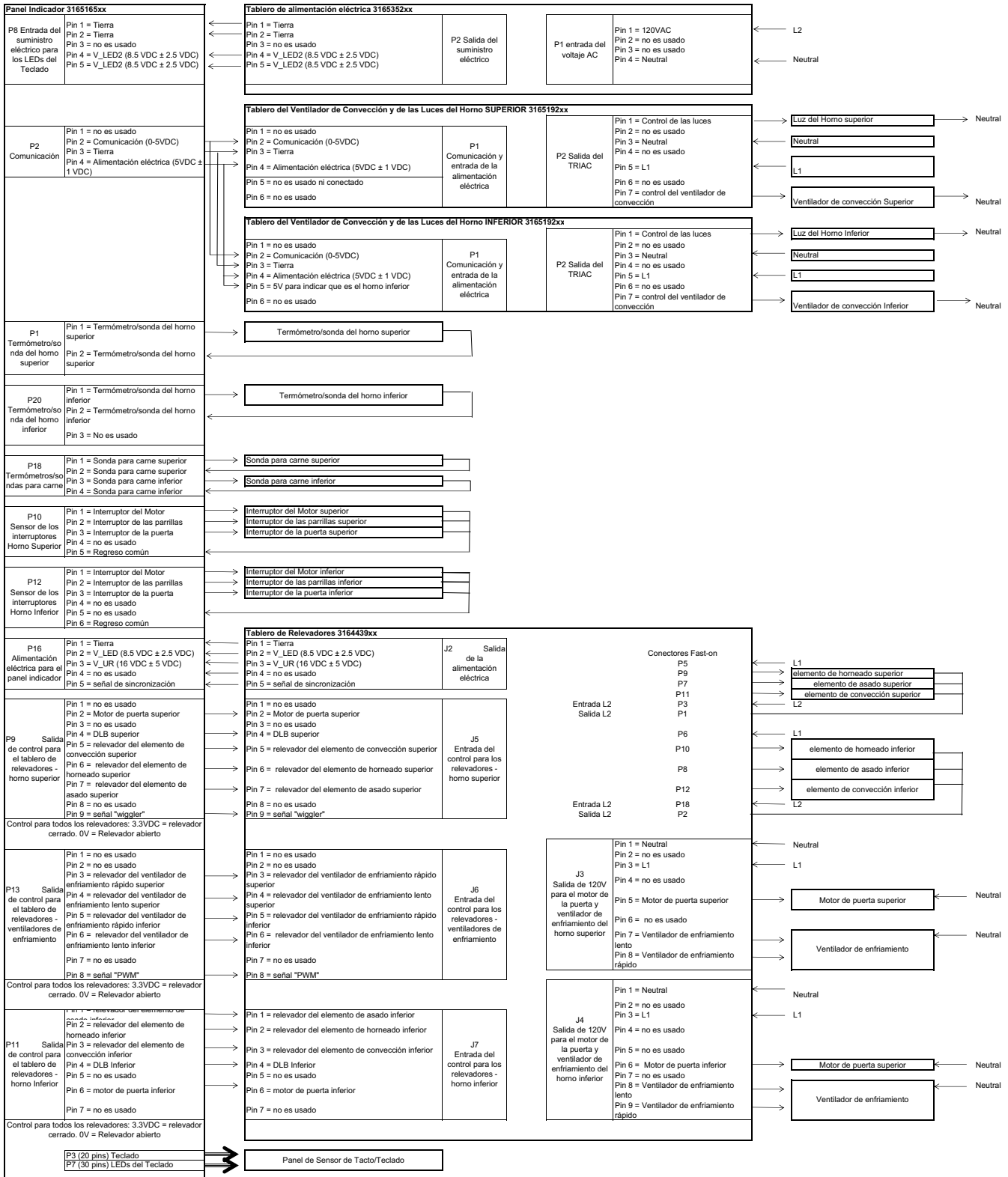
En un horno doble de pared hay dos tableros del ventilador de convección y de las luces del horno, uno para cada horno. Las luces del horno superior e inferior se prenden y apagan al mismo tiempo. Esto es, si la tecla de luz del horno es presionada, la luz de los dos hornos se prendera.

Si las luces del horno no funcionan, verifique lo siguiente:

- Si se obtiene un error F23 o F24, significa que el panel indicador no se puede comunicar con el tablero del ventilador de convección y de las luces del horno, por lo tanto las luces no funcionaran. Verifique las conexiones entre el panel indicador y el tablero del ventilador de convección y de las luces del horno. Referir a la sección de códigos de error para acciones correctivas.
- Si las luces siempre se encuentran encendidas a intensidad media (incluso con la puerta cerrada), podría ser porque el control equivocadamente cree que la puerta está abierta. Verifique el interruptor de la puerta y el cableado del mismo.
- Verifique las conexiones en el tablero del ventilador de convección y de las luces del horno. En el conector P2: pin 3 debe de ser Neutral, pin 5 debe de ser L1 (120VAC) y el pin 1 debe de ir a las luces del horno. La otra terminal de las luces del horno debe de ir a Neutral.
- Verifique si la bombilla tiene que ser reemplazada.
- Si no se produce ningún error, el cableado es correcto y las luces continúan sin funcionar, entonces reemplace el tablero del ventilador de convección y de las luces del horno.

**Diagrama de bloques y interconexiones del sistema**

Se muestra el diagrama para el horno doble de pared. Para el horno sencillo simplemente omitir la parte del horno inferior y sus conexiones.

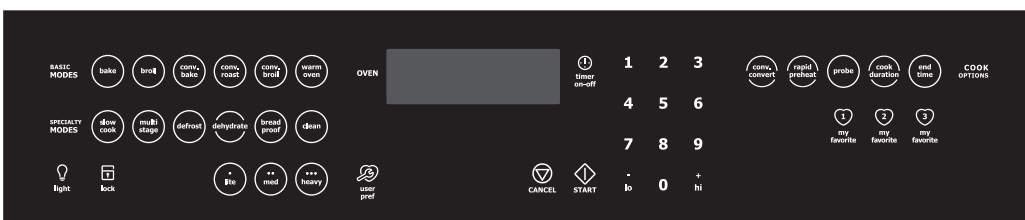
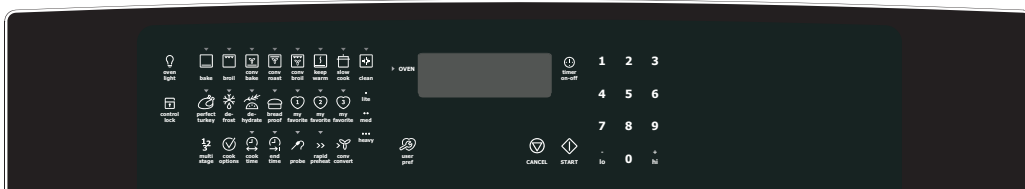




## COMMANDE ÉLECTRONIQUE DE FOUR (FOUR SIMPLE)

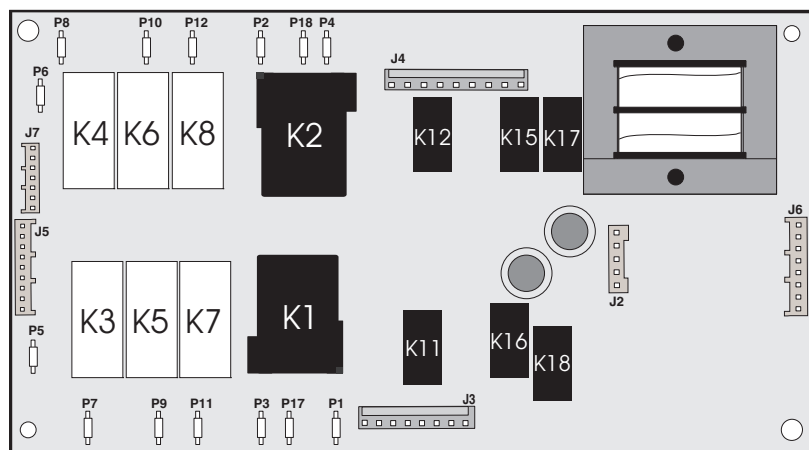
1. Cette commande de four convection offre les fonctions suivantes: Cuisson, Griller, Cuisson par Convection, Rôtissage par Convection, Grillage par Convection, Déshydrater, Décongeler, Sonde de Température, Volaille Parfaite, Pâte de Pain, Garder Chaud et Auto-Nettoyant.
2. Le mode convection fonctionne avec un ventilateur et un élément qui lui sont propre.
3. Cette commande de four est équipée d'un panneau relais, d'un panneau d'affichage, d'un panneau d'alimentation électrique et d'un panneau pour le ventilateur de convection et les lumières.

**NOTE:** Ces illustrations sont seulement pour les fours simples. Les illustrations des fours simples se trouvent sur la page précédente.



**NOTE:** Cette commande de four n'est pas réparable sur place. Seulement des réglages de température peuvent être faits. Voir étalonnage du four.

## PANNEAU DE RELAIS DES FOURS ENCASTRÉS DOUBLES



Ce panneau de relais sert à alimenter les éléments des fours supérieur et inférieur, les moteurs verrou et les ventilateurs de refroidissement.

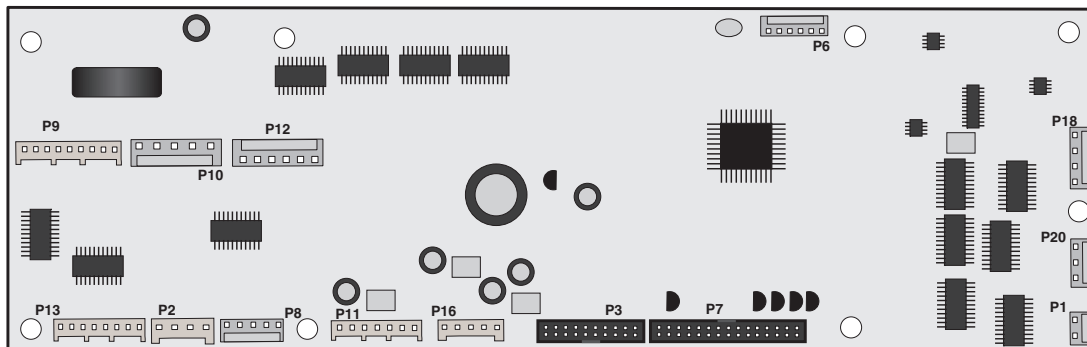
### Légende du panneau de relais:

- K1. Relais DLB - Four supérieur
- K2. Relais DLB - Four inférieur
- K3. Relais élément gril - Four sup.
- K4. Relais élément gril - Four inf.
- K5. Relais élément cuisson - Four sup.
- K6. Relais élément cuisson - Four inf.
- K7. Relais élément conv. - Four sup.
- K8. Relais élément conv. - Four inf.
- K11. Relais moteur verrou - Four sup.
- K12. Relais moteur verrou - Four inf.
- K15. Relais basse vitesse du ventilateur de refroidissement - Four inf.
- K16. Relais basse vitesse du ventilateur de refroidissement - Four sup.
- K17. Relais haute vitesse du ventilateur de refroidissement - Four inf.
- K18. Relais haute vitesse du ventilateur de refroidissement - Four sup.

- P1 - Sortie L2, Four supérieur
- P2 - Sortie L2, Four inférieur
- P3 - Entrée L2, Four supérieur
- P4 - Pas utilisé
- P5 - L1, Four supérieur
- P6 - L1, Four inférieur
- P7 - Gril, Four supérieur
- P8 - Gril, Four inférieur
- P9 - Cuisson, Four supérieur
- P10 - Cuisson, Four inférieur
- P11 - Élément convection, Four supérieur
- P12 - Élément convection, Four inférieur
- P17 - Pas utilisé
- P18 - Entrée L2, Four inférieur

- J2 - Sortie d'alimentation DC au panneau d'affichage.
- J3 - Sortie d'alimentation AC (moteur verrou, ventilateur de refroidissement) pour le four supérieur.
- J4 - Sortie d'alimentation AC (moteur verrou, ventilateur de refroidissement) pour le four supérieur et Entrée de puissance (L1, neutre).
- J5 - Entrée contrôle des relais (Éléments cuisson et gril, moteur verrou, DLB) pour le four supérieur.
- J6 - Entrée contrôle des relais (ventilateurs de refroidissement, éléments convection) pour les 2 fours.
- J7 - Entrée contrôle des relais (Éléments cuisson et gril, moteur verrou, DLB) pour le four inférieur

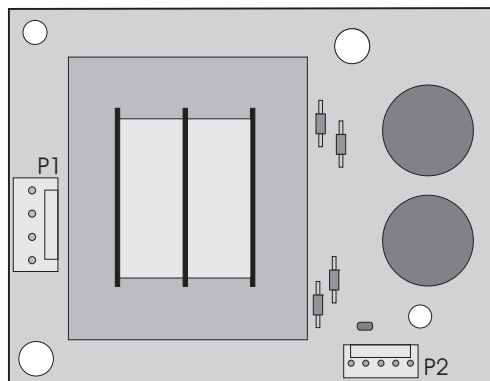
## PANNEAU D'AFFICHAGE DES FOURS ENCASTRÉS DOUBLES



### Légende du panneau d'affichage:

- P1 - Entrée de la sonde pour le four supérieur
- P2 - Communication avec le panneau pour le ventilateur de convection et les lumières
- P3 - Clavier (membrane tactile)
- P6 - Microprogrammation (pas utilisé)
- P7 - DELs de la membrane tactile
- P8 - Entrée de puissance de la membrane tactile
- P9 - Sortie contrôle des relais (éléments cuisson, gril et convection, moteur verrou, DLB) pour le four supérieur.
- P10 - Entrée des interrupteurs (moteur verrou, porte, grilles) pour le four supérieur.
- P11 - Sortie contrôle des relais (éléments cuisson, gril et convection, moteur verrou, DLB) pour le four inférieur.
- P12 - Entrée des interrupteurs (moteur verrou, porte, grilles) pour le four inférieur.
- P13 - Sortie contrôle des relais (ventilateur de refroidissement) pour les 2 fours.
- P16 - Entrée de puissance DC
- P18 - Entrée des sondes pour la viande pour les 2 fours.
- P20 - Entrée de la sonde pour le four inférieur

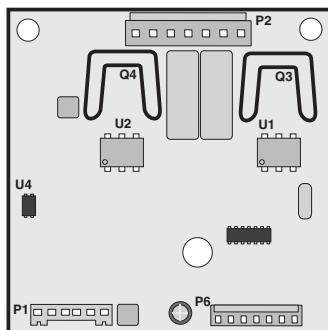
## PANNEAU D'ALIMENTATION ÉLECTRIQUE POUR LES FOURS SIMPLES ET DOUBLES



Ce panneau fournit l'alimentation au panneau d'affichage.

- P1 - Entrée de puissance AC (L2 et Neutre)
- P2 - Sortie de puissance DC

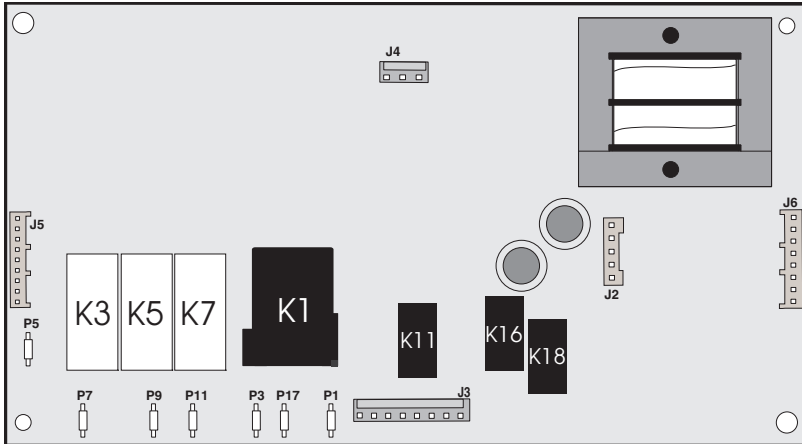
## PANNEAU DE CONTRÔLE DU VENTILATEUR CONVECTION ET DES LUMIÈRES



Ce panneau contrôle la sortie de puissance pour le ventilateur de convection et pour les lumières. Le four encastré double est équipé de 2 de ces panneaux, un pour chaque four.

- P1 - Communication avec le panneau d'affichage et entrée de puissance.
- P2 - Sortie de puissance AC pour le ventilateur de convection et les lumières, entrées de puissance (L1, neutre)
- P3 - Microprogrammation (pas utilisé)

## PANNEAU DE RELAIS DU FOUR ENCASTRÉ SIMPLE



### Légende du panneau de relais:

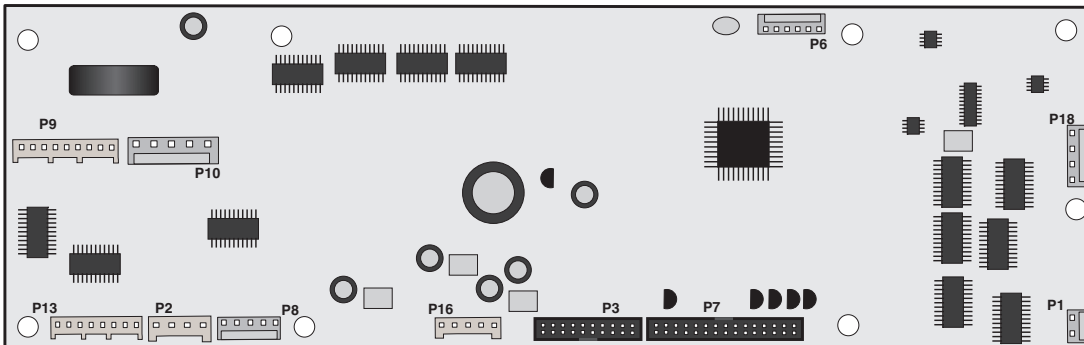
- K1. Relais DLB
- K3. Relais élément gril
- K5. Relais élément cuisson
- K7. Relais élément conv.
- K11. Relais moteur verrou
- K16. Relais basse vitesse du ventilateur de refroidissement
- K18. Relais haute vitesse du ventilateur de refroidissement

Ce panneau de relais sert à alimenter les éléments du four, le moteur verrou et le ventilateur de refroidissement.

- P1 - Sortie L2
- P3 - Entrée L2
- P5 - L1
- P7 - Gril
- P9 - Cuisson
- P11 - Élément convection
- P17 - Pas utilisé

- J2 - Sortie d'alimentation DC au panneau d'affichage.
- J3 - Sortie d'alimentation AC (moteur verrou, ventilateur de refroidissement)
- J4 - Entrée de puissance (L1, neutre).
- J5 - Entrée contrôle des relais (Éléments cuisson et gril, moteur verrou, DLB)
- J6 - Entrée contrôle des relais (ventilateurs de refroidissement, éléments convection)

## PANNEAU D'ALIMENTATION DU FOUR ENCASTRÉ SIMPLE








### Légende du panneau d'affichage:

- P1 - Entrée de la sonde
- P2 - Communication avec le panneau pour le ventilateur de convection et les lumières
- P3 - Clavier (membrane tactile)
- P6 - Microprogrammation (pas utilisé)
- P7 - DELs de la membrane tactile
- P8 - Entrée de puissance de la membrane tactile
- P9 - Sortie contrôle des relais (éléments cuisson, gril et convection, moteur verrou, DLB)
- P10 - Entrée des interrupteurs (moteur verrou, porte, grilles)
- P13 - Sortie contrôle des relais (ventilateur de refroidissement)
- P16 - Entrée de puissance DC
- P18 - Entrée de la sonde pour la viande

## MODE CONVECTION

Le four à convection utilise un élément et un ventilateur pour chauffer et faire circuler l'air qui se trouve déjà dans le four. La circulation de l'air chaud permet de déstratifier la chaleur et d'obtenir une répartition de la chaleur uniforme. L'air est attiré vers l'élément à l'intérieur du diffuseur du ventilateur situé sur la paroi arrière du four. Il est ensuite libéré autour des extrémités extérieures du diffuseur. L'air circule autour de l'aliment et pénètre à nouveau dans le diffuseur. Comme sur tous les appareils de cuisson, il existe un événement qui évacue l'air. Lors du préchauffage des modes de cuissons non-convection, le ventilateur convection sera en fonction jusqu'à ce que le four aille atteindre sa température ciblée.

Pour régler la commande de cuisson par convection, suivez les étapes ci-dessous:

1. Sur un four double: Sélectionnez le four en appuyant **FOUR DU HAUT** <sup>UPPER OVEN</sup> ou **FOUR DU BAS** <sup>LOWER OVEN</sup>.
2. Appuyez **CUISSON CONV.**  ou **RÔTISSAGE CONV.**  ou **GRILLADE CONV.** .
3. Appuyez **DÉPART** . Le four débutera automatiquement et le ventilateur convection commencera son opération.
4. Appuyez **ANNULER**  pour arrêter ou annuler la fonction Convection à n'importe quel moment.

**NOTE:** Le ventilateur tournera continuellement en mode convection. Le ventilateur s'arrêtera si la porte est ouverte lorsqu'en mode cuisson/rôtissage/grillade par convection. L'élément de convection s'arrêtera aussi si la porte est ouverte. La vitesse du ventilateur de convection peut varier dépendant de la fonction convection utilisée. Le Rôtissage par convection utilise une vitesse de ventilateur, tandis que la cuisson par convection utilise une vitesse plus lente.

## MOTEUR DU VENTILATEUR DE CONVECTION

Le moteur de convection de 120V est situé à l'arrière du four à l'extérieur.

Le moteur du ventilateur de convection tourne continuellement lorsqu'en mode convection avec exception de si la porte est ouverte. Il est normal de voir le ventilateur changer de vitesse dépendant de la fonction utilisée. Cet appareil utilise une vitesse optimale pour chaque mode de convection.

C'est le panneau de ventilateur de convection et des lumières qui module la vitesse du ventilateur. Il utilise la vitesse qui lui est communiquée par le panneau d'affichage.

Sur un four double, il y a deux panneaux de ventilateur de convection et des lumières, un pour chaque four.

Si le ventilateur ne fonctionne pas, vérifiez les suivants:

- L'affichage électronique de l'appareil vous donnera une indication de lorsque le ventilateur devrait être en fonction; l'image du ventilateur en rotation indique qu'il devrait tourner. Si l'image n'est pas animée, cela veut dire que le ventilateur est volontairement inactif.
- Vérifiez que l'interrupteur de la porte fonctionne correctement. Si le contrôle pense que la porte est ouverte, le ventilateur ne fonctionnera pas. Si la lumière du four s'allume lorsque vous ouvrez la porte et s'éteint lorsque vous la fermez, c'est une bonne indication que l'interrupteur de porte fonctionne correctement.
- Si vous obtenez un code d'erreur F23 ou F24, cela indique que le panneau d'affichage n'est pas capable de communiquer avec le panneau du ventilateur de convection et lumières, donc le ventilateur ne fonctionnera pas. Vérifiez les connexions entre le panneau d'affichage et le panneau de ventilateur convection et lumières. Référez-vous au tableau de code d'erreurs pour les actions correctifs.
- Vérifiez les connexions sur le panneau du ventilateur de convection et lumières. Sur le connecteur P2: 3e broche devrait être neutre, la broche 5 devrait être L1 (120VAC) et la broche 7 devrait aller sur le moteur du ventilateur convection.
- La résistance des spirales du moteur du ventilateur devrait être à 15.0 ohm +/- 10%.
- Lorsque le ventilateur est en marche, vous devriez voir entre 20 et 120 VAC sur le moteur convection, dépendant de la vitesse.
- Si aucun code d'erreur n'est présent, que le fillage est bon et que les spirales du ventilateur sont intacte, remplacez le panneau du ventilateur de convection et des lumières.

## CALIBRATION DU FOUR

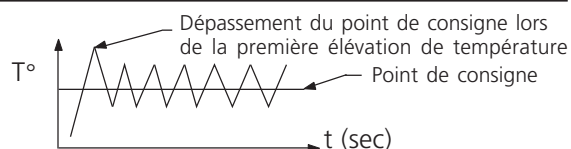
Réglez le point de consigne pour une cuisson traditionnelle à 350°F (177°C). Mesurez la température moyenne du four après un minimum de 5 cycles.

La calibration du four peut être ajusté en utilisant le panneau d'affichage. Voir le manuel d'utilisation et d'entretien.

**Note:** Modifier la calibration affecte tous les modes de cuisson mais pas les modes de nettoyage et de grillage.

## PREMIÈRE ÉLÉVATION DE LA TEMPÉRATURE

Il est normal de voir la température du four dépasse le point de consigne désiré lors de sa première élévation de température et ce pour les différentes fonctions.





## COMMANDE ÉLECTRONIQUE DU FOUR (CODES D'ERREUR)

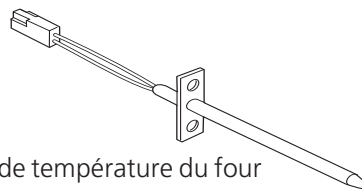
### DESCRIPTION DES CODES D'ERREUR DE LA COMMANDE DE FOUR

**Note :** De façon générale "F1X" indique des erreurs internes de la commande du four, "F3x" un problème avec la sonde du four et "F9x" un problème avec le moteur verrou.

Code d'erreur/Condition/Cause	Action corrective suggérée
<b>F10</b> La commande de four a décelé une condition d'emballement possible. La commande présente un relais en court-circuit, (RTD) mauvais fonctionnement de la sonde.	- Vérifiez la sonde RTD et remplacez-la si nécessaire. Si le four surchauffe, coupez le courant. S'il continue de surchauffer une fois que le courant est rétabli, remplacez le panneau de relais et/ou le panneau d'affichage.
<b>F11</b> Touches en court-circuit: si une touche a été détectée comme enfoncée durant une longue période de temps on la considère comme court-circuitée et une alarme termine toute activité.	- Appuyez sur une touche pour effacer le code d'erreur. - Si le code réapparaît, remplacez le panneau de commande (clavier). - Si le problème persiste, remplacez le panneau d'affichage.
<b>F13</b> La mémoire interne du contrôle est corrompue.	- Appuyez sur une touche pour effacer le code d'erreur. - Débranchez l'appareil, attendez 30 secondes et rebranchez l'appareil. Si le problème réapparaît lors du branchement, changez le panneau d'affichage.
<b>F14</b> Câble du clavier mal connecté.	- Vérifiez les connections entre le panneau d'affichage et le clavier (2 câbles ruban). Assurez-vous que les câbles sont bien connectés à chaque extrémité. - Si les câbles sont intacts, remplacez le clavier. - Si le problème persiste, remplacez le panneau d'affichage.
<b>F15</b> Problème avec l'auto vérification du contrôleur.	- Remplacez le panneau d'affichage.
<b>F23</b> Le contrôleur à manqué sa communication avec le panneau (supérieur) du ventilateur de convection et des lumières.	- Vérifiez le filage entre P2 sur le panneau d'affichage et P2 sur le panneau du ventilateur de convection et lumières. - Si les fils sont bons, remplacez le panneau du ventilateur. - Si le problème persiste, remplacez le panneau d'affichage.
<b>F24</b> Le contrôleur à manqué sa communication avec le panneau (inférieur) du ventilateur de convection et des lumières (four double seulement).	- Vérifiez le filage entre P2 sur le panneau d'affichage et P2 sur le panneau du ventilateur de convection et lumières. - Si les fils sont bons, remplacez le panneau du ventilateur. - Si le problème persiste, remplacez le panneau d'affichage.
<b>F25</b> Signal alternatif non détecté sur le panneau de ventilateur de convection et lumières (four du haut ou du bas).	- Assurez-vous que L1 et Neutre sont connectés au panneau de ventilateur de convection sur le connecteur P2 (P2 pin 3 = neutre / P2 pin 5 = L1). - Si le problème persiste, remplacez le/les panneau du ventilateur de convection et lumières.
<b>F26</b> Signal de sélection du four inférieur est manquant sur le panneau de ventilateur de convection et lumières. (four double seulement).	- Vérifiez le filage. Le panneau du ventilateur de conv. et lumières est supposé recevoir 5V sur la pin 5 du connecteur P1. Ce voltage origine du panneau d'affichage (connecteur P2 pin 4). - Si le problème persiste, remplacez le panneau du ventilateur de convection et lumières.
<b>F30</b> Problème avec le filage de sonde/filage ouvert (F30) ou Note: La commande de four affichera initialement le code "F10", cela signifie qu'il décèle l'existence d'une condition d'emballement. <b>F31</b> Court-circuit (F31) RTD problème sonde/filage. Note: Si <b>F30</b> ou <b>F31</b> s'affiche lorsque le four est actif ou lorsqu'il est en train d'entrer dans un mode actif.	- Vérifiez le filage du circuit de la sonde, il est peut-être ouvert ou coupé. - Vérifiez la résistance RTD à la température de la pièce (comparez les données au tableau). Si celle-ci ne concorde pas, remplacez sonde (RTD). - Laissez refroidir le four et redémarrez la fonction. - Si le problème persiste, remplacez le panneau d'affichage.
<b>F90</b> Système de verrouillage de porte défectueux.	- Appuyez sur une touche pour effacer le code d'erreur. - Si cette étape n'élimine pas le problème, coupez le courant pendant 30 secondes et redémarrez l'appareil. - Vérifiez le filage du moteur verrou, de l'interrupteur verrou et le circuit de l'interrupteur de la porte. - Débranchez le moteur verrou, appliquez du courant (L1) directement au moteur verrou, si le moteur ne fonctionne pas, remplacez l'assemblage. - Vérifiez si l'interrupteur verrou A fonctionne adéquatement (Est-ce qu'il permet d'ouvrir et de fermer, vérifiez avec un ohm mètre). Le moteur verrou doit être réactivé tel qu'indiqué à l'étape précédente afin que l'interrupteur s'ouvre et se ferme. Si l'interrupteur verrou est défectueux, remplacez-le. - Si toutes les étapes mentionnées ci haut échouaient, remplacez le panneau de relais ou le panneau électronique analogique dans le cas où le moteur verrou ne tourne pas. - Si toutes les étapes mentionnées ci haut échouent, remplacez le panneau électronique analogique dans le cas où le moteur verrou tourne trop faiblement.

RTD TABLEAU		
Temp. °F	Temp. °C	Resistance (ohms)
32 ± 1.9	0.0 ± 1.1	1000 ± 4.0
75 ± 2.5	23.9 ± 1.4	1091 ± 5.3
250 ± 4.4	121.1 ± 2.4	1453 ± 8.9
350 ± 5.4	176.7 ± 3.0	1654 ± 10.8
450 ± 6.9	232.2 ± 3.8	1852 ± 13.5
550 ± 8.2	287.8 ± 4.6	2047 ± 15.8
650 ± 9.6	343.3 ± 5.3	2237 ± 18.5
900 ± 13.6	482.2 ± 7.6	2697 ± 24.4

CARACTÉRISTIQUES ÉLECTRIQUES			
Puissance en Kw 240/208 V	Voir la plaque de série	Élément de cuisson Watts	2200W/1653W
Élément gril Watts	Sur four 27" 3400W/2554W Sur four 30" 4000W/3004W	Élément convection Watts	2500W/1879W



Sonde température du four

### MATRICE D'ANALYSE DU CIRCUIT DU FOUR ENCASTRÉ SIMPLE ET DU FOUR SUPÉRIEUR DU FOUR ENCASTRÉ DOUBLE

	Sur le Panneau Relais ÉLÉMENTS				Sur le Panneau ventilateur convection et lumière		Sur le panneau d'affichage	Sur le Panneau Relais		
	Cuisson P9	Gril P7	Conv. P13	Moteur porte J3-5	Lampe P2-1	Ventilateur Convection P2-7	Interr. porte P8-3 / P8-5	DLB L2 sortie P1	Ventilateur refroidissement basse vitesse J3-7	Ventilateur refroidissement haute vitesse J3-8
Cuisson	X	X	X*			X*		X	X	
Garder chaud	X							X	X	
Gril		X						X		X
Cuisson conv.	X	X	X			X		X	X	
Rôtissage conv.	X	X	X			X		X	X	
Gril conv.		X	X			X		X	X	
Nettoyage	X	X						X	X	X
Verrouillage				X						
Verrouillé										
Déverrouillage				X						
Déverrouillé										
Lumière					X					
Porte ouverte					X		X			
Porte fermée										
pâte à pain	X							X	X	

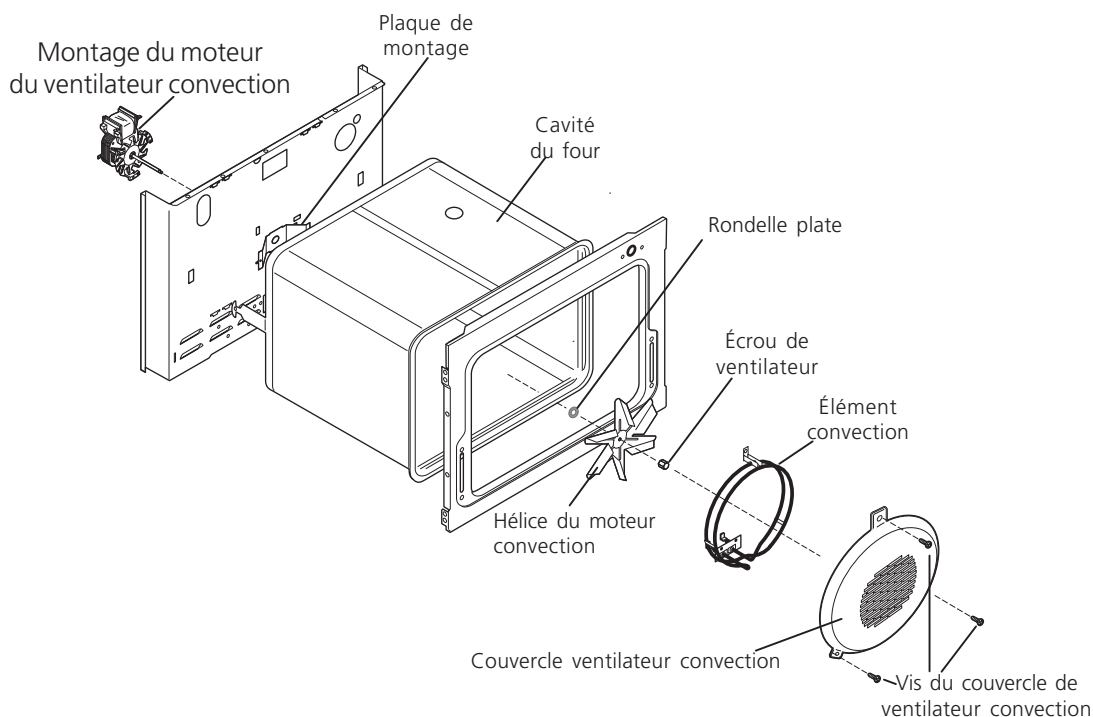
### MATRICE D'ANALYSE DU CIRCUIT DU FOUR INFÉRIEUR DU FOUR ENCASTRÉ DOUBLE

	Sur le Panneau Relais ÉLÉMENTS				Sur le Panneau ventilateur convection et lumière		Sur le panneau d'affichage	Sur le Panneau Relais		
	Cuisson P10	Gril P8	Conv. P16	Moteur porte J4-6	Lampe P2-1	Ventilateur Convection P2-7	Interr. porte P10-3 / P10-6	DLB L2 sortie P2	Ventilateur refroidissement basse vitesse J4-8	Ventilateur refroidissement haute vitesse J4-9
Cuisson	X	X	X*			X*		X	X	
Garder chaud	X							X	X	
Gril		X						X		X
Cuisson conv.	X	X	X			X		X	X	
Rôtissage conv.	X	X	X			X		X	X	
Gril conv.		X	X			X		X	X	
Nettoyage	X	X						X	X	X
Verrouillage				X						
Verrouillé										
Déverrouillage				X						
Déverrouillé										
Lumière					X					
Porte ouverte					X					
Porte fermée							X			
pâte à pain	X							X	X	

Le relais sera en opération dans ces conditions seulement.

\* L'élément de convection ainsi que le ventilateur sont en fonction pour la première élévation de la température.

## VUE EXPLOSÉE DU SYSTÈME PAR CONVECTION



## HÉLICE DU VENTILATEUR À CONVECTION

L'hélice du ventilateur est montée à l'arrière du four et est pourvue d'un orifice en forme de D. Il n'existe qu'un minimum de dégagement entre l'arrière du four, l'hélice du moteur convection, et le couvercle ventilateur convection. Veuillez à ne pas recourber les pales de l'hélice lors d'un démontage ou d'un montage.

Vous pouvez avoir accès à l'hélice du moteur convection en enlevant le couvercle ventilateur convection retenu par trois vis à l'intérieur du four.

L'hélice du moteur convection est retenue par un écrou hexagonal ayant un filetage dans le sens inverse des aiguilles d'une montre. Lorsque vous enlevez cet écrou, retenez avec soin l'hélice du moteur convection puis tournez dans le sens des aiguilles d'une montre. Si l'une des pales se déforme, vous pouvez la redresser sur une surface plane.

Une bague plate est située sur l'arbre du moteur entre l'anneau élastique de l'arbre et l'éventail du ventilateur.

**NOTE:** Si l'hélice du moteur convection est courbée et que les vibrations du moteur augmentent, le bruit provenant du ventilateur augmentera également.

## PLAQUE DE MONTAGE DU FOUR

Le moteur du ventilateur situé à l'arrière de l'unité est fixé à la paroi arrière principale avec trois vis. Il y a une plaque de montage retenue entre la paroi arrière principale (avec 2 vis) et la paroi arrière de la cavité (avec 2 vis). S'il s'avère nécessaire de remplacer la cavité du four, vous devez enlever les deux vis situées à l'intérieur de l'unité de la cavité de four.

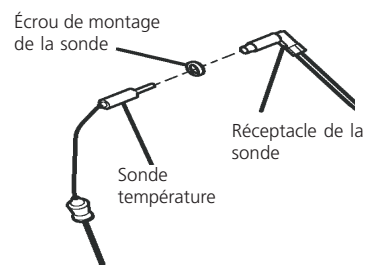
## MOTEUR DU VENTILATEUR DE REFROIDISSEMENT

Le moteur du ventilateur est situé à l'extérieur de la paroi arrière du four. C'est un moteur alimenté à 120 volts. Ce ventilateur possède 2 vitesses, lesquelles sont contrôlées par le programmeur. La haute vitesse est en fonction lorsque le four est utilisé pour un cycle autonettoyant et atteint une température supérieure à 575°F. Cette vitesse est aussi utilisée lors de la cuisson au gril. Le programmeur continu d'utiliser la haute vitesse du ventilateur de refroidissement aussi longtemps que le four est suffisamment refroidi après qu'une cuisson au gril est annulée. Sur le four encastré double, le ventilateur de chaque four sera en fonction lorsqu'un ou l'autre four est en mode nettoyage.

## RÉSISTANCE DE LA SONDE TEMPÉRATURE

**Tableau de la sonde température VS la résistance**

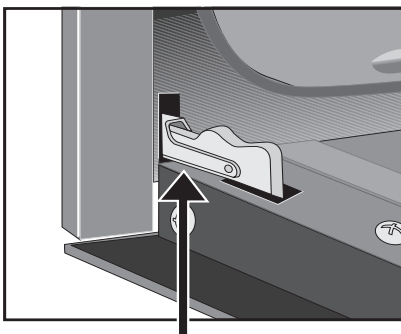
Temp. Celsius	Temp. Fahrenheit	Résistance de la sonde
25°C	77°F	49.478 Kohm +/- 7%
50°C	122°F	17.737 Kohm +/- 4.9%
80°C	176°F	6.107 Kohm +/- 3.3%
100°C	212°F	3.264 Kohm +/- 4.6%



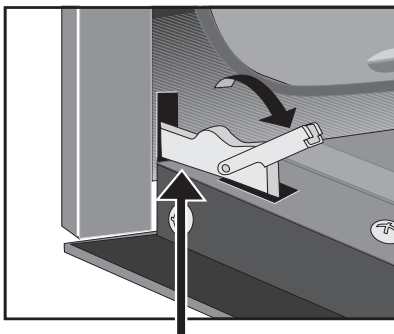
## ENLÈVEMENT ET REPLACEMENT DE LA PORTE DU FOUR

### Pour enlever et réinstaller la porte du four

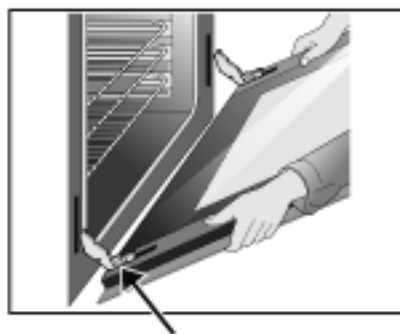
1. Ouvrez la porte à son maximum.
2. Tirez vers le haut les verrous situés sur chaque charnière. Vous devrez peut-être mettre une petite pression lorsque vous tirerez le loquet vers le haut.
3. Tenez la porte par les côtés, tirez la partie inférieure de la porte vers le haut et dans votre direction pour dégager les leviers des charnières.
4. Pour remonter, répétez les opérations dans l'ordre inverse. Assurez-vous que les supports de charnières sont entièrement engagés avant de déverrouiller les leviers des charnières.



Verrou en position normale



Verrou engagé pour démonter la porte



Dégagez la porte de la fente de charnière

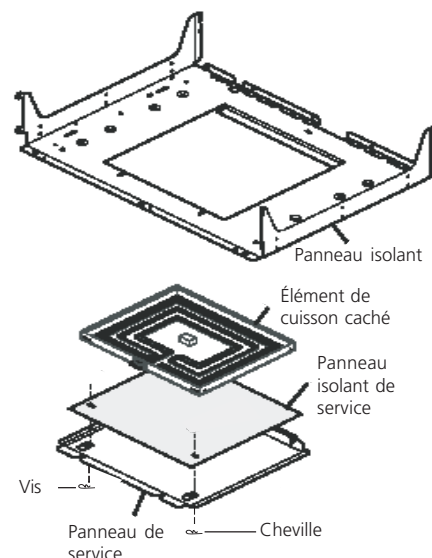
## REPLACEMENT DE L'ÉLÉMENT DE CUISSON SUR LES MODÈLES MUNIS D'UN ÉLÉMENT DE CUISSON CACHÉ - FOURS ENCASTRÉS SIMPLES ET DOUBLES

Suivez les étapes si bas pour changer l'élément de cuisson sur les modèles de fours encastrés simples et l'élément de cuisson du four inférieur sur les modèles de fours encastrés doubles.

1. Enlevez la moulure inférieure décorative (2 vis).
2. Utilisez une paire de pince à long bec pour retirer la cheville et la vis qui retiennent le panneau de service de l'élément de cuisson (sous l'enveloppe du four)
3. Débranchez les deux fils de l'élément de cuisson
4. Glissez le panneau de service et l'élément hors de leur position initiale.

**Les étapes qui suivent sont les mêmes pour remplacer l'élément du four supérieur sur un four encastré double.**

5. Enlevez la moulure centrale. Utilisez un tournevis plat pour parvenir à retirer la moulure centrale.
6. Enlevez l'assemblé moteur verrou.
7. Suivez les même étapes que pour le four encastré simple (2-4 plus haut).



## MÉCANISME DE VERROUILLAGE DE PORTE

L'appareil est équipé d'une commande de four électronique qui possède un loquet de verrouillage de porte. Lorsque le cycle auto nettoyant est programmé, la porte est verrouillée par un système de loquet motorisé. Il n'est pas nécessaire que le four atteigne une température de 520°F pour que la porte se verrouille. Cependant, jusqu'à ce que la température du four atteigne 520°F, le programme d'auto nettoyage peut être annulé et la porte se déverrouillera immédiatement. Lorsque le four a atteint des températures supérieures à 520°F, la porte ne se déverrouille pas avant que la température baisse sous 490°F.

Si un problème survient et que la porte reste barrée, il est possible pour un technicien de débarrer la porte sans avoir à enlever l'appareil de son emplacement. Suivez les étapes suivantes:

1. Coupez le courant de l'appareil.
2. Enlevez les 2 vis qui fixent le moteur verrou en place. Elles sont situées entre le panneau de commande et la porte du four.
3. Lorsque les vis sont enlevées, il est possible de débarrer la porte à l'aide d'un tournevis plat ou à l'aide d'un des deux outils fournis avec l'appareil et servant à retirer ce dernier de l'armoire. Insérez le bout de l'outil à travers la fente au dessus de la porte du four. Il est très important de faire attention pour ne pas endommager l'appareil durant cette étape.
4. Aussitôt que le loquet sera en position déverrouillé, vous pourrez ouvrir la porte.

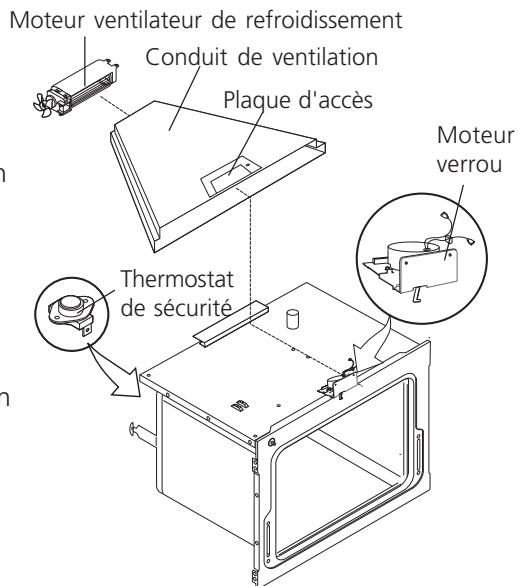
### 5. Remplacez le moteur verrou:

Four supérieur:

1. Pour avoir accès à l'assemblé du moteur verrou, enlevez les 3 vis situées sous le panneau de commande.
2. Enlevez la plaque électronique située sur la plaque d'accès.
3. Enlevez la plaque d'accès situé sur le conduit de ventilation en enlevant les vis.
4. Remplacez le moteur verrou par un nouveau et procédez à l'inverse pour assembler l'appareil.

Four inférieur:

1. Retirez l'appareil d'environ 4" de l'armoire.
2. Enlevez les 4 vis qui fixent la moulure centrale et enlevez-la en la tirant par les extrémités.
3. Remplacez le moteur verrou par un nouveau et assemblez l'appareil.



## LAMPES DU FOUR

Cet appareil est équipé avec un électronique qui contrôle l'intensité des lampes du four. Ceci est accompli par le panneau du ventilateur de convection et lumières, qui module le courant AC qui va aux lampes halogènes de 120V. Lorsque la touche Lumière est appuyée ou lorsque la porte du four est ouverte, le panneau d'affichage communique avec le panneau du ventilateur convection et lumières pour spécifier l'intensité de lumière requis. Le panneau du ventilateur convection et lumières ajoute aussi un "effet-théâtre" à la lumière; l'intensité de la lumière augmente ou diminue graduellement jusqu'à ce que la lumière soit complètement ouverte ou fermée.

Sur un four double il y a deux panneaux de ventilateur convection et lumières, un pour chaque four. Les lumières des fours du haut et du bas s'allumeront en même temps. Si la touche Lumières est appuyée, les lumières des deux fours s'illumineront.

Si les lumières des fours ne fonctionnent pas, vérifiez les points suivants:

- Si vous obtenez un code d'erreur F23 ou F24, cela implique que le panneau d'affichage n'est pas capable de communiquer avec le panneau du ventilateur convection et lumière, donc les lumières ne fonctionneront pas. Vérifiez les connexions entre le panneau d'affichage et le panneau ventilateur convection et lumières. Référez-vous au tableau des codes d'erreurs pour les actions correctives.
- Si les lumières sont toujours allumées (même avec les portes fermées), cela pourrait être parce que le contrôleur pense que la porte est ouverte. Vérifiez l'interrupteur de la porte et son filage.
- Vérifiez les connexions sur le panneau ventilateur convection et lumière. Sur le connecteur P2: pin 3 devrait être neutre, la pin 5 devrait être L1 (120VAC) et la pin 1 devrait aller aux lumières du four. Les autres terminaux de la lumière devraient être connectés au neutre.
- Vérifiez si l'ampoule de la lumière a besoin d'être remplacée.
- Si il n'y a aucun code d'erreur, que le filage est en bon état et que les lumières ne fonctionnent toujours pas, remplacez le panneau de ventilateur convection et lumière.

# Schéma de communication entre les panneaux

Le four encastré double est illustré. Pour le four simple, ignorez les connections et pièces du four inférieur.

