

**USE &  
CARE  
GUIDE**

36" (91.4 cm) BOTTOM MOUNT  
BUILT-IN REFRIGERATOR



**KitchenAid**<sup>®</sup>  
FOR THE WAY IT'S MADE<sup>®</sup>

# TABLE OF CONTENTS

	Page
<b>A Note to You</b> .....	2
<b>Refrigerator Safety</b> .....	3
Proper disposal of your old refrigerator .....	3
<b>Parts and Features</b> .....	4
<b>Using Your Refrigerator</b> .....	5
Removing the lower ventilation panel.....	5
Removing the upper ventilation panel .....	5
Using the Power On/Off Switch .....	5
ExtendFresh™ Temperature Management System.....	6
Setting temperature controls .....	6
Light bulbs .....	6
<b>Refrigerator Features</b> .....	7
Slide ‘N’ Lock™ Door Bins and Gallon Door Storage .....	7
SpillClean™ glass refrigerator shelves.....	7
FreshChill™ Deli Locker .....	7
ClearVue™ Humidity-controlled crispers.....	8
ClearVue™ covered egg container .....	9
Wine rack.....	9
<b>Freezer Features</b> .....	10
Automatic ice maker.....	10
Solving common ice maker problems.....	10
Ice maker operating tips .....	11
Pull-out freezer basket.....	12
Base grille .....	13
Defrost pan .....	13
Light bulbs .....	13
<b>Understanding the Sounds You May Hear</b> .....	14
Saving energy.....	14
<b>Caring for Your Refrigerator</b> .....	15
Cleaning your refrigerator .....	15
Vacation and moving care .....	16
Power interruptions .....	16
<b>Food Storage Guide</b> .....	17
Storing fresh food .....	17
Storing frozen food.....	18
<b>Troubleshooting Guide</b> .....	19
<b>Requesting Assistance or Service</b> .....	24
<b>Requesting Assistance or Service in Canada</b> .....	25
<b>Warranty</b> .....	26

## A NOTE TO YOU

**Thank you for buying a KitchenAid® appliance.**

KitchenAid designs the best tools for the most important room in your house. To ensure that you enjoy years of trouble-free operation, we developed this Use and Care Guide. It contains valuable information about how to operate and maintain your appliance properly and safely. Please read it carefully.

Also, please complete and mail the **Product Registration Card** provided with your appliance. The card helps us notify you about any new information for your appliance.

### **Record your model’s information.**

Write down the following information about your refrigerator to better help you obtain assistance or service if you ever need it. You will need to know your complete model number and serial number. You can find this information on the model and serial number label/plate.

If you need assistance or service, first see the “Troubleshooting” section of this book. After checking “Troubleshooting,” additional help can be found by checking the “Requesting Assistance or Service” section.

**Dealer name**

---

**Address**

---

**Phone number**

---

**Model number**

---

**Serial number**

---

**Purchase date**

---

(See the “Parts and Features” section for model and serial number label/plate location.)

**Keep this book and your sales slip together for future reference.**

# REFRIGERATOR SAFETY

## Your safety and the safety of others is very important.

We have provided many important safety messages in this manual and on your appliance. Always read and obey all safety messages.



This is the safety alert symbol. This symbol alerts you to hazards that can kill or hurt you and others. All safety messages will be preceded by the safety alert symbol and the word “DANGER” or “WARNING”. These words mean:

## **! DANGER**

You will be killed or seriously injured if you don't follow instructions.

## **! WARNING**

You can be killed or seriously injured if you don't follow instructions.

All safety messages will identify the hazard, tell you how to reduce the chance of injury, and tell you what can happen if the instructions are not followed.

## **IMPORTANT SAFETY INSTRUCTIONS**

**WARNING:** To reduce the risk of fire, electrical shock, or injury when using your refrigerator, follow these basic precautions:

- Plug into grounded 3-prong outlet.
- Do not remove ground prong.
- Do not use an adapter.
- Do not use an extension cord.
- Disconnect power before servicing.
- Remove doors from your old refrigerator.
- Use nonflammable cleaner only.
- Do not install the refrigerator near an oven, radiator, or other heat source.
- Keep flammable materials and vapors, such as gasoline, away from refrigerator.
- Use two or more people to move or install refrigerator.
- Unplug refrigerator before installing ice maker.

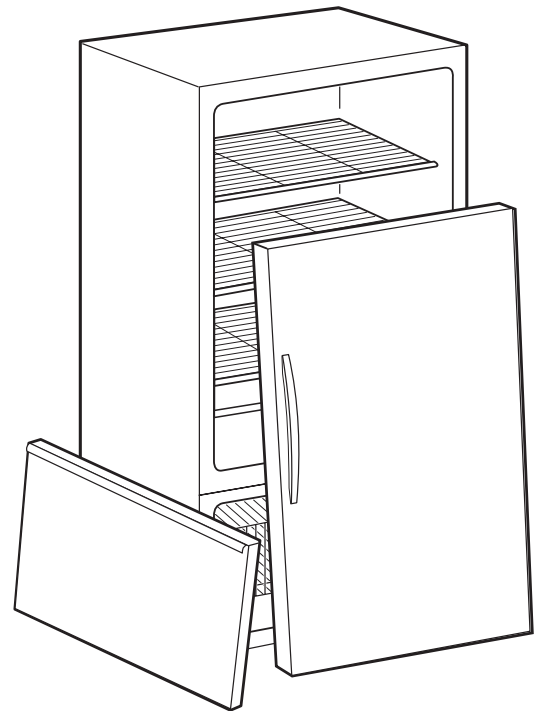
**- SAVE THESE INSTRUCTIONS -**

## Proper disposal of your old refrigerator

### **! WARNING**

#### **Suffocation Hazard**

**Remove doors from your old refrigerator. Failure to do so can result in death or brain damage.**



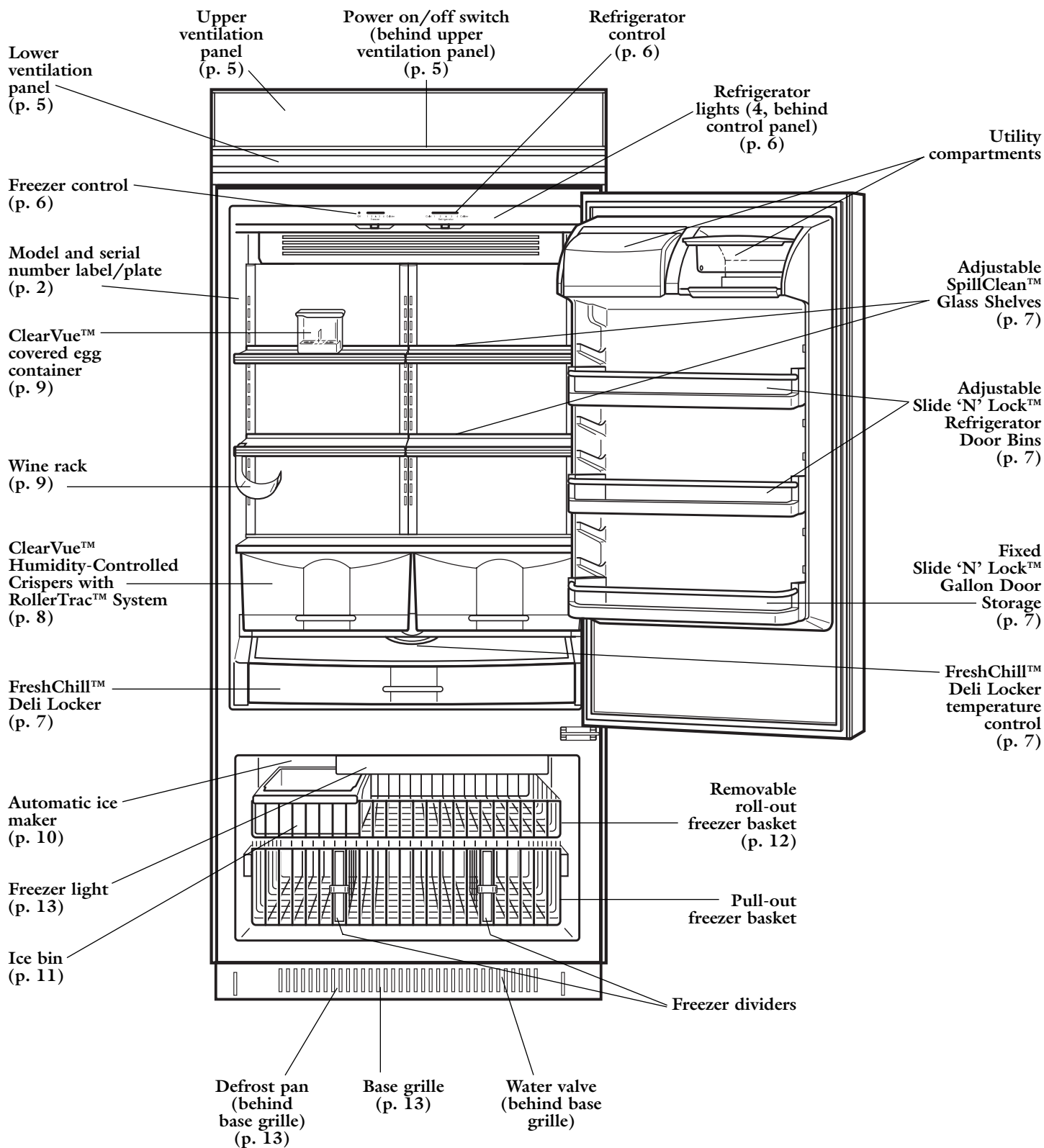
**IMPORTANT:** Child entrapment and suffocation are not problems of the past. Junked or abandoned refrigerators are still dangerous... even if they will sit for “just a few days.” If you are getting rid of your old refrigerator, please follow the instructions below to help prevent accidents.

### **BEFORE YOU THROW AWAY YOUR OLD REFRIGERATOR OR FREEZER:**

- Take off the doors.
- Leave the shelves in place so that children may not easily climb inside.

# PARTS AND FEATURES

This section contains an illustration of your refrigerator. Use it to become more familiar with the parts and features. Page references are included for your convenience.



# USING YOUR REFRIGERATOR

To obtain the best possible results from your refrigerator, it is important that you operate it properly. This section tells you how to set the controls, remove and adjust the features in your refrigerator, and how to save energy.

## ⚠ WARNING



### Electrical Shock Hazard

**Plug into a grounded 3-prong outlet.**

**Do not remove ground prong.**

**Do not use an adapter.**

**Do not use an extension cord.**

**Failure to follow these instructions can result in death, fire, or electrical shock.**

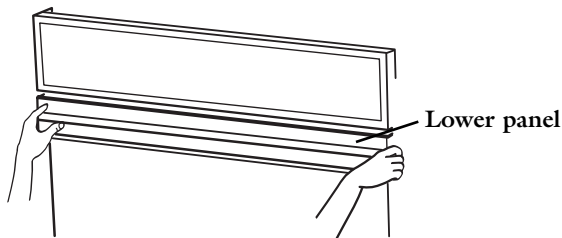
## ⚠ WARNING



### Explosion Hazard

**Keep flammable materials and vapors, such as gasoline, away from refrigerator.**

**Failure to do so can result in death, explosion, or fire.**



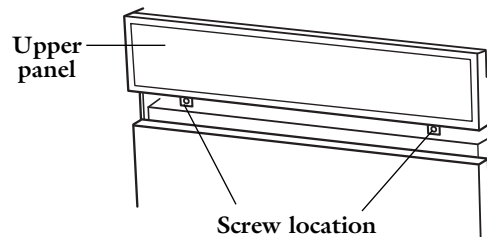
## Removing the lower ventilation panel

### To remove:

1. Grasp both ends of the lower panel.
2. Push straight up, then pull straight out.

### To replace:

1. Insert hooks (located on back of lower panel) into slots on side trim.
2. Pull lower panel down slightly to lock into place.



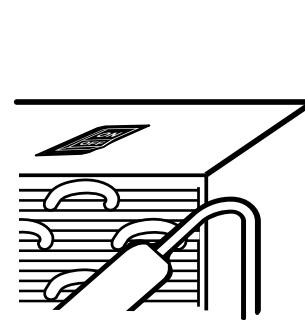
## Removing the upper ventilation panel

### To remove:

1. Remove the lower ventilation panel as described on this page.
2. Remove two hex screws with a 1/4" socket.
3. Grasp both ends of upper panel.
4. Pull straight down, then pull straight out.

### To replace:

1. Insert hooks (located on back of upper panel) into slots on side trim.
2. Push panel straight up until holes are aligned. Replace hex screws.



## Using the Power On/Off Switch

The Power On/Off Switch is located behind the ventilation panels. It is used to turn the power to the refrigerator off when cleaning it or changing light bulbs.

### To turn power off:

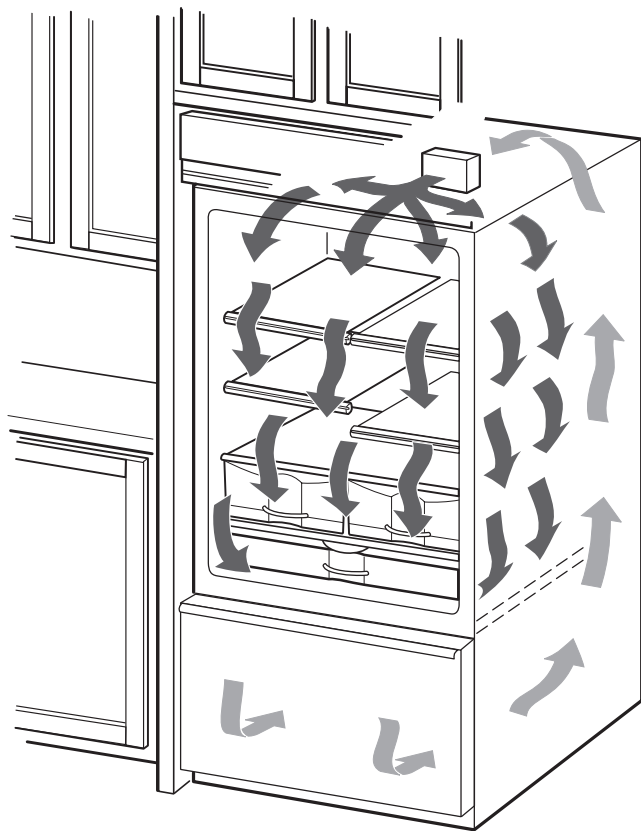
1. Remove lower and upper ventilation panels.
2. Press Power On/Off Switch to "OFF" position.

### To turn power on:

1. Press Power On/Off Switch to "ON" position.
2. Replace lower and upper ventilation panels.

**IMPORTANT:** Be sure the Power On/Off Switch is in the "ON" position after cleaning refrigerator or changing light bulbs.

# USING YOUR REFRIGERATOR



Refrigerator Control

Cold 1 2 ▲ 3 4 Colder  
Refrigerator

Freezer Control

● Off 1 2 ▲ 3 4 Colder  
Freezer

## Setting temperature controls

The Refrigerator and the Freezer Controls have been preset at the factory. These settings should be correct for normal household refrigerator use. Let the refrigerator operate for 24 hours to cool both sections before changing settings. If possible, wait to add food until after this 24-hour period. Adding foods before the refrigerator has cooled completely could cause the refrigerator to take longer to reach the desired temperatures and cause some foods to spoil. After 24 hours, adjust the controls, one number at a time as desired. “1” is the warmest setting and “4” is the coldest. Allow the refrigerator to operate for 24 hours after each control change.

### To change a temperature setting:

Adjust the Refrigerator and/or Freezer Control.

- To make the refrigerator or freezer colder, slide the control knob to the right.
- To make the refrigerator or freezer less cold, slide the control knob to the left.

**Note:** Turning the controls to higher number settings will not cool the sections faster.

**IMPORTANT:** The “OFF” setting on the Freezer Control stops all cooling action in the refrigerator, but it does not disconnect the refrigerator from the power supply.

## LIGHT BULBS

### Light bulbs are located behind the Refrigerator and Freezer Controls:

1. Press Power On/Off switch to the “OFF” position. (See page 5 for instructions.)
2. Reach behind control panel.
3. Unscrew bulb and replace it with a 40-watt, incandescent, medium-base, tubular bulb.
4. Press Power On/Off Switch to the “ON” position. (See page 5 for instructions.)

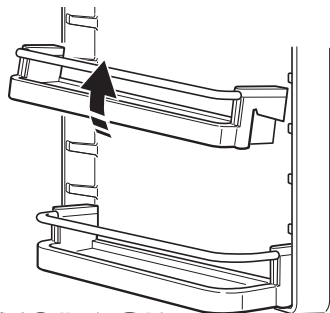
**IMPORTANT:** Be sure to press Power On/Off Switch to the “ON” position after changing light bulb(s).

## EXTENDFRESH™ TEMPERATURE MANAGEMENT SYSTEM

The ExtendFresh™ Temperature Management System controls the temperature in both the refrigerator compartment and the freezer compartment independently. The system helps extend the freshness of the food in your refrigerator by responding to temperature changes as small as 1°F. Unlike most refrigerators on the market today, the ExtendFresh™ System uses a SMART™ Fan to transfer cold air immediately from the freezer to the refrigerator for faster response to temperature changes without the need for the compressor to turn on. Also, by monitoring the freezer and fresh-food compartments every 82 seconds, the system maintains consistent temperatures, which are less affected by external temperature changes such as seasonal changes and programmable home thermostats.

# REFRIGERATOR FEATURES

## SLIDE 'N' LOCK™ DOOR BINS AND GALLON DOOR STORAGE



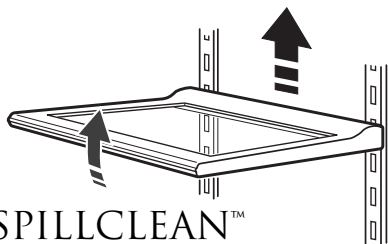
Top two bins hold two-liter bottles and can be repositioned on the refrigerator door. Only the bottom door bin is fixed in place and is extra deep to hold a gallon jug.

### To remove:

1. Lift door bin up.
2. Pull door bin straight out.

### To replace:

1. Insert door bin hooks into ladder slots on both sides of refrigerator door.
2. Push door bin back and down until it stops.



## ADJUSTABLE SPILLCLEAN™ GLASS REFRIGERATOR SHELVES

Adjust the shelves to match the way you use your refrigerator.

**IMPORTANT:** Do not clean glass shelves with warm water when they are cold. Shelves may break if exposed to sudden temperature changes or impact. For your protection, tempered glass is designed to shatter into many small pebble-size pieces. This is normal.

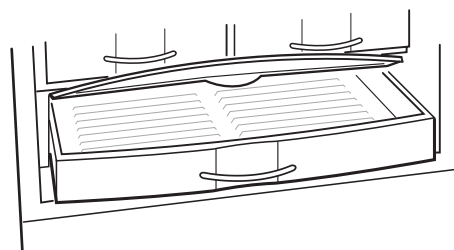
### To remove:

1. Tilt shelf up at front and lift shelf up at back.
2. Pull shelf straight out.

**IMPORTANT:** Glass shelves are heavy. Handle them carefully.

### To replace:

1. Guide the rear shelf hooks into slots in the shelf supports on the back of the refrigerator wall.
2. Tilt shelf up at front until hooks drop into slots. Lower front of shelf to level position.
3. Check the stability of the shelf to be sure hooks have been inserted properly.



## TEMPERATURE-CONTROLLED FRESHCHILL™ DELI LOCKER WITH ROLLERTRAC™ SYSTEM

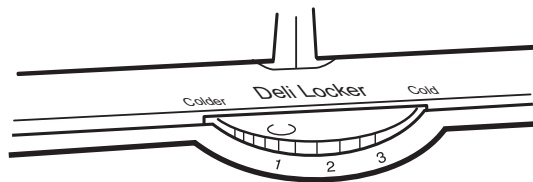
The FreshChill Deli Locker is designed to provide colder storage temperatures than the average refrigerator temperature. By maintaining a 28°F–32°F temperature range, the Deli Locker prolongs the shelf life of fresh meats and quick-chills beverages. It is large enough to hold an upright 12-oz. beverage can and to store large party trays. The FreshChill Deli Locker can be removed for cleaning.

### To remove:

1. Roll deli locker out to the stop.
2. Lift front of deli locker slightly.
3. Pull deli locker out the rest of the way.

### To replace:

1. Position deli locker rollers between front roller of track and the track.
2. Push deli locker up and onto track.
3. Slide deli locker back until it stops.



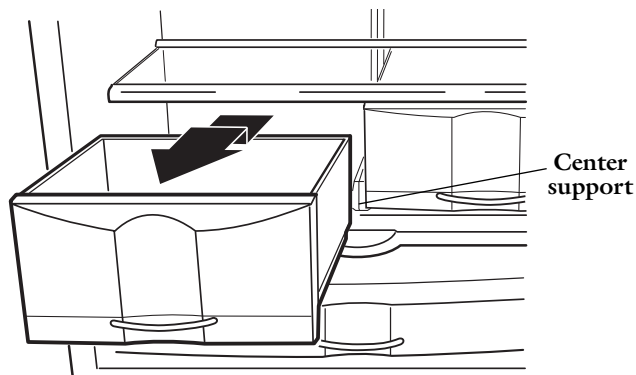
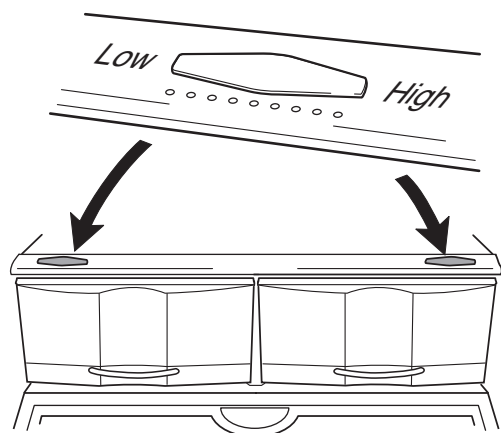
## Setting the FreshChill™ Deli Locker temperature control

The FreshChill Deli Locker temperature control allows you to adjust the storage temperature of the FreshChill Deli Locker.

Cold air flows into Deli Locker through an air duct between the freezer and the refrigerator. Setting the control allows more or less cold air through the air duct. Set the control to “Cold” to close the air duct.

**IMPORTANT:** If a food item freezes in the FreshChill Deli Locker, utility drawer, or crisper, turn the FreshChill Deli Locker Temperature Control to “Cold.”

# REFRIGERATOR FEATURES



## To remove both crispers:

1. Roll crisper out to the stop.
2. Lift front of crisper and pull out the rest of the way.

## To replace both crispers:

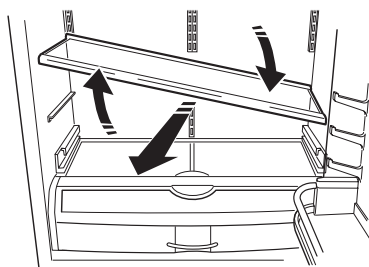
1. Place rear crisper rollers into front of track.
2. Push crisper straight back.

## CLEARVUE™ HUMIDITY-CONTROLLED CRISPERS WITH ROLLERTRAC™ SYSTEM

The humidity-controlled crispers are designed to keep fresh vegetables and fruits longer. The crisper controls are located on the front of the crisper shelves. The controls adjust the humidity (moisture) in the drawers. Slide control to “HIGH” for lettuce, cabbage and other produce with leaves. Slide control to “LOW” for apples, pears and other produce with skins.

The humidity-controlled crispers are interchangeable. The ClearVue areas allow you to see into the crispers without opening them.

**IMPORTANT:** Occasionally, a food item may freeze in the FreshChill™ Deli Locker, utility drawer, or crisper. When this occurs, turn the FreshChill Deli Locker temperature control to “cold.”



## To remove crisper cover:

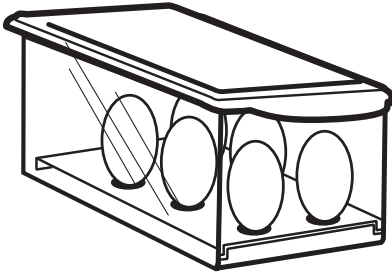
1. Remove food from crisper cover.
2. Pull both crispers out about four inches.
3. Reach under the glass shelf with both hands and lift gently upwards until back of shelf is free.
4. Tilt shelf at an angle and remove shelf from refrigerator being careful not to bump glass.

## To replace crisper cover:

1. Holding glass shelf firmly with both hands, tilt shelf at an angle and position it above support rails.
2. Place shelf gently on support rails on side wall.
3. Replace food on crisper cover.

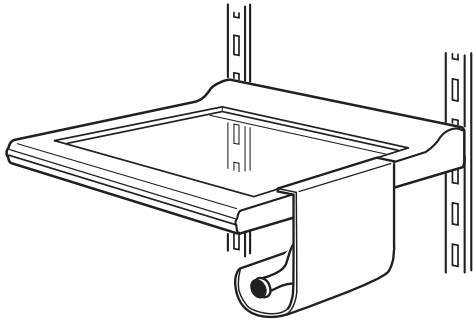


# REFRIGERATOR FEATURES



## CLEARVUE™ COVERED EGG CONTAINER WITH CARRIER

The covered egg container with carrier provides extra protection for storing eggs anywhere inside your refrigerator section. The ClearVue™ container allows you to see how many eggs you have stored.



## WINE RACK

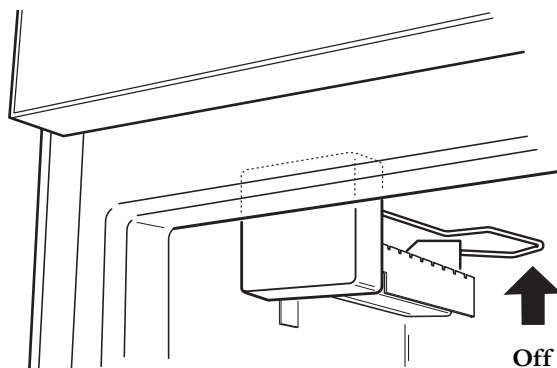
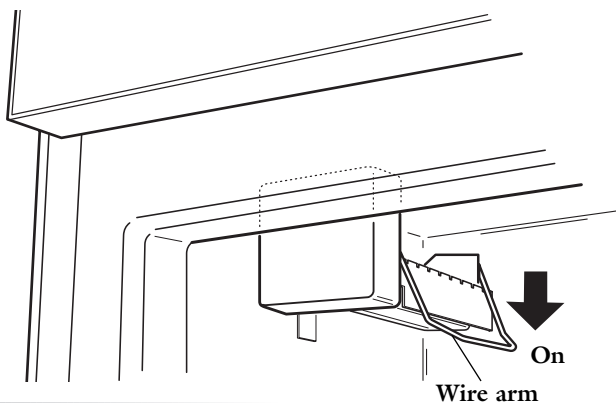
Insert the wine rack into position by sliding it between a refrigerator shelf and the wall of the refrigerator compartment.

# FREEZER FEATURES

## AUTOMATIC ICE MAKER

**IMPORTANT:** The ice maker is shipped from the factory with the wire arm in the OFF position (up). It is recommended that the ice maker be left in the OFF position for the first 24 hours after your refrigerator is turned on. This will allow the freezer compartment and the ice maker to reach the proper temperature before making ice.

**Note:** Refrigerators come with a factory-installed ice maker. Ice maker is partially hidden by front surface of freezer.



### To start ice maker:

- Push ice maker wire arm down to the “ON” position. The ice maker fills with water and begins forming ice. Allow 24 hours to produce the first batch of ice. Ice maker should then produce 7 to 9 batches of ice in a 24-hour period under normal conditions.

### To stop ice maker:

- Lift the ice maker wire arm until you feel it click into the “OFF” position.
- Do not force arm up or down. Do not store anything on top of ice maker or in ice bin.

### Discard the first three batches of ice.

After ice is formed, ice cubes drop into storage bin. When ice bin is full, ice maker arm raises to the “OFF” position (arm up).

## Solving common ice maker problems

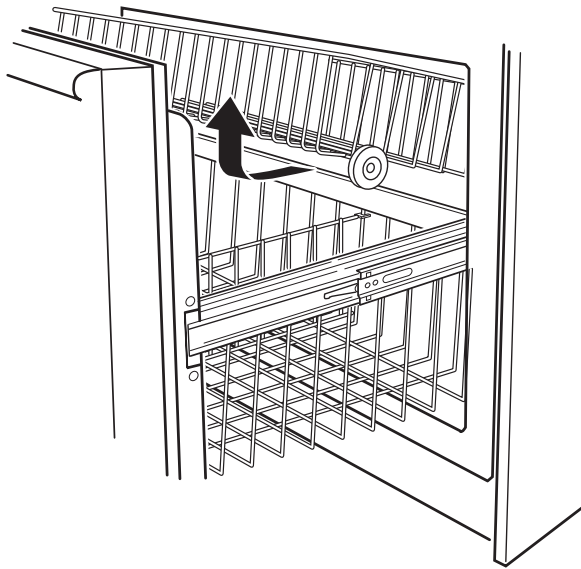
PROBLEM	POSSIBLE CAUSE/SOLUTION
Ice crescents attached at corners	This is normal. They break apart easily. Shake bin occasionally to keep cubes separated.
Ice maker will not operate or ice is not made fast enough	ON/OFF wire arm is in the “OFF” (up) position. Lower wire arm to the “ON” (down) position. Freezer is not cold enough. Adjust temperature controls and wait 24 hours. (See “Setting temperature controls” on page 6.) Copper tubing is kinked. Check water tubing.
Off-taste or odor in ice	New plumbing connections can cause discolored or off-flavored ice. Discard the first few batches of ice. Cubes are stored too long. Throw them away and make a new supply. Food is not wrapped properly. See page 18. Freezer and ice bin need to be cleaned. See page 15. Water may contain minerals (such as sulfur). A filter may be required to remove them.

# FREEZER FEATURES

## Ice maker operating tips

PROBLEM	CAUSE	SOLUTION
Off-taste or odor in ice	Ice attracts airborne odors; old ice	Dump old ice and make a new supply; store excess ice in a covered container.
	Water quality	For best results, avoid connecting ice maker to a softened water supply. If softened water supply cannot be avoided, make sure the water softener is well maintained and operating properly.
	Foods not properly wrapped	Wrap foods properly in airtight and moisture-proof materials. See page 18.
	Ice bin and freezer may need cleaning	Clean freezer and ice bin. See “Cleaning your refrigerator” on page 15 for instructions.
	Plumbing to ice maker	Follow Installation Instructions for proper ice maker water supply hookup.
	New ice maker	The first few batches of ice from a new ice maker may have an off-taste. Dump this ice and make a new supply.

# FREEZER FEATURES



## PULL-OUT FREEZER BASKET

### To remove upper basket:

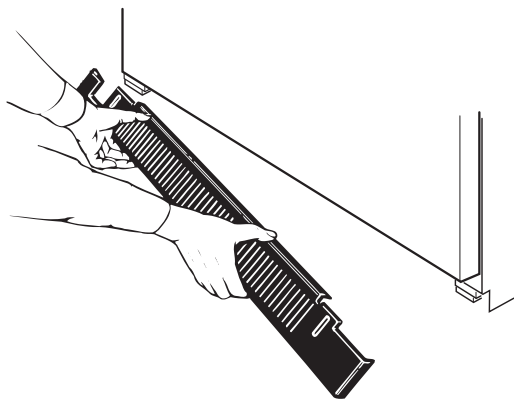
1. Turn off the ice maker.
2. Pull basket out of freezer.
3. Lift basket up and out.

### To replace upper basket:

1. Place rear of basket in shelf tracks.
2. Lower front of basket and push basket into freezer section.
3. Turn on ice maker.

**IMPORTANT:** Be sure both sides of basket are in the shelf tracks before filling with food.

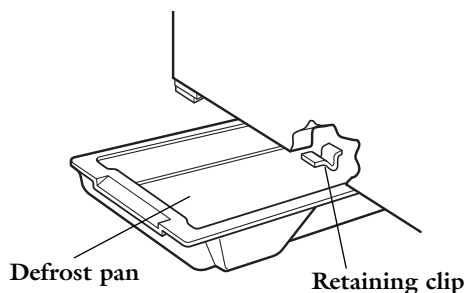
# FREEZER FEATURES



## BASE GRILLE

### To remove:

1. Remove one screw at each end of the base grille.
2. Remove base grille.
3. Replace in reverse order.



## DEFROST PAN

The defrost pan is located behind the base grille, toward the left side of the refrigerator.

### To remove:

1. Press Power On/Off Switch to the “OFF” position. (See page 5 for instructions.)
2. Remove base grille. (See above for instructions.)
3. Find retaining clip under refrigerator.
4. Push up on the clip. At the same time, slide the pan forward and out.
5. Clean the pan. (See page 15 for instructions.)

### To replace:

1. Position the edge of the defrost pan approximately 7 inches (17.8 cm) from the left side of the refrigerator.
2. Lift defrost pan into guides and push back until you hear the “click” or “snap” of the retaining clip moving into place.
3. Replace the base grille.
4. Press Power On/Off Switch to the “ON” position. (See page 5 for instructions.)

## LIGHT BULBS

### Light bulbs are located behind the Refrigerator and Freezer Controls:

1. Press Power On/Off switch to the “OFF” position. (See page 5 for instructions.)
2. Reach behind control panel.
3. Unscrew bulb and replace it with a 40-watt, incandescent, medium-base, tubular bulb.
4. Press Power On/Off Switch to the “ON” position. (See page 5 for instructions.)

### Light bulbs above ice storage bin:

1. Press Power On/Off switch to the “OFF” position. (See page 5 for instructions.)
2. Unscrew bulb and replace it with a 40-watt, incandescent, medium-base, tubular bulb.
3. Press Power On/Off Switch to the “ON” position. (See page 5 for instructions.)

**IMPORTANT:** Be sure to press Power On/Off Switch to the “ON” position after changing light bulb(s).

# UNDERSTANDING THE SOUNDS YOU MAY HEAR

Your new refrigerator may make sounds that your old one didn't make. Because the sounds are new to you, you might be concerned about them. Most of the new sounds are normal. Hard surfaces like the floor, walls, and cabinets can make the sounds seem louder than they actually are. Due to new product designs, there may be sounds that you are not familiar with. The following chart describes the kinds of sounds that might be new to you and what may be making them.

SOUNDS IN YOUR REFRIGERATOR

SOUNDS/OBSERVATIONS	CAUSES
<b>Hum or hiss</b>	The refrigerator fan motor and moving air.
<b>Clicking or snapping sounds</b>	The thermostat makes a definite click when the refrigerator stops running. It also makes a sound when the refrigerator starts.  The defrost timer will click when the defrost cycle starts and stops.
<b>Ice maker sounds</b> • trickling water • clatter of ice	You may hear buzzing (from the water valve), trickling water, and the clatter of ice falling into the bin.
<b>Running sounds</b>	The high-efficiency compressor and motor will run longer than older designs. The internal fan may occasionally run when the compressor is off.
<b>Trickling water/water sounds</b>	During the defrost cycle, the refrigerator will not be running. The trickling water is the frost accumulated on the freezer coil melting and running into the defrost pan. When the refrigerator stops running, you will hear gurgling in the tubing for a few minutes.
<b>Warm air from upper ventilation panel/base grille</b>	You may feel air blowing from behind the upper ventilation panel and base grille when the refrigerator is running. This is normal.

## SAVING ENERGY

You can help your refrigerator use less electricity.

- Clean the condenser coils regularly.
- Open the door as few times as possible. Think about what you need before you open the door. Get everything out at one time. Keep food organized so you won't have to search for what you want. Close door as soon as food is removed.
- Fill up the refrigerator, but don't overcrowd it so air movement is blocked.
- It is a waste of electricity to set the refrigerator and freezer to temperatures colder than they need to be. If ice cream is firm in the freezer and drinks are as cold as your family likes them, that's cold enough.

# CARING FOR YOUR REFRIGERATOR

## ⚠ WARNING



### Explosion Hazard

**Use nonflammable cleaner.**

**Failure to do so can result in death, explosion, or fire.**

Your refrigerator is built to give you many years of dependable service. However, there are a few things you can do to help extend its product life. This section tells you how to clean your refrigerator and what to do when going on vacation, moving, or during a power outage.

## CLEANING YOUR REFRIGERATOR



The refrigerator and freezer compartments defrost automatically. However, clean both once a month to prevent odors from building up. Wipe up spills immediately.

Before cleaning, disconnect the refrigerator from its power supply by pressing the Power On/Off Switch to the

“OFF” position (see page 5 for instructions). Then, take out all removable parts and clean the refrigerator according to the directions given below. Be sure to press the Power On/Off Switch to the “ON” position when you are finished cleaning. (See page 5 for instructions.)

PROBLEM	WHAT TO USE	HOW TO CLEAN
Removable parts (shelves, crisper, etc.)	Sponge or cloth with mild detergent and warm water	Hand wash and dry thoroughly.
Outside	Sponge, cloth, or paper towel with mild detergent, warm water, and a good appliance wax (or good auto paste wax)	Wash outside of cabinet. Do not use abrasive or harsh cleaners. Wipe and dry thoroughly. Wax painted metal surfaces at least twice a year. Apply wax with a clean, soft cloth. <b>Waxing painted metal surfaces provides rust protection.</b> <b>Do not wax plastic parts.</b>
Inside walls (allow freezer to warm up so cloth won't stick)	Sponge, soft cloth, or paper towel with baking soda or mild detergent and warm water	Wash with mixture of warm water and: <ul style="list-style-type: none"> <li>• mild detergent, or</li> <li>• baking soda (2 tbs to 1 qt [26 g to .95 L] of water).</li> </ul> Wipe and dry thoroughly.
Door liners and gaskets	Sponge, soft cloth, or paper towel with mild detergent and warm water	Wipe and dry thoroughly. <b>DO NOT USE cleaning waxes, concentrated detergents, bleaches, or cleaners containing petroleum on plastic parts.</b> <b>Do Not</b> wipe sponge or cloth across the row of holes underneath the Deli Locker. Food particles could fall into holes and cause damage.
Plastic parts (covers and panels)	Soft, clean sponge or soft, clean cloth with mild detergent and warm water	Wipe and dry thoroughly. <b>DO NOT USE paper towels, window sprays, scouring cleansers, or flammable fluids. These can scratch or damage material. See “Important Safety Instructions” on page 3.</b>
Defrost pan	Sponge or cloth with mild detergent and warm water	Press Power On/Off Switch to the “OFF” position. (See page 5.) Remove base grille. (See page 13.) Reach into small opening at right edge and remove the defrost pan. (See page 13.) Wash, rinse, and dry thoroughly. Replace defrost pan. Make sure to push it completely into the opening. Replace base grille. Press Power On/Off Switch to the “ON” position. (See page 5.)

# CARING FOR YOUR REFRIGERATOR

PART	WHAT TO USE	HOW TO CLEAN
Condenser coils	Vacuum cleaner with extended narrow attachment	Remove upper ventilation panel to expose condenser coils. (See page 5.) Vacuum coils when dusty or dirty. Coils may need to be cleaned as often as every other month. Replace upper ventilation panel.
Base grille	Vacuum cleaner with brush attachment	Vacuum base grille.
Stainless steel	A professional stainless steel cleaner	Follow directions included with cleaner.

## VACATION AND MOVING CARE

### Short vacations

If you will be away for less than four weeks, use these tips to prepare your refrigerator before you leave.

1. Use up any perishables and freeze other items.
2. If your refrigerator has an automatic ice maker:
  - Raise wire arm to “OFF” (up) position.
  - Shut off water supply to the ice maker.
3. Empty the ice bin.

### Long vacations

If you will be gone for a month or more, follow these steps to prepare your refrigerator.

1. Remove all food from the refrigerator.
2. If your refrigerator has an automatic ice maker:
  - Turn off the water supply to the ice maker at least one day ahead of time.
  - When the last load of ice drops, turn off the ice maker. Make sure all ice is dispensed out of the ice maker mechanism.
3. Unplug the refrigerator.
4. Clean it, wipe it, and dry well.
5. Tape rubber or wood blocks to the tops of both doors to prop them open far enough for air to get in. This stops odor and mold from building up.

### Moving

If the refrigerator must be moved, contact the dealer from whom you purchased the unit or your local KitchenAid-designated servicer.

## POWER INTERRUPTIONS

If electricity goes off, call the power company. Ask how long power will be off.

1. If power will be interrupted 24 hours or less, **keep both doors closed**. This helps food stay cold and frozen.
2. If service will be interrupted longer than 24 hours:
  - (a) Remove all frozen food and store in a frozen food locker.

### OR

(b) Place 2 lbs. (900 g) of dry ice in freezer for every cubic foot (28 liters) of freezer space. This will keep food frozen for two to four days. Wear gloves to protect your hands from dry ice burns.

### OR

(c) If neither a food locker nor dry ice is available, use or can perishable food at once.

**Remember:** A full freezer stays cold longer than a partly filled one. A freezer full of meat stays cold longer than a freezer full of baked goods. If food contains ice crystals, it may be safely refrozen, although the quality and flavor may be affected. If the condition of the food is poor, or if you feel it is unsafe, dispose of it.

### Questions?

Call our Consumer Assistance Center telephone number, **1-800-235-0665**, from anywhere in the U.S.A. or Canada.



# FOOD STORAGE GUIDE

There is a correct way to package and store refrigerated or frozen food.

To keep food fresher, longer, take the time to study these recommended steps.

## STORING FRESH FOOD

Wrap or store food in the refrigerator in airtight and moisture-proof material unless otherwise noted. This prevents food odor and taste transfer throughout the refrigerator. For dated products, check code date to ensure freshness.

### Butter or margarine

Keep opened butter in covered dish or closed compartment. When storing an extra supply, wrap in freezer packaging and freeze.

### Cheese

Store in the original wrapping until you are ready to use it. Once opened, rewrap tightly in plastic wrap or aluminum foil.

### Milk

Wipe milk cartons. Store gallon jugs in bottom door bin.

### Eggs

Store on interior shelf. An egg storage container is provided for your convenience.

### Fruit

Wash, let dry, and store in refrigerator in plastic bags or crisper. Do not wash or hull berries until they are ready to use. Sort and keep berries in original container in a crisper, or store in a loosely closed paper bag on a refrigerator shelf.

### Leafy vegetables

Remove store wrapping and trim or tear off bruised and discolored areas. Wash in cold water and drain. Place in plastic bag or plastic container and store in crisper.

### Vegetables with skins (carrots, peppers)

Place in plastic bags, or plastic container and store in crisper.

### Fish

Use fresh fish and shellfish the same day as purchased.

### Meat

Store most meat in original wrapping as long as it is airtight and moisture-proof. Rewrap if necessary. See the following for storage times. When storing meat longer than the times given, freeze the meat.

Chicken .....	1-2 days
Ground beef .....	1-2 days
Variety meats.....	1-2 days
Cold cuts .....	3-5 days
Steaks/roasts.....	3-5 days
Bacon .....	5-7 days
Cured meats.....	7-10 days

### Leftovers

Cover leftovers with plastic wrap or aluminum foil. Plastic containers with tight lids can also be used.

**NOTE: Keep your refrigerator smelling fresh with an open box of baking soda.**

# FOOD STORAGE GUIDE

## STORING FROZEN FOOD

The freezer section is designed for storing commercially frozen food and for freezing food at home.

**NOTE:** For further information about preparing food for freezing or food storage times, check a freezer guide or reliable cookbook.

### Packaging

Successful freezing depends on the correct packaging. When you close and seal the package you must not allow air or moisture in or out. If you do, you could have food odor and taste transfer throughout the refrigerator, and also dry out frozen food.

#### Packaging recommendations:

- Rigid plastic containers with tight-fitting lids
- Straight-sided canning/freezing jars
- Heavy-duty aluminum foil
- Plastic-coated paper
- Non-permeable plastic wraps (made from saran film)
- Specified freezer self-sealing plastic bags

Follow package or container instructions for proper freezing methods.

#### Do not use:

- Bread wrappers
- Non-polyethylene plastic containers
- Containers without tight lids
- Wax paper or wax-coated freezer wrap
- Thin, semi-permeable wrap

### Freezing

Your freezer will not quick-freeze any large quantity of food. Put no more unfrozen food into the freezer than will freeze within 24 hours (about 2 to 3 lbs of food per cubic foot [907-1,350 g per liter] of freezer space).

Leave enough space in the freezer for air to circulate around packages. Also leave enough room at the front so the door can close tightly.

Storage times vary according to the quality and type of food, the type of packaging used (airtight and moisture-proof), and the storage temperature. Ice crystals inside a sealed package are normal. It means that moisture in the food and air inside the package have condensed, creating ice crystals.

**NOTE:** Allow hot foods to cool at room temperature for 30 minutes, then package and freeze. Cooling hot foods before freezing saves energy.

# TROUBLESHOOTING GUIDE

You can solve many common refrigerator problems easily, saving you the cost of a possible service call. Try the suggestions below to see if you can solve your

problem without outside help. If the suggestions do not work, please call the KitchenAid Consumer Assistance Center.

## Your refrigerator will not operate

CHECK IF ...	THEN ...
The power supply cord is unplugged.	Firmly plug the cord into a live outlet with proper voltage.
A household fuse has blown or circuit breaker has tripped.	Replace the fuse or reset the circuit.
The Freezer Control is turned to the "OFF" position.	Refer to the "Setting temperature controls" section.
The refrigerator is defrosting.	Recheck to see if the refrigerator is operating in 30 minutes. Your refrigerator will regularly run an automatic defrost cycle.
	If it is still not running after checking the above items, call the Consumer Assistance Center.

## The lights do not work

CHECK IF ...	THEN ...
The power supply cord is unplugged.	Firmly plug the cord into a live outlet with proper voltage.
A household fuse or circuit breaker has tripped.	Replace the fuse or reset the circuit.
A light bulb is loose in the socket.	Turn the Freezer Control to "OFF." Disconnect the refrigerator from the electrical supply. Gently remove the bulb and reinsert. Then reconnect the refrigerator to the electrical supply and reset the Freezer Control.
A light bulb has burned out.	Replace with an appliance bulb of the same wattage, size, and shape. See the "Changing the light bulbs" section.

## There is water in the defrost drain pan

CHECK IF ...	THEN ...
The refrigerator is defrosting.	The water will evaporate. It is normal for water to drip into the defrost pan.
It is more humid than normal.	Expect that the water in the defrost pan will take longer to evaporate. This is normal when it is hot or humid.
Water in the defrost pan is overflowing.	Check to make sure your refrigerator is level. (See the "Leveling" section in the Installation Instructions.) If it is still overflowing, there is probably something wrong with the refrigerator. Call the Consumer Assistance Center.

# TROUBLESHOOTING GUIDE

## The motor seems to run too much

CHECK IF ...	THEN ...
The room temperature is hotter than normal.	Expect the motor to run longer under warm conditions. At normal room temperatures, expect your motor to run about 40% to 80% of the time. Under warmer conditions, expect it to run even more of the time.
A large amount of food has just been added to the refrigerator.	Adding a large amount of food warms the refrigerator. It is normal for the motor to run longer in order to cool the refrigerator back down. Refer to the “Food Storage Guide” section.
The door is opened often.	Expect the motor to run longer when this occurs. In order to conserve energy, try to get everything you need out of the refrigerator at once, keep food organized so it is easy to find, and close the door as soon as the food is removed.
The controls are not set correctly for the surrounding conditions.	Refer to the “Setting temperature controls” section.
The doors are not closed completely.	Push the doors firmly shut. If they will not shut all the way, see “The doors will not close completely,” later in this section.
The base grille is dirty or blocked.	This prevents air circulation and makes the motor work harder. Remove the grille and clean.
The condenser coils are dirty.	This prevents air transfer and makes the motor work harder. Clean the condenser coils. Refer to the “Cleaning your refrigerator” section.
The door gaskets are not sealed all the way around.	Contact a qualified person or a technician.  If the problem is not due to any of the above, remember that your new refrigerator will run longer than your old one due to its high-efficiency motor.

## The refrigerator seems to make too much noise

CHECK IF ...	THEN ...
The sounds and noises are common for new refrigerators.	Refer to the “Understanding the sounds you may hear” section.

# TROUBLESHOOTING GUIDE

## The ice maker is not producing ice

CHECK IF ...	THEN ...
The freezer temperature is not cold enough to produce ice.	Refer to the “Setting temperature controls” section.
The ice maker arm is in the “OFF” (arm up) position.	Lower arm to the “ON” (arm down) position. Refer to the “Ice maker operation” section.
The water line shutoff valve to the refrigerator is not turned on.	Turn on the water valve.
An ice cube is jammed in the ejector arm.	Remove the ice from the ejector arm with a plastic utensil. Refer to the “Ice maker operation” section.
The ice maker mold has no water in it or no ice has been produced.	Check to see if your refrigerator has been connected to your home water supply and the supply shutoff valve is turned on.  If not due to any of the above, there may be a problem with the water line. Contact the Consumer Assistance Center.

## The ice maker is producing too little ice

CHECK IF ...	THEN ...
The ice maker has just been installed.	Wait 72 hours for full ice production to begin. Once your refrigerator is cooled down, the ice maker should begin producing 56-72 cubes every 24 hours.
A large amount of ice has just been removed.	Allow 24 hours for ice maker to produce more ice.
The controls are not set correctly.	Refer to the “Setting temperature controls” section.
The water shutoff valve is not turned completely on.	Turn valve on fully. Refer to the “Ice maker operation” section.
There is a water filter installed on the refrigerator. This filter may be clogged or installed incorrectly.	First, check the filter installation instructions to ensure that the filter was installed correctly and is not clogged. If installation or clogging is not a problem, call a qualified person or a technician.

## Off-taste or odor in the ice

CHECK IF ...	THEN ...
The plumbing connections are new, causing discolored or off-flavored ice.	Discard the first few batches of ice.
The ice cubes have been stored for too long.	Throw old ice away and make a new supply.
Food in the freezer has not been wrapped properly.	Refer to the “Storing frozen food” section.
Freezer and ice bin need to be cleaned.	Refer to the “Cleaning your refrigerator” section.
Water contains minerals (such as sulfur).	A filter may need to be installed to remove the minerals.

# TROUBLESHOOTING GUIDE

## The divider between the two compartments is warm

CHECK IF ...	THEN ...
The condenser coils or base grille are dirty or clogged.	Clean according to the “Cleaning your refrigerator” section.
The motor has quit working.	See “Your refrigerator will not operate” earlier in this section. <b>NOTE:</b> The refrigerator temperature may turn from warm to hot.
	If not due to any of the above, the warmth is probably due to normal operation of the automatic exterior moisture control. If still concerned, call the Consumer Assistance Center or a designated KitchenAid service company.

## Temperature is too warm

CHECK IF ...	THEN ...
The door(s) are opened often.	Be aware that the refrigerator will warm when this occurs. In order to keep the refrigerator cool, try to get everything you need out of the refrigerator at once, keep food organized so it is easy to find, and close the door as soon as the food is removed.
A large amount of food has just been added to the refrigerator or freezer.	Adding a large amount of food warms the refrigerator. It can take several hours for the refrigerator to return to the normal temperature.
The controls are not set correctly for the surrounding conditions.	Refer to the “Setting temperature controls” section.

## There is interior moisture build-up

CHECK IF ...	THEN ...
The door is opened often.	To avoid humidity build-up, try to get everything you need out of the refrigerator at once, keep food organized so it is easy to find, and close the door as soon as the food is removed. (When the door is opened, humidity from the room air enters the refrigerator. The more often the door is opened, the faster humidity builds up, especially when the room itself is very humid.)
The room is humid.	It is normal for moisture to build up inside the refrigerator when the room air is humid.
The food is not packaged correctly.	Check that all food is securely wrapped. If necessary, repackage food according to the guidelines in the “Food Storage Guide” section. Wipe off damp food containers before placing in the refrigerator.
The controls are not set correctly for the surrounding conditions.	Refer to the “Setting temperature controls” section.
A self-defrost cycle was completed.	It is normal for droplets to form on the back wall after the refrigerator self-defrosts.

# TROUBLESHOOTING GUIDE

## The doors will not close completely

CHECK IF ...	THEN ...
Food packages are blocking the door open.	Rearrange containers so that they fit more tightly and take up less space.
The ice bin is out of position.	Push the ice bin in all the way.
The pans, shelves, bins, or baskets are out of position.	Put all pans, shelves, bins, and baskets back into their correct position.
The gaskets are dirty.	Clean gaskets according to the directions in the “Caring for Your Refrigerator” section.
The doors were removed during product installation and not properly replaced.	Remove and replace the door, or contact a qualified person.

## The doors are difficult to open

CHECK IF ...	THEN ...
The gaskets are dirty or sticky.	Clean gaskets according to the directions in the “Caring for Your Refrigerator” section.

# REQUESTING ASSISTANCE OR SERVICE

To avoid unnecessary service calls, please check the “Troubleshooting Guide” section. It may save you the cost of a service call. If you still need help, follow the instructions below.

## If you need assistance or service in U.S.A.

Call the KitchenAid Consumer Assistance Center toll-free at 1-800-235-0665. Our consultants are available to assist you.



When calling: Please know the purchase date, and the complete model and serial number of your appliance (see the “A Note to You” section). This information will help us better respond to your request.

### Our consultants provide assistance with:

- Features and specifications on our full line of appliances
- Installation information
- Use and maintenance procedures
- Accessory and repair parts sales
- Specialized customer assistance (Spanish speaking, hearing impaired, limited vision, etc.)
- Referrals to local dealers, service companies, and repair parts distributors

**KitchenAid-designated service technicians** are trained to fulfill the product warranty and provide after-warranty service, anywhere in the United States.

To locate the KitchenAid-designated service company in your area, you can also look in your telephone directory Yellow Pages.

## If you need replacement parts

If you need to order replacement parts, we recommend that you only use factory-designated parts. These parts will fit right and work right, because they are made to the same exacting specifications used to build every new KitchenAid® appliance.

To locate factory-designated parts in your area, call our Consumer Assistance Center telephone number, your nearest designated service center, or KitchenAid Factory Service at 1-800-442-1111.

## For further assistance

If you need further assistance, you can write to KitchenAid with any questions or concerns at:

KitchenAid Brand Home Appliances  
Consumer Assistance Center  
c/o Correspondence Dept.  
2000 North M-63  
Benton Harbor, MI 49022-2692

Please include a daytime phone number in your correspondence.



# REQUESTING ASSISTANCE OR SERVICE

Before calling for assistance or service, please check the “Troubleshooting Guide” section. It may save you the cost of a service call. If you still need help, follow the instructions below.

## If you need assistance or service in Canada

### 1. If the problem is not due to one of the items listed in “Troubleshooting Guide”†...



Contact the dealer from whom you purchased your appliance, or call the KitchenAid Canada Consumer Assistance Centre toll-free, 8:30 a.m. – 6 p.m. (EST), at 1-800-235-0665.

### 2. If you need service†...

Contact your nearest KitchenAid Canada Appliance Service branch or designated servicing outlet to service your appliance. (See list below.)

Make sure the service company you contact is designated to service your appliance during the warranty period.

† When asking for assistance or service, please provide a detailed description of the problem, your appliance’s complete model and serial numbers, and the purchase date. (See the “A Note to You” section.) This information will help us respond properly to your request.

## KITCHENAID CANADA APPLIANCE SERVICE – CONSUMER SERVICES

### Direct service branches:

<b>BRITISH COLUMBIA</b>		1-800-665-6788
<b>ALBERTA</b>		1-800-661-6291
<b>ONTARIO</b> (except 807 area code)	Ottawa area	1-800-267-3456
	Outside the Ottawa area	1-800-807-6777
<b>MANITOBA, SASKATCHEWAN</b> and 807 area code in ONTARIO		1-800-665-1683
<b>QUEBEC</b>	Montreal (except South Shore)	1-800-361-3032
	South Shore Montreal	1-800-361-0950
	Quebec City	1-800-463-1523
	Sherbrooke	1-800-567-6966
<b>ATLANTIC PROVINCES</b>		1-800-565-1598

### For further assistance

If you need further assistance, you can write to KitchenAid Canada with any questions or concerns at:

Consumer Relations Department  
KitchenAid Canada  
1901 Minnesota Court  
Mississauga, Ontario L5N 3A7

Please include a daytime phone number in your correspondence.

# BUILT-IN REFRIGERATOR WARRANTY



LENGTH OF WARRANTY:	KITCHENAID WILL PAY FOR:	KITCHENAID WILL NOT PAY FOR:
<b>TWO YEAR FULL WARRANTY FROM DATE OF INSTALLATION</b>	Replacement parts and repair labor costs to correct defects in materials or workmanship. Service must be provided by a KitchenAid–designated servicing outlet. Replacement parts and labor costs to correct defects in light bulbs, one year.	<b>A.</b> Service calls to: <ol style="list-style-type: none"> <li>1. Correct the installation of the refrigerator.</li> <li>2. Instruct you how to use the refrigerator.</li> <li>3. Replace house fuses or correct house wiring.</li> <li>4. Replace house plumbing.</li> </ol> <b>B.</b> Repairs when refrigerator is used in other than normal home use. <b>C.</b> Damage resulting from accident, alteration, misuse, abuse, improper installation, or installation not in accordance with local electrical codes or plumbing codes. <b>D.</b> Any food loss due to product failure. <b>E.</b> Any labor costs during the limited warranty. <b>F.</b> Replacement parts or repair labor costs for units operated outside the United States or Canada. <b>G.</b> Repairs to parts or systems resulting from unauthorized modifications made to the appliance. <b>H.</b> Removal and replacement of trim or decorative panels that interfere with servicing the product. <b>I.</b> Labor or parts installed by any non-designated service company during the full warranty period, unless approved by KitchenAid before service is performed. <b>J.</b> Any medicine loss due to product failure.
<b>THIRD THROUGH SIXTH YEAR FULL WARRANTY FROM DATE OF INSTALLATION</b>	Replacement parts and repair labor costs to correct defects in materials or workmanship in the sealed refrigeration system. These parts are: 1. Compressor; 2. Evaporator; 3. Condenser; 4. Drier; 5. Connecting Tubing. Service must be provided by a KitchenAid–designated servicing outlet.	
<b>SEVENTH THROUGH TWELFTH YEAR LIMITED WARRANTY FROM DATE OF INSTALLATION</b>	Replacement parts to correct defects in materials or workmanship in the sealed refrigeration system. These parts are: 1. Compressor; 2. Evaporator; 3. Condenser; 4. Drier; 5. Connecting Tubing.	
<b>LIFETIME LIMITED WARRANTY ON SLIDE ‘N’ LOCK™ REFRIGERATOR DOOR BINS</b>	Replacement parts to correct defects in materials or workmanship in the refrigerator door bins.	

11/99

**KITCHENAID AND KITCHENAID CANADA DO NOT ASSUME ANY RESPONSIBILITY FOR INCIDENTAL OR CONSEQUENTIAL DAMAGES.**

Some states or provinces do not allow the exclusion or limitation of incidental or consequential damages, so this exclusion or limitation may not apply to you.

**This warranty gives you specific legal rights, and you may also have other rights which may vary from state to state or province to province.**

**Outside the United States and Canada, a different warranty may apply. For details, please contact your authorized KitchenAid dealer.**

If you need service, first see the “Troubleshooting Guide” section of this book. After checking the “Troubleshooting Guide,” additional help can be found by checking the “Requesting Assistance or Service” section or by calling our Consumer Assistance Center, **1-800-235-0665** (toll-free), from anywhere in the U.S.A. or Canada.

RÉFRIGÉRATEUR ENCASTRÉ DE  
91,4 CM (36 PO) AVEC  
CONGÉLATEUR À LA BASE



**KitchenAid**<sup>®</sup>  
BIEN PENSÉ, BIEN FABRIQUÉ<sup>®</sup>

# TABLE DES MATIÈRES

	Page
<b>Note à l'utilisateur</b> .....	2
<b>Sécurité du réfrigérateur</b> .....	3
Mise au rebut appropriée de votre vieux réfrigérateur .....	3
<b>Pièces et caractéristiques</b> .....	4
<b>Utilisation du réfrigérateur</b> .....	5
Enlèvement du panneau de ventilation inférieur ....	5
Enlèvement du panneau de ventilation supérieur ...	5
Utilisation de l'interrupteur de marche/arrêt .....	5
Système de contrôle de la température .....	6
Extendfresh <sup>MC</sup> .....	6
Commandes des réglages de température .....	6
Ampoules d'éclairage.....	6
<b>Caractéristiques du réfrigérateur</b> .....	7
Balconnets dans la porte Slide 'N' Lock <sup>MC</sup> et espace pour gallon.....	7
Tablettes réglables en verre SpillClean <sup>MC</sup> du réfrigérateur .....	7
Tiroir à spécialités alimentaires FreshChill <sup>MC</sup> .....	7
Bacs à légumes transparents ClearVue <sup>MC</sup> à humidité contrôlée .....	8
Oeufrier transparent ClearVue <sup>MC</sup> avec couvercle .....	9
Casier à vin .....	9
<b>Caractéristiques du congélateur</b> .....	10
Machine à glaçons automatique.....	10
Solution des problèmes courants de la machine à glaçons.....	10
Conseils pour l'utilisation de la machine à glaçons .....	11
Paniers amovibles du congélateur .....	12
Grille de la base.....	13
Plat de dégivrage.....	13
Ampoules d'éclairage.....	13
<b>Bruits de l'appareil que vous pouvez entendre</b> .....	14
Économie d'énergie .....	14
<b>Entretien du réfrigérateur</b> .....	15
Nettoyage du réfrigérateur .....	15
Entretien avant les vacances ou lors d'un déménagement.....	17
Pannes de courant.....	18
<b>Guide de conservation des aliments</b> .....	19
Conservation d'aliments frais.....	19
Conservation d'aliments congelés.....	20
<b>Dépannage</b> .....	21
<b>Demande d'assistance ou de service</b> .....	26
<b>Demande d'assistance ou de service au Canada</b> .....	27
<b>Garantie</b> .....	28

## NOTE À L'UTILISATEUR

### Merci d'avoir acheté un appareil électroménager KitchenAid®.

KitchenAid conçoit les meilleurs appareils pour la pièce la plus importante de votre domicile. Pour que le produit puisse vous procurer de nombreuses années de fonctionnement sans souci, nous avons mis au point ce Guide d'utilisation et d'entretien. Il contient de nombreux renseignements qui vous aideront à utiliser et à faire l'entretien de votre appareil, convenablement et en sécurité. Veuillez le lire attentivement.

Veuillez aussi remplir et retourner la **carte d'inscription du produit** fournie avec votre appareil. Cette carte nous aidera à vous tenir au courant de tout nouveau renseignement au sujet de votre appareil électroménager.

#### Inscrivez ces renseignements concernant votre modèle.

Veuillez inscrire les renseignements suivants au sujet de votre réfrigérateur pour mieux obtenir assistance ou service en cas de besoin. Vous devrez connaître les numéros de modèle et de série complets. Ces renseignements sont indiqués sur la plaque signalétique.

Si vous avez besoin d'assistance ou de service, voir d'abord la section "Dépannage" de ce livret. Après avoir vérifié la section "Dépannage", on peut obtenir une aide supplémentaire en vérifiant la section "Demande d'assistance ou de service".

#### Nom du marchand

---

#### Adresse

---

#### Numéro de téléphone

---

#### Numéro de modèle

---

#### Numéro de série

---

#### Date d'achat

---

(Voir la section "Pièces et caractéristiques" pour l'emplacement de la plaque signalétique.)

**Conservez ce manuel et votre reçu de vente pour référence ultérieure.**

# SÉCURITÉ DU RÉFRIGÉRATEUR

## Votre sécurité et celle des autres est très importante.

Nous donnons de nombreux messages de sécurité importants dans ce manuel et sur votre appareil ménager. Assurez-vous de toujours lire tous les messages de sécurité et de vous y conformer.



Ce symbole d'alerte de sécurité vous signale les dangers susceptibles de causer le décès et des blessures graves à vous et à d'autres. Tous les messages de sécurité seront précédés du symbole d'alerte de sécurité et du mot "DANGER" ou "AVERTISSEMENT". Ces mots signifient :

## **! DANGER**

Risque certain de décès ou de blessure grave si vous ne suivez pas les instructions.

## **! AVERTISSEMENT**

Risque possible de décès ou de blessure grave si vous ne suivez pas les instructions.

Tous les messages de sécurité identifient le danger et vous disent comment réduire le risque de blessure et ce qui peut se produire en cas de non-respect des instructions.

## IMPORTANTES INSTRUCTIONS DE SÉCURITÉ

**AVERTISSEMENT** : Pour réduire les risques d'incendie, de choc électrique ou de blessures lors de l'utilisation du réfrigérateur, prendre quelques précautions fondamentales, y compris les suivantes :

- Brancher l'appareil sur une prise à 3 alvéoles reliée à la terre.
- Ne pas enlever la broche de liaison à la terre.
- Ne pas utiliser un adaptateur.
- Ne pas utiliser un câble de rallonge.
- Débrancher la source de courant électrique avant l'entretien.
- Enlever les portes de votre vieux réfrigérateur.
- Utiliser un produit de nettoyage ininflammable seulement.
- Ne pas installer le réfrigérateur près d'un four, radiateur ou autre source de chaleur.
- Garder les matériaux et les vapeurs inflammables, tels que l'essence, loin du réfrigérateur.
- Deux personnes ou plus doivent déplacer et installer le réfrigérateur.
- Débrancher le réfrigérateur avant l'installation de la machine à glaçons.

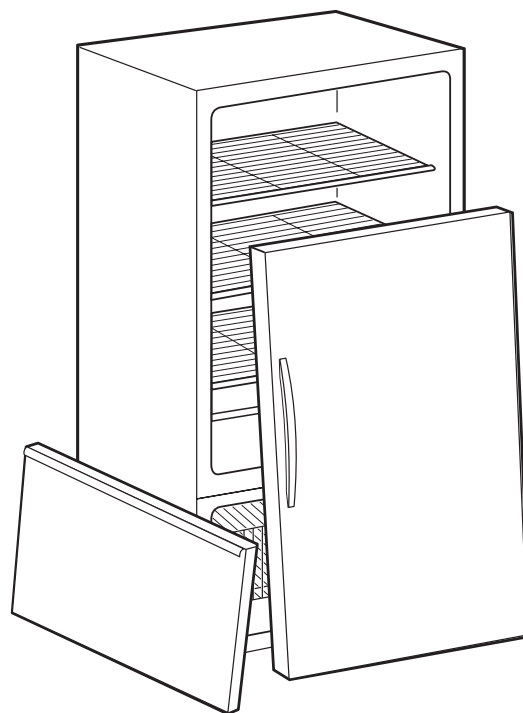
**- CONSERVEZ CES INSTRUCTIONS -**

## Mise au rebut appropriée de votre vieux réfrigérateur

## **! AVERTISSEMENT**

### Risque de suffoquer

**Enlever les portes de votre vieux réfrigérateur. Le non-respect de cette instruction peut causer un décès ou des lésions cérébrales.**



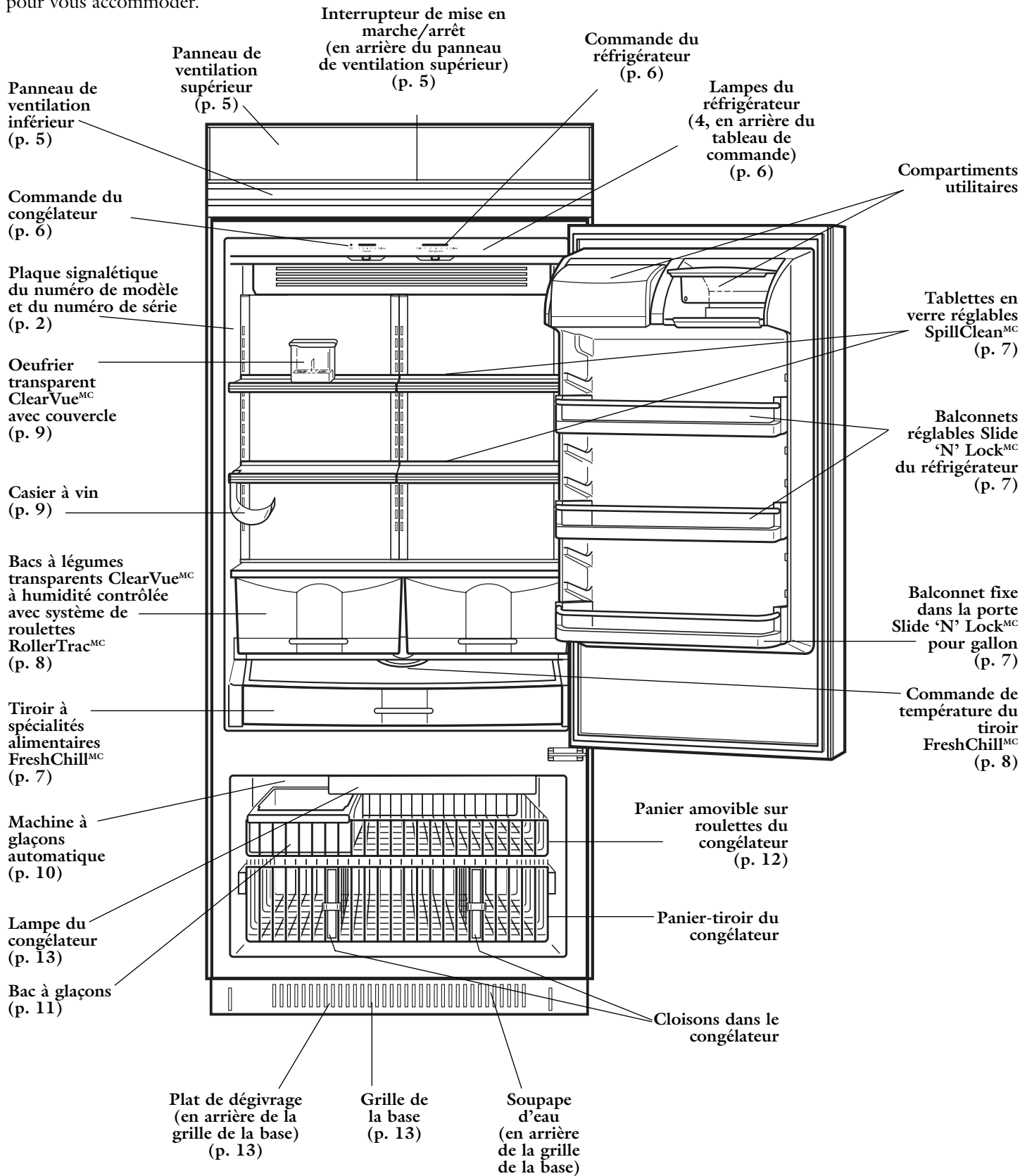
**IMPORTANT** – L'emprisonnement et l'étouffement des enfants ne sont pas un problème du passé. Les réfrigérateurs jetés ou abandonnés sont encore dangereux, même s'ils sont laissés abandonnés pendant "quelques jours seulement". Si vous vous débarrassez de votre vieux réfrigérateur, veuillez suivre les instructions suivantes pour aider à éviter les accidents.

### **AVANT DE JETER VOTRE VIEUX RÉFRIGÉRATEUR OU CONGÉLATEUR :**

- Enlever les portes.
- Laisser les tablettes en place de sorte que les enfants ne peuvent pas y pénétrer facilement.

# PIÈCES ET CARACTÉRISTIQUES

Cette section contient une illustration du réfrigérateur. Servez-vous de cette illustration pour mieux connaître les pièces et caractéristiques. Les références de page sont incluses pour vous accommoder.



# UTILISATION DU RÉFRIGÉRATEUR

Pour obtenir le meilleur service possible du réfrigérateur, il est important de l'utiliser d'une manière appropriée. Cette section décrit comment régler les commandes, comment enlever et ajuster les accessoires du réfrigérateur et comment minimiser la consommation d'énergie.

## ⚠ AVERTISSEMENT



### Risque de choc électrique

**Brancher sur une prise à 3 alvéoles reliée à la terre.**

**Ne pas enlever la broche de liaison à la terre.**

**Ne pas utiliser un adaptateur.**

**Ne pas utiliser un câble de rallonge.**

**Le non-respect de ces instructions peut causer un décès, un incendie ou un choc électrique.**

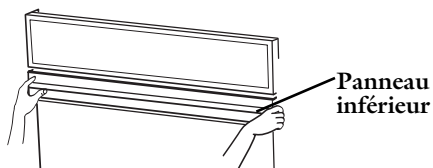
## ⚠ AVERTISSEMENT



### Risque d'explosion

**Garder les matériaux et les vapeurs inflammables tels que l'essence loin du réfrigérateur.**

**Le non-respect de cette instruction peut causer un décès, une explosion ou un incendie.**



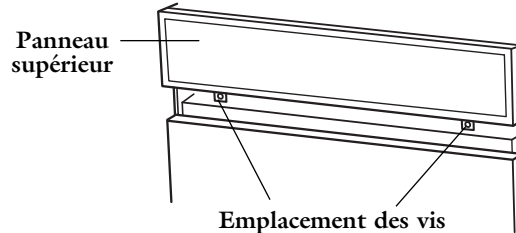
## Enlèvement du panneau de ventilation inférieur

### Pour enlever le panneau :

1. Saisir les deux extrémités du panneau inférieur.
2. Pousser directement vers le haut, ensuite le retirer directement vers l'extérieur.

### Pour replacer le panneau :

1. Insérer les crochets (situés à l'arrière du panneau inférieur) dans les fentes sur la garniture latérale.
2. Appuyer légèrement sur le panneau inférieur vers le bas pour l'enclencher en place.



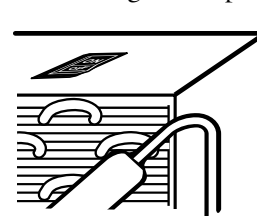
## Enlèvement du panneau de ventilation supérieur

### Pour enlever le panneau :

1. Enlever le panneau de ventilation inférieur tel que décrit sur cette page.
2. Enlever les deux vis hex. avec une douille de 1/4 po.
3. Saisir les deux extrémités du panneau supérieur.
4. Retirer le panneau directement vers le bas ensuite directement vers l'extérieur.

### Pour replacer le panneau :

1. Insérer les crochets (situés à l'arrière du panneau supérieur) dans les fentes sur la garniture latérale.
2. Pousser le panneau directement vers le haut jusqu'à ce que les trous soient alignés. Replacer les vis hex.



## Utilisation de l'interrupteur mise en marche/arrêt (On/Off)

L'interrupteur marche/arrêt est situé à l'arrière des panneaux de ventilation. Il est utilisé pour interrompre l'alimentation électrique au réfrigérateur lors du nettoyage ou du remplacement des ampoules d'éclairage.

### Pour interrompre le courant électrique :

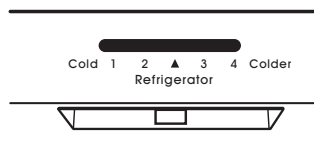
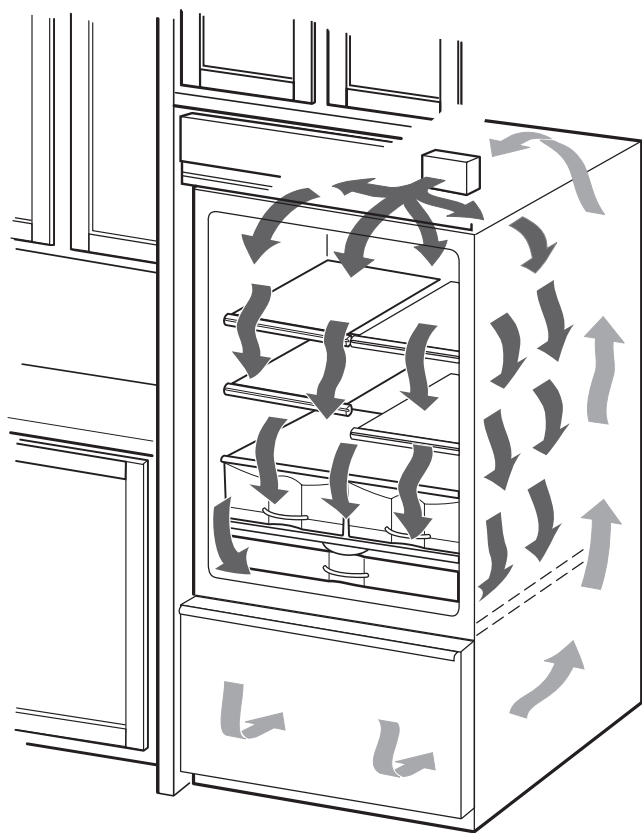
1. Enlever les panneaux de ventilation inférieur et supérieur.
2. Mettre l'interrupteur marche/arrêt à la position "OFF" (ARRÊT).

### Pour activer le courant électrique :

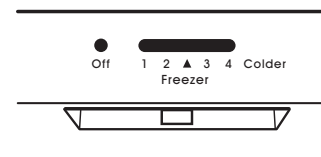
1. Mettre l'interrupteur marche/arrêt à la position "ON" (MISE EN MARCHÉ).
2. Réinstaller les panneaux inférieur et supérieur de ventilation.

**IMPORTANT :** S'assurer que l'interrupteur marche/arrêt est à la position "ON" après le nettoyage du réfrigérateur ou du remplacement des ampoules d'éclairage.

# UTILISATION DU RÉFRIGÉRATEUR



Commande du réfrigérateur



Commande du congélateur

## Commandes des réglages de la température

Les commandes du réfrigérateur et du congélateur ont été pré-réglées à l'usine. Ces réglages devraient être corrects pour l'utilisation normale d'un réfrigérateur dans une maison. Laisser le réfrigérateur fonctionner pendant 24 heures pour refroidir les deux sections avant de changer les réglages. Si possible, attendre d'ajouter des aliments après la période de 24 heures. L'addition d'aliments avant le refroidissement complet du réfrigérateur pourrait causer une prolongation du temps nécessaire pour atteindre la température désirée et certains aliments pourraient se gâter. Après 24 heures, régler les commandes un chiffre à la fois, tel que désiré. "1" est le réglage le moins froid et "4" est le réglage le plus froid. Laisser le réfrigérateur fonctionner pendant 24 heures après chaque changement de réglage.

### Pour changer un réglage de température :

Ajuster la commande du réfrigérateur et/ou du congélateur.

- Pour rendre le réfrigérateur ou le congélateur plus froid, glisser le bouton de commande vers la droite.
- Pour rendre le réfrigérateur ou le congélateur moins froid, glisser le bouton de commande vers la gauche.

**Remarque :** Tourner les commandes à des réglages de chiffres plus élevés ne refroidira pas les sections plus rapidement.

**IMPORTANT :** Le réglage "OFF" (ARRÊT) sur la commande du congélateur fait cesser tout refroidissement dans le réfrigérateur, mais ne débranche pas le réfrigérateur de la source d'alimentation électrique.

## AMPOULES D'ÉCLAIRAGE

**Les ampoules d'éclairage sont situées en arrière des commandes du réfrigérateur et du congélateur :**

1. Mettre l'interrupteur marche/arrêt à la position "OFF". (Voir instructions à la page 5.)
2. Atteindre l'espace en arrière du tableau de commande.
3. Dévisser l'ampoule et la remplacer par une ampoule tubulaire incandescente à base moyenne de 40 watts,
4. Mettre l'interrupteur marche/arrêt à la position "ON". (Voir instructions à la page 5.)

**IMPORTANT :** Veiller à mettre l'interrupteur marche/arrêt à la position "ON" après le changement de l'ampoule (des ampoules).

## SYSTÈME DE CONTRÔLE DE LA TEMPÉRATURE EXTENDFRESH<sup>MC</sup>

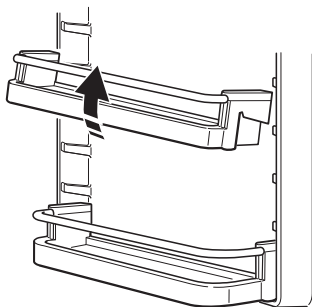
Le Système de contrôle de la température ExtendFresh<sup>MC</sup> contrôle la température dans le congélateur et le réfrigérateur et aussi indépendamment dans le congélateur. Le système aide à prolonger la fraîcheur des aliments dans le réfrigérateur en réagissant aux changements de température aussi bas que 1°F. Contrairement à la plupart des réfrigérateurs sur le marché aujourd'hui, le système ExtendFresh<sup>MC</sup> utilise un ventilateur SMART<sup>MC</sup> pour transférer immédiatement l'air froid du congélateur au réfrigérateur pour une réaction plus rapide aux changements de température, sans le besoin du fonctionnement du compresseur. De plus, en surveillant le congélateur et les compartiments d'aliments frais à toutes les 82 secondes, le système maintient des températures constantes qui sont moins affectées par les changements de température externes, tels que les changements saisonniers et les thermostats programmables dans les domiciles.



# CARACTÉRISTIQUES DU RÉFRIGÉRATEUR

## BALCONNETS RÉGLABLES SLIDE 'N' LOCK<sup>MC</sup> ET BALCONNET FIXE POUR GALLON DANS LA PORTE

Les deux balconnets supérieurs peuvent contenir des bouteilles de deux litres et peuvent être repositionnés dans la porte du réfrigérateur. Seulement le balconnet à la base de la porte est fixe et extra profond pour un contenant d'un gallon.



### Pour enlever le balconnet :

1. Soulever le balconnet.
2. Retirer le balconnet directement vers l'extérieur.

### Pour réinstaller le balconnet :

1. Insérer les crochets du balconnet dans les fentes superposées aux deux côtés de la porte du réfrigérateur.
2. Pousser le balconnet de la porte et l'abaisser jusqu'à l'arrêt.

## TABLETTES RÉGLABLES EN VERRE SPILLCLEAN<sup>MC</sup> DU RÉFRIGÉRATEUR

Ajuster les tablettes pour qu'elles correspondent à votre utilisation du réfrigérateur.

**IMPORTANT :** Ne pas nettoyer les tablettes en verre dans l'eau tiède quand elles sont froides. Les tablettes peuvent casser si elles sont exposées à des changements de température soudains ou à un impact. Pour votre protection, le verre trempé est conçu pour éclater en d'innombrables petits morceaux. Ceci est normal.

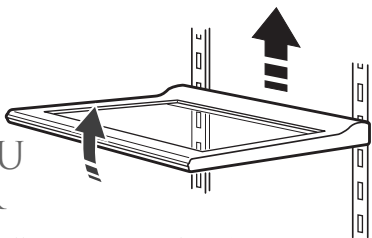
### Pour enlever la tablette :

1. Incliner la tablette vers le haut à l'avant et soulever la tablette à l'arrière.
2. Retirer la tablette directement vers l'extérieur.

**IMPORTANT :** Les tablettes en verre sont lourdes. Les manipuler prudemment.

### Pour réinstaller la tablette :

1. Guider les crochets arrière de la tablette vers les crans d'appui sur la paroi à l'arrière du réfrigérateur.
2. Incliner le devant de la tablette vers le haut jusqu'à ce que les crochets arrière de la tablette descendent dans les crans. Abaisser le devant de la tablette en position.
3. Vérifier la stabilité de la tablette pour vous assurer que les crochets sont bien insérés.



## TIROIR À SPÉCIALITÉS ALIMENTAIRES FRESHCHILL<sup>MC</sup> À TEMPÉRATURE CONTRÔLÉE, AVEC SYSTÈME DE GLISSIÈRES ROLLERTRAC<sup>MC</sup> PLUS

Le tiroir à spécialités alimentaires FreshChill<sup>MC</sup> est conçu pour fournir des températures d'entreposage plus froides que la température moyenne du réfrigérateur. En maintenant une gamme de température de 28°F à 32°F, le tiroir à spécialités alimentaires prolonge la conservabilité des viandes fraîches et refroidit rapidement les boissons. Ce tiroir est assez grand pour y placer verticalement une canette de boisson de 12 oz et y entreposer de grands plats d'aliments pour réception. Le tiroir à spécialités alimentaires FreshChill<sup>MC</sup> peut être enlevé pour le nettoyage.

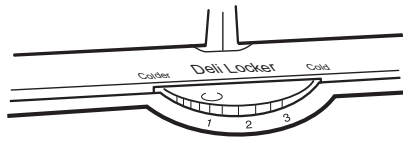
### Pour retirer le tiroir à spécialités alimentaires:

1. Rouler le tiroir vers l'extérieur jusqu'à la butée.
2. Soulever légèrement le devant du tiroir.
3. Retirer le tiroir complètement vers l'extérieur.

### Pour réinstaller le tiroir à spécialités alimentaires:

1. Positionner les roulettes du tiroir entre la roulette avant de la glissière et la glissière.
2. Soulever le tiroir et le déposer sur la glissière.
3. Faire glisser le tiroir vers l'arrière jusqu'à l'arrêt.

# CARACTÉRISTIQUES DU RÉFRIGÉRATEUR

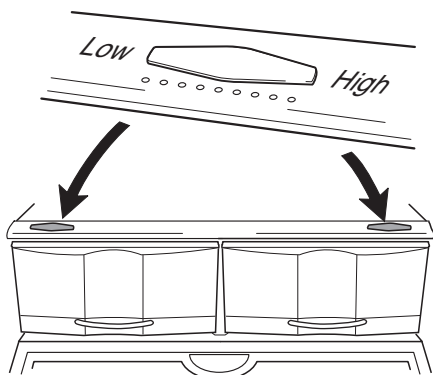


## Réglage de la commande de température du tiroir à spécialités alimentaires FreshChill<sup>MC</sup>

La commande de température du tiroir FreshChill vous permet de régler la température d'entreposage du tiroir FreshChill.

L'air froid se répand dans le tiroir FreshChill au moyen d'un conduit d'air entre le congélateur et le réfrigérateur. Le Réglage des commandes laisse pénétrer plus ou moins d'air froid dans le conduit d'air. Régler la commande à "Cold" (Froid) pour fermer le conduit d'air.

**IMPORTANT :** Si un aliment gèle dans le tiroir FreshChill, tiroir utilitaire ou bac à légumes, tourner le réglage de la température du tiroir FreshChill à "Cold" (froid).

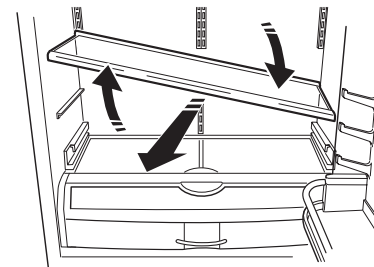


## BACS À LÉGUMES TRANSPARENTS CLEARVUE<sup>MC</sup> À HUMIDITÉ CONTRÔLÉE, AVEC SYSTÈME ROLLERTRAC<sup>MC</sup>

Les bacs à légumes à humidité contrôlée sont conçus pour garder frais plus longtemps les légumes et les fruits. Les réglages du bac à légumes sont situés à l'avant des tablettes des bacs. Les commandes ajustent l'humidité dans les tiroirs. Glisser la commande à "HIGH" (ÉLEVÉ) pour la laitue, chou et autres produits avec feuilles. Glisser la commande à "LOW" (FAIBLE) pour pommes, poires et autres produits avec pelure.

Les bacs à humidité contrôlée sont interchangeables. Les espaces transparents ClearVue<sup>MC</sup> permettent de voir dans les bacs sans la nécessité de les ouvrir

**IMPORTANT :** De temps à autre, un aliment peut geler dans le tiroir FreshChill<sup>MC</sup>, le tiroir utilitaire, ou bac à légumes. Dans ces situations, tourner la commande de température du tiroir FreshChill à COLD (FROID).

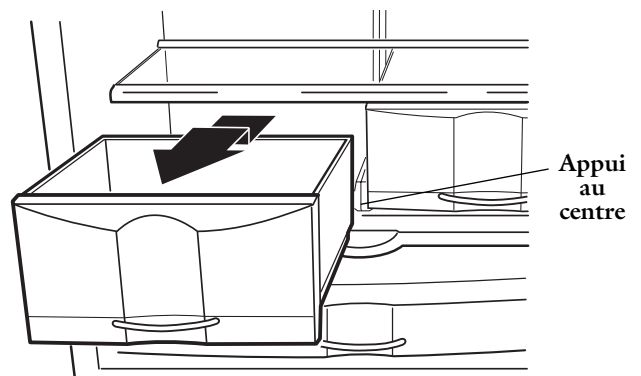


### Pour enlever le couvercle du bac :

1. Retirer les aliments sur le couvercle du bac.
2. Ouvrir les deux bacs d'environ quatre pouces.
3. Saisir le dessous de la tablette en verre avec les deux mains et la soulever délicatement jusqu'à ce que l'arrière de la tablette soit dégagé.
4. Incliner la tablette à un angle et enlever la tablette du réfrigérateur en évitant de frapper le verre.

### Pour réinstaller le couvercle du bac :

1. En tenant la tablette fermement avec les deux mains, incliner la tablette à un angle et la placer au-dessus des glissières d'appui.
2. Placer délicatement la tablette sur la glissière d'appui à la paroi latérale.
3. Remplacer les aliments sur le couvercle des bacs.



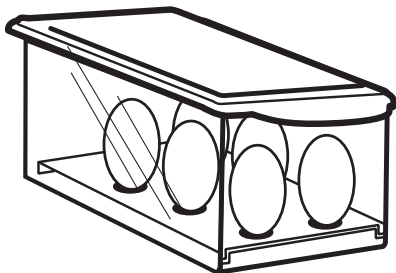
### Pour enlever les deux bacs :

1. Rouler le bac vers l'extérieur jusqu'à la butée.
2. Soulever le devant du bac et retirer le reste complètement.

### Pour réinstaller les deux bacs :

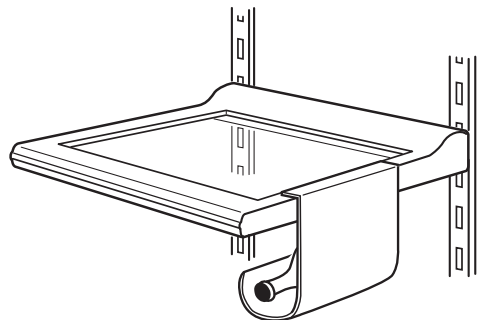
1. Placer les roulettes arrière du bac dans l'avant du guide.
2. Pousser le bac droit vers l'arrière.

# CARACTÉRISTIQUES DU RÉFRIGÉRATEUR



## OEUFRIER TRANSPARENT CLEARVUE<sup>MC</sup> AVEC COUVERCLE ET TRANSPORTEUR

L'oeufrier avec couvercle et transporteur fournit plus de protection pour garder les oeufs n'importe où dans la section de réfrigération. L'oeufrier transparent ClearVue<sup>MC</sup> permet de voir combien d'oeufs vous avez en réserve.



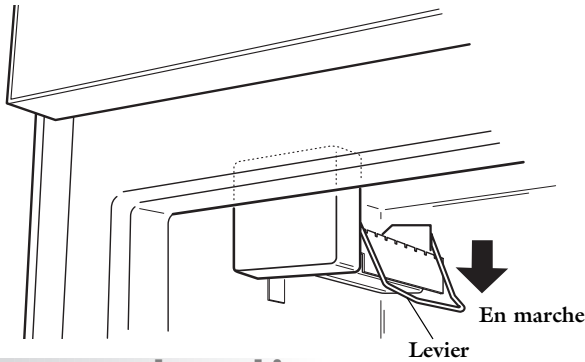
## CASIER À VIN

Insérer le casier à vin en position en le glissant entre une tablette et la paroi du réfrigérateur.

# CARACTÉRISTIQUES DU CONGÉLATEUR

## MACHINE À GLAÇONS AUTOMATIQUE

**IMPORTANT :** La machine à glaçons est expédiée de l'usine avec le levier à la position OFF (ARRÊT) vers le haut. Il est recommandé que la machine à glaçons soit laissée à la position OFF pendant les 24 premières heures après la mise en marche du réfrigérateur. Cette période permettra au compartiment du congélateur et à la machine à glaçons d'atteindre la température appropriée avant de fabriquer des glaçons.



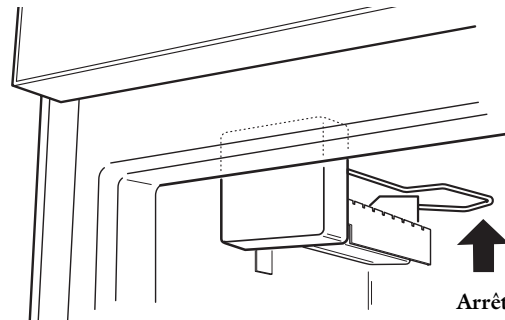
### Pour mettre la machine à glaçons en marche :

- Abaisser le levier à la position "ON" (EN MARCHÉ)
- La machine à glaçons se remplit d'eau et commence à former des glaçons. Accorder 24 heures pour produire la première quantité de glaçons. La machine à glaçons devrait alors produire de 7 à 9 quantités de glaçons dans une période de 24 heures dans des conditions normales.

## Jeter les trois premières quantités de glaçons

Lorsque les glaçons sont formés, ils tombent dans le bac à glaçons. Lorsque ce bac est rempli, le levier de la machine à glaçons se soulève à la position "OFF" (ARRÊT).

**Remarque :** Les réfrigérateurs sont dotés d'une machine à glaçons installée à l'usine. La machine à glaçons est partiellement dissimulée par le devant du congélateur.



### Pour arrêter la machine à glaçons :

- Soulever le levier de la machine à glaçons jusqu'au moment où vous éprouvez un enclenchement à la position "OFF" (ARRÊT).
- Ne pas forcer le levier vers le haut ou le bas. Ne pas garder quoi que ce soit sur le dessus de la machine à glaçons ou dans le bac à glaçons.

## Solution aux problèmes courants de la machine à glaçons

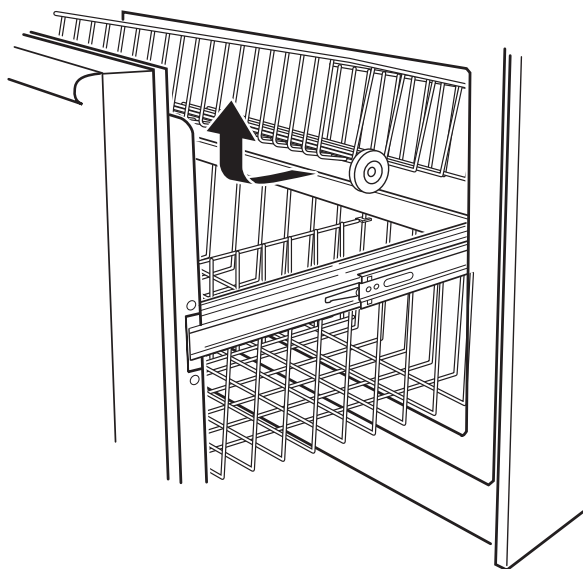
PROBLÈME	CAUSE POSSIBLE/SOLUTION
Croissants de glace fixés aux coins	Ceci est normal. Ils se séparent facilement. Secouer le bac à glaçons de temps à autre pour garder les glaçons séparés.
La machine à glaçons ne fonctionne pas ou les glaçons ne sont pas fabriqués assez vite.	Le levier ON/OFF est à la position « OFF » (vers le haut). Abaisser le levier à la position ON (vers le bas). Le congélateur n'est pas assez froid. Régler les commandes de température et attendre 24 heures. (Voir « Réglage des commandes de température » à la page 6.) Le tube de cuivre est écrasé ou déformé. Vérifier la canalisation d'eau.
Mauvais goût ou odeur dans les glaçons	Les raccords de plomberie sont neufs et causent une décoloration et un mauvais goût des glaçons. Jeter les quelques premières quantités de glaçons. Les glaçons ont été gardés trop longtemps. Les jeter et en fabriquer une nouvelle quantité. Les aliments ne sont pas bien emballés. Voir page 18. Le congélateur et le bac à glaçons ont besoin d'être nettoyés. Voir page 15. L'eau contient des minéraux (tel que le soufre). Un filtre peut être requis afin d'enlever les minéraux.

# CARACTÉRISTIQUES DU CONGÉLATEUR

## Conseils pour l'utilisation de la machine à glaçons

PROBLÈME	CAUSE	SOLUTION
<b>Mauvais goût ou odeur dans les glaçons</b>	La glace attire les odeurs dans l'air; vieux glaçons	Jeter les vieux glaçons et en fabriquer une nouvelle quantité; garder l'excès de glaçons dans un contenant avec couvercle.
	Qualité de l'eau	Pour obtenir les meilleurs résultats, éviter de raccorder la machine à glaçons à un approvisionnement d'eau adoucie. Si un approvisionnement d'eau adoucie ne peut pas être évité, s'assurer que l'adoucisseur d'eau est en bon état et fonctionne convenablement.
	Les aliments ne sont pas bien enveloppés	Bien envelopper les aliments dans des matériaux hermétiques et à l'épreuve de l'humidité. Voir page 18.
	Le bac à glaçons et le congélateur peuvent avoir besoin de nettoyage	Nettoyer le congélateur et le bac à glaçons. Voir « Nettoyage du réfrigérateur » à la page 15 pour les instructions.
	Canalisation d'eau à la machine à glaçons	Observer les instructions d'installation pour la connexion appropriée de l'approvisionnement de l'eau à la machine à glaçons.
	Machine à glaçons neuve	Les quelques premières quantités de glaçons d'une machine à glaçons neuve peuvent avoir un mauvais goût. Jeter ces glaçons et en fabriquer une nouvelle quantité.

# CARACTÉRISTIQUES DU CONGÉLATEUR



## PANIER AMOVIBLES DU CONGÉLATEUR

### Pour enlever le panier supérieur :

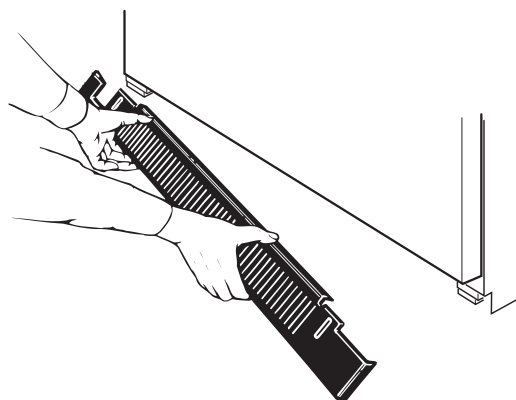
1. Arrêter la machine à glaçons.
2. Retirer le panier hors du congélateur.
3. Soulever le panier pour l'extraire.

### Pour replacer le panier supérieur :

1. Placer l'arrière du panier dans les glissières de la tablette.
2. Abaisser le devant du panier et le pousser dans le congélateur.
3. Mettre la machine à glaçons en marche.

**IMPORTANT :** S'assurer que les deux côtés du panier sont dans les glissières de la tablette avant de le remplir d'aliments.

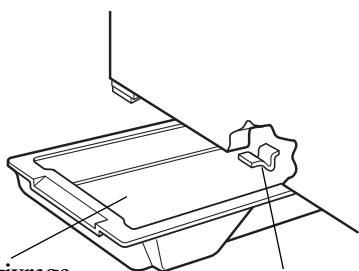
# CARACTÉRISTIQUES DU CONGÉLATEUR



## GRILLE DE LA BASE

### Pour extraire la grille de la base :

1. Enlever une vis à chaque extrémité de la grille de la base.
2. Enlever la grille de la base.
3. La replacer dans l'ordre inverse.



Plat de dégivrage

Pince de retenue

## PLAT DE DÉGIVRAGE

Le plat de dégivrage est situé derrière la grille de la base, vers le côté gauche du réfrigérateur.

### Pour enlever le plat de dégivrage :

1. Mettre l'interrupteur marche/arrêt à la position « OFF » (ARRÊT). (Voir instructions à la page 5).
2. Enlever la grille de la base. (Voir instructions ci-dessus.)
3. Repérer la pince de retenue sous le réfrigérateur.
4. Appuyer sur la pince. En même temps, glisser le plat de dégivrage vers l'avant pour le retirer complètement.
5. Nettoyer le plat de dégivrage. (Voir instructions à la page 15.)

### Pour replacer le plat de dégivrage :

1. Placer le bord du plat de dégivrage à environ 17,8 cm (7 po) du côté gauche du réfrigérateur.
2. Soulever le plat de dégivrage pour le glisser dans les rainures et le pousser vers l'arrière jusqu'à l'enclenchement dans la pince de retenue pour le placer en position.
3. Replacer la grille de la base.
4. Mettre l'interrupteur marche/arrêt à la position « ON » (MARCHE). (Voir instructions à la page 5).

## AMPOULES D'ÉCLAIRAGE

### Les ampoules d'éclairage sont situées en arrière des commandes du réfrigérateur et du congélateur :

1. Mettre l'interrupteur marche/arrêt à la position « OFF » (ARRÊT). (Voir instructions à la page 5.)
2. Accéder à l'arrière du tableau de commande.
3. Dévisser l'ampoule et la remplacer par une ampoule tubulaire incandescente à base moyenne de 40 watts.
4. Mettre l'interrupteur marche/arrêt à la position « ON » (MARCHE). (Voir instructions à la page 5.)

### Ampoules d'éclairage au-dessus du bac à glaçons.

1. Mettre l'interrupteur marche/arrêt à la position « OFF » (ARRÊT). (Voir instructions à la page 5.)
2. Dévisser l'ampoule et la remplacer par une ampoule tubulaire incandescente à base moyenne de 40 watts.
3. Appuyer sur l'interrupteur de courant On/Off à la position « ON » (MARCHE). (Voir instructions à la page 5.)

**IMPORTANT :** S'assurer que l'interrupteur marche/arrêt est à la position « ON » (MARCHE) après le remplacement de l'ampoule ou des ampoules.

# BRUITS DE L'APPAREIL QUE VOUS POUVEZ ENTENDRE

Il est possible que le réfrigérateur neuf émette des bruits que votre ancien appareil ne produisait pas. Comme ces bruits sont nouveaux, ils peuvent vous inquiéter. La plupart de ces nouveaux bruits sont normaux. Des surfaces dures comme le plancher, les murs et les armoires peuvent faire paraître les bruits plus forts. Par suite de l'évolution dans la conception des nouveaux produits, certains bruits peuvent ne pas vous être familiers. Le tableau suivant décrit les genres de bruits qui peuvent être nouveaux pour vous et leur source.

<b>BRUITS/OBSERVATIONS</b>	<b>CAUSES</b>
<b>Bourdonnement ou sifflement</b>	Le moteur du ventilateur du réfrigérateur et le déplacement d'air.
<b>Bruits d'enclenchement ou de fixation</b>	Le thermostat émet des déclics lorsque le réfrigérateur cesse de fonctionner. Il émet également un déclic lorsque le réfrigérateur se met en marche. La minuterie du dégivreur produit un déclic au début et à la fin du programme de dégivrage.
<b>Bruits de la machine à glaçons</b> <ul style="list-style-type: none"><li>• Écoulement de l'eau</li><li>• Entrechoquement de glaçons</li></ul>	On peut entendre un bourdonnement (du robinet d'eau), l'eau qui coule et le bruit de glaçons qui tombent dans le bac.
<b>Bruits de fonctionnement</b>	Le compresseur et le moteur à haute efficacité fonctionneront plus longtemps que ceux des modèles plus anciens. Le ventilateur interne peut occasionnellement fonctionner lorsque le compresseur est arrêté.
<b>Bruits d'eau qui dégoutte ou coule</b>	Au cours du programme de décongélation, le réfrigérateur ne fonctionnera pas. L'eau qui coule lentement provient du givre accumulé sur les serpentins du congélateur, qui fond et coule dans le plat de dégivrage. Lorsque le réfrigérateur cesse de fonctionner, vous entendrez un gargouillement dans la canalisation pendant quelques minutes.
<b>De l'air chaud provient du panneau de ventilation supérieur/grille de la base</b>	On peut entendre de l'air qui souffle provenant de l'arrière du panneau supérieur de ventilation et de la grille de la base lorsque le réfrigérateur fonctionne. Ceci est normal.



# ENTRETIEN DU RÉFRIGÉRATEUR

## ÉCONOMIE D'ÉNERGIE :

Il y a des moyens de faire en sorte que votre réfrigérateur utilise moins d'électricité.

- Nettoyer régulièrement les serpentins du condenseur.
- Ouvrir la porte le moins souvent possible. Penser à vos besoins avant d'ouvrir la porte. Retirer tout ce qu'il vous faut en même temps. Garder les aliments organisés pour vous éviter de chercher ce que vous voulez. Fermer la porte aussitôt que les aliments sont retirés.
- Remplir le réfrigérateur, mais ne pas l'encombrer car la circulation de l'air devient bloquée.
- C'est un gaspillage d'électricité de régler le réfrigérateur et le congélateur à une température plus froide que nécessaire. Si la crème glacée est ferme dans le congélateur et si les boissons sont aussi froides que votre famille les aime, cette température est suffisante.

## **⚠ AVERTISSEMENT**



### **Risque d'explosion**

**Utiliser un produit de nettoyage ininflammable.  
Le non-respect de cette instruction peut causer  
un décès, une explosion ou un incendie.**

Votre réfrigérateur est construit pour vous donner de nombreuses années de service fiable. Toutefois, il y a certaines choses que vous pouvez faire pour aider à prolonger sa vie utile. Cette section vous dit comment nettoyer le réfrigérateur et quoi faire lorsque vous partez en vacances, déménagez ou durant une panne de courant.

## NETTOYAGE DU RÉFRIGÉRATEUR



Les sections du réfrigérateur et du congélateur se dégivrent automatiquement. Toutes deux doivent cependant être nettoyées environ une fois par mois afin de prévenir l'accumulation d'odeurs. Essuyer immédiatement les produits renversés.

Avant le nettoyage, débrancher le réfrigérateur de la source d'alimentation électrique en mettant l'interrupteur marche/arrêt à la position OFF (ARRÊT) (voir instructions à la page 5.) Ensuite, enlever toutes les pièces amovibles et nettoyer le réfrigérateur d'après les directives données ci-dessous. S'assurer que l'interrupteur marche/arrêt est à la position "ON" (MARCHE) lorsque le nettoyage est terminé. (Voir instructions à la page 5.)

# ENTRETIEN DU RÉFRIGÉRATEUR

PROBLÈME	QUOI UTILISER	COMMENT NETTOYER
Pièces amovibles (tablettes, bacs, etc.)	Éponge ou linge avec un détergent doux et de l'eau tiède	Laver à la main et sécher à fond.
Extérieur	Éponge, linge ou essuie-tout en papier avec un détergent doux, de l'eau tiède et une bonne cire pour appareils électroménagers (ou cire en pâte de qualité pour automobiles)	Laver l'extérieur de la caisse. Ne pas utiliser de nettoyeurs abrasifs ou rudes.  Essuyer et sécher à fond.  Cirer les surfaces métalliques peintes au moins deux fois par année. Appliquer la cire avec un linge propre et doux. <b>Le cirage de surfaces métalliques peintes fournit une protection antirouille.</b>  <b>Ne pas cirer les pièces en plastique.</b>
Parois intérieures (le congélateur doit être assez tiède pour que le chiffon n'adhère pas)	Éponge, linge doux ou essuie-tout en papier avec bicarbonate de sodium ou un détergent doux et de l'eau tiède	Laver avec un mélange d'eau tiède et de : détergent doux, ou bicarbonate de sodium (2 c. à soupe [26 g] pour une 1 pinte [0,95 L] d'eau).  Essuyer et sécher à fond.
Garnitures et joints des portes	Éponge, linge doux ou essuie-tout en papier avec un détergent doux et de l'eau tiède	Essuyer et sécher à fond.  <b>NE PAS UTILISER de cires de nettoyage, de détergents concentrés, d'eau de Javel ni de nettoyeurs contenant du pétrole sur les pièces en plastique.</b> <b>Ne pas passer une éponge ou un linge sur la rangée des orifices sous le tiroir à spécialités alimentaires. Des particules alimentaires pourraient tomber dans les orifices et causer des dommages.</b>
Pièces en plastique (couverts et panneaux)	Éponge douce et propre ou linge doux et propre avec un détergent doux et de l'eau tiède	Essuyer et sécher à fond. <b>NE PAS UTILISER d'essuie-tout en papier, de nettoyeurs à vitre en atomiseur, de nettoyeurs à récurer ou de liquides inflammables. Ces produits risquent d'égratigner ou d'endommager le matériau. Voir « Importantes instructions de sécurité » à la page 3.</b>
Plat de dégivrage	Éponge ou linge avec un détergent doux et de l'eau tiède	Mettre l'interrupteur marche/arrêt à la position "OFF" (ARRÊT). (Voir page 5.)  Enlever la grille de la base. (Voir page 13.)  Atteindre la petite ouverture du côté droit et retirer le plat de dégivrage. (Voir page 13.)  Laver, rincer et sécher à fond.  Replacer le plat de dégivrage. S'assurer de le pousser complètement dans l'ouverture.  Replacer la grille de la base.  Mettre l'interrupteur marche/arrêt à la position "ON" (MARCHE). (Voir page 5.)

# ENTRETIEN DU RÉFRIGÉRATEUR

PIÈCE	QUOI UTILISER	COMMENT NETTOYER
Serpentins du condenseur	Aspirateur avec un accessoire étroit et long	Enlever le panneau supérieur de ventilation pour exposer les serpentins du condenseur. (Voir page 5.)  Passer l'aspirateur sur les serpentins lorsqu'ils sont poussiéreux ou sales. Les serpentins peuvent avoir besoin d'être nettoyés aussi souvent que tous les deux mois.  Replacer le panneau de ventilation supérieur.
Grille de la base	Nettoyage avec aspirateur et brosse	Passer l'aspirateur sur la grille de la base.
Acier inoxydable	Un nettoyant professionnel pour acier inoxydable	Suivre les directives incluses avec le nettoyant.

## ENTRETIEN AVANT LES VACANCES OU LORS D'UN DÉMÉNAGEMENT

### Vacances courtes

Si vous vous absentez pendant moins de quatre semaines, observer ces conseils pour préparer votre réfrigérateur avant votre départ.

1. Consommer tous les aliments périssables et congeler les autres articles au congélateur.
2. Si votre réfrigérateur a une machine à glaçons automatique :
  - Soulever le bras de la machine à glaçons à la position OFF (ARRÊT).
  - Fermer l'approvisionnement d'eau à la machine à glaçons.
3. Vider le bac à glaçons.

### Longues vacances

Si vous vous absentez pendant un mois ou plus, observer ces conseils pour préparer votre réfrigérateur avant les vacances.

1. Enlever tous les aliments du réfrigérateur.
2. Si votre réfrigérateur a une machine à glaçons automatique :
  - Fermer l'approvisionnement d'eau à la machine à glaçons au moins une journée à l'avance.
  - Lorsque la dernière quantité de glaçons tombe, arrêter la machine à glaçons. S'assurer que tous les glaçons sont distribués hors du mécanisme de la machine à glaçons.
3. Débrancher le réfrigérateur.
4. Nettoyer le réfrigérateur, l'essuyer et bien le sécher.
5. À l'aide d'un ruban adhésif, placer des blocs de caoutchouc ou de bois dans la partie supérieure de chaque porte de façon à ce qu'elles soient suffisamment ouvertes pour permettre la circulation de l'air à l'intérieur, afin d'éviter l'accumulation d'odeur ou de moisissure.

### Déménagement

Si le réfrigérateur doit être déménagé, contacter le marchand où vous avez acheté l'appareil ou votre centre de service autorisé KitchenAid.

# ENTRETIEN DU RÉFRIGÉRATEUR

## PANNES DE COURANT

En cas de panne de courant, téléphoner à la compagnie d'électricité pour demander la durée de l'interruption de l'alimentation électrique.

1. Si le service doit être interrompu durant 24 heures ou moins, **garder les deux portes fermées** pour aider les aliments à demeurer froids et congelés.
2. Si le service doit être interrompu pendant plus de 24 heures :  
(a Retirer tous les aliments congelés et les entreposer dans un entrepôt frigorifique.

**OU**

(b) Placer 900 g (2 lb) de neige carbonique dans le congélateur pour chaque pied cube (28 litres) d'espace du congélateur. Cette quantité permettra de garder les aliments congelés durant deux à quatre jours. Porter des gants pour protéger les mains contre les morsures de la glace lorsque vous employez de la neige carbonique.

**OU**

(c) S'il n'y a pas d'entrepôt frigorifique ni de neige carbonique, consommer ou mettre immédiatement en conserve les aliments périssables.

**À noter :** Un congélateur plein restera froid plus longtemps qu'un congélateur partiellement rempli. Un congélateur plein de viandes demeure froid plus longtemps qu'un congélateur rempli de pains et de pâtisseries. Si les aliments contiennent des cristaux de glace, ils peuvent être remis à congeler sans danger même si la qualité et la saveur risquent d'être affectées. Si les aliments semblent de piètre qualité ou douteux, les jeter.

### Questions?

Téléphoner à notre Centre d'assistance aux consommateurs en composant **1-800-235-0665** de partout aux É.-U. ou au Canada.

# GUIDE DE CONSERVATION DES ALIMENTS

Il existe une façon correcte d'emballer et de conserver les aliments au réfrigérateur ou au congélateur.

Pour garder les aliments plus frais plus longtemps, prendre le temps d'étudier ces étapes recommandées.

## CONSERVATION DES ALIMENTS FRAIS

Des aliments placés au réfrigérateur doivent être enveloppés ou gardés dans un emballage hermétique et à l'épreuve de l'humidité à moins d'indications contraires. Ceci empêche l'odeur et le goût des aliments de se répandre dans tout le réfrigérateur. Pour des produits datés vérifier les dates indiquées pour s'assurer de la fraîcheur des aliments.

### Beurre ou margarine

Garder le beurre entamé dans un beurrier muni d'un couvercle ou dans un compartiment fermé. Lors de la conservation de quantités supplémentaires, utiliser un emballage pour congélateur et faire congeler.

### Fromage

Conserver dans son emballage original jusqu'à l'emploi. Une fois le paquet ouvert, réemballer hermétiquement le fromage dans une pellicule en plastique ou du papier d'aluminium.

### Lait

Essuyer les contenants de lait. Placer les contenants de un gallon dans le balconnet au bas de la porte.

### Oeufs

Garder sur une tablette inférieure. Un oeufrier est fourni pour vous accommoder.

### Fruits

Laver, laisser sécher et mettre au réfrigérateur dans des sacs en plastique ou dans le bac à légumes. Ne pas laver ni équeuter les petits fruits avant le moment de leur utilisation. Les trier et les conserver dans l'emballage original dans le bac à légumes ou les conserver sur une tablette du réfrigérateur dans un sac en papier fermé sans être serré.

### Légumes à feuilles

Retirer l'emballage original et couper ou éliminer les sections endommagées et décolorées. Laver à l'eau froide et égoutter. Placer dans un sac ou un contenant en plastique et ranger dans le bac à légumes.

### Légumes à pelure (carottes, poivrons)

Placer dans des sacs ou contenants en plastique et ranger dans le bac à légumes.

### Poisson

Utiliser le poisson et les fruits de mer frais le jour même de leur achat.

### Viande

La plupart des viandes peuvent être conservées dans leur emballage original tant que cet emballage est hermétique et à l'épreuve de l'humidité. Emballer de nouveau si nécessaire. Voir le tableau suivant pour les périodes de conservation. Si la viande doit être conservée pour une période plus longue que la durée donnée, faire congeler la viande.

Poulet . . . . .	.1 à 2 jours
Boeuf haché . . . . .	.1 à 2 jours
Charcuterie . . . . .	.1 à 2 jours
Viandes froides . . . . .	.3 à 5 jours
Steaks/rôtis . . . . .	.3 à 5 jours
Bacon . . . . .	.5 à 7 jours
Viandes traitées . . . . .	.7 à 10 jours

### Les restes

Couvrir les restes avec de la pellicule en plastique ou du papier d'aluminium. Il est convenable aussi d'utiliser des contenants en plastique avec couvercle hermétique.

**REMARQUE :** Garder une boîte de bicarbonate de sodium ouverte pour maintenir l'odeur de fraîcheur dans votre réfrigérateur.

## CONSERVATION DES ALIMENTS CONGELÉS

La section du congélateur est conçue pour le rangement d'aliments congelés commercialement et pour congeler des aliments à domicile.

**REMARQUE :** Pour plus de renseignements au sujet de la préparation des aliments pour la congélation ou pour les temps de conservation d'aliments, consulter un guide pour congélateur ou un livre de cuisine fiable.

### Emballage

Le secret d'une congélation efficace réside dans l'emballage. Il doit être fermé et scellé de façon à empêcher la pénétration et l'évacuation de l'air ou de l'humidité. Toute autre méthode d'emballage risque d'entraîner la propagation des saveurs et des odeurs dans tout le réfrigérateur et l'assèchement des aliments congelés.

#### Recommandations pour l'emballage :

- Contenants rigides en plastique avec couvercle hermétique
- Bocaux de conserve/congélation à bord droit
- Papier d'aluminium résistant
- Papier enduit de plastique
- Emballages en plastique étanche (pellicule Saran)
- Sacs en plastique autohermétiques spécifiés pour congélateur

Suivre les instructions de l'emballage ou du contenant pour les méthodes de congélation appropriées.

#### Ne pas utiliser :

- Emballages pour le pain
- Contenants en plastique autres qu'en polyéthylène
- Contenants sans couvercle hermétique
- Papier paraffiné ou emballage pour congélateur enduit de cire
- Emballage mince semi-perméable

### Congélation

Le congélateur ne congèlera pas rapidement une grande quantité d'aliments. Ne pas placer plus d'aliments non congelés dans le congélateur que la quantité qui congèlera dans l'intervalle de 24 heures (pas plus de 907 à 1350 g par litre [2 à 3 lb] d'aliments par pied cube d'espace dans le congélateur).

Laisser assez d'espace pour permettre la circulation d'air entre les emballages. Laisser également assez d'espace à l'avant pour que la porte se ferme hermétiquement.

Les périodes de conservation peuvent varier selon la qualité et le type des aliments, le type d'emballage utilisé (hermétique et à l'épreuve de l'humidité), et la température d'entreposage. Les cristaux de glace à l'intérieur d'un emballage scellé sont normaux. Les cristaux signifient simplement que l'humidité dans les aliments et l'air à l'intérieur de l'emballage se sont condensés en créant des cristaux de glace.

**REMARQUE :** Laisser les aliments chauds refroidir à la température ambiante pendant 30 minutes, ensuite les emballer et les congeler. Le refroidissement des aliments chauds avant la congélation fera économiser de l'énergie.

# DÉPANNAGE

Vous pouvez résoudre de nombreux problèmes ordinaires des réfrigérateurs, ce qui vous économisera les coûts d'une visite de service inutile. Essayez les solutions suggérées pour voir si vous pouvez résoudre votre problème sans aide

externe. Si les suggestions ne réussissent pas, veuillez téléphoner au Centre d'assistance aux consommateurs KitchenAid.

## Le réfrigérateur ne fonctionne pas

VÉRIFIER SI...	ALORS...
Le cordon d'alimentation électrique est débranché.	Brancher fermement le cordon d'alimentation électrique sur une prise de courant active avec tension appropriée.
Un fusible est grillé ou le disjoncteur s'est déclenché.	Remplacer le fusible ou réenclencher le disjoncteur.
Le réglage du congélateur est à la position "OFF" (arrêt).	Voir la section "Réglage des commandes de température".
Le réfrigérateur se dégivre.	Revérifier pour voir si le réfrigérateur fonctionne au bout de 30 minutes. Le réfrigérateur exécutera régulièrement un programme automatique de dégivrage.
	Si le réfrigérateur ne fonctionne pas encore après la vérification des situations ci-dessus, téléphoner au Centre d'assistance aux consommateurs.

## Les ampoules n'éclairent pas

VÉRIFIER SI...	ALORS...
Le cordon d'alimentation électrique est débranché.	Brancher fermement le cordon d'alimentation électrique sur une prise de courant active avec tension appropriée.
Un fusible est grillé ou le disjoncteur s'est déclenché.	Remplacer le fusible ou réenclencher le disjoncteur.
Une ampoule d'éclairage est délogée dans la douille.	Tourner le réglage du congélateur à OFF (arrêt). Débrancher le réfrigérateur de la source d'alimentation électrique. Enlever délicatement l'ampoule et la réinsérer. Ensuite rebrancher le réfrigérateur à la source d'alimentation électrique et faire de nouveau le réglage du congélateur.
Une ampoule est grillée.	Remplacer par une ampoule d'appareil électroménager de tension, de grosseur et de format similaires. Voir la section "Remplacement des ampoules d'éclairage".

## Le plat de dégivrage contient de l'eau

VÉRIFIER SI...	ALORS...
Le réfrigérateur se dégivre.	L'eau s'évaporerait. C'est normal pour l'eau de dégoutter dans le plat de dégivrage.
Le réfrigérateur est plus humide que normalement.	Prévoir que l'eau dans le plat de dégivrage prend plus de temps à s'évaporer. Ceci est normal quand il fait chaud ou humide.
L'eau dans le plat de dégivrage déborde.	Vérifier pour s'assurer que le réfrigérateur est d'aplomb (voir la section "Nivellement" dans les instructions d'installation). Si le plateau déborde encore, il existe probablement une anomalie avec le réfrigérateur. Téléphoner au Centre d'assistance aux consommateurs.

## Le moteur semble fonctionner excessivement

VÉRIFIER SI...	ALORS...
La température ambiante est plus chaude que normalement.	Prévoir que le moteur fonctionnera plus longtemps dans des conditions de chaleur. Aux températures ambiantes normales, prévoir que le moteur fonctionne environ 40 % à 80 % du temps. Dans des conditions plus chaudes, prévoir un fonctionnement encore plus fréquent.
Une grande quantité d'aliments vient d'être ajoutée au réfrigérateur.	L'addition d'une grande quantité d'aliments réchauffe le réfrigérateur. Il est normal que le moteur fonctionne plus longtemps afin de refroidir de nouveau le réfrigérateur. Voir la section "Guide de conservation des aliments".
Les portes sont fréquemment ouvertes.	Prévoir que le moteur fonctionnera plus longtemps dans ce cas. Afin de conserver l'énergie, essayer de sortir tout ce dont vous avez besoin du réfrigérateur à la fois, garder les aliments organisés de sorte qu'ils sont faciles à trouver et fermer la porte dès que les aliments sont retirés.
Les réglages ne sont pas faits correctement pour les conditions ambiantes.	Voir la section "Réglage des commandes de température".
Les portes ne sont pas complètement fermées.	Pousser les portes pour qu'elles soient bien fermées. Si les portes ne ferment pas complètement, voir "Les portes ne se ferment pas complètement" plus loin dans cette section.
La grille de la base est sale ou bloquée.	Cette situation empêche la circulation de l'air et fait travailler davantage le moteur. Enlever la grille et la nettoyer.
Les serpentins du condenseur sont sales.	Cette situation empêche le transfert de l'air et fait travailler davantage le moteur. Nettoyer les serpentins du condenseur. Voir la section "Nettoyage du réfrigérateur".
Les joints des portes ne sont pas hermétiques sur tout le contour.	Contactez une personne qualifiée ou un technicien.
	Si le problème n'est pas attribuable à l'une des situations ci-dessus, rappelez-vous que votre nouveau réfrigérateur fonctionnera plus longtemps que votre ancien appareil, du fait de son moteur très efficace.

## Le réfrigérateur semble faire trop de bruit

VÉRIFIER SI...	ALORS...
Les sons et les bruits peuvent être normaux pour un réfrigérateur neuf.	Voir la section "Bruits de l'appareil que vous pouvez entendre".



## La machine à glaçons ne produit pas de glaçons

VÉRIFIER SI...	ALORS...
La température du congélateur n'est pas assez froide pour produire des glaçons.	Se référer à la section "Réglage des commandes de température".
Le levier de la machine à glaçons est en position "OFF" (élevée).	Abaisser le bras à la position "ON" (MARCHE). Voir la section "Utilisation de la machine à glaçons".
Le robinet de la canalisation d'eau reliée au réfrigérateur n'est pas ouvert.	Ouvrir le robinet d'eau.
Un glaçon est coincé dans le bras éjecteur.	Enlever le glaçon du bras éjecteur avec un ustensile en plastique. Voir "Utilisation de la machine à glaçons".
Le moule de la machine à glaçons n'a pas d'eau ou aucun glaçon n'a été produit.	Vérifier pour voir si le réfrigérateur a été branché à la canalisation d'eau de la maison, et si le robinet de la canalisation est ouvert.
	Si cette situation n'est pas attribuable à ce qui précède, il peut exister un problème avec la canalisation d'eau. Téléphoner au Centre d'assistance aux consommateurs.

## La machine à glaçons produit trop peu de glaçons

VÉRIFIER SI...	ALORS...
La machine à glaçons vient juste d'être installée.	Attendre 72 heures pour le commencement de la production complète de glaçons. Une fois que le réfrigérateur est refroidi, la machine à glaçons devrait commencer à produire de 56 à 72 glaçons à toutes les 24 heures.
Une grande quantité de glaçons vient d'être enlevée.	Attendre 24 heures pour que la machine à glaçons produise d'autres glaçons.
Les réglages ne sont pas faits correctement.	Voir la section "Réglage des commandes de température".
Le robinet d'eau n'est pas complètement ouvert.	Tourner complètement le robinet à la position ouverte. Voir la section "Raccordement du réfrigérateur à une canalisation d'eau".
Un filtre d'eau est installé sur le réfrigérateur. Ce filtre peut être obstrué ou installé incorrectement.	Vérifier d'abord les instructions d'installation du filtre pour s'assurer que le filtre a été installé correctement et qu'il n'est pas obstrué. Si l'installation ou l'obstruction n'est pas le problème, téléphoner à une personne qualifiée ou à un technicien.

## Mauvais goût ou odeur des glaçons

VÉRIFIER SI...	ALORS...
Les raccords de plomberie sont neufs et causent une décoloration et un mauvais goût des glaçons.	Jeter les premières quantités de glaçons.
Les glaçons ont été gardés trop longtemps.	Jeter les vieux glaçons et en faire une nouvelle provision.
Les aliments dans le congélateur n'ont pas été bien emballés.	Voir la section "Conservation des aliments congelés".
Le congélateur et le bac à glaçons ont besoin d'être nettoyés.	Voir la section "Nettoyage du réfrigérateur".
L'eau contient des minéraux (tel que le soufre).	L'installation d'un filtre peut être requise afin d'enlever les minéraux.

## La cloison au centre entre les deux sections est tiède

VÉRIFIER SI...	ALORS...
Le serpentín ou la grille de la base sont sales ou obstrués.	Nettoyer en consultant la section “Nettoyage du réfrigérateur”.
Le moteur a cessé de fonctionner.	Voir “Le réfrigérateur ne fonctionne pas” à une section précédente. <b>REMARQUE :</b> La température du réfrigérateur peut passer de tiède à chaude.
	Si la cause n’est pas attribuable à ce qui précède, la chaleur est probablement attribuable à l’opération normale du réglage automatique de l’humidité de l’extérieur. S’il existe encore une inquiétude à ce sujet, téléphoner au Centre d’assistance aux consommateurs.

## La température est trop tiède

VÉRIFIER SI...	ALORS...
La porte est souvent ouverte.	Prévoir que le réfrigérateur deviendra tiède dans ce cas. Pour garder le réfrigérateur froid, essayer de retirer en même temps tout ce dont vous avez besoin du réfrigérateur, garder les aliments bien rangés de sorte qu’il soit facile de les trouver et fermer la porte dès que les aliments sont retirés.
Une grande quantité d’aliments vient d’être ajoutée au réfrigérateur ou au congélateur.	L’addition d’une grande quantité d’aliments réchauffe le réfrigérateur. Plusieurs heures peuvent être nécessaires pour que le réfrigérateur revienne à la température normale.
Le réglage n’est pas fait correctement pour les conditions ambiantes.	Voir la section “Réglage des commandes de température”.

## Il existe une accumulation d’humidité à l’intérieur

VÉRIFIER SI...	ALORS...
La porte est fréquemment ouverte.	Pour éviter l’accumulation d’humidité, essayer de retirer rapidement en même temps tout ce dont vous avez besoin du réfrigérateur, garder les aliments rangés de sorte qu’il soit facile de les trouver et fermer la porte dès que les aliments sont retirés. (Lorsque la porte est ouverte, l’humidité de l’air extérieur pénètre dans le réfrigérateur. Le plus souvent la porte est ouverte, le plus rapidement l’humidité s’accumule, surtout lorsque la pièce est très humide).
La pièce est humide.	Il est normal pour l’humidité de s’accumuler à l’extérieur du réfrigérateur lorsque l’air de l’extérieur est humide.
Les aliments ne sont pas correctement emballés.	Vérifier que tous les aliments sont bien emballés. Si nécessaire, emballer de nouveau les aliments d’après les directives à la section “Guide d’entreposage des aliments”. Essuyer les contenants humides d’aliments avant de les placer au réfrigérateur.
Les réglages ne sont pas faits correctement pour les conditions ambiantes.	Voir la section “Réglage des commandes”.
Un programme autodégivreur a été complété.	Il est normal que des gouttelettes se forment sur la paroi arrière après que le réfrigérateur se dégivre automatiquement.

## Les portes ne se ferment pas complètement

VÉRIFIER SI...	ALORS...
Les emballages d'aliments empêchent la porte de se fermer.	Réorganiser les contenants de sorte qu'ils soient plus rapprochés et prennent moins d'espace.
Le bac à glaçons n'est pas en bonne position.	Pousser le bac à glaçons jusqu'au fond.
Le couvercle du bac à viande, plats, tablettes, bacs ou paniers ne sont pas en bonne position.	Placer le couvercle du bac à légumes et tous les plats, tablettes, bacs et paniers à la position correcte.
Les joints sont sales.	Nettoyer les joints en observant les directives à la section "Entretien du réfrigérateur".
Les portes ont été enlevées durant l'installation de l'appareil et n'ont pas été bien réinstallées.	Enlever et replacer les portes ou téléphoner à un technicien qualifié.

## Les portes sont difficiles à ouvrir

VÉRIFIER SI...	ALORS...
Les joints sont sales ou collants.	Nettoyer les joints en observant les instructions à la section "Entretien du réfrigérateur".

# DEMANDE D'ASSISTANCE OU DE SERVICE

Pour éviter les visites de service non nécessaires, vérifiez la section "Dépannage". Cette action peut vous faire économiser le coût d'une visite de service. Si vous avez encore besoin d'aide, suivez les instructions ci-dessous.

## Si vous avez besoin d'assistance ou de service aux États-Unis :

Téléphoner au Centre d'assistance aux consommateurs KitchenAid sans frais d'interurbain en composant le 1-800-235-0665. Nos consultants seront disponibles pour vous aider.



Lors de l'appel, veuillez connaître la date d'achat et les numéros au complet de modèle et de série de votre appareil (voir la section "Note à l'utilisateur"). Ces renseignements nous aideront à mieux répondre à votre demande.

### Nos consultants fournissent l'assistance pour :

- Caractéristiques et spécifications de notre gamme complète d'appareils électroménagers
- Renseignements concernant l'installation
- Procédés d'utilisation et d'entretien
- Vente d'accessoires et de pièces de rechange
- Assistance spécialisée aux clients (langue espagnole, malentendants, malvoyants, etc.)
- Les références aux marchands, compagnies de service de réparation et distributeurs de pièces de rechange locaux

Les techniciens de service désignés par KitchenAid sont formés pour exécuter la garantie des produits et fournir un service après la garantie partout aux États-Unis.

Pour localiser la compagnie de service désignée par KitchenAid dans votre région, vous pouvez consulter les pages jaunes de votre annuaire téléphonique.

## Si vous avez besoin de pièces de rechange...

Si vous avez besoin de commander des pièces de rechange, nous vous recommandons d'utiliser seulement des pièces désignées par l'usine. Ces pièces conviendront bien et fonctionneront bien parce qu'elles sont fabriquées selon les mêmes spécifications précises utilisées pour construire chaque nouvel appareil KitchenAid.

Pour localiser des pièces désignées par l'usine dans votre région, téléphoner à notre Centre d'assistance aux consommateurs ou au centre de service autorisé le plus proche ou au service de l'usine KitchenAid en composant 1-800-442-1111.

## Pour plus d'assistance ...

Si vous avez besoin de plus d'assistance, vous pouvez écrire à KitchenAid en soumettant toute question ou problème à :

KitchenAid Brand Home Appliances  
Consumer Assistance Center  
c/o Correspondence Dept.  
2000 North M-63  
Benton Harbor, MI 49022-2692

Dans votre correspondance, veuillez indiquer un numéro de téléphone où on peut vous joindre dans la journée.

# DEMANDE D'ASSISTANCE OU DE SERVICE

Avant de demander une assistance ou un service, veuillez vérifier la section "Dépannage". Cette vérification peut vous faire économiser le coût d'une visite de service. Si vous avez encore besoin d'aide, suivre les instructions ci-dessous.

## Si vous avez besoin d'assistance ou de service au Canada :

### 1. Si le problème n'est pas attribuable à l'une des causes indiquées dans la section "Dépannage" ...



Contactez le marchand chez qui vous avez acheté votre appareil électroménager ou téléphonez sans frais d'interurbain au Centre d'assistance aux consommateurs de KitchenAid Canada, entre **8 h 30 et 18 h (HNE) en composant le 1-800-235-0665.**

### 2. Si vous avez besoin de service \*...

Communiquer avec la succursale de service des appareils électroménagers de KitchenAid Canada la plus proche ou l'établissement de service de réparations autorisé des appareils électroménagers. (Voir liste ci-dessous.)

S'assurer que la compagnie de service que vous contactez est autorisée à faire l'entretien de votre appareil durant la période de garantie.

† Lorsque vous demandez de l'assistance ou un service, veuillez fournir une description détaillée du problème, les numéros complets de modèle et de série de l'appareil ainsi que la date d'achat. (Voir la section "Note à l'utilisateur".) Ces renseignements nous aideront à répondre adéquatement à votre demande.

## SERVICE D'APPAREILS MÉNAGERS KITCHENAID CANADA - SERVICES AUX CONSOMMATEURS

Succursales de service direct :

COLOMBIE-BRITANNIQUE		1-800-665-6788
ALBERTA		1-800-661-6291
ONTARIO	Région d'Ottawa	1-800-267-3456
(sauf l'indicatif régional 807)	À l'extérieur de la région d'Ottawa	1-800-807-6777
MANITOBA, SASKATCHEWAN		1-800-665-1683
et l'indicatif régional 807 en Ontario		
QUÉBEC	Rive Sud de Montréal	1-800-361-3032
	Montréal (sauf la rive Sud)	1-800-361-0950
	Québec	1-800-463-1523
	Sherbrooke	1-800-567-6966
PROVINCES DE L'ATLANTIQUE		1-800-565-1598

### Pour plus d'assistance ...

Si vous avez besoin de plus d'assistance, vous pouvez écrire à KitchenAid Canada en soumettant toute question ou problème à :

Service des relations avec la clientèle  
KitchenAid Canada  
1901 Minnesota Court  
Mississauga, Ontario L5N 3A7

Dans votre correspondance, veuillez indiquer un numéro de téléphone où on peut vous joindre.

# GARANTIE DU RÉFRIGÉRATEUR ENCASTRÉ



DURÉE DE LA GARANTIE	KITCHENAID PAIERA POUR :	KITCHENAID NE PAIERA PAS POUR :
<b>GARANTIE COMPLÈTE DE DEUX ANS À COMPTER DE LA DATE D'ACHAT</b>	Les pièces de rechange et les coûts de la main-d'oeuvre pour réparer les vices de matériau ou de fabrication. Le service doit être fourni par un établissement de service désigné par KitchenAid. Les pièces de rechange et les coûts de la main-d'oeuvre pour corriger les vices des ampoules d'éclairage, pendant un an.	<p><b>A.</b> Les visites de service pour :</p> <ol style="list-style-type: none"> <li>1. Rectifier l'installation du réfrigérateur.</li> <li>2. Montrer à l'utilisateur comment utiliser le réfrigérateur.</li> <li>3. Remplacer des fusibles ou rectifier le câblage électrique.</li> <li>4. Remplacer la plomberie du domicile.</li> </ol> <p><b>B.</b> Réparations lorsque le réfrigérateur est utilisé à des fins autres que l'usage normal domestique.</p>
<b>GARANTIE COMPLÈTE DE LA TROISIÈME À LA SIXIÈME ANNÉE INCLUSIVEMENT À COMPTER DE LA DATE D'ACHAT</b>	Les pièces de rechange et les coûts de la main-d'oeuvre pour corriger les vices de matériau ou de fabrication dans le système scellé de réfrigération. Ces pièces comprennent : 1. Compresseur; 2. Évaporateur; 3. Condenseur; 4. Dispositif de séchage; 5. Tubes de raccord. Les travaux doivent être effectués par une compagnie de service désignée par KitchenAid.	<p><b>C.</b> Les dommages au réfrigérateur causés par accident, modification, mauvais usage; mauvaise installation, ou installation non conforme aux règlements locaux en matière d'électricité ou de plomberie.</p> <p><b>D.</b> Toute perte d'aliments due à une panne de l'appareil.</p> <p><b>E.</b> Tous frais de main-d'oeuvre au cours des périodes de garantie limitée.</p>
<b>GARANTIE LIMITÉE DE LA SEPTIÈME À LA DOUZIÈME ANNÉE INCLUSIVEMENT À COMPTER DE LA DATE D'ACHAT</b>	Les pièces de rechange pour corriger les vices de matériau ou de fabrication dans le système scellé de réfrigération. Ces pièces comprennent : 1. Compresseur; 2. Évaporateur; 3. Condenseur; 4. Déshydrateur; 5. Tube de raccord.	<p><b>F.</b> Les pièces de remplacement ou les coûts de la main-d'oeuvre pour des appareils utilisés en dehors des États-Unis ou du Canada.</p> <p><b>G.</b> Les réparations des pièces ou systèmes résultant de modifications non autorisées apportées à l'appareil.</p> <p><b>H.</b> L'enlèvement et le remplacement de garnitures ou de panneaux décoratifs qui entravent l'entretien du produit.</p>
<b>GARANTIE LIMITÉE À VIE SUR LES BACS COULISSANTS DANS LA PORTE DU RÉFRIGÉRATEUR SLIDE 'N' LOCK<sup>MC</sup></b>	Les pièces de rechange pour corriger les vices de matériau ou de fabrication dans les balconnets des portes du réfrigérateur.	<p><b>I.</b> La main-d'oeuvre ou les pièces installées par toute compagnie de service non désignée durant la période de garantie, excepté si approuvée par KitchenAid avant l'exécution de l'entretien.</p> <p><b>J.</b> Tout médicament perdu par suite d'une panne du produit.</p>

11/99

**KITCHENAID ET KITCHENAID CANADA DÉCLINENT TOUTE RESPONSABILITÉ AU TITRE DE DOMMAGES SECONDAIRES OU INDIRECTS.**

Certains États ou certaines provinces ne permettent pas l'exclusion ou la limitation des dommages secondaires ou indirects; par conséquent, cette exclusion ou limitation peut ne pas s'appliquer dans votre cas.

**Cette garantie vous confère des droits juridiques spécifiques; vous pouvez également jouir d'autres droits, variables d'un État à un autre ou d'une province à une autre.**

**À l'extérieur du Canada et des États-Unis, une garantie différente peut s'appliquer. Pour des détails, communiquer avec votre marchand KitchenAid autorisé.**

Si vous avez besoin de service, consulter d'abord la section "Dépannage" dans cette brochure. Après avoir vérifié la section "Dépannage", une aide additionnelle peut être trouvée en vérifiant la section "Demande d'assistance ou de service" ou en téléphonant à notre Centre d'assistance aux consommateurs en composant **1-800-235-0665** (sans frais d'interurbain), de partout aux É.-U. ou au Canada.