



NEPTUNE DRYER INSTALLATION INSTRUCTIONS
MISE EN SERVICE SÉCHEUSE NEPTUNE
INSTRUCCIONES DE INSTALACIÓN DE LA SECADORA NEPTUNO



***The installation, including a proper exhaust system,
is the responsibility of the owner.***

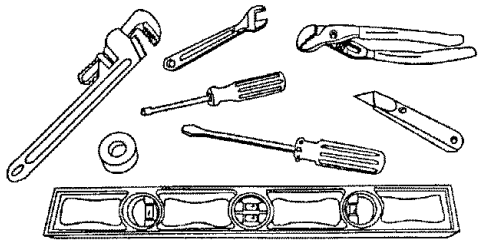
***La responsabilité de la mise en service, y compris le système
d'évacuation qui convient, revient au propriétaire.***

***Es responsabilidad del propietario la instalación correcta,
incluso la del sistema de escape.***

***LEAVE THESE INSTRUCTIONS WITH THE OWNER
REMETTRE CES INSTRUCTIONS AU PROPRIÉTAIRE
DEJE ESTAS INSTRUCCIONES CON EL PROPIETARIO***

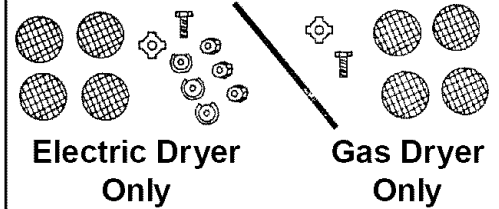
Read this before you start...

Tools needed for installation



- Teflon tape or pipe joint compound (*gas only*)
- Cutting knife
- Pipe wrench (*gas only*)
- Nut drivers
- Level
- Screw driver (*standard*)
- Duct tape
- Crescent wrench

ITEMS PROVIDED



Electric Dryer Only

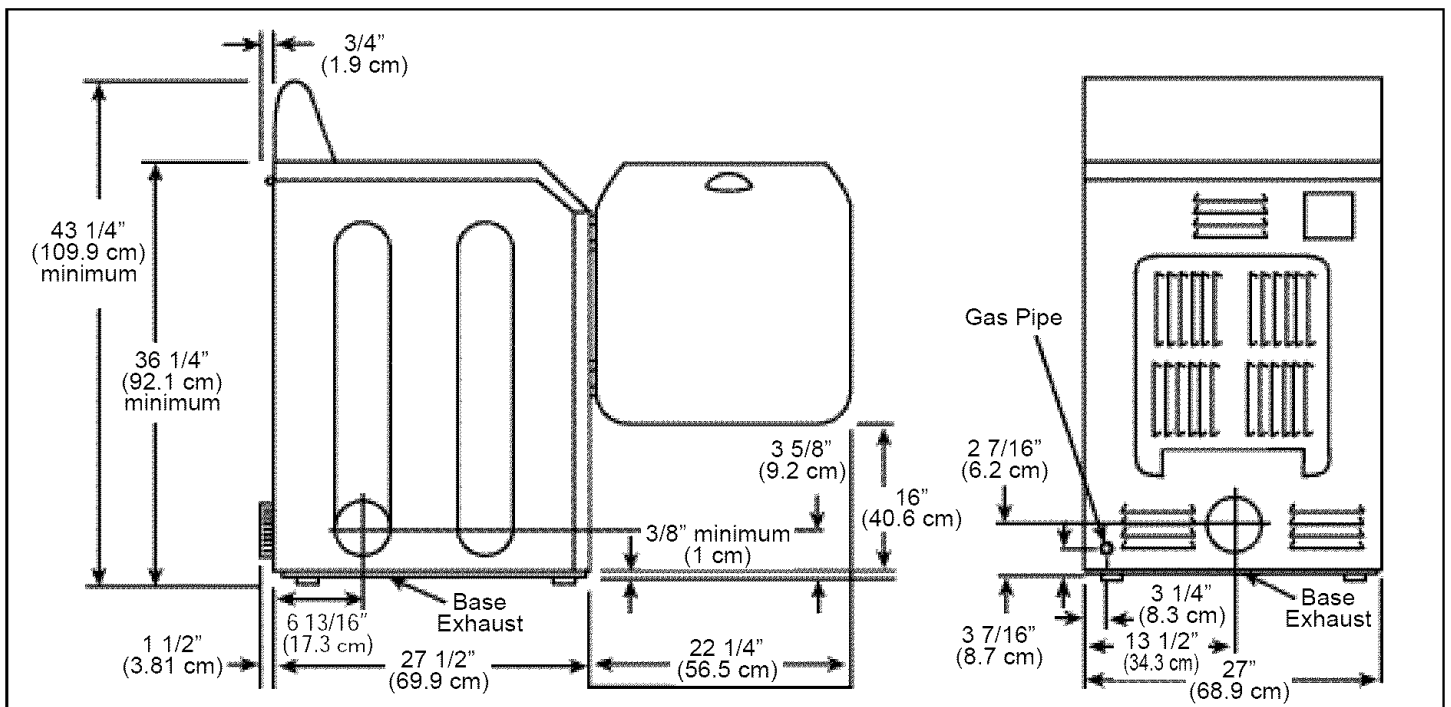
Gas Dryer Only

Proper installation is the responsibility of the owner.

HOWEVER, SERVICE CALLS PERFORMED AS A RESULT OF POOR SET-UP, ADJUSTMENT AND CONNECTION ARE THE RESPONSIBILITY OF THE INSTALLER.

Make sure you have everything necessary for proper installation.

1. GROUNDING ELECTRICAL OUTLET is required. See Electric Requirements.
2. POWER CORD for electric dryers (except Canada).
3. GAS LINES (if a gas dryer) must meet National and Local Codes.
4. EXHAUST SYSTEM – must be rigid metal or flexible stiff walled metal exhaust ducting. See Exhaust Requirements.



IMPORTANT TO INSTALLER

PLEASE READ THE FOLLOWING INSTRUCTIONS CAREFULLY BEFORE STARTING TO INSTALL THE DRYER. THESE INSTRUCTIONS SHOULD BE RETAINED FOR FUTURE REFERENCE.

REMOVE THE DOOR FROM ALL DISCARDED APPLIANCES SUCH AS DRYERS TO AVOID THE DANGER OF A CHILD SUFFOCATING.

LOCATION CONSIDERATIONS

The dryer should be located to permit adequate room in front for loading the dryer, and sufficient room behind the dryer for the exhaust system.

This dryer is factory-ready for rear exhaust. To exhaust out the bottom or left side, use the accessory exhaust kit (see Accessories). Instructions are included with the kit.

It is important to make sure the room has adequate make-up air. The area where the dryer is located must not obstruct the flow of combustion or ventilating air.

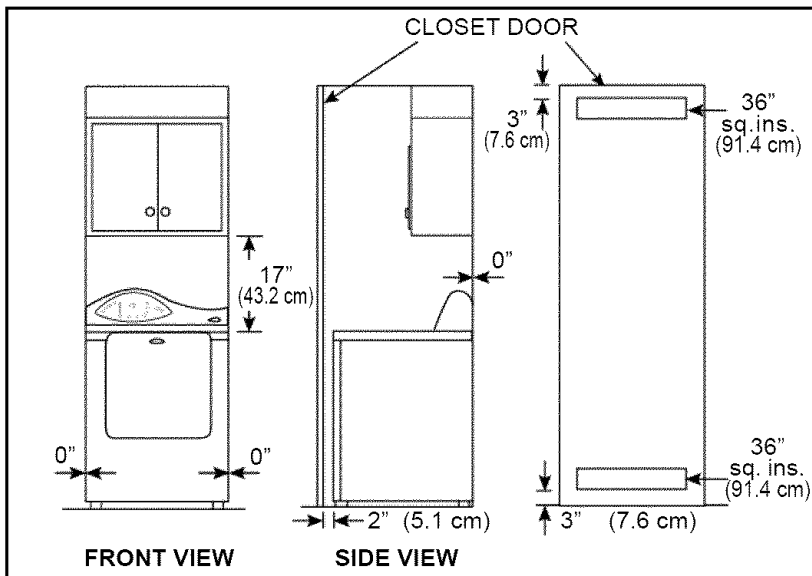
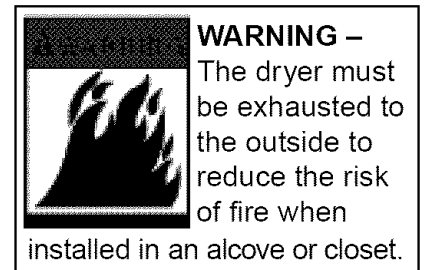
On gas dryers, adequate clearance as noted on the data plate must be maintained to insure adequate air for combustion and proper operation of the dryer.

THE DRYER **MUST NOT** BE INSTALLED OR STORED IN AN AREA WHERE IT WILL BE EXPOSED TO WATER AND/OR WEATHER. THE DRYER AREA IS TO BE KEPT CLEAR AND FREE FROM COMBUSTIBLE MATERIALS, GASOLINE AND OTHER FLAMMABLE VAPORS AND LIQUIDS. A DRYER PRODUCES COMBUSTIBLE LINT. THE AREA AROUND THE DRYER SHOULD BE KEPT FREE OF LINT.

ALCOVE OR CLOSET INSTALLATION

An appliance installed in a closet shall have no other fuel-burning appliance installed in the same closet.

Each opening area in the door must have a minimum of 36 square inches. These openings must not be obstructed. (Louvered door with equivalent air opening is acceptable.)



Minimum installation clearances. If possible, more clearance is recommended.

MOBILE HOME INSTALLATION

The installation of the dryer in mobile homes must conform to the Manufactured Home Construction and Safety Standard Title 24 CFR, Part 32-80 {formerly the Federal standard for Mobile Home Construction and Safety, Title 24, HUD (Part 280), 1975} for the United States,) or CSA Standards Z240 (for Canada).

When installing a dryer in a mobile home, provisions for anchoring the dryer to the floor must be made. An anchor bracket kit is available with instructions (see Accessories). Locate in an area that has adequate make up air. A minimum of 25 square inches (63.5 cm) of unobstructed opening is required.

All mobile home installations must be exhausted to the outside with the exhaust duct termination securely fastened to the mobile home structure, using materials that will not support combustion. The exhaust duct may not terminate beneath the mobile home. See the section on exhausting for more information.

EXHAUSTING

Exhausting the dryer to the outside will prevent large amounts of lint and moisture from being blown into the room.

In the United States:

- all gas dryers must be exhausted to the outside.
- electric dryers located in a confined area such as a bedroom, bathroom, or closet must be exhausted to the outside.
- electric dryers not located in a confined area may be exhausted to the inside (see nonexhausted installations).

In Canada:

- all gas and electric dryers must be exhausted to the outside.

Outside the U.S. and Canada:

- refer to local codes.



WARNING – plastic or nonmetal flexible duct presents a potential fire hazard.

NEVER USE PLASTIC OR NONMETAL FLEXIBLE DUCT.

If your existing ductwork is plastic, nonmetal or combustible, replace it with metal. Use only metal exhaust duct that will not support combustion to insure the containment of exhaust air, heat and lint.

Plastic flexible duct can kink, sag, be punctured, reduce air flow, extend drying times and affect dryer operation.

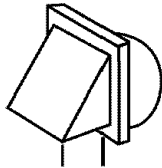
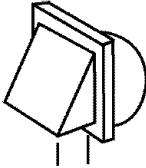
USE A MINIMUM OF 4-INCH (10.2 cm) DIAMETER RIGID ALUMINUM OR RIGID GALVANIZED STEEL DUCT. Do not use smaller duct. Ducts larger than 4 inches (10.2 cm) in diameter can result in increased lint accumulation. Lint accumulation should be cleaned regularly. If flexible metal duct must be used, use the type with a stiff sheet metal wall. Do not use flexible duct with a thin foil wall. Serious blockage can result if flexible metal duct is bent too sharp. Never install any type of flexible duct in walls, ceilings or other concealed spaces.

Keep exhaust duct as straight and short as possible. Exhaust systems longer than recommended can extend drying times, affect machine operation and may collect lint. Secure joints with duct tape. Do not use screws.

DO NOT EXHAUST DRYER INTO ANY WALL, CEILING, CRAWL SPACE OR A CONCEALED SPACE OF A BUILDING, GAS VENT, ANY OTHER COMMON DUCT OR CHIMNEY. THIS COULD CREATE A FIRE HAZARD FROM LINT EXPELLED BY THE DRYER.

The exhaust duct should end with an exhaust hood with a swing out damper to prevent backdrafts and entry of wildlife. Never use an exhaust hood with a magnetic damper. The hood should have at least 12 inches (30.5 cm) of clearance between the bottom of the hood and the ground or other obstruction. The hood opening should point down. Never install a screen over the exhaust outlet.

When possible, do not exhaust the dryer directly into a window well in order to avoid lint build-up. Do not exhaust under a house or porch.

| Exhaust Hood Type | | |
|--|--|---|
| Number of 90° Turns |  4" (10.2 cm) |  2-1/2" (6.4 cm) |
| Maximum length of 4-inch (10.2 cm) diameter rigid metal duct | | |
| 0 | 65 ft. (165.1 cm) | 59 ft. (149.9 cm) |
| 1 | 54 ft. (137.2 cm) | 48 ft. (121.9 cm) |
| 2 | 44 ft. (111.8 cm) | 38 ft. (96.5 cm) |
| 3 | 36 ft. (91.4 cm) | 30 ft. (76.2 cm) |
| 4 | 28 ft. (71.1 cm) | 22 ft. (55.9 cm) |
| Maximum length of 4-inch (10.2 cm) diameter flexible stiff walled metal duct | | |
| 0 | 36 ft. (91.4 cm) | 28 ft. (71.1 cm) |
| 1 | 32 ft. (81.3 cm) | 24 ft. (60.9 cm) |
| 2 | 28 ft. (71.1 cm) | 20 ft. (50.8 cm) |
| 3 | 25 ft. (63.5 cm) | 17 ft. (43.2 cm) |
| 4 | 23 ft. (58.4 cm) | 15 ft. (38.1 cm) |

If exhaust ductwork must run through an unheated area, the duct should be insulated and slope slightly down towards the exhaust hood to reduce condensation and lint build-up.

If an existing exhaust system is to be used with your new dryer, you must be sure:

- The exhaust system meets all local, state and national codes.
- That plastic flexible duct is not used.
- To completely inspect and clean all lint accumulation from the interior of the duct.
- The duct is not kinked or crushed.
- The exhaust hood damper opens and closes freely.

The static pressure in any exhaust system must not exceed 0.92 inches of water column, or be less than 0. This can be measured with the dryer running with a manometer at the point where the exhaust duct connects to the dryer. A no heat setting should be used. The dryer tumbler should be empty and the lint filter clean.

Inspect and clean the interior of the exhaust system at least once a year. Disconnect electrical service prior to cleaning. Check the gas line on gas dryers anytime the dryer is moved.

Frequently check to be sure the exhaust hood damper opens and closes freely.

NONEXHAUSTED INSTALLATIONS

If the electric dryer is not exhausted to the outside, the exhaust must not terminate directly behind the dryer. Use a rectangular vent kit along with a dacron mesh lint bag (see Accessories). Maintain a 6" (15.2 cm) clearance between the back of the control panel and the wall. Although the lint screen and lint bag will retain most of the lint, a certain amount will be expelled into the laundry area.

WARNING: IF THE DRYER IS NOT EXHAUSTED TO THE OUTSIDE, SOME FINE LINT WILL BE EXPELLED INTO THE LAUNDRY AREA. AN ACCUMULATION OF DUST OR LINT IN ANY AREA OF THE HOME CREATES A FIRE HAZARD. ANY LINT ACCUMULATIONS MUST BE CLEANED FREQUENTLY.

GAS REQUIREMENTS

Use only Natural or LP (liquid propane) gases.

THE INSTALLATION MUST CONFORM WITH LOCAL CODES, OR IN THE ABSENCE OF LOCAL CODES, WITH THE NATIONAL FUEL GAS CODE ANSI/Z223.1, LATEST REVISION (FOR THE UNITED STATES), OR WITH THE CAN/CGA-B149 INSTALLATION CODES (FOR CANADA).

Gas dryers are equipped with a burner orifice for operation on NATURAL gas. **If the dryer is to be operated on LP (liquid propane) gas, it must be converted for safe and proper performance and must be converted by a qualified service technician.** Conversion kits from NATURAL to LP, or LP to NATURAL are available through your local Maytag dealer (see Accessories). If other conversions are required, check with the local gas utility for specific information concerning conversion requirements.

A 1/2" (1.27 cm) gas supply line is recommended and must be reduced to connect to the 3/8" (1.0 cm) gas line on the dryer.

The National Fuel Gas Code requires that an accessible, approved manual gas shut off valve be installed within 6 feet of the dryer.

Additionally, a 1/8" (.3 cm) N.P.T. (National Pipe Thread) plugged tapping, accessible for test gauge connection, must be installed immediately upstream of the gas supply connection to the dryer.

The dryer must be disconnected from the gas supply piping system during any pressure testing of the system.

DO NOT re-use old flexible metal gas line. Flexible gas line must be design certified by American Gas Association (CGA in Canada). **NOTE:** Any pipe joint compound used must be resistant to the action of any liquefied petroleum gas.

NOTE: As a courtesy, most local gas utilities will inspect a gas appliance installation.

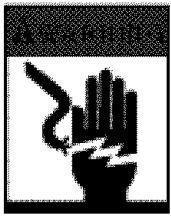
GAS IGNITION –

This dryer uses an automatic ignition system to ignite the burner. **There is no constant burning pilot.**

ELECTRICAL REQUIREMENTS

NOTE: Wiring diagram is located inside the control console.

Export models (not U.S. or Canada): See Additional Instructions for Export Models on the other side of this sheet.



WARNING – To prevent unnecessary risk of fire, electrical shock or personal injury, **all wiring and grounding must be done in accordance with local codes, or in the absence of local codes, with the National Electrical Code, ANSI/NFPA (for the United States) or the Canadian Electrical Code CSA C22.1 (for Canada).**

GROUNDING

This dryer must be grounded. In the event of malfunction or breakdown, the ground will reduce the risk of electrical shock by providing a path of least resistance for electrical current.

GAS MODELS

This appliance is equipped with a cord having an equipment-grounding conductor and a grounding plug. The plug must be plugged into an appropriate outlet that is properly installed and grounded in accordance with all local codes and ordinances.

Do not modify the plug provided with the appliance – if it will not fit the outlet, have a proper outlet installed by a qualified electrician.

If a separate ground is required by local codes, an accessory ground wire and ground clamp is available. Connect ground wire to back of unit with the cabinet ground screw and washer. The ground screw and washer are found in the parts package. Secure other end of ground wire to a suitable external ground connection. The wire may be secured with the clamp to a grounded COLD metal water pipe.

NEVER CONNECT GROUND WIRE TO PLASTIC PLUMBING LINES, GAS LINES OR HOT WATER PIPES.

ELECTRIC MODELS

U.S. electric models are shipped with a ground strap connected from the neutral terminal block post to the frame of the dryer. If local codes prohibit the use of the ground strap, the dryer must be grounded in accordance with local codes.

If a power cord is not used and the electric dryer is to be permanently wired, the dryer must be connected to a grounded metal, permanent wiring system; or an equipment grounding conductor must be run with the circuit conductors and connected to the equipment grounding terminal.

ELECTRICAL CONNECTIONS

BEFORE OPERATING OR TESTING, follow all grounding instructions in Grounding Section.

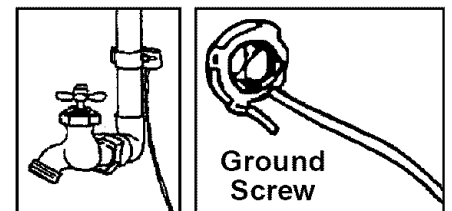
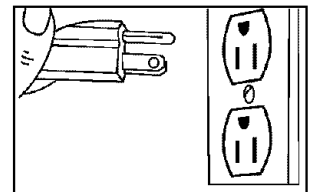
An individual branch (or separate) circuit serving only this appliance is recommended. **DO NOT USE AN EXTENSION CORD.**

GAS MODELS – U.S. and Canada

A 120 volt, 60 Hz AC, approved electrical service, with a 15 ampere fuse or circuit breaker is required.



WARNING – Improper connection of the equipment grounding conductor can result in a risk of electric shock. Check with a qualified electrician or serviceman if you are in doubt as to whether the appliance is properly grounded.



ELECTRIC MODELS – U.S. Only

Most U.S. dryers, as manufactured, require a 120/240 volt, 60 Hz AC approved electrical service. Some require 120/208 volt, 60 Hz approved electrical service. The electric service requirements can be found on the data label located on the front behind the door. A 30 ampere fuse or circuit breaker on both sides of the line is required.

A 120/240 volt U.S. electric dryer must be converted if it is to operate on a 120/208 volt electrical system. A heating element conversion kit is available (see Accessories).

If a power cord is used, the cord should be plugged into a 30 ampere receptacle.

The power cord is **NOT** provided with U.S. electric model dryers.

IMPORTANT: When permitted by local codes, the dryer electrical supply may be connected by means of a new power supply cord kit, marked for use with clothes dryer, that is U.L. listed, rated at 120/240 volts minimum, 30 amperes with three No. 10 copper wire conductors terminated with closed loop terminals, open-end spade lugs with turned up ends or with tinned leads.

Do not reuse a power supply cord from an old dryer. The power cord electric supply wiring must be retained at the dryer cabinet with a suitable UL listed strain relief.

If the dryer is to be installed in a mobile home or an area where local codes do not permit grounding through neutral, only a 4 conductor power cord, rated and terminated as above, may be used.

ELECTRIC MODELS – Canada Only

A 120/240 volt, 60 Hz AC approved electrical service fused through a 30 ampere fuse or circuit breaker on both sides of the line is required.

All Canadian models are shipped with the power cord attached. The power cord should be plugged into a 30 ampere receptacle.

NOTE: It is not permissible to convert a dryer in Canada to 208 volts.

REPLACEMENT PARTS AND ACCESSORIES

If your dryer requires replacement parts or accessories, contact the dealer from whom you purchased your dryer or Maytag Customer Service, Box 2370, Cleveland, Tennessee 37320-2370, phone 423-472-3333, for information on the nearest authorized Maytag Parts Distributor.

INSTALLATION

Parts and literature are packaged inside of dryer drum.

To Install...

1. Move dryer to an appropriate location for installation. Consider installing the dryer before the washer in side-by-side installations, to allow access to gas, electrical and exhaust connections.

Lay two of the carton corner posts on the floor. Tip the dryer forward on its front so it will lay across both corner posts.

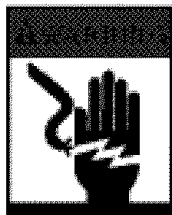
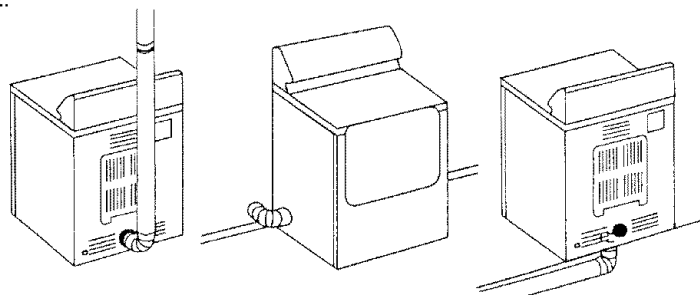
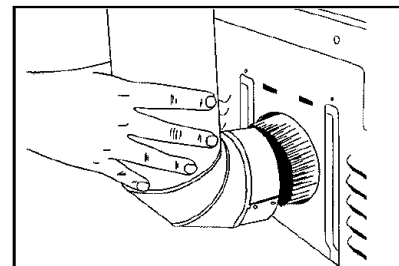
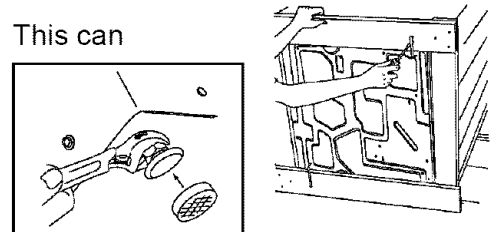
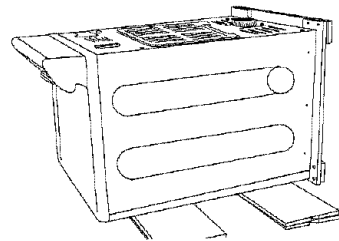
2. Remove the crate wires holding the crate base to the base frame. This can be done with a screwdriver.

3. Loosen the leveling locking nuts and install the vinyl feet.

4. Set the dryer back in an upright position.

5. Review the exhaust section on the reverse side before installing the exhaust system. Install the ductwork from the dryer to the exhaust hood. The crimped end of the duct sections must point away from the dryer. **DO NOT** use sheet metal screws when assembling ducting. These joints should be taped. **Never use plastic flexible exhaust material.**

Tip for tight installations: install a section of exhaust system to the dryer before moving the dryer in place. Use duct tape to secure this section to the dryer but do not cover louvers in dryer cabinet.



- Improper connection of the equipment-grounding conductor can result in a risk of electrical shock. Check with a qualified electrician or serviceman if you are in doubt as to whether the appliance is properly grounded. Do not modify the plug provided with the appliance – if it will not fit the outlet, have a proper outlet installed by a qualified electrician.

- To prevent unnecessary risk of fire, electrical shock or personal injury, all wiring and grounding must be done in accordance with the National Electrical Code ANSI/NFPA, No. 70-Latest Revision (for U.S.) or the Canadian Electrical code CSA C22.1 – Latest Revision and local codes and ordinances. It is the personal responsibility and obligation of the appliance owner to provide adequate electrical services for this appliance.

- All gas installations must be done in accordance with the National Fuel Gas Code ANSI/Z2231 – Latest Revision (for the United States) or the CAN/CGA – B149 Installation Codes – Latest Revision (for Canada) and local codes and ordinances.

6. GAS DRYER SECTION

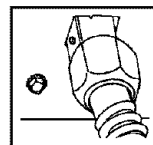
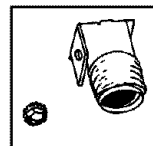
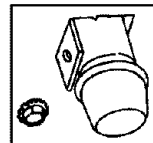
Review gas requirements on back side of these instructions.

Remove the pipe thread protective cap.

Apply pipe joint compound or about 1 1/2 wraps of Teflon tape over all threaded connections. **NOTE:** Pipe joint compound must be resistant to the action of any liquefied petroleum gas.

Connect the gas supply to the dryer. An additional fitting is required to connect the 3/4" (1.9 cm) female thread end of a flexible connector to the 3/8" (1 cm) male threaded end on the dryer. Securely tighten the gas line fitting over threads.

Turn on the gas supply. Check all gas connections for leaks using a soap solution. If bubbles occur, tighten the connections and recheck. **DO NOT use an open flame to check for gas leaks.**



6. ELECTRIC DRYER SECTION

Review electrical requirements on back side of these instructions.

BEFORE OPERATING OR TESTING, follow the grounding directions on the reverse side.

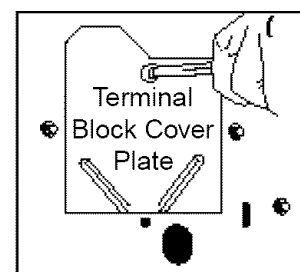
U.S. MODELS:

IMPORTANT – All U.S. models are produced for a 3-WIRE SYSTEM CONNECTION. The dryer frame is grounded to the neutral conductor at the terminal block. A 4-WIRE SYSTEM CONNECTION is required for new or remodeled construction, mobile homes, or if local codes do not permit grounding through neutral. If the 4-wire system is used, the dryer frame cannot be grounded to the neutral conductor at the terminal block. Refer to the following instructions for 3- and 4-WIRE SYSTEM CONNECTIONS.

Remove the terminal block cover plate.

Insert the power cord with a U.L. listed strain relief through the hole provided in the cabinet near the terminal block. **NOTE: a strain relief must be used.**

Do not loosen the nuts already installed on the terminal block. Be sure they are tight. Use a 3/8" (1 cm) deep well socket.



3-WIRE SYSTEM CONNECTIONS

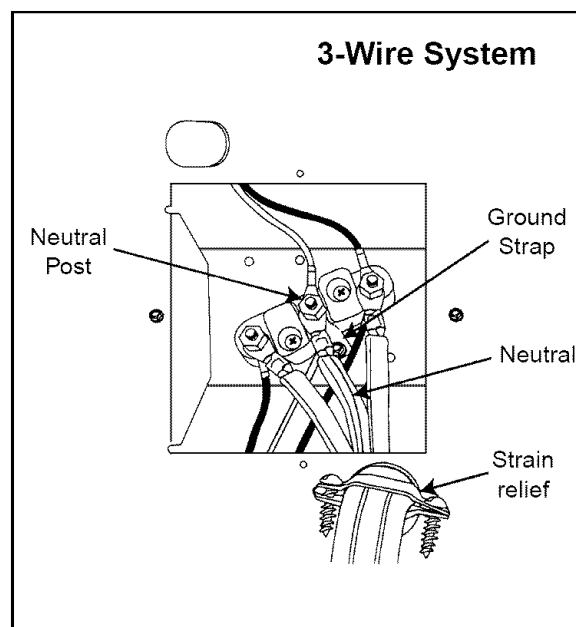
If the power cord has terminals, place the terminals over the existing nuts on the posts. The neutral (white or center wire on power cord) conductor must always be connected to the center (silver colored) post of the terminal block.

Secure in place using the nuts provided in the parts package. If the power cord does not have terminals, use the cupped washers ahead of the nuts.

Be sure the terminal block nuts are tight. Secure the power cord in position. Tighten the strain relief screw(s) in order to clamp the strain relief to the cord.

Replace the terminal block cover.

WARNING: If converting from a 4-wire electrical system to a 3-wire, the ground strap must be reconnected to the terminal block support to ground the dryer frame to the neutral conductor.



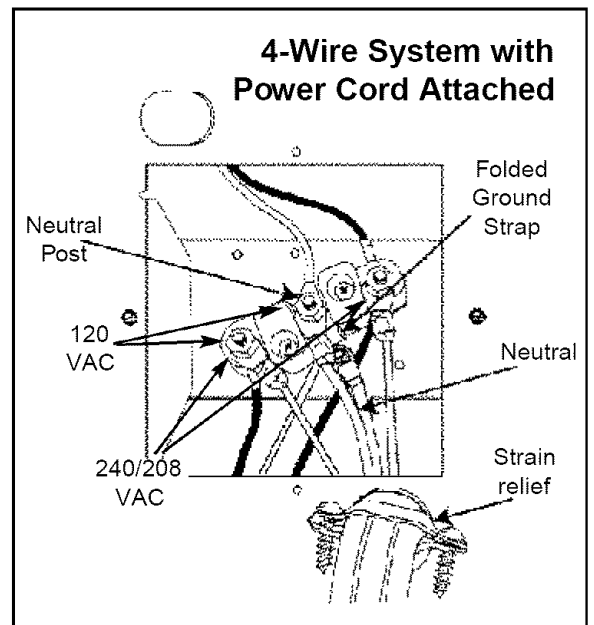
4-WIRE SYSTEM CONNECTIONS

Remove the ground strap screw from the terminal block support. Fold the ground strap over so both ends of the ground strap will be attached to the center terminal block post.

Connect the neutral (white) conductor of the cord to the center (silver) post of the terminal block. Connect the grounding (green) wire of the cord to the terminal block support using the ground strap screw.

Connect the red and black wires of the cord to the outer posts of the terminal block.

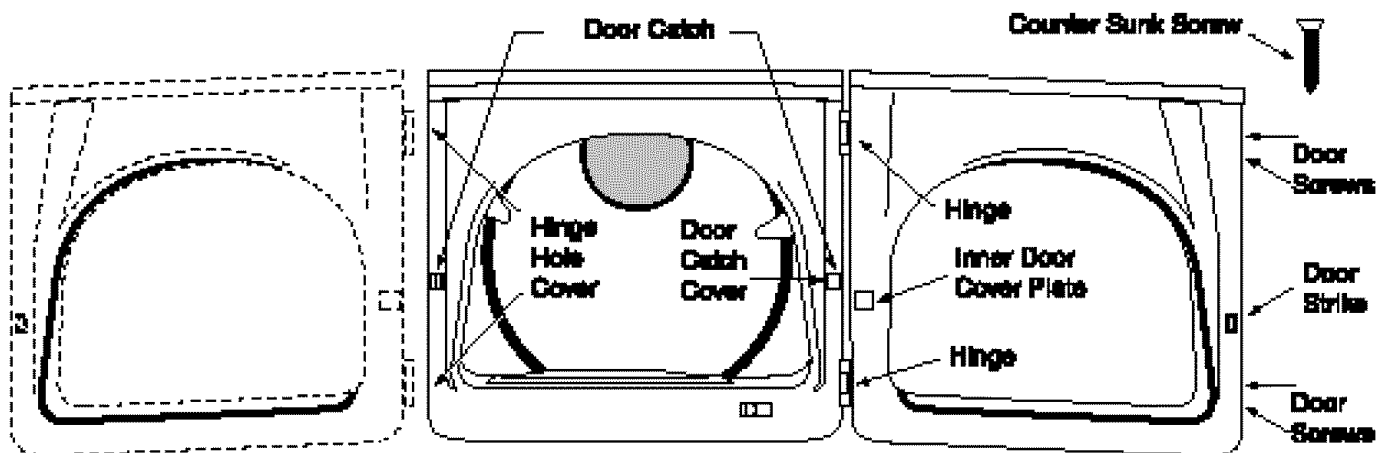
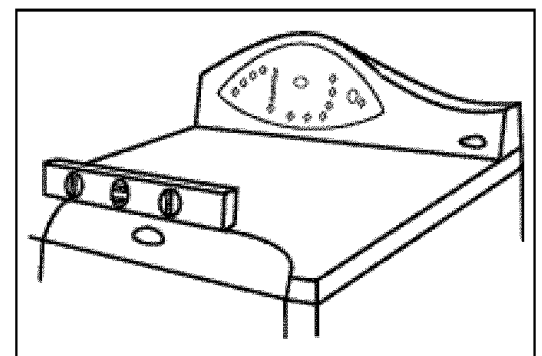
Be sure the terminal block nuts are on tight. Secure the power cord in position. Tighten the strain relief screw(s) in order to clamp the strain relief to the cord. Replace the terminal block cover.



EXPORT MODELS

Refer to the Additional Instructions Section.

7. With a level, check the dryer, and make necessary adjustments to the leveling legs. Once level, tighten the leveling leg locking nuts with a wrench.
8. The dryer door direction can be reversed.
 1. If the dryer is plugged in, unplug from electrical service.
 2. Remove the hinge hole covers and screws. Move the door catch cover to the opposite side.
 3. While supporting the door remove 2 screws in the hinges that secure the hinges to the cabinet.
 4. Remove the door by lifting slightly at the hinges and pulling the hinge tabs out of the hinge slots.
 5. Move the following parts to the opposite side of the door: 2 hinges and 4 hinge screws, 4 door screws, door strike and screw, inner door cover plate and screw.
 6. Attach the door to the opposite side of the cabinet using the 2 counter sunk hinge screws. (See below.)
 7. Driving the lower hinge screw first will help to align the door and hinges.
 8. Replace the hinge hole covers and screws in the opposite side.



- 9.** At this time, make sure all gas, exhaust and electrical connections are complete. Plug dryer in, and check operation by using the check list below.
- 10.** (GAS MODELS ONLY)

The burner may not ignite initially due to air in the gas line. Allowing the dryer to operate on a heat setting will purge the line. If the gas does not ignite within five minutes, turn the dryer off and wait 5 minutes. Be sure the gas supply to the dryer has been turned on. In order to confirm gas ignition, check the exhaust for heat.

FINAL INSTALLATION CHECK LIST

- Dryer is plugged into electrical outlet and is properly grounded.
- Exhaust duct work is hooked up and joints taped.
- Plastic flexible duct is NOT used.
- Use rigid or stiff walled flexible metal vent material.
- Dryer is level with all legs firmly on the floor, with the lock nuts tightened.
- Vinyl feet have been installed.
- Gas Models – gas is turned on, there are no gas leaks.
- Dryer runs, heats, shuts off.
- Demonstrate use to consumer.

HOUSEHOLD INSTALLATION ACCESSORIES

- Vent hood – 4" (10.16 cm) opening – 059129
- Aluminum pipe – 4" x 24" (10.16 cm x 60.96 cm) – 059130
- Aluminum elbow – 4" (10.16 cm) – 059131
- Aluminum window plate – 15" x 20" (38.10 cm x 50.80 cm) – 4" (10.16 cm) hole – 059134
- Flexible aluminum vent duct – 4" (10.16 cm) diameter – 38" (81.28 cm) length stretches to 8' (2.44 cm) – 304353
- Clamp for flexible aluminum duct – 304630
- Exhaust duct kit for base or left side exhausting – 12001453
- Rectangular vent kit – 059144
- Dacron lint bag – 311353
- NATURAL to LP conversion kit – 306195
- LP to NATURAL conversion kit – 306204
- Anchor bracket kit – 303740
- Heating element conversion kit, 208V., not for Canada– 308590
- Grounding wire – 311155
- Grounding clamp – 301548
- Power cords – 240 v, 30 A
 - 4' (121.9 cm) – 3-wire – 33001780
 - 5' (152.4 cm) – 3-wire – 33001822
 - 6' (182.9 cm) – 3-wire – 33001823
 - 10' (304.8 cm) – 3-wire – 33001838
 - 4' (121.9 cm) – 4-wire – 33001781
 - 5' (152.4 cm) – 4-wire – 33001824
 - 6' (182.9 cm) – 4-wire – 33001825
 - 10' (304.8 cm) – 4-wire – 33001838

For the visually impaired, Braille labels can be placed on the control panel of the appliance. Check with your local Association for the Blind for information on Braille label makers.

ADDITIONAL INSTRUCTIONS FOR EXPORT MODELS

(not U.S. or Canada)

Contact the distributor that sold the appliance or: Maytag International, 8700 W. Bryn Mawr Avenue, Chicago, Illinois USA 60631, 773-714-0100, for information on product, shipping damage, replacement parts and accessories.

Maytag dryer models manufactured for operation on 60 Hz AC are not designed for use on 50 Hz AC electrical service and conversion of the product from 60 to 50 Hz operation is not recommended. For additional information on 50 Hz products, contact Maytag International.

The electric service requirements can be found on the data label located on the front of the dryer behind the door.

EXPORT ELECTRIC MODELS

Export electric models are manufactured for operation on either 230/240 volt, 50 Hz or 220 volt, 60 Hz approved electric service. A two-wire approved electrical service with a 30 ampere fuse or circuit breaker is required. The dryer must be properly grounded with a ground wire.

IMPORTANT: When permitted by local codes, the dryer electrical supply may be connected by means of a new power supply cord kit, marked for use with clothes dryers, that is agency listed, rated at 240 volts minimum, 30 amperes with two No. 10 copper wire conductors terminated with closed loop terminals, open-end spade lugs with turned up ends or with tinned leads.

Do not reuse a power supply cord from an old dryer. The power cord or electric supply wiring must be retained at the dryer cabinet with a suitable agency listed strain relief.

2-WIRE AND GROUND SYSTEM CONNECTIONS

Remove the terminal block cover plate.

Insert the power cord with an agency listed strain relief through the hole provided in the cabinet near the terminal block. **Note, a strain relief must be used.**

Do not loosen the nuts already installed on the terminal block. Be sure they are tight. Use a 3/8" (1 cm) deep well socket.

Secure the power cord ground wire to the terminal block support using the ground screw.

If the power cord has terminals, place the terminals over the existing nuts on the posts. The neutral wire in power cord must be connected to the center (silver colored) post of the terminal block.

Secure in place using the nuts provided in the parts package. If the power cord does not have terminals, use the cupped washers ahead of the nuts.

Be sure the terminal block nuts are tight. Secure the power cord in position. Tighten the strain relief screw(s) in order to clamp the strain relief to the cord.

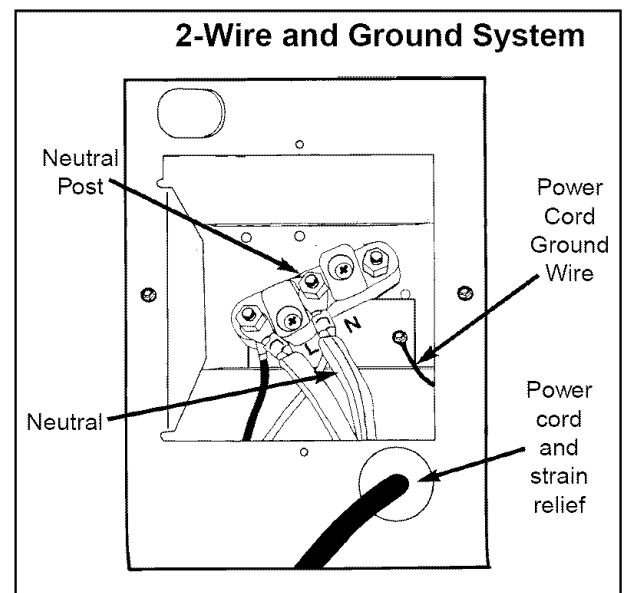
Replace the terminal block cover.

BEFORE OPERATING OR TESTING, be sure the machine is properly grounded.

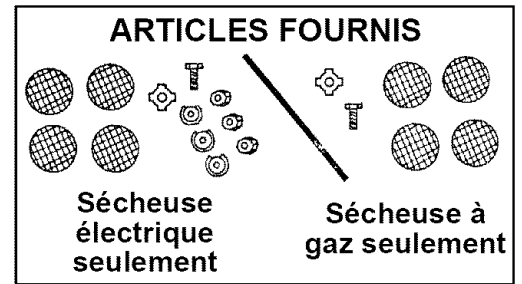
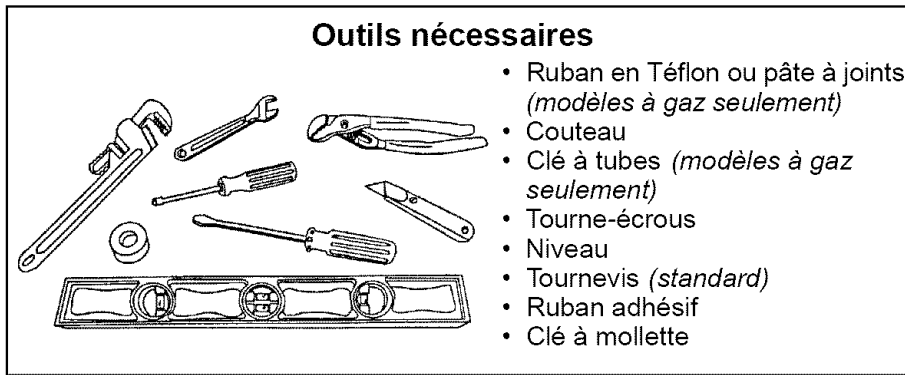
EXPORT GAS MODELS

Export gas models are manufactured for operation on either 230/240 volt, 50 Hz or 220 volt, 60 Hz AC approved electrical service with a 15 ampere fuse or circuit breaker.

Export gas models have been manufactured for use with natural gas having a higher heating value of approximately 1025 BTU per cubic foot. Conversion to LP gas with a higher heating value of approximately 2500 BTU per cubic foot must be performed by a qualified service technician. A conversion kit is available.



Lire avant de commencer...

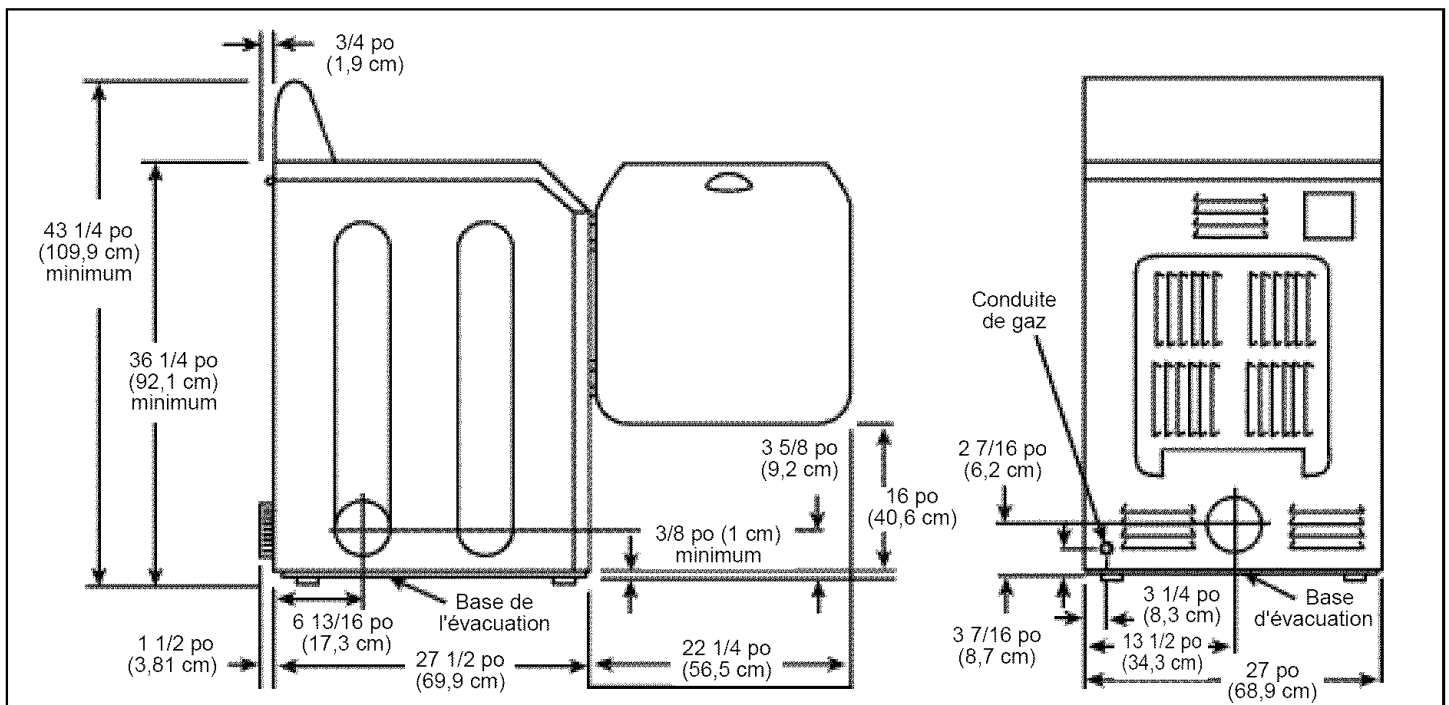


La responsabilité de la mise en service revient au propriétaire de la sécheuse.

TOUTEFOIS, LES PRESTATIONS DE SERVICE APRÈS-VENTE DUES À UNE CONFIGURATION, UN RÉGLAGE OU UN RACCORDEMENT INADÉQUATS SONT À LA CHARGE DE L'INSTALLATEUR.

Veiller à avoir tout le nécessaire pour assurer une mise en service correcte de l'appareil.

1. UNE PRISE MURALE AVEC MISE À LA TERRE est nécessaire. Voir sous « Caractéristiques électriques ».
2. UN CORDON ÉLECTRIQUE pour sécheuses électriques (sauf les modèles destinés au marché canadien).
3. LES CONDUITES DE GAZ (s'il s'agit d'une sécheuse à gaz) doivent être conformes aux codes locaux et nationaux.
4. LES CONDUITS D'ÉVACUATION doivent être en métal rigide ou en métal flexible à parois rigides. Voir sous « Caractéristiques de l'évacuation ».



IMPORTANT POUR L'INSTALLATEUR

LIRE SOIGNEUSEMENT LES INSTRUCTIONS QUI SUIVENT AVANT DE COMMENCER LA MISE EN SERVICE DE LA SÉCHEUSE. LES CONSERVER POUR RÉFÉRENCE ULTÉRIEURE.

DÉMONTÉ LA PORTE DE TOUT APPAREIL MÉNAGER, TEL QUE LES SÉCHEUSES, MIS AU REBUT, AFIN D'ÉVITER QU'UN ENFANT NE SE GLISSE DANS L'APPAREIL, NE S'Y TROUVE ENFERMÉ ET NE SUFFOQUE.

CONSIDÉRATIONS CONCERNANT L'EMPLACEMENT

La sècheuse doit être placée de telle sorte qu'il y ait suffisamment de place à l'avant pour y mettre et enlever le linge, et un dégagement suffisant à l'arrière pour la conduite d'évacuation.

Cette sècheuse a été conçue en usine pour une évacuation par l'arrière. Pour une évacuation par le dessous ou sur le côté gauche, utiliser le nécessaire d'évacuation (voir sous « Accessoires »). Les instructions sont incluses avec le nécessaire.

Il est important de s'assurer que la pièce a un apport d'air d'appoint suffisant. L'endroit où se trouve la sècheuse ne doit pas obstruer le passage de l'air de combustion ou de ventilation.

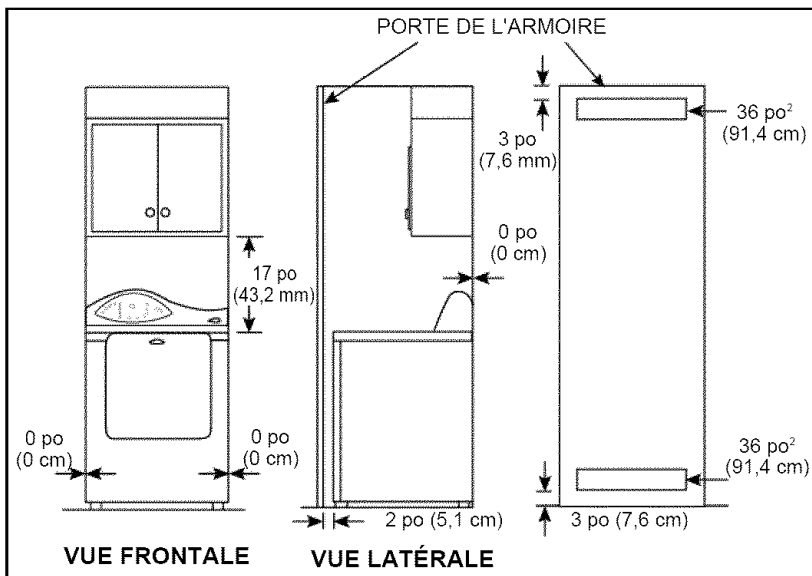
Avec les sècheuses à gaz, un dégagement suffisant, indiqué sur la plaque signalétique, doit être prévu de façon à assurer un apport d'air adéquat pour la combustion et le bon fonctionnement de la sècheuse.

NE PAS INSTALLER OU ENTREPOSER LA SÈCHEUSE DANS UN ENDROIT OÙ ELLE EST EXPOSÉE À L'EAU ET/OU AUX INTEMPÉRIES. LA PIÈCE DANS LAQUELLE SE TROUVE LA SÈCHEUSE DOIT ÊTRE LIBRE DE TOUTE SUBSTANCE COMBUSTIBLE, D'ESSENCE ET DE TOUT AUTRE LIQUIDE OU VAPEUR INFLAMMABLE. UNE SÈCHEUSE PRODUIT DE LA CHARPIE COMBUSTIBLE ET LA PROXIMITÉ DE LA SÈCHEUSE DOIT ÊTRE GARDÉE LIBRE DE TOUTE CHARPIE.

MISE EN SERVICE DANS UNE ALCÔVE OU UNE ARMOIRE

Ne pas placer d'autre appareil utilisant un combustible dans la même armoire que la sècheuse.

Chaque ouverture dans la porte doit avoir une surface minimum de 36 po² (91,4 cm²). Cette ouverture ne doit pas être obstruée. (Une porte à volets avec ouverture équivalente est acceptable.)



Dégagements minimums nécessaires. Des dégagements de plus grandes dimensions sont recommandés.

INSTALLATION EN MAISON MOBILE

L'installation d'une sècheuse dans une maison mobile doit être conforme aux normes « Manufactured Home Construction and Safety Standard », titre 24 CFR, partie 32-80 (précédemment « Federal Standard for Mobile Home Construction and Safety », titre 24, HUD [partie 280], 1975) aux États-Unis, et aux normes Z240 de l'ANC au Canada.

Lors de l'installation d'une sècheuse dans une maison mobile, il faut prévoir son ancrage au plancher. Un nécessaire de pattes de fixation avec instructions de montage est disponible (voir sous « Accessoires »). Placer la sècheuse de façon à ce que son emplacement lui assure un apport d'air d'appoint suffisant. Une ouverture non obstruée d'un minimum de 25 po² (63,5 cm) est exigée.

Toute installation dans une maison mobile doit avoir un conduit d'évacuation extérieur et l'extrémité du conduit se trouvant à l'extérieur doit être solidement fixée à la structure de la maison mobile à l'aide de matériaux ininflammables. Le conduit d'évacuation ne doit pas sortir sous la maison mobile. Voir les explications concernant l'évacuation pour plus de détails.

ÉVACUATION

L'évacuation de la sécheuse sur l'extérieur évite l'évacuation de la charpie et de quantités importantes d'humidité dans la pièce.

Aux États-Unis :

- L'évacuation de toute sécheuse à gaz doit se faire à l'extérieur.
- Quand la sécheuse électrique est installée dans une pièce fermée telle qu'une chambre à coucher, une salle de bains ou un placard, l'évacuation doit se faire à l'extérieur.
- Dans le cas d'une sécheuse électrique qui ne se trouve pas dans une pièce fermée, l'évacuation peut se faire dans la pièce (voir sous « Installations sans conduit d'évacuation »).

Au Canada :

- Toutes les sécheuses, électriques et à gaz, doivent avoir une évacuation donnant sur l'extérieur.

À l'extérieur du Canada et des États-Unis :

- Consulter les codes locaux.



DANGER – Les conduits en plastique et en matériau non métallique flexibles présentent des risques d'incendie.

NE JAMAIS UTILISER DE CONDUITS EN PLASTIQUE OU EN MATÉRIAU NON MÉTALLIQUE FLEXIBLE.

Si le conduit existant est en plastique ou en matériau non métallique ou combustible, le remplacer par un conduit métallique. Utiliser uniquement un conduit métallique qui ne permettra pas la combustion pour canaliser l'air d'évacuation, la chaleur et la charpie.

Les conduits flexibles en plastique peuvent se déformer, se trouver écrasés, percés. Ils peuvent réduire l'écoulement de l'air, prolonger le temps de séchage et affecter le bon fonctionnement de la sécheuse.

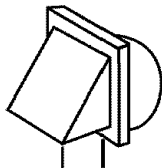
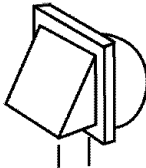
POUR DES RÉSULTATS OPTIMUMS, UTILISER UN CONDUIT D'UN DIAMÈTRE MINIMUM DE 4 PO1 (0,2 CM), EN ALUMINIUM RIGIDE OU EN ACIER GALVANISÉ RIGIDE. Ne pas utiliser un conduit d'un diamètre plus petit. Les conduits d'un diamètre supérieur à 4 po (10,2 cm) de diamètre peuvent provoquer une plus grande accumulation de charpie. Toute accumulation de charpie doit être nettoyée régulièrement. Si un conduit en métal flexible doit être utilisé, il est préférable d'en employer un à paroi en tôle rigide. Ne pas utiliser de conduit flexible à parois en fine feuille d'aluminium. De sérieux blocages peuvent se produire si le conduit flexible se trouve trop fortement courbé. Ne jamais installer de conduit flexible dans les murs, les plafonds ou tout autre espace clos d'un bâtiment où il sera invisible.

Faire en sorte que le conduit soit aussi droit et court que possible. S'il est plus long que recommandé, cela peut prolonger la durée du séchage, affecter le fonctionnement de la sécheuse ou entraîner l'accumulation de charpie. Recouvrir les joints de ruban isolant. Ne pas utiliser de vis.

NE PAS ÉVACUER L'AIR D'UNE SÉCHEUSE DANS UN MUR, UN PLAFOND, UN VIDE SANITAIRE OU L'ESPACE CLOS D'UN BÂTIMENT, NI DANS UN CONDUIT DE VENTILATION, UNE ÉVACUATION DE GAZ OU UNE CHEMINÉE. LA CHARPIE EXPULSÉE POURRAIT CRÉER DES RISQUES D'INCENDIE.

Le conduit d'évacuation doit se terminer par une hotte d'évacuation équipée d'un clapet pivotant à sens unique pour éviter les retours d'air et l'entrée d'animaux dans le conduit. Ne jamais utiliser de hotte d'évacuation à clapet magnétique. La hotte doit être placée de façon à ce qu'il y ait un espace d'au moins 12 po (30,5 cm) entre le bas de la hotte et le sol ou autre obstruction. L'ouverture de la hotte doit pointer vers le bas. Ne jamais installer de grille ni de filtre sur la sortie d'air.

Autant que possible, la hotte ne doit pas s'évacuer directement dans une fosse de fenêtre, pour éviter l'accumulation de charpie. Ne pas faire déboucher l'évacuation sous une maison ou une galerie.

| Type de hotte d'évacuation | | |
|--|--|---|
| Nombre de coudes à 90° |  4 po (10,2 cm) |  2 1/2 po (6,4 cm) |
| Longueur maximum d'un conduit rigide métallique de 4 po (10,2 cm) de diamètre | | |
| 0 | 65 pi (165,1 cm) | 59 pi (149,9 cm) |
| 1 | 54 pi (127,2 cm) | 48 pi (121,9 cm) |
| 2 | 44 pi (111,8 cm) | 38 pi (96,5 cm) |
| 3 | 36 pi (91,4 cm) | 30 pi (76,2 cm) |
| 4 | 28 pi (71,1 cm) | 22 pi (55,9 cm) |
| Longueur maximum d'un conduit métallique flexible de 4 po (10,2 cm) de diamètre à parois rigides | | |
| 0 | 36 pi (91,4 cm) | 28 pi (71,1 cm) |
| 1 | 32 pi (81,3 cm) | 24 pi (60,9 cm) |
| 2 | 28 pi (71,1 cm) | 24 pi (50,8 cm) |
| 3 | 25 pi (63,5 cm) | 17 pi (43,2 cm) |
| 4 | 23 pi (58,4 cm) | 15 pi (38,1 cm) |

Si le conduit d'évacuation doit traverser une pièce non chauffée, l'isoler et lui donner une légère pente vers la hotte d'évacuation pour réduire la condensation et l'accumulation de charpie.

Si un système d'évacuation existant doit être utilisé pour la sècheuse, veiller à ce que :

- le système d'évacuation soit conforme à tous les codes locaux, régionaux et nationaux ;
- du conduit flexible en plastique ne soit pas utilisé ;
- l'intérieur du conduit soit inspecté à fond et toute accumulation de charpie soit enlevée ;
- le conduit ne soit pas plié ou écrasé ;
- le clapet de la hotte d'évacuation s'ouvre et se ferme librement.

La contre-pression d'un conduit d'évacuation ne doit pas dépasser 0,92 po de colonne d'eau (0,228 kPa) ni être inférieure à 0. On peut la mesurer, à l'aide d'un manomètre, au point où le conduit d'évacuation est raccordé à la sècheuse. Utiliser un réglage où il n'y a pas de production de chaleur. Le tambour doit être vide et le filtre à charpie propre.

Vérifier et nettoyer l'intérieur des conduits au moins une fois par an. Débrancher la sècheuse ou couper le secteur avant de procéder au nettoyage. Dans le cas de sècheuses à gaz, vérifier la conduite de gaz chaque fois que la sècheuse est déplacée.

Vérifier fréquemment que la hotte d'évacuation s'ouvre et se ferme librement.

INSTALLATIONS SANS CONDUIT D'ÉVACUATION

Si la sècheuse (modèle électrique) n'est pas évacuée sur l'extérieur, il ne faut pas que l'évacuation aboutisse derrière celle-ci. Installer un déflecteur rectangulaire ainsi qu'un filet à charpie en dacron (voir sous « Accessoires »). Maintenir un espace de dégagement de 6 po (15,2 cm) entre l'arrière du tableau de commande et le mur. Bien que le filtre et le filet à charpie retiennent la plus grande partie de la charpie, une certaine quantité se trouvera évacuée dans la pièce.

ATTENTION : SI L'ÉVACUATION DE LA SÈCHEUSE NE SE FAIT PAS SUR L'EXTÉRIEUR, UNE FINE CHARPIE SERA ÉVACUÉE DANS LA PIÈCE. TOUTE ACCUMULATION DE POUSSIÈRE OU DE CHARPIE REPRÉSENTE UN RISQUE D'INCENDIE. TOUTE ACCUMULATION DE CHARPIE DOIT ÊTRE NETTOYÉE FRÉQUEMMENT.

ALIMENTATION EN GAZ

Utiliser uniquement du gaz naturel ou de pétrole liquéfié (GPL).

L'INSTALLATION DOIT ÊTRE CONFORME AUX CODES LOCAUX OU, À DÉFAUT, AU « NATIONAL FUEL GAS CODE » ANSI Z223.1, DERNIÈRE ÉDITION (ÉTATS-UNIS) OU AUX CODES CAN/AGC-B149 (CANADA).

Les sècheuses à gaz sont équipées d'orifices de brûleurs prévus pour le gaz NATUREL. **Si la sècheuse doit être utilisée avec du GPL (propane liquide), elle doit être convertie à ce gaz pour fonctionner correctement et sans danger.** La conversion doit être faite par un technicien qualifié. Des nécessaires de conversion GAZ NATUREL-GPL ou GPL-GAZ NATUREL sont disponibles auprès de votre détaillant Maytag (voir sous « Accessoires »). Pour toute autre conversion, obtenir tous les renseignements et spécifications nécessaires auprès de votre fournisseur de gaz.

Une conduite de gaz de 1/2 po (1,27 cm) est recommandée et elle doit être réduite pour pouvoir être raccordée à la conduite de gaz de 3/8 po (1,0 cm) de la sècheuse.

Le « National Fuel Gas Code » (code du gaz) exige qu'un robinet d'arrêt manuel acceptable et homologué soit installé à moins de 6 pi (1,83 m) de la sècheuse.

Par ailleurs, une prise à prélèvement de 1/8 po (0,3 m) NPT (National Pipe Thread) doit être accessible pour le raccordement sur un manomètre à des fins de test. Cette prise doit être installée immédiatement en amont de l'arrivée de gaz à la sècheuse.

La sècheuse doit être désolidarisée de la conduite de gaz pendant tout test de pression.

NE PAS réutiliser une ancienne conduite métallique flexible. Une conduite flexible doit être d'une conception homologuée par l'American Gas Association (CGA/AGC au Canada). **REMARQUE** : Toute pâte à joints utilisée doit résister à l'action de tout gaz de pétrole liquéfié.

REMARQUE : La plupart des compagnies de gaz locales vérifient l'installation d'appareils ménagers fonctionnant sur le gaz à titre gracieux.

ALLUMAGE DU GAZ -

Cette sècheuse utilise un système d'allumage automatique pour allumer le brûleur. **Elle n'a pas de veilleuse.**

ALIMENTATION EN ÉLECTRICITÉ

REMARQUE : Le schéma de câblage se trouve à l'intérieur de la console de commande.

Modèles destinés à l'exportation (ni au Canada ou aux États-Unis) : Voir ci-contre les instructions supplémentaires pour les modèles destinés à l'exportation.



DANGER : Pour éviter tout risque inutile d'incendie, d'électrocution ou de blessures, **tout le câblage et la mise à la terre doivent être effectués conformément aux codes locaux ou, à défaut, au « National Electrical Code » ANSI/NFPA (États-Unis) ou au Code canadien de l'électricité ANC C22.1 (Canada).**

MISE À LA TERRE

Cette sècheuse doit être mise à la terre. En cas de mauvais fonctionnement ou de panne, la mise à la terre réduit les risques d'électrocution en offrant une voie de moindre résistance au courant électrique.

MODÈLES À GAZ

Cette sècheuse est munie d'un cordon comportant un conducteur de mise à la terre et une prise avec borne de terre. La prise doit être branchée sur une prise murale appropriée correctement installée et reliée à la terre conformément aux codes et règlements locaux.

Ne pas modifier la prise de courant fournie avec la machine. Si elle ne convient pas à la prise murale, faire installer une prise murale adaptée par un électricien qualifié.

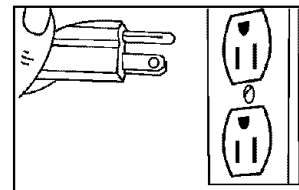
Si une mise à la terre séparée est exigée par les codes locaux, il existe un nécessaire de montage accessoire. Connecter le fil de terre au dos de la sècheuse à l'aide du fil électrique fourni dans le paquet d'accessoires. Fixer l'autre extrémité du fil de terre à une connexion de terre externe qui convient. Il peut par exemple être fixé à l'aide d'un attache-fils à un tuyau métallique d'alimentation en eau FROIDE relié à la terre.

NE JAMAIS CONNECTER LE FIL DE PRISE DE TERRE À DES CONDUITES D'EAU EN PLASTIQUE, DES CONDUITES DE GAZ OU À UNE ARRIVÉE D'EAU CHAUDE.

MODÈLES ÉLECTRIQUES

Les modèles électriques américains sont dotés d'une barrette de mise à la terre qui relie la borne neutre au châssis de la sècheuse. Si, cependant, les barrettes de mise à la terre sont interdites par les codes locaux, la sècheuse doit être reliée à la terre conformément aux codes locaux.

Si un cordon d'alimentation n'est pas utilisé et que la sècheuse électrique doit être alimentée en permanence, elle doit être branchée sur un câblage métallique permanent relié à la terre ou bien un conducteur de mise à la terre doit être passé avec les fils électriques et relié à la borne de terre qui se trouve sur le panneau arrière.



CONNEXIONS ÉLECTRIQUES

AVANT DE FAIRE FONCTIONNER LA SÈCHEUSE OU DE LA TESTER, suivre toutes les instructions de mise à la terre.

Il est recommandé de brancher la sècheuse sur un circuit séparé.

NE PAS UTILISER DE RALLONGE.

MODÈLES À GAZ – États-Unis et Canada

La sècheuse requiert une installation de 120 V et 60 Hz protégée par un fusible de 15 A ou un disjoncteur.



MODÈLES ÉLECTRIQUES – États-Unis seulement

La plupart des sècheuses destinées au marché américain sont conçues pour fonctionner sur une installation homologuée de 120/240 V, 60 Hz CA. Certaines fonctionnent sur une installation homologuée de 120/208 V, 60 Hz. Les normes concernant l'alimentation en électricité se trouvent sur l'étiquette apposée à l'avant derrière la porte. Il est nécessaire de poser un fusible de 30 A ou un disjoncteur des deux côtés de la ligne.

Pour fonctionner sur une installation homologuée de 120/208 V, une sècheuse électrique américaine de 120/240 V devra être convertie à ce type d'installation. Un nécessaire de conversion de l'élément chauffant est disponible (voir sous « Accessoires »).

Si un cordon d'alimentation est utilisé, il doit être branché sur une prise murale d'une capacité de 30 A.

Le cordon d'alimentation **N'EST PAS** fourni pour les modèles commerciaux aux États-Unis.

IMPORTANT : Lorsque les codes locaux le permettent, l'alimentation électrique de la sècheuse peut être assurée au moyen d'un cordon d'alimentation spécial pour sècheuse homologué UL pour usage sur une installation de 120/240 V et 30 A minimum, composé de trois fils conducteurs en cuivre de jauge 10 se terminant par une cosse à boucle fermée ou à griffes ouvertes relevées ou dont les extrémités sont étamées.

Ne pas réutiliser de cordon d'alimentation provenant d'une vieille sècheuse. Le câblage d'alimentation électrique du cordon doit être doté d'une retenue mécanique à bride homologuée UL.

Si la sècheuse doit être mise en service dans une maison mobile ou une zone où les codes locaux n'autorisent pas la mise à la terre par le neutre, seul un cordon à 4 fils répondant aux spécifications de puissance et terminé tel qu'indiqué ci-dessus peut être utilisé.

MODÈLES ÉLECTRIQUES – Canada seulement

La sècheuse requiert une installation de 120/240 V et 60 Hz protégée par un fusible de 30 A ou un disjoncteur des deux côtés de la ligne.

Tous les modèles canadiens ont un cordon d'alimentation installé en usine. Le cordon d'alimentation doit être branché sur une prise murale d'une capacité de 30 A.

REMARQUE : Il n'est pas permis de convertir une sècheuse au 208 V au Canada.

PIÈCES DE RECHANGE ET ACCESSOIRES

Si la sècheuse requiert des pièces de rechange ou des accessoires, contacter le détaillant où elle a été achetée ou le Service-clients Maytag, P.O. Box 2370, Cleveland, Tennessee 37320-2370, États-Unis, ou téléphoner au 423-472-3333 pour connaître le distributeur de pièces détachées Maytag agréé le plus proche.

MISE EN SERVICE

Les pièces et la documentation se trouvent dans le tambour de la sècheuse.

Pour effectuer la mise en service...

1. Mettre la sècheuse à un emplacement approprié pour effectuer la mise en service. Lorsque la machine à laver et la sècheuse sont placées côte à côte, il est recommandé de faire l'installation de la sècheuse avant celle de la machine à laver pour permettre le raccordement au gaz et à l'électricité ainsi que l'évacuation.

Placer les deux montants d'angle en carton à plat sur le plancher, basculer la sècheuse vers l'avant et la coucher de façon à ce qu'elle repose sur les montants.

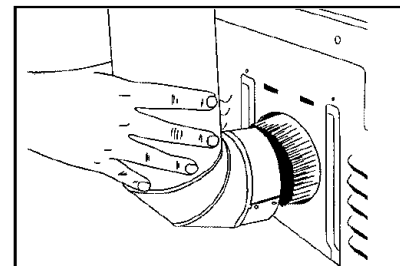
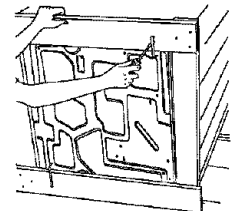
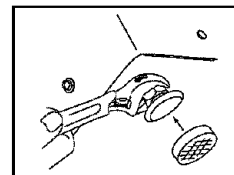
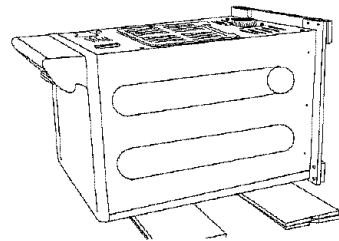
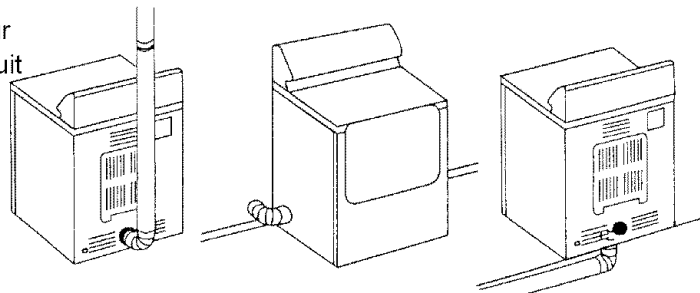
2. Enlever les fils de retenue fixant la base de la caisse au bas du châssis à l'aide d'un tournevis.

3. Desserrer les vis de blocage des pieds réglables avant et poser les pieds en vinyle.

4. Redresser la sècheuse.

5. Revoir la partie « Évacuation », au verso, avant d'installer le système d'évacuation. Monter le conduit entre la sècheuse et la hotte d'évacuation. La partie ondulée des trois sections de tuyau doit être placée dans la direction de la hotte. **NE PAS utiliser des vis à tôle sur les conduits rigides. Ces joints doivent être maintenus en place à l'aide de ruban adhésif. Ne jamais utiliser de conduit flexible en plastique.**

Conseil pour les espaces exigus : Monter le conduit sur la sècheuse avant de la mettre en place. Fixer le conduit sur la sècheuse à l'aide de ruban adhésif en veillant à ne pas couvrir les volets de ventilation de la carrosserie de la sècheuse.



- Une connexion inadéquate du conducteur de mise à la terre peut provoquer l'électrocution. Consulter un électricien ou un réparateur en cas de doute sur la bonne mise à la terre de la machine. Ne pas modifier la prise de courant fournie avec la machine. Si elle ne convient pas à la prise murale, faire installer une prise murale adaptée par un électricien qualifié.
- Pour éviter tout risque inutile d'incendie, d'électrocution ou de blessure, tous branchements et mises à la terre doivent être conformes au « National Electrical Code » ANSI/NFPA n° 70, dernière édition (États-Unis), ou au Code canadien de l'électricité ANC C22.1, dernière édition, ainsi qu'aux codes et règlements locaux. La responsabilité et le devoir de prévoir une alimentation électrique adéquate pour cette sècheuse reviennent au propriétaire.
- L'installation du gaz doit être conforme au « National Fuel Gas Code » ANSI Z223.1, dernière édition, (États-Unis) ou aux codes CAN/AGC-B149, dernière édition, (Canada) ainsi qu'aux codes et règlements locaux.

6. SÉCHEUSE À GAZ

Revoir les caractéristiques de l'alimentation en gaz au verso.

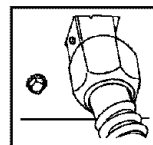
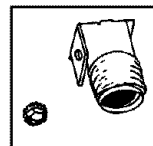
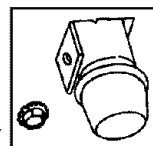
Enlever le manchon protecteur du filetage.

Enduire tous les filetages de pâte à joints ou les couvrir d'environ un tour et demi de ruban en Teflon.

REMARQUE : La pâte à joints doit être prévue pour résister à l'action de tout gaz de pétrole liquéfié.

Raccorder la sécheuse à la conduite de gaz. Un raccord supplémentaire est nécessaire pour visser l'extrémité femelle de 3/4 po (1,9 cm) d'un connecteur flexible sur l'extrémité mâle de 3/8 po (1,0 cm) de la sécheuse. Bien serrer les raccords de la conduite de gaz.

Ouvrir l'arrivée de gaz. Vérifier qu'aucun des raccords ne fuit à l'aide d'une solution de savon et d'eau. Si des bulles apparaissent, resserrer les raccords et revérifier. **NE PAS utiliser une flamme nue pour vérifier les fuites de gaz.**



6. SÉCHEUSE ÉLECTRIQUE

Revoir les spécifications de l'alimentation en électricité au verso.

AVANT DE TESTER OU DE FAIRE FONCTIONNER LA MACHINE, suivre les consignes de mise à la terre au verso.

MODÈLES AMÉRICAINS :

IMPORTANT : Tous les modèles américains sont conçus pour une CONNEXION À 3 FILS. Le châssis de la sécheuse est relié au conducteur neutre au niveau du bornier. Une CONNEXION À 4 FILS est nécessaire pour une construction neuve ou rénovée, une maison mobile, ou si les codes locaux ne permettent pas la mise à la terre par le conducteur neutre. Si un système à 4 fils est utilisé, le châssis de la sécheuse ne peut être relié au conducteur neutre au niveau du bornier. Voir les instructions suivantes concernant les CONNEXIONS À 3 ET À 4 FILS.

Enlever les couvercles du bornier.

Insérer le cordon d'alimentation équipé d'une retenue mécanique à bride homologuée UL à travers le trou prévu à cet effet dans la carrosserie près du bornier. **REMARQUE** : Une retenue mécanique à bride doit être utilisée.

Ne pas desserrer les écrous déjà installés sur le bornier. S'assurer qu'il sont bien serrés. Utiliser une douille d'une profondeur de 3/8 po (1,0 cm).

CONNEXIONS À 3 FILS

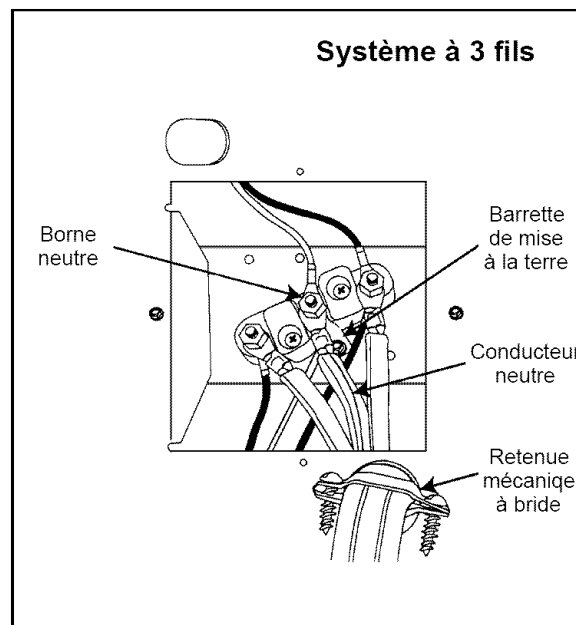
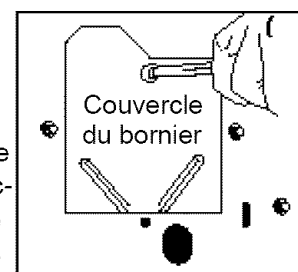
Si le cordon d'alimentation est muni de bornes, placer celles-ci sur les écrous se trouvant sur la borne. Le fil neutre (fil blanc ou fil situé au centre du cordon d'alimentation) doit toujours être relié à la borne centrale (de couleur argent) du bornier.

Fixer en place avec les écrous compris dans le nécessaire de pièces. Si le cordon d'alimentation n'est pas muni de bornes, utiliser des rondelles avant les écrous.

S'assurer que les écrous du bornier sont bien serrés. Fixer le cordon d'alimentation en place. Serrer les vis de la retenue mécanique à bride pour fixer celle-ci au cordon.

Remettre le couvercle du bornier en place.

DANGER : En cas de conversion d'un système à 4 fils à un système à 3 fils, la barrette de mise à la terre doit être reconnectée au support du bornier pour mettre le châssis de la sécheuse à la masse sur le neutre.



CONNEXIONS À 4 FILS

Enlever la barrette de mise à la terre du support du bornier. La plier de façon à ce que les deux extrémités soient fixées à la borne centrale du bornier.

Raccorder le conducteur neutre (blanc) du cordon à la borne centrale (couleur argent) du bornier. Raccorder le fil (vert) de mise à la terre du cordon au support du bornier à l'aide de la vis de la barrette de mise à la terre.

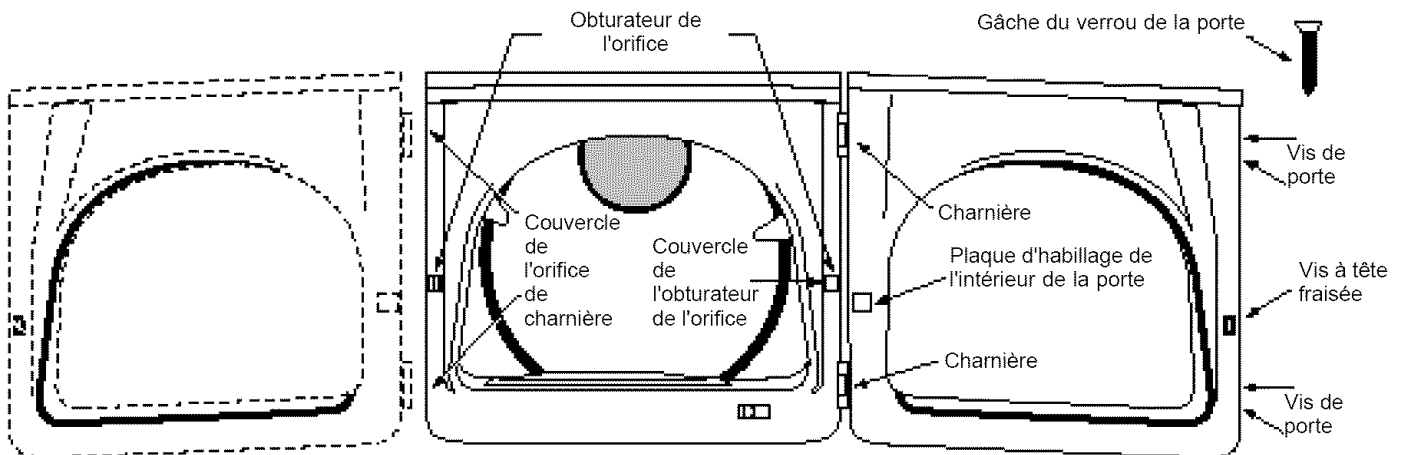
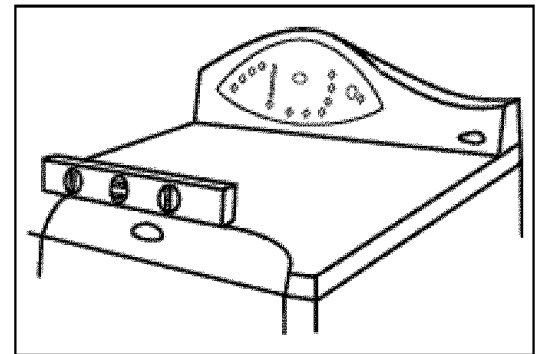
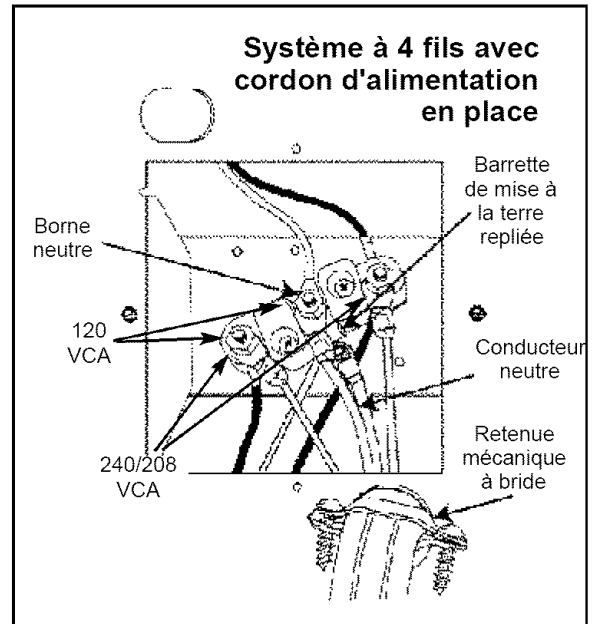
Raccorder les fils rouge et noir du cordon aux bornes des deux extrémités du bornier.

Veiller à ce que les écrous du bornier soient bien serrés. Fixer le cordon d'alimentation en place. Serrer le(s) vis de la retenue mécanique à bride de façon à serrer la bride sur le cordon. Remettre le couvercle du bornier en place.

MODÈLES DESTINÉS À L'EXPORTATION

Consulter la section « Informations complémentaires ».

7. À l'aide d'un niveau, vérifier que la sécheuse est de niveau et ajuster les pieds réglables comme il convient. Une fois la sécheuse de niveau, serrer les contre-écrous des pieds réglables à l'aide d'une clé.
8. La direction d'ouverture de la porte de la sécheuse peut être inversée.
 1. Si la sécheuse est branchée, la débrancher du secteur.
 2. Enlever les obturateurs des orifices pour charnières et les vis. Déplacer l'obturateur du loquet de l'autre côté.
 3. Tout en tenant la porte, enlever les 2 vis qui se trouvent dans les charnières et les fixent à la carrosserie.
 4. Enlever la porte en la soulevant légèrement au niveau des charnières et en enlevant les languettes des charnières de leurs fentes en tirant.
 5. Faire passer les pièces suivantes du côté opposé de la porte : 2 charnières et leurs 4 vis, 4 vis de la porte, gâche du loquet de la porte et sa vis, plaque d'habillage de l'intérieur de la porte et sa vis.
 6. Monter la porte du côté opposé à l'aide des deux vis à charnières à tête fraisée. (Voir ci-dessous.)
 7. Si la vis de la charnière inférieure est insérée en place la première, il sera plus facile d'aligner la porte et les charnières.
 8. Remettre les obturateurs des orifices pour charnières et les vis en place du côté opposé.



- 9.** Vérifier alors que tous les raccordements au gaz et à l'électricité ainsi que l'évacuation de la sècheuse sont terminés. Brancher la sècheuse et vérifier son bon fonctionnement à l'aide de la liste de vérification ci-dessous.
- 10.** (MODÈLES À GAZ SEULEMENT)

Le brûleur peut ne pas s'allumer au départ en raison de la présence d'air dans la conduite de gaz. Faire tourner la sècheuse sur un cycle où il y a production de chaleur pour éliminer l'air de la conduite. Si le brûleur ne s'allume pas dans les 5 minutes, arrêter la sècheuse et attendre 5 minutes. Vérifier que l'arrivée de gaz à la sècheuse est ouverte. Confirmer que le brûleur est allumé en s'assurant qu'il y a production de chaleur au niveau de l'évacuation.

LISTE DE VÉRIFICATION FINALE

- La sècheuse est branchée dans une prise électrique et elle est correctement reliée à la terre.
- Le raccordement de la conduite d'évacuation est effectué et les joints sont recouverts de ruban adhésif.
- Absence de conduits flexibles en plastique.
- Utilisation de conduits rigides ou de conduits flexibles à parois rigides pour l'évacuation.
- La sècheuse est de niveau, elle repose fermement sur ses quatre pieds et les contre-écrous des pieds réglables sont bien serrés.
- Les embouts en vinyle des pieds ont été posés.
- Modèles à gaz : le gaz est ouvert, il n'y a pas de fuites de gaz.
- La sècheuse tourne, produit de la chaleur et s'éteint.
- Démontrer le fonctionnement de la sècheuse à l'utilisateur.

ACCESSOIRES D'INSTALLATIONS COMMERCIALES

- Hotte de ventilation – ouverture de 4 po (10,16 cm) – 059129
- Tuyau en aluminium – 4 x 24 po (10,16 cm x 60,96 cm) – 059130
- Coude en aluminium – 4 po (10,16 cm) – 059131
- Plaque de fenêtre en aluminium – 15 x 20 po (38,10 cm x 50,80 cm) – ouverture de 4 po (10,16 cm) – 059134
- Conduite d'aération en aluminium flexible – 4 po (10,16 cm) de diamètre – 38 po (81,28 cm) pouvant s'étirer jusqu'à 8 pi (2,44 cm) – 304353
- Pince pour conduite en aluminium flexible – 304630
- Nécessaire de conduite pour base ou évacuation du côté gauche – 12001453
- Nécessaires d'aération rectangulaires – 059144
- Filet à charpie en Dacron – 311353
- Nécessaire de conversion du gaz NATUREL au GPL – 306195
- Nécessaire de conversion du GPL au gaz NATUREL – 306204
- Nécessaire de support de pivot – 303740
- Nécessaire de conversion de la résistance 208 V, non homologué au Canada – 308590
- Fil de mise à la terre – 311155
- Pince de mise à la terre – 301548
- Cordons d'alimentation – 240 V, 30 A
 - 4 pi (121,9 cm) - 3 fils - 33001780
 - 5 pi (152,4 cm) - 3 fils - 33001822
 - 6 pi (182,9 cm) - 3 fils - 33001823
 - 10 pi (304,8 cm) - 3 fils - 33001838
 - 4 pi (121,9 cm) - 4 fils - 33001781
 - 5 pi (152,4 cm) - 4 fils - 33001824
 - 6 pi (182,9 cm) - 4 fils - 33001825
 - 10 pi (304,8 cm) - 4 fils - 33001838

Les non-voyants peuvent apposer des étiquettes en Braille sur le panneau de commande de l'appareil. Consulter votre Association locale des non-voyants pour de plus amples renseignements concernant les fabricants d'étiquettes en Braille.

INFORMATIONS COMPLÉMENTAIRES POUR LES MODÈLES DESTINÉS À L'EXPORTATION

(ni aux États-Unis ni au Canada)

Communiquer avec le distributeur qui a vendu l'appareil ou avec : Maytag International, 8700 W. Bryn Mawr Avenue, Chicago, Illinois 60631 États-Unis, téléphone, 773-714-0100, pour toute information concernant le produit, les dommages attribuables à l'expédition, les pièces de rechange et les accessoires.

Les modèles de sècheuse Maytag fabriqués pour fonctionner sur une alimentation en 60 Hz CA ne sont pas conçus pour fonctionner sur une alimentation en 50 Hz CA et leur conversion du 60 Hz au 50 Hz est déconseillée. Pour plus de renseignements sur les appareils fonctionnant sur le 50 Hz, communiquer avec Maytag International.

Les normes d'installation électrique peuvent être consultées sur l'étiquette se trouvant à l'avant de la sècheuse, derrière la porte.

MODÈLES ÉLECTRIQUES DESTINÉS À L'EXPORTATION

Les modèles électriques destinés à l'exportation sont fabriqués pour fonctionner sur une alimentation approuvée de 230/240 V, 50 Hz ou 220 V, 60 Hz. Une alimentation électrique bifilaire avec fusible de 30 A ou disjoncteur est nécessaire. La sècheuse doit être reliée correctement à la terre avec un fil de mise à la terre.

IMPORTANT : Lorsque les codes locaux le permettent, l'alimentation électrique de la sècheuse peut être assurée au moyen d'un cordon d'alimentation spécial pour sècheuse homologué UL pour usage sur une installation de 240 V et 30 A minimum et composé de deux fils conducteurs en cuivre de jauge 10 se terminant par une cosse à boucle fermée ou à griffes ouvertes relevées ou dont les extrémités sont étamées.

Ne pas réutiliser de cordon d'alimentation provenant d'une vieille sècheuse. Le câblage d'alimentation électrique du cordon doit être doté d'une retenue mécanique à bride homologuée par un organisme approprié.

CONNEXIONS DU SYSTÈME DE MISE À LA TERRE À 2 FILS

Enlever la plaque du bornier.

Passer le cordon d'alimentation avec retenue mécanique à bride homologué dans le trou se trouvant près du bornier. **Prendre note qu'une retenue mécanique à bride doit être utilisée.**

Ne pas desserrer les écrous déjà installés sur le bornier. S'assurer qu'il sont bien serrés. Utiliser une douille de 3/8 (1,0 cm).

Fixer le fil de mise à la terre du cordon d'alimentation au support du bornier à l'aide de la vis de mise à la terre.

Si le cordon d'alimentation est muni de bornes, placer celles-ci sur les écrous se trouvant sur les bornes. Le fil neutre du cordon d'alimentation doit être relié à la borne centrale (de couleur argent) du bornier.

Fixer en place avec les écrous compris dans le nécessaire de pièces. Si le cordon d'alimentation n'est pas muni de bornes, utiliser les rondelles bombées avant les écrous.

S'assurer que les écrous du bornier sont bien serrés. Fixer le cordon d'alimentation en place. Serrer la ou les vis de la retenue mécanique à bride pour la fixer au cordon.

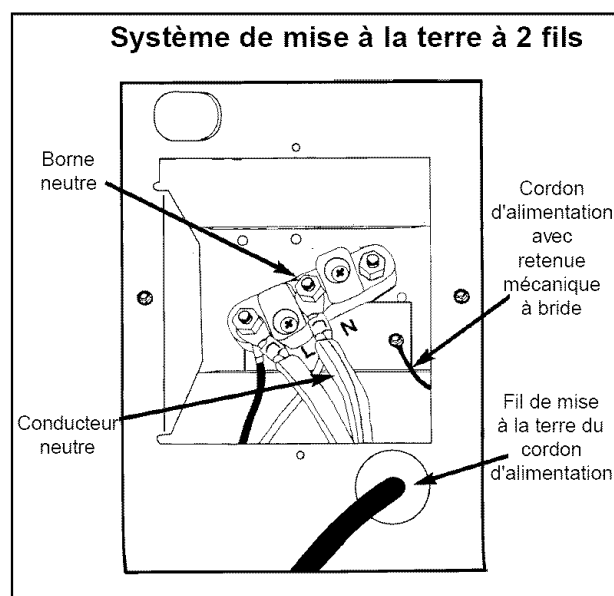
Remettre le couvercle du bornier en place.

AVANT DE TESTER OU DE FAIRE FONCTIONNER LA MACHINE, s'assurer qu'elle est correctement mise à la terre.

MODÈLES À GAZ DESTINÉS À L'EXPORTATION

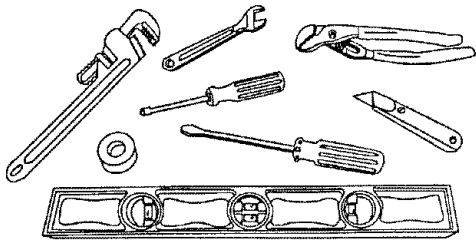
Les modèles à gaz destinés à l'exportation sont conçus pour fonctionner sur une alimentation homologuée de 230/240 V, 50 Hz ou 220 V, 60 Hz CA, avec un fusible de 15 A ou un disjoncteur.

Les modèles à gaz destinés à l'exportation ont été conçus pour fonctionner sur un gaz naturel dont la puissance de chauffage la plus élevée est d'environ 1 025 BTU/pi³ (38 190 kJ/m³) La conversion au propane liquide dont la puissance de chauffage la plus élevée est d'environ 2 500 BTU/pi³ (93 147 kJ/m³) doit être effectuée par un technicien qualifié. Un nécessaire de conversion est disponible.



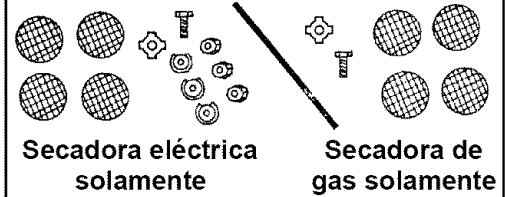
Lea esto antes de comenzar...

Herramientas necesarias para la instalación



- Cinta de teflón o compuesto para juntas de tubos (*gas solamente*)
- Navaja de uso general
- Llave inglesa (*gas solamente*)
- Llave de tuercas
- Nivel
- Desarmador (*estándar*)
- Cinta para tubos
- Llave ajustable

PIEZAS SUMINISTRADAS



Secadora eléctrica solamente

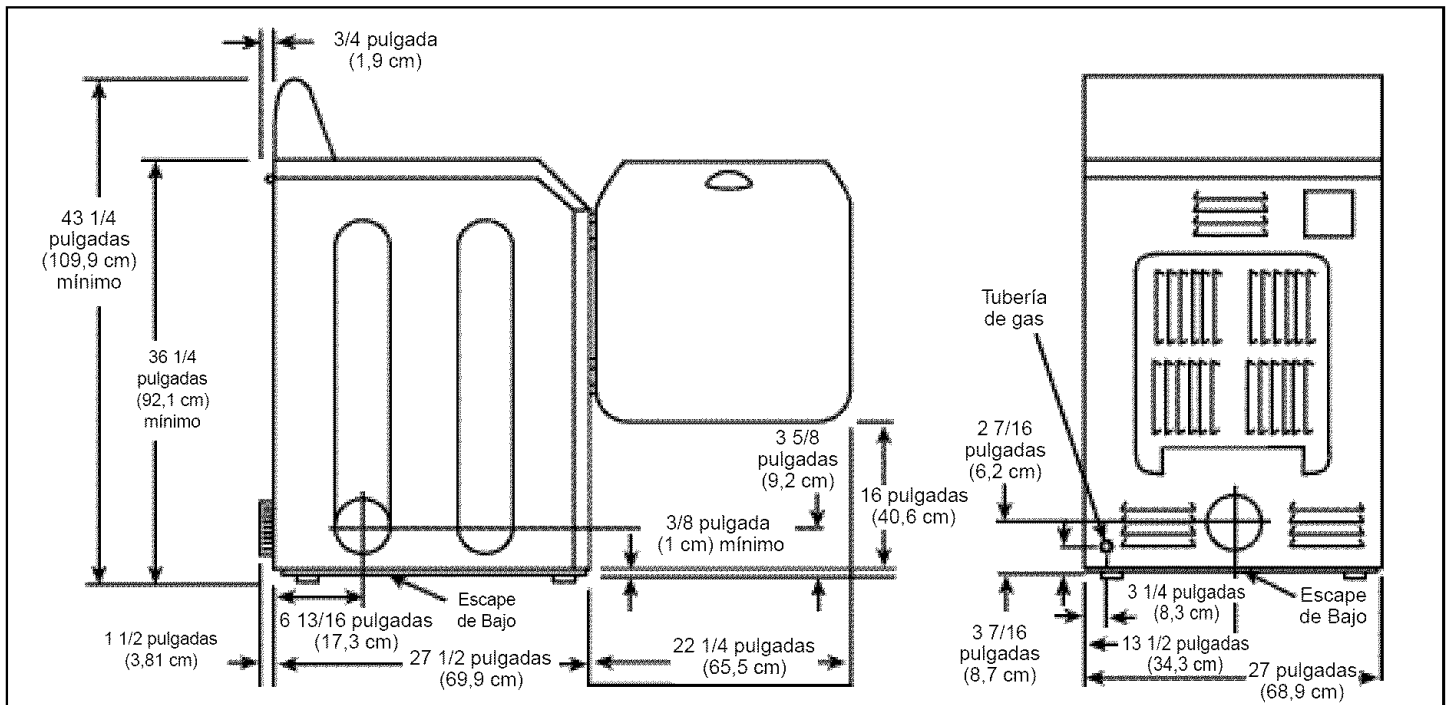
Secadora de gas solamente

El comprador es responsable de la instalación correcta de la lavadora.

NO OBSTANTE, LAS LLAMADAS DE SERVICIO EFECTUADAS COMO CONSECUENCIA DE UNA INSTALACION DEFICIENTE SON RESPONSABILIDAD DEL INSTALADOR.

Asegúrese de tener todo lo necesario para una instalación apropiada.

1. Se requiere una TOMA DE CORRIENTE CONECTADA A TIERRA. Vea los requisitos de electricidad.
2. CABLE ELÉCTRICO para secadoras eléctricas (excepto Canadá).
3. LÍNEAS DE GAS (si es secadora de gas) deben hacerse de acuerdo con los códigos nacional y locales.
4. SISTEMA DE ESCAPE - utilice tubería de escape de metal rígido o flexible con pared rígida. Consulte los Requerimientos de escape en esta sección.



INFORMACIÓN IMPORTANTE PARA EL INSTALADOR

SÍRVASE LEER LAS SIGUIENTES INSTRUCCIONES CON CUIDADO ANTES DE COMENZAR A INSTALAR LA LAVADORA. ESTAS INSTRUCCIONES DEBEN CONSERVARSE PARA REFERENCIA FUTURA.

QUITE LAS PUERTAS DE TODOS LOS APARATOS DESECHADOS PARA EVITAR EL PELIGRO DE QUE ALGÚN NIÑO SE ASFIXIE.

CONSIDERACIONES DE UBICACIÓN

Esta secadora debe colocarse de manera que quede suficiente espacio al frente para cargar la secadora, y suficiente espacio detrás de la lavadora para el sistema de escape.

Esta secadora tiene un escape posterior adaptado de fábrica. Para cambiar el escape por abajo o por el lado izquierdo, use el juego de accesorios de escape (vea Accesorios). Las instrucciones se incluyen con el juego.

Es importante asegurarse de que el cuarto cuente con ventilación adecuada. El área donde se coloque la secadora no debe obstruir el flujo de combustión ni el aire de ventilación.

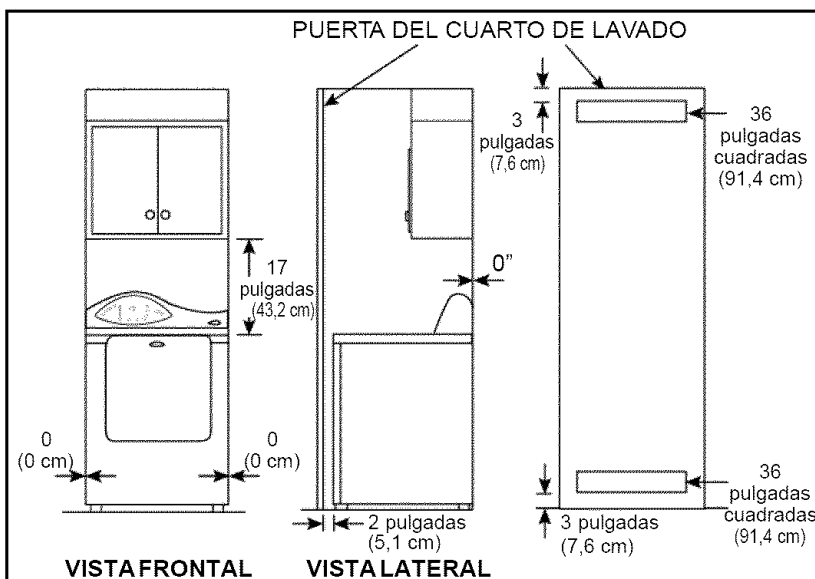
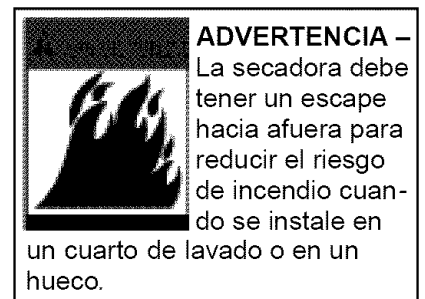
En las secadoras de gas debe haber un espacio libre adecuado según aparece en la placa de datos para asegurar la cantidad adecuada de aire y asegurarse de que haya suficiente aire para la combustión y el funcionamiento correcto de la secadora.

LA SECADORA **NO DEBE** INSTALARSE NI ALMACENARSE EN UN ÁREA EN DONDE ESTARÁ EXPUESTA AL AGUA Y/O A LA INTEMPERIE. EL ÁREA DE LA SECADORA DEBE MANTENERSE LIMPIA Y LIBRE DE MATERIALES COMBUSTIBLES, GASOLINA Y OTROS VAPORES Y LÍQUIDOS INFLAMABLES. LA SECADORA PRODUCE PELUSA COMBUSTIBLE. EL ÁREA ALREDEDOR DE LA SECADORA DEBE MANTENERSE LIBRE DE PELUSA.

INSTALACIÓN EN CUARTOS DE LAVADO O EN HUECOS

El cuarto de lavado en donde esté instalado un aparato no debe tener otro aparato que use combustible, instalado allí mismo.

Toda abertura en la puerta debe tener un mínimo de 36 pulgadas cuadradas (91,4 cm). Estas aberturas no deben estar obstruidas. (Las puertas con rejillas que tengan aberturas equivalentes son aceptables.)



Espacios libres mínimos de instalación. Se recomienda más espacio libre, si es posible.

INSTALACIÓN EN CASAS MÓVILES

La instalación de la secadora en casas móviles debe estar en conformidad con el título 24 CFR, Parte 32-80, de las normas de construcción y seguridad de casas (previamente conocida como el título 24, HUD [Parte 280] de las normas federales para la construcción y la seguridad de casas móviles, 1975) para los Estados Unidos, o las normas CSA Z240 para Canadá.

Cuando instale una secadora en una casa móvil, deben tomarse medidas para anclar la secadora al piso. Se encuentra disponible un juego de soporte de anclaje con instrucciones (vea Accesorios). Colóquela en un área que tenga ventilación adecuada. Se requiere un mínimo de 25 pulgadas cuadradas (63,5 cm) de abertura sin obstrucciones.

Toda instalación en casas móviles debe tener el escape hacia afuera con la terminación firmemente sujeta a la estructura de la casa móvil, usando materiales que no favorezcan la combustión. El ducto de escape no debe terminar debajo de la casa móvil. Vea la sección sobre escape para obtener más información.

ESCAPE

El escape de la secadora hacia afuera es obligatorio para evitar que se esparzan grandes cantidades de humedad y de pelusa en el cuarto.

En Estados Unidos:


- todas las secadoras de gas deben tener el escape hacia afuera.
- las secadoras eléctricas ubicadas en áreas confinadas tales como una recámara, un baño, o un cuarto de lavado deben tener el escape hacia afuera.
- las secadoras eléctricas que no están ubicadas en un área confinada pueden tener el escape hacia adentro (vea instalaciones sin escape).

En Canadá:

- todas las secadoras de gas y eléctricas deben tener el escape hacia afuera.

Fuera de EE.UU. y Canadá:

- consulte los códigos locales.



ADVERTENCIA – La tubería flexible de plástico o no metálica presenta un peligro potencial.

NUNCA UTILICE TUBERÍA FLEXIBLE DE PLÁSTICO O NO METÁLICA.

Si la tubería actual de su casa es de plástico, no metálica o combustible, reemplácela con tubería metálica. Utilice solamente tubos de escape metálicos que no se prendan fácilmente para asegurar la contención del aire del escape, del calor y de la pelusa.

El ducto de plástico flexible se puede doblar, ablandar o agujerar. También puede reducir el flujo de aire de salida, alargar el tiempo de secado o en general afectar la operación total de secado.

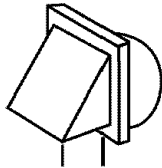
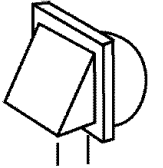
USE UN TUBO DE ALUMINIO RÍGIDO CON UN DIÁMETRO MÍNIMO DE 4 PULGADAS (10,2 CM) O DE ACERO GALVANIZADO RÍGIDO. No use un ducto más pequeño. Los tubos con un diámetro mayor de 4 pulgadas (10,2 cm) pueden producir una mayor acumulación de pelusa. Es preciso que limpie periódicamente la acumulación de pelusa. Si es necesario utilizar un tubo de metal flexible, es preferible que utilice el tipo de tubo que tenga una pared metálica rígida. No use un ducto flexible con una pared de hoja metálica delgada. Se puede producir un bloqueo severo si el ducto metálico flexible se dobla demasiado. Nunca instale ningún tipo de ducto flexible en paredes, techos u otros espacios ocultos.

Mantenga los tubos del escape lo más derechos y cortos posible. Los sistemas de escape más largos de lo recomendado pueden aumentar los tiempos de secado, afectar el funcionamiento de la secadora y acumular pelusa. Asegure las uniones con cinta para tuberías. No utilice tornillos.

NO DIRIJA EL ESCAPE DE LA SECADORA HACIA LA PARED, EL TECHO, LOS ESPACIOS ANGOSTOS, NI LOS ESPACIOS CERRADOS DE UN EDIFICIO, LA VENTILA DE GAS NI HACIA NINGÚN OTRO DUCTO COMÚN O CHIMENEA. ESTO PODRÍA CAUSAR UN PELIGRO DE INCENDIO DEBIDO A LA PELUSA QUE DESPIDE LA SECADORA.

El extremo del tubo de escape debe tener un capuchón de escape con una compuerta giratoria para impedir que el aire se regrese al tubo y la entrada de animales. NUNCA utilice un capuchón de escape con una compuerta magnética. El capuchón debe tener cuando menos 12 pulgadas (30,5 cm) de espacio libre entre la parte inferior del capuchón y el suelo u otra obstrucción. La abertura del capuchón debe estar apuntando hacia abajo. NUNCA instale un filtro en la salida del escape.

Cuando sea posible no dirija el escape de la secadora directamente hacia un hueco de ventana a fin de impedir que se acumule la pelusa. No dirija el escape hacia abajo de la casa ni del porche.

| Tipos de Capuchones de Escape | | |
|--|---|---|
| Número de vueltas de 90° |  4 pulgadas (9,2 cm) |  2 1/2 pulgadas (6,4 cm) |
| Longitud máxima del tubo de metal rígido con diámetro de 4 pulgadas (10,2 cm) | | |
| 0 | 65 pies (165,1 cm) | 59 pies (149,9 cm) |
| 1 | 54 pies (127,2 cm) | 48 pies (121,9 cm) |
| 2 | 44 pies (111,8 cm) | 38 pies (96,5 cm) |
| 3 | 36 pies (91,4 cm) | 30 pies (76,2 cm) |
| 4 | 28 pies (71,1 cm) | 22 pies (55,9 cm) |
| Longitud máxima del tubo flexible con pared metálica rígido con diámetro de 4 pulgadas (10,2 cm) | | |
| 0 | 36 pies (91,4 cm) | 28 pies (71,1 cm) |
| 1 | 32 pies (81,3 cm) | 24 pies (60,9 cm) |
| 2 | 28 pies (71,1 cm) | 20 pies (50,8 cm) |
| 3 | 25 pies (63,5 cm) | 17 pies (43,2 cm) |
| 4 | 23 pies (58,4 cm) | 15 pies (38,1 cm) |

Si tiene que dirigir la tubería del escape a través de un área sin calefacción, es preciso que aisle el tubo y que lo coloque ligeramente inclinado hacia abajo en dirección al capuchón del escape para reducir la condensación y la acumulación de pelusa.

Si se va a utilizar en la secadora un sistema de escape ya existente, debe asegurarse de:

- Que el sistema de escape cumpla con todos los códigos locales, estatales y nacionales.
- Que no se utilice un tubo flexible de plástico.
- Inspeccionar y limpiar completamente las acumulaciones de pelusa en el interior del tubo.
- Que el tubo no esté torcido ni aplastado.
- Que la compuerta del capuchón se abra y se cierre fácilmente.

La presión estática de cualquier sistema de escape no debe exceder 0.92 pulgadas (0,228 kPa) de presión de agua, o estar por debajo de 0. Esta presión puede medirse colocando un manómetro en el punto de la salida de aire. Allí donde el ducto de plástico flexible se conecta con la secadora. Este flujo debe medirse con la secadora prendida en cualquiera de las posiciones de secado. La secadora debe estar desocupada y el filtro de pelusa completamente limpio.

Inspeccione y limpie el interior del sistema de escape cuando menos una vez al año. Desconecte el suministro eléctrico antes de realizar la limpieza. Revise la línea de las secadoras de gas cada vez que mueva la secadora.

Revise frecuentemente la secadora para cerciorarse de que la compuerta del capuchón del escape se abra y se cierre fácilmente.

INSTALACIONES SIN ESCAPE

Si la secadora eléctrica no tiene escape al exterior, el escape no debe terminar directamente detrás de la secadora. Use un juego para respiradero rectangular junto con una bolsa de malla de dacrón (vea Accesorios). Mantenga un espacio libre de 6 pulgadas (15,2 cm) entre la parte posterior del panel de control y la pared. Aunque el filtro de pelusa y la bolsa de pelusa retendrán la mayoría de la pelusa, un poco de ella se expulsará al área de la lavandería.

ADVERTENCIA: SI LA SECADORA NO TIENE ESCAPE AL EXTERIOR, UNA PEQUEÑA CANTIDAD DE PELUSA FINA SE EXPULSARÁ AL ÁREA DE LA LAVANDERÍA. LA ACUMULACIÓN DE POLVO O PELUSA EN CUALQUIER LUGAR DE UN HOGAR CREA UN PELIGRO DE INCENDIO. LAS ACUMULACIONES DE PELUSA DEBEN LIMPIARSE A MENUDO.

REQUERIMIENTOS DE GAS

Utilice solamente gas natural o LP (propano líquido).

LA INSTALACIÓN DEBE REALIZARSE EN CONFORMIDAD CON LOS CÓDIGOS LOCALES, O EN LA AUSENCIA DE ÉSTOS, CON EL CÓDIGO NACIONAL DE GAS ANSI/Z223.1, ÚLTIMA VERSIÓN (EN LOS ESTADOS UNIDOS), O CON LOS CÓDIGOS DE INSTALACIÓN CAN/CGA-B149 (EN CANADÁ).

Las secadoras de gas están equipadas con un orificio en el quemador para funcionar con gas NATURAL. **Si la secadora va funcionar con gas LP es preciso convertirla para obtener un desempeño seguro y correcto y la conversión debe realizarla un técnico de servicio competente.** Los juegos de conversión de gas natural a gas LP, o de gas LP a gas NATURAL están disponibles a través de su concesionario local (consulte la sección Accesorios). Si se requieren otras conversiones consulte con el servicio de gas local para obtener la información específica relacionada con los requerimientos de conversión.

Se recomienda una línea de suministro de gas de 1/2 pulgada (1,27 cm) y es preciso reducirla para conectarla a la línea de gas de 3/8 de pulgada (1,0 cm) en la secadora.

El Código Nacional de Gas requiere que se instale una válvula de cierre de gas manual, que esté accesible y aprobada a una distancia menor de 6 pies (1,83 m) de la secadora.

Además, debe instalarse inmediatamente un tapón roscado de 1/8 de pulgada (0,3 cm) N.P.T. (National Pipe Thread), que quede accesible para la conexión del calibrador de prueba. El tapón roscado debe quedar antes de la conexión del suministro de gas a la secadora.

La secadora debe estar desconectada del sistema de tubería del suministro de gas durante las pruebas de presión del sistema.

NO vuelva a utilizar la línea de gas de metal flexible vieja. El diseño de la línea flexible de gas debe ser certificado por la Asociación Americana de Gas (American Gas Association) (CGA en Canadá). **NOTA:** el compuesto para las juntas de tubos que se utilice debe ser resistente a la acción de los gases de petróleo licuado.

NOTA: Por cortesía, la mayoría de los departamentos locales de servicio de gas inspeccionan la instalación de los aparatos de gas.

IGNICIÓN DEL GAS -

Esta secadora utiliza un sistema de ignición automático para encender el quemador. **No tiene un piloto de encendido constante.**

REQUISITOS ELÉCTRICOS

NOTA: El diagrama de cableado se encuentra dentro del panel de acceso.

Modelos de exportación (para países fuera de EE.UU. o Canadá): Vea "instrucciones adicionales" para modelos de exportación al reverso de esta hoja.



ADVERTENCIA – Para evitar un riesgo innecesario de incendio, descarga eléctrica o lesión personal, **todo el cableado y todas las conexiones a tierra deben hacerse de acuerdo con la última versión del código eléctrico nacional ANSI/NFPA (para EE.UU.) o la última versión del código eléctrico canadiense CSA C22.1 (para Canadá) y los códigos locales.**

CONEXIÓN A TIERRA

Todas las secadoras deben estar conectadas a tierra. En caso de que fallara o se descompusiera el aparato, la conexión a tierra reducirá el riesgo de descargas eléctricas proporcionando una menor resistencia de la corriente eléctrica.

MODELOS DE GAS

Cada aparato está equipado con un cordón que tiene un conductor equipado a tierra y una clavija a tierra. La clavija debe estar conectada en a enchufe adecuado que esté correctamente instalado y conectado a tierra de acuerdo con todos los códigos y las disposiciones locales.

No modifique el enchufe suministrado con el electrodoméstico, si no encaja en el tomacorriente, haga que un electricista calificado instale el receptáculo apropiado.

Si los códigos locales requieren una conexión a tierra por separado, hay un cable de conexión a tierra y abrazadera de conexión a tierra accesorios disponible. Conecte el cable de conexión a tierra a la parte posterior de la unidad con el tornillo y la arandela de conexión a tierra del gabinete (que se encuentran en el paquete de piezas). Asegure el otro extremo del cable de conexión a tierra a conexión a tierra externo. El cable de conexión a tierra puede sujetarse con la abrazadera a la tubería de agua FRÍA.

NUNCA CONECTE EL CABLE DE CONEXIÓN A TIERRA A TUBERÍAS DE PLÁSTICO, LÍNEAS DE GAS NI A TUBERÍAS DE AGUA CALIENTE.

MODELOS ELÉCTRICOS

Los modelos eléctricos de EE.UU. se envían con una tira a tierra conectada desde el poste del bloque terminal neutro hasta el marco de cada secadora. Si los códigos locales prohíben el uso de una tira a tierra, es preciso que la secadora se conecte a tierra de acuerdo a los códigos locales.

Si no se utiliza un cordón eléctrico y la secadora eléctrica va a estar cableada permanentemente, es preciso que conecte la secadora a un sistema de cableado permanente, de metal conectado a tierra; o se debe pasar un conductor de tierra de equipo por los conductores de circuito y conectarse al terminal de tierra de equipo.

CONEXIONES ELÉCTRICAS

ANTES DE OPERARLA O PROBARLA, siga todas las instrucciones de puesta a tierra en la sección Conexión a tierra.

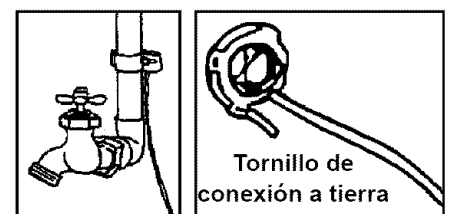
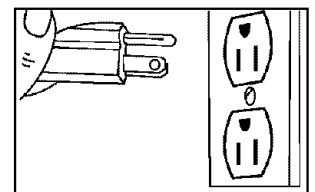
Se recomienda utilizar un circuito derivado independiente (o separado) para uso exclusivo de la secadora. **NO UTILICE UN CORDÓN DE EXTENSIÓN.**

MODELOS DE GAS – EE.UU. y Canadá

Se requiere un suministro eléctrico de 120 voltios, 60 Hz CA, aprobado con un fusible de 15 amperios o un cortacircuitos.



ADVERTENCIA – Una conexión defectuosa del conductor de conexión a tierra del equipo puede resultar en riesgo de descarga eléctrica. Consulte con un electricista calificado o con personal de servicio si tiene dudas sobre la conexión a tierra de la lavadora.



MODELOS ELÉCTRICOS – EE.UU. solamente

La mayoría de las secadoras para los EE.UU., al fabricarse, requieren electricidad de corriente alterna de 120/240 voltios a 60 Hz. Algunas requieren 120/208 voltios a 60 Hz. Los requisitos de electricidad se encuentran en la etiqueta de datos ubicada al frente, detrás de la puerta. Se requiere un fusible o cortacircuitos de 30 amperios en ambos lados de la línea.

La secadora de EE.UU. de 120/240 voltios debe convertirse si se va a usar en un sistema eléctrico de 120/208 voltios. Se encuentra disponible un juego de conversión del elemento calentador de la secadora (vea la sección Accesorios).

Si se utiliza un cordón eléctrico, es preciso que enchufe el cordón en un receptáculo de 30 amperios.

El cordón eléctrico **NO** se incluye en los modelos eléctricos de los EE.UU.

IMPORTANTE: Cuando los códigos locales lo permitan, el suministro eléctrico de la secadora debe conectarse mediante un juego de cordón de suministro eléctrico nuevo, marcado para usarse con secadoras de ropa, y que esté clasificado por U.L, con una clasificación nominal de cuando menos 120/240 voltios, 30 amperios, con 3 conductores de cobre No. 10 que estén acabados con terminales de bucles cerrados, con terminales de horquilla y extremo abierto, con las puntas volteadas hacia arriba o de plomo estañado.

No vuelva a utilizar un cordón de suministro eléctrico de una secadora vieja. El cableado del suministro eléctrico del cordón debe sujetarse al gabinete de la secadora con un protector contra tirones adecuado y listado por U.L.

Si la secadora se va a instalar en un área en donde los códigos locales no permitan la conexión a tierra mediante un conductor neutro, solamente debe utilizarse un cordón eléctrico de cuatro conductores, clasificado y acabado como se describe anteriormente.

MODELOS ELÉCTRICOS – Canadá solamente

Se requiere electricidad de corriente alterna de 120/240 voltios a 60 Hz protegida por un fusible o un cortacircuitos a 30 amperios en ambos lados de la línea.

Todos los modelos canadienses se envían con el cordón eléctrico unido. Es preciso que enchufe el cordón en un receptáculo de 30 amperios.

NOTA: No se permite convertir una secadora a 208 voltios en Canadá.

PIEZAS DE REPUESTO Y ACCESORIOS

Si la secadora requiere de piezas de repuesto o de accesorios, comuníquese con su concesionario local de Maytag por medio del cual adquirió su aparato, o con Maytag Customer Service, Box 2370, Cleveland, Tennessee 37320-2370, EE.UU., teléfono 423-472-3333, para obtener información sobre el distribuidor de piezas de Maytag autorizado más cercano.

INSTALACIÓN

Las piezas y los materiales impresos están empacados dentro del cilindro de la secadora.

Para instalarla...

1. Coloque la secadora en un lugar apropiado para instalarla. Considere instalar la secadora antes que la lavadora cuando se instalen una al lado de la otra, para permitir el acceso a las conexiones de gas, electricidad y del escape.

Coloque dos de los refuerzos de cartón de las esquinas sobre el piso. Incline la lavadora con el frente hacia adelante de manera que descansa transversalmente sobre ambos refuerzos de esquinas.

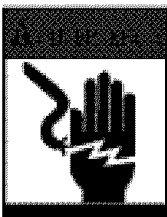
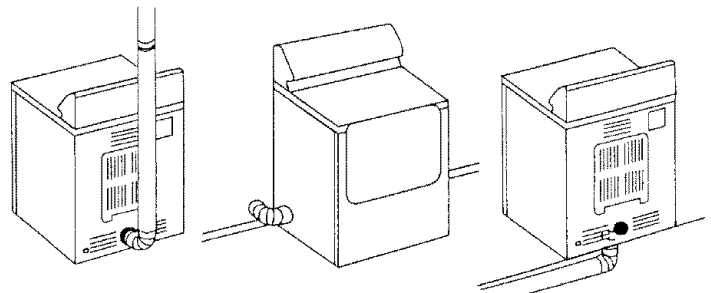
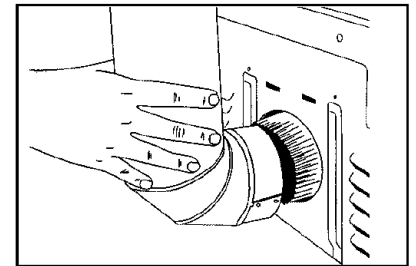
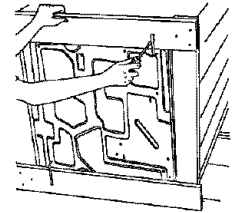
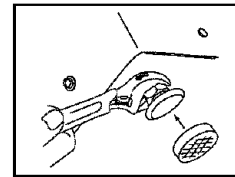
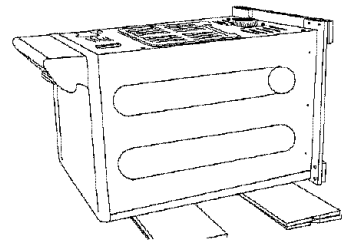
2. Retire los alambres de la caja de embalaje que sujetan la base de ésta a la base del marco. Esto puede hacerse con un desarmador.

3. Afloje las tuercas de fijación de las patas de nivelación y instale los forros de vinilo.

4. Coloque la secadora en posición vertical.

5. Revise la sección sobre el escape al reverso antes de instalar el sistema de escape. Instale los ductos de la secadora al capuchón de escape. El extremo aboquillado de las secciones de ducto deben apuntar en la dirección opuesta a la secadora. **NO** use tornillos autorroscantes al armar los ductos. Estas uniones deben sujetarse con cinta. **Nunca use material flexible de plástico para el escape.**

Consejos para instalaciones en lugares estrechos: instale una sección del sistema de escape a la secadora antes de poner la secadora en su lugar. Use cinta para ductos para afianzar esta sección a la secadora pero no cubra las persianas en el gabinete de la secadora.



- Una conexión defectuosa del conductor de conexión a tierra del equipo puede resultar en un riesgo de descarga eléctrica. Consulte con un electricista calificado o con personal de servicio si tiene dudas sobre la conexión a tierra del electrodoméstico. No modifique el enchufe suministrado con el electrodoméstico, si no encaja en el tomacorriente, haga que un electricista calificado instale el receptáculo apropiado.
- Para evitar un riesgo innecesario de incendio, descarga eléctrica o lesión personal, todo el cableado y todas las conexiones a tierra deben hacerse de acuerdo con la última versión del código eléctrico nacional ANSI/NFPA 70 (para EE.UU.) o la última versión del código eléctrico canadiense CSA C22.1 y los códigos locales. El propietario del electrodoméstico tiene la responsabilidad personal y obligación de suministrar un servicio eléctrico adecuado a este electrodoméstico.
- Todas las instalaciones de gas deben realizarse en conformidad con el Código Nacional de Gas ANSI/Z2231 de la última revisión (en EE.UU.), o con los Códigos de Instalación CAN/CGA-B149 de la última revisión (en Canadá) y con los códigos y las disposiciones locales.

6. SECCIÓN PARA SECADORAS DE GAS

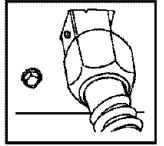
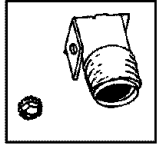
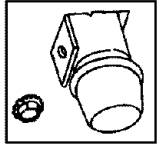
Revise los requisitos de gas al reverso de estas instrucciones.

Quite la tapa protectora de la rosca del tubo.

Aplique compuesto para juntas o aproximadamente 1 1/2 vueltas de cinta de teflón en todas las conexiones roscadas. **NOTA:** El compuesto para juntas debe ser resistente a la acción de gases de petróleo licuados.

Conecte el suministro de gas a la secadora. Se requiere un acoplador adicional para conectar el extremo de la rosca hembra de 3/4 pulgada (1,9 cm) de un conector flexible con el extremo de la rosca macho de 3/8 pulgada (1,0 cm) de la secadora. Apriete firmemente el acoplador de la línea de gas sobre las roscas.

Abra la válvula de servicio de gas y revise todas las conexiones del suministro de gas desde la válvula de servicio hasta la válvula de cierre para verificar que no haya fugas, utilizando una solución jabonosa. **NO utilice una llama abierta para revisar las fugas de gas.**



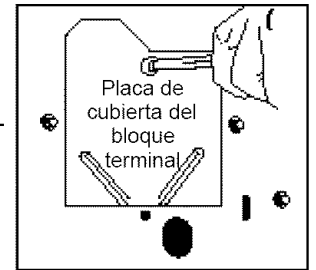
6. SECCIÓN PARA SECADORAS ELÉCTRICAS

Revise los requisitos de eléctricas al reverso de estas instrucciones.

ANTES DE OPERAR O PROBAR, siga todas las instrucciones de puesta a tierra en el reverso de estas instrucciones.

MODELOS DE EE.UU.:

IMPORTANTE – Todos los modelos estadounidenses están diseñados para utilizar una CONEXIÓN DE SISTEMA DE TRES CONDUCTORES. El marco de la secadora está conectado a tierra al conductor neutro en el bloque terminal. Se requiere una CONEXIÓN DE SISTEMA DE CUATRO CONDUCTORES en las casas nuevas o remodeladas, casas móviles o si los códigos locales no permiten la conexión a tierra a través de un conductor neutro. Si se utiliza el sistema de cuatro conductores, el marco de la secadora no se puede conectar a tierra al conductor neutro en el bloque terminal. Consulte las siguientes instrucciones o CONEXIONES DE SISTEMAS DE TRES Y CUATRO CONDUCTORES.



Retire la placa de cubierta del bloque terminal.

Inserte el cordón eléctrico con un protector contra tirones clasificado por U.L. a través del orificio que se encuentra en el gabinete cerca del bloque terminal. **NOTA: Se debe utilizar un protector contra tirones.**

No afloje las tuercas que ya vienen instaladas en el bloque terminal. Cerciórese de que estén bien apretadas. Utilice un desarmador de tuercas de 3/8 de pulgada (1,0 cm) de profundidad.

CONEXIONES DE SISTEMA DE TRES CONDUCTORES

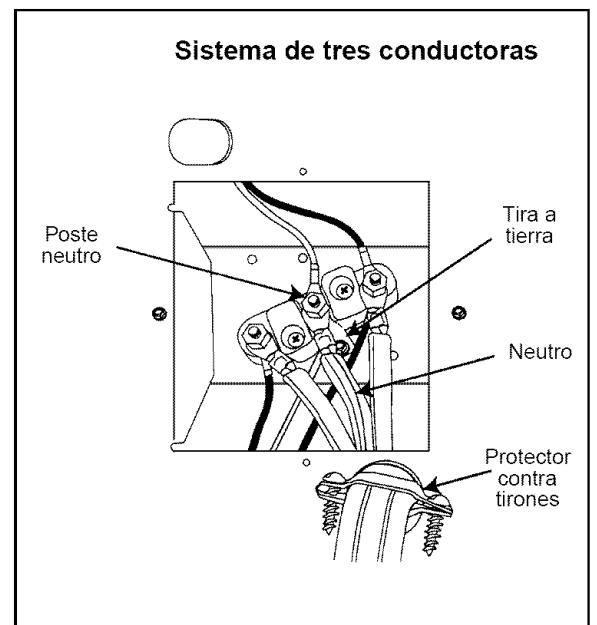
Si el cordón eléctrico tiene terminales, coloque los terminales sobre las tuercas ya existentes en los postes. El conductor neutro (el blanco o el conductor central del cordón eléctrico) siempre tiene que estar conectado al poste central (color plateado) del bloque terminal.

Fijelo en su lugar utilizando las tuercas incluidas en el paquete de piezas. Si el cordón eléctrico no tiene terminales, utilice arandelas acopadas adelante de las tuercas.

Cerciórese de que las tuercas del bloque terminal estén bien apretadas. Fije el cordón eléctrico en su posición. Apriete los tornillos del protector contra tirones a fin de fijar el protector contra tirones al cordón.

Vuelva a colocar la cubierta del bloque terminal.

ADVERTENCIA: Si se va convertir el sistema eléctrico de cuatro conductores al sistema eléctrico de tres, es preciso que la tira a tierra vuelva a conectarse al soporte del bloque terminal para conectar a tierra el marco de la secadora al conductor neutro.



CONEXIONES DE SISTEMA DE CUATRO CONDUCTORES

Retire el tornillo de la tira a tierra del soporte del bloque terminal. Doble la tira a tierra de manera que ambos extremos de ésta queden unidos al poste del bloque terminal central.

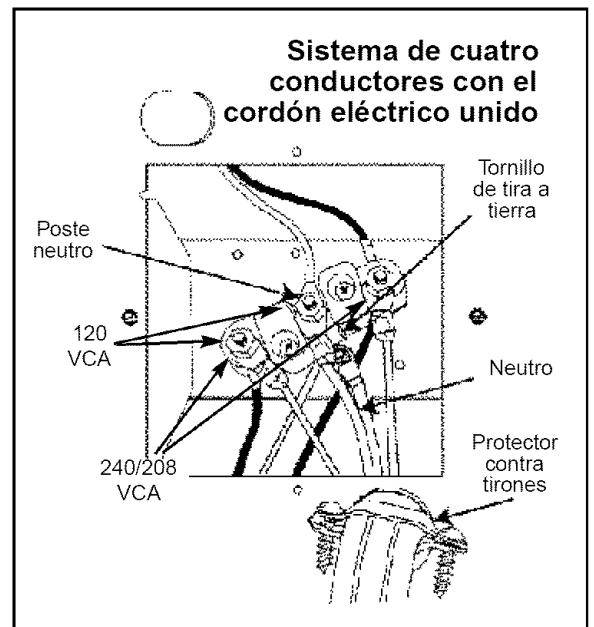
Conecte el conductor neutro (blanco) del cordón al poste (plateado) central del bloque terminal. Conecte el conductor a tierra (verde) del cordón al soporte del bloque terminal utilizando el tornillo de la tira a tierra.

Conecte los conductores rojo y negro del cordón a los postes exteriores del bloque terminal.

Cerciórese de que las tuercas del bloque terminal estén bien apretadas. Fije el cordón eléctrico en su posición. Apriete los tornillos del protector contra tirones a fin de fijar el protector contra tirones al cordón. Vuelva a colocar la cubierta del bloque terminal.

MODELOS DE EXPORTACIÓN

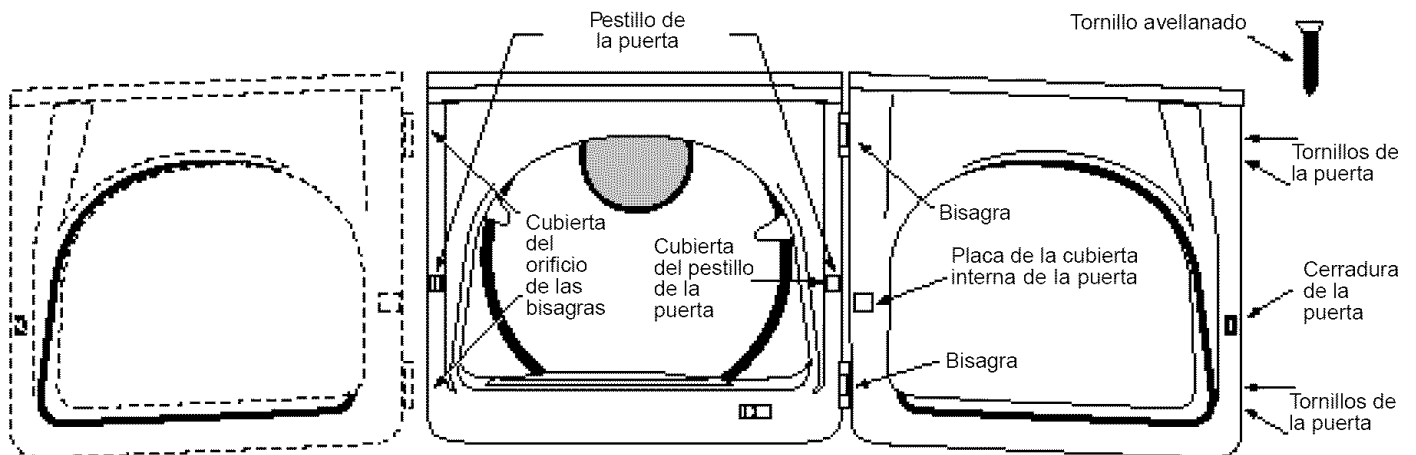
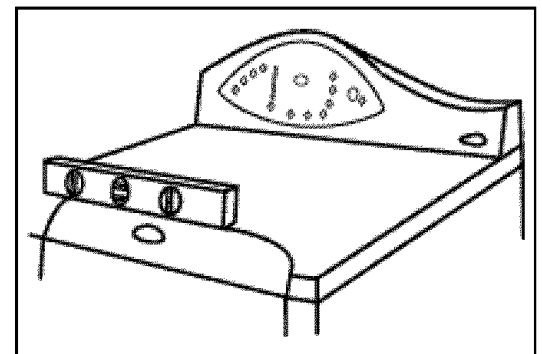
Refiérase a la sección Instrucciones Adicionales.



- 7.** Con un nivel, compruebe la nivelación de la secadora y haga los ajustes necesarios a las patas. Una vez nivelada la secadora, ajuste con una llave las tuercas de fijación de las patas de nivelación.

- 8.** Se puede invertir la dirección de la puerta de la secadora.

1. Si la secadora está enchufada a la electricidad, desenchúfela.
2. Quite las cubiertas de los orificios y los tornillos de las bisagras. Mueva la cubierta del pestillo de la puerta al lado opuesto.
3. Mientras apoya la puerta, quite de las bisagras los 2 tornillos que las afianzan al gabinete.
4. Quite la puerta levantándola ligeramente en las bisagras y tirando de las lengüetas de las bisagras para sacarlas de las ranuras de las bisagras.
5. Mueva las siguientes piezas al lado opuesto de la puerta: 2 bisagras y 4 tornillos de bisagra, 4 tornillos de puerta, cerradura de la puerta y su tornillo, placa de cubierta interna de la puerta y su tornillo.
6. Fije la puerta al lado opuesto del gabinete usando los 2 tornillos avellanados. (Vea a continuación.)
7. El atornillar primero el tornillo de la bisagra inferior ayudará a alinear la puerta y las bisagras.
8. Vuelva a colocar las cubiertas de los orificios de las bisagras y los tornillos en el lado opuesto.



9. En este punto, cerci6rese de que todas las conexiones de gas, escape y electricidad se hayan realizado completamente. Enchufe la secadora y revise que funcione usando la lista de verificaci6n que aparece a continuaci6n.
10. (MODELOS DE GAS SOLAMENTE)

Es posible que el quemador no se encienda inicialmente debido a la presencia de aire en la l6nea de gas. El dejar que la secadora funcione en un ajuste que emplea calor har6 que la l6nea se purgue. Si el gas no se enciende en un lapso de cinco minutos, apague la secadora y espere 5 minutos. Cerci6rese de que el suministro de gas a la secadora se haya abierto. Para confirmar que el gas se ha encendido, revise el escape para ver si hay calor.

LISTA DE VERIFICACI6N FINAL DE INSTALACI6N

- La secadora est6 debidamente enchufada en un tomacorriente el6ctrico conectado a tierra.
- La tuber6a del escape est6 conectada y las uniones pegadas con cinta adhesiva.
- NO se utiliz6 tuber6a flexible de pl6stico.
- Se utiliz6 material de ventilaci6n con pared de metal flexible, r6gido o duro.
- La secadora est6 nivelada con todas las patas firmes sobre el piso, con las tuercas bien apretadas.
- Se instalaron las patas de vinilo.
- Modelos de gas – la llave del gas est6 abierta, no hay fugas de gas.
- La secadora funciona, calienta y se apaga.
- Demuestre el uso al consumidor.

ACCESORIOS DOM6STICOS DE INSTALACI6N

- Capuch6n de ventilaci6n – abertura de 4 pulgadas (10,16 cm) – 059129
- Tubo de aluminio – 4 pulgadas x 24 pulgadas (10,16 cm x 60,96 cm) – 059130
- Codo de aluminio – 4 pulgadas (10,16 cm) – 059131
- Placa de aluminio de la ventana – 15 pulgadas x 20 pulgadas (38,10 cm x 50,80 cm) – orificio de 4 pulgadas (10,16 cm) – 059134
- Ducto de aluminio flexible – orificio de 4 pulgadas (10,16 cm) – 38 pulgadas (81,28 cm) longitud se estira a 8 pies (2,44 cm) – 304353
- Abrazadera para tuber6a de aluminio flexible – 304630
- Juego del tubo de escape para la base o escape del lado izquierdo – 12001453
- Juegos rectangulares de ventilaci6n – 059144
- Bolsa de dacr6n para pelusas – 311353
- Juego de conversi6n de gas LP a gas NATURAL – 306195
- Juego de conversi6n de gas NATURAL a gas LP – 306204
- Juego de sujetador de anclaje – 303740
- Juego de conversi6n del elemento calentador, 208 voltios – 308590 (No para Canad6)
- Conductor de tierra – 311155
- Abrazadera a tierra – 301548
- Cordones el6ctricos – 240 voltios, 30 amperios
 - 4 pies (121,9 cm) – Conductor de 3 – 33001780
 - 5 pies (152,4 cm) – Conductor de 3 – 33001822
 - 6 pies (182,9 cm) – Conductor de 3 – 33001823
 - 10 pies (304,8 cm) – Conductor de 3 – 33001838
 - 4 pies (121,9 cm) – Conductor de 4 – 33001781
 - 5 pies (152,4 cm) – Conductor de 4 – 33001824
 - 6 pies (182,9 cm) – Conductor de 4 – 33001825
 - 10 pies (304,8 cm) – Conductor de 4 – 33001838

Para las personas con impedimentos visuales, se pueden colocar r6tulos en Braille en el panel de control del aparato. Consulte con su representante local de la asociaci6n para ciegos para obtener informaci6n sobre fabricantes de r6tulos en Braille.

INSTRUCCIONES ADICIONALES PARA LOS MODELOS DE EXPORTACIÓN

(no en EE.UU. ni Canadá)

Comuníquese con el distribuidor que le vendió el aparato o con Maytag International, 8700 W. Bryn Mawr Avenue, Chicago, Illinois EE.UU. 60631, 773-714-0100, para obtener información sobre el producto, daños durante el envío, piezas de repuesto y accesorios.

Los modelos de Maytag fabricados para funcionar en un servicio eléctrico de 60 Hz CA no están diseñados para usarse en un servicio eléctrico de 50 Hz CA. No se recomienda la conversión del producto de 50 a 60 Hz. Para obtener más información sobre productos de 50 Hz, comuníquese con Maytag International.

Los requisitos de servicio eléctrico se encuentran ubicados en la etiqueta de datos que encontrará en la parte delantera de la secadora detrás de la puerta.

MODELOS ELÉCTRICOS DE EXPORTACIÓN

Los modelos eléctricos de exportación están fabricados para funcionar ya sea en un servicio eléctrico aprobado de 230/240 voltios, 50 Hz o de 220 voltios, 60 Hz. Se requiere un servicio eléctrico aprobado de dos cables con un fusible de 30 amperios o un cortacircuitos. Es preciso que la secadora se conecte a tierra adecuadamente con un conductor de tierra.

IMPORTANTE: Cuando los códigos locales lo permitan, el suministro eléctrico de la secadora puede conectarse mediante un juego de cordón de suministro eléctrico nuevo, marcado para usarse con secadoras de ropa, y que esté clasificado por la agencia, con una clasificación nominal de cuando menos 240 voltios, 30 amperios, con 2 conductores de cobre No. 10 que estén acabados con terminales de bucles cerrados, con terminales de horquilla y extremo abierto, con las puntas volteadas hacia arriba o de plomo estañado.

No vuelva a utilizar el cordón de suministro eléctrico de una secadora vieja. El cableado del suministro eléctrico o el cordón eléctrico debe sujetarse al gabinete de la secadora con un protector contra tirones adecuado y listado por una agencia.

CONEXIONES DE SISTEMA A TIERRA Y DE DOS CONDUCTORES

Retire la placa de cubierta del bloque terminal.

Inserte el cordón eléctrico con un protector contra tirones clasificado por una agencia, a través del orificio que se encuentra en el gabinete cerca del bloque terminal. **Nota: Se debe utilizar un protector contra tirones.**

No afloje las tuercas que ya vienen instaladas en el bloque terminal. Cerciórese de que estén bien apretadas. Utilice un desarmador de tuercas de 3/8 de pulgada (1,0 cm) de profundidad.

Fije el conductor de tierra del cordón eléctrico al soporte del bloque terminal utilizando el tornillo a tierra.

Si el cordón eléctrico tiene terminales, coloque los terminales sobre las tuercas ya existentes en los postes. El conductor neutro del cordón eléctrico siempre tiene que estar conectado al poste central (color plateado) del bloque terminal.

Fíjelo en su lugar utilizando las tuercas incluidas en el paquete de piezas. Si el cordón eléctrico no tiene terminales, utilice arandelas acopadas antes de las tuercas.

Cerciórese de que las tuercas del bloque terminal estén bien apretadas. Fije el cordón eléctrico en su posición. Apriete los tornillos del protector contra tirones a fin de fijar el protector contra tirones al cordón.

Vuelva a colocar la cubierta del bloque terminal.

ANTES DE OPERARLA O PROBARLA, asegúrese de que la unidad esté conectada a tierra correctamente.

MODELOS DE GAS DE EXPORTACIÓN

Los modelos de gas de exportación están fabricados para funcionar ya sea en un servicio eléctrico aprobado de 230/240 voltios, 50 Hz o 220 voltios, 60 Hz CA, con un fusible de 15 amperios o un cortacircuitos.

Los modelos de gas de exportación están fabricados para usarse con gas natural que tenga un valor de calentamiento mayor a aproximadamente 1025 BTU por pie cuadrado. Se debe realizar la conversión a gas LP con un valor de calentamiento mayor a aproximadamente 2500 BTU por pie cuadrado, la conversión debe realizarla un técnico competente de servicio. Se encuentra disponible un juego de conversión.

