

INSTALLATION INSTRUCTIONS

Radiant Cooktop Models JEC9530 & JEC9536

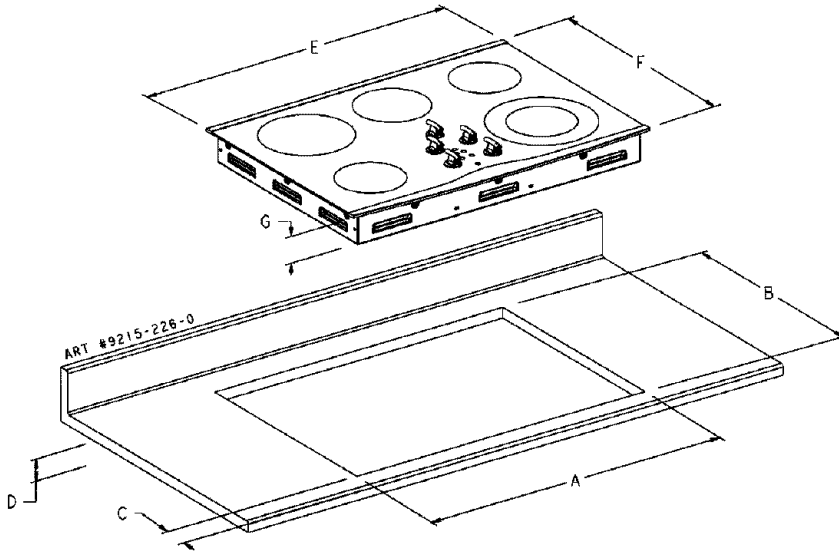


403 WEST FOURTH STREET, NORTH • NEWTON, IA 50208

IMPORTANT - SAVE FOR THE LOCAL ELECTRICAL INSPECTOR'S USE

IMPORTANT: Installation should be performed only by an authorized Jenn-Air Service Contractor or other qualified installer. Read safety precautions in the Use & Care Manual before using this appliance.

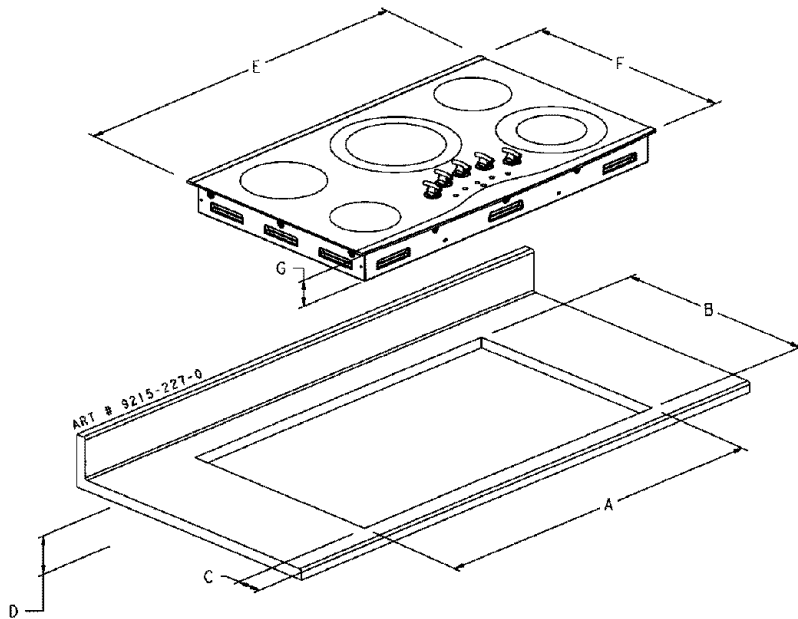
(Dimensions shown in both inches and centimeters)



JEC9530 FOUR-ELEMENT RADIANT COOKTOPS

DIMENSIONS		
	inches	cm
A	29-1/16 ± 1/16	74.0 ± 0.2
B	20-3/8 ± 1/16	51.9 ± 0.2
C	2-1/8	5.4
D	4-1/4 min. clear	10.8
E	29-15/16	76.0
F	21-1/2	54.6
G	3-5/8	7.6

NOTE: "D" is clearance needed for unit depth measure down from top of countertop. Typical for all units.



JEC9536 FIVE-ELEMENT RADIANT COOKTOPS

DIMENSIONS		
	inches	cm
A	34-9/16 ± 1/16	87.9 ± 0.2
B	20-3/8 ± 1/16	51.9 ± 0.2
C	2-1/8	5.4
D	4-1/4 min. clear	10.8
E	35-5/16	89.7
F	21-1/2	54.6
G	3-5/8	7.6

IMPORTANT

CUTOUT
DIMENSIONS ARE
CRITICAL

UNITS PROVIDED WITH 1/2" (1.3 cm) I.D. FLEXIBLE CABLE 48" (121.9 cm) LONG WITH 6" (15.2 cm) WIRE LEADS AT END, FURNISHED AND INSTALLED BY MANUFACTURER (CONNECT TO 240/120 VOLT ELECTRICAL SERVICE).

INSTRUCTIONS TO INSTALLER:

- **Side and Back Wall Clearance:** Unit may be safely installed as near as 2 1/2 inches (6.35 centimeters) from side walls and 3/4 inch (1.91 centimeters) from back wall.

Notice To Installer: Leave these instructions with the appliance.

Notice To Consumer: Retain these instructions for future reference.

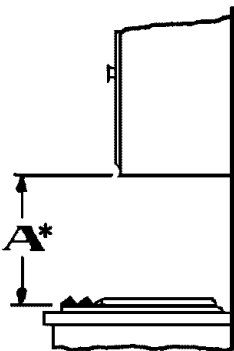
8101P495-60
(01-03-00)

Installing Cabinetry Over Your Cooktop

A = 30" (76.2 cm) minimum clearance between the top of the cooktop and the bottom of an unprotected wood or metal cabinet.

A = 24" (60.96 cm) minimum when bottom of wood or metal cabinet is protected by not less than 1/4" (0.635 cm). FLAME RETARDANT millboard covered with not less than no. 28 MSG sheet steel, 0.015" (0.038 cm) stainless steel, 0.024" (0.061 cm) aluminum or copper.

- * To eliminate the risk of burns or fire by reaching over heated surface units, cabinet storage space located above the surface units should be avoided. If cabinet storage is to be provided, the risk can be reduced by installing a range hood that projects horizontally a minimum of 5 inches beyond the bottom of the cabinets.



Important Installation Suggestions

1. Chamfer all exposed edges of decorative laminate to prevent damage from chipping.
2. Radius corners of cutout and file to insure smooth edges and prevent corner cracking.
3. Rough edges, inside corners which have not been rounded and forced fits can contribute to cracking of the countertop laminate.
4. Countertop must be supported within 3" (7.62 cm) of cutout.

CAUTION

Warranty is void on equipment installed other than as recommended by manufacturer.

Electrical Wiring Information

The neutral of this unit is grounded to the frame through the solid copper grounding wire. If used on new branch-circuit installations (1996 NEC), mobile homes, recreational vehicles, or in an area where local codes prohibit grounding through the neutral conductor, untwist or disconnect the solid copper wire and connect the ground wire to ground in accordance with local code. Connect the white neutral to the service neutral. Connect all wires to the branch circuit with approved connectors. Use copper or aluminum wire. If aluminum wire is used, use connectors recognized for joining aluminum to copper.

Proper Electrical Supply

You must provide an adequate electrical supply system as required for your cooktop. All wire connections must be in accordance with local codes and properly insulated.

Check with local utility for governing electrical codes and ordinances. In the absence of local electrical codes, the National Electrical Code, NFPA No. 70, governing electric range installations must be followed. A copy of the National Electrical Code, NFPA No. 70, can be obtained by writing to:

National Fire Protection Association

Batterymarch Park

Quincy, Massachusetts 02269

A three-wire, single phase, A.C. 120/240 volt 60 cycle electrical system (properly circuit protected to meet Local Codes of NFPA No. 70) must be provided. Unit must be properly grounded in accordance with local wiring code. The chart below recommends the minimum circuit protector and wire size if the appliance is the only unit on the circuit. If smaller sizes of wire are used, the unit efficiency will be reduced and a fire hazard may be created. It is advisable that the electrical wiring and hookup be accomplished by a competent electrician.

RECOMMENDED MINIMUM		
K.W. RATING ON SERIAL PLATE	CIRCUIT PROTECTION IN AMPRES	WIRE SIZE (AWG)
0 - 4.8	20	12
4.9 - 6.9	30	10
7.0 - 9.9	40	8
10.0 - 11.9	50	8
12.0 - 14.9	60	6

Notice To Installer

Follow accompanying instruction carefully.

CAUTION

Never use a metal blade to pry knob off. If knob cannot be easily removed, tuck folds of a dishtowel under knob skirt and pull upward with steady, even pressure.

Preparation Of Countertop

The cutout in the countertop into which the appliance is to be installed should be prepared according to the cutout dimensions given on page 1 of these instructions.

CAUTION

Cutout dimensions are critical. Dimensions must be measured and cut accurately to within $\pm 1/16"$ (.16 cm) to insure proper fit.

Installation Of Appliance

1. Remove the cooktop from the carton.
2. Provide cutout in countertop as required per page 1.
3. Place unit in the cutout.
4. Make electrical wire connection to unit. Consult local codes for proper power hook-up.
5. Test to insure control knobs operate all elements properly.