

*Frigidaire*

Factory Parts Catalog

Product No.	FAA051N7A2	FAA051N7A3
Series	MS II	MS II
Volts	115	115
BTU-Cooling	5000	5000
Owner's Guide	2202019575	2202019575
Market	North America	North America

 **Electrolux**

ELECTROLUX HOME PRODUCTS, INC.  
P.O. Box 212378, Augusta, GA 30917

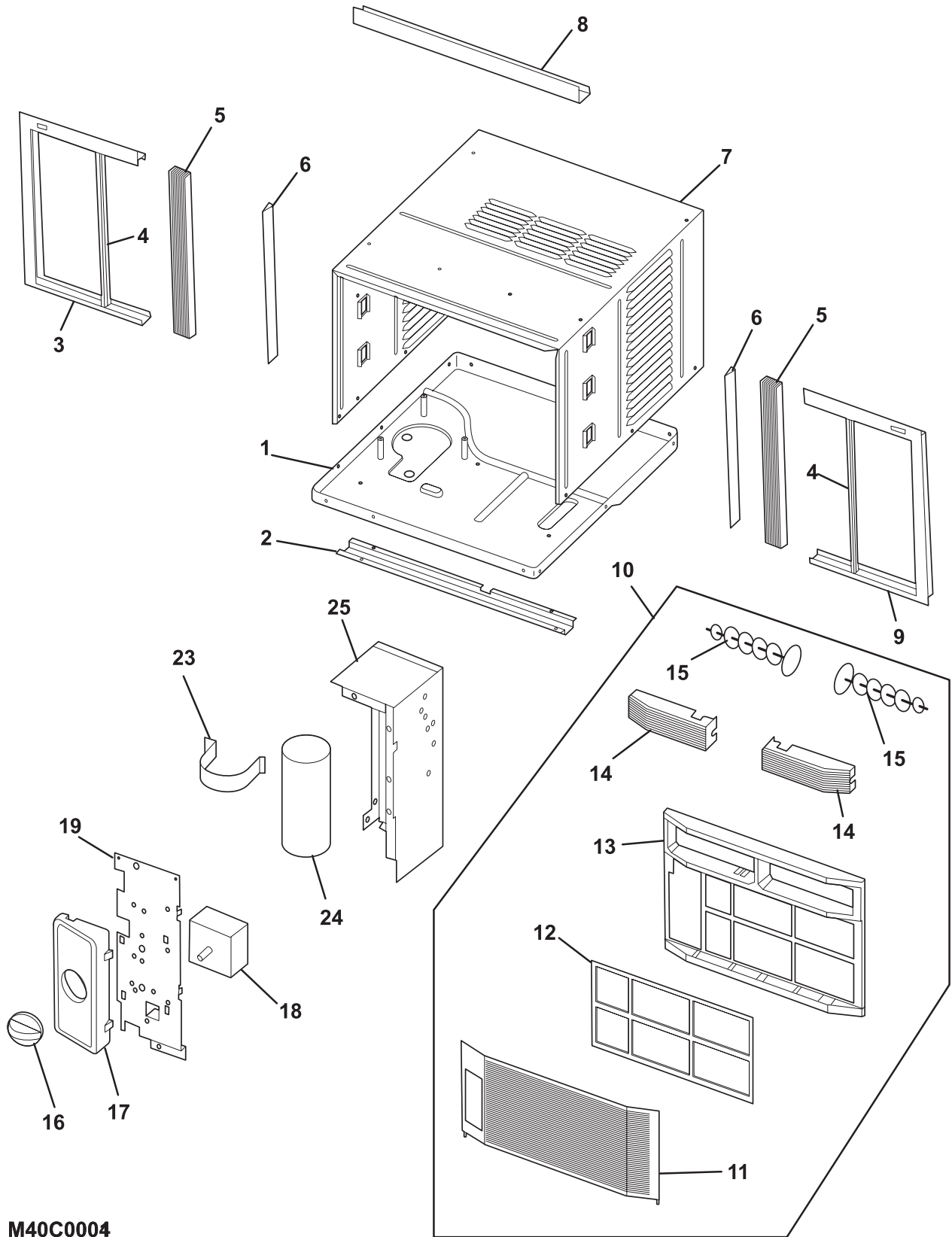
Publication No.  
**5995416400**  
04/09/15  
(EN/SERVICE/KC)  
099

**ROOM AIR  
CONDITIONER**

Model No.  
**FAA051N7A**

Copyright © 2004 Electrolux Home Products, Inc.  
All rights reserved.

**CABINET, FRONT, CONTROLS**



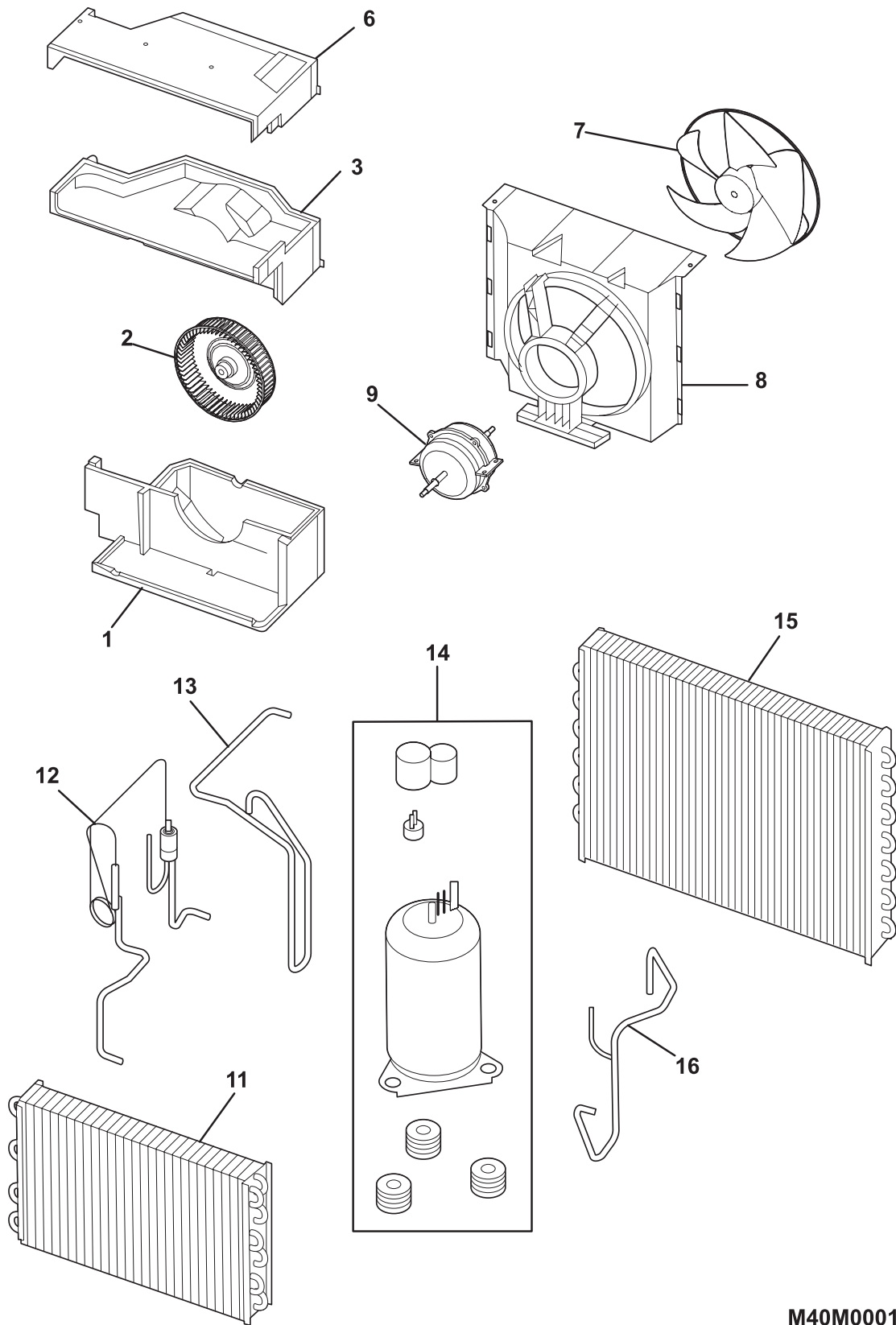
**M40C0004**

**CABINET, FRONT, CONTROLS**

*Model Index:* A FAA051N7A (FAA051N7A2)  
 B FAA051N7A (FAA051N7A3)

POS. NO	PART NO.		DESCRIPTION
1	5304437073	A B	Base, unit chassis
2	5304437068	A B	Rail, shutter track, bottom
3	5304437055	A B	Frame, shutter panel, LH
4	5304437052	A B	Retainer, shutter lock
5	5304437053	A B	Shutter, accordion panel
6	5304437057	A B	Retainer, shutter mount, cabinet sides
7	5304437071	A B	Cabinet, wrapper/sleeve
8	5304437069	A B	Rail, shutter track, top
9	5304437054	A B	Frame, shutter panel, RH
10	5304437065	A B	Front Assembly, complete panel, includes
11	5304437059	A B	Panel, front grille, tilt-out
12	5304437062	A B	Filter, air, plastic frame
13	5304437058	A B	Frame, front assembly
14	5304437061	A B	Louver, horizontal
15	5304437060	A B	Louver, vertical
16	5304437050	A B	Knob, rotary control
17	5304437051	A B	Enclosure, control, switch box
17	5304438506	A B	Control Panel, dial plate
18 #	5304438503	A B	Switch, selector, main
19	5304437066	A B	Panel, ctrl mtg board
23	5304436530	A B	Strap, capacitor mtg.
24 #	5304437110	A B	Capacitor
25	5304437070	A B	Control Box

**COOLING & AIR FLOW SYSTEMS**



**M40M0001**

**COOLING & AIR FLOW SYSTEMS**

---

*Model Index:* A FAA051N7A (FAA051N7A2)  
 B FAA051N7A (FAA051N7A3)

POS. NO	PART NO.		DESCRIPTION
1	5304437105	A B	Scroll, blower housing, bottom, w/drain tray
2 #	5304437891	A B	Blower Wheel, centrifugal fan
3	5304437104	A B	Scroll, blower housing, top
6	5304437103	A B	Cover, blower scroll, top
7 #	5304437049	A B	Fan Blade, propeller, axial flow
8 #	5304437056	A B	Shroud, fan housing
9 #	5304442360	A -	Motor, fan
9 #	5304442361	- B	Motor, fan
11 #	5304437086	A B	Evaporator
12 #	5304437093	A B	Capillary Tube, assy w/strainer
13 #	5304437096	A B	Discharge Tube
14 #	5304437076	A B	Compressor Assy
15 #	5304437085	A B	Condenser
16 #	5304437098	A B	Suction Tube

### WIRING DIAGRAM

