

INSTALLATION INSTRUCTIONS 30" (76.0 CM) FREESTANDING ELECTRIC RANGES

INSTRUCTIONS D'INSTALLATION DES CUISINIÈRES ÉLECTRIQUES AUTOPORTANTES DE 30" (76 CM)

Table of Contents/Table des matières

RANGE SAFETY	SÉCURITÉ DE LA CUISINIÈRE
2	9
INSTALLATION REQUIREMENTS	EXIGENCES D'INSTALLATION
3	10
Tools and Parts	Outillage et pièces
3	10
Location Requirements	Exigences d'emplacement
3	10
Electrical Requirements	Spécifications électriques
4	11
INSTALLATION INSTRUCTIONS	INSTRUCTIONS D'INSTALLATION
5	12
Unpack Range	Déballage de la cuisinière
5	12
Install Anti-Tip Bracket	Installation de la bride antibasculement
5	12
Verify Anti-Tip Bracket Location	Vérification de l'emplacement de la bride
6	antibasculement
Level Range	13
6	Mise à niveau de la cuisinière
Storage Drawer	13
7	Tiroir de Remisage
Complete Installation	14
8	Achever l'installation
Moving the Range	15
8	Déplacement de la cuisinière
ANTI-TIP BRACKET TEMPLATE	GABARIT POUR LA BRIDE ANTIBASCULEMENT
16	16

IMPORTANT:

Save for local electrical inspector's use.

IMPORTANT :

À conserver pour consultation par l'inspecteur local des installations électriques.

RANGE SAFETY

Your safety and the safety of others are very important.

We have provided many important safety messages in this manual and on your appliance. Always read and obey all safety messages.



This is the safety alert symbol.

This symbol alerts you to potential hazards that can kill or hurt you and others.

All safety messages will follow the safety alert symbol and either the word "DANGER" or "WARNING."

These words mean:

⚠ DANGER

You can be killed or seriously injured if you don't immediately follow instructions.

⚠ WARNING

You can be killed or seriously injured if you don't follow instructions.

All safety messages will tell you what the potential hazard is, tell you how to reduce the chance of injury, and tell you what can happen if the instructions are not followed.



⚠ WARNING

Tip Over Hazard

A child or adult can tip the range and be killed.

Connect anti-tip bracket to rear range foot.

Reconnect the anti-tip bracket, if the range is moved.

Failure to follow these instructions can result in death or serious burns to children and adults.

INSTALLATION REQUIREMENTS

Tools and Parts

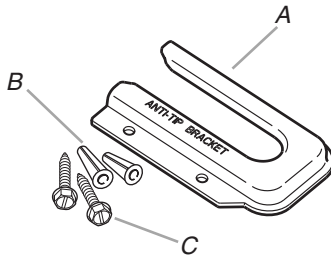
Gather the required tools and parts before starting installation. Read and follow the instructions provided with any tools listed here.

Tools needed

- Tape measure
- Flat-blade screwdriver
- Level
- Hammer
- Hand or electric drill
- Wrench or pliers
- Marker or pencil
- Masking tape
- ¼" drive ratchet
- ¼" nut driver
- ⅜" and ⅝" nut driver
- ⅛" (3.2 mm) drill bit (for wood floors)
- ⅜" (4.8 mm) carbide-tipped masonry drill bit (for concrete/ceramic floors)

Parts supplied

Check that all parts are included.



A. Anti-tip bracket
B. Plastic anchors (2)
C. #10 x 1 ½" screws (2)

- Anti-tip bracket must be securely mounted to subfloor. Thickness of flooring may require longer screws to anchor bracket to subfloor. Longer screws are available from your local hardware store.

Parts needed

Check local codes. Check existing electrical supply. See "Electrical Requirements" section.

It is recommended that all electrical connections be made by a licensed, qualified electrical installer.

Location Requirements

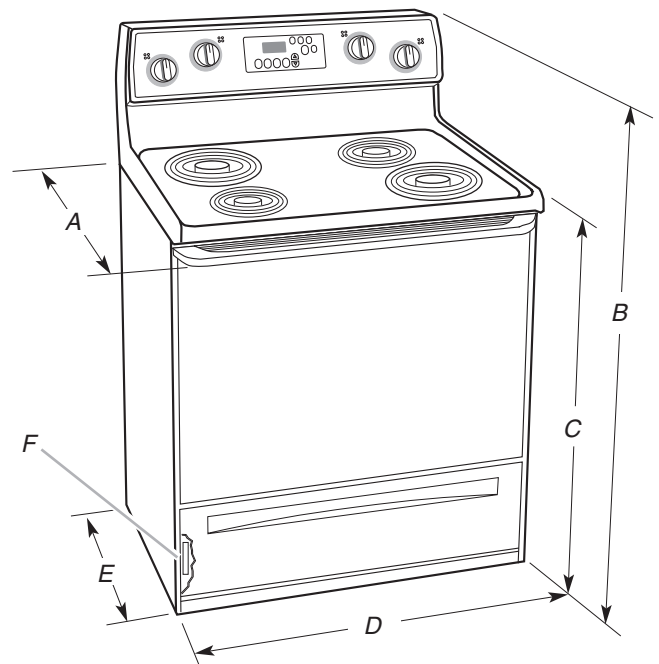
IMPORTANT: Observe all governing codes and ordinances.

- It is the installer's responsibility to comply with installation clearances specified on the model/serial rating plate. The model/serial rating plate located on the left side frame behind the storage drawer panel.
- The range should be located for convenient use in the kitchen.
- To eliminate the risk of burns or fire by reaching over heated surface units, cabinet storage space located above the surface units should be avoided. If cabinet storage is to be provided, the risk can be reduced by installing a range hood that projects horizontally a minimum of 5" (12.7 cm) beyond the bottom of the cabinets.

- Cabinet opening dimensions that are shown must be used. Given dimensions are minimum clearances.
- The floor anti-tip bracket must be installed. To install the anti-tip bracket shipped with the range, see "Install Anti-Tip Bracket" section.
- Grounded electrical supply is required. See "Electrical Requirements" section.

IMPORTANT: To avoid damage to your cabinets, check with your builder or cabinet supplier to make sure that the materials used will not discolor, delaminate or sustain other damage. This oven has been designed in accordance with the requirements of UL and CSA International and complies with the maximum allowable wood cabinet temperatures of 194°F (90°C).

Product Dimensions



- A. 27¹⁷/₃₂" (69.9 cm) depth with handle
- B. 46⁷/₈" (119.1 cm) overall height (max.) with leveling legs screwed all the way in*
- C. 36" (91.4 cm) cooktop height (max.) with leveling legs screwed all the way in*
- D. 29⁷/₈" (75.9 cm) width
- E. 25" (63.5 cm) depth
- F. Model/serial rating plate (located on the left side frame behind storage drawer panel)

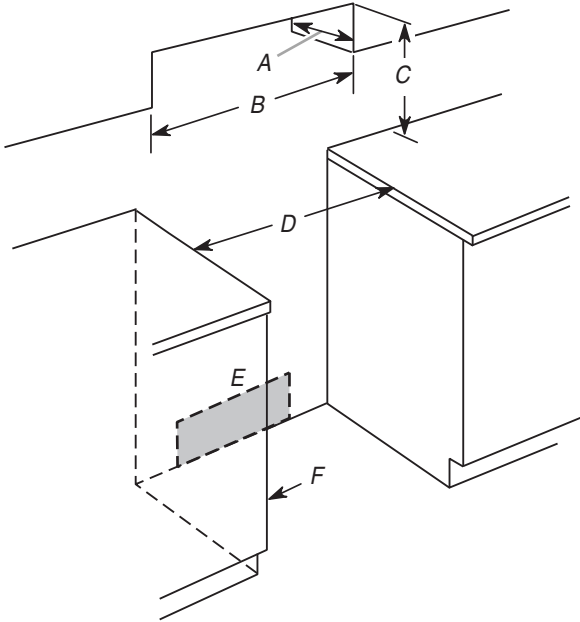
*Range can be raised approximately 1" (2.5 cm) by adjusting the leveling legs.

Cabinet Dimensions

Cabinet opening dimensions shown are for 25" (64.0 cm) countertop depth, 24" (61.0 cm) base cabinet depth and 36" (91.4 cm) countertop height.

IMPORTANT: If installing a range hood or microwave hood combination above the range, follow the range hood or microwave hood combination installation instructions for dimensional clearances above the cooktop surface.

A freestanding range may be installed next to combustible walls with zero clearance.



- A. 13" (33.0 cm) max. upper cabinet depth
- B. 30" (76.2 cm) min. opening width
- C. For minimum clearance to top of cooktop, see NOTE*
- D. 31" (78.7 cm) min. opening width
- E. Outlet - 8" (20.3 cm) to 22" (55.9 cm) from either cabinet, 7" (17.8 cm) max. from floor.
- F. $\frac{7}{8}$ " (2.2 cm) min. required between cutout and cabinet door or hinge.

***NOTE:** 24" (61.0 cm) minimum when bottom of wood or metal cabinet is covered by not less than $\frac{1}{4}$ " (0.64 cm) flame retardant millboard covered with not less than No. 28 MSG sheet steel, 0.015" (0.4 mm) stainless steel, 0.024" (0.6 mm) aluminum or 0.020" (0.5 mm) copper.

30" (76.2 cm) minimum clearance between the top of the cooking platform and the bottom of an uncovered wood or metal cabinet.

Electrical Requirements

⚠ WARNING



Electrical Shock Hazard

Electrically ground range.

Failure to do so can result in death, fire, or electrical shock.

If codes permit and a separate ground wire is used, it is recommended that a qualified electrical installer determine that the ground path is adequate and wire gauge are in accordance with local codes.

Be sure that the electrical connection and wire size are adequate and in conformance with CSA Standard C22.1, Canadian Electrical Code, Part 1 - latest edition, and all local codes and ordinances.

A copy of the above code standards can be obtained from:

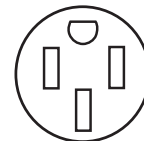
Canadian Standards Association
178 Rexdale Blvd.
Toronto, ON M9W 1R3 CANADA

- Check with a qualified electrical installer if you are not sure the range is properly grounded.

Range Rating*	Rating of Power Supply Cord		Circuit Protection
	120/240 Volts	120/208 Volts	Amps
8.8 - 16.5 KW	7.8 - 12.5 KW	40	40 or 50
16.6 - 22.5 KW	12.6 - 18.5 KW	50	50

*The NEC calculated load is less than the total connected load listed on the model/serial rating plate.

- A time-delay fuse or circuit breaker is recommended.
- This range is equipped with a CSA International Certified Power Cord intended to be plugged into a standard 14-50R wall receptacle. Be sure the wall receptacle is within reach of range's final location.



- Do not use an extension cord.

INSTALLATION INSTRUCTIONS

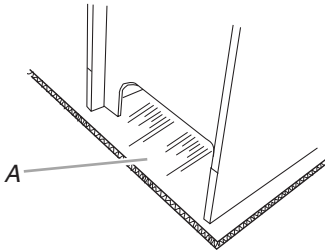
Unpack Range

⚠️ WARNING

Excessive Weight Hazard

Use two or more people to move and install range.
Failure to do so can result in back or other injury.

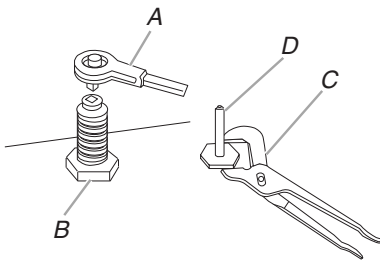
1. Remove shipping materials, tape and film from range.
2. Remove oven racks and parts package from inside oven.
3. Do not remove the shipping base at this time.



A. Shipping base

4. On Ranges Equipped with Storage Drawers:

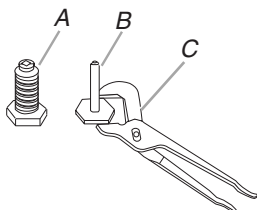
Remove the storage drawer. See the “Storage Drawer” section. Use a ¼” drive ratchet to lower the rear leveling legs one-half turn. Use a wrench or pliers to lower front leveling legs one-half turn.



A. ¼” drive ratchet
B. Rear leveling leg
C. Wrench or pliers
D. Front leveling leg

On Ranges Equipped with Warming Drawers:

On ranges equipped with a warming drawer, the rear legs cannot be accessed by removing the warming drawer. It will be necessary to adjust the rear legs from outside the range. Use wrench or pliers to lower the front and rear leveling legs one-half turn.



A. Rear leveling leg
B. Front leveling leg
C. Wrench or pliers

Install Anti-Tip Bracket

⚠️ WARNING



Tip Over Hazard

A child or adult can tip the range and be killed.

Connect anti-tip bracket to rear range foot.

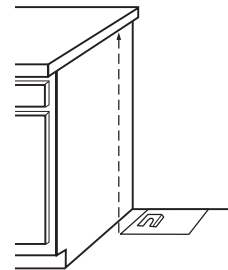
Reconnect the anti-tip bracket, if the range is moved.

Failure to follow these instructions can result in death or serious burns to children and adults.

Contact a qualified floor covering installer for the best procedure for drilling mounting holes through your type of floor covering.

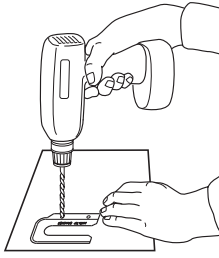
Before moving range, slide range onto shipping base, cardboard or hardboard.

1. Remove template from the anti-tip bracket kit (found inside the oven cavity) or from the back of this manual.
2. Place template on the floor in cabinet opening so that the left edge is against cabinet and top edge is against rear wall, molding or cabinet.
3. Tape template into place.
4. If countertop is not flush with cabinet opening edge, align template with overhang.



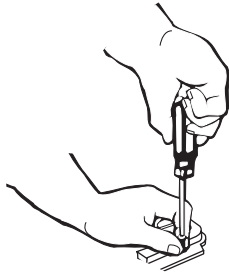
If cabinet opening is wider than that specified in the “Location Requirements” section, adjust template so range will be centered in cabinet opening.

- To mount anti-tip bracket to wood floor, drill two 1/8" (3.2 mm) holes at the positions marked on the bracket template. Remove template from floor.



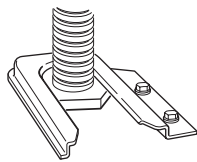
To mount anti-tip bracket to concrete or ceramic floor, use a 3/16" (4.8 mm) masonry drill bit to drill 2 holes at the positions marked on the bracket template. Remove template from floor. Tap plastic anchors into holes with a hammer.

- Align anti-tip bracket holes with holes in floor. Fasten anti-tip bracket with screws provided.



Depending on the thickness of your flooring, longer screws may be necessary to anchor the bracket to the subfloor. Longer screws are available from your local hardware store.

- Move range close enough to opening to allow for final electrical connection. Remove shipping base, cardboard or hardboard from under range.
- Move range into its final location making sure rear leveling leg slides into anti-tip bracket.

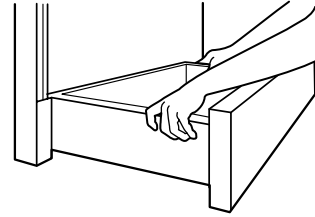


- If installing the range in a mobile home, you must secure the range to the floor. Any method of securing the range is adequate as long as it conforms to the standards in the "Location Requirements" section.
- Continue installing your range using the following installation instructions.

Verify Anti-Tip Bracket Location

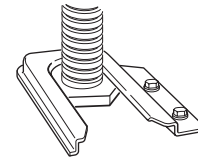
- On models with a storage drawer, remove storage drawer. See the "Storage Drawer" section.

On models with a warming drawer, the rear leg cannot be seen by removing the warming drawer. It will be necessary to view the rear foot from outside the range.



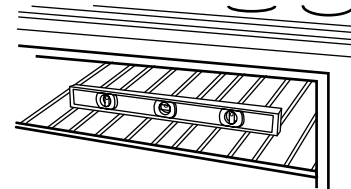
- To check that the anti-tip bracket is installed, use a flashlight and look underneath the bottom of the range.

- Look for the anti-tip bracket securely attached to floor.
- Slide range back so rear range foot is under anti-tip bracket.



Level Range

- Place rack in oven.
- Place level on rack and check levelness of range, first side to side; then front to back.



- If range is not level, pull range forward until rear leveling leg is removed from the anti-tip bracket.

On Ranges Equipped with Storage Drawers:

Use a 1/4" drive ratchet, wrench or pliers to adjust leveling legs up or down until the range is level. Push range back into position. Check that rear leveling leg is engaged in anti-tip bracket.

On Ranges Equipped with Warming Drawers:

Use a wrench or pliers to adjust leveling legs up or down until the range is level. Push range back into position. Check that rear leveling leg is engaged in anti-tip bracket.

NOTE: Range must be level for satisfactory baking performance.

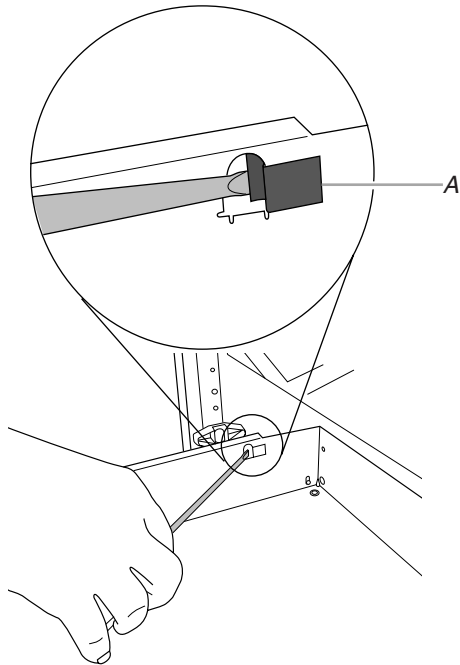
- Replace the storage drawer (on some models).

Storage Drawer

The storage drawer can be removed. Before removing, check that the storage drawer is cool and empty. A flat-blade screwdriver will be needed for removal.

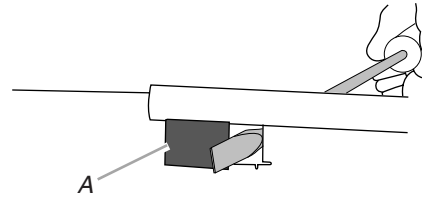
To Remove:

1. Pull the storage drawer forward to the drawer stop. Push the drawer back approximately 1" (2.5 cm).
It will be necessary to disengage the storage drawer one side at a time.
2. Insert a flat-blade screwdriver through the opening in the side of the storage drawer, placing the screwdriver tip on the outside of the drawer clip.



A. Drawer clip

3. Depress the drawer clip by pressing the screwdriver handle toward the side of the storage drawer.

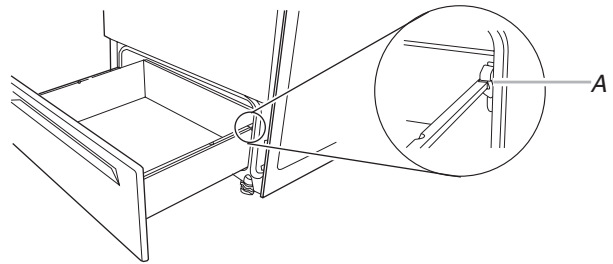


A. Drawer clip - view from outside of storage drawer

4. Gently pull forward on the storage drawer until the depressed clip clears the drawer glide.
5. Repeat steps 2-4 for the other side of the storage drawer.
6. Lift up the back of the storage drawer and remove.

To Replace:

1. Lift up the back of the storage drawer and place it inside the range in its fully forward position.
2. Lift up the front of the storage drawer to a level position.
3. Slowly push the storage drawer into the range until the drawer side rails engage with the gap in the drawer glides.



A. Engage drawer glide.

4. Once the storage drawer is fully engaged on both sides, slide the drawer back into the closed position.
5. **NOTE:** When you are removing and replacing the storage drawer, a slight push may be needed to move the drawer stop notch past the drawer glides.

Complete Installation

1. Check that all parts are now installed. If there is an extra part, go back through the steps to see which step was skipped.
2. Check that you have all of your tools.
3. Dispose of/recycle all packaging materials.
4. Check that the range is level. See the “Level Range” section.
5. Use a mild solution of liquid household cleaner and warm water to remove waxy residue caused by shipping material. Dry thoroughly with a soft cloth. For more information, read the “Range Care” section of the Use and Care Guide.
6. Read the “Range Use” section of the Use and Care Guide.

⚠ WARNING



Electrical Shock Hazard

Electrically ground range.

Failure to do so can result in death, fire, or electrical shock.

7. Plug power cord into appropriate outlet. Turn power on.
 8. Turn on surface burners and oven. See the Use and Care Guide for specific instruction on range operation.
- If range does not operate, check the following:**
- Household fuse is intact and tight; or circuit breaker has not tripped.
 - Range is plugged into an outlet.
 - Electrical supply is connected.
 - See “Troubleshooting” in the Use and Care Guide.

When the range has been on for 5 minutes, check for heat. If range is cold, turn off the range and contact a qualified technician.

Moving the Range

⚠ WARNING



Tip Over Hazard

A child or adult can tip the range and be killed.

Connect anti-tip bracket to rear range foot.

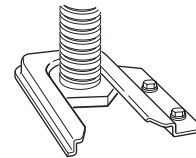
Reconnect the anti-tip bracket, if the range is moved.

Failure to follow these instructions can result in death or serious burns to children and adults.

When moving range, slide range onto cardboard or hardboard to avoid damaging the floor covering.

If removing the range is necessary for cleaning or maintenance:

1. Slide range forward.
2. Unplug the power supply cord.
3. Complete cleaning or maintenance.
4. Plug in power supply cord.
5. Check that anti-tip bracket is installed:
 - Look for the anti-tip bracket securely attached to floor.
 - Slide range back so rear range foot is under anti-tip bracket.



6. Check that range is level.

SÉCURITÉ DE LA CUISINIÈRE

Votre sécurité et celle des autres est très importante.

Nous donnons de nombreux messages de sécurité importants dans ce manuel et sur votre appareil ménager. Assurez-vous de toujours lire tous les messages de sécurité et de vous y conformer.



Voici le symbole d'alerte de sécurité.

Ce symbole d'alerte de sécurité vous signale les dangers potentiels de décès et de blessures graves à vous et à d'autres.

Tous les messages de sécurité suivront le symbole d'alerte de sécurité et le mot "DANGER" ou "AVERTISSEMENT". Ces mots signifient :

⚠ DANGER

Risque possible de décès ou de blessure grave si vous ne suivez pas immédiatement les instructions.

⚠ AVERTISSEMENT

Risque possible de décès ou de blessure grave si vous ne suivez pas les instructions.

Tous les messages de sécurité vous diront quel est le danger potentiel et vous disent comment réduire le risque de blessure et ce qui peut se produire en cas de non-respect des instructions.

⚠ AVERTISSEMENT

Risque de basculement

Un enfant ou une personne adulte peut faire basculer la cuisinière ce qui peut causer un décès.

Joindre la bride antibasculement au pied arrière de la cuisinière.

Joindre de nouveau la bride antibasculement si la cuisinière est déplacée.

Le non-respect de ces instructions peut causer un décès ou des brûlures graves aux enfants et aux adultes.



EXIGENCES D'INSTALLATION

Outillage et pièces

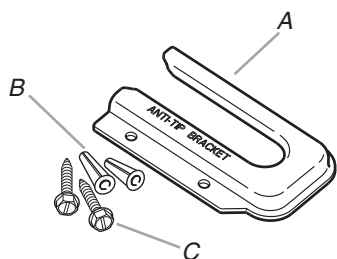
Rassembler les outils et pièces nécessaires avant de commencer l'installation. Lire et suivre les instructions fournies avec les outils indiqués ici.

Outillage nécessaire

- Mètre ruban
- Tournevis à lame plate
- Niveau
- Marteau
- Perceuse manuelle ou électrique
- Clé ou pince
- Marqueur ou crayon
- Ruban adhésif de masquage
- Clé à cliquet de 1/4"
- Tourne-écrou de 1/4"
- Tourne-écrou de 3/8" et 5/16"
- Foret de 1/8" (3,2 mm) (pour planchers de bois)
- Foret à maçonnerie à pointe carburée de 3/16" (4,8 mm) (pour planchers en béton/céramique)

Pièces fournies

Vérifier que toutes les pièces sont présentes.



A. Bride antibasculement
B. Ancrages en plastique (2)
C. Vis n° 10 x 1 1/2" (2)

- La bride antibasculement doit être bien fixée au sous-plancher. L'épaisseur du plancher peut nécessiter des vis plus longues pour l'ancrage de la bride dans le sous-plancher. Des vis plus longues sont disponibles auprès de votre quincaillerie locale.

Pièces nécessaires

Consulter les codes locaux. Vérifier l'alimentation électrique existante. Voir la section "Spécifications électriques".

Toutes les connexions électriques doivent être effectuées par un électricien qualifié et certifié.

Exigences d'emplacement

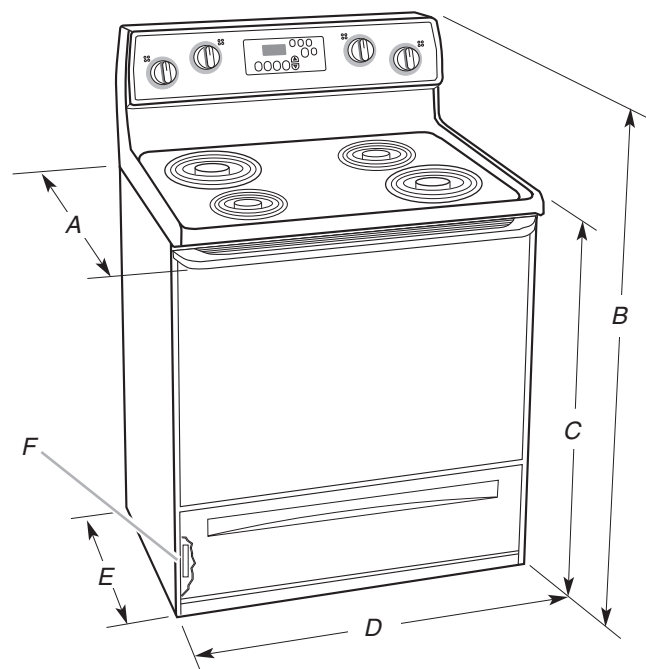
IMPORTANT : Observer les dispositions de tous les codes et règlements en vigueur.

- C'est à l'installateur qu'incombe la responsabilité de respecter les distances de séparation exigées, spécifiées sur la plaque signalétique de l'appareil. La plaque signalétique est située sur le côté gauche du châssis du four derrière le panneau du tiroir de remisage.
- La cuisinière doit être installée à un endroit pratique dans la cuisine.

- Afin de supprimer le risque de brûlures ou d'incendie en se penchant au-dessus des unités de surface chauffées, le rangement en armoire au-dessus des unités de surface doit être évité. Si le rangement en armoire est envisagé, le risque peut être réduit par l'installation d'une hotte de cuisine opérant horizontalement sur un minimum de 5" (12,7 cm) au-delà du bas des placards.
- Respecter les dimensions indiquées pour la cavité d'installation entre les placards. Ces dimensions constituent les valeurs minimales des dégagements de séparation.
- La bride antibasculement de plancher doit être installée. Pour l'installation de la bride antibasculement expédiée avec la cuisinière, voir la section "Installation de la bride antibasculement".
- Une source d'électricité avec liaison à la terre est nécessaire. Voir la section "Spécifications électriques".

IMPORTANT : Pour éviter tout dommage, consulter le constructeur ou le fabricant du placard pour déterminer si les matériaux utilisés ne subiront pas un changement de couleur, une déstratification ou d'autres dommages. Ce four a été conçu conformément aux exigences UL et aux normes de la CSA International; il respecte la température maximale autorisée pour les placards en bois : 194°F (90°C).

Dimensions du produit



- A. 27 1/32" (69,9 cm) de profondeur avec la poignée
- B. Hauteur hors-tout 46 7/8" (119,1 cm) avec les pieds de nivellement complètement vissés*
- C. Hauteur de la table de cuisson 36" (91,4 cm) avec les pieds de nivellement complètement vissés*
- D. 29 7/8" (75,9 cm) de largeur
- E. 25" (63,5 cm) de profondeur
- F. Plaque signalétique (située sur le côté gauche du châssis du four derrière le panneau du tiroir de remisage)

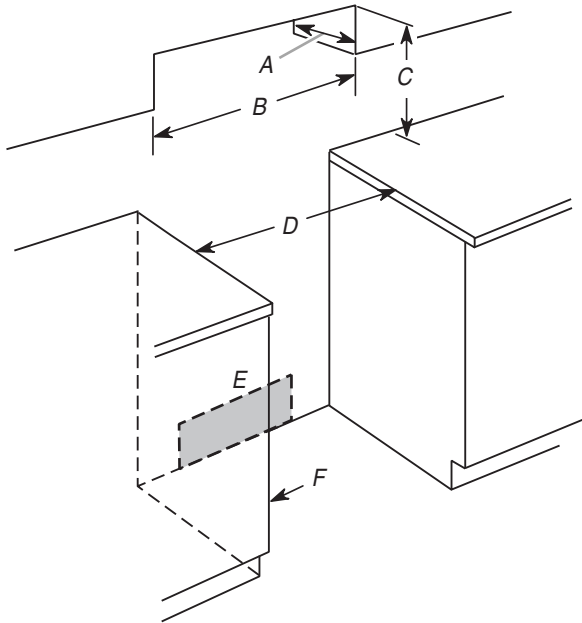
*La cuisinière peut être soulevée d'environ 1" (2,5 cm) en ajustant les pieds de nivellement.

Dimensions du placard

Les dimensions de l'espace d'installation entre les placards sont valides pour l'installation entre des placards de 24" (61 cm) de profondeur avec plan de travail de 25" (64 cm) de profondeur à hauteur de 36" (91,4 cm).

IMPORTANT : En cas d'installation d'une hotte ou d'un ensemble hotte/micro-ondes au-dessus de la cuisinière, suivre les instructions fournies avec la hotte concernant les dimensions de dégagement à respecter au-dessus de la surface de la table de cuisson.

On peut installer une cuisinière autoportante à côté de cloisons combustibles sans aucun dégagement.



- A. Profondeur max. du placard supérieur 13" (33 cm)
- B. Largeur de l'ouverture 30" (76,2 cm) min.
- C. Pour la distance libre minimale vers la partie supérieure de la table de cuisson, voir la REMARQUE*.
- D. Largeur de l'ouverture 31" (78,7 cm) min.
- E. Prise de courant - 8" (20,3 cm) à 22" (55,9 cm) depuis l'un des deux placards, 7" (17,8 cm) max. à partir du plancher
- F. 7/8" (2,2 cm) min. nécessaire entre la cavité et la porte du placard ou charnière

***REMARQUE :** Distance de séparation de 24" (61 cm) ou plus lorsque le fond d'un placard de bois ou de métal est protégé par une planche ignifugée d'au moins 1/4" (0,64 cm) recouverte d'une feuille métallique d'épaisseur égale ou supérieure à : acier calibre 28 MSG, acier inoxydable 0,015" (0,4 mm), aluminium 0,024" (0,6 mm), ou cuivre 0,020" (0,5 mm).

Distance de séparation de 30" (76,2 cm) ou plus entre le dessus de la table de cuisson et le fond d'un placard de bois ou de métal non protégé.

Spécifications électriques

⚠ AVERTISSEMENT



Risque de choc électrique

Relier la cuisinière à la terre.

Le non-respect de cette instruction peut causer un décès, un incendie ou un choc électrique.

Si les codes en vigueur le permettent et qu'un conducteur distinct de liaison à la terre est utilisé, on recommande qu'un électricien qualifié vérifie que la liaison à la terre et la taille du conducteur de liaison à la terre sont adéquates et conformes aux prescriptions des codes locaux.

Vérifier que le raccordement à la source d'électricité et le calibre des conducteurs sont conformes aux prescriptions de la plus récente édition des normes CSA C22.1, partie 1 - Code canadien de l'électricité, et de tout code ou règlement local en vigueur.

On peut obtenir un exemplaire des normes ci-dessus auprès de :

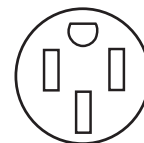
Canadian Standards Association
178 Rexdale Blvd.
Toronto, ON M9W 1R3 CANADA

- En cas de doute quant à la qualité de la liaison à la terre de la cuisinière, consulter un électricien qualifié.

Spécifications électriques pour la cuisinière*	Spécifications pour cordon pour alimentation	Protection du circuit
120/240 volts	120/208 volts	Ampères
8,8 - 16,5 KW	7,8 - 12,5 KW	40
16,6 - 22,5 KW	12,6 - 18,5 KW	50

*La charge calculée selon NEC est inférieure au total des charges connectées mentionné sur la plaque signalétique.

- On recommande l'emploi de fusibles temporisés ou disjoncteurs.
- Cette cuisinière est dotée d'un cordon d'alimentation (homologation CSA International) destiné à être branché sur une prise de courant murale standard 14-50R. Veiller à ce que la prise de courant murale soit placée à portée de la position de service finale de la cuisinière.



- Ne pas utiliser de câble de rallonge.

INSTRUCTIONS D'INSTALLATION

Déballage de la cuisinière

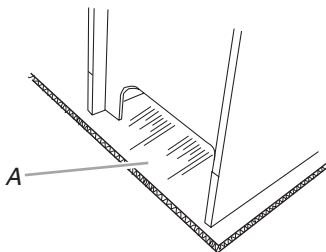
AVERTISSEMENT

Risque du poids excessif

Utiliser deux ou plus de personnes pour déplacer et installer la cuisinière.

Le non-respect de cette instruction peut causer une blessure au dos ou d'autre blessure.

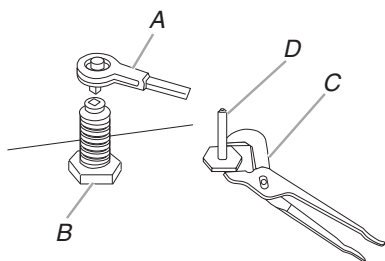
1. Ôter les matériaux d'emballage, le ruban adhésif et le film protecteur de la cuisinière.
2. Retirer les grilles de four et le sachet de pièces de l'intérieur du four.
3. Ne pas enlever la base d'expédition pour l'instant.



A. Base d'expédition

Sur les cuisinières équipées d'un tiroir de remisage :

Retirer le tiroir de remisage. Voir la section "Tiroir de remisage" pour plus de renseignements. Déployer les pieds de nivellement arrière d'un demi-tour; utiliser une clé à cliquet de 1/4". Déployer les pieds de nivellement avant d'un demi-tour; utiliser une clé ou une pince.

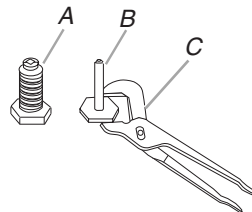


A. Clé à cliquet de 1/4"
B. Pied de nivellement arrière
C. Clé ou pince
D. Pied de nivellement avant

Sur les cuisinières équipées d'un tiroir réchaud :

Sur les cuisinières équipées d'un tiroir-réchaud, on ne peut pas accéder aux pieds arrière en retirant le tiroir-réchaud. Les pieds arrière doivent être réglés depuis l'extérieur de la cuisinière.

Déployer les pieds de nivellement avant et arrière d'un demi-tour; utiliser une clé ou une pince.



A. Pied de nivellement arrière
B. Pied de nivellement avant
C. Clé ou pince

Installation de la bride antibasculement

AVERTISSEMENT



Risque de basculement

Un enfant ou une personne adulte peut faire basculer la cuisinière ce qui peut causer un décès.

Joindre la bride antibasculement au pied arrière de la cuisinière.

Joindre de nouveau la bride antibasculement si la cuisinière est déplacée.

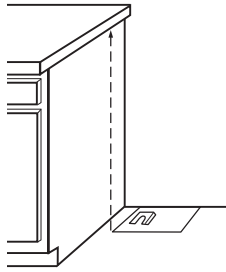
Le non-respect de ces instructions peut causer un décès ou des brûlures graves aux enfants et aux adultes.

Contactez un installateur de revêtements de sol qualifié au sujet des meilleures méthodes de perçage des trous de montage à travers le revêtement de sol existant.

Avant de déplacer la cuisinière, la faire glisser sur son emballage d'expédition, du carton ou un panneau de fibres dur.

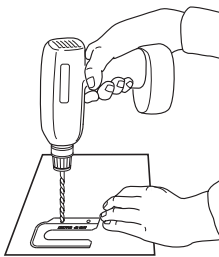
1. Enlever le gabarit de la trousse de la bride antibasculement (à l'intérieur de la cavité du four) ou de la couverture arrière du présent manuel.
2. Placer le gabarit sur le sol dans l'ouverture du placard de sorte que le bord gauche se trouve contre le placard, et le bord supérieur contre la paroi arrière, la plinthe ou le placard.
3. Fixer le gabarit avec du ruban adhésif.

4. Si le plan de travail n'est pas de niveau avec le haut de l'ouverture du placard, aligner le gabarit avec le surplomb.



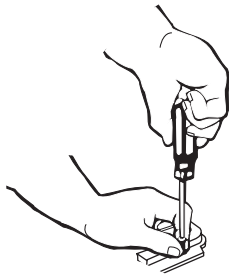
Si l'ouverture du meuble est plus large que ce qui est spécifié dans les "Exigences d'emplacement", ajuster le gabarit de sorte que la cuisinière soit au centre de l'ouverture du placard.

5. Pour monter la bride antibasculement sur un plancher de bois, percer deux trous de $\frac{1}{8}$ " (3,2 mm) aux emplacements indiqués sur le gabarit de la bride. Enlever le gabarit du sol.



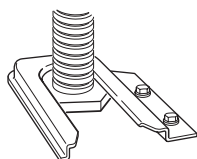
Pour monter la bride antibasculement sur un plancher en béton ou en céramique, utiliser un foret à maçonnerie de $\frac{3}{16}$ " (4,8 mm) pour percer 2 trous aux emplacements indiqués sur le gabarit de la bride. Enlever le gabarit du sol. Enfoncer les ancrages en plastique dans les trous à l'aide d'un marteau.

6. Aligner les trous de la bride antibasculement avec les trous dans le plancher. Fixer la bride antibasculement avec les vis fournies.



En fonction de l'épaisseur du plancher, des vis plus longues peuvent s'avérer nécessaires pour fixer la bride au sous-plancher. Des vis plus longues sont disponibles auprès de votre quincaillerie locale.

7. Déplacer la cuisinière suffisamment près de l'ouverture pour pouvoir effectuer les raccordements électriques finaux. Retirer la base d'expédition, le carton ou le panneau de fibre dur de sous la cuisinière.
8. Déplacer la cuisinière vers son emplacement final en s'assurant que le pied de nivellement arrière glisse dans la bride antibasculement.

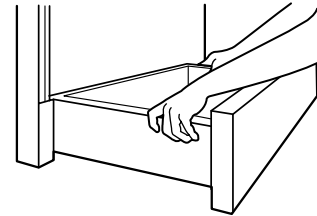


9. En cas d'installation de la cuisinière dans une résidence mobile, il est impératif de fixer la cuisinière au sol. Toute méthode de fixation de la cuisinière est adéquate dans la mesure où elle satisfait aux normes indiquées dans la section "Exigences d'emplacement".
10. Poursuivre l'installation de la cuisinière en utilisant les instructions d'installation suivantes.

Vérification de l'emplacement de la bride antibasculement

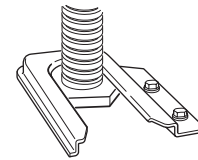
1. Sur les modèles avec tiroir de remisage. Voir la section "Tiroir de remisage".

Sur les modèles avec tiroir-réchaud, retirer le tiroir ne permet pas de visualiser le pied arrière. Il convient de visualiser le pied arrière de l'extérieur de la cuisinière.



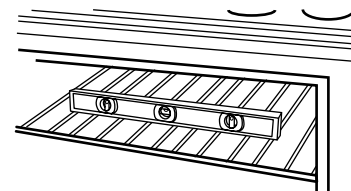
2. Utiliser une lampe de poche pour inspecter le dessous de la cuisinière afin de vérifier que la bride antibasculement est bien installée :

- Vérifier que la bride antibasculement est solidement fixée au sol.
- Faire glisser la cuisinière vers l'arrière; veiller à placer le pied arrière sous la bride antibasculement.



Mise à niveau de la cuisinière

1. Placer la grille dans le four.
2. Placer un niveau sur la grille et contrôler l'aplomb, d'abord transversalement, puis dans le sens avant/arrière.



3. Si la cuisinière n'est pas d'aplomb, tirer la cuisinière vers l'avant pour dégager le pied arrière de la bride antibasculement.

Sur les cuisinières équipées de tiroirs de remisage :

Avec une clé à cliquet de $\frac{1}{4}$ " , clé ou pince, ajuster les pieds de réglage de l'aplomb vers le haut ou vers le bas pour obtenir un parfait aplomb de la cuisinière. Remettre la cuisinière en position. Vérifier que le pied arrière est correctement engagé dans la bride antibasculement.

Sur les cuisinières équipées de tiroirs-réchaud :

Avec une clé ou pince, ajuster les pieds de réglage de l'aplomb vers le haut ou vers le bas pour obtenir un parfait aplomb de la cuisinière. Remettre la cuisinière en position. Vérifier que le pied arrière est correctement engagé dans la bride antibasculement.

REMARQUE : Il faut que l'appareil soit d'aplomb pour que le four produise une performance satisfaisante.

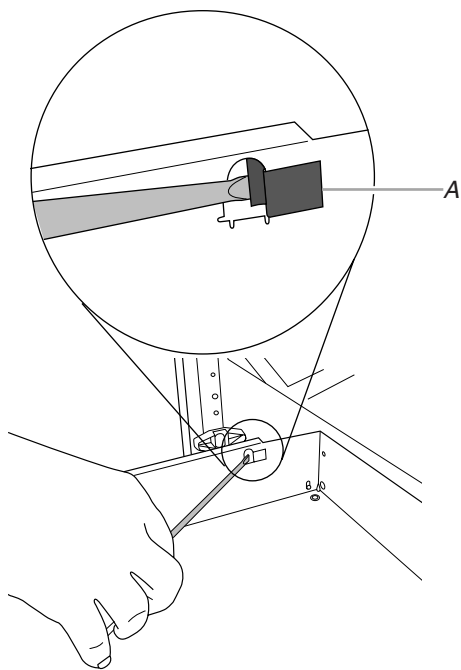
4. Réinstaller le tiroir de remisage (sur certains modèles).

Tiroir de Remisage

Le tiroir de remisage peut être enlevé. Avant de l'enlever, s'assurer que le tiroir de remisage est froid et vide. Un tournevis à lame plate est nécessaire pour la dépose.

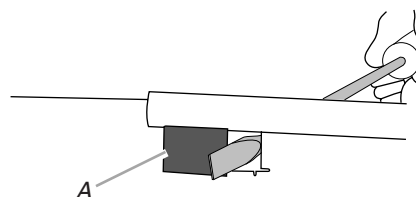
Dépose :

1. Tirer le tiroir de remisage vers l'avant jusqu'à la butée du tiroir. Enfoncer de nouveau le tiroir d'environ 1" (2,5 cm). Il faudra désengager le tiroir de remisage, un côté à la fois.
2. Insérer un tournevis à lame plate dans l'ouverture située sur le côté du tiroir de remisage en plaçant l'extrémité du tournevis à l'extérieur de l'attache du tiroir.



A. Attache du tiroir

3. Enfoncer l'attache de tiroir en appuyant le manche du tournevis vers le côté du tiroir de remisage.

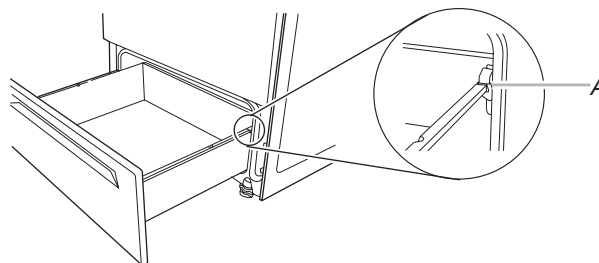


A. Attache du tiroir - vue de l'extérieur du tiroir de remisage

4. Tirer doucement le tiroir de remisage vers l'avant jusqu'à ce que l'attache préalablement enfoncée libère la glissière de tiroir.
5. Répéter les étapes 2-4 pour l'autre côté du tiroir de remisage.
6. Soulever l'arrière du tiroir de remisage et le retirer.

Remise en place :

1. Soulever l'arrière du tiroir de remisage et le placer dans la cuisinière, dans sa position la plus avancée.
2. Soulever l'avant du tiroir de remisage jusqu'à ce que le tiroir soit de niveau.
3. Pousser le tiroir de remisage lentement dans la cuisinière jusqu'à ce que les rails latéraux du tiroir s'engagent dans les ouvertures des glissières du tiroir.



A. Engager la glissière du tiroir.

4. Une fois que le tiroir de remisage est complètement engagé des deux côtés, faire glisser le tiroir pour le ramener en position fermée.
5. **REMARQUE :** Lors de la dépose et de la réinstallation du tiroir de remisage, il peut s'avérer nécessaire d'exercer une légère pression pour déplacer l'encoche de la butée de tiroir au-delà des glissières du tiroir.

Achever l'installation

1. Vérifier que toutes les pièces ont été installées. S'il reste une pièce, étudier en détail les étapes du processus d'installation pour identifier l'étape qui a été omise.
2. Vérifier la présence de tous les outils.
3. Jeter ou recycler tous les matériaux d'emballage.
4. Vérifier que la cuisinière est d'aplomb. Voir "Mise à niveau de la cuisinière".
5. Pour l'élimination des résidus de cire laissés par les matériaux d'expédition, utiliser une solution d'eau tiède et de produit de nettoyage ménager liquide doux. Sécher complètement avec un chiffon doux. Pour plus de renseignements, voir la section "Entretien de la cuisinière" dans le Guide d'utilisation et d'entretien.
6. Consulter la section "Utilisation de la cuisinière" dans le Guide d'utilisation et d'entretien.

⚠ AVERTISSEMENT



Risque de choc électrique

Relier la cuisinière à la terre.

Le non-respect de cette instruction peut causer un décès, un incendie ou un choc électrique.

7. Brancher le cordon électrique dans une prise de courant appropriée. Mettre l'appareil sous tension.
8. Allumer les brûleurs de surface et le four. Consulter le Guide d'utilisation et d'entretien pour des instructions spécifiques sur le fonctionnement de la cuisinière.

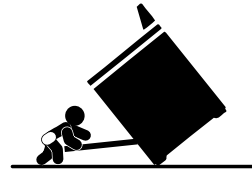
Si la cuisinière ne fonctionne pas, contrôler ce qui suit :

- Fusible grillé ou mal connecté? Disjoncteur ouvert?
- Cuisinière branchée sur une prise de courant?
- Circuit d'alimentation sous tension?
- Consulter la section "Dépannage" dans le Guide d'utilisation et d'entretien.

Après 5 minutes de fonctionnement de la cuisinière, vérifier l'échauffement. Si elle est froide, éteindre la cuisinière et contacter un technicien qualifié.

Déplacement de la cuisinière

⚠ AVERTISSEMENT



Risque de basculement

Un enfant ou une personne adulte peut faire basculer la cuisinière ce qui peut causer un décès.

Joindre la bride antibasculement au pied arrière de la cuisinière.

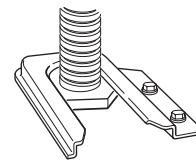
Joindre de nouveau la bride antibasculement si la cuisinière est déplacée.

Le non-respect de ces instructions peut causer un décès ou des brûlures graves aux enfants et aux adultes.

Lorsqu'on déplace la cuisinière, la faire glisser sur une planche de carton ou en matériau dur pour éviter d'endommager le revêtement du sol.

Si le déplacement de la cuisinière est nécessaire pour le nettoyage ou l'entretien :

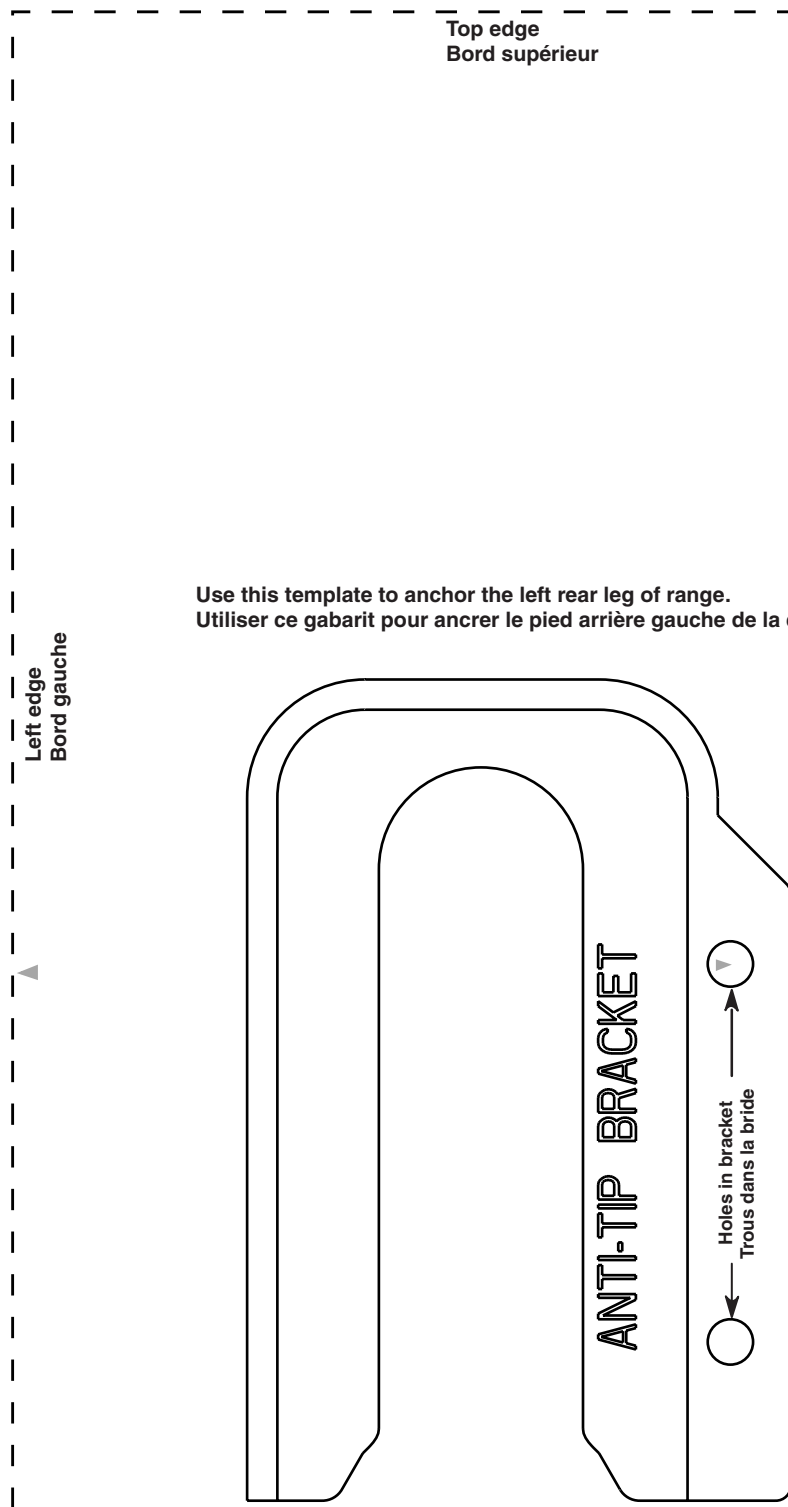
1. Faire glisser la cuisinière vers l'avant.
2. Débrancher le cordon d'alimentation.
3. Effectuer le nettoyage ou l'entretien.
4. Brancher le cordon d'alimentation.
5. S'assurer que la bride antibasculement est installée :
 - Vérifier que la bride antibasculement est bien fixée au plancher.
 - Glisser de nouveau la cuisinière vers l'arrière de sorte que le pied soit sous la bride antibasculement.



6. Vérifier que la cuisinière est d'aplomb.

ANTI-TIP BRACKET TEMPLATE GABARIT POUR LA BRIDE ANTIBASCULEMENT

Cut on dotted lines and place the left edge against the left side cabinet and the top edge against the rear wall.
Couper le long des pointillés et placer le bord gauche contre le côté gauche du placard et le bord supérieur contre la paroi arrière.



Use this template to anchor the left rear leg of range.
Utiliser ce gabarit pour ancrer le pied arrière gauche de la cuisinière.