



# Bottom Freezer Refrigerators

**Safety Instructions** .....2, 3

**Operating Instructions**

Additional Features .....8

Automatic Icemaker .....11

Care and Cleaning .....12-13

Controls .....4-5

Crispers and Pans .....9

Freezer .....10

Replacing the Light Bulbs .....14

Shelves and Bins .....7, 8

Water Dispenser .....11

Water Filter .....6

**Installation Instructions**

Installing the Anti-Tip  
Floor Bracket .....18-19

Installing the Refrigerator ....20-24

Installing the Water Line ....33-35

Preparing to Install  
the Refrigerator .....17

Removing and Replacing the  
Freezer Drawer .....25, 26

Reversing the Door Swing  
(Single Door Refrigerator  
Models only) .....27-29

Removing and Replacing  
the Doors (Double Door  
Refrigerator Models only) ....30-32

Trim Kits and Decorator Panels .15-16

**Troubleshooting Tips** .....36-40

Normal Operating Sounds .....36

**Consumer Support**

Consumer Support .....Back Cover

Performance Data Sheet .....47

Product Registration  
for Canadian Customers .....43, 44

Product Registration  
for U.S. Customers .....41, 42

State of California Water  
Treatment Device Certificate .....48

Warranty for Canadian  
Customers .....46

Warranty for U.S. Customers .....45

**Write the model and serial numbers here:**

**Model #** \_\_\_\_\_

**Serial #** \_\_\_\_\_

Find these numbers on a label on the right side, near the top of the refrigerator compartment.

**Owner's Manual and Installation Instructions**

*Models 21 and 25*

Congélateur inférieur

## Réfrigérateurs

**Manuel d'utilisation et d'installation**

*La section française commence à la page 49*

Congelador inferior

## Refrigeradores

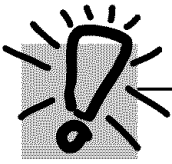
**Manual del propietario y instalación**

*La sección en español empieza en la página 93*

# IMPORTANT SAFETY INFORMATION. READ ALL INSTRUCTIONS BEFORE USING.

## **⚠ WARNING!**

Use this appliance only for its intended purpose as described in this Owner's Manual.



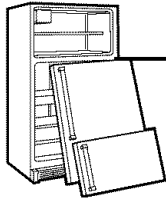
## SAFETY PRECAUTIONS

When using electrical appliances, basic safety precautions should be followed, including the following:

- This refrigerator must be properly installed and located in accordance with the Installation Instructions before it is used.
- Do not allow children to climb, stand or hang on the shelves in the refrigerator. They could damage the refrigerator and seriously injure themselves.
- Do not touch the cold surfaces in the freezer compartment when hands are damp or wet. Skin may stick to these extremely cold surfaces.
- Do not store or use gasoline or other flammable vapors and liquids in the vicinity of this or any other appliance.
- Keep fingers out of the "pinch point" areas; clearances between the doors and between the doors and cabinet are necessarily small. Be careful closing doors when children are in the area.
- In refrigerators with automatic icemakers, avoid contact with the moving parts of the ejector mechanism, or with the heating element that releases the cubes. Do not place fingers or hands on the automatic icemaking mechanism while the refrigerator is plugged in.
- Unplug the refrigerator before cleaning and making repairs.  
**NOTE:** We strongly recommend that any servicing be performed by a qualified individual.
- Setting either or both controls to **0 (off)** does not remove power to the light circuit.
- Do not refreeze frozen foods which have thawed completely.

## **⚠ DANGER! RISK OF CHILD ENTRAPMENT**

### PROPER DISPOSAL OF THE REFRIGERATOR



Child entrapment and suffocation are not problems of the past. Junked or abandoned refrigerators are still dangerous...even if they will sit for "just a few days." If you are getting rid of your old refrigerator, please follow the instructions below to help prevent accidents.

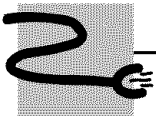
#### **Before You Throw Away Your Old Refrigerator or Freezer:**

- Take off the doors.
- Leave the shelves in place so that children may not easily climb inside.

#### **Refrigerants**

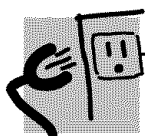
All refrigeration products contain refrigerants, which under federal law must be removed prior to product disposal. If you are getting rid of an old refrigeration product, check with the company handling the disposal about what to do.

## USE OF EXTENSION CORDS



Because of potential safety hazards under certain conditions, we strongly recommend against the use of an extension cord.

However, if you must use an extension cord, it is absolutely necessary that it be a UL-listed (in the United States) or a CSA certified (in Canada), 3-wire grounding type appliance extension cord having a grounding type plug and outlet and that the electrical rating of the cord be 15 amperes (minimum) and 120 volts.

**⚠ WARNING!****HOW TO CONNECT ELECTRICITY**

*Do not, under any circumstances, cut or remove the third (ground) prong from the power cord. For personal safety, this appliance must be properly grounded.*

The power cord of this appliance is equipped with a 3-prong (grounding) plug which mates with a standard 3-prong (grounding) wall outlet to minimize the possibility of electric shock hazard from this appliance.

Have the wall outlet and circuit checked by a qualified electrician to make sure the outlet is properly grounded.

Where a standard 2-prong wall outlet is encountered, it is your personal responsibility and obligation to have it replaced with a properly grounded 3-prong wall outlet.

The refrigerator should always be plugged into its own individual electrical outlet which has a voltage rating that matches the rating plate.

This provides the best performance and also prevents overloading house wiring circuits which could cause a fire hazard from overheated wires.

Never unplug your refrigerator by pulling on the power cord. Always grip plug firmly and pull straight out from the outlet.

Repair or replace immediately all power cords that have become frayed or otherwise damaged. Do not use a cord that shows cracks or abrasion damage along its length or at either end.

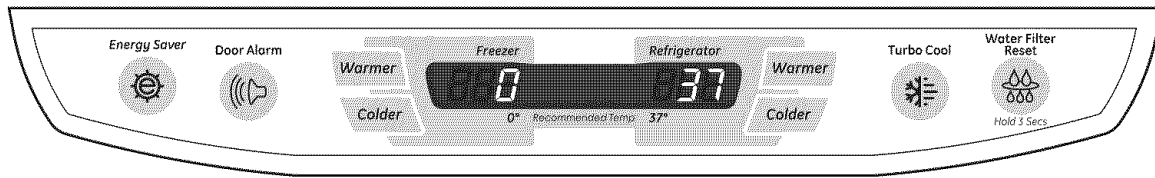
When moving the refrigerator away from the wall, be careful not to roll over or damage the power cord.



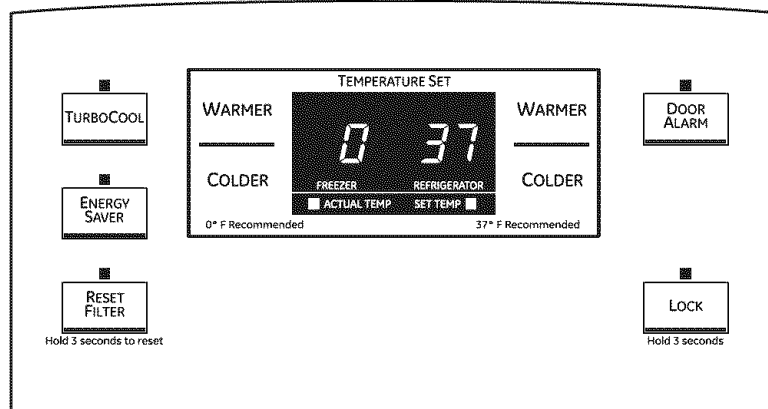
**READ AND FOLLOW THIS SAFETY INFORMATION CAREFULLY.**

**SAVE THESE INSTRUCTIONS**

## About the controls with temperature settings.



(on some models)



(on some models)

**NOTE:** The refrigerator is shipped with protective film covering the temperature controls. If this film was not removed during installation, remove it now.

The temperature controls are preset in the factory at **37°F** for the refrigerator compartment and **0°F** for the freezer compartment. Allow 24 hours for the temperature to stabilize to the preset recommended settings.

The temperature controls can display both the **SET** temperature as well as the actual temperature in the refrigerator and freezer. The actual temperature may vary slightly from the **SET** temperature based on usage and operating environment.

Setting either or both controls to **OFF** stops cooling in both the freezer and refrigerator compartments, but does not shut off electrical power to the refrigerator.

### Changing the Temperature

#### For Controls-on-the-Door Models:

To change the temperature, press and release the **WARMER** or **COLDER** pad. The **ACTUAL TEMP** light will come on and the display will show the actual temperature. To change the temperature, tap either the **WARMER** or **COLDER** pad until the desired temperature is displayed.

#### For Controls Inside the Refrigerator:

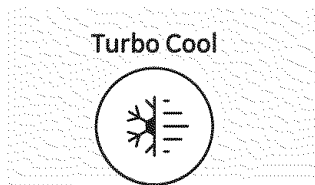
Opening the door displays the actual temperature. To change the temperature, press either the **WARMER** or **COLDER** touch pads until the desired temperature is displayed.

Once the desired temperature has been set, the temperature display will return to the actual refrigerator and freezer temperatures after 5 seconds. Several adjustments may be required.

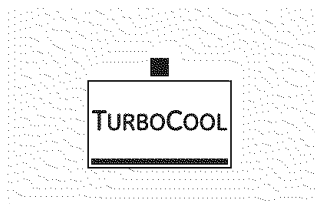
Each time you adjust controls, allow 24 hours for the refrigerator to reach the temperature you have set.

To turn the cooling system off, tap the **WARMER** pad for either the refrigerator or the freezer until the display shows **OFF**. To turn the unit back on, press the **COLDER** pad for either the refrigerator or freezer. Then press the **COLDER** pad again and it will go to the preset points of **0°F** for the freezer and **37°F** for the refrigerator. Setting either or both controls to **OFF** stops cooling in both the freezer and refrigerator compartments, but does not shut off electrical power to the refrigerator.





(on some models)



(on some models)

### How it Works

**TurboCool** rapidly cools the refrigerator compartment in order to more quickly cool foods. Use **TurboCool** when adding a large amount of food to the refrigerator compartment, putting away foods after they have been sitting out at room temperature or when putting away warm leftovers. It can also be used if the refrigerator has been without power for an extended period.

Once activated, the compressor will turn on immediately and the fans will cycle on and off at high speed as needed for eight hours. The compressor will continue to run until the refrigerator compartment cools to approximately 34°F (1°C), then it will cycle on and off to maintain this setting. After 8 hours, or if **TurboCool** is pressed again, the refrigerator compartment will return to the original setting.

### How to Use

Press **TurboCool**. The refrigerator temperature display will show **EC**.

After **TurboCool** is complete, the refrigerator compartment will return to the original setting.

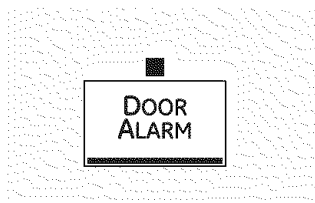
**NOTES:** The refrigerator temperature cannot be changed during **TurboCool**.

The freezer temperature is not affected during **TurboCool**.

When opening the refrigerator door during **TurboCool**, the fans will continue to run if they have cycled on.



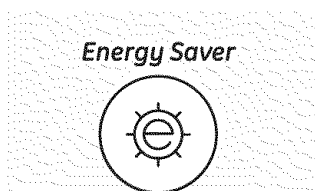
(on some models)



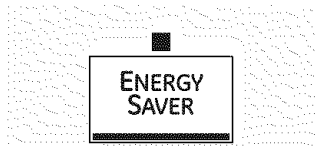
(on some models)

### About Door Alarm (on some models)

The door alarm will sound if any door is open for more than 2 minutes. The beeping stops when you close the door.



(on some models)



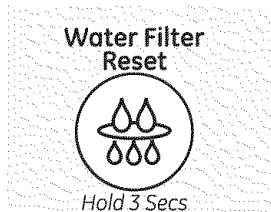
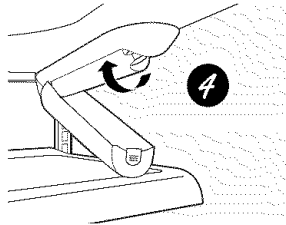
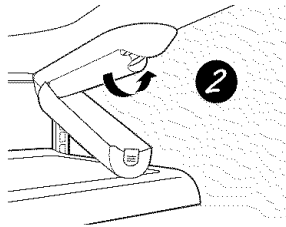
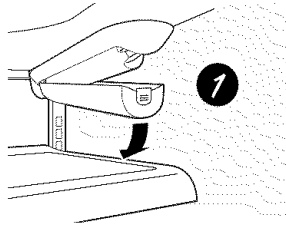
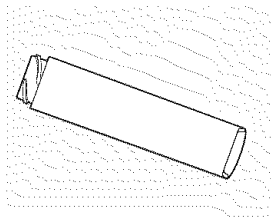
(on some models)

### About Energy Saver (on some models)

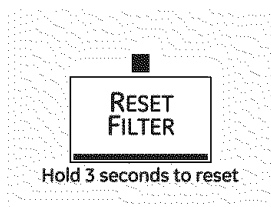
This product is equipped with an Energy Saver feature. The refrigerator is shipped with the Energy Saver feature enabled.

Over time, moisture can form on the front surface of the refrigerator cabinet and cause rust. If moisture does appear on the front surface of the refrigerator cabinet, turn off the Energy Saver feature by pressing and releasing the **ENERGY SAVER** pad on the control panel.

## About the water filter. (on some models)



(on some models)



(on some models)

### Water Filter Cartridge

The water filter cartridge is located in the back upper right corner of the refrigerator compartment.

### When to Replace the Filter

There is a replacement indicator light for the water filter cartridge on the temperature display. This light will turn orange to tell you that you need to replace the filter soon. The filter cartridge should be replaced when the replacement indicator light turns red or if the flow of water to the dispenser or icemaker decreases.

### Installing the Filter Cartridge

- 1 If you are replacing the cartridge, first remove the old one. Open the cartridge cover by pressing in on the tab at the front and pulling down.
- 2 Remove the cartridge by slowly rotating it counterclockwise. A small amount of water may drip down.

**⚠ CAUTION:** *If air has been trapped in the system, the filter cartridge may be ejected as it is removed. Use caution when removing.*

- 3 Remove the protective foil from the end of the cartridge.
- 4 Lining up the arrow on the cartridge and the cartridge holder, slowly rotate the cartridge clockwise until it stops. When the cartridge is properly installed, you will feel it “click” as it locks into place. The grip on the end of the cartridge should be positioned vertically. **Do not overtighten.**
- 5 Close the cartridge cover.
- 6 Run water from the dispenser for 3 minutes (about 1½ gallons) to clear the system and prevent sputtering. See *To Use the Dispenser* section.
- 7 Press and hold the **RESET WATER FILTER** pad for 3 seconds.

**NOTE:** A newly-installed water filter cartridge may **cause water to spurt** from the dispenser.

### Filter Bypass Plug

You must use the filter bypass plug when a replacement filter cartridge is not available. The icemaker will not operate without the filter or filter bypass plug.

#### Replacement Filters:

**To order additional filter cartridges in the United States, visit our Website, [ge.com](http://ge.com), or call GE Parts and Accessories, 800.626.2002.**

Filter Model GSWF

Customers in Canada should consult the yellow pages for the nearest Mabe Service Center.

Not all features are on all models.

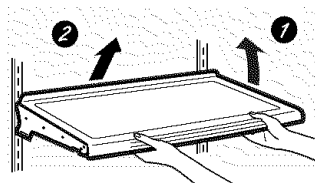
## Rearranging the Shelves

Shelves in the refrigerator compartment are adjustable.

### Refrigerator Compartment

#### To remove:

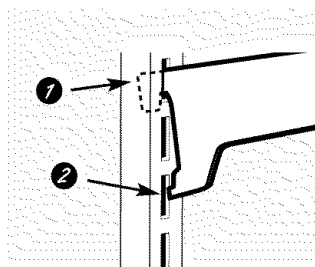
- 1 Remove all items from the shelf.
- 2 Tilt the shelf up at the front.
- 3 Lift the shelf up at the back and bring the shelf out.



Some models have wire shelves that can be adjusted in the same manner.

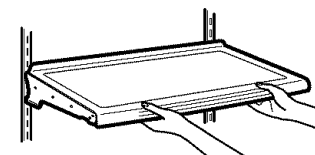
#### To replace:

- 1 While tilting the shelf up, insert the top hook at the back of the shelf in a slot on the track.
- 2 Lower the front of the shelf until the bottom of the shelf locks into place.



### Spillproof Shelves (on some models)

Spillproof shelves have special edges to help prevent spills from dripping to lower shelves. To remove or replace the shelves, see *Rearranging the Shelves*.

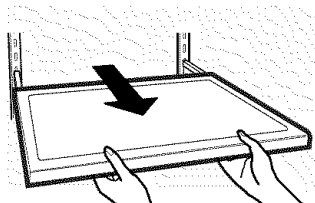


### Slide-Out Spillproof Shelf (on some models)

The slide-out spillproof shelf allows you to reach items stored behind others. The special edges are designed to help prevent spills from dripping to lower shelves.

#### To remove:

- 1 Remove all items from shelf.
- 2 Slide the shelf out until it stops.
- 3 Lift the front edge of the shelf until the central tabs are above the front bar.
- 4 Continue pulling the shelf forward until it can be removed.



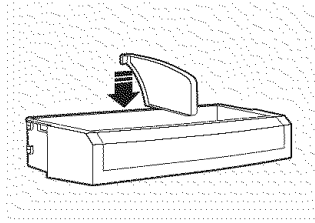
#### To replace:

- 1 Place the rear shelf tabs just in front of the central notches on the shelf frame.
- 2 Slide the shelf in until the central tabs are slightly behind the front bar.
- 3 Lower the shelf into place until it is horizontal and slide the shelf in.

*Make sure that the shelf sits flat after reinstallation and doesn't move freely from side to side.*

*Make sure you push the shelves all the way in before you close the door.*

## About the shelves and bins.



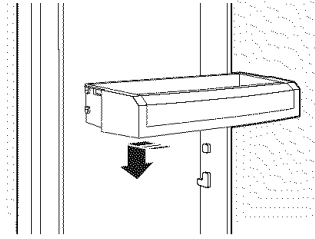
### Adjustable Bins on the Door

Adjustable bins can easily be carried from refrigerator to work area.

**To remove:** Lift bin straight up, then pull out.

**To replace or relocate:** Slide in the bin just above the molded door supports, and push down. The bin will lock in place.

**The snugger** helps prevent tipping, spilling or sliding of small items stored on the door shelf. Grip the finger hold near the rear of the snugger and move it to fit your needs.



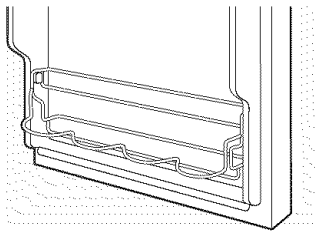
### Non-Adjustable Bins on the Door

**To remove:** Lift the bin straight up, then pull out.

**To replace:** Engage the bin in the molded supports on the door and push down. It will lock in place.

## About the additional features.

Not all features are on all models.



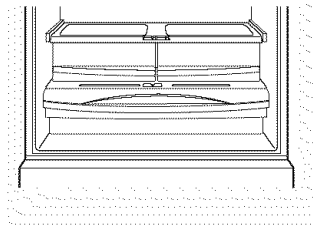
### Non-Adjustable Beverage Rack

**To remove:** Lift the rack straight up, then pull out.

**To replace:** Engage the rack in the molded supports on the door and push down. It will lock in place.

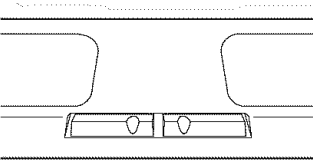
# About the crispers and pans.

Not all features are on all models.



## Fruit and Vegetable Crisper

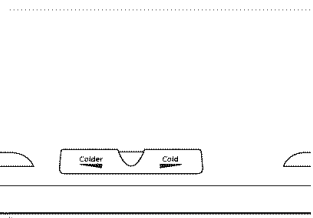
Excess water that may accumulate in the bottom of the drawers or under the drawers should be wiped dry.



## Adjustable Humidity Crisper (on some models)

Slide the control all the way to the **HIGH** setting to provide high humidity recommended for most vegetables.

Slide the control all the way to the **LOW** setting to provide lower humidity levels recommended for most fruits.



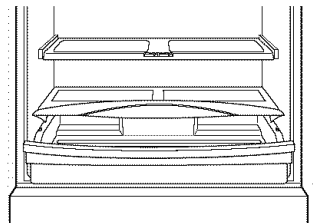
## Adjustable Temperature Deli Pan (on some models)

Slide the control all the way to the left for the coldest temperature.

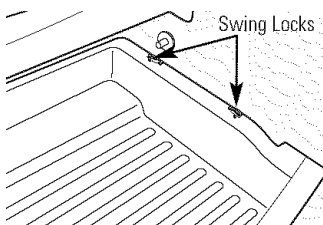
## How to Remove and Replace the Deli Pan

**To remove:**

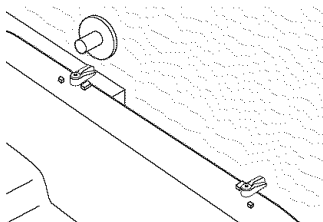
- 1 Remove the fruit and vegetable drawers.
- 2 Pull the drawer out to the stop position.



- 3 Lift the lid to access the 4 swing locks.

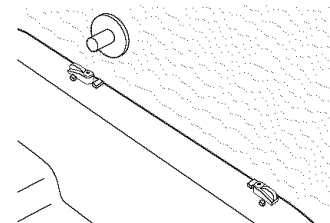


- 4 Rotate all four swing locks to the unlock position.
- 5 Lift the front of the drawer up and out.



**To replace:**

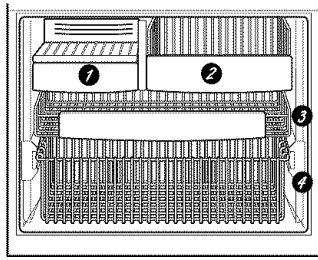
- 1 Make sure all four swing locks are in the unlock position.
- 2 Place the sides of the drawer into the drawer supports, making sure the swing locks fit on the drawer slots.
- 3 Lock all four swing locks by rotating them to the lock position.



- 4 Lower the lid and slide in the drawer.
- 5 Replace the fruit and vegetable drawers.

# About the freezer.

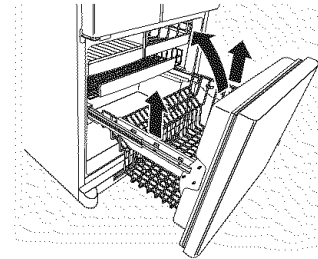
Not all features are on all models.



Appearance and features may vary

## Freezer Shelves and Baskets

- ① A shelf above the ice storage bin
- ② A half-width basket
- ③ A shallow full-width basket
- ④ A deep full-width basket



Appearance may vary

## Basket Removal

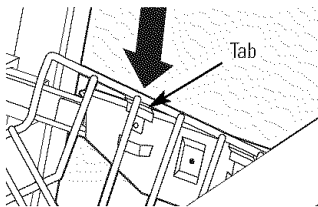
To remove the deep full-width basket on freezer drawer models:

- ① Open the freezer drawer until it stops.
- ② The freezer basket rests on the inside tabs on the drawer slides.
- ③ Lift the basket so that all 4 tabs are out of the slide bracket.
- ④ Tilt the basket and lift out of the drawer.
- ⑤ Make sure the plastic sleeves remain attached to the 4 tabs on the slide brackets.

**When replacing the deep full-width basket:**

Tilt the basket back and lower it down into the drawer. Rotate the basket to a horizontal position and press it down into the 4 alignment tabs.

**NOTE:** Always be sure that all 4 basket tabs are engaged in the slide brackets before sliding back into the freezer.

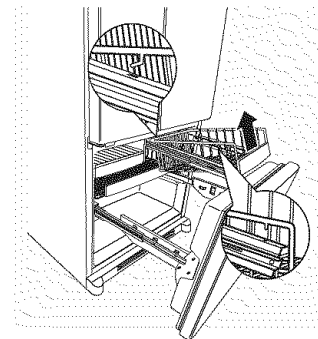


To remove the half-width basket:

- ① Pull the basket out to the stop location.
- ② Lift the basket up at the front to release it from the slides.
- ③ Lift the back up and out of the slide.

**When replacing the basket,** make sure that the wire tabs and wire hooks on the sides of the basket go into the slots in the top of the upper basket slides.

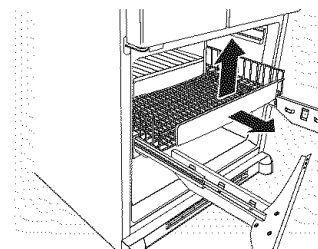
**NOTE:** Always be sure to fully close this basket.



Appearance may vary

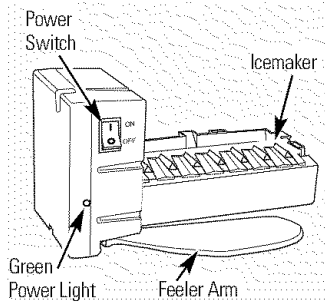
To remove the shallow full-width basket:

- ① Pull the basket out to the stop location.
- ② Lift the front up and over the stop location.
- ③ Lift the basket up and out.



Appearance may vary

A newly installed refrigerator may take 12 to 24 hours to begin making ice.



## Automatic Icemaker (on some models)

The icemaker will produce seven cubes per cycle—approximately 100–130 cubes in a 24-hour period, depending on freezer compartment temperature, room temperature, number of door openings and other use conditions.

See below for how to access ice and reach the power switch.

If the refrigerator is operated before the water connection is made to the icemaker, set the power switch in the **O (off)** position.

When the refrigerator has been connected to the water supply, set the power switch to the **I (on)** position. The icemaker power light will turn green when the freezer light switch is pressed in or when the freezer door is closed.

The icemaker will fill with water when it cools to 15°F (–10°C). A newly installed refrigerator may take 12 to 24 hours to begin making ice cubes.

You will hear a buzzing sound each time the icemaker fills with water.

Throw away the first few batches of ice to allow the water line to clear.

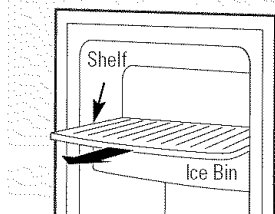
Be sure nothing interferes with the sweep of the feeler arm.

When the bin fills to the level of the feeler arm, the icemaker will stop producing ice. It is normal for several cubes to be joined together.

If ice is not used frequently, old ice cubes will become cloudy, taste stale and shrink.

**NOTE:** In homes with lower-than-average water pressure, you may hear the icemaker cycle multiple times when making one batch of ice.

**NOTE:** Set the power switch to the **O (off)** position if the water supply is shut off.

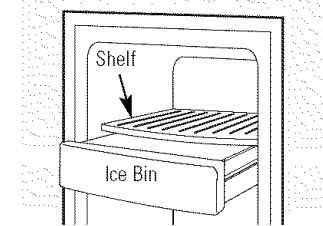


To reach the power switch.

## Accessing Ice and Reaching the Power Switch

To reach the icemaker power switch, pull the shelf above the ice bin straight out. Always be sure to replace the shelf.

To access ice, simply pull the bin forward.

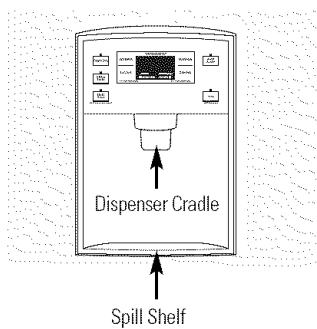


To access ice.

## Icemaker Accessory Kit

If your refrigerator did not come already equipped with an automatic icemaker, an icemaker accessory kit is available at extra cost.

Check the back of the refrigerator for the specific icemaker kit needed for your model.



## To Use the External Dispenser (on some models)

Press the glass gently against the top of the dispenser cradle.

The spill shelf is not self-draining. To reduce water spotting, the shelf should be cleaned regularly.

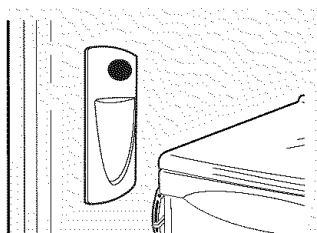
If no water is dispensed when the refrigerator is first installed, there may be air in the water line system. Press the dispenser arm for at least two minutes to remove trapped air from the water line and to fill the water system. To flush out impurities in the water line, throw away the first six glassfuls of water.

## Locking the Dispenser

Press the **LOCK** pad for 3 seconds to lock the dispenser and control panel. To unlock, press and hold the pad again for 3 seconds.

## Door Alarm

To set the alarm, press the **DOOR ALARM** pad. The indicator light will illuminate. This alarm will sound if either door is open for more than 2 minutes. The beeping stops when you close the door.



## To Use the Internal Dispenser (on some models)

The water dispenser is located on the left wall inside the refrigerator compartment.

### To dispense water:

- 1 Hold the glass against the recess.
- 2 Push the water dispenser button.
- 3 Hold the glass underneath the dispenser for 2–3 seconds after releasing the dispenser button. Water may continue to dispense after the button is released.

If no water is dispensed when the refrigerator is first installed, there may be air in the water line system. Press the dispenser button for at least 2 minutes to remove trapped air from the water line and to fill the water system. During this process, the dispenser noise may be loud as the air is purged from the water line system. To flush out impurities in the water line, throw away the first 6 glassfuls of water.

**NOTE:** To avoid water deposits, the dispenser should be cleaned periodically by wiping with a clean cloth or sponge.

## Care and cleaning of the refrigerator.

### Cleaning the Outside

**The door handles and trim.** Clean with a cloth dampened with soapy water. Dry with a soft cloth. Do not use wax on the door handles and trim.

**Keep the outside clean.** Wipe with a clean cloth lightly dampened with kitchen appliance wax or mild liquid dish detergent. Dry and polish with a clean, soft cloth.

*Do not wipe the refrigerator with a soiled dish cloth or wet towel. These may leave a residue that can erode the paint. Do not use scouring pads, powdered cleaners, bleach or cleaners containing bleach because these products can scratch and weaken the paint finish.*

**The stainless steel panels and door handles.** Stainless steel (on some models) can be cleaned with a commercially available stainless steel cleaner. A spray-on stainless steel cleaner works best.

Do not use appliance wax or polish on the stainless steel.

**Silver-plated plastic parts.** Wash parts with soap or other mild detergents. Wipe clean with a sponge, damp cloth or paper towel.

Do not scrub with steel-wool pads or other abrasive cleaners.

### Cleaning the Inside

**To help prevent odors,** leave an open box of baking soda in the refrigerator and freezer compartments.

**Unplug the refrigerator before cleaning.** If this is not practical, wring excess moisture out of sponge or cloth when cleaning around switches, lights or controls.

Use an appliance wax polish on the inside surface between the doors.

Use warm water and baking soda solution—about a tablespoon (15 ml) of baking soda to a quart (1 liter) of water. This both cleans and neutralizes odors. Rinse and wipe dry.

After cleaning the door gaskets, apply a thin layer of petroleum jelly to the door gaskets at the hinge side. This helps keep the gaskets from sticking and bending out of shape.

*Avoid cleaning cold glass shelves with hot water because the extreme temperature difference may cause them to break. Handle glass shelves carefully. Bumping tempered glass can cause it to shatter.*

*Do not wash any plastic refrigerator parts in the dishwasher.*

**Silver-accented plastic parts.** Wash parts with soapy water. Wipe clean with a sponge, damp cloth or paper towel.

Do not scrub with steel-wool pads or other abrasive cleaners.



### **Behind the Refrigerator**

Be careful when moving the refrigerator away from the wall. All types of floor coverings can be damaged, particularly cushioned coverings and those with embossed surfaces.

Raise the leveling legs located at the bottom front of the refrigerator.

Pull the refrigerator straight out and return it to position by pushing it straight in.

Moving the refrigerator in a side direction may result in damage to the floor covering or refrigerator.

Lower the leveling legs until they touch the floor.

*When pushing the refrigerator back, make sure you don't roll over the power cord or icemaker supply line (on some models) and ensure the anti-tip bracket is engaged (if equipped).*

### **Preparing for Vacation**

For long vacations or absences, remove food and unplug the refrigerator. Clean the interior with a baking soda solution of one tablespoon (15 ml) of baking soda to one quart (1 liter) of water. Leave the doors open.

Set the icemaker power switch to the **O (off)** position and shut off the water supply to the refrigerator.

If the temperature can drop below freezing, have a qualified servicer drain the water supply system (on some models) to prevent serious property damage due to flooding.

### **Preparing to Move**

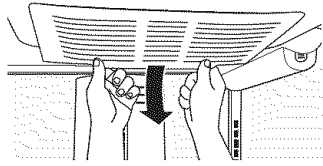
Secure all loose items such as base grille, shelves and drawers by taping them securely in place to prevent damage.

When using a hand truck to move the refrigerator, do not rest the front or back of the refrigerator against the hand truck. This could damage the refrigerator. Handle only from the sides of the refrigerator.

*Be sure the refrigerator stays in an upright position during moving.*

## Replacing the light bulbs.

Turning the control to the **0 (off)** position does not remove power to the light circuit.



### Refrigerator Lights (on some models)

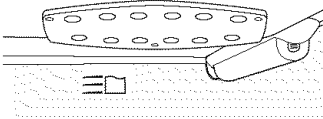
**⚠ CAUTION:** Light bulbs may be hot.

- 1 Unplug the refrigerator.
- 2 To remove the light shield, grasp the shield at the back and pull out to release the tabs at the back.
- 3 Rotate the shield down and then forward to release the tabs at the front of the shield.

4 After replacing with an appliance bulb of the same or lower wattage, replace the shield.

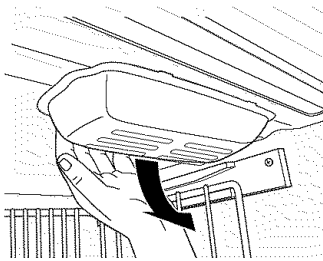
5 Plug the refrigerator back in.

**NOTE:** Appliance bulbs may be ordered from GE Parts and Accessories, 800.626.2002.



### LED Refrigerator Lights (on some models)

An authorized technician will need to replace the LED light.



Appearance may vary

### Freezer Light

**⚠ CAUTION:** Light bulbs may be hot.

- 1 Unplug the refrigerator.
- 2 The bulb is located at the top of the freezer inside a light shield. To remove the shield, grasp the shield at the back and pull out to release the tabs at the back.
- 3 Rotate the shield down and then forward to release the tabs at the front of the shield.

4 After replacing with an appliance bulb of the same or lower wattage, replace the shield.

5 Plug the refrigerator back in.

# Trim kits and decorator panels.

For panel required models

**Read these instructions completely and carefully.**



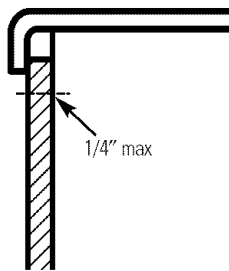
## Before You Begin

Some models are equipped with trim kits that allow you to install door panels. You can order pre-cut black or white decorator panels from GE Parts and Accessories, 800.626.2002, or you can add wood panels to match your kitchen cabinets.

### Panels less than 1/4" (6 mm) thick

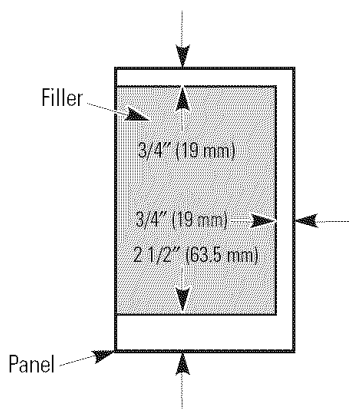
When installing wood panels less than 1/4" (6 mm) thick, you need to create a filler panel, such as 1/8" cardboard, that will fit between the face of the door and the wood panel. If you are installing the pre-cut decorator panels, pre-cut filler panels are included in the kit. The combined thickness of the decorator or wood panel and the filler panel should be 11/32" (8.7 mm) with the panel itself being no larger than 1/4" (6 mm).

Panels 1/4" thick or less

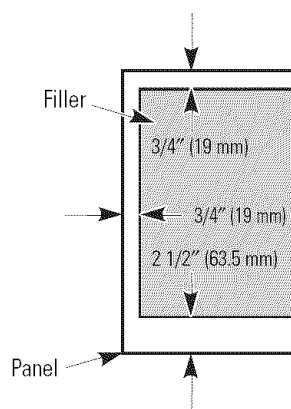


The handle and the top and bottom trim stand in front of the surface of the door, which requires that the filler be smaller in length and width than the panel. Use the guidelines below and tape the filler onto the back of the panel.

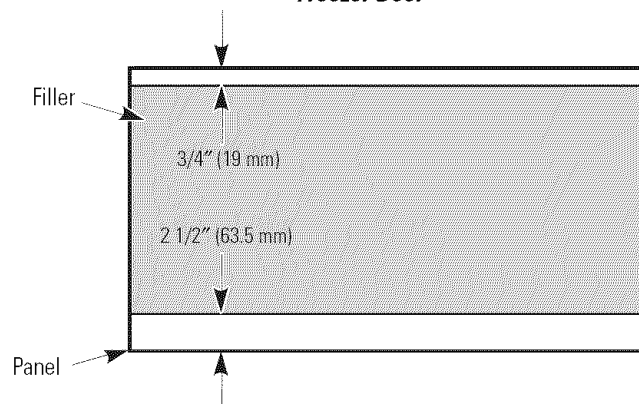
**Left Fresh Food Door**



**Right Fresh Food Door**



**Freezer Door**



# Trim kits and decorator panels.

## 3/4" (19 mm) or Raised Panel

A raised panel design screwed or glued to a 1/4" (6 mm) thick backing, or a 3/4" (19 mm) routed board can be used. The raised portion of the panel must be fabricated to permit clearances of at least 2" (5.1 cm) from the handle side for fingertip clearance.

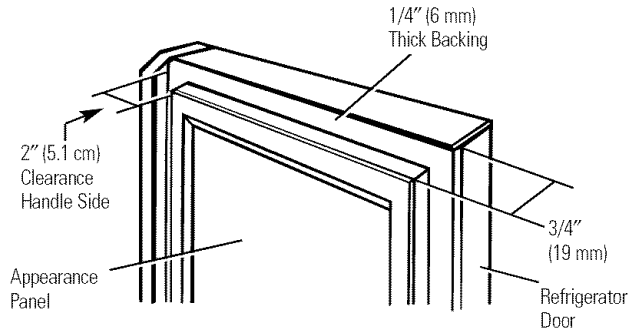
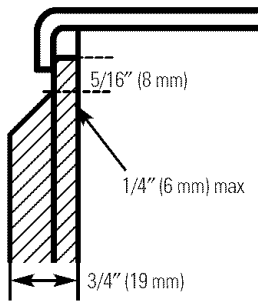
Panels thicker than 1/4" (6 mm), up to 3/4" (19 mm) max., will require that the outer 5/16" (8 mm) of panel perimeter be no thicker than 1/4" (6 mm).

*Weight limitations for custom panels:*

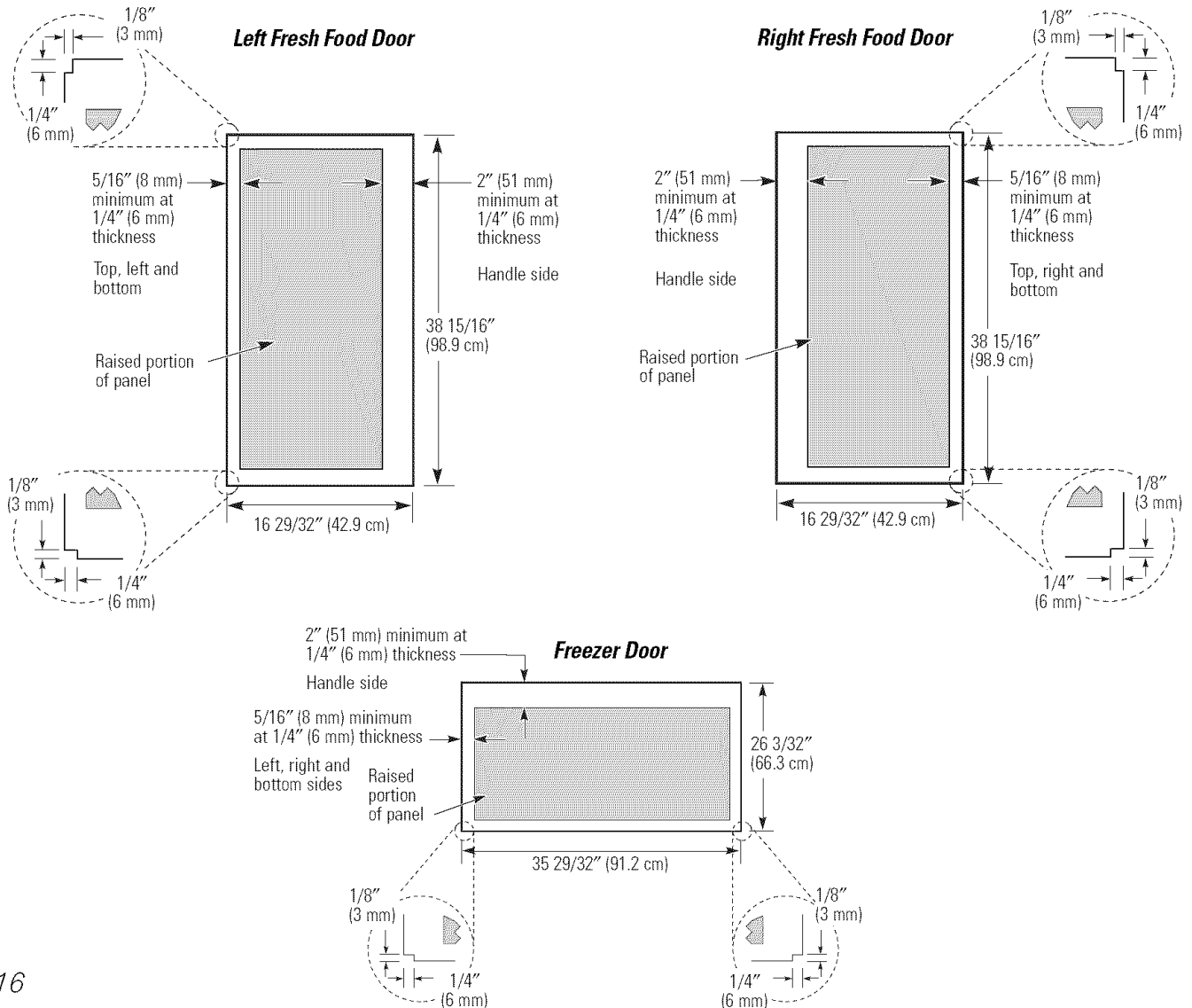
*Fresh Food 10 lbs. (4.5 kg) max. for each door*

*Freezer Door 18 lbs. (8 kg) max.*

Panels thicker than 1/4" (6 mm)



## Dimensions for Custom Wood Panels



# Installation Instructions

# Refrigerator

Models 21 and 25

Questions? Call 800.GE.CARES (800.432.2737) or Visit our Website at: [ge.com](http://ge.com)  
In Canada, call 1.800.561.3344 or Visit our Website at: [www.geappliances.ca](http://www.geappliances.ca)

## BEFORE YOU BEGIN

Read these instructions completely and carefully.

- **IMPORTANT** — Save these instructions for local inspector's use.
- **IMPORTANT** — Observe all governing codes and ordinances.
- **Note to Installer** – Be sure to leave these instructions with the Consumer.
- **Note to Consumer** – Keep these instructions for future reference.
- **Skill level** – Installation of this appliance requires basic mechanical skills.
- **Completion time** – Refrigerator Installation  
20 minutes  
Water Line Installation  
30 minutes  
Anti-Tip Bracket Installation  
20 minutes
- Proper installation is the responsibility of the installer.
- Product failure due to improper installation is not covered under the Warranty.

## PREPARATION

### MOVING THE REFRIGERATOR INDOORS

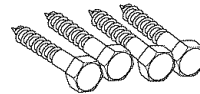
If the refrigerator will not fit through a doorway, the refrigerator door and freezer drawer can be removed.

- To remove the refrigerator door, see Step 1 in the *Reversing the Door Swing* section.
- To remove the freezer drawer, see the *Removing the Freezer Drawer* section.

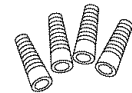
### WATER SUPPLY TO THE ICEMAKER AND DISPENSER (ON SOME MODELS)

If the refrigerator has an icemaker, it will have to be connected to a cold water line. A GE water supply kit (containing tubing, shutoff valve, fittings and instructions) is available at extra cost from your dealer, by visiting our Website at [ge.com](http://ge.com) (in Canada at [www.geappliances.ca](http://www.geappliances.ca)) or from Parts and Accessories, 800.626.2002 (In Canada 1.888.261.3055).

## MATERIALS YOU MAY NEED (not included)



Lag Bolts



Anchor Sleeves

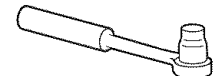
Drill Bit Appropriate for Anchors

For Anti-Tip Bracket Mounted on CONCRETE Floors Only

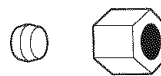
## TOOLS YOU MAY NEED



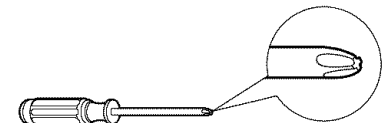
Adjustable Wrench



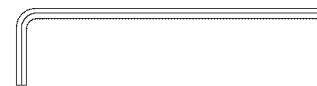
3/8" and 5/16" Socket Ratchet/Driver



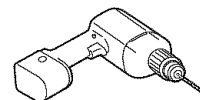
1/4" Outer Diameter Compression Nut and Ferrule (sleeve) (icemaker models only)



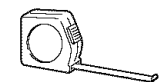
Phillips Head Screwdriver



3/32", 1/8" and 1/4" Allen wrenches



1/8" Drill Bit and Electric or Hand Drill



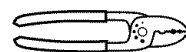
Tape measure



Pencil



1/4" Nut Driver



Wire Cutters

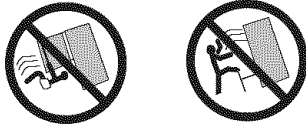


Level

# Installation Instructions

## INSTALLING THE ANTI-TIP FLOOR BRACKET (on 21 ft. models)

### ⚠ WARNING



Under certain circumstances, this refrigerator can tip forward.

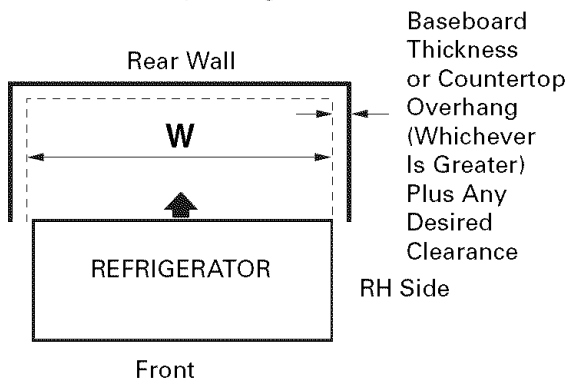
Injury to persons can result.

Install Anti-Tip Bracket packed with this refrigerator.

### 1 MEASURE CABINET OPENING AVAILABLE VS. REFRIGERATOR WIDTH

Measure width of cabinet opening where refrigerator will be placed,  $W$ .

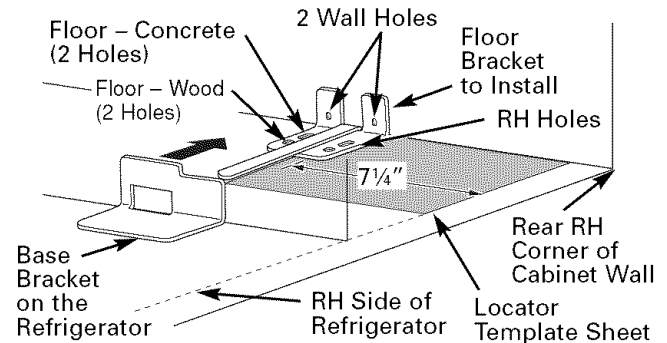
Be sure to account for any countertop overhang, baseboard thickness and any clearance desired. Width,  $W$ , should not be less than 36 inches. The refrigerator will be placed approximately in the middle of this opening.



### 2 LOCATING THE ANTI-TIP FLOOR BRACKET

- A Place the anti-tip floor bracket locator template (included inside the anti-tip kit) onto the floor up against the rear wall, within  $W$ , and in line with the desired location of the RH side of the refrigerator (see Figure 1).

Figure 1 – Installation Overview



- B Place the anti-tip floor bracket onto the locator template with its RH floor holes lined up with the floor holes indicated on the template sheet, approximately  $7\frac{1}{4}$ " from the edge of the sheet or the RH side of the refrigerator.
- C Hold down in position and use the anti-tip floor bracket as a template for marking the holes based upon your configuration and type of construction as shown in Step 3. Mark the hole locations with a pencil, nail or awl.

#### NOTE:

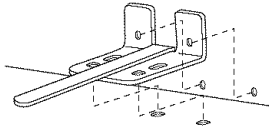
- It is REQUIRED to use at least 2 screws to mount the floor bracket (one on each side of the anti-tip floor bracket). Both must be into either the wall or the floor. Figure 2 indicates all the acceptable mounting configurations for screws. Identify the screw holes on the anti-tip floor bracket for your configuration.

# Installation Instructions

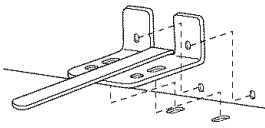
## 2 LOCATING THE ANTI-TIP FLOOR BRACKET (cont.)

Figure 2 – Acceptable Screw Placement Locations

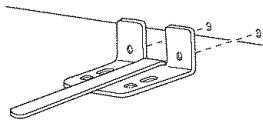
Preferred Installation – Wood



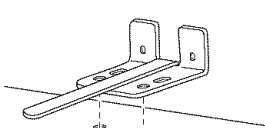
Preferred Installation – Concrete



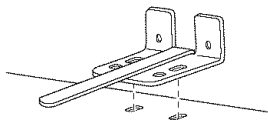
Minimum Acceptable #1 – Wall Plate Stud



Minimum Acceptable #2 – Wood Floor



Minimum Acceptable #3 – Concrete Floor

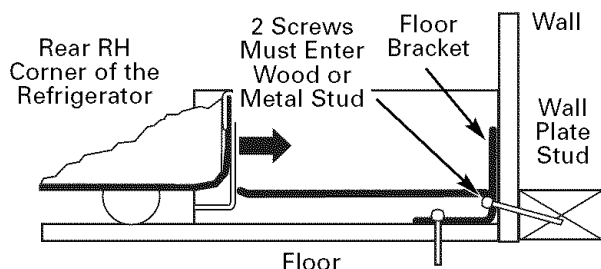


## 3 ANTI-TIP BRACKET INSTALLATION

### A WOOD Wall and Floor Construction:

- Drill the appropriate number of 1/8" pilot holes in the center of each floor bracket hole being used (a nail or awl may be used if a drill is not available) AND remove the locator template from the floor.
- Mount the anti-tip floor bracket by fastening the 2, or preferably 4, #10-16 hex-head screws tightly into place as illustrated in Figure 3.

Figure 3 – Attachment to Wall and Floor



### B CONCRETE Wall and Floor Construction:

- Anchors required (not provided):  
4 each 1/4" x 1 1/2" lag bolts  
4 each 1/2" O.D. sleeve anchors
- Drill the recommended size holes for the anchors into the concrete at the center of the holes marked in Step 2.
- Install the sleeve anchors into the drilled holes. Place the anti-tip floor bracket as indicated in Step 2. Remove the locator template from the floor.
- Install the lag bolts through the anti-tip floor bracket and tighten appropriately.

### C WOOD Wall and TILE Floor Construction:

- For this special case, locate the 2 wall holes identified in Fig. 1. Drill an angled 1/8" pilot hole (approx. as shown in Fig. 3) in the center of each hole.
- Mount the anti-tip floor bracket using the Minimum Acceptable Installation #1, as illustrated in Fig. 2.

## 4 POSITIONING THE REFRIGERATOR TO ENGAGE THE ANTI-TIP FLOOR AND BASE BRACKETS

- ### A
- Before pushing the refrigerator into the opening, plug the power cord into the receptacle and connect waterline (if equipped). Check for leaks.
- ### B
- Locate the refrigerator's RH side and move back approximately in line with the RH side of the cabinet opening, W. This should position the anti-tip floor bracket to engage the anti-tip base bracket on the refrigerator.
- ### C
- Gently roll the refrigerator back into the cabinet opening until it comes to a complete stop. Check to see if the refrigerator front lines up with the cabinet front face. If not, carefully rock the refrigerator forward and backward until engagement occurs and you notice that the refrigerator is fully pushed up against the rear wall.
- ### D
- OPTIONAL: Adjust the rear (and front) wheel height settings to fully engage the rear anti-tip brackets, while also aligning the refrigerator front with the cabinet front face.

### NOTE:

If you pull the refrigerator out and away from the wall for any reason, make sure the anti-tip floor bracket is engaged when the refrigerator is pushed back against the rear wall.

# Installation Instructions

## INSTALLING THE REFRIGERATOR

### REFRIGERATOR LOCATION

- Do not install the refrigerator where the temperature will go below 60°F (16°C) because it will not run often enough to maintain proper temperatures.
- Do not install the refrigerator where the temperature will go above 100°F (37°C) because it will not perform properly.
- Install it on a floor strong enough to support it fully loaded.

### CLEARANCES

Allow the following clearances for ease of installation, proper air circulation and plumbing and electrical connections.

|              | Standard Depth Models | Counter Depth Models |
|--------------|-----------------------|----------------------|
| <b>Sides</b> | 1/8" (3 mm)           | 1/8" (3 mm)          |
| <b>Top</b>   | 1" (25 mm)            | 1" (25 mm)           |
| <b>Back</b>  | 1" (25 mm)            | 1/2" (13 mm)         |

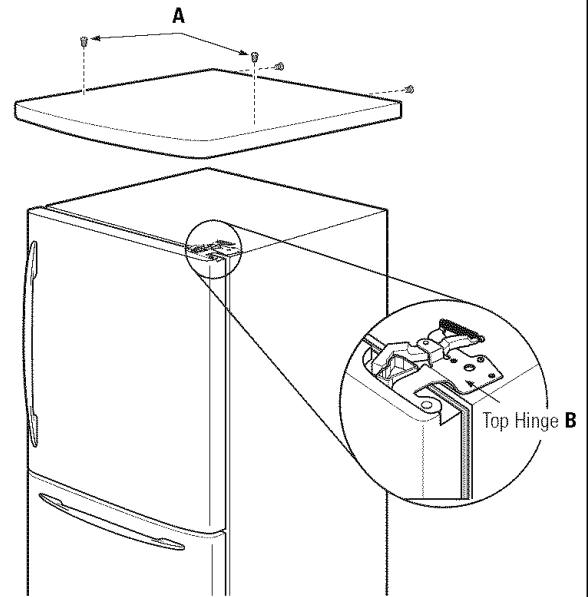
### REMOVE TOP CAP (on some models)

- **IMPORTANT NOTE:** This refrigerator is 34-1/2" deep. Doors and passageways leading to the installation location must be at least 36" wide in order to leave the doors and handles attached to the refrigerator while transporting it into the installation location. If passageways are less than 36", the refrigerator doors and handles can easily be scratched and damaged. The top cap and doors can be removed to allow the refrigerator to be safely moved indoors. Start with Step A.
  - If it is not necessary to remove doors, skip Step A. Leave tape and all packaging on doors until the refrigerator is in the final location.
  - **SKID REMOVAL:** Tilt refrigerator to each side to remove skid.
  - **NOTE:** Use a padded hand truck to move this refrigerator. Place the refrigerator on the hand truck with a side against the truck. We strongly recommend that **TWO PEOPLE** move and complete this installation.
- A** Locate and remove the two Phillips head screws on the top of the refrigerator. Remove the two screws on each side at the rear of the top cap. Lift off and remove top cap.
- B** Remove the fresh-food door. Refer to Steps 1 through 3 of "Reversing the Door Swing" section.
- C** Remove the bottom freezer drawer. Refer to "Removing Freezer Drawer" section.
- D** Move refrigerator to the installation location.

### REMOVE TOP CAP (cont.) (on some models)

#### REINSTALL DOORS, DRAWERS AND TOP CAP

- E** Carefully lower the door onto the center hinge. Reinstall top hinge. **NOTE:** Ensure the door is properly aligned to the case top to avoid readjustment of the door during top cap reinstallation.
- F** Place cap over the top of the refrigerator. Reinstall the original screws in the top and back of the cap.
- G** Reinstall the bottom freezer drawer. Refer to "Replacing the Freezer Drawer" section.



### 1 CONNECTING THE REFRIGERATOR TO THE HOUSE WATER LINE (icemaker and dispenser models)

A cold water supply is required for automatic icemaker operation. If there is not a cold water supply, you will need to provide one. See *Installing the Water Line* section.

#### NOTES:

- Before making the connection to the refrigerator, be sure the refrigerator power cord is not plugged into the wall outlet.
- If your refrigerator does not have a water filter, we recommend installing one if your water supply has sand or particles that could clog the screen of the refrigerator's water valve. Install it in the water line near the refrigerator. If using GE SmartConnect™ Refrigerator Tubing Kit, you will need an additional tube (WX08X10002) to connect the filter. Do not cut plastic tube to install filter.



# Installation Instructions

## 1 CONNECTING THE REFRIGERATOR TO THE HOUSE WATER LINE (cont.)

**A** If you are using copper tubing, place a compression nut and ferrule (sleeve) onto the end of the tubing coming from the house cold water supply.

If you are using the GE SmartConnect™ tubing, the nuts are already assembled to the tubing.

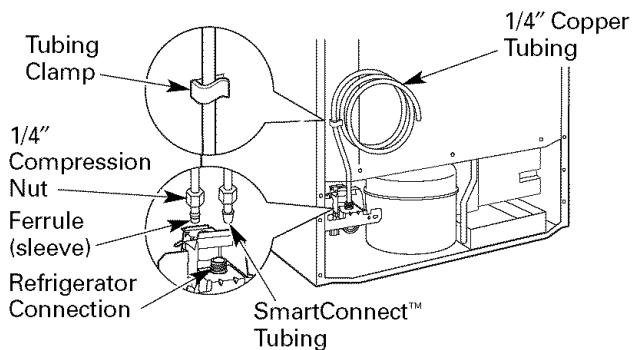
**B** If you are using copper tubing, insert the end of the tubing into the refrigerator connection, at the back of the refrigerator, as far as possible. While holding the tubing, tighten the fitting.

If you are using GE SmartConnect™ tubing, insert the molded end of the tubing into the refrigerator connection, at the back of the refrigerator, and tighten the compression nut until it is hand tight. Then tighten one additional turn with a wrench. Overtightening may cause leaks.

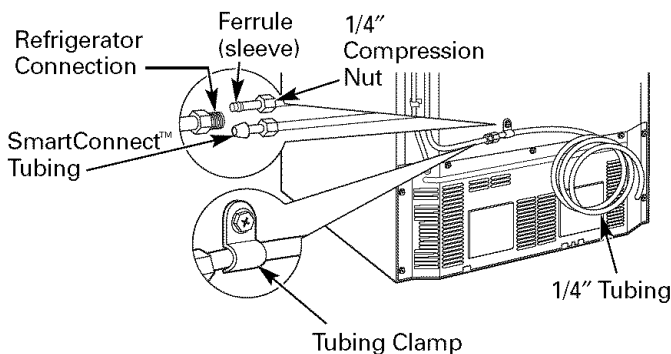
**C** Fasten the tubing into the clamp provided to hold it in position. You may need to pry open the clamp.

One of the illustrations below will look like the connection on your refrigerator.

### Icemaker-Ready models

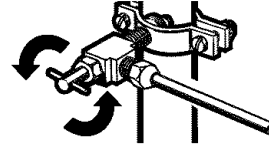


### Icemaker-Installed Models



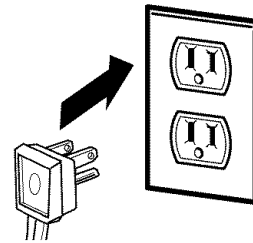
## 2 TURN ON THE WATER SUPPLY (icemaker and dispenser models)

Turn the water on at the shutoff valve (house water supply) and check for any leaks.



## 3 PLUG IN THE REFRIGERATOR

On models with an icemaker, before plugging in the refrigerator, make sure the icemaker power switch is set to the **O (off)** position.



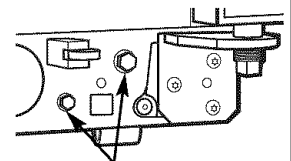
See the grounding information attached to the power cord.

## 4 PUT THE REFRIGERATOR IN PLACE

Move the refrigerator to its final location. Make sure the back side of the refrigerator engages the anti-tip bracket properly. The anti-tip floor bracket should line up with the cutout in the back bottom of the refrigerator, and fit through the cutout when the refrigerator is pushed into position. (Refer to page 18, Step 2A for more information.)

## 5 LEVEL THE REFRIGERATOR

Turn the front roller adjusting screws **clockwise to raise** the refrigerator, **counterclockwise to lower** it. Use a 3/8" hex wrench with extension, or an adjustable wrench.



Roller adjusting screws

### To adjust the rollers on 21' Counter Depth models:

These models also have rear adjustable rollers so you can align the refrigerator with your kitchen cabinets. Use a 3/8" hex wrench with extension to turn the screws for the rear rollers—**clockwise to raise** the refrigerator, **counterclockwise to lower** it.

# Installation Instructions

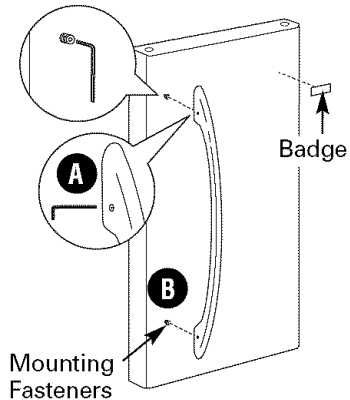
## INSTALLING THE REFRIGERATOR (cont.)

### 6 REMOVE THE FRESH FOOD DOOR HANDLE

(For placement in the installation location or reversal of the handles – on some models)

**Stainless steel (on some models):**

- A** REMOVING THE DOOR HANDLE: Loosen the set screws with the 3/32" Allen wrench and remove the handle. **NOTE:** For Double Door models follow the same procedure on the opposite door.



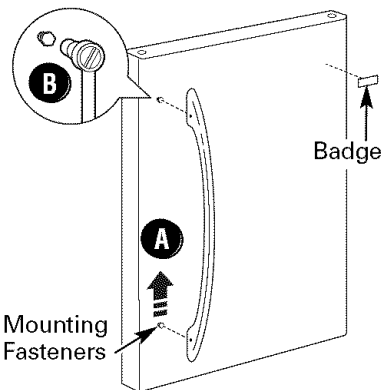
(appearance may vary)

**Plastic handle (on some models):**

- A** REMOVING THE DOOR HANDLE: Depress the tab on the underside of the handle and slide the handle up and off of the mounting fasteners.

- B** REVERSING THE DOOR HANDLE (on some models):

- Remove the handle mounting fasteners with a 1/4" Allen wrench and transfer the handle mounting fasteners to the right side.



(appearance may vary)

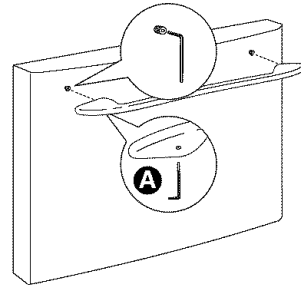
- Remove the logo badge.
- Remove and transfer the plug button to the left side of the fresh food door. **NOTE:** Use a flat plastic edge to prevent damaging the door. Remove any adhesive on the door with a mild detergent. Remove the paper covering on the adhesive backing on the logo badge prior to carefully attaching the badge to the door.

### 7 REMOVE THE FREEZER DOOR HANDLE

**Stainless steel and plastic handles:**

- A** Loosen the set screws located on the underside of the handle with a 1/8" or 3/32" Allen wrench and remove the handle.

**NOTE:** If the handle mounting fasteners need to be tightened or removed, use a 1/4" Allen wrench.



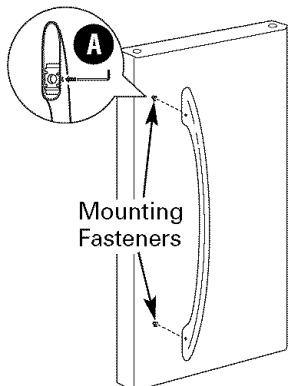
# Installation Instructions

## 8 ATTACH THE FRESH FOOD DOOR HANDLE

### Stainless steel handle:

- A Attach the handle to the handle mounting fasteners and tighten the set screws with a 3/32" Allen wrench.

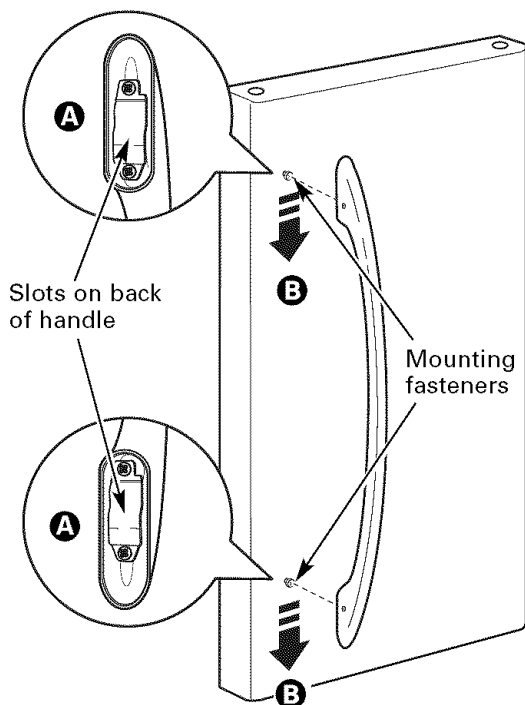
**NOTE:** For Double Door models follow the same procedure on the opposite door.



(appearance may vary)

### Plastic handle:

- A Attach the handle to the handle mounting fasteners by aligning the slots with the handle mounting fasteners.
- B Slide it down until it is firmly locked into position.

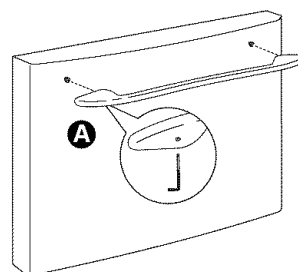


(appearance may vary)

## 9 ATTACH THE FREEZER DOOR HANDLE

### Stainless steel and plastic handles:

- A Attach the handle firmly to the mounting fasteners and tighten the set screws on the bottom of the handle with a 1/8" or 3/32" Allen wrench.



(appearance may vary)

# Installation Instructions

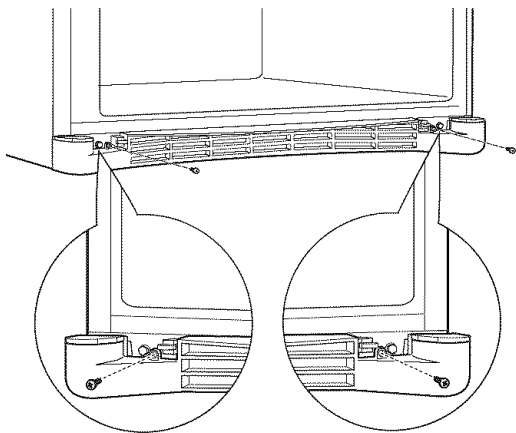
## INSTALLING THE REFRIGERATOR (cont.)

### 10 LEVEL THE REFRIGERATOR

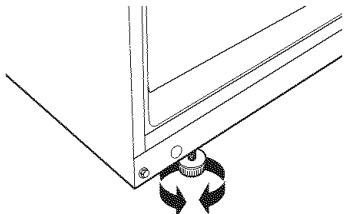
The leveling legs have 2 purposes:

- 1) Leveling legs adjust so the refrigerator is firmly positioned on the floor and does not wobble.
- 2) Leveling legs serve as a stabilizing brake to hold the refrigerator securely in position during operation and cleaning. The leveling legs also prevent the refrigerator from tipping.

- A** Remove the grille by removing the two Phillips head screws.



- B** Turn the leveling legs **clockwise to raise** the refrigerator, **counterclockwise to lower** it.

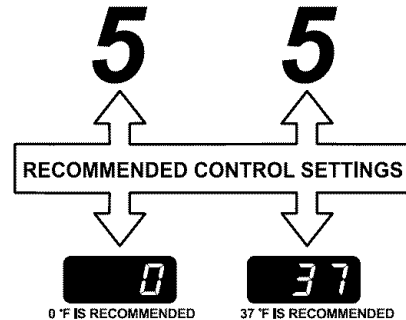


**CAUTION:** To avoid possible personal injury or property damage, the leveling legs must be firmly touching the floor.

- C** Replace the base grille by inserting the two Phillips head screws.

### 11 SET THE CONTROLS

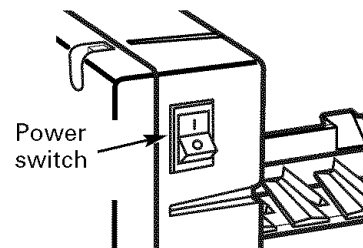
Set the controls to the recommended setting.



### 12 REMOVE PACKAGING START ICEMAKER (icemaker models)

- A) Remove all tape, foam and protective packing from shelves and drawers.
- B) Remove the tie downs from the freezer baskets.
- C) Place half width basket onto drawer slides. See About the freezer section for instructions.

Set the icemaker power switch to the **I (on)** position. The icemaker will not begin to operate until it reaches its operating temperature of 15°F (-9°C) or below. It will then begin operation automatically. It will take 2-3 days to fill the ice bin.



#### NOTE:

In lower water pressure conditions, the water valve may turn on up to 3 times to deliver enough water to the icemaker.

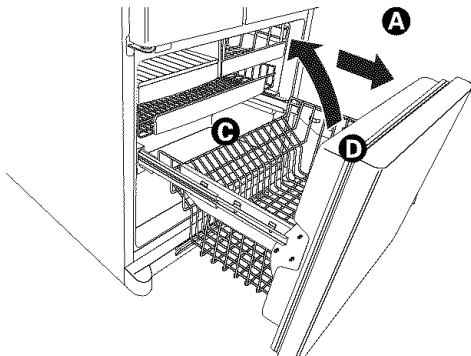
# Installation Instructions

## REMOVING THE FREEZER DRAWER (on some models)


The freezer drawer can be removed, if needed, to fit through tight areas.  
Read these instructions completely and carefully.

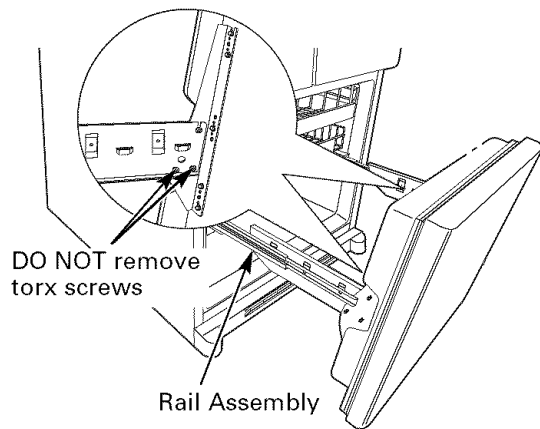
### 1 REMOVE THE BASKET

- A** Open the freezer drawer until it stops.
- B** Cut the 2 wire ties off of the basket with wire cutters.
- C** The freezer basket rests inside 4 tabs on the freezer slides. Lift the basket up and out of the 4 tabs.
- D** Tilt the front up and lift the entire basket up and out of the drawer.



### 2 REMOVE THE DRAWER FRONT FROM THE SLIDES

- A** Remove the 10 hex head screws from the door and remove the door.
  -  DO NOT remove the torx screws from the rail assemblies.

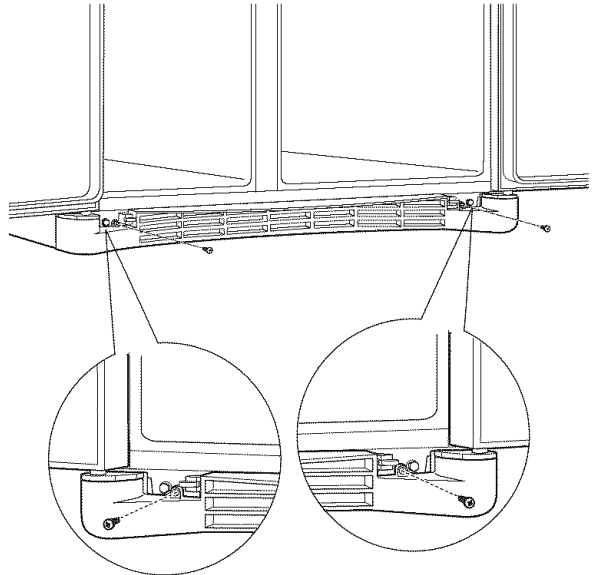


- B** Set the drawer front on a non-scratching surface.
- C** Push the rail assemblies back into the cabinet.

### 3 REMOVE THE BASE GRILLE (if needed)

If, after removing the freezer drawer and refrigerator door, the refrigerator will still not fit through a doorway, the base grille can be removed.

- A** Remove the base grille by removing the 2 Phillips head screws.



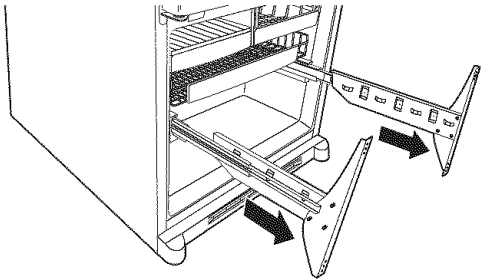
# Installation Instructions

## REPLACING THE FREEZER DRAWER (on some models)

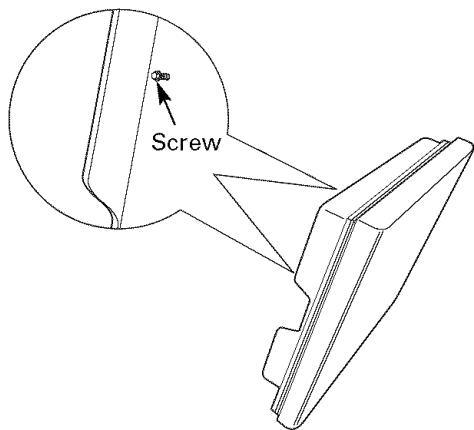
**I** Two people may be required to complete this procedure.

### 1 ATTACH AND SECURE THE DRAWER FRONT TO THE SLIDES

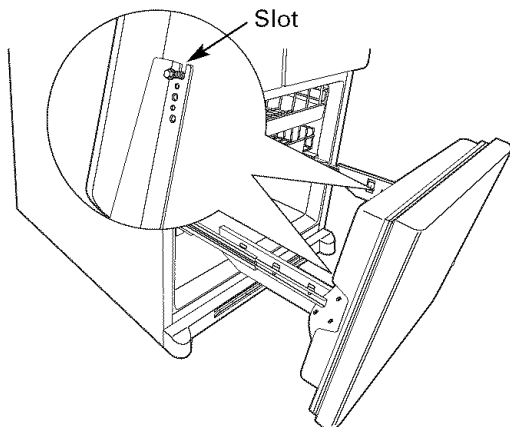
**A** Pull out the rail assemblies to the full length on each side of the cabinet.



**B** Drive the top screw into the door on each side until it is 1/2 way in.

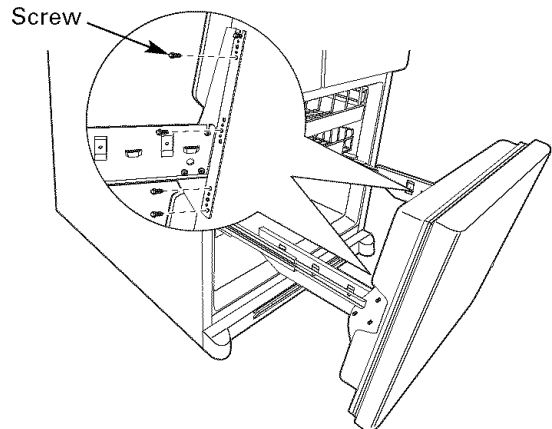


**C** Hang the drawer front onto open slots on the slides.



### 1 ATTACH AND SECURE THE DRAWER FRONT TO THE SLIDES (CONT.)

**D** Drive screws fully. (There are 10 screws.)



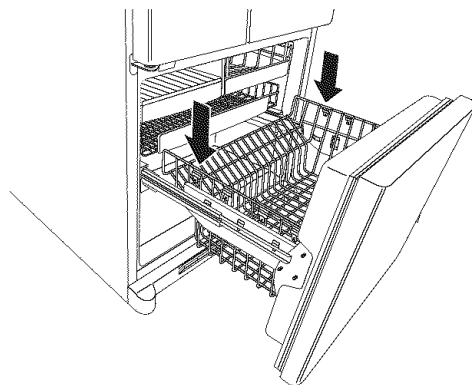
**Step D2:**  
Drive  
screws  
fully.

**Step D3:**  
Drive  
screws  
in these  
holes.

**Step D1:**  
Line up  
screw  
hole in  
freezer  
drawer  
and  
drive  
fully.

### 2 REPLACE THE FREEZER BASKET

Replace the lower freezer basket by lowering it into the frame.



# Installation Instructions

## REVERSING THE DOOR SWING (Single Door Refrigerator Models only)

### IMPORTANT NOTES

When reversing the door swing:

**NOTE:** Door swing is not reversible on stainless steel models.

- Read the instructions all the way through before starting.
- Parts are included in the door hinge kit.
- Handle parts carefully to avoid scratching paint.
- Set screws down by their related parts to avoid using them in the wrong places.
- Provide a non-scratching work surface for the doors.

**IMPORTANT:** Once you begin, do not move the cabinet until door-swing reversal is completed.

These instructions are for changing the hinges from the right side to the left side—if you ever want to change the hinges back to the right side, follow these same instructions and reverse all references to left and right.

- Once door swing is finalized, ensure the logo badge is properly aligned and permanently secured to the door by removing the adhesive cover on the back side.

**NOTE:** A replacement logo badge is included in the hinge kit.

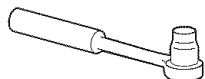
**Unplug the refrigerator from its electrical outlet.**

**Empty all door shelves, including the dairy compartment.**

### TOOLS YOU WILL NEED



Adjustable Wrench



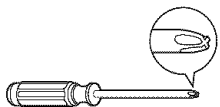
5/16" Socket Ratchet/Driver



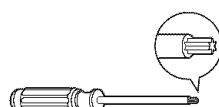
Masking Tape



Thin-blade Screwdriver



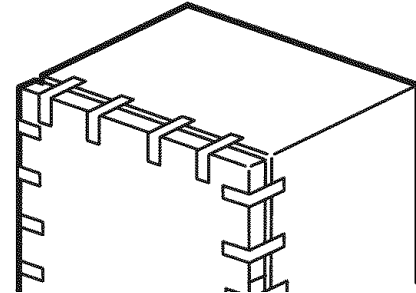
Phillips Screwdriver



Torx T-20 Driver

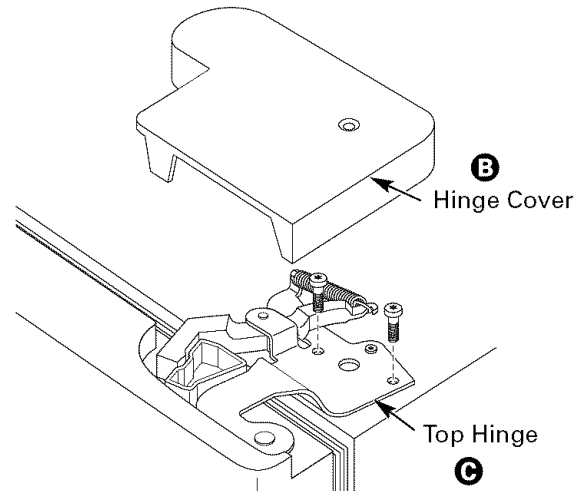
### 1 REMOVE THE REFRIGERATOR DOOR

- A** Tape the door shut with masking tape.

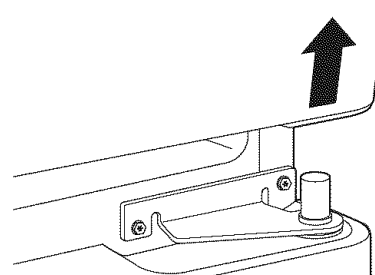


- B** Remove the hinge cover on top of the refrigerator door by removing the Phillips head screws and pulling it up.

- C** Using a 5/16" socket ratchet/driver, remove the bolts securing the top hinge to the cabinet. Then lift the hinge straight up to free the hinge pin from the socket in the top of the door.



- D** Remove the tape and tilt the door away from the cabinet. Lift the door off the center hinge pin. Ensure that the plastic hinge pin thimble remains on the hinge pin or inside door hinge pin hole located in the bottom of the door.



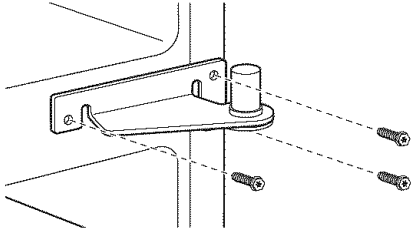
- E** Set the door on a non-scratching surface with the inside up.

# Installation Instructions

## REVERSING THE DOOR SWING (cont.)

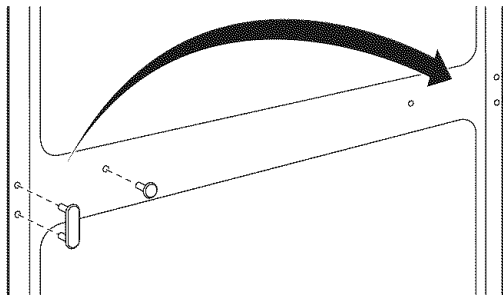
### 2 REMOVE CENTER HINGE

Using a 5/16" socket ratchet/driver, remove the bolts securing the center hinge to the cabinet. Set the hinge and bolts aside.

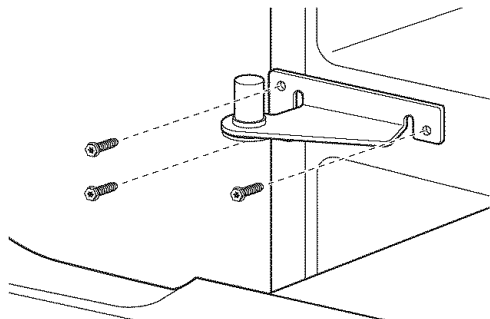


### 3 INSTALL CENTER HINGE

**A** Transfer the plug button and screw hole cover in the hinge holes on the left side to the right side.



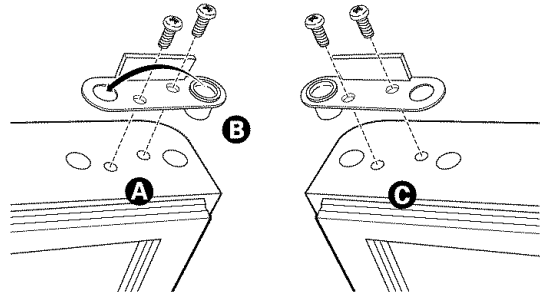
**B** Install the center hinge from the kit on the left side.



**NOTE:** A new hinge will be required for the left side (supplied in the door hinge kit).

### 4 TRANSFER REFRIGERATOR DOOR STOP

- A** Remove the door stop on right side of the bottom of the refrigerator door by removing the two screws.
- B** Move the plastic hinge hole thimble to the opposite hole.
- C** Install the door stop on the left side, making sure to line up the screw holes in the door stop with the holes in the bottom of the door.



Bottom of Refrigerator Door (Right Side)

Bottom of Refrigerator Door (Left Side)

### 5 TRANSFER REFRIGERATOR DOOR HANDLE TO RIGHT

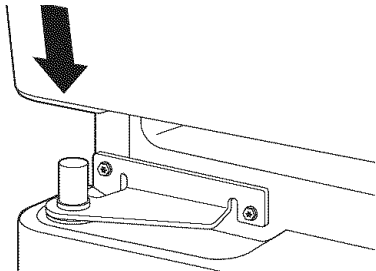
Refer to Remove the Fresh Food Door Handle and Attach the Fresh Food Door Handle sections for instructions.



# Installation Instructions

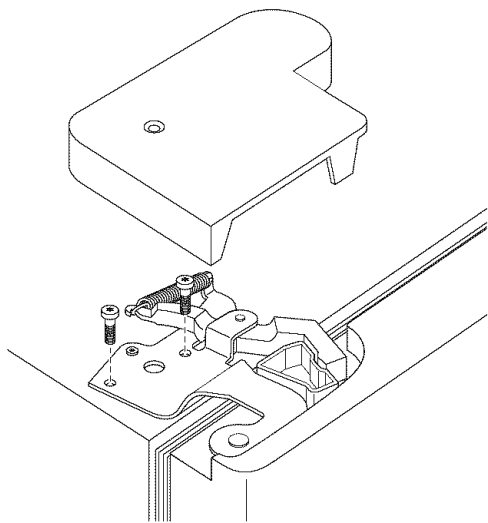
## 6 REHANG REFRIGERATOR DOOR

- A** Lower the refrigerator door onto the center hinge pin. Ensure that the plastic hinge pin thimble is on the center hinge pin or inside door hinge pin hole located in the bottom of the door.



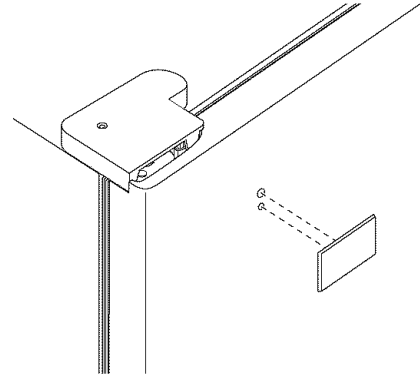
- B** Insert the top hinge pin into the hinge hole on top of the refrigerator door. Make sure the door is aligned with the cabinet. Attach the hinge to the top of the cabinet loosely with the bolts.

- C** Make sure the gasket on the door is flush against the cabinet and is not folded. Support the door on the handle side and make sure the door is straight and the gap between the doors is even across the front. While holding the door in place, tighten the top hinge bolts. Replace the hinge cover.



## 7 INSTALL THE LOGO BADGE

- Remove the adhesive backing paper and align the pins on the back of the badge with the holes in the door. Apply pressure to the badge to ensure it sticks to the door.



# Installation Instructions

## REMOVING THE DOORS (Double Door Refrigerator Models only)

### IMPORTANT NOTES

**NOTE:** Door swing is not reversible.

- Read the instructions all the way through before starting.
- Handle parts carefully to avoid scratching paint.
- Set screws down by their related parts to avoid using them in the wrong places.
- Provide a non-scratching work surface for the doors.

**IMPORTANT:** Once you begin, do not move the cabinet.

These instructions are for removing the doors.

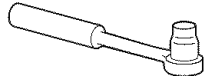
**Unplug the refrigerator from its electrical outlet.**

**Empty all door shelves, including the dairy compartment.**

### TOOLS YOU WILL NEED



Adjustable Wrench



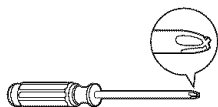
3/8" and 10 mm Socket Ratchet/Driver



Masking Tape



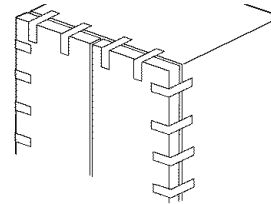
Thin-blade Screwdriver



Phillips Screwdriver

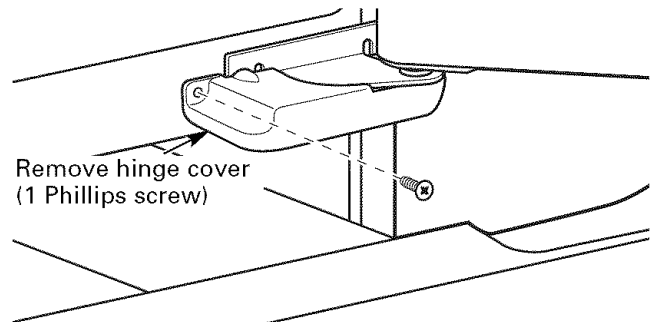
### 1 REMOVE THE REFRIGERATOR DOORS

**A** Tape the doors shut with masking tape.



(for water dispenser models)

**B** Start with right-hand door first: Remove the screw securing the center hinge cover, lift the hinge cover and place to the side on top of the refrigerator.



Remove hinge cover  
(1 Phillips screw)

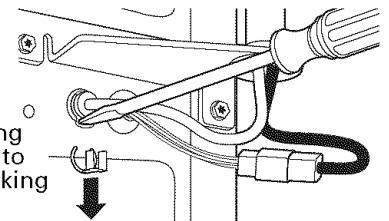
(for water dispenser models)

**C** Remove water coupling and power coupling.

**C1**

#### Water Coupling

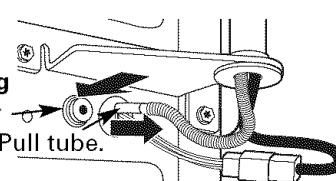
Remove the metal spring clip. Use a screwdriver to push the red plastic locking clip down and off.



**C2**

#### Water Coupling

Push red collar and hold. Pull tube.

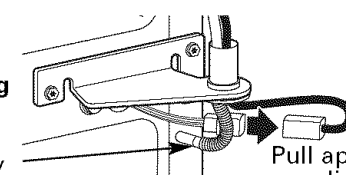


**C3**

#### Power Coupling

Black mark flush with collar assembly

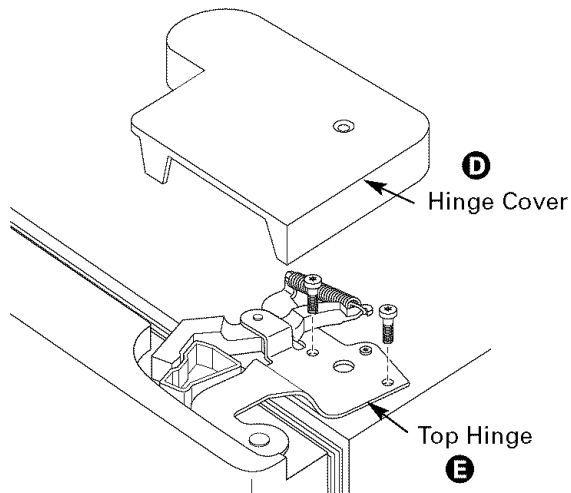
Pull apart power coupling to disconnect



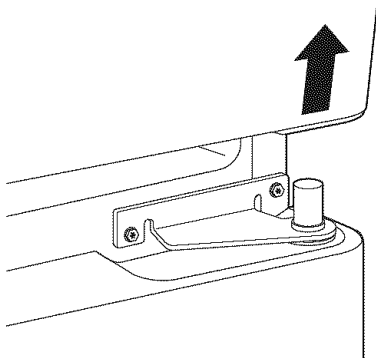
# Installation Instructions

## 1 REMOVE THE REFRIGERATOR DOORS (cont.)

- D** Remove the hinge cover on top of the refrigerator door by removing the Phillips head screws and pulling it up.
- E** Using a 5/16" socket ratchet/driver, remove the bolts securing the top hinge to the cabinet. Then lift the hinge straight up to free the hinge pin from the socket in the top of the door.



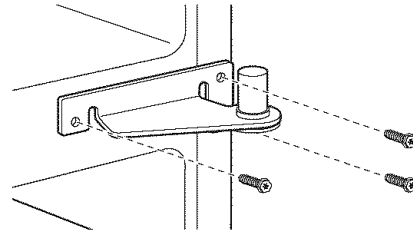
- F** Remove the tape and tilt the door away from the cabinet. Lift the door off the center hinge pin. Ensure that the plastic hinge pin thimble remains on the hinge pin or inside door hinge pin hole located in the bottom of the door.



- G** Set the door on a non-scratching surface with the inside up.

## 2 REMOVE CENTER HINGE

Using a 5/16" socket ratchet/driver, remove the bolts securing the center hinge to the cabinet. Set the hinge and bolts aside.



## 3 REMOVE OPPOSITE DOOR

Follow the same procedure on the opposite door. There are no wires, water lines or center hinge covers on the opposite side.

## 4 REMOVE FREEZER DRAWER

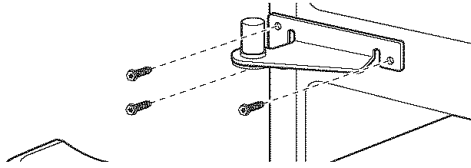
Refer to the Removing the Freezer Drawer section for instructions.

# Installation Instructions

## REPLACING THE DOORS (Double Door Refrigerator Models only)

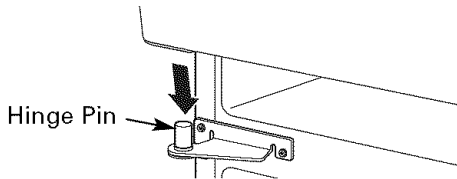
### 1 INSTALL CENTER HINGE

Install the center hinge on each side.



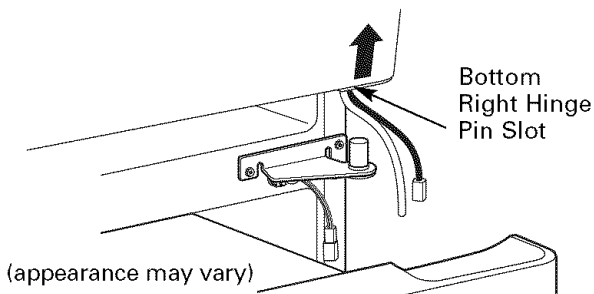
### 2 REHANG REFRIGERATOR DOORS

**A** Lower the refrigerator door onto the center hinge pin. Ensure that the plastic hinge pin thimble is on the center hinge pin or inside door hinge pin hole located in the bottom of the door.

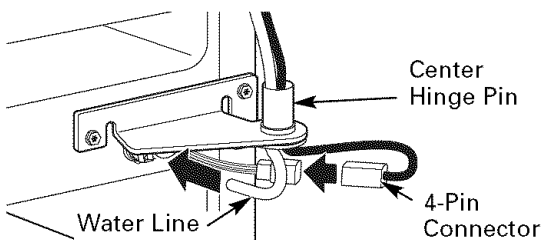


**B** Securely tape the door shut with masking tape or have a second person support the door.

**C** Route wires through bottom right hinge pin slot. Insert the top hinge pin into the hinge hole on top of the refrigerator door. Make sure the door is aligned with the cabinet and opposite door. Attach the hinge to the top of the cabinet loosely with the bolts.

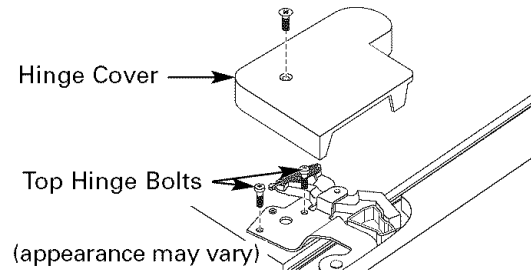


**D** On right-hand doors, pass the wires and water line through the center hinge pin. Then connect the water line and 4-pin connector.



### 2 REHANG REFRIGERATOR DOORS (CONT.)

**E** Make sure the gasket on the door is flush against the cabinet and is not folded. Make sure the door is straight and the gap between the doors is even across the front. While holding the aligned door in place, tighten the top hinge bolts. Replace the hinge cover and screw.

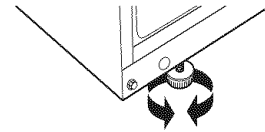


### 3 REPLACE OPPOSITE DOOR

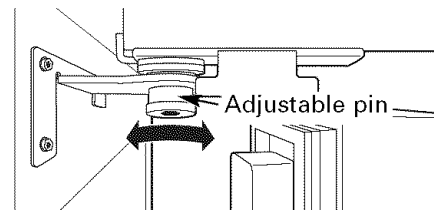
Follow the same procedure on the opposite door. There is no water line or hinge cover.

### 4 ALIGN DOUBLE DOORS

If the top of the doors are uneven, first try to raise the lowest door by turning the leveling leg on the same side as the door until the doors are even. If the unit rocks, re-adjust the leveling legs to the extent that the unit is stable.



If the doors remain uneven, turn the adjustable pin to raise, or lower, the left door to match the right door. Use a 1/4" Allen wrench to turn the pin.



### 5 REPLACE FREEZER DRAWER

Refer to the Replacing the Freezer Drawer section for instructions.

# Installation Instructions

## INSTALLING THE WATER LINE (ICEMAKER MODELS)

### BEFORE YOU BEGIN

Recommended copper water supply kits are WX8X2, WX8X3 or WX8X4, depending on the amount of tubing you need. Approved plastic water supply lines are GE SmartConnect™ Refrigerator Tubing (WX08X10006, WX08X10015 and WX08X10025).

When connecting your refrigerator to a GE Reverse Osmosis Water System, the only approved installation is with a GE RVKit. For other reverse osmosis water systems, follow the manufacturer's recommendations.

If the water supply to the refrigerator is from a Reverse Osmosis Water Filtration System AND the refrigerator also has a water filter, use the refrigerator's filter bypass plug. Using the refrigerator's water filtration cartridge in conjunction with the RO filter can result in hollow ice cubes.

This water line installation is not warranted by the refrigerator or icemaker manufacturer. Follow these instructions carefully to minimize the risk of expensive water damage.

Water hammer (water banging in the pipes) in house plumbing can cause damage to refrigerator parts and lead to water leakage or flooding. Call a qualified plumber to correct water hammer before installing the water supply line to the refrigerator.

To prevent burns and product damage, do not hook up the water line to the hot water line.

If you use your refrigerator before connecting the water line, make sure the icemaker power switch is in the **O (off)** position.

Do not install the icemaker tubing in areas where temperatures fall below freezing.

When using any electrical device (such as a power drill) during installation, be sure the device is double insulated or grounded in a manner to prevent the hazard of electric shock, or is battery powered.

All installations must be in accordance with local plumbing code requirements.

### WHAT YOU WILL NEED



- **Copper or GE SmartConnect™ Refrigerator Tubing kit**, 1/4" outer diameter to connect the refrigerator to the water supply. If using copper, be sure both ends of the tubing are cut square.

To determine how much tubing you need: measure the distance from the water valve on the back of the refrigerator to the water supply pipe. Be sure there is sufficient extra tubing to allow the refrigerator to move out from the wall after installation.

GE SmartConnect™ Refrigerator Tubing Kits are available in the following lengths:

- 6' (1.8 m) – WX08X10006
- 15' (4.6 m) – WX08X10015
- 25' (7.6 m) – WX08X10025

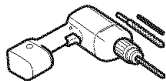
# Installation Instructions

## INSTALLING THE WATER LINE (CONT.)

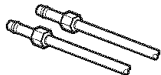
### WHAT YOU WILL NEED (CONT.)

**NOTE:** The only GE approved plastic tubing is that supplied in GE SmartConnect™ Refrigerator Tubing kits. Do not use any other plastic water supply line because the line is under pressure at all times. Certain types of plastic will crack or rupture with age and cause water damage to your home.

- **A GE water supply kit** (containing tubing, shutoff valve and fittings listed below) is available at extra cost from your dealer or from Parts and Accessories, 800.626.2002 (in Canada 1.888.261.3055).
- **A cold water supply.** The water pressure must be between 20 and 120 p.s.i. (1.4–8.1 bar).



- **Power drill.**
- **1/2" or adjustable wrench.**
- **Straight and Phillips blade screwdriver.**



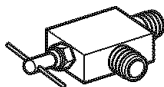
- **Two 1/4" outer diameter compression nuts and 2 ferrules (sleeves)**—to connect the copper tubing to the shutoff valve and the refrigerator water valve.

#### OR

- If you are using a GE SmartConnect™ Refrigerator Tubing kit, the necessary fittings are preassembled to the tubing.



- If your existing copper water line has a flared fitting at the end, you will need an **adapter** (available at plumbing supply stores) to connect the water line to the refrigerator **OR** you can cut off the flared fitting with a **tube cutter** and then use a compression fitting. Do not cut formed end from GE SmartConnect™ Refrigerator tubing.



- **Shutoff valve** to connect to the cold water line. The shutoff valve should have a water inlet with a minimum inside diameter of 5/32" at the point of connection to the **COLD WATER LINE**. Saddle-type shutoff valves are included in many water supply kits. Before purchasing, make sure a saddle-type valve complies with your local plumbing codes.

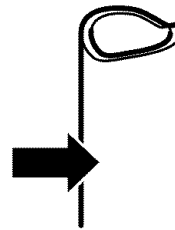
Install the shutoff valve on the nearest frequently used drinking water line.

### 1 SHUT OFF THE MAIN WATER SUPPLY

Turn on the nearest faucet long enough to clear the line of water.

### 2 CHOOSE THE VALVE LOCATION

Choose a location for the valve that is easily accessible. It is best to connect into the side of a vertical water pipe. When it is necessary to connect into a horizontal water pipe, make the connection to the top or side, rather than at the bottom, to avoid drawing off any sediment from the water pipe.

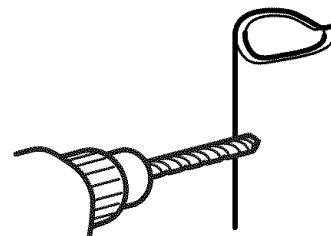


### 3 DRILL THE HOLE FOR THE VALVE

Drill a 1/4" hole in the water pipe (even if using a self-piercing valve), using a sharp bit. Remove any burrs resulting from drilling the hole in the pipe.

**Take care not to allow water to drain into the drill.**

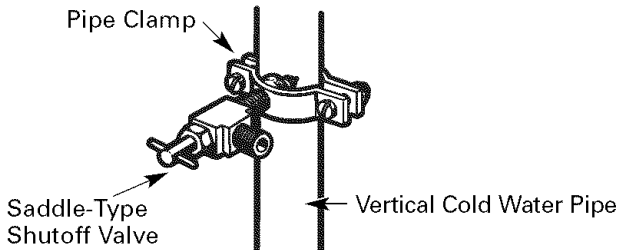
Failure to drill a 1/4" hole may result in reduced ice production or smaller cubes.



# Installation Instructions

## 4 FASTEN THE SHUTOFF VALVE

Fasten the shutoff valve to the cold water pipe with the pipe clamp.

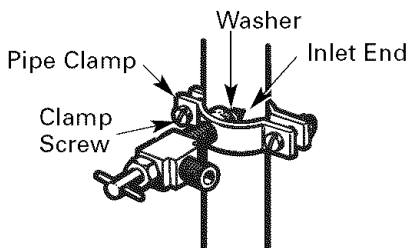


**NOTE:** Commonwealth of Massachusetts Plumbing Codes 248CMR shall be adhered to. Saddle valves are illegal and use is not permitted in Massachusetts. Consult with your licensed plumber.

## 5 TIGHTEN THE PIPE CLAMP

Tighten the clamp screws until the sealing washer begins to swell.

**NOTE:** Do not overtighten or you may crush the tubing.



## 6 ROUTE THE TUBING

Route the tubing between the cold water line and the refrigerator.

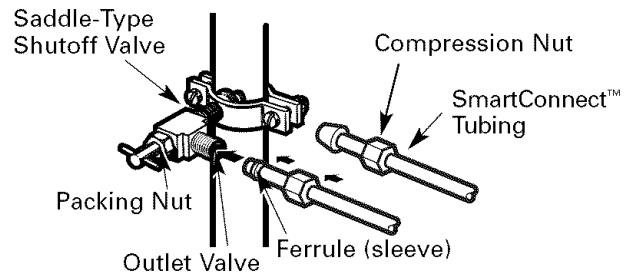
Route the tubing through a hole drilled in the wall or floor (behind the refrigerator or adjacent base cabinet) as close to the wall as possible.

## 7 CONNECT THE TUBING TO THE VALVE

Place the compression nut and ferrule (sleeve) for copper tubing onto the end of the tubing and connect it to the shutoff valve.

Make sure the tubing is fully inserted into the valve. Tighten the compression nut securely.

For plastic tubing from a GE SmartConnect™ Refrigerator Tubing kit, insert the molded end of the tubing into the shutoff valve and tighten compression nut until it is hand tight, then tighten one additional turn with a wrench. Overtightening may cause leaks.

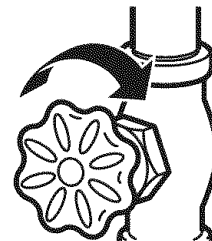


**NOTE:** Commonwealth of Massachusetts Plumbing Codes 248CMR shall be adhered to. Saddle valves are illegal and use is not permitted in Massachusetts. Consult with your licensed plumber.

## 8 FLUSH OUT THE TUBING

Turn the main water supply on and flush out the tubing until the water is clear.

Shut the water off at the water valve after about one quart (1 liter) of water has been flushed through the tubing.



To complete the installation of the refrigerator, go back to Step 1 in *Installing the Refrigerator*.

## Normal operating sounds.



Newer refrigerators sound different from older refrigerators.  
Modern refrigerators have more features and use newer technology.

**Do you hear what I hear? These sounds are normal.**

**HUMMM...  
WHOOSH...**

- The new high efficiency compressor may run faster and longer than your old refrigerator and you may hear a high-pitched hum or pulsating sound while it is operating.
- You may hear a whooshing sound when the doors close. This is due to pressure equalizing within the refrigerator.



- You may hear the fans spinning at high speeds. This happens when the refrigerator is first plugged in, when the doors are opened frequently or when a large amount of food is added to the refrigerator or freezer compartments. The fans are helping to maintain the correct temperatures.
- The fans change speeds in order to provide optimal cooling and energy savings.

### CLICKS, POPS, CRACKS and SNAPS

- You may hear cracking or popping sounds when the refrigerator is first plugged in. This happens as the refrigerator cools to the correct temperature.
- The freezer control will click when starting or stopping the compressor.
- Defrost timer snapping in and out of the defrost cycle.
- Expansion and contraction of cooling coils during and after defrost can cause a cracking or popping sound.
- On models with an icemaker, after an icemaking cycle, you may hear the ice cubes dropping into the ice bucket.
- On models with a dispenser, during water dispense, you may hear the water lines move at initial dispense and after dispenser button is released.

### WATER SOUNDS



- The flow of refrigerant through the freezer cooling coils may make a gurgling noise like boiling water.
- Water dropping on the defrost heater can cause a sizzling, popping or buzzing sound during the defrost cycle.
- A water dripping noise may occur during the defrost cycle as ice melts from the evaporator and flows into the drain pan.
- Closing the door may cause a gurgling sound due to pressure equalization.



*For additional information on normal icemaker operating sounds, see the **About the automatic icemaker** section.*

## Before you call for service...



**Troubleshooting Tips**  
Save time and money! Review the charts on the following pages first and you may not need to call for service.

| Problem   | Possible Causes                               | What To Do  |
|---|---|---|
| <b>Refrigerator does not operate</b>                      | Refrigerator in defrost cycle.                | • Wait about 30 minutes for defrost cycle to end. |
|   | Control in <b>0 (off)</b> position.           | • Move the control to a temperature setting.      |
|   | Refrigerator is unplugged.                    | • Push the plug completely into the outlet.       |
|   | The fuse is blown/circuit breaker is tripped. | • Replace fuse or reset the breaker.              |
| <b>Vibration or rattling (slight vibration is normal)</b> | Leveling legs need adjusting.                 | • See <i>Level the Refrigerator</i> .             |



| <b>Problem</b>  | <b>Possible Causes</b>   | <b>What To Do</b>  |
|---|--|--|
| <b>Motor operates for long periods or cycles on and off frequently. (Modern refrigerators with more storage space and a larger freezer require more operating time. They start and stop often to maintain even temperatures.)</b> | Normal when refrigerator is first plugged in.  | • Wait 24 hours for the refrigerator to completely cool down.  |
|   | Often occurs when large amounts of food are placed in refrigerator.  | • This is normal.  |
|   | Door left open.  | • Check to see if package is holding door open.  |
|   | Hot weather or frequent door openings.   | • This is normal.  |
|   | Temperature control set at the coldest setting.  | • See <i>About the controls</i> .  |
|   | TurboCool function has been activated.   | • This is normal when the TurboCool function is activated. See <i>About TurboCool</i> for more information.  |
| <b>Refrigerator or freezer compartment too warm</b>   | Temperature controls not set cold enough.  | • See <i>About the controls</i> .  |
|   | Warm weather or frequent door openings.  | • Set the temperature control one step colder. See <i>About the controls</i> .   |
|   | Door left open.  | • Check to see if package is holding door open.  |
| <b>Frost or ice crystals on frozen food (frost within package is normal)</b>  | Door left open.  | • Check to see if package is holding door open.  |
|   | Door openings too frequent or too long.  |  |
| <b>Frequent "buzzing" sound</b>   | Icemaker power switch is in the <i>I (on)</i> position, but the water supply to the refrigerator has not been connected. | • Set the power switch to the <b>0 (off)</b> position. Keeping it in the <i>I (on)</i> position will damage the water valve.   |
| <b>Small or hollow cubes</b>  | Water filter clogged.  | • Replace filter cartridge with new cartridge or with plug.  |
| <b>Automatic icemaker (on some models) does not work</b>  | Icemaker power switch is not on.   | • Set the power switch to the <i>I (on)</i> position. The icemaker power light will turn green when the freezer light switch is pressed in or when the freezer door is closed. |
|   | Water supply turned off or not connected.  | • See <i>Installing the water line</i> .   |
|   | Freezer compartment too warm.  | • Wait 24 hours for the refrigerator to completely cool down.  |
|   | Piled up cubes in the storage bin cause the icemaker to shut off.  | • Level cubes by hand.   |
|   | Ice cubes stuck in icemaker. (Green power light on icemaker blinking.)   | • Turn off the icemaker, remove cubes and turn the icemaker back on.   |
|   | Icemaker light is not lit.   | • This is normal when the freezer door is open. The icemaker power light will turn green when the freezer light switch is pressed in or when the freezer door is closed.       |

## Before you call for service...



### Troubleshooting Tips

| <b>Problem</b>   | <b>Possible Causes</b>  | <b>What To Do</b>  |
|--|---|--|
| <b>Ice cubes have odor/taste</b>   | Food transmitting odor/taste to ice cubes.  | <ul style="list-style-type: none"> <li>• Wrap foods well.</li> </ul>   |
|  | Interior of refrigerator needs cleaning.  | <ul style="list-style-type: none"> <li>• See <i>Care and cleaning</i>.</li> <li>• Keep an open box of baking soda in the refrigerator; replace every three months.</li> </ul>  |
| <b>Slow ice cube freezing</b>  | Door left open.   | <ul style="list-style-type: none"> <li>• Check to see if package is holding door open.</li> </ul>  |
|  | Freezer control not set cold enough.  | <ul style="list-style-type: none"> <li>• See <i>About the controls</i>.</li> </ul>   |
| <b>Refrigerator has odor</b>   | Foods transmitting odor to refrigerator.  | <ul style="list-style-type: none"> <li>• Foods with strong odors should be tightly wrapped.</li> <li>• Keep an open box of baking soda in the refrigerator; replace every three months.</li> </ul>   |
|  | Interior needs cleaning.  | <ul style="list-style-type: none"> <li>• See <i>Care and cleaning</i>.</li> </ul>  |
| <b>Moisture forms on outside of refrigerator</b>   | Not unusual during periods of high humidity.  | <ul style="list-style-type: none"> <li>• Wipe surface dry and reset the refrigerator control one setting colder.</li> </ul>  |
| <b>Moisture collects inside (in humid weather, air carries moisture into refrigerator when doors are opened)</b> | Too frequent or too long door openings.   |  |
| <b>Refrigerator or freezer compartment light does not work</b>   | No power at outlet.   | <ul style="list-style-type: none"> <li>• Replace fuse or reset the breaker.</li> </ul>   |
|  | Light bulb burned out or loose.   | <ul style="list-style-type: none"> <li>• See <i>Replacing the light bulbs</i>.</li> </ul>  |
| <b>Door/drawer does not close by itself</b>  | Leveling legs need adjusting.   | <ul style="list-style-type: none"> <li>• See <i>Installing the Refrigerator</i>.</li> </ul>  |
| <b>Freezer door/drawer pops open when refrigerator door is closed</b>  | This is normal if, after popping open, the freezer door/drawer closed on its own.   | <ul style="list-style-type: none"> <li>• This indicates that there is a good seal on the freezer door/drawer. If the freezer door/drawer does not automatically close after popping open, then see the <b>Problem: Door/drawer does not close by itself</b>, above.</li> </ul> |
| <b>Hot air from bottom of refrigerator</b>   | Normal air flow cooling motor. In the refrigeration process, it is normal that heat be expelled in the area under the refrigerator. Some floor coverings will discolor at these normal and safe temperatures. |  |
| <b>Food freezing in the refrigerator</b>   | Food too close to the air vent at the back of the refrigerator.   | <ul style="list-style-type: none"> <li>• Move the food away from the air vent.</li> </ul>  |
|  | Refrigerator control is set too cold.   | <ul style="list-style-type: none"> <li>• Move the refrigerator control to a warmer temperature setting one increment at a time.</li> </ul>   |
| <b>Orange glow in the freezer</b>  | Defrost heater is on.   | <ul style="list-style-type: none"> <li>• This is normal.</li> </ul>  |

| <b>Problem</b>                         | <b>Possible Causes</b>  | <b>What To Do</b>  |
|--|---|--|
| <b>Water has poor taste/odor</b>       | Water dispenser has not been used for a long time.  | <ul style="list-style-type: none"> <li>• Dispense water until all water in system is replenished.</li> </ul>   |
| <b>Water in first glass is warm</b>    | Normal when refrigerator is first installed.  | <ul style="list-style-type: none"> <li>• Wait 24 hours for the refrigerator to completely cool down.</li> </ul>  |
|  | Water dispenser has not been used for a long time.  | <ul style="list-style-type: none"> <li>• Dispense water until all water in system is replenished.</li> </ul>   |
|  | Water system has been drained.  | <ul style="list-style-type: none"> <li>• Allow several hours for replenished supply to chill.</li> </ul>   |
| <b>Water dispenser does not work</b>   | Water supply line turned off or not connected.  | <ul style="list-style-type: none"> <li>• See <i>Installing the water line</i>.</li> </ul>  |
|  | Water filter clogged.   | <ul style="list-style-type: none"> <li>• Replace filter cartridge or remove filter and install plug.</li> </ul>  |
|  | Air may be trapped in the water system.   | <ul style="list-style-type: none"> <li>• Press the dispenser arm for at least 2 minutes.</li> </ul>  |
|  | Water in reservoir is frozen because the controls are set too cold.                       | <ul style="list-style-type: none"> <li>• Set the refrigerator control to a warmer setting and wait 24 hours. If water does not dispense after 24 hours, call for service.</li> </ul>                           |
| <b>Water spurting from dispenser</b>   | Newly-installed filter cartridge.   | <ul style="list-style-type: none"> <li>• Run water from the dispenser for 3 minutes (about 1½ gallons).</li> </ul>   |
| <b>No water or ice cube production</b> | Supply line or shutoff valve is clogged.  | <ul style="list-style-type: none"> <li>• Call a plumber.</li> </ul>  |
|  | Water filter clogged.   | <ul style="list-style-type: none"> <li>• Replace filter cartridge or remove filter and install plug.</li> </ul>  |
|  | Filter cartridge not properly installed.  | <ul style="list-style-type: none"> <li>• Remove and reinstall filter cartridge, being certain that it locks into place. The blade on the end of the cartridge should be positioned vertically.</li> </ul>      |
| <b>Water is leaking from dispenser</b> | Glass not being held under the dispenser long enough after button is released.            | <ul style="list-style-type: none"> <li>• Hold the glass underneath the dispenser for 2–3 seconds after releasing the dispenser button. Water may continue to dispense after the button is released.</li> </ul> |
|  | Air may be present in the water line system, causing water to drip after being dispensed. | <ul style="list-style-type: none"> <li>• Dispense water for at least 2 minutes to remove air from system.</li> </ul>   |

## Before you call for service...



### Troubleshooting Tips

| Problem   | Possible Causes   | What To Do  |
|---|---|---|
| <b>My display is showing <math>\text{E} \text{C}</math></b>                           | TurboCool function is activated.  | <ul style="list-style-type: none"> <li>See <i>About TurboCool</i> for more information.</li> </ul>  |
| <b>Water filter indicator light changed color</b>                                     | This is normal.   | <ul style="list-style-type: none"> <li>See <i>About the water filter</i> for more information.</li> </ul>   |
| <b>Water filter indicator light remains red even after replacing the water filter</b> | Water filter indicator must be reset.   | <ul style="list-style-type: none"> <li>Press and hold the <b>RESET WATER FILTER</b> pad for 3 seconds. See <i>About the water filter</i> for more information.</li> </ul> |
| <b>Water filter indicator light is not lit</b>  | This is normal. This light will turn orange to tell you that you need to replace the filter soon. The filter cartridge should be replaced when the replacement indicator light turns red. | <ul style="list-style-type: none"> <li>See <i>About the water filter</i> for more information.</li> </ul>   |
| <b>Handle is loose / handle has a gap</b>   | Handle needs adjusting.   | <ul style="list-style-type: none"> <li>See <i>Attach the Fresh Food handle</i> and <i>Attach the Freezer handle</i> sections for detailed instructions.</li> </ul>        |
| <b>Refrigerator beeping</b>   | This is the door alarm.   | <ul style="list-style-type: none"> <li>Close door.</li> </ul>   |
| <b>Control setting is not lit</b>   | On some models, the light bulbs at the top of the refrigerator compartment light up the temperature control settings.   | <ul style="list-style-type: none"> <li>If the control settings do not light up, check to see if the light bulbs are burned out, and replace if necessary.</li> </ul>      |
| <b>Refrigerator doors are not even (on Double Door models only)</b>                   | Doors need realigning.  | <ul style="list-style-type: none"> <li>See <i>Align Double Doors</i> section located under <i>Replacing the Door (Double Door Refrigerator Models only)</i>.</li> </ul>   |

## GE Service Protection Plus™

GE, a name recognized worldwide for quality and dependability, offers you Service Protection Plus™—comprehensive protection on all your appliances—**No Matter What Brand!**

**Benefits Include:**

- Backed by GE
- All brands covered
- Unlimited service calls
- All parts and labor costs included
- No out-of-pocket expenses
- No hidden deductibles
- One 800 number to call

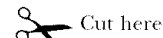
***We'll Cover Any Appliance.  
Anywhere. Anytime.\****

You will be completely satisfied with our service protection or you may request your money back on the remaining value of your contract. No questions asked. It's that simple.

Protect your refrigerator, dishwasher, washer and dryer, range, TV, VCR and much more—**any brand!** Plus there's no extra charge for emergency service and low monthly financing is available. Even icemaker coverage and food spoilage protection is offered. You can rest easy, knowing that all your valuable household products are protected against expensive repairs.

Place your confidence in GE and call us in the U.S. toll-free at **800.626.2224** for more information.

\*All brands covered, up to 20 years old, in the continental U.S.



Please place in envelope and mail to:

***General Electric Company***  
**Warranty Registration Department**  
**P.O. Box 32150**  
**Louisville, KY 40232-2150**

# Consumer Product Ownership Registration

Dear Customer:

Thank you for purchasing our product and thank you for placing your confidence in us. We are proud to have you as a customer!

Follow these three steps to protect your new appliance investment:

# 1

Complete and mail your **Consumer Product Ownership Registration** today. Have the peace of mind of knowing we can contact you in the unlikely event of a safety modification.

# 2

After mailing the registration below, store this document in a safe place. It contains information you will need should you require service. Our service number is 800 GE CARES (800.432.2737).


# 3

Read your Owner's Manual carefully. It will help you operate your new appliance properly.

Model Number

Serial Number

**Important: If you did not get a registration card with your product, detach and return the form below to ensure that your product is registered, or register online at [ge.com](http://ge.com).**

 Cut here

## Consumer Product Ownership Registration



Model Number

Serial Number

Mr.  Ms.  Mrs.  Miss

First Name

Last Name

Street Address

Apt. #

E-mail Address\*

City

State

Zip Code

Date Placed In Use  
Month

Day

Year

Phone Number --



**GE Consumer & Industrial Appliances**  
General Electric Company  
Louisville, KY 40225  
[ge.com](http://ge.com)

\* Please provide your e-mail address to receive, via e-mail, discounts, special offers and other important communications from GE Appliances (GEA).

Check here if you do not want to receive communications from GEA's carefully selected partners.

**FAILURE TO COMPLETE AND RETURN THIS CARD DOES NOT DIMINISH YOUR WARRANTY RIGHTS.**

For information about GEA's privacy and data usage policy, go to [ge.com](http://ge.com) and click on "Privacy Policy" or call 800.626.2224.

---

Please place in envelope and mail to:  
Veuillez mettre dans une enveloppe et envoyez à :

**OWNERSHIP REGISTRATION  
P.O. BOX 1780  
MISSISSAUGA, ONTARIO  
L4Y 4G1**

**(FOR CANADIAN CONSUMERS ONLY)**

---



For Canadian  
Customers



Pour les  
Consommateurs  
Canadiens

CUT ALONG THIS LINE AND RETURN CARD - THANKS

### OWNERSHIP REGISTRATION CERTIFICATE - FICHE D'INSCRIPTION DU PROPRIÉTAIRE

Please register your product to enable us to contact you in the remote event a safety notice is issued for this product and to allow for efficient communication under the terms of your warranty, should the need arise.

Veillez enregistrer votre produit afin de nous permettre de communiquer avec vous si jamais un avis de sécurité concernant ce produit était émis et de communiquer facilement avec vous en vertu de votre garantie, si le besoin s'en fait sentir.

|  |                                    |   |  |
|--|------------------------------------|---|--|
| REGISTER ONLINE: <a href="http://www.geappliances.ca">www.geappliances.ca</a>  |                                    | MAIL TO: <b>P.O. BOX 1780, MISSISSAUGA</b>  |  |
| ENREGISTREMENT SUR INTERNET À: <a href="http://www.electromenagersge.ca">www.electromenagersge.ca</a>  |                                    | POSTER À: <b>ONTARIO, L4Y 4G1</b>   |  |
| <input type="checkbox"/> MR./M   | <input type="checkbox"/> MRS./MME. | FIRST NAME / PRÉNOM   | LAST NAME / NOM                          |
| <input type="checkbox"/> MISS/Mlle.  | <input type="checkbox"/> MS.       |   |  |
| STREET NO / N° RUE   |                                    | STREET NAME / RUE   |  |
| CITY / VILLE   |                                    | PROVINCE  | POSTAL CODE / POSTAL                     |
| AREA CODE / IND. RÉG.  |                                    | TELEPHONE   | E-MAIL                                   |
| DID YOU PURCHASE A SERVICE CONTRACT FOR THIS APPLIANCE?<br>AVEZ-VOUS ACHETÉ UN CONTRAT DE SERVICE POUR CET APPAREIL ?  |                                    | YES / OUI <input type="checkbox"/><br>NO / NON <input type="checkbox"/>                             | IF YES / SI OUI: EXPIRATION<br>Y/A M D/J |
| NAME OF SELLING DEALER / NOM DU MARCHAND   |                                    | MODEL / MODÈLE  |  |
| INSTALLATION DATE / DATE D'INSTALLATION<br>Y/A M D/J   |                                    | CORRESPONDENCE <input type="checkbox"/> ENGLISH<br>CORRESPONDANCE <input type="checkbox"/> FRANÇAIS | SERIAL / SÉRIE                           |
| <input type="checkbox"/> I do not wish to receive any promotional offers regarding this product.<br><input type="checkbox"/> Je ne désire pas recevoir d'offres promotionnelles concernant ce produit. |                                    |   |  |



# Refrigerator Warranty. (For customers in the United States)



All warranty service provided by our Factory Service Centers, or an authorized Customer Care® technician. To schedule service, on-line, 24 hours a day, visit us at [ge.com](http://ge.com), or call 800.GE.CARES (800.432.2737). Please have serial number and model number available when calling for service.

Staple your receipt here.  
Proof of the original purchase date is needed to obtain service under the warranty.

## For The Period Of: GE Will Replace:

### GE and GE PROFILE MODELS:

#### One Year

From the date of the original purchase

**Any part** of the refrigerator which fails due to a defect in materials or workmanship. During this **limited one-year warranty**, GE will also provide, **free of charge**, all labor and related service to replace the defective part.

#### Thirty Days

(Water filter, if included)  
From the original purchase date of the refrigerator

**Any part** of the water filter cartridge which fails due to a defect in materials or workmanship. During this **limited thirty-day warranty**, GE will also provide, **free of charge**, a replacement water filter cartridge.

### GE PROFILE MODELS ONLY:

#### Five Years

(GE Profile models only)  
From the date of the original purchase

**Any part of the sealed refrigerating system** (the compressor, condenser, evaporator and all connecting tubing) which fails due to a defect in materials or workmanship. During this **limited five-year sealed refrigerating system warranty**, GE will also provide, **free of charge**, all labor and related service to replace the defective part in the sealed refrigerating system.

## What GE Will Not Cover:

- Service trips to your home to teach you how to use the product.
- Improper installation, delivery or maintenance.
- Failure of the product if it is abused, misused, or used for other than the intended purpose or used commercially.
- Loss of food due to spoilage.
- Replacement of house fuses or resetting of circuit breakers.
- Damage caused after delivery.
- Replacement of the water filter cartridge, if included, due to water pressure that is outside the specified operating range or due to excessive sediment in the water supply.
- Replacement of the light bulbs, if included, or water filter cartridge, if included, other than as noted above.
- Damage to the product caused by accident, fire, floods or acts of God.
- Incidental or consequential damage caused by possible defects with this appliance.
- Product not accessible to provide required service.

**EXCLUSION OF IMPLIED WARRANTIES—Your sole and exclusive remedy is product repair as provided in this Limited Warranty. Any implied warranties, including the implied warranties of merchantability or fitness for a particular purpose, are limited to one year or the shortest period allowed by law.**

This warranty is extended to the original purchaser and any succeeding owner for products purchased for home use within the USA. If the product is located in an area where service by a GE Authorized Servicer is not available, you may be responsible for a trip charge or you may be required to bring the product to an Authorized GE Service location for service. In Alaska, the warranty excludes the cost of shipping or service calls to your home.

Some states do not allow the exclusion or limitation of incidental or consequential damages. This warranty gives you specific legal rights, and you may also have other rights which vary from state to state. To know what your legal rights are, consult your local or state consumer affairs office or your state's Attorney General.

# CUSTOMER WARRANTY

(for customers in Canada)

Your refrigerator is warranted to be free of defects in material and workmanship.

| What is covered  | How Long Warranted<br>(From Date of Sale)                              | Parts<br>Repair or Replace<br>at Mabe's Option                         | Labour   |
|--|--|--|--|
| Compressor   | GE Profile: Ten (10) Years<br>GE and All Other<br>Brands: One (1) Year | GE Profile: Ten (10) Years<br>GE and All Other<br>Brands: One (1) Year | GE Profile: Five (5) Years<br>GE and All Other<br>Brands: One (1) Year |
| Sealed System (including<br>evaporator, condenser<br>tubing and refrigerant) | GE Profile: Five (5) Years<br>GE and All Other<br>Brands: One (1) Year | GE Profile: Five (5) Years<br>GE and All Other<br>Brands: One (1) Year | GE Profile: Five (5) Years<br>GE and All Other<br>Brands: One (1) Year |
| All Other Parts  | One (1) Year   | One (1) Year   | One (1) Year   |

## TERMS AND CONDITIONS:

This warranty applies only for single family domestic use in Canada when the Refrigerator has been properly installed according to the instructions supplied by Mabe and is connected to an adequate and proper utility service.

Damage due to abuse, accident, commercial use, and alteration or defacing of the serial plate cancels all obligations of this warranty.

Service during this warranty period must be performed by an Authorized Mabe Service Agent.

Neither Mabe nor the Dealer is liable for any claims or damages resulting from failure of the Refrigerator or from service delays beyond their reasonable control.

To obtain warranty service, purchaser must present the original Bill of Sale. Components repaired or replaced are warranted through the remainder of the original warranty period only.

This warranty is extended to the original purchaser and any succeeding owner for products purchased for home use within Canada. In home warranty service will be provided in areas where it is available and deemed reasonable by Mabe to provide.

This warranty is in addition to any statutory warranty.

## WHAT IS NOT COVERED:

- Owner is responsible to pay for service calls related to product installation and/or teaching how to use the product.
- Damage to finish must be reported within 48 hours following the delivery of the appliance.
- Damage to finish after delivery.
- Improper installation—proper installation includes adequate air circulation to the refrigeration system, adequate electrical, plumbing and other connecting facilities.
- Replacement of house fuses or resetting of circuit breakers.
- Replacement of light bulbs.
- Damage to product caused by accident, fire, floods or acts of God.
- Loss of food due to spoilage.
- Proper use and care of product as listed in the owner's manual, proper setting of controls.
- Product not accessible to provide required service.
- **WARRANTOR IS NOT RESPONSIBLE FOR CONSEQUENTIAL DAMAGES.**

**EXCLUSION OF IMPLIED WARRANTIES**—Your sole and exclusive remedy is product repair as provided in this Limited Warranty. Any implied warranties, including the implied warranties of merchantability or fitness for a particular purpose, are limited to one year or the shortest period allowed by law.

## IMPORTANT

**Keep this warranty and your bill of sale as proof of original purchase and purchase date. Please have serial number and model number available when calling for service.**

Mabe Service is available coast to coast. If further help is needed concerning this warranty, contact:

Manager, Consumer Relations  
Mabe Canada Inc., Consumer Service  
1 Factory Lane, Suite 310  
Moncton, New Brunswick E1C 9M3  
1.800.561.3344

*Staple your receipt here.  
Proof of the original purchase  
date is needed to obtain service  
under the warranty.*

**Performance Data Sheet**  
**SmartWater Filtration System**  
**GSWF Cartridge**

**This system has been tested according to NSF/ANSI 42/53 for reduction of the substances listed below. The concentration of the indicated substances in water entering the system was reduced to a concentration less than or equal to the permissible limit for water leaving the system, as specified in NSF/ANSI 42/53.\***  
*(100% safety factors built in for unmeteread usage)*

**Standard No. 42: Aesthetic Effects**

| Parameter     | USEPA MCL | Influent Average | Influent Challenge Concentration | Effluent    |           | % Reduction |         | Min. Required Reduction |
|---------------|-----------|------------------|----------------------------------|-------------|-----------|-------------|---------|-------------------------|
|               |           |                  |                                  | Average     | Maximum   | Average     | Minimum |                         |
| Chlorine      | —         | 1.845 mg/L       | 2.0 mg/L±10%                     | < 0.05 mg/L | 0.05 mg/L | > 97.29%    | 96.43%  | ≥ 50%                   |
| T & O         | —         | —                | —                                | —           | —         | —           | —       | —                       |
| Particulate** | —         | 143,333 #/mL     | at least 10,000 particles/mL     | 29.83 #/mL  | 140 #/mL  | 99.98%      | 99.91%  | ≥ 85%                   |

**Standard No. 53: Health Effects**

| Parameter      | USEPA MCL        | Influent Average | Influent Challenge Concentration | Effluent       |                | % Reduction |          | Min. Required Reduction |
|----------------|------------------|------------------|----------------------------------|----------------|----------------|-------------|----------|-------------------------|
|                |                  |                  |                                  | Average        | Maximum        | Average     | Minimum  |                         |
| Turbidity      | 1 NTU***         | 10.3 NTU***      | 1±1 NTU***                       | 0.106 NTU      | 0.14 NTU       | 98.97%      | 98.61%   | 0.5 NTU                 |
| Cysts          | 99.95% Reduction | 200,000 #/L      | Minimum 50,000 L                 | 0              | 0              | > 99.99%    | > 99.99% | > 99.95%                |
| Lead at pH 6.5 | 0.015 mg/L       | 0.15 mg/L        | 0.15 mg/L±10%                    | < 0.001 mg/L   | < 0.001 mg/L   | > 99.33%    | > 99.33% | 0.010 mg/L              |
| Lead at pH 8.5 | 0.015 mg/L       | 0.14 mg/L        | 0.15 mg/L±10%                    | 0.001 mg/L     | 0.003 mg/L     | > 99.29%    | 97.86%   | 0.010 mg/L              |
| Lindane        | 0.0002 mg/L      | 0.0216 mg/L      | 0.002 mg/L±10%                   | < 0.00002 mg/L | < 0.00002 mg/L | 99.07%      | 98.75%   | 0.0002 mg/L             |
| Atrazine       | 0.003 mg/L       | 0.008 mg/L       | 0.009 mg/L±10%                   | < 0.002 mg/L   | < 0.002 mg/L   | > 76.12%    | > 66.67% | 0.003 mg/L              |

\* Tested using a flow rate of 0.5 gpm; pressure of 60 psig; pH of 7.5 ± 0.5; temp. of 68° ± 5°F (20° ± 3°C)

\*\* Measurement in Particles/ml. Particles used were 0.5-1 microns

\*\*\* NTU=Nephelometric Turbidity units

### Operating Specifications

- Capacity: certified for up to 750 gallons (2,838 l); up to six months
- Pressure requirement: 40–120 psi (2.8–8.2 bar)
- Temperature: 33–100°F (0.6–38°C)
- Flow rate: 0.5 gpm (1.9 lpm)

### General Installation/Operation/Maintenance Requirements

- Flush new cartridge at full flow for 3 minutes to purge out trapped air.
- Replace cartridge when flow becomes too slow.

### Special Notices

- Installation instructions, parts and service availability, and standard warranty are included with the product when shipped.
- This drinking water system must be maintained according to manufacturer's instructions, including replacement of filter cartridges.
- Do not use with water that is microbiologically unsafe or of unknown quality without adequate disinfection before or after the system. Systems certified for cyst reduction may be used on disinfected water that may contain filterable cysts.
- The contaminants or other substances removed or reduced by this water treatment system are not necessarily in your water.
- Check for compliance with the state and local laws and regulations.
- Note that while the testing was performed under standard laboratory conditions, actual performance may vary. Systems must be installed and operated in accordance with manufacturer's recommended procedures and guidelines.

System tested and certified by NSF International against Standard 42 for the reduction of chlorine, taste and odor; particulate Class I and Standard 53 for the reduction of cyst, lead, Lindane, Atrazine and turbidity.



Manufactured for: General Electric Company, Louisville, KY 40225

State of California  
Department of Health Services

Water Treatment Device  
Certificate Number

03 - 1559

Date Issued: April 28, 2003

---

---

**Trademark/Model Designation**

GE GSWF

**Replacement Elements**

GSWF

---

---

**Manufacturer:** General Electric Consumer Products

---

---

The water treatment device(s) listed on this certificate have met the testing requirements pursuant to Section 116830 of the Health and Safety Code for the following health related contaminants:

**Microbiological Contaminants and Turbidity**

Cysts  
Turbidity

**Inorganic/Radiological Contaminants**

Asbestos  
Lead

**Organic Contaminants**

Atrazine  
Lindane  
2,4-D

---

**Rated Service Capacity:** 750 gal

**Rated Service Flow:** 0.5 gpm

---

**Conditions of Certification:**

Do not use where water is microbiologically unsafe or with water of unknown quality, except that systems certified for cyst reduction may be used on disinfected waters that may contain filterable cysts.

*Mesures de sécurité* .....50, 51

**Fonctionnement**

Caractéristiques supplémentaires .....56  
Clayettes et bacs .....55, 56  
Congélateur .....58  
Entretien et nettoyage  
du réfrigérateur .....60, 61  
Le distributeur d'eau .....59  
Le filtre à eau .....54  
Les bacs à rangement et bacs à légume .. .57  
Les commandes .....52-53  
Machine à glaçons automatique .....59  
Remplacement des ampoules .....62

**Installation**

Changement du sens  
d'ouverture des portes  
(modèles de réfrigérateurs  
à une porte uniquement) .....75-77  
Enlèvement du tiroir  
du compartiment congélation .....73  
Enlèvement et remise en place  
des portes (modèles de réfrigérateurs  
à deux portes uniquement) .....78-80  
Ensembles de moulures  
et de panneaux décoratifs .....63-64  
Installation de la conduite d'eau ....81-83  
Installation du réfrigérateur .....68-72  
Installation du support de sol  
anti-basculement .....66-67  
Préparation .....65  
Remise en place du tiroir  
du compartiment congélation .....74

**Conseils de dépannage** .....84-88  
Bruits normaux de fonctionnement ....84

**Soutien au consommateur**

Feuillet de données relatives à la  
performance de la cartouche .....91  
Garantie pour la clientèle au Canada ....90  
Soutien au consommateur .....92

**Transcrivez les numéros de modèle et de série ici :**

**# de modèle** \_\_\_\_\_

**# de série** \_\_\_\_\_

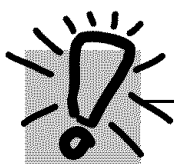
Ils figurent sur l'étiquette qui se trouve à l'intérieur  
du compartiment réfrigérateur en haute à droite.

|                         |
|-------------------------|
| Mesures de sécurité     |
| Fonctionnement          |
| Installation            |
| Conseils de dépannage   |
| Soutien au consommateur |

# MESURES DE SÉCURITÉ IMPORTANTES. LISEZ D'ABORD TOUTES LES DIRECTIVES.

## ⚠ AVERTISSEMENT!

N'utilisez cet électroménager que pour l'usage auquel il est destiné, comme expliqué dans le présent manuel.



## MESURES DE SÉCURITÉ

Lorsque vous utilisez un appareil électrique, observez toujours les mesures de sécurité de base, y compris les suivantes.

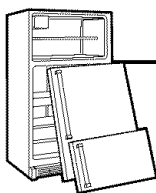
- Installez le réfrigérateur conformément aux directives d'installation avant de l'utiliser.
- Ne laissez pas les enfants grimper, s'asseoir, se tenir debout ni se pendre aux clayettes du réfrigérateur. Ils pourraient endommager le réfrigérateur et se blesser gravement.
- Ne touchez pas les surfaces froides du congélateur si vous avez les mains humides ou mouillées : la peau risque d'adhérer à ces surfaces très froides.
- N'entreposez et n'utilisez pas d'essence ou autres vapeurs et liquides inflammables à proximité de cet appareil ou de tout autre appareil électroménager.
- Si votre réfrigérateur est doté d'une machine à glaçons automatique évitez le contact avec les pièces mobiles du mécanisme éjecteur, ou avec l'élément chauffant situé à la partie inférieure de la machine à glaçons. Ne posez pas les doigts ou les mains sur le mécanisme de la machine à glaçons pendant que le réfrigérateur est branché.
- Éloignez les doigts des parties du réfrigérateur où l'on peut facilement se pincer : les espaces entre les portes et entre les portes et les placards sont toujours étroits. Soyez prudent lorsque vous fermez les portes de l'appareil en présence des enfants.
- Débranchez votre réfrigérateur avant de le nettoyer ou de le réparer.

**REMARQUE :** Nous vous recommandons vivement de confier toute réparation à un technicien qualifié.

- Lorsque vous réglez la commande sur **0 (arrêt)**, l'alimentation électrique de l'ampoule n'est pas coupée.
- Ne recongelez pas les aliments surgelés qui ont complètement dégelé.

## ⚠ DANGER! RISQUES POUR LES ENFANTS

### COMMENT VOUS DÉBARRASSER CONVENABLEMENT DE VOTRE ANCIEN RÉFRIGÉRATEUR



Les enfants pris au piège ou morts d'asphyxie sont toujours d'actualité. Les réfrigérateurs abandonnés sont toujours aussi dangereux, même si on n'attend que « quelques jours » pour s'en débarrasser. Si vous ne gardez pas votre ancien réfrigérateur, veuillez suivre les directives ci-dessous afin de prévenir les accidents.

#### **Avant de vous débarrasser de votre ancien réfrigérateur ou congélateur :**

- Démontez les portes.
- Laissez les clayettes en place afin d'empêcher les enfants de grimper à l'intérieur.

#### **Réfrigérants**

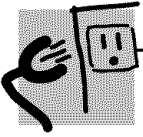
Tous les appareils de réfrigération contiennent des réfrigérants qui, conformément aux lois fédérales, doivent être enlevés avant toute élimination de l'appareil. Si vous vous débarrassez de vieux appareils de réfrigération, vérifiez, auprès de la société qui s'occupe de leur élimination, ce que vous devez faire.

## CORDONS PROLONGATEURS

Nous vous recommandons fortement de ne pas utiliser de cordons prolongateurs à cause des risques potentiels qu'ils présentent dans certaines conditions.

Toutefois si vous décidez d'utiliser tout de même un cordon prolongateur, il est absolument nécessaire qu'il s'agisse d'un cordon à 3 fils avec mise à la terre pour appareils électroménagers homologué UL (aux États-Unis) ou certifié CSA (au Canada), pourvu d'une fiche et d'une prise mises à la terre de 15 ampères (minimum) et de 120 volts.

## ⚠ **AVERTISSEMENT!**



### *RACCORDEMENT ÉLECTRIQUE*

*Ne coupez ni retirez en aucun cas la troisième broche (mise à la terre) de la fiche du cordon d'alimentation. Pour votre sécurité, cet appareil doit être correctement mis à la terre.*

Le cordon d'alimentation de cet appareil est muni d'une fiche à 3 broches (mise à la terre) qui se branche dans une prise murale ordinaire à 3 alvéoles (mise à la terre) pour réduire au minimum les risques de chocs électriques.

Faites examiner la prise de courant et le circuit par un électricien qualifié pour vous assurer que la prise est correctement mise à la terre.

Si la prise murale est du type standard à 2 alvéoles, il vous incombe de la faire remplacer par une prise à 3 alvéoles correctement mise à la terre.

Le réfrigérateur doit toujours être branché dans sa propre prise de courant, dont la tension nominale est identique à celle indiquée sur la plaque signalétique.

Cette précaution est recommandée pour garantir un rendement optimum et éviter une surcharge des circuits électriques de la résidence, ce qui pourrait créer un risque d'incendie par surchauffe des fils.

Ne débranchez jamais le réfrigérateur en tirant sur le cordon d'alimentation. Saisissez fermement la fiche du cordon et tirez droit pour la retirer de la prise.

Réparez ou remplacez immédiatement tout cordon effiloché ou endommagé. N'utilisez pas un cordon fendillé ou présentant des signes d'usure.

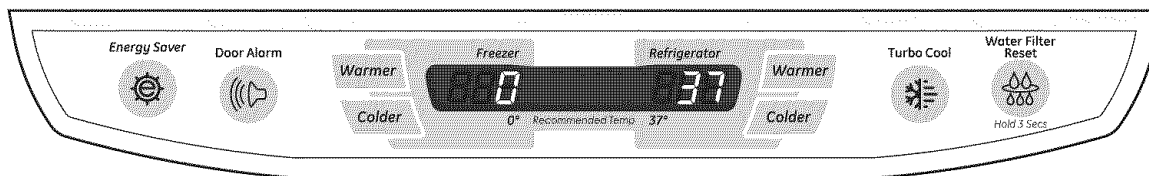
Lorsque vous déplacez votre réfrigérateur du mur, faites attention de ne pas le faire rouler sur le cordon d'alimentation afin de ne pas l'endommager.



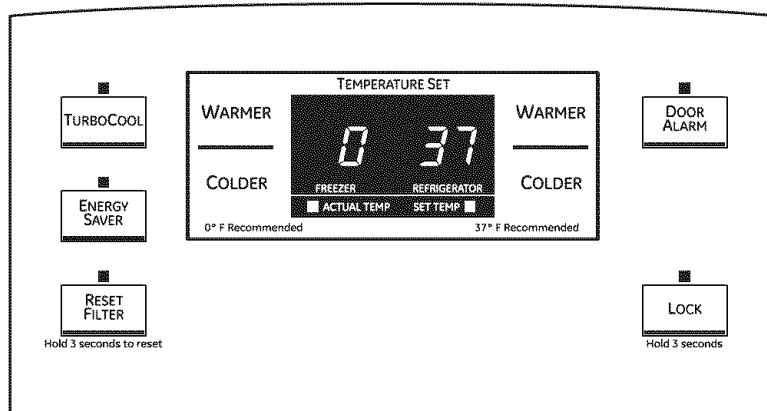
*VEUILLEZ LIRE ET SUIVRE ATTENTIVEMENT CES MESURES DE SÉCURITÉ.*

**CONSERVEZ CES DIRECTIVES**

## Les commandes avec réglages de température. (pour les autres modèles, consultez les pages suivantes)



(Sur certains modèles)



(Sur certains modèles)

**NOTE :** Le réfrigérateur est expédié avec une pellicule de protection couvrant les commandes de température. Si cette pellicule n'a pas été retirée au cours de l'installation faites-le maintenant.

La température est pré-réglée à l'usine au numéro **37° F** pour le compartiment réfrigérateur et **0° F** pour le compartiment congélateur. Attendez 24 heures que la température se stabilise aux températures recommandées pré-réglées.

Le réglage de température peut indiquer la température **SET** (réglée) ainsi que la température réelle dans le compartiment réfrigération et dans le compartiment congélation. La température **SET** (réglée) peut varier légèrement de la température réelle, selon l'utilisation et les conditions de fonctionnement.

Le placement d'une ou des deux commandes sur **OFF** (Arrêt) arrête le refroidissement à la fois dans les compartiments du réfrigérateur et du congélateur mais ne coupe pas l'alimentation électrique du réfrigérateur.

### Changement de la température

**Pour les modèles avec contrôles sur la porte :**

**Pour changer la température**, appuyez et relâchez le bouton **WARMER** ou **COLDER** (Plus chaud et Plus froid). Le voyant **ACTUAL TEMP** (Température actuelle) s'allumera et l'affichage indiquera la température actuelle. Pour changer la température, appuyez brièvement sur la touche **WARMER** (plus chaud) ou **COLDER** (plus froid) jusqu'à ce que la température désirée apparaisse.

**Pour les contrôles à l'intérieur du réfrigérateur :**

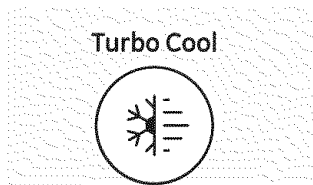
La température actuelle apparaît sur l'écran quand vous ouvrez la porte. Pour changer la température, appuyez sur la touche **WARMER** (plus chaud) ou **COLDER** (plus froid) jusqu'à ce que la température désirée apparaisse sur l'écran.

Une fois la température souhaitée affichée, après 5 secondes, la température affichée retournera à celle

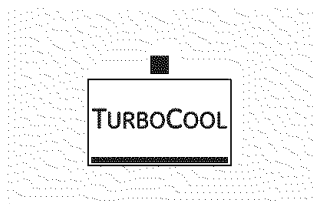
du réfrigérateur et du congélateur. Plusieurs ajustements peuvent être nécessaires. Chaque fois que vous ajustez les commandes, laissez passer 24 heures pour que le réfrigérateur atteigne la température que vous avez sélectionnée.

**Pour éteindre le système de refroidissement**, appuyez brièvement sur le bouton **WARMER** (plus chaud) du réfrigérateur ou du congélateur jusqu'à ce que l'affichage indique **OFF** (Arrêt). **Pour remettre l'appareil en marche**, poussez sur le bouton **COLDER** (plus froid) du réfrigérateur ou du congélateur. Appuyez à nouveau et la température de l'appareil passera sur la valeur pré-réglée de **0° F** pour le congélateur et **37° F** pour le réfrigérateur. L'affichage d'un ou des deux boutons sur **OFF** (Arrêt) arrête le refroidissement dans les compartiments du réfrigérateur et du congélateur mais ne coupe pas l'alimentation électrique du réfrigérateur.





(Sur certains modèles)



(Sur certains modèles)

## Fonctionnement

La commande **TurboCool** accélère le refroidissement du compartiment réfrigération afin de refroidir plus rapidement les aliments. Utilisez **TurboCool** quand vous ajoutez une grande quantité d'aliments dans le compartiment réfrigération, quand vous mettez de côté des aliments après les avoir laissés reposer à la température de la pièce ou quand vous mettez de côté des restes d'aliments chauds. Vous pouvez également l'utiliser après que le réfrigérateur soit resté débranché pendant une période prolongée.

Une fois activé, le compresseur se met immédiatement en route et les ventilateurs se mettent en marche et s'arrêtent à haute vitesse pendant huit heures, en suivant leur cycle. Le compresseur continue à marcher jusqu'à ce que le compartiment réfrigération se refroidisse à environ 1° C (34° F), puis il se met en marche et s'arrête selon son propre cycle pour maintenir cette température. Après 8 heures ou si

vous pressez à nouveau sur le bouton **TurboCool**, le compartiment réfrigération revient à son réglage original.

### Utilisation

Appuyez sur le bouton **TurboCool**. L'écran de température du réfrigérateur indique **EC**.

Quand la commande **TurboCool** cesse de fonctionner, le compartiment réfrigération revient à son réglage original.

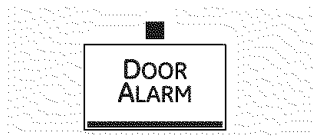
**NOTES :** Vous ne pouvez pas changer la température du réfrigérateur pendant que la commande **TurboCool** fonctionne.

Le **TurboCool** n'a pas d'effet sur la température du congélateur.

Quand vous ouvrez la porte du réfrigérateur pendant l'action de la commande **TurboCool**, les ventilateurs continuent à fonctionner si leur cycle le demande.



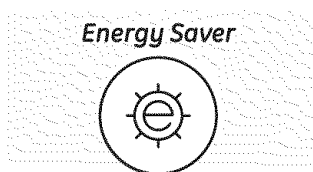
(Sur certains modèles)



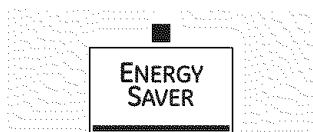
(Sur certains modèles)

## Alarme de porte (Sur certains modèles)

L'alarme de porte sonne si l'une des portes est ouverte pendant plus de 2 minutes. La sonnerie s'arrête quand vous fermez la porte.



(Sur certains modèles)



(Sur certains modèles)

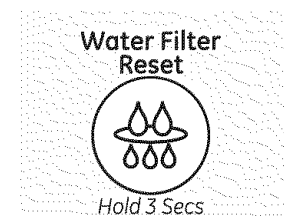
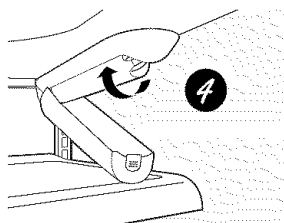
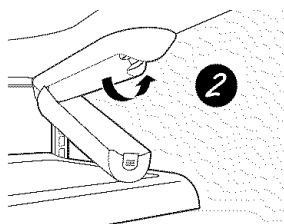
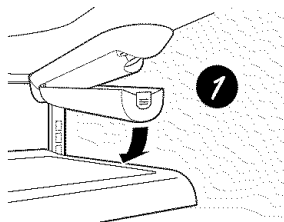
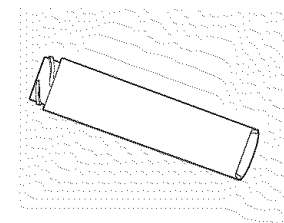
## L'économiseur d'énergie (sur certains modèles)

Votre appareil est équipé d'un mécanisme économiseur d'énergie. Le réfrigérateur est livré avec cet économiseur d'énergie en marche.

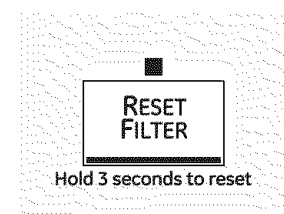
Avec le temps, il peut se former de l'humidité sur la surface avant du compartiment réfrigération, qui peut entraîner de la rouille. S'il apparaît de l'humidité sur la surface avant du compartiment réfrigération, éteignez l'économiseur d'énergie en appuyant,

puis relâchant la touche **ENERGY SAVER** (économiseur d'énergie) du panneau de contrôle.

## Le filtre à eau. (sur certains modèles)



(Sur certains modèles)



(Sur certains modèles)

### Cartouche du filtre à eau

La cartouche du filtre à eau se trouve dans le coin droit arrière supérieur du compartiment réfrigérateur.

### Remplacement du filtre

Il y a un voyant lumineux avertissant qu'il faut remplacer la cartouche du filtre d'eau sur l'affichage de température. Cette lumière devient orange pour vous avertir que vous devez remplacer bientôt le filtre. Vous devez remplacer la cartouche de filtre quand le voyant lumineux devient rouge ou si le débit de l'eau du distributeur ou de la machine à glaçons diminue.

### Installation de la cartouche du filtre à eau

- 1 Si vous remplacez la cartouche, d'abord enlevez la vieille cartouche. Ouvrez le couvercle de cartouche en l'appuyant sur le taquet situé à l'avant et en tirant vers le bas.
- 2 Enlevez la cartouche en la faisant tourner doucement dans le sens contraire à celui des aiguilles d'une montre. Un peu d'eau peut tomber.

**▲ MISE EN GARDE :** S'il y a de l'air piégé dans le système, la cartouche de filtre peut être éjectée pendant qu'elle est enlevée. Procédez avec soin pour l'enlever.

- 3 Enlevez la feuille de protection de l'extrémité de la cartouche.
- 4 En alignant les flèches de la cartouche et du boîtier de cartouche, faites tourner doucement la cartouche dans le sens des aiguilles d'une montre jusqu'à son arrêt. Si la cartouche est correctement installée, vous devez entendre un déclic quand elle s'engage en place. La poignée à l'extrémité de la cartouche doit être placée verticalement. **Ne serrez pas trop fort.**
- 5 Fermez le couvercle de cartouche.
- 6 Faites couler de l'eau du distributeur pendant 3 minutes (environ 5 litres) pour purger le système et empêcher les pulvérisations. Consultez la section *Utilisation du distributeur*.
- 7 Appuyez sur la touche **RESET WATER FILTER (remettre à zéro le filtre d'eau)** et tenez-la appuyée pendant 3 secondes.

**NOTE :** Une cartouche de filtre à eau nouvellement installée **peut occasionner un jet d'eau** du distributeur.

### Bouchon de dérivation du filtre

Il faut utiliser le bouchon de dérivation du filtre lorsqu'une cartouche de remplacement n'est pas disponible. Le distributeur et la machine à glaçons ne peuvent pas fonctionner sans le filtre ou sans le bouchon de dérivation du filtre.

### Filtres de remplacement :

**Pour commander des cartouches supplémentaires, visitez notre site Web à l'adresse [www.electromenagersge.ca](http://www.electromenagersge.ca), ou appelez le Service des pièces et accessoires au 888.261.3055.**

Modèle GSWF

Les clients au Canada devraient consulter les pages jaunes pour connaître la succursale Mabe la plus près.

Toutes les caractéristiques ne sont pas disponibles sur tous les modèles.

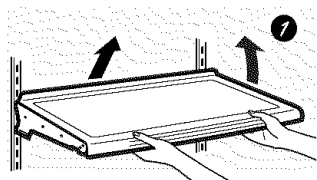
## Mise en place des clayettes

Les clayettes du réfrigérateur sont réglables.

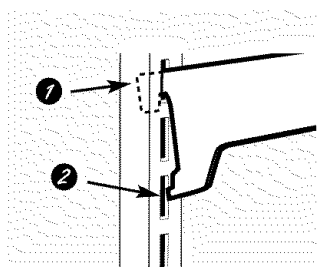
### Compartiment réfrigération

#### Enlèvement :

- 1 Enlevez tous les articles de la clayette.
- 2 Soulevez la clayette à l'avant.
- 3 Soulevez la clayette à l'arrière et faites-la sortir.



Certains modèles ont des clayettes en fil de fer que vous pouvez régler de la même manière.

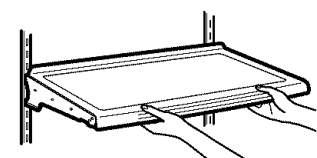


#### Remise en place :

- 1 En faisant basculer la clayette vers le haut, insérez le crochet supérieur à l'arrière de la clayette dans une fente du rail.
- 2 Abaissez le devant de la clayette jusqu'à ce que le bas de la clayette se fixe en place.

## Clayettes anti-déversement (sur certains modèles)

Les clayettes anti-déversement ont des bords spéciaux pour empêcher tout déversement aux clayettes inférieures. Pour enlever ou remettre en place ces clayettes, consultez *Mise en place des clayettes*.

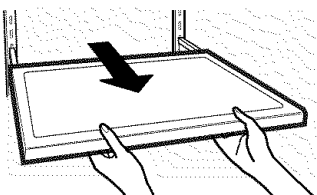


## Clayette coulissante anti-déversement (sur certains modèles)

Grâce à la clayette glissante anti-déversement, vous pouvez atteindre des articles placés derrière d'autres. Ses bords spéciaux sont conçus pour empêcher tout déversement aux clayettes inférieures.

#### Enlèvement :

- 1 Enlevez tous les articles de la clayette.
- 2 Faites glisser la clayette vers l'extérieur jusqu'à ce qu'elle atteigne son point d'arrêt.
- 3 Soulevez l'avant de la clayette jusqu'à ce que les taquets arrière soient au-dessus de la barre avant.
- 4 Continuez à tirer la clayette vers l'avant et enlevez-la.



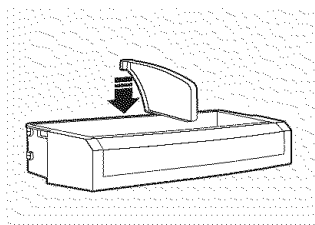
#### Remise en place :

- 1 Alignez les taquets arrière de la clayette aux fentes du centre des rails à clayette.
- 2 Faites glisser la clayette vers l'intérieur jusqu'à ce que les taquets du centre soient un peu derrière la barre avant.
- 3 Abaissez la clayette en place jusqu'à ce qu'elle soit horizontale et faites-la glisser à l'intérieur.

Assurez-vous que la clayette repose bien à l'horizontale après l'avoir remise en place, et qu'elle ne bouge pas d'un côté ou de l'autre.

Assurez-vous de bien pousser les clayettes jusqu'au fond pour refermer la porte.

## Les clayettes et les balconnets.



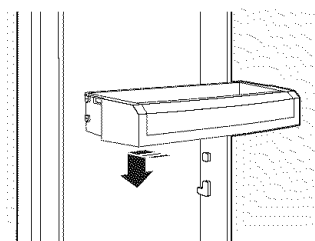
### Bacs réglables de porte

Vous pouvez facilement transporter les bacs réglables du réfrigérateur à votre surface de travail.

**Enlèvement :** Soulevez l'avant du bac droit vers le haut, puis enlevez en soulevant.

**Remise en place ou changement de place :** Faites glisser le bac juste au-dessus des soutiens moulés de la porte et poussez vers le bas. Le bac se verrouillera en place.

**La séparation** aide à empêcher les petits articles qui se trouvent sur la clayette de la porte de se renverser, de couler ou de glisser. Tenez l'alvéole se trouvant à l'arrière de la séparation par le doigt et faites bouger la séparation selon vos besoins.



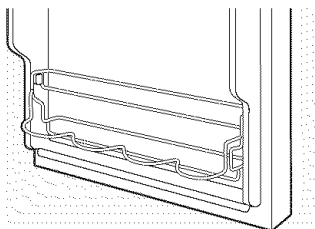
### Bacs non-réglables de porte

**Enlèvement :** Soulevez le bac droit vers le haut, puis enlevez en soulevant.

**Remise en place :** Engagez le bac dans les soutiens moulés de la porte et poussez vers le bas. Il se fixera en place.

## Caractéristiques supplémentaires.

Tous les modèles n'ont pas toutes ces caractéristiques.

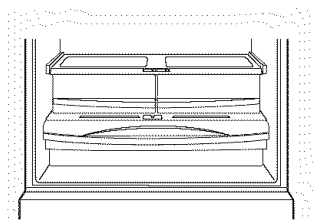


### Clayette non-réglable pour breuvages

**Enlèvement :** Soulevez la clayette directement vers le haut, puis faites-la sortir en tirant.

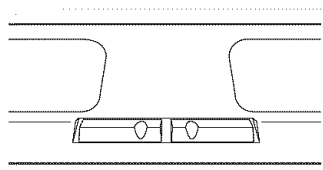
**Remise en place :** Faites entrer la clayette dans les soutiens moulés de la porte et poussez vers le bas. La clayette se verrouillera en place.

Tous les modèles n'ont pas toutes ces caractéristiques.



## Bacs à fruits et légumes

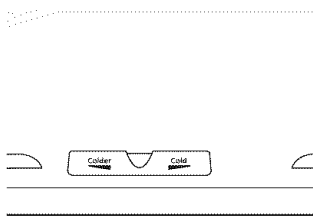
Vous devez bien essuyer toute eau en excès qui peut s'accumuler au fond des bacs ou en dessous des bacs.



## Bac à légume à humidité réglable (sur certains modèles)

Faites glisser le réglage en position **HIGH (élevée)** pour obtenir l'humidité maximum qui est recommandée pour la plupart des légumes.

Faites glisser le réglage en position **LOW (basse)** pour obtenir l'humidité minimum qui est recommandée pour la plupart des fruits.



## Bac à charcuterie à température réglable (sur certains modèles)

Faites glisser le contrôle complètement à gauche pour obtenir la température la plus froide.

## Enlèvement et remise en place du bac à charcuterie

### Enlèvement :

- 1 Enlevez les tiroirs à fruits et légumes.
- 2 Enlevez le tiroir en le tirant de sa position d'arrêt.

### Remise en place :

- 1 Assurez-vous que les quatre verrous basculants sont en position de déverrouillage.
- 2 Placez les côtés du tiroir dans les soutiens de tiroir, en vous assurant que les verrous aillent sur les fentes du tiroir.
- 3 Verrouillez les quatre verrous basculants en les faisant tourner en position de verrouillage.

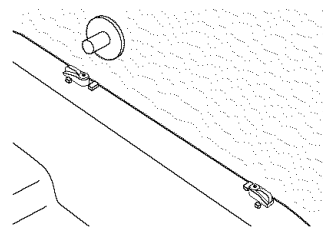
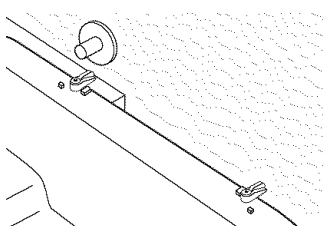
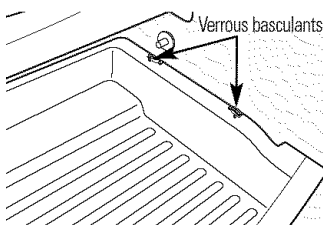
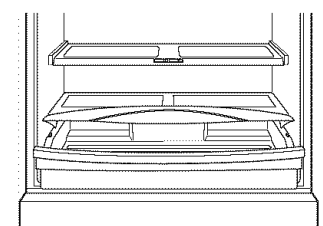
- 3 Soulevez le couvercle pour avoir accès aux 4 verrous basculants.

- 4 Faites tourner les quatre verrous pour déverrouiller.

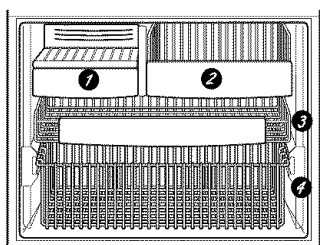
- 5 Soulevez l'avant du tiroir pour le faire sortir.

- 4 Abaissez le couvercle et faites glisser le tiroir.

- 5 Remettez en place les tiroirs à fruits et légumes.



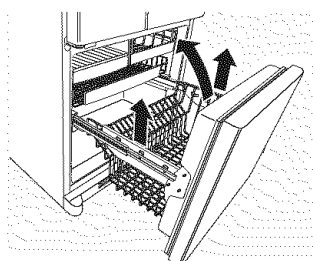
Tous les modèles n'ont pas toutes ces caractéristiques.



L'apparence et les caractéristiques peuvent varier

## Clayettes et paniers du compartiment congélation

- 1 Une clayette située au-dessus du bac à glaçons
- 2 Un panier sur la moitié de la largeur
- 3 Un panier bas sur toute la largeur
- 4 Un panier profond sur toute la largeur



L'apparence peut varier

## Enlèvement du panier

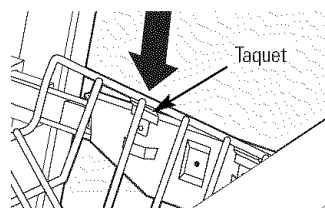
**Pour enlever le panier profond sur toute la largeur dans les modèles avec un tiroir de compartiment congélation :**

- 1 Ouvrez le tiroir du compartiment congélation jusqu'à son arrêt complet.
- 2 Le panier du compartiment congélation repose sur les taquets intérieurs des guides du tiroir.
- 3 Soulevez le panier de manière à ce que les quatre taquets sortent des rails des guides.
- 4 Faites basculer le panier et soulevez-le pour le faire sortir du tiroir.
- 5 Assurez-vous que les manchons en matière plastique restent attachés aux 4 taquets sur les rails.

**Remplacement du panier profond toute largeur :**

Faites basculer le panier vers l'arrière et abaissez-le dans le tiroir. Faites tourner le panier pour le remettre en place en l'abaissant dans le tiroir. Faites tourner le panier en position horizontale et pressez-le vers le bas dans les quatre taquets d'alignement.

**NOTE :** Assurez-vous toujours que les quatre taquets du panier soient engagés dans les rails des guides avant de les faire glisser à leur place dans le compartiment congélation.

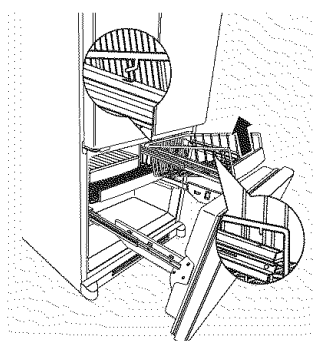


**Pour enlever le panier sur la moitié de la largeur :**

- 1 Tirez le panier hors de son emplacement d'arrêt.
- 2 Soulevez l'avant du panier pour le libérer des guides.
- 3 Soulevez l'arrière du panier et sortez-le des guides.

**Quand vous remettez en place le panier,** assurez-vous que les taquets en fil de fer et les crochets en fil de fer situés sur les côtés du panier entrent dans les fentes situées en haut des rails du panier du haut.

**NOTE :** Assurez-vous toujours de bien fermer le panier.

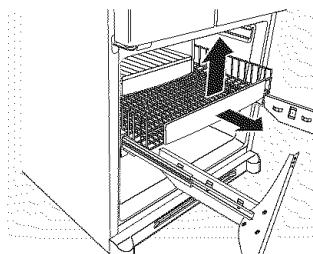


L'apparence peut varier

**Pour enlever le panier bas sur toute la largeur :**

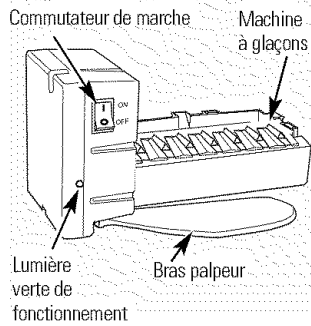
- 1 Tirez le panier jusqu'à son emplacement d'arrêt.
- 2 Soulevez l'avant et faites-le passer au-dessus de son emplacement d'arrêt.

- 3 Soulevez le panier et faites-le sortir.



L'apparence peut varier

Il faut prévoir entre 12 et 24 heures avant qu'un réfrigérateur nouvellement installé commence à produire des glaçons.



## Machine à glaçons automatique (sur certains modèles)

La machine à glaçons produit sept glaçons par cycle, soit environ 100 à 130 glaçons par 24 heures, selon la température du compartiment congélation, la température de la pièce, le nombre de fois que la porte est ouverte et les autres conditions d'utilisation.

Consultez ci-dessous la manière d'avoir accès aux glaçons et d'atteindre le commutateur de marche. Si vous faites fonctionner le réfrigérateur avant de raccorder l'eau à la machine à glaçons, mettez le commutateur de marche en position **0 (arrêt)**.

Après avoir raccordé le réfrigérateur à l'alimentation d'eau, mettez le commutateur de marche en position **1 (marche)**. Le voyant lumineux de la machine à glaçons devient vert quand le commutateur de la lumière du compartiment congélation est pressé ou quand la porte du compartiment congélation est fermée.

La machine à glaçons se remplira d'eau si sa température baisse à  $-10^{\circ}\text{C}$  ( $15^{\circ}\text{F}$ ). Un réfrigérateur nouvellement installé prend de 12 à 24 heures pour commencer à produire des glaçons.

Vous entendrez un bourdonnement chaque fois que la machine à glaçons se remplit d'eau.

Jetez les premiers lots de glaçons pour permettre à la conduite d'eau de se purger.

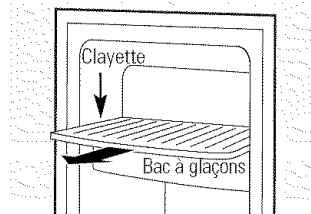
Assurez-vous que rien ne gêne la course du bras palpeur.

Quand le bac se remplit jusqu'au niveau du bras palpeur, la machine à glaçons s'arrête de produire des glaçons. Il est normal de trouver des glaçons qui soient soudés ensemble.

Si vous n'utilisez pas souvent vos glaçons, les vieux glaçons deviennent opaques, prennent un mauvais goût et rétrécissent.

**NOTE :** Dans les maisons qui ont une pression d'eau plus faible que la moyenne, vous pouvez entendre la machine à glaçons recommencer plusieurs fois son cycle pour produire une livraison de glaçons.

**NOTE :** Mettez le commutateur de marche en position **0 (off) (arrêt)** si l'alimentation d'eau est coupée.

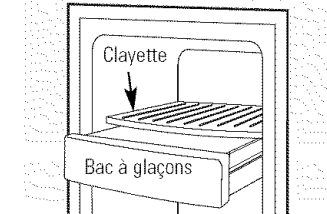


Pour atteindre le commutateur de marche.

## Accès aux glaçons et au commutateur de marche

Pour atteindre le commutateur de marche de la machine à glaçons, tirez la clayette située au-dessus du bac à glaçons et faites-la sortir. Assurez-vous toujours de bien la remettre en place.

Pour avoir accès aux glaçons, tirez simplement le bac vers vous.

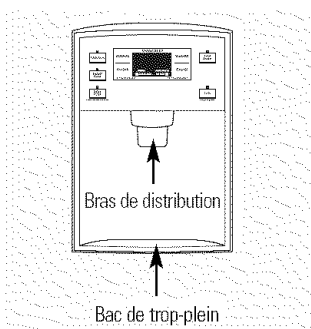


Pour avoir accès aux glaçons.

## Trousse accessoire de machine à glaçons

Si votre réfrigérateur n'est pas déjà équipé d'une machine à glaçons automatique, vous pouvez acheter une trousse accessoire de machine à glaçons.

Vérifiez derrière votre réfrigérateur le modèle de trousse à glaçons que vous devez acheter pour votre réfrigérateur.



## Pour utiliser le distributeur externe (sur certains modèles)

Appuyez doucement le verre contre le haut du bras de distribution.

La clayette de trop-plein n'est pas munie d'un système d'écoulement. Pour réduire les taches d'eau, vous devez nettoyer régulièrement la clayette.

*S'il n'y a pas d'eau distribuée lorsque le réfrigérateur est initialement installé, il y a peut-être de l'air dans la conduite d'eau. Appuyez sur la commande de distribution pendant deux minutes au minimum pour expulser l'air de la conduite d'eau et remplir le réservoir d'eau. Afin d'éliminer les éventuelles impuretés provenant de la conduite d'eau, jetez les six premiers verres d'eau.*

## Verrouillage du distributeur

Appuyez sur la touche **LOCK** (verrouillage) pendant 3 secondes pour verrouiller le distributeur et le panneau de réglage. Pour déverrouiller, appuyez sur la touche et tenez-la enfoncée pendant encore 3 secondes.

## Signal sonore

Pour brancher l'alarme, appuyez sur la touche **DOOR ALARM** (alarme de porte). Le voyant lumineux s'allumera. Ce signal sonne si l'une des portes reste ouverte plus de 2 minutes. Le signal sonore s'arrête quand vous fermez la porte.

## Pour utiliser le distributeur interne (sur certains modèles)

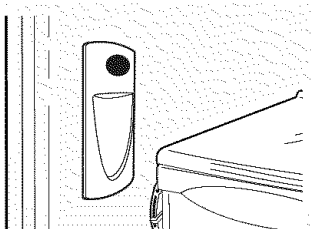
Le distributeur d'eau est situé sur la paroi gauche à l'intérieur du compartiment réfrigérateur.

**Pour distribuer de l'eau :**

- 1 Placez le verre dans le renforcement.
- 2 Poussez sur le bouton du distributeur d'eau.
- 3 Tenez le verre sous le distributeur pendant 2 à 3 secondes après le relâchement du bouton, puisque l'écoulement de l'eau peut se poursuivre quelque peu.

*S'il n'y a pas d'eau distribuée lorsque le réfrigérateur est initialement installé, il y a peut-être de l'air dans la conduite d'eau. Appuyez sur le bouton de distribution pendant deux minutes au minimum pour expulser l'air de la conduite d'eau et remplir le réservoir d'eau. Lors de cette manœuvre, le distributeur peut émettre un bruit surprenant à mesure que l'air est expulsé de la conduite d'eau. Afin d'éliminer les éventuelles impuretés provenant de la conduite d'eau, jetez les six premiers verres d'eau.*

**NOTE :** Pour prévenir les dépôts que laisse l'eau stagnante, nettoyez le distributeur en l'essuyant régulièrement à l'aide d'un chiffon ou d'une éponge propres.



## Entretien et nettoyage de votre réfrigérateur.

### Nettoyage de l'extérieur

#### **Les poignées de porte et les garnitures.**

Nettoyez avec un linge trempé dans de l'eau savonneuse. Séchez avec un linge doux. N'appliquez pas de cire sur les poignées et les garnitures de porte.

**Conservez l'extérieur propre.** Essuyez avec un linge propre légèrement humecté de cire à appareil électroménager ou de détergent liquide à vaisselle doux. Séchez et polissez avec un linge doux, propre.

*N'essayez jamais votre réfrigérateur avec un torchon sale ou une serviette mouillée. Cela peut laisser un résidu qui risque d'endommager la peinture.*

*N'utilisez jamais de tampon à récurer, de nettoyant en poudre, d'eau de javel ou de produit nettoyant contenant un agent de blanchiment, car ces produits peuvent rayer et endommager la peinture.*

**Vous pouvez nettoyer les panneaux et les poignées de porte en acier inoxydable** (sur certains modèles) avec un nettoyant d'acier inoxydable vendu sur le marché. Il vaut mieux utiliser un produit de nettoyage vaporisé pour acier inoxydable.

N'utilisez pas de cire pour appareils ménagers sur l'acier inoxydable.

#### **Pièces en matière plastique plaquée argent.**

Lavez ces pièces avec du savon ou un autre détergent doux. Essuyez avec une éponge, un linge humide ou une serviette en papier.

Ne frottez jamais avec des tampons en laine d'acier ou d'autres nettoyants abrasifs.

### Nettoyage de l'intérieur

**Pour aider à empêcher les odeurs**, laissez une boîte ouverte de bicarbonate de soude dans les compartiments réfrigération et congélation.

**Débranchez votre réfrigérateur avant de le nettoyer.** Si ce n'est pas pratique, enlevez toute humidité au moyen d'une éponge ou d'un chiffon pour nettoyer autour des commutateurs, des lumières ou des réglages.

Utilisez une cire pour appareils électroménagers sur la surface intérieure entre les portes.

Utilisez une solution d'eau chaude et de bicarbonate de soude (15 ml [soit une cuillère à soupe environ] de bicarbonate de soude dans 1 litre [soit une pinte] d'eau). Cette solution nettoie tout en neutralisant les odeurs. Rincez et séchez en essuyant.

Après avoir nettoyé les joints de porte, appliquez une fine couche de vaseline sur les joints du côté des charnières pour empêcher les joints de coller et de se déformer.

*Évitez de nettoyer les clayettes froides en verre à l'eau chaude, parce qu'elles risquent de se casser à cause de la grande différence de températures. Manipulez avec soins le verre. Vous pouvez briser en éclats le verre trempé en le heurtant.*

*Ne lavez aucune pièce en matière plastique de votre réfrigérateur dans votre machine à laver la vaisselle.*

#### **Pièces en matière plastique plaquée argent.**

Lavez ces pièces dans de l'eau savonneuse. Essuyez avec une éponge, un linge humide ou une serviette en papier.

Ne frottez jamais avec des tampons en laine d'acier ou d'autres nettoyants abrasifs.



### **Derrière le réfrigérateur**

Prenez un soin particulier lorsque vous éloignez le réfrigérateur du mur. Tous les types de revêtements de sol peuvent être endommagés, particulièrement ceux qui sont coussinés ou dont la surface est gaufrée.

Soulevez les pieds d'inclinaison situés en bas à l'avant de votre réfrigérateur.

Tirez le réfrigérateur en ligne droite et, lorsque vous le remettez en place, poussez-le vers le mur en ligne droite. Les déplacements latéraux du réfrigérateur

pourraient endommager le revêtement de sol ou le réfrigérateur.

Abaissez les pieds d'inclinaison jusqu'à ce qu'ils touchent le sol.

*Lorsque vous remettez le réfrigérateur en place en le poussant, veillez à ne pas le faire rouler sur le cordon d'alimentation ou sur la conduite d'eau de la machine à glaçons (sur certains modèles) et assurez-vous que le support du mécanisme anti-basculement soit engagé (si votre réfrigérateur est ainsi équipé).*

### **Départ en vacances**

Lorsque vous vous absentez pendant une période prolongée, videz et débranchez le réfrigérateur. Nettoyez l'intérieur avec une solution d'eau et de bicarbonate de soude, à raison 15 ml (d'une cuillère à soupe) de bicarbonate par litre (1 pinte) d'eau. Laissez les portes ouvertes.

Mettez l'interrupteur d'alimentation de la machine à glaçons à la position **0 (arrêt)** et fermez l'alimentation d'eau au réfrigérateur.

Si la température risque de descendre sous le point de congélation, demandez à un réparateur de vidanger la conduite d'eau afin d'éviter les dégâts sérieux causés par les inondations.

### **Déménagement**

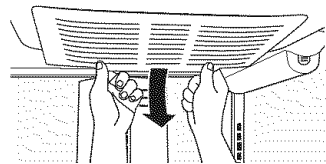
Immobilisez tous les éléments amovibles, tels que les clayettes et les bacs, à l'aide de ruban gommé pour éviter de les endommager.

Si vous utilisez un charriot pour déménager le réfrigérateur, ne laissez jamais le devant ou le derrière du réfrigérateur reposer contre le charriot. Cela pourrait endommager le réfrigérateur. Ne transportez le réfrigérateur que par les côtés.

*Assurez-vous que le réfrigérateur demeure debout pendant son déménagement.*

## Remplacement des ampoules.

Lorsque vous réglez les commandes sur **0 (OFF)** (Arrêt), l'alimentation électrique de l'ampoule n'est pas coupée.



### Lumières du compartiment réfrigération (sur certains modèles)

#### **⚠ MISE EN GARDE :**

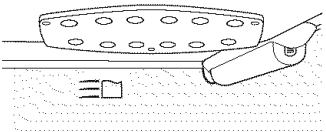
Les ampoules électriques peuvent être brûlantes.

- 1 Débranchez le réfrigérateur.
- 2 Pour enlever le pare-lumière, saisissez l'arrière de le pare-lumière et tirez-le pour le libérer de ses taquets à l'arrière.
- 3 Faites tourner le pare-lumière vers le bas, puis tirez pour libérer les taquets à l'avant de le pare-lumière.

- 4 Après avoir remplacé l'ampoule par une ampoule d'appareil électroménager de même voltage ou d'un voltage plus bas, remettez en place le pare-lumière.

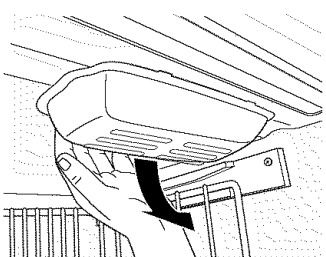
- 5 Rebranchez le réfrigérateur.

**NOTE :** Vous pouvez commander des ampoules pour appareils électroménagers en téléphonant au service de pièces et accessoires GE, au 1.888.261.3055.



### Lumières LED du compartiment réfrigération (sur certains modèles)

Un technicien agréé devra remplacer l'éclairage à diode.



L'apparence peut varier

### Lumière du compartiment congélation

#### **⚠ MISE EN GARDE :**

Les ampoules électriques peuvent être brûlantes.

- 1 Débranchez le réfrigérateur.
- 2 L'ampoule est située en haut du compartiment congélation à l'intérieur d'un pare-lumière. Pour enlever le pare-lumière, saisissez l'arrière de le pare-lumière et tirez-le pour le libérer de ses taquets à l'arrière.
- 3 Faites tourner le pare-lumière vers le bas, puis tirez pour libérer les taquets à l'avant de le pare-lumière.

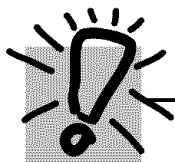
- 4 Après avoir remplacé l'ampoule par une ampoule d'appareil électroménager de même voltage ou d'un voltage plus bas, remettez en place le pare-lumière.

- 5 Rebranchez le réfrigérateur.

# Ensembles de moulures et de panneaux décoratifs.

Pour les modèles nécessitant un panneau

**Veuillez lire toutes les directives attentivement.**



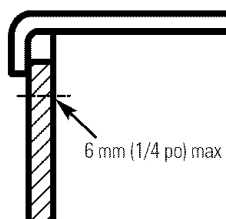
## Avant de commencer

Certains modèles sont munis de garnitures qui vous permettent de monter des panneaux de porte. Vous pouvez commander des panneaux décoratifs prédécoupés blancs ou noirs au service de pièces et accessoires GE, en téléphonant au 888.261.3055 ou vous pouvez ajouter des panneaux en bois allant avec les armoires de votre cuisinière.

### Panneaux de moins de 6 mm (1/4 po) d'épaisseur

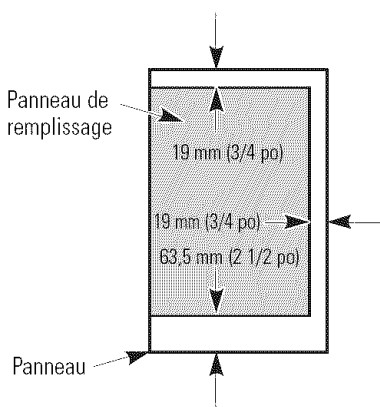
Lorsque vous installez des panneaux en bois de moins de 6 mm (1/4 po), vous aurez besoin d'un panneau de remplissage entre la porte et le panneau en bois, comme par exemple un carton de 3 mm (1/8 po) d'épaisseur. Si vous installez un panneau décoratif pré-coupé, un panneau de remplissage pré-coupé est fourni dans la trousse. L'épaisseur totale du panneau décoratif ou de bois avec le panneau de remplissage doit être de 8,7 mm (11/32 po), avec le panneau lui-même pas plus épais que 6 mm (1/4 po).

Les panneaux qui ont moins de 6 mm (1/4 po)

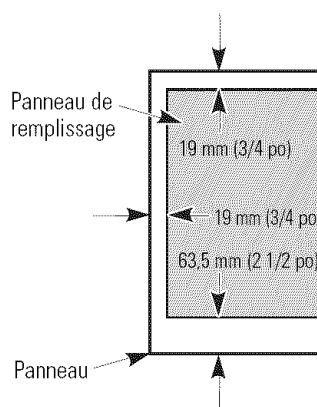


La poignée et la moulure du haut et du bas se trouvent devant à la surface de la porte, ce qui nécessite un panneau de remplissage d'une longueur et d'une largeur plus petites que celles du panneau. Utilisez les directives suivantes et collez le panneau de remplissage au moyen de ruban adhésif à l'arrière du panneau.

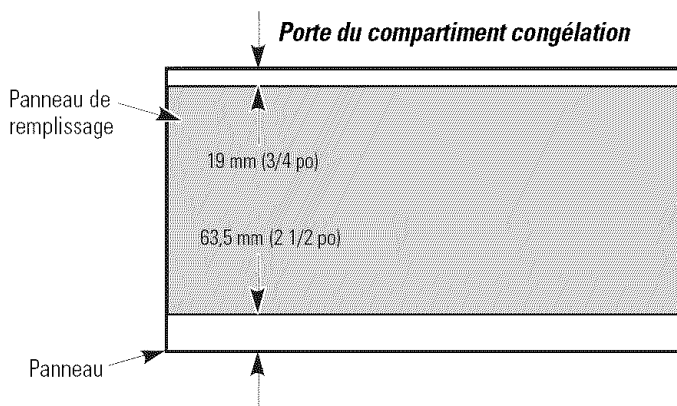
#### Porte de gauche du compartiment réfrigération



#### Porte de droite du compartiment réfrigération



#### Porte du compartiment congélation



# Ensembles de moulures et de panneaux décoratifs.

## Panneaux de 19 mm (3/4 po) ou en relief

Vous pouvez utiliser un motif de panneau en relief vissé ou collé à un panneau épais de 6 mm (1/4 po) ou un panneau toupillé de 19 mm (3/4 po). La partie en relief du panneau doit être fabriquée de manière à laisser un espace libre d'au moins 5,1 cm (2 po) du côté de la poignée pour permettre aux doigts d'entrer.

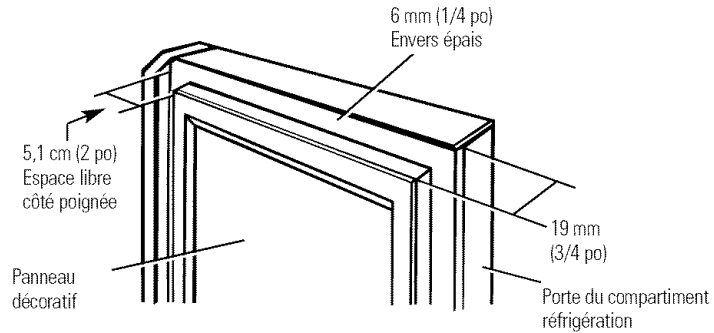
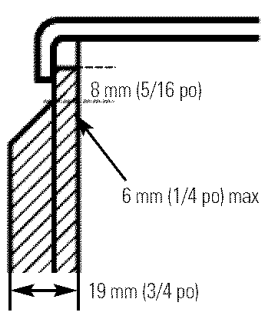
Les panneaux plus épais que 6 mm (1/4 po), pouvant aller jusqu'à un maximum de 19 mm (3/4 po) nécessiteront que le périmètre extérieur du panneau de 8 mm (5/16 po) ne soit pas plus épais que 6 mm (1/4 po).

Limites de poids pour les panneaux sur mesure :

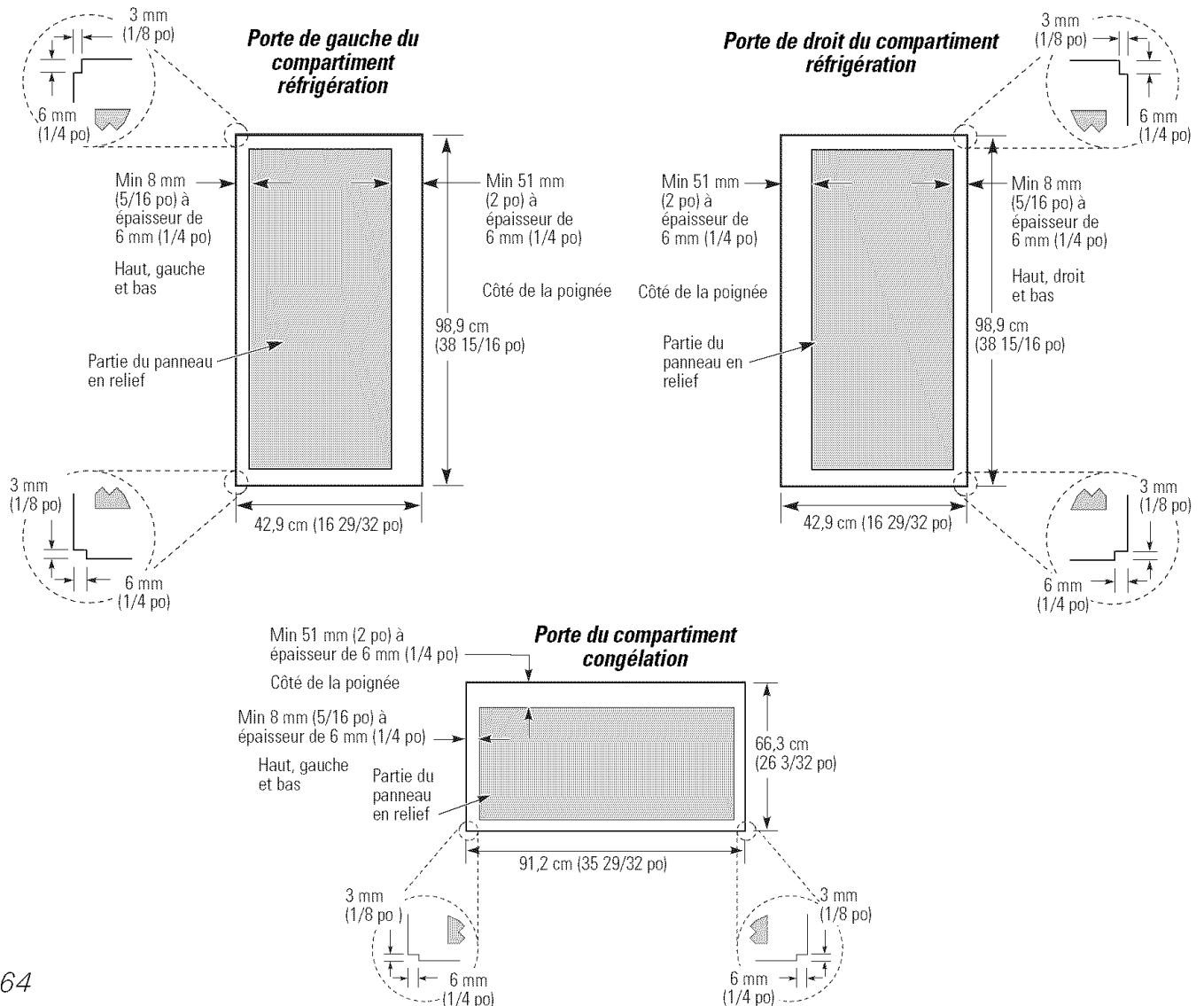
Compartment réfrigération max. 4,5 kg (10 lbs) pour chaque porte

Compartment congélation max. 8 kg (18 lbs).

Panneaux plus épais que 6 mm (1/4 po)



## Dimensions pour les panneaux en bois sur mesure



# Instructions d'installation

# Réfrigérateur

Modèles 21 et 25

Questions? Appelez le 1.800.561.3344 ou Visitez notre site Web à l'adresse : [www.electromenagersge.ca](http://www.electromenagersge.ca)

## AVANT DE COMMENCER

**Veillez lire toutes les directives attentivement.**

- **IMPORTANT** — Conservez ces instructions pour l'inspecteur local.
- **IMPORTANT** — Respectez toutes les ordonnances et les codes locaux.
- **Note à l'installateur** – Assurez-vous de laisser ces instructions au consommateur.
- **Note au consommateur** – Conservez ces instructions pour référence future.
- **Niveau de compétence** – L'installation de cet appareil nécessite des compétences mécaniques de base.
- **Temps d'installation** – Installation du réfrigérateur  
20 minutes  
Installation de la conduite d'eau  
30 minutes  
Installation du support du mécanisme anti-basculement  
20 minutes
- L'installateur est responsable de bien installer ce réfrigérateur.
- Toute panne du produit due à une mauvaise installation n'est pas couverte par la garantie.

## PRÉPARATION

### DÉPLACEMENT DU RÉFRIGÉRATEUR À L'INTÉRIEUR DE LA MAISON

**Si le réfrigérateur ne peut pas passer par la porte, vous pouvez enlever la porte du compartiment réfrigération et le tiroir du compartiment congélation.**

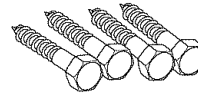
- Pour enlever la porte du compartiment réfrigération, consultez l'étape 1 de la section *Changement de sens d'ouverture de la porte*.
- Pour enlever le tiroir du compartiment congélation, consultez la section *Enlèvement du tiroir du compartiment congélation*.

## PRÉPARATION (suite)

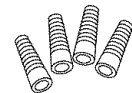
### ALIMENTATION D'EAU DE LA MACHINE À GLAÇONS ET DU DISTRIBUTEUR (SUR CERTAINS MODÈLES)

Si votre réfrigérateur est doté d'une machine à glaçons, la machine à glaçons doit être raccordée à une conduite d'eau froide. Vous pouvez acheter une trousse d'alimentation d'eau GE (contenant la tuyauterie, le robinet d'arrêt, les joints et les instructions) chez votre revendeur ou en vous adressant à notre site Web à l'adresse [www.electromenagersge.ca](http://www.electromenagersge.ca) ou à notre service de Pièces et accessoires au numéro de téléphone 1.888.261.3055.

## MATÉRIAUX DONT VOUS POUVEZ AVOIR BESOIN (con compris)



Tire-fonds



Manchons d'ancrage

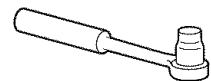
Mèches de perceuse qui conviennent aux manchons d'ancrage

Pour le support de mécanisme anti-basculement monté sur les sols en CIMENT uniquement

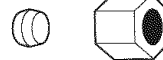
## OUTILS DONT VOUS POUVEZ AVOIR BESOIN



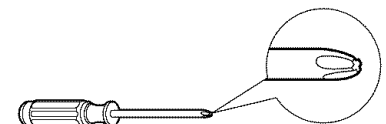
Clé réglable



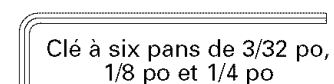
Tournevis à cliquet de 3/8 po et de 5/16 po



Écrou à compression d'un diamètre extérieur de 1/4 po et bague (modèles avec machine à glaçons seulement)



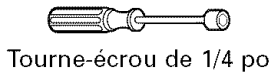
Tournevis cruciforme



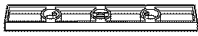
Clé à six pans de 3/32 po, 1/8 po et 1/4 po

# Instructions d'installation

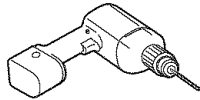
## OUTILS DONT VOUS POUVEZ AVOIR BESOIN (SUITE)



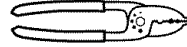
Tourne-écrou de 1/4 po



Niveau



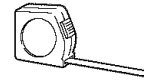
Perceuse à main ou électrique et mèche de 1/8 po



Cisaille



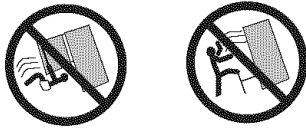
Crayon



Mètre

## INSTALLATION DU SUPPORT DE SOL DU MÉCANISME ANTI-BASCULEMENT (sur les modèles de 21 pi)

### ⚠ AVERTISSEMENT



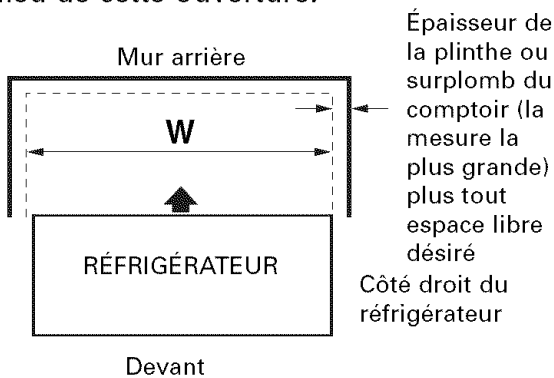
Dans certaines conditions, ce réfrigérateur peut basculer vers l'avant.

Cela peut entraîner des blessures corporelles. Installez le support anti-basculement emballé avec votre réfrigérateur.

### 1 MESUREZ L'OUVERTURE DISPONIBLE DANS L'ARMOIRE ET COMPAREZ CETTE MESURE À LA LARGEUR DU RÉFRIGÉRATEUR

Mesurez W, la largeur de l'ouverture de l'armoire dans laquelle vous voulez mettre votre réfrigérateur.

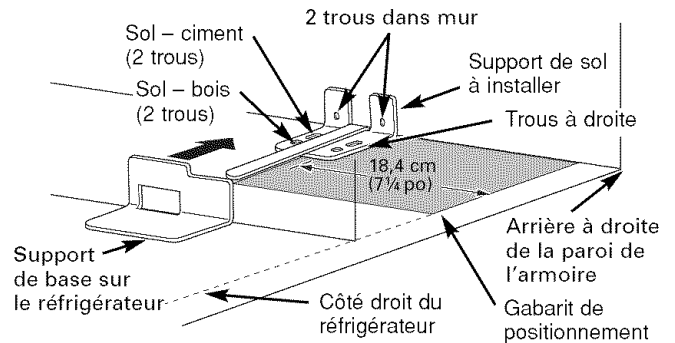
Assurez-vous de tenir compte de tout surplomb du comptoir, de l'épaisseur de la plinthe et de tout espace libre désiré. La largeur W doit être supérieure à 91,4 cm (36 pouces). Vous devez placer le réfrigérateur approximativement au milieu de cette ouverture.



### 2 POSITIONNEMENT DU SUPPORT DE SOL ANTI-BASCULEMENT

- A** Placez le gabarit de positionnement du support de sol anti-basculement (compris à l'intérieur de la trousse anti-basculement), sur le sol contre le mur arrière, à l'intérieur de W, et en ligne avec l'emplacement désiré du côté droit du réfrigérateur (voir Figure 1).

Figure 1 – Vue d'ensemble de l'installation



- B** Placez le support de sol anti-basculement dans le gabarit de positionnement avec ses trous au sol de droite alignés aux trous au sol indiqués sur le gabarit, à approximativement 18,4 cm (7 1/4 po) de l'extrémité du gabarit ou du côté droit du réfrigérateur.

- C** Tenez en position et utilisez le support de sol anti-basculement comme gabarit pour marquer les trous en vous basant sur votre configuration et la catégorie de construction indiquée dans l'étape 3. Marquez l'emplacement des trous avec un crayon, un clou ou un poinçon.

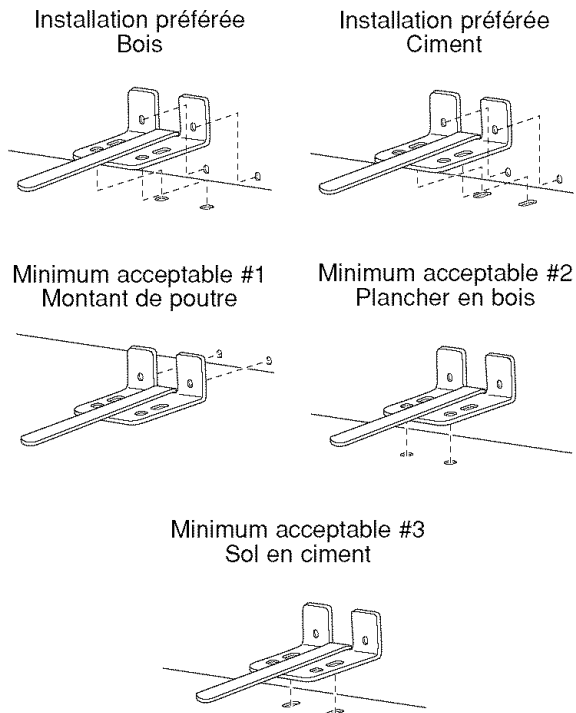
#### NOTE :

- Vous devez obligatoirement utiliser au moins 2 vis pour monter le support de sol (une de chaque côté du support de sol anti-basculement). Les deux doivent entrer dans le mur ou dans le sol. La figure 2 indique toutes les configurations de montage acceptables pour ces vis. Trouvez les trous de vis sur le support de sol anti-basculement.

# Instructions d'installation

## 2 POSITIONNEMENT DU SUPPORT DE SOL ANTI-BASCULEMENT (suite)

Figure 2 – Emplacement acceptable des vis



### B Construction de mur et sol en CIMENT :

- Manchons d'ancrage requis (non fournis)  
4 tire-fonds 1/4 po x 1 1/2 po  
4 manchons d'ancrage DE 1/2 po
- Percez les trous de taille recommandée pour les manchons d'ancrage dans le ciment au centre des trous marqués dans l'étape 2.
- Placez les manchons d'ancrage dans les trous percés. Placez le support de sol anti-basculé comme l'indique l'étape 2. Enlevez le gabarit de positionnement du sol.
- Installez les tire-fonds en les faisant passer par le support de sol anti-basculé et vissez bien.

### C Construction de murs en BOIS et sol en CARREAUX :

- Pour cette configuration spéciale, trouvez les deux trous au mur indiqués à la figure 1. Percez diagonalement un trou de guidage de 1/8 po (approximativement comme l'indique la figure 3) au centre de chaque trou.
- Montez le support de sol anti-basculé en utilisant l'installation minimum acceptable #1 comme l'indique la figure 2.

## 4 POSITIONNEMENT DU RÉFRIGÉRATEUR POUR ENTRER DANS LES SUPPORTS DE SOL ET DE BASE ANTI-BASCULEMENT

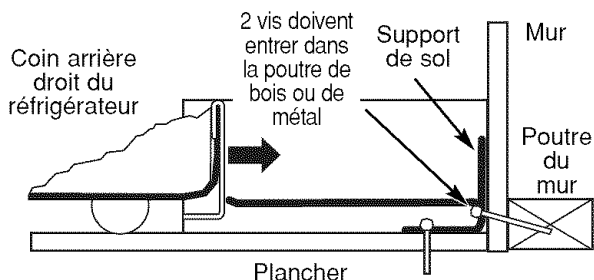
- A** Avant de pousser le réfrigérateur dans l'ouverture, branchez le cordon d'alimentation dans la prise murale et branchez la conduite d'eau (si votre réfrigérateur est ainsi équipé). Vérifiez qu'il n'y a pas de fuite.
- B** Trouvez le côté droit du réfrigérateur et faites le reculer approximativement en ligne avec le côté droit de l'ouverture de l'armoire, W. Cela devrait mettre le support de sol anti-basculé en position pour entrer dans le support de base anti-basculé du réfrigérateur.
- C** Faites reculer le réfrigérateur en le roulant doucement dans l'ouverture de l'armoire jusqu'à ce qu'il s'arrête complètement. Vérifiez que l'avant du réfrigérateur soit bien aligné à l'avant de l'armoire. Autrement, balancez doucement le réfrigérateur de l'avant à l'arrière jusqu'à ce qu'il bouge et que vous trouvez qu'il est bien poussé contre le mur arrière.
- D** EN OPTION : Réglez la hauteur des roulettes arrière (et avant) de manière à faire entrer complètement les supports anti-basculé, tout en alignant l'avant du réfrigérateur à l'avant de l'armoire.

## 3 INSTALLATION DU SUPPORT ANTI-BASCULEMENT

### A Construction de mur et plancher en bois

- Percez le nombre approprié de trous de guidage de 1/8 po au centre de chaque trou du support de sol utilisé (vous pouvez utiliser un clou ou un poinçon si vous n'avez pas de perceuse ET enlevez le gabarit du sol).
- Montez le support de sol anti-basculé en vissant les deux, ou de préférence 4, vis à tête hexagonale #10-16 et en les serrant bien en place comme le montre la figure 3.

Figure 3 – Fixation au mur et sol



### NOTE :

Si vous faites sortir le réfrigérateur en le tirant et l'écartez du mur pour une raison quelconque, assurez-vous de bien faire entrer le support de sol anti-basculé quand vous repoussez le réfrigérateur contre le mur arrière.

# Instructions d'installation

## INSTALLATION DU RÉFRIGÉRATEUR

### EMPLACEMENT DU RÉFRIGÉRATEUR

- N'installez jamais votre réfrigérateur dans un emplacement où la température ambiante sera inférieure à 16° C (60° F). Il ne se mettra pas en marche suffisamment souvent pour maintenir des températures convenables.
- N'installez jamais votre réfrigérateur dans un emplacement où la température ambiante sera supérieure à 37° C (100° F). Il ne fonctionnera pas bien.
- Installez votre réfrigérateur sur un plancher suffisamment solide pour le porter lorsqu'il est plein.

### DÉGAGEMENTS

Prévoyez les dégagements suivants pour faciliter l'installation, la bonne circulation d'air et les raccordements de plomberie et d'électricité :

|         | Modèles de<br>profondeur normale | Modèles de<br>profondeur d'armoire |
|---------|----------------------------------|------------------------------------|
| Côtés   | 3 mm (1/8 po)                    | 3 mm (1/8 po)                      |
| Dessus  | 25 mm (1 po)                     | 25 mm (1 po)                       |
| Arrière | 25 mm (1 po)                     | 13 mm (1/2 po)                     |

### ENLEVEZ LE CAPUCHON DU HAUT (sur certains modèles)

- **NOTE IMPORTANTE :** Ce réfrigérateur a une profondeur de 34-1/2 po. Les portes et les passages qui mènent à l'endroit où vous désirez l'installer doivent avoir une largeur du moins de 36 po., pour permettre de transporter le réfrigérateur jusqu'à cet endroit sans être obligé d'enlever les portes et les poignées. Si le passage a moins que 36 po. de largeur, vous risquez vraiment de rayer et d'endommager les portes et les poignées de votre réfrigérateur. Vous pouvez enlever facilement le capuchon du haut et les portes pour déplacer plus aisément le réfrigérateur chez vous. Commencez par l'étape A.
- Si vous n'avez pas à enlever les portes, passez directement à l'étape B. Laissez le ruban et tous les matériaux d'emballage sur les portes, jusqu'à ce que vous ayez déménagé le réfrigérateur dans son emplacement final.
- **ENLÈVEMENT DU PATIN DE GLISSEMENT :** Faites basculer le réfrigérateur de chaque côté pour enlever le patin de glissement.
- **NOTE :** Utilisez un chariot manuel rembourré pour déplacer le réfrigérateur. Placez le réfrigérateur sur le chariot manuel avec un côté contre le chariot. Nous vous recommandons vivement d'utiliser **DEUX PERSONNES** pour déplacer le réfrigérateur et l'installer.

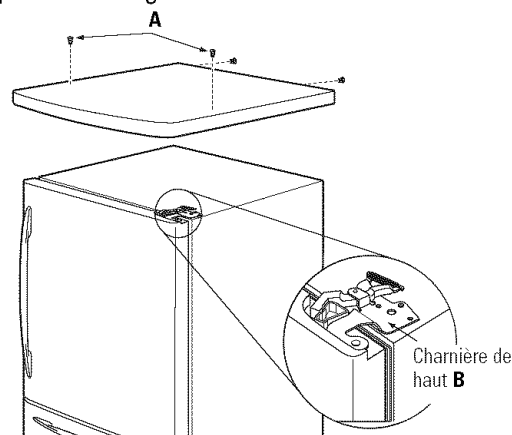
**A** Trouvez et enlevez les deux vis à tête Phillips situées en haut du réfrigérateur. Enlevez les deux vis situées de chaque côté à l'arrière du capuchon du haut. Soulevez et enlevez le capuchon du haut.

**B** Enlevez la porte du compartiment aliments frais. Consultez les étapes 1 à 3 de la section « Changement du sens d'ouverture des portes ».

### ENLEVEZ LE CAPUCHON DU HAUT (suite) (sur certains modèles)

#### REMETTEZ EN PLACE LES PORTES, LES TIROIRS ET LE CAPUCHON DU HAUT

- C** Enlevez le tiroir du compartiment congélation du bas. Consultez la section « Enlèvement du tiroir du compartiment congélation ».
- D** Amenez le réfrigérateur jusqu'à l'emplacement où vous désirez l'installer.
- E** Abaissez soigneusement la porte dans la charnière centrale. Remettez en place la charnière du haut.  
**NOTE :** Veillez à ce que la porte soit bien alignée au sommet de l'armoire pour éviter de la réajuster pendant la remise en place du capuchon du haut.
- F** Placez le capuchon en haut du réfrigérateur. Remettez en place les vis que vous avez enlevées en haut et à l'arrière de la porte.
- G** Remettez en place le tiroir du compartiment congélation du bas. Consultez la section « Remise en place du tiroir du compartiment congélation ».



### 1 BRANCHEMENT DU RÉFRIGÉRATEUR À LA CONDUITE D'EAU DE LA MAISON (modèles avec machine à glaçons et distributeur)

Une alimentation d'eau froide est requise pour faire fonctionner la machine à glaçons. Vous devrez en fournir une si elle n'existe pas. Voir la section *Installation de la conduite d'eau*.

#### NOTES :

- Avant de brancher la conduite au réfrigérateur, assurez-vous que le cordon d'alimentation électrique n'est pas branché à la prise murale.
- Si votre réfrigérateur n'est pas équipé de filtre à eau, nous recommandons d'en monter un si votre alimentation d'eau contient du sable ou des particules qui peuvent boucher la grille du robinet d'eau du réfrigérateur. Installez-le sur la conduite d'eau près du réfrigérateur. Si vous utilisez une trousse GE SmartConnect™ Refrigerator Tubing, vous aurez besoin d'un tuyau additionnel (WX08X10002) pour brancher le filtre. Ne coupez pas le tuyau de plastique pour installer le filtre.



# Instructions d'installation

## 1 BRANCHEMENT DU RÉFRIGÉRATEUR À LA CONDUITE D'EAU DE LA MAISON (suite)

**A** Si vous utilisez un tuyau de cuivre, placez un écrou de compression et une bague (manchon) à l'extrémité du tuyau qui vient de l'alimentation d'eau froide de la maison.

Si vous utilisez un tuyau GE SmartConnect™, les écrous sont déjà assemblés au tuyau.

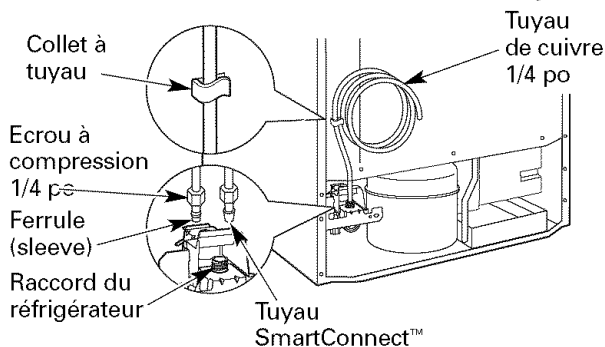
**B** Si vous utilisez un tuyau de cuivre, insérez aussi loin que possible l'extrémité du tuyau dans le raccord à l'arrière du réfrigérateur. Tout en tenant le tuyau, serrez le raccord.

Si vous utilisez un tuyau GE SmartConnect™, insérez l'extrémité moulée du tuyau dans le raccord à l'arrière du réfrigérateur, puis serrez l'écrou à compression à la main. Serrez ensuite un autre tour à l'aide d'une clé. Un serrage excessif pourrait occasionner des fuites.

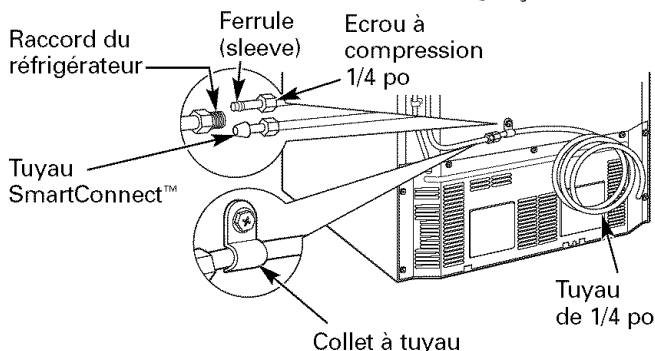
**C** Fixez le tuyau dans le collet (fourni) pour le maintenir en position. Il est possible que vous deviez écarter le collet.

L'une des illustrations ci-dessous représente le branchement de votre réfrigérateur.

### Modèles prêts à recevoir une machine à glaçons

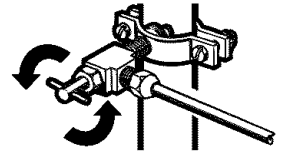


### Modèles dotés d'une machine à glaçons



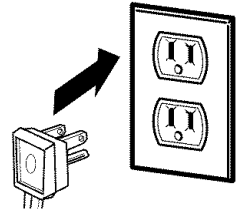
## 2 OUVREZ L'ALIMENTATION D'EAU (modèles avec machine à glaçons ou distributeur)

Ouvrez l'alimentation d'eau au niveau du robinet d'arrêt (l'alimentation d'eau de la maison) et vérifiez la présence de fuites.



## 3 BRANCHEZ LE CORDON DU RÉFRIGÉRATEUR DANS LA PRISE

Sur modèles avec machine à glaçons : avant de brancher le réfrigérateur, assurez-vous que l'interrupteur de la machine à glaçons est à la position **O** (arrêt).



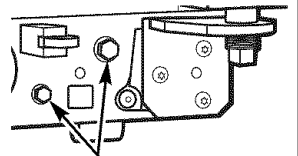
Lisez l'étiquette concernant la mise à la terre qui est attachée au cordon d'alimentation.

## 4 METTEZ LE RÉFRIGÉRATEUR EN PLACE

Transportez le réfrigérateur jusqu'à son emplacement final. Assurez-vous que l'arrière du réfrigérateur entre bien dans le support anti-basculement. Le support de sol anti-basculement doit s'aligner à la fente du bas du réfrigérateur et passer par la fente quand le réfrigérateur est poussé en position (consultez la page 66, étape 2A pour davantage de renseignements).

## 5 METTEZ LE RÉFRIGÉRATEUR DE NIVEAU

Tournez les vis de réglage des roulettes dans le sens des aiguilles d'une montre pour faire monter le réfrigérateur, dans le sens opposé à celui des aiguilles d'une montre pour le faire descendre.



Vis de réglage

Utilisez une clé hexagonale de 3/8 po avec extension ou une clé anglaise.

### Réglage des roulettes sur les modèles de profondeur d'armoire de 21' :

Ces modèles ont aussi des roulettes arrière réglables, pour vous permettre d'aligner le réfrigérateur aux armoires de cuisine. Utilisez une clé hexagonale de 3/8 po. avec extension pour tourner les vis pour les roulettes arrière, dans le sens des aiguilles d'une montre pour faire monter le réfrigérateur, dans le sens opposé à celui des aiguilles d'une montre pour le faire descendre.

# Instructions d'installation

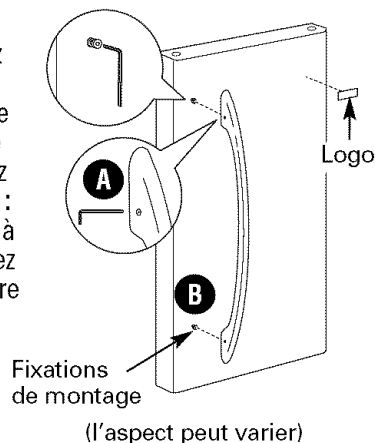
## INSTALLATION DU RÉFRIGÉRATEUR (SUITE)

### 6 ENLEVEZ LA POIGNÉE DE PORTE DU COMPARTIMENT POUR ALIMENTS FRAIS

(Pour placer dans l'emplacement de l'installation ou changer le sens d'ouverture des portes – sur certains modèles)

**Poignée en acier inoxydable (sur certains modèles) :**

- A** ENLÈVEMENT DE LA POIGNÉE DE PORTE : Desserrez les vis de l'ensemble à l'aide d'une clé Allen de 3/32 po. et enlevez la poignée. **NOTE** : Pour les modèles à deux portes, suivez la même procédure pour la porte opposée.

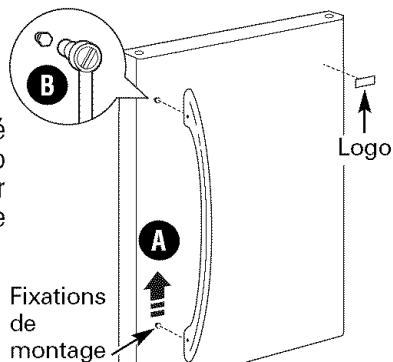


**Poignée en matière plastique (sur certains modèles) :**

- A** ENLÈVEMENT DE LA POIGNÉE DE PORTE : Appuyez sur le taquet situé à l'intérieur de la poignée et faites glisser la poignée vers le haut pour la faire sortir de la fixation de montage.

- B** CHANGEMENT DU SENS D'OUVERTURE DE LA POIGNÉE DE PORTE : (sur certains modèles)

- Enlevez les fixations de montage de la poignée à l'aide d'une clé Allen de 1/4 po et faites passer les fixations de montage de la poignée du côté gauche au côté droit.



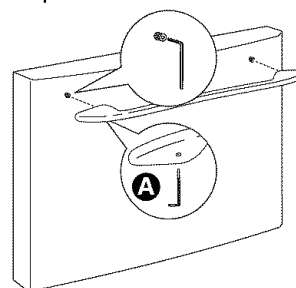
- Enlevez le logo.
- Enlevez et faites passer de l'autre côté le bouchon du côté droit au côté gauche de la porte du compartiment aliments frais. **NOTE** : Utilisez une lame en matière plastique pour éviter d'endommager la porte. Enlevez toute colle de la porte à l'aide d'un détergent doux. Enlevez le papier adhésif de l'arrière du logo avant de fixer le logo soigneusement à la porte.

### 7 ENLEVEZ LA POIGNÉE DE LA PORTE DU COMPARTIMENT CONGÉLATION

**Poignées en acier inoxydable et en matière plastique :**

- A** Desserrez les vis de l'ensemble situées en bas de la poignée à l'aide d'une clé Allen de 1/8 ou 3/32 po et enlevez la poignée.

**NOTE** : Si vous devez resserrer ou enlever les fixations de montage de la poignée, utilisez la clé Allen de 1/4 po.

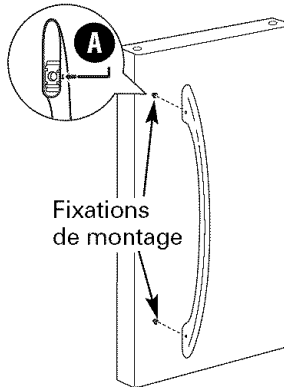


# Instructions d'installation

## 8 FIXEZ LA POIGNÉE DE LA PORTE DU COMPARTIMENT ALIMENTS FRAIS

**Poignée en acier inoxydable :**

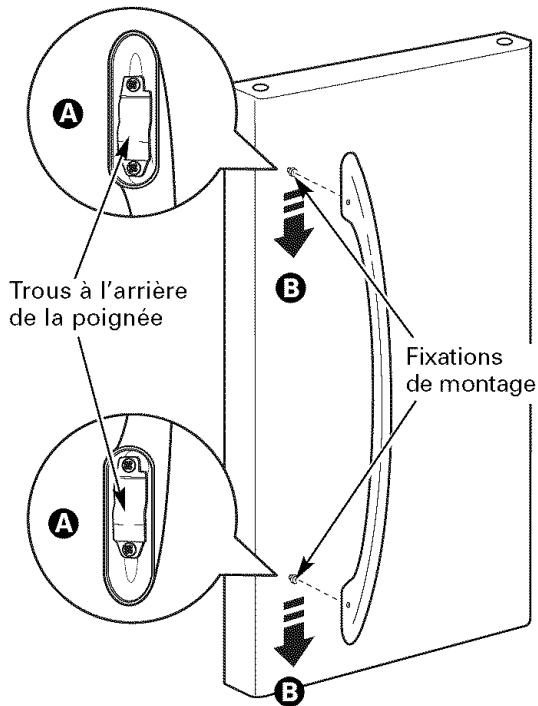
- A** Fixez la poignée aux fixations de montage de la poignée et resserrez les vis de l'ensemble à l'aide d'une clé Allen de 3/32 po.
- NOTE :** Pour les modèles à deux portes, suivez la même procédure pour la porte opposée.



(l'aspect peut varier)

**Poignée en matière plastique :**

- A** Fixez la poignée aux fixations de montage de la poignée en alignant les fentes aux fixations de montage de poignée.
- B** Faites glisser la poignée vers le bas jusqu'à ce qu'elle soit bien fixée en position.

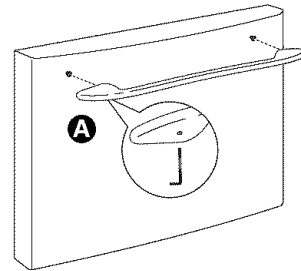


(l'aspect peut varier)

## 9 FIXEZ LA POIGNÉE DE LA PORTE DU COMPARTIMENT CONGÉLATION

**Poignées en acier inoxydable et en matière plastique :**

- A** Fixez bien la poignée aux fixations de montage de la poignée et resserrez les vis de l'ensemble situées en bas de la poignée à l'aide d'une clé Allen de 1/8 ou 3/32 po.



(l'aspect peut varier)

# Instructions d'installation

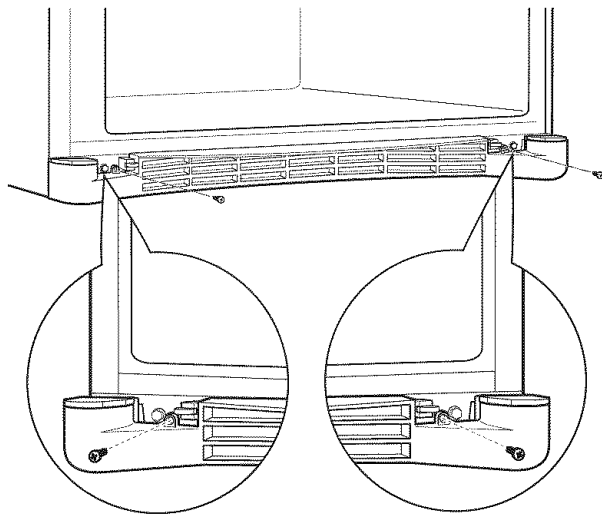
## INSTALLATION DU RÉFRIGÉRATEUR (SUITE)

### 10 METTEZ LE RÉFRIGÉRATEUR DE NIVEAU

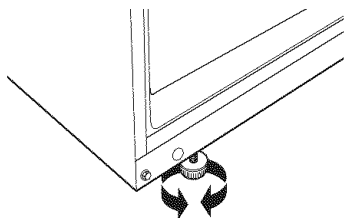
Les pieds de nivellement jouent deux rôles :

- 1) Elles peuvent être réglées de manière à permettre à l'appareil de reposer solidement sur le sol.
- 2) Les pieds de nivellement servent de frein de stabilisation, pour tenir le réfrigérateur bien en place pendant son fonctionnement et son nettoyage. Les pieds d'inclinaison empêchent également le réfrigérateur de basculer.

- A** Enlevez la grille en dévissant les deux vis à tête Phillips.



- B** Tournez les pieds dans le sens des aiguilles d'une montre pour faire monter le réfrigérateur, dans le sens opposé à celui des aiguilles d'une montre pour le faire descendre.

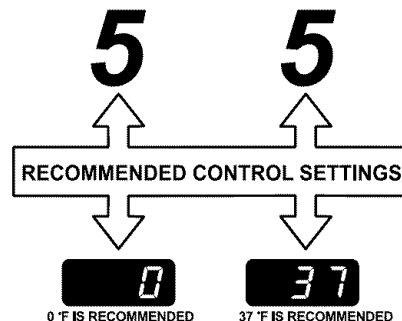


**⚠ PRÉCAUTION :** Pour éviter tous risques de blessures corporelles ou de dommages matériels, les pieds de nivellement doit bien reposer sur le plancher.

- C** Remettez la grille en remettant les deux vis à tête Phillips.

### 11 RÉGLEZ LES COMMANDES

Réglez les commandes selon les recommandations.

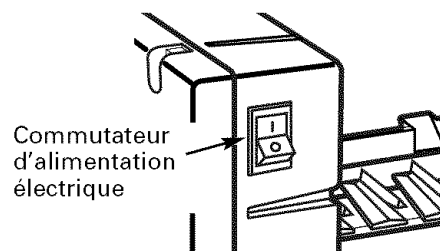


### 12 ENLEVEZ LES MATÉRIAUX D'EMBALLAGE ET METTEZ EN MARCHÉ LA MACHINE À GLAÇONS

(modèles avec machine à glaçons)

- A) Enlevez tous les matériaux d'emballage (rubans, mousse et autre protection) des clayettes et des tiroirs.
- B) Enlevez les arrimages des bacs du compartiment congélation.
- C) Placez le demi bac dans les rails à tiroir. Consultez les instructions de la section « Compartiment congélation ».

Mettez le commutateur de la machine à glaçons en position **I (marche)**. La machine à glaçons ne se met en marche que lorsqu'elle atteint une température de fonctionnement de  $-9^{\circ}\text{C}$  ( $15^{\circ}\text{F}$ ) ou moins. Elle commence immédiatement à fonctionner. Il faudra 2 à 3 jours pour remplir le bac à glaçons.



#### NOTE :

Si votre pression d'eau est trop faible, le robinet peut se remettre en marche jusqu'à trois fois pour envoyer suffisamment d'eau à la machine à glaçons.

# Instructions d'installation

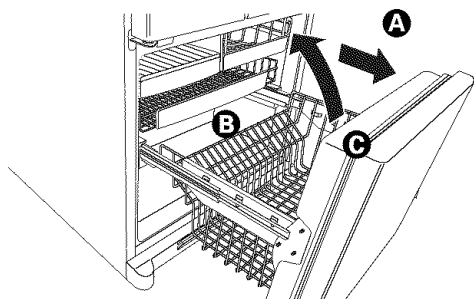
## ENLÈVEMENT DU TIROIR DU COMPARTIMENT CONGÉLATION (sur certains modèles)

Vous pouvez enlever le tiroir du compartiment congélation, si nécessaire, pour passer par des endroits étroits.

Lisez ces instructions avec soin et complètement.


### 1 ENLEVEZ LE PANIER

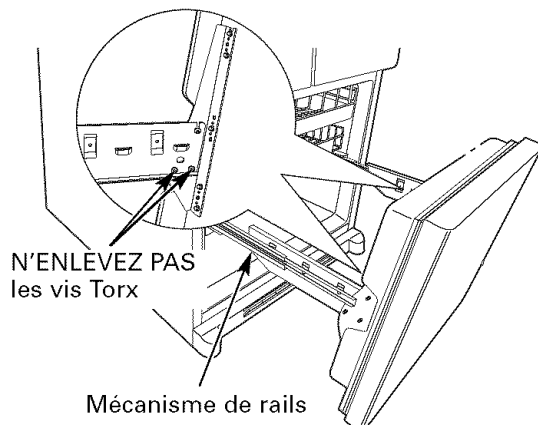
- A** Ouvrez le tiroir du compartiment congélation jusqu'à son arrêt complet.
- B** Enlevez les deux liens métalliques du panier en les coupant avec des cisailles.
- C** Le panier du compartiment congélation repose sur quatre taquets placés sur les guides du compartiment congélation. Enlevez le panier en le soulevant pour le faire sortir des taquets.
- D** Faites basculer l'avant du panier et soulevez l'ensemble du panier pour l'enlever et enlevez-le complètement.



### 2 ENLEVEZ L'AVANT DU TIROIR DES GUIDES

- A** Enlevez les dix vis à tête hexagonale de la porte et enlevez la porte.

 N'ENLEVEZ PAS les vis Torx des mécanismes de rail.



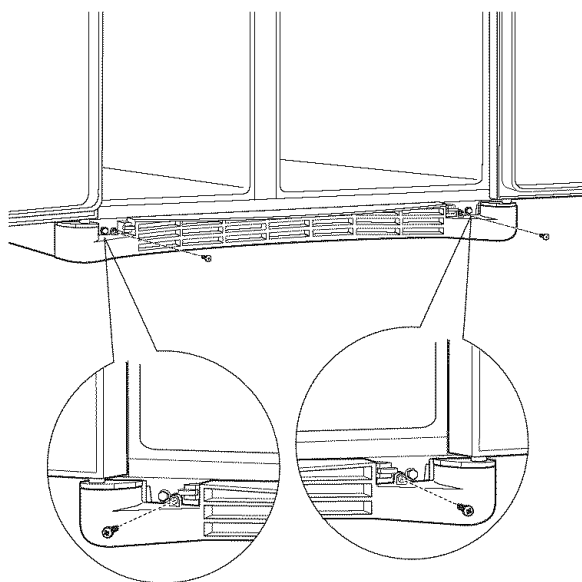
### 2 ENLEVEZ L'AVANT DU TIROIR DES GUIDES (suite)

- B** Posez l'avant du tiroir sur une surface qui ne raye pas.
- C** Poussez le mécanisme de rails dans le compartiment congélation.

### 3 ENLÈVEMENT LA GRILLE DE BASE (si nécessaire)

Si, après avoir enlevé le tiroir du compartiment congélation et la porte du compartiment réfrigération, le réfrigérateur ne peut toujours pas passer par une porte, vous pouvez enlever la grille de base.

- A** Enlevez la grille de base en dévissant les deux vis à tête Phillips.



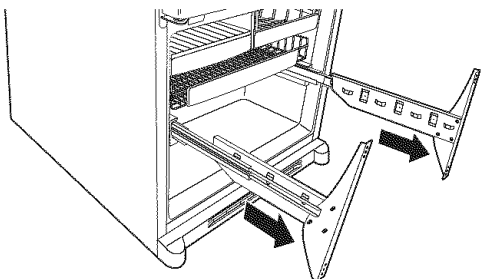
# Instructions d'installation

## REMISE EN PLACE DU TIROIR DU COMPARTIMENT CONGÉLATION (sur certains modèles)

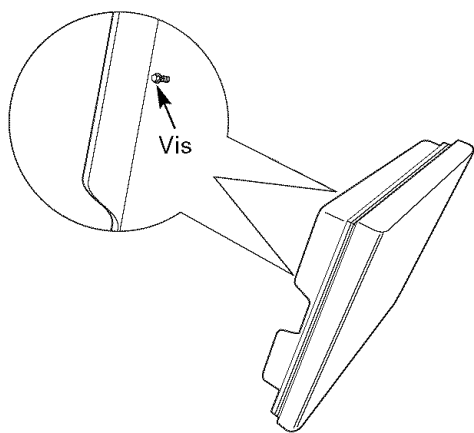
**I** Vous aurez peut-être besoin de deux personnes pour terminer cette procédure.

### **1** PLACEMENT ET FIXATION DE L'AVANT DU TIROIR AUX GUIDES

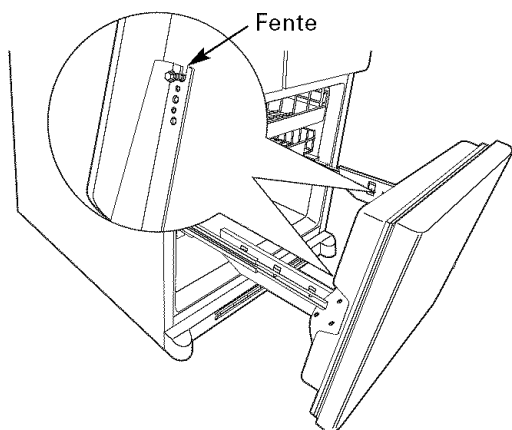
**A** Tirez les mécanismes de rail à fond de chaque côté de l'armoire.



**B** Vissez les vis du haut dans la porte de chaque côté jusqu'à ce qu'elles soient à moitié entrées.

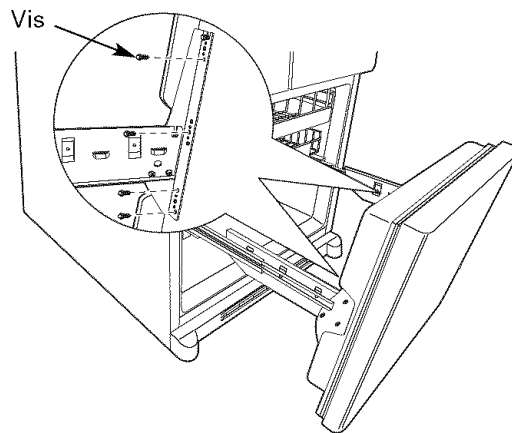


**C** Suspendez le devant du tiroir dans les fentes ouvertes sur les guides.



### **1** PLACEMENT ET FIXATION DE L'AVANT DU TIROIR AUX GUIDES (suite)

**D** Vissez complètement les vis (il y a 10 vis)



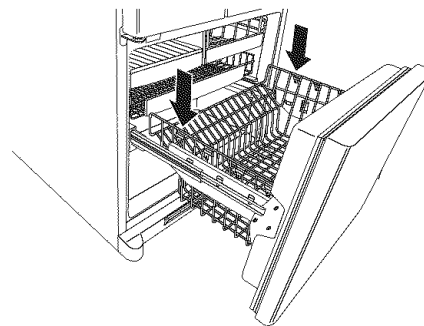
**Étape D2:**  
Vissez entièrement.

**Étape D3:**  
Vissez les vis dans ces trous.

**Étape D1:**  
Alignez le trou de vis dans le tiroir du compartiment congélation et vissez complètement.

### **2** REMISE EN PLACE DU PANIER DU COMPARTIMENT CONGÉLATION

Remettez en place le panier du bas du compartiment congélation en l'abaissant dans son cadre.



# Instructions d'installation

## CHANGEMENT DU SENS D'OUVERTURE DES PORTES (modèles de réfrigérateurs à une porte uniquement)

### NOTES IMPORTANTES

Pour changer le sens d'ouverture des portes :

**NOTE :** Vous ne pouvez pas changer le sens d'ouverture des portes sur les modèles en acier inoxydable.

- Lisez les instructions jusqu'à la fin avant de commencer.
- Les pièces sont comprises dans l'ensemble de charnière de porte.
- Manipulez les pièces avec soin pour éviter de rayer la peinture.
- Posez les vis près des pièces qu'elles fixent, pour éviter de les utiliser au mauvais endroit.
- Prévoyez une surface de travail qui ne raje pas les portes.

**IMPORTANT :** Une fois que vous aurez commencé, ne bougez plus l'armoire avant d'avoir fini de changer le sens d'ouverture des portes.

Ces instructions sont données pour faire passer à gauche les charnières situées du côté droit. Si vous voulez remettre les charnières à droite, suivez ces instructions en remplaçant toutes les références au côté gauche par des références au côté droit.

- Une fois que vous aurez changé le sens d'ouverture de la porte, assurez-vous que le logo soit bien aligné et bien fixé à la porte en enlevant le papier adhésif au verso. **NOTE :** A replacement logo badge is included in the hinge kit.

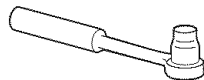
**Débranchez le réfrigérateur de sa prise électrique.**

**Videz toutes les clayettes de porte, y compris le compartiment laitier.**

### OUTILS NÉCESSAIRES



Clé réglable



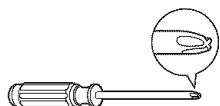
Tournevis à cliquet de 5/16 po



Ruban masque



Tournevis à lame mince



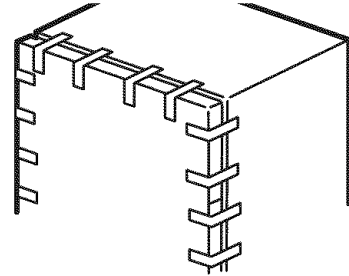
Tournevis cruciforme



Tournevis Torx T20

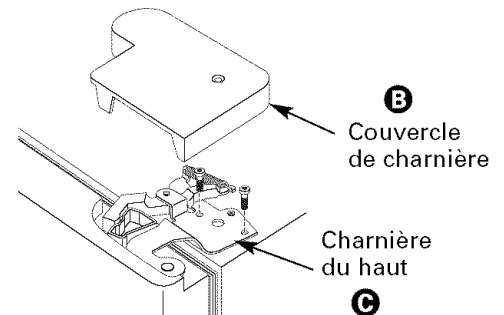
### 1 ENLÈVEMENT DE LA PORTE DU COMPARTIMENT RÉFRIGÉRATION

- A** Fermez la porte et attachez-la avec le ruban masque.

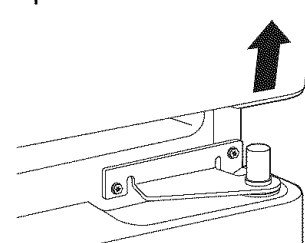


- B** Enlevez le couvercle de la charnière du haut de la porte du compartiment réfrigération en enlevant les vis à tête Phillips et en le tirant vers le haut.

- C** À l'aide d'un tournevis à cliquet de 5/16 po, enlevez les boulons qui fixent à l'armoire la charnière du haut. Ensuite, soulevez la charnière tout droit vers le haut pour libérer l'axe de la charnière du support situé en haut de la porte.



- D** Enlevez le ruban masque et écartez la porte de l'armoire en la soulevant. Enlevez la porte de l'axe de la charnière du centre. Assurez-vous que la bague de l'axe de charnière de plastique demeure sur l'axe de charnière ou à l'intérieur du trou de l'axe de charnière de la porte, situé en bas de la porte.



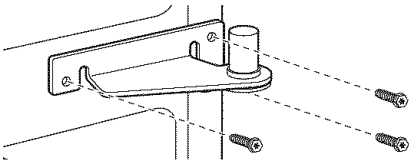
- E** Posez la porte sur une surface qui ne raje pas, avec l'intérieur vers le haut.

# Instructions d'installation

## CHANGEMENT DU SENS D'OUVERTURE DES PORTES (modèles de réfrigérateurs à une porte uniquement) (SUITE)

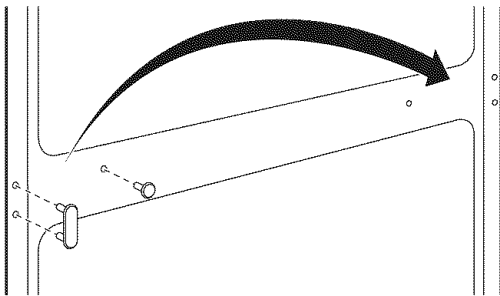
### 2 ENLÈVEMENT DE LA CHARNIÈRE DU CENTRE

À l'aide d'une clé à douille de 5/16 po, enlevez les boulons qui fixent la charnière centrale à l'armoire. Mettez de côté la charnière et les boulons.

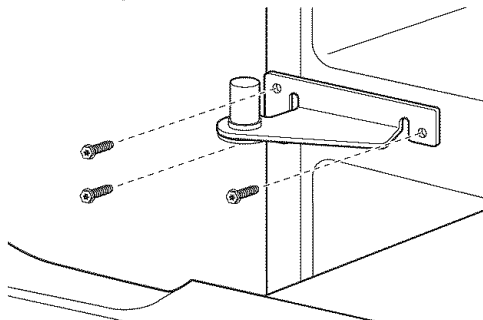


### 3 INSTALLATION DE LA CHARNIÈRE DU CENTRE

**A** Faites passer le bouton et le couvercle des trous de charnière du côté gauche au côté droit.



**B** Fixez la charnière centrale de l'ensemble du côté gauche.



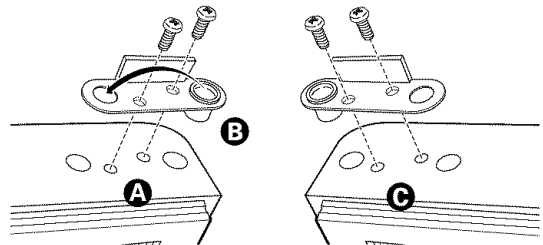
**NOTE** : Une nouvelle charnière sera requise pour le côté gauche (fournie dans l'ensemble de charnière de porte).

### 4 TRANSFERT DE L'ARRÊT DE LA PORTE DU COMPARTIMENT RÉFRIGÉRATION

**A** Enlevez l'arrêt de la porte situé en bas à droite de la porte du compartiment réfrigération en enlevant les deux vis.

**B** Faites passer la bague du trou de charnière en matière plastique dans le trou opposé.

**C** Installez l'arrêt de la porte à gauche, en vous assurant de bien aligner les trous de vis de l'arrêt de la porte aux trous du bas de la porte.



Bas de la porte  
du compartiment  
réfrigération  
(côté droit)

Bas de la porte du  
compartiment  
réfrigération  
(côté gauche)

### 5 TRANSFERT À DROITE DE LA POIGNÉE DE LA PORTE DU COMPARTIMENT RÉFRIGÉRATION

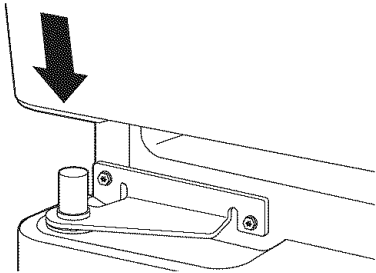
Consultez les sections Enlevez la poignée du compartiment aliments frais et Fixez la poignée du compartiment aliments frais pour des instructions.



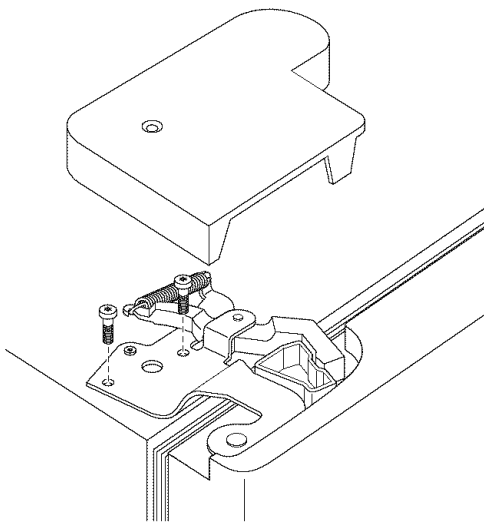
# Instructions d'installation

## 6 RE-SUSPENSION DE LA PORTE DU COMPARTIMENT RÉFRIGÉRATION

- A** Abaissez la porte du compartiment réfrigération sur l'axe de la charnière du centre. Assurez-vous que la bague en matière plastique de l'axe de charnière demeure sur l'axe de charnière du centre ou à l'intérieur du trou de l'axe de charnière de la porte, situé en bas de la porte.

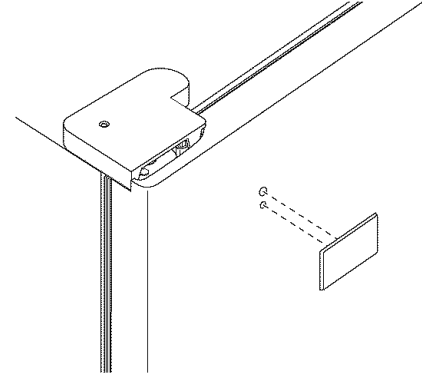


- B** Insérez l'axe de la charnière du centre dans le trou de la charnière en haut de la porte du compartiment réfrigération. Assurez-vous que la porte soit alignée à l'armoire. Fixez la charnière en haut de l'armoire, sans trop serrer, avec les boulons.
- C** Assurez-vous que le joint de la porte soit aligné contre l'armoire et ne soit pas tordu. Soutenez la porte du côté de la poignée et assurez-vous que la porte soit droite et l'écartement entre les portes soit uniforme à l'avant. Tout en tenant la porte en place, serrez les boulons de la charnière supérieure. Remettez en place le couvercle de charnière.



## 7 FIXEZ LE LOGO

Enlevez le papier adhésif protecteur et alignez les taquets de l'arrière du logo avec les trous de la porte. Faites pression sur le logo pour vous assurer qu'il colle bien à la porte.



# Instructions d'installation

## ENLÈVEMENT DES PORTES (modèles de réfrigérateurs à deux portes uniquement)

### NOTES IMPORTANTES

**NOTE :** Vous ne pouvez pas changer le sens d'ouverture des portes.

- Lisez les instructions jusqu'à la fin avant de commencer.
- Manipulez les pièces avec soin pour éviter de rayer la peinture.
- Posez les vis près des pièces qu'elles fixent, pour éviter de les utiliser au mauvais endroit.
- Prévoyez une surface de travail qui ne raye pas les portes.

**IMPORTANT :** Une fois que vous aurez commencé, ne bougez plus l'armoire.

Ces instructions servent à l'enlèvement des portes.

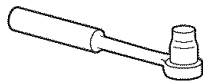
**Débranchez le réfrigérateur de sa prise électrique.**

**Videz toutes les clayettes de porte, y compris le compartiment laitier.**

### OUTILS NÉCESSAIRES



Clé réglable



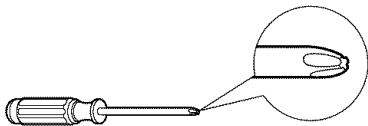
Tournevis à cliquet de 3/8 po et de 10 mm



Ruban masque



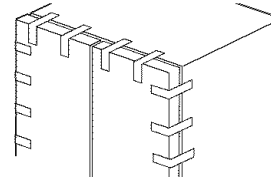
Tournevis à lame mince



Tournevis cruciforme

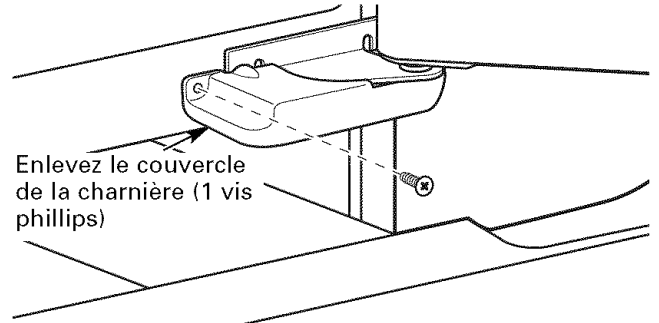
### 1 ENLÈVEMENT DES PORTES DU COMPARTIMENT RÉFRIGÉRATION

- A** Fermez les portes et attachez-les avec le ruban masque.



(Pour les modèles à distributeur d'eau)

- B** Commencez avec la porte de droite. Enlevez la vis qui tient le couvercle de la charnière du centre, soulevez le couvercle de la charnière du centre, soulevez le couvercle de la charnière et mettez-le en haut de côté du réfrigérateur.



Enlevez le couvercle de la charnière (1 vis phillips)

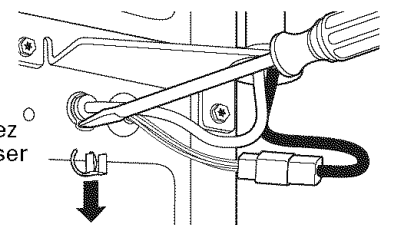
(Pour les modèles à distributeur d'eau)

- C** Enlevez les raccords d'eau et d'électricité.

**C1**

#### Raccord d'eau

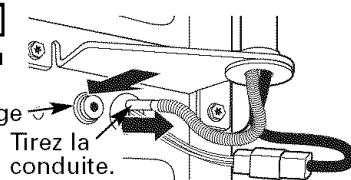
Enlevez l'agrafe du ressort en métal. Utilisez le tournevis pour pousser l'agrafe en matière plastique rouge vers le bas et enlevez-la.



**C2**

#### Raccord d'eau

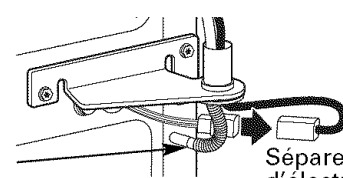
Poussez le manchon rouge et tenez-le. Tirez la conduite.



**C3**

#### Raccord d'électricité

Marque noire alignée à l'ensemble de manchon.

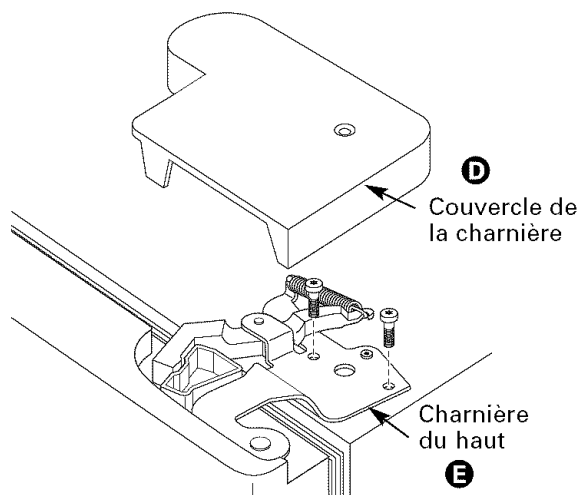


Séparez le raccord d'électricité pour débrancher.

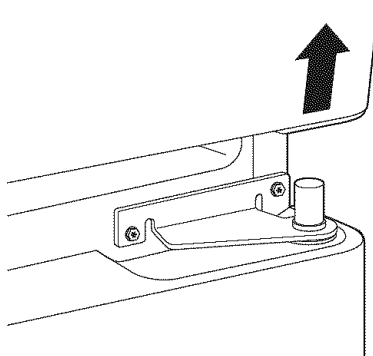
# Instructions d'installation

## 1 ENLÈVEMENT DES PORTES DU COMPARTIMENT RÉFRIGÉRATION (suite)

- D** Enlevez le couvercle de la charnière du haut de la porte du compartiment réfrigération en enlevant les vis à tête Phillips et en le tirant vers le haut.
- E** À l'aide d'une clé à douille de 5/16 po, enlevez les boulons qui tiennent la charnière du haut à l'armoire. Soulevez ensuite la charnière droit vers le haut pour libérer l'axe de la charnière de support du haut de la porte.



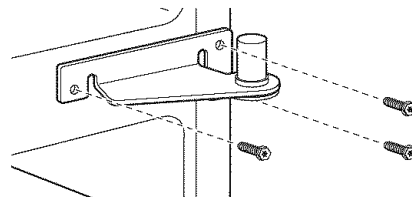
- F** Enlevez le ruban et faites basculer la porte pour l'éloigner de l'armoire. Soulevez la porte pour l'enlever de l'axe de la charnière centrale. Assurez-vous que la bague de l'axe de charnière en matière plastique demeure sur l'axe de la charnière ou à l'intérieur du trou d'axe de charnière de la porte situé en bas de la porte.



- G** Posez la porte sur une surface qui ne raye pas, l'intérieur vers le haut.

## 2 ENLEVEZ LA CHARNIÈRE DU CENTRE

À l'aide d'une clé à douille de 5/16 po, enlevez les boulons qui tiennent la charnière du centre à l'armoire. Mettez de côté les boulons et la charnière.



## 2 ENLÈVEMENT DE LA PORTE OPPOSÉE

Suivez la même procédure pour la porte opposée. Il n'y a pas de fils, de conduite d'eau ou de couvercle de charnière de l'autre côté.

## 3 ENLÈVEMENT DU TIROIR DU COMPARTIMENT CONGÉLATION

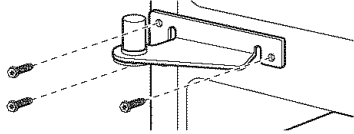
Consultez la section Enlèvement du tiroir du compartiment congélation pour des instructions.

# Instructions d'installation

## REMISE EN PLACE DES PORTES (modèles de réfrigérateurs à deux portes uniquement)

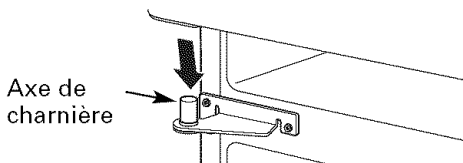
### 1 INSTALLATION DE LA CHARNIÈRE DU CENTRE

Installez la charnière du centre de chaque côté.



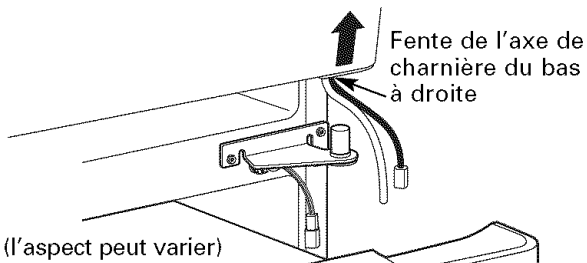
### 2 RE-SUSPENSION DES PORTES DU COMPARTIMENT RÉFRIGÉRATION

**A** Abaissez la porte du compartiment réfrigération sur l'axe de la charnière du centre. Assurez-vous que la bague en matière plastique de l'axe de charnière se trouve sur l'axe de charnière du centre ou à l'intérieur du trou de l'axe de charnière de porte situé en bas de la porte.

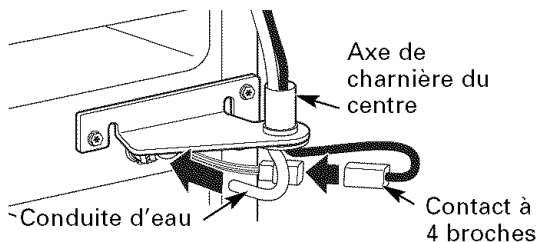


**B** Fermez la porte et tenez-la fermée à l'aide de ruban-masque ou utilisez une deuxième personne pour soutenir la porte.

**C** Faites passer les câbles à travers la fente de l'axe de charnière du bas à droite. Insérez l'axe de la charnière du haut dans le trou de la charnière en haut de la porte du compartiment réfrigération. Assurez-vous que la porte soit alignée à l'armoire et la porte opposée. Fixez la charnière en haut de l'armoire, sans trop serrer, avec les boulons.

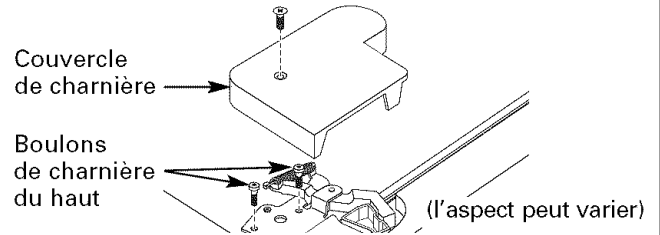


**D** Sur les portes qui ouvrent avec la main droite, passez les fils et la conduite d'eau par l'axe de charnière du centre. Branchez ensuite la conduite d'eau et le contact à quatre broches.



### 2 RE-SUSPENSION DES PORTES DU COMPARTIMENT RÉFRIGÉRATION (suite)

**E** Assurez-vous que le joint de la porte soit aligné contre l'armoire et ne soit pas tordu. Assurez-vous que la porte soit droite et l'écartement entre les portes soit uniforme à l'avant. Tout en tenant la porte alignée en place, serrez les boulons de la charnière supérieure. Remettez en place le couvercle de charnière et la vis.

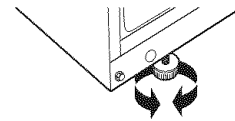


### 3 REMETTEZ EN PLACE LA PORTE OPPOSÉE

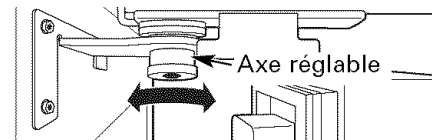
Suivez la même procédure pour la porte opposée. Il n'y a pas de conduite d'eau ou de couvercle de charnière.

### 4 ALIGNEMENT DES DEUX PORTES

Si le haut des portes n'est pas bien aligné, d'abord essayez d'élever la porte la plus basse en tournant le pied d'inclination sur le même côté que la porte jusqu'à ce que les portes soient bien alignées. Si l'appareil reste instable, rajustez les pieds d'inclination dans la mesure où l'appareil devient stable.



Si les portes ne sont toujours pas à niveau, tournez l'axe réglable pour soulever ou abaisser la porte de gauche afin qu'elle soit à niveau avec la porte de droite. Utilisez une clé Allen de 1/4 po pour tourner l'axe.



### 5 REMETTEZ EN PLACE LE TIROIR DU COMPARTIMENT CONGÉLATION

Consultez la section Remise en place du tiroir du compartiment congélation pour des instructions.

# Instructions d'installation

## INSTALLATION DE LA CONDUITE D'EAU (MODÈLES AVEC MACHINE À GLAÇONS)

### AVANT DE COMMENCER

Nous recommandons les trousse d'alimentation d'eau en cuivre WX8X2, WX8X3, WX8X4, selon le montant de conduite dont vous avez besoin. Nous approuvons les conduites d'eau en matière plastique GE SmartConnect™ Refrigerator Tubing (WX08X10006, WX08X10015 et WX08X10025).

Si vous installez un système d'eau GE Reverse Osmosis dans votre réfrigérateur, la seule installation approuvée est celle de la trousse GE RVKIT. Pour les autres systèmes d'osmose de l'eau, suivez les recommandations du fabricant.

Si l'alimentation d'eau à votre réfrigérateur vient d'un système de filtration d'osmose inversée ET si votre réfrigérateur a également un filtre d'eau, utilisez le bouchon de dérivation du filtre de votre réfrigérateur. Si vous utilisez la cartouche de filtration de votre réfrigérateur en conjonction avec le filtre d'osmose inversée, vous pouvez produire des glaçons creux.

Cette installation de conduite d'eau n'est pas garantie par le fabricant de réfrigérateur ou de machine à glaçons. Suivez soigneusement ces instructions pour minimiser le risque de dommages onéreux d'inondation.

Les coups de bélier (eau qui donne des coups dans les tuyaux) dans la tuyauterie de la maison peut occasionner des dommages aux pièces de votre réfrigérateur, ainsi que des fuites ou des inondations. Appelez un plombier certifié pour corriger les coups de bélier avant d'installer la conduite d'eau de votre réfrigérateur.

Pour prévenir toute brûlure et tout dommage à votre réfrigérateur, ne branchez jamais la conduite d'eau à une canalisation d'eau chaude.

Si vous utilisez votre réfrigérateur avant de brancher la conduite d'eau, assurez-vous de laisser le commutateur de la machine à glaçon en position **O (arrêt)**.

N'installez jamais les tuyaux de la machine à glaçon dans des endroits où la température risque de descendre en dessous du point de congélation.

Si vous utilisez un outil électrique (comme une perceuse électrique) pendant l'installation, assurez-vous que l'isolement ou le câblage de cet outil empêche tout danger de secousse électrique.

Vous devez procéder à toutes vos installations conformément aux exigences de votre code local de plomberie.

### CE DONT VOUS AUREZ BESOIN



- **Tuyaux en cuivre ou trousse GE SmartConnect™ Refrigerator Tubing**, diamètre extérieur de 1/4 po pour brancher le réfrigérateur à l'alimentation d'eau. Si vous utilisez un tuyau en cuivre, assurez-vous que les deux extrémités du tuyau soient coupées bien droit.

Pour trouver la longueur de tuyau dont vous aurez besoin : mesurez la distance qui va du robinet d'eau situé derrière le réfrigérateur jusqu'au tuyau d'alimentation d'eau. Assurez-vous qu'il y ait assez de tuyau en trop pour vous permettre de décoller le réfrigérateur du mur après l'installation.

Les trousse GE SmartConnect™ Refrigerator Tubing sont disponibles dans les dimensions suivantes :

1,8 m (6 pi) – WX08X10006

4,6 m (15 pi) – WX08X10015

7,6 m (25 pi) – WX08X10025

**NOTE : Les seuls tuyaux en matière plastique approuvés par GE sont ceux qui sont fournis dans les trousse GE SmartConnect™ Refrigerator Tubing. N'utilisez jamais un autre tuyau en matière plastique, car le tuyau d'alimentation d'eau est tout le temps sous pression. Certaines catégories de tuyaux en matière plastique peuvent devenir cassants avec l'âge et peuvent se fendre, en occasionnant des dommages d'inondation dans votre maison.**

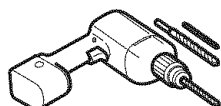
- Vous pouvez acheter une **trousse d'alimentation d'eau GE** (contenant un tuyau en cuivre, un robinet d'arrêt et les joints énumérés ci-dessous) chez votre distributeur local ou en le commandant au service de pièces et accessoires, au 1.888.261.3055.

# Instructions d'installation

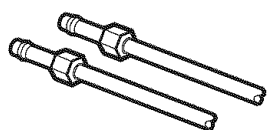
## INSTALLATION DE LA CONDUITE D'EAU (SUITE)

### CE DONT VOUS AUREZ BESOIN (SUITE)

- Une alimentation d'eau froide potable. La pression de l'eau doit être entre 20 et 120 p.s.i. (1,4 et 8,1 bar).



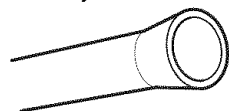
- Une perceuse électrique.
- Une clé de 1/2 po ou une clé réglable.
- Un tournevis à lame plate et un tournevis Phillips.



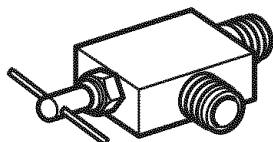
- Deux écrous à compression d'un diamètre extérieur de 1/4 po et deux bagues (manchons)—pour brancher le tuyau en cuivre au robinet d'arrêt et au robinet d'eau du réfrigérateur.

**OU**

- Si vous utilisez une trousse d'alimentation d'eau GE avec tuyau en matière plastique, les garnitures nécessaires sont déjà montées au tuyau.



- Si votre canalisation d'eau actuelle a un raccord évasé à une extrémité, vous aurez besoin d'un **adaptateur** (que vous trouverez dans votre magasin de matériel de plomberie) pour brancher le tuyau d'eau au réfrigérateur, **OU BIEN** vous pouvez couper le raccord évasé à l'aide d'un **coupe-tube**, puis utiliser un raccord à compression. Ne coupez jamais l'extrémité finie d'un tuyau de la trousse GE SmartConnect™ Refrigerator Tubing.



- Un robinet d'arrêt pour brancher le tuyau d'eau froide. Le robinet d'arrêt doit avoir une entrée d'eau avec un diamètre intérieur minimal de 5/32 po au point de jonction avec le **TUYAU D'EAU FROIDE**. Des robinets d'arrêt à étrier sont souvent inclus dans les trousse d'alimentation d'eau. Avant d'acheter, assurez-vous que le robinet à étrier se conforme à vos codes de plomberie locaux.

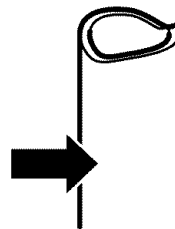
Installez le robinet d'arrêt sur la canalisation d'eau potable la plus fréquemment utilisée.

### 1 FERMEZ L'ALIMENTATION PRINCIPALE D'EAU

Ouvrez le robinet le plus proche suffisamment longtemps pour purger le tuyau.

### 2 CHOISISSEZ L'EMPLACEMENT DU ROBINET

Choisissez pour le robinet un emplacement facilement accessible. Il vaut mieux le brancher de côté à un tuyau vertical. Si vous devez le brancher à un tuyau horizontal, faites le branchement en haut ou de côté, plutôt qu'en bas du tuyau, pour éviter de recevoir des sédiments du tuyau d'alimentation d'eau.

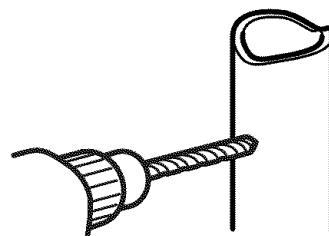


### 3 PERCEZ UN TROU POUR LE ROBINET

Percez un trou de 1/4 po dans le tuyau d'eau, à l'aide d'un foret dur. Enlevez toute barbare due au perçage du trou dans le tuyau.

**Faites attention de ne pas laisser de l'eau couler dans votre perceuse électrique.**

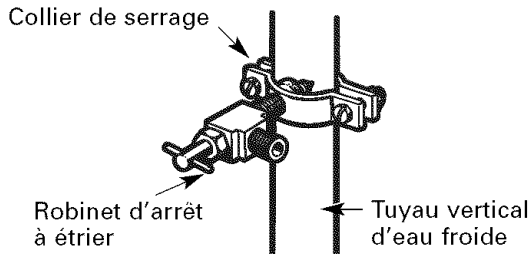
Si vous ne percez pas un trou de 1/4 po, vous obtiendrez une alimentation d'eau réduite et des glaçons plus petits.



# Instructions d'installation

## 4 FIXEZ LE ROBINET D'ARRÊT

Fixez le robinet d'arrêt au tuyau d'eau froide à l'aide du collier de serrage.

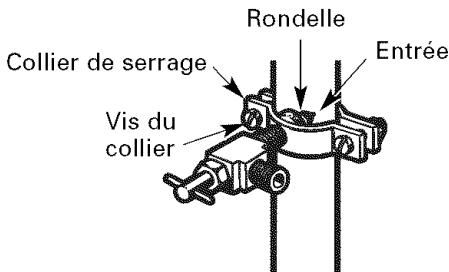


**NOTE :** Vous devez vous conformer aux Codes de plomberie 248CMR du Commonwealth of Massachusetts. Les robinets d'arrêt à étrier sont illégaux et leur utilisation n'est pas autorisée au Massachusetts. Consultez votre plombier local.

## 5 SERREZ LE COLLIER DE SERRAGE

Serrez les vis du collier jusqu'à ce que la rondelle d'étanchéité commence à enfler.

**NOTE :** Ne serrez pas trop. Vous risquez d'écraser le tuyau de cuivre.



## 6 ACHEMINEZ LE TUYAU

Acheminez le tuyau du tuyau d'eau froide au réfrigérateur.

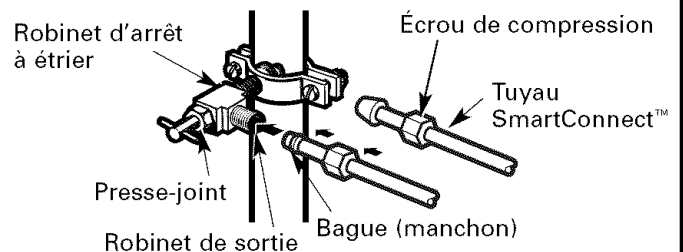
Faites passer le tuyau par un trou percé dans le mur ou le plancher (derrière le réfrigérateur ou au niveau de l'armoire de cuisine adjacente), aussi près du mur que possible.

## 7 BRANCHEZ LE TUYAU AU ROBINET

Placez un écrou de compression et une bague (manchon) à l'extrémité du tuyau et branchez-les au robinet d'arrêt.

Assurez-vous que le tuyau soit bien inséré dans le robinet. Serrez fort l'écrou de compression.

Pour le tuyau en matière plastique d'une trousse GE SmartConnect™ Refrigerator Tubing, insérez l'extrémité moulée du tuyau dans le robinet d'arrêt et serrez l'écrou de compression à la main, puis serrez un autre demi tour avec une clé. Si vous serrez trop fort, vous pouvez occasionner des fuites.

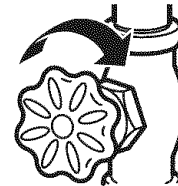


**NOTE :** Vous devez vous conformer aux Codes de plomberie 248CMR du Commonwealth of Massachusetts. Les robinets d'arrêt à étrier sont illégaux et leur utilisation n'est pas autorisée au Massachusetts. Consultez votre plombier local.

## 8 PURGEZ LE TUYAU

Ouvrez le robinet d'alimentation principale d'eau et purgez le tuyau jusqu'à ce que l'eau soit claire.

Fermez l'eau au niveau du robinet d'eau après écoulement d'environ 1 litre (1 quart) d'eau par le tuyau.



Pour compléter l'installation du réfrigérateur, retournez à l'étape 1 de la section *Installation du réfrigérateur*.

## Bruits de fonctionnement normaux.



Les réfrigérateurs plus récents font des bruits différents de ceux des anciens. Les réfrigérateurs modernes présentent plus de fonctions et sont plus avancés sur le plan technologique.

**Entendez-vous ce que j'entends ? Ces bruits sont normaux.**

**HUMMM...  
OUUCH...**

- Le nouveau compresseur à rendement élevé peut fonctionner plus longtemps et plus vite que votre ancien réfrigérateur et vous pouvez entendre un son modulé ou un ronflement aigu pendant son fonctionnement.
- Vous pouvez entendre un sifflement lorsque les portes se ferment. Cela vient de l'équilibrage de pression dans le réfrigérateur.

**OUIR !**



- Vous pouvez entendre les ventilateurs tourner à hautes vitesses. Cela se produit lorsque le réfrigérateur vient d'être branché, lorsque les portes sont ouvertes fréquemment ou lors de l'ajout d'une grande quantité d'aliments dans les compartiments congélateur ou réfrigérateur. Les ventilateurs permettent de maintenir les bonnes températures.
- Les ventilateurs changent de vitesses pour assurer des économies d'énergie et un refroidissement optimaux.

### CLICS et CLAQUEMENTS

- Vous pouvez entendre des craquements ou des claquements lorsque le réfrigérateur est branché pour la première fois. Cela se produit lorsque le réfrigérateur se refroidit à la bonne température.
- Le réglage du congélateur clique quand le compresseur se met en marche ou s'arrête.
- La minuterie de dégivrage se mettant en marche ou s'arrêtant pendant le cycle de dégivrage.
- L'expansion et la contraction des serpentins de refroidissement pendant et après le dégivrage peuvent causer un craquement ou un claquement.
- Sur les modèles équipés d'une machine à glaçons, après un cycle de fabrication de glaçons, vous pouvez entendre les glaçons tomber dans le bac.
- Sur les modèles munis d'un distributeur, le mouvement des conduites peut être audible lors de la première distribution d'eau et après le relâchement du bouton du distributeur.

### BRUITS D'EAU



- Le passage de l'agent frigorigère dans les serpentins de refroidissement du congélateur peut être accompagné d'un gargouillement semblable à celui de l'eau en ébullition.
- L'eau tombant sur l'élément chauffant de dégivrage peut faire un bruit de grésillement, de claquement ou de bourdonnement pendant le cycle de dégivrage.
- Un bruit de suintement d'eau peut être entendu pendant le cycle de dégivrage lorsque la glace de l'évaporateur fond et tombe dans le bac de récupération.
- Fermer la porte peut causer un gargouillement en raison de l'équilibrage de pression.



Pour obtenir plus d'information sur les bruits normaux de fonctionnement de la machine à glaçons, veuillez consulter la section **Machine à glaçons automatique**.

## Avant d'appeler un réparateur...



Conseils de dépannage—Économisez du temps et de l'argent!  
Consultez d'abord les tableaux qui suivent et vous pourrez peut-être éviter de faire appel à un réparateur.

| Problème  | Causes possibles                                   | Correctifs  |
|---|--|---|
| <b>Le réfrigérateur ne fonctionne pas</b>                               | Le cycle de dégivrage est en cours.                | • Attendez environ 30 minutes permettre au cycle de dégivrage de se terminer. |
|   | La commande est réglée sur 0 (arrêt).              | • Réglez la commande de température sur un réglage de température.            |
|   | Le réfrigérateur est débranché.                    | • Enfoncez la fiche de l'appareil dans la prise murale.                       |
|   | Le disjoncteur ou le fusible peut avoir sauté.     | • Remplacez le fusible ou réenclenchez le disjoncteur.                        |
| <b>Vibration ou bruit métallique (une légère vibration est normale)</b> | Les pieds de nivellement ont besoin d'être réglés. | • Consultez <i>Mettez le réfrigérateur de niveau</i> .                        |



| Problème   | Causes possibles   | Correctifs  |
|--|--|---|
| <b>Le moteur fonctionne pendant de longues périodes ou démarre et s'arrête fréquemment.</b><br>(Les réfrigérateurs modernes et leurs congélateurs étant plus grands, leur moteur doit fonctionner plus longtemps. Ils démarrent et s'arrêtent afin de maintenir des températures uniformes.) | Ceci est normal lorsque le réfrigérateur vient d'être branché.   | <ul style="list-style-type: none"> <li>• Attendez 24 heures pour que le réfrigérateur refroidisse complètement.</li> </ul>  |
|  | Ceci arrive souvent lorsque une grande quantité d'aliments a été mise au réfrigérateur.  | <ul style="list-style-type: none"> <li>• C'est normal.</li> </ul>   |
|  | Porte laissée ouverte.   | <ul style="list-style-type: none"> <li>• Vérifiez qu'il n'y a pas un paquet qui empêche la porte de fermer.</li> </ul>  |
|  | Temps chaud ou ouverture fréquente des portes.   | <ul style="list-style-type: none"> <li>• C'est normal.</li> </ul>   |
|  | Les commandes de température ont été réglées aux températures les plus basses.   | <ul style="list-style-type: none"> <li>• Consultez <i>Les commandes</i>.</li> </ul>   |
|  | La fonction TurboCool est active.  | <ul style="list-style-type: none"> <li>• C'est normal quand la fonction TurboCool est active. Consultez la section <i>TurboCool</i> pour de plus amples informations.</li> </ul>  |
| <b>Température trop élevée dans le congélateur ou le réfrigérateur</b>   | La commande de température du réfrigérateur ou du congélateur n'est pas réglée à une température assez basse.  | <ul style="list-style-type: none"> <li>• Consultez <i>Les commandes</i>.</li> </ul>   |
|  | Temps chaud ou ouverture fréquente des portes.   | <ul style="list-style-type: none"> <li>• Abaissez la commande de température d'une position. Consultez <i>Les commandes</i>.</li> </ul>   |
|  | Porte laissée ouverte.   | <ul style="list-style-type: none"> <li>• Vérifiez qu'il n'y a pas un paquet qui empêche la porte de fermer.</li> </ul>  |
| <b>Givre sur les aliments surgelés (il est normal que du givre se forme à l'intérieur du paquet)</b>   | Porte laissée ouverte.   | <ul style="list-style-type: none"> <li>• Vérifiez qu'il n'y a pas un paquet qui empêche la porte de fermer.</li> </ul>  |
|  | Les ouvertures de porte sont trop fréquentes ou trop longues.  |   |
| <b>Vibration fréquente</b>   | Le commutateur de marche de la machine à glaçons est en position <i>I (marche)</i> , mais l'approvisionnement en eau du réfrigérateur n'est pas branché. | <ul style="list-style-type: none"> <li>• Mettez le commutateur de marche en position <i>0 (arrêt)</i>. Le robinet d'eau sera endommagé si gardez le commutateur de marche en position <i>I (marche)</i>.</li> </ul>   |
| <b>Petits glaçons ou glaçons creux à l'intérieur</b>   | Le filtre à eau est bouché.  | <ul style="list-style-type: none"> <li>• Remplacez la cartouche du filtre avec une nouvelle cartouche ou installez le bouchon du filtre.</li> </ul>   |
| <b>La machine à glaçons automatique ne fonctionne pas (sur certains modèles)</b>   | Le commutateur de marche n'est pas branché.  | <ul style="list-style-type: none"> <li>• Mettez le commutateur de marche en position <i>I (marche)</i>. Le voyant lumineux de la machine à glaçons devient vert quand le commutateur de voyant lumineux de compartiment congélation est pressé ou quand la porte du compartiment congélation est fermée.</li> </ul>       |
|  | L'alimentation d'eau est arrêtée ou n'est pas branchée.  | <ul style="list-style-type: none"> <li>• Consultez <i>Installation de la conduite d'eau</i>.</li> </ul>   |
|  | Le compartiment congélateur est trop chaud.  | <ul style="list-style-type: none"> <li>• Attendez 24 heures que le réfrigérateur soit complètement froid.</li> </ul>  |
|  | Une accumulation de glaçons dans le tiroir à glaçons peut causer un arrêt de la machine à glaçons.   | <ul style="list-style-type: none"> <li>• Égalisez les glaçons à la main.</li> </ul>   |
|  | Des glaçons se sont collés dans la machine à glaçons (le voyant lumineux vert de la machine à glaçons clignote).   | <ul style="list-style-type: none"> <li>• Débranchez la machine à glaçons, enlevez les glaçons, puis remettez en marche la machine à glaçons.</li> </ul>   |
|  | Le voyant lumineux de machine à glaçons ne s'allume pas.   | <ul style="list-style-type: none"> <li>• C'est normal quand la porte du compartiment congélation est ouverte. Le voyant lumineux de la machine à glaçons devient vert quand le commutateur de voyant lumineux de compartiment congélation est pressé ou quand la porte du compartiment congélation est fermée.</li> </ul> |

## Avant d'appeler un réparateur...

| Problème   | Causes possibles   | Correctifs   |
|--|--|--|
| <b>Odeur/saveur anormale des glaçons</b>   | Des aliments ont transmis leur odeur/goût aux glaçons.<br>Il faut nettoyer l'intérieur du réfrigérateur.   | <ul style="list-style-type: none"> <li>• Emballez bien les aliments.</li> <li>• Consultez <i>Entretien et nettoyage</i>.</li> <li>• Gardez une boîte de bicarbonate de soude ouverte dans votre réfrigérateur. Remplacez-la tous les trois mois.</li> </ul>  |
| <b>Formation lente des glaçons</b>   | Porte laissée ouverte.<br>La commande de température du congélateur n'est pas réglée à une température assez basse.  | <ul style="list-style-type: none"> <li>• Vérifiez qu'il n'y a pas un paquet qui empêche la porte de fermer.</li> <li>• Consultez <i>Les commandes</i>.</li> </ul>  |
| <b>Odeur dans le réfrigérateur</b>   | Des aliments ont transmis leur odeur au réfrigérateur.<br>Il faut nettoyer l'intérieur.  | <ul style="list-style-type: none"> <li>• Les aliments à odeur forte doivent être emballés hermétiquement.</li> <li>• Gardez une boîte ouverte de bicarbonate de soude dans le réfrigérateur.</li> <li>• Consultez <i>Entretien et nettoyage</i>.</li> </ul>  |
| <b>De la condensation s'accumule à l'extérieur</b>   | Cela n'est pas inhabituel pendant les périodes de forte humidité.  | <ul style="list-style-type: none"> <li>• Essayez bien la surface extérieure et abaissez la commande du réfrigérateur d'une position.</li> </ul>  |
| <b>De l'humidité se forme à l'intérieur (quand il fait humide, l'air transporte de l'humidité à l'intérieur du réfrigérateur quand vous ouvrez les portes)</b> | Vous ouvrez les portes trop souvent ou trop longtemps.   |  |
| <b>La lumière de compartiment réfrigération ou congélation ne s'allume pas</b>   | Pas d'électricité à la prise.<br>L'ampoule a brûlé ou elle n'est pas vissée à fond.  | <ul style="list-style-type: none"> <li>• Remplacez le fusible ou remettez en marche le disjoncteur.</li> <li>• Consultez <i>Remplacement des ampoules électriques</i>.</li> </ul>  |
| <b>La porte/le tiroir ne ferme pas seul</b>  | Vous devez ajuster les pieds de nivellement.   | <ul style="list-style-type: none"> <li>• Consultez <i>Installation du réfrigérateur</i>.</li> </ul>  |
| <b>La porte/le tiroir du compartiment congélation s'ouvre quand la porte du réfrigérateur est fermée</b>   | C'est normal si, après s'être ouvert, la porte/le tiroir du compartiment congélation se referme tout seul.   | <ul style="list-style-type: none"> <li>• Cela indique que la porte/le tiroir du compartiment congélation a un bon joint. Si la porte/le tiroir du compartiment congélation ne se referme pas automatiquement après s'être ouvert, consultez la section <b>Problème : La porte/le tiroir ne ferme pas seul</b>, ci-dessus.</li> </ul> |
| <b>De l'air chaud souffle du bas du réfrigérateur</b>  | C'est normal. Le moteur se refroidit à l'air. Dans le processus de réfrigération il est normal que de la chaleur soit émise en bas du réfrigérateur. Certains revêtements de sol sont sensibles et changent de couleur à ces températures normales et pas dangereuses. |  |
| <b>Les aliments gèlent dans le compartiment réfrigération</b>  | Les aliments sont trop près de l'ouverture de circulation d'air à l'arrière du compartiment réfrigération.<br>Le réglage de votre réfrigérateur est trop froid.  | <ul style="list-style-type: none"> <li>• Éloignez les aliments de l'ouverture de circulation d'air.</li> <li>• Réglez votre réfrigérateur à une température plus chaude en sélectionnant une graduation à la fois.</li> </ul>  |
| <b>Il y a une lueur orangée dans le compartiment congélation</b>   | Le chauffage du dégivrage fonctionne.  | <ul style="list-style-type: none"> <li>• C'est normal.</li> </ul>  |

| <b>Problème</b>  | <b>Causes possibles</b>  | <b>Correctifs</b>  |
|--|--|--|
| <b>Mauvais goût/odeur de l'eau</b>                         | Le distributeur d'eau n'a pas été utilisé depuis longtemps.  | <ul style="list-style-type: none"> <li>Faites couler l'eau jusqu'à ce que l'eau du système soit remplacée par de l'eau fraîche.</li> </ul>   |
| <b>L'eau versée dans le premier verre est chaude</b>       | Normal lorsque le réfrigérateur est initialement installé.   | <ul style="list-style-type: none"> <li>Attendez 24 heures pour que la température du réfrigérateur se stabilise.</li> </ul>  |
|  | Le distributeur d'eau n'a pas été utilisé depuis longtemps.  | <ul style="list-style-type: none"> <li>Faites couler l'eau jusqu'à ce que l'eau du système soit remplacée par de l'eau fraîche.</li> </ul>   |
|  | Le réservoir d'eau vient d'être vidangé.   | <ul style="list-style-type: none"> <li>Attendez plusieurs heures pour que l'eau refroidisse.</li> </ul>  |
| <b>Le distributeur d'eau ne fonctionne pas</b>             | L'alimentation en eau est coupée ou n'est pas raccordée.   | <ul style="list-style-type: none"> <li>Consultez <i>Installation de la conduite d'eau</i>.</li> </ul>  |
|  | Le filtre à eau est bouché.  | <ul style="list-style-type: none"> <li>Remplacez la cartouche du filtre avec une nouvelle cartouche ou installez le bouchon du filtre.</li> </ul>  |
|  | Il y a de l'air dans la conduite d'eau.  | <ul style="list-style-type: none"> <li>Appuyez sur le bras de distribution pendant au moins deux minutes.</li> </ul>   |
|  | L'eau dans le réservoir est gelée parce que la température de réglage est trop froide.                 | <ul style="list-style-type: none"> <li>Augmentez la température de réglage de compartiment réfrigération et attendez 24 heures. Si l'eau ne coule pas du distributeur près 24 heures, appelez le service.</li> </ul>           |
| <b>L'eau jaillit du distributeur</b>                       | La cartouche du filtre vient d'être installée.   | <ul style="list-style-type: none"> <li>Faites couler l'eau du distributeur pendant 3 minutes (environ 6 litres).</li> </ul>  |
| <b>La machine à glaçons ne distribue ni eau ni glaçons</b> | La conduite d'eau ou le robinet d'arrêt est bouché.  | <ul style="list-style-type: none"> <li>Appelez un plombier.</li> </ul>   |
|  | Le filtre à eau est bouché.  | <ul style="list-style-type: none"> <li>Remplacez la cartouche du filtre avec une nouvelle cartouche ou installez le bouchon du filtre.</li> </ul>  |
|  | Cartouche de filtre mal installée.   | <ul style="list-style-type: none"> <li>Retirez et réinstallez la cartouche de filtre en vous assurant qu'elle se bloque en place. La lame à l'extrémité de la cartouche doit être positionnée verticalement.</li> </ul>        |
| <b>L'eau coule du distributeur</b>                         | Vous ne tenez pas le verre sous le distributeur suffisamment longtemps après avoir relâché le bouton.  | <ul style="list-style-type: none"> <li>Tenez le verre sous le distributeur pendant 2-3 secondes après avoir relâché le bouton du distributeur. L'eau peut continuer à couler après que vous ayez relâché le bouton.</li> </ul> |
|  | De l'air peut se trouver dans les conduites d'eau, causant l'égouttement après une distribution d'eau. | <ul style="list-style-type: none"> <li>Faites écouler l'eau pendant au moins 2 minutes pour expulser l'air du système.</li> </ul>  |

## Avant d'appeler un réparateur...

| Problème   | Causes possibles  | Correctifs   |
|--|---|--|
| Mon écran indique <b>EC</b>  | La fonction TurboCool est active.   | <ul style="list-style-type: none"> <li>Consultez la section <i>TurboCool</i> pour de plus amples informations.</li> </ul>  |
| Le voyant lumineux du filtre d'eau a changé de couleur                                 | C'est normal.   | <ul style="list-style-type: none"> <li>Consultez la section <i>Filtre d'eau</i> pour de plus amples informations.</li> </ul>   |
| Le voyant lumineux de filtre d'eau demeure rouge après un remplacement du filtre d'eau | Il faut remettre à zéro l'indicateur de filtre d'eau.   | <ul style="list-style-type: none"> <li>Appuyez sur la touche <b>RESET WATER FILTER (remise à zéro du filtre d'eau)</b> et tenez-la appuyée pendant 3 secondes. Consultez la section <i>Filtre d'eau</i> pour de plus amples informations.</li> </ul> |
| Le voyant lumineux de filtre d'eau ne s'allume pas                                     | C'est normal. Ce voyant devient orange pour vous dire que vous avez besoin de remplacer le filtre bientôt. Vous devez remplacer le filtre quand le voyant indicateur de remplacement du filtre devient rouge. | <ul style="list-style-type: none"> <li>Consultez la section <i>Filtre d'eau</i> pour de plus amples informations.</li> </ul>   |
| La poignée est lâche/ Il y a un espace vide pour la poignée                            | Vous devez ajuster la poignée de porte.   | <ul style="list-style-type: none"> <li>Consultez les sections <i>Fixez la poignée du compartiment aliments frais</i> et <i>Fixez la poignée du compartiment congélation</i> pour des instructions détaillées.</li> </ul>                             |
| Son du réfrigérateur   | C'est l'alarme de porte.  | <ul style="list-style-type: none"> <li>Fermez la porte.</li> </ul>   |
| Le réglage de contrôles n'est pas allumé   | Sur certains modèles, les ampoules électriques situées en haut du compartiment réfrigération allument les réglages de contrôle de la température.   | <ul style="list-style-type: none"> <li>Si les réglages de contrôle ne s'allument pas, vérifiez que les ampoules électriques ne soient pas brûlées, et remplacez-les le cas échéant.</li> </ul>   |
| Les portes ne sont pas bien alignées (Uniquement sur les modèles à deux portes)        | Il faut réaligner les portes.   | <ul style="list-style-type: none"> <li>Consultez la section <i>Alignement des deux portes</i> située dans la section <i>Remise en place des portes (modèles de réfrigérateurs à deux portes uniquement)</i>.</li> </ul>                              |

**Mesures de sécurité**

**Fonctionnement**

**Installation**

**Conseils de dépannage**

**Soutien au  
consommateur**

# GARANTIE DU CLIENT

(pour la clientèle au Canada)

Votre réfrigérateur est garanti contre tout défaut de matériau et de fabrication.

| Ce que cette garantie couvre  | Durée de garantie (à partir de la date d'achat)                     | Pièces Réparation ou remplacement au choix de Mabe                  | Main-d'oeuvre   |
|---|---|---|---|
| Compresseur   | GE Profile : Dix (10) ans<br>GE et toutes autre marques : Un (1) an | GE Profile : Dix (10) ans<br>GE et toutes autre marques : Un (1) an | GE Profile : Cinq (5) ans<br>GE et toutes autre marques : Un (1) an |
| Système scellé (y compris l'évaporateur, la tuyauterie du condenseur et le frigorigène) | GE Profile : Cinq (5) ans<br>GE et toutes autre marques : Un (1) an | GE Profile : Cinq (5) ans<br>GE et toutes autre marques : Un (1) an | GE Profile : Cinq (5) ans<br>GE et toutes autre marques : Un (1) an |
| Toutes les autres pièces  | Un (1) an   | Un (1) an   | Un (1) an   |

## TERMES ET CONDITIONS :

La présente garantie ne s'applique qu'à l'utilisation domestique par une seule famille au Canada, lorsque le réfrigérateur a été installé conformément aux instructions fournies par Mabe et est alimenté correctement en eau et en électricité.

Les dommages dus à une utilisation abusive, un accident, une exploitation commerciale, ainsi que la modification, l'enlèvement ou l'altération de la plaque signalétique annulent la présente garantie.

L'entretien effectué dans le cadre de la présente garantie doit être par un réparateur agréé Mabe.

Mabe et le marchand ne peuvent être tenus pour responsables en cas de réclamations ou dommages résultant de toute panne du réfrigérateur ou d'un entretien retardé pour des raisons qui raisonnablement échappent à leur contrôle.

L'acheteur doit, pour obtenir un service dans le cadre de la garantie, présenter la facture originale. Les éléments réparés ou remplacés ne sont garantis que pendant le restant de la période de garantie initiale.

Cette garantie est offerte à l'acheteur initial, ainsi qu'à tout propriétaire subséquent d'un produit acheté en vue d'une utilisation domestique au Canada. Le service à domicile en vertu de la garantie sera fourni dans les régions où il est disponible et où Mabe estime raisonnable de le fournir.

Cette garantie est en sus de toute garantie statutaire.

## EXCLUSIONS DE LA GARANTIE :

- Le propriétaire est responsable de payer les réparations occasionnées par l'installation de ce produit et/ou les visites nécessaires pour lui apprendre à utiliser ce produit.
- Tout dommage au fini de l'appareil doit être signalé auprès du magasin où a été effectué l'achat dans les 48 heures suivant la livraison de l'appareil.
- Dommages causés à la peinture ou à l'émail après livraison.
- Installation incorrecte—l'installation correcte inclut la bonne circulation d'air pour le système de réfrigération, des possibilités de branchement aux circuits électriques, d'alimentation en eau et autres.
- Remplacement des fusibles ou réarmement des disjoncteurs.
- Remplacement des ampoules électriques.
- Dommages subis par l'appareil à la suite d'un accident, d'un incendie, d'inondations ou en cas de force majeure.
- Utilisation correcte et entretien adéquat de l'appareil selon le manuel d'utilisation, réglage correct des commandes.
- Perte des aliments due à la détérioration.
- Le service s'il est impossible d'avoir accès au produit pour ce faire.
- LE GARANT N'EST PAS RESPONSABLE DES DOMMAGES INDIRECTS.

**EXCLUSION DE GARANTIES IMPLICITES**—*Votre seul et unique recours est la réparation du produit selon les dispositions de cette Garantie limitée. Toutes les garanties implicites, incluant les garanties de commercialité et d'adéquation à un usage spécifique, sont limitées à une année ou à la période la plus courte autorisée par la législation.*

## IMPORTANT

**Gardez cette garantie et votre facture originale comme preuve d'achat et preuve de la date d'achat.**

Mabe vous offre ses services dans tout le pays. Pour de plus amples renseignements sur la présente garantie, veuillez prendre contact avec :

Directeur, Relations avec les consommateurs, Mabe Canada Inc.,  
Bureau 310, 1 Factory Lane, Moncton, N.B. E1C 9M3  
1.800.561.3344

*Agrapez votre reçu ici.  
Vous devez fournir la preuve de  
l'achat original pour obtenir des  
services en vertu de la garantie.*

**Feuillet de données relatives à la performance**  
**Cartouche GSWF du système de**  
**Filtration d'eau GE SmartWater**

**Ce système a été essayé selon les normes NSF/ANSI 42/53 pour une réduction des substances énumérées ci-dessous. La concentration des substances indiquées dans l'eau qui entre dans le système a été réduite à une concentration inférieure ou égale à la limite permise pour l'eau quittant le système, telle que précisée par la norme NSF/ANSI 42/53.\***  
*(facteurs intégrés de sécurité à 100% pour une utilisation sans compteur)*

| Norme N° 42 : Effets esthétiques |           |                |                                |             |           |             |         |                          |
|----------------------------------|-----------|----------------|--------------------------------|-------------|-----------|-------------|---------|--------------------------|
| Paramètre                        | USEPA MCL | Influent moyen | Qualité influent concentration | Effluent    |           | % Réduction |         | Réduction exigeante min. |
|                                  |           |                |                                | Moyenne     | Maximum   | Moyenne     | Minimum |                          |
| Chlore                           | —         | 1,845 mg/L     | 2,0 mg/L ± 10%                 | < 0,05 mg/L | 0,05 mg/L | 97,29%      | 96,43%  | ≥ 50%                    |
| T & O                            | —         | —              | —                              | —           | —         | —           | —       | —                        |
| Particules**                     | —         | 143.333 #/mL   | 10.000 particules/mL minimum   | 29,83 #/mL  | 140 #/mL  | 99,98%      | 99,91%  | ≥ 85%                    |

| Norme N° 53 : Effets de santé |                  |                |                                |                |                |             |          |                          |
|-------------------------------|------------------|----------------|--------------------------------|----------------|----------------|-------------|----------|--------------------------|
| Paramètre                     | USEPA MCL        | Influent moyen | Qualité influent concentration | Effluent       |                | % Réduction |          | Réduction exigeante min. |
|                               |                  |                |                                | Moyenne        | Maximum        | Moyenne     | Minimum  |                          |
| Turbidité                     | 1 NTU***         | 10,3 NTU***    | 1 ± 1 NTU***                   | 0,106 NTU      | 0,14 NTU       | 98,97%      | 98,61%   | 0,5 NTU                  |
| Spores                        | 99,95% réduction | 200.000 #/L    | 50.000 L minimum               | 0              | 0              | > 99,99%    | > 99,99% | > 99,95%                 |
| Plomb au pH 6,5               | 0,015 mg/L       | 0,15 mg/L      | 0,15 mg/L ± 10%                | < 0,001 mg/L   | < 0,001 mg/L   | > 99,33%    | > 99,33% | 0,010 mg/L               |
| Plomb au pH 8,5               | 0,015 mg/L       | 0,14 mg/L      | 0,15 mg/L ± 10%                | 0,001 mg/L     | 0,003 mg/L     | > 99,29%    | 97,86%   | 0,010 mg/L               |
| Lindane                       | 0,0002 mg/L      | 0,0216 mg/L    | 0,002 mg/L ± 10%               | < 0,00002 mg/L | < 0,00002 mg/L | 99,07%      | 98,75%   | 0,0002 mg/L              |
| Atrazine                      | 0,003 mg/L       | 0,008 mg/L     | 0,009 mg/L ± 10%               | < 0,002 mg/L   | < 0,002 mg/L   | > 76,12%    | > 66,67% | 0,003 mg/L               |

\* Testé utilisant un débit de 0,5 gpm; une pression de 60 psig; un pH de 7,5 ± 0,5; et une temp. de 20 °C ± 3 °C.

\*\* Mesures en particules/ml. Les particules utilisés étaient de 0,5–1 micron.

\*\*\* NTU = unités de turbidité néphélométrique

### Spécifications d'opération

- Capacité: certifiée jusqu'à maximum de 750 gallons (2838 l); jusqu'à maximum de six mois
- Exigence en matière de pression : 2,8 à 8,2 bar (40 à 120 psi), sans choc
- Température : 0,6°–38 °C (33°–100 °F)
- Débit : 1,9 lpm (0,5 gpm)

### Exigences générales d'installation/opération/entretien

- Rincez la nouvelle cartouche à plein débit pendant 3 minutes afin de libérer de l'air.
- Remplacez la cartouche lorsque le débit devient trop lent.

### Avis spéciaux

- Les directives d'installation, la disponibilité de pièces et de service ainsi que la garantie standard sont expédiées avec le produit.
- Ce système d'eau potable doit être entretenu conformément aux directives du fabricant, y compris le remplacement des cartouches du filtre.
- N'utilisez pas lorsque l'eau présente un danger microbiologique ou lorsque l'eau est d'une qualité inconnue sans désinfecter adéquatement le système avant ou après; le système peut servir pour de l'eau désinfectée qui pourrait contenir des spores filtrables.
- Les contaminants ou autres substances retirées ou réduites par ce système de traitement de l'eau ne sont pas nécessairement dans votre eau.
- Vérifiez pour vous assurer de vous conformer aux lois et règlements locaux et de l'état.
- Notez que bien que l'essai a eu lieu dans des conditions normales de laboratoire, mais que le rendement réel peut varier. Les systèmes doivent être installés et fonctionner conformément aux procédures et directives recommandées par le fabricant.

Système testé et homologué par NSF International, selon la norme N° 42 pour la réduction de la concentration de chlore, la suppression des goûts et odeurs, particules Catégorie I, et selon la norme N° 53 pour la réduction de spores, plomb, Lindane, Atrazine et turbidité.



Fabriquée pour : General Electric Company, Louisville, KY 40225

## Soutien au consommateur.

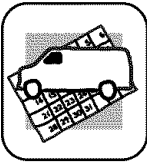
---



### Site Web appareils électroménagers GE

[www.electromenagersge.ca](http://www.electromenagersge.ca)

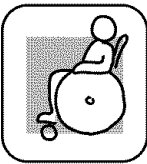
Vous avez une question ou vous avez besoin d'aide pour votre appareil électroménager? Contactez-nous par Internet au site [www.electromenagersge.ca](http://www.electromenagersge.ca) 24 heures par jour, tous les jours de l'année.



### Service de réparations

**1.800.561.3344**

Service de réparations GE est tout près de vous.  
Pour faire réparer votre électroménager GE, il suffit de nous téléphoner.



### Studio de conception réaliste

Sur demande, GE peut fournir une brochure sur l'aménagement d'une cuisine pour les personnes à mobilité réduite.

Écrivez: Directeur, Relations avec les consommateurs, Mabe Canada Inc.  
Bureau 310, 1 Factory Lane  
Moncton, N.B. E1C 9M3

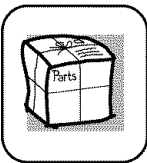


### Prolongation de garantie

[www.electromenagersge.ca](http://www.electromenagersge.ca)

Achetez un contrat d'entretien GE avant que votre garantie n'expire et bénéficiez d'un rabais substantiel. Ainsi le service après-vente GE sera toujours là après expiration de la garantie.

Visitez notre site Web ou appelez-nous au 1.800.461.3636.



### Pièces et accessoires

Ceux qui désirent réparer eux-mêmes leurs électroménagers peuvent recevoir pièces et accessoires directement à la maison (cartes VISA, MasterCard et Discover acceptées).

**Les directives stipulées dans le présent manuel peuvent être effectuées par n'importe quel utilisateur. Les autres réparations doivent généralement être effectuées par un technicien qualifié. Soyez prudent, car une réparation inadéquate peut affecter le fonctionnement sécuritaire de l'appareil.**

Vous trouverez dans les pages jaunes de votre annuaire le numéro du Centre de service Mabe le plus proche. Autrement, appelez-nous au 1.888.261.3055.



### Contactez-nous

Si vous n'êtes pas satisfait du service après-vente dont vous avez bénéficié :

**Premièrement**, communiquez avec les gens qui ont réparé votre appareil.

**Ensuite**, si vous n'êtes toujours pas satisfait envoyez tous les détails-numéro de téléphone compris-au  
Directeur, Relations avec les consommateurs, Mabe Canada Inc.  
Bureau 310, 1 Factory Lane  
Moncton, N.B. E1C 9M3



### Inscrivez votre appareil électroménager

[www.electromenagersge.ca](http://www.electromenagersge.ca)

Inscrivez votre appareil électroménager en direct, aussitôt que possible. Cela améliorera nos communications et notre service après-vente. Vous pouvez également nous envoyer par la poste le formulaire d'inscription joint à votre documentation.



**Información de seguridad** . . . . . 94, 95

**Instrucciones de operación**

Características adicionales . . . . . 100  
Cómo reemplazar  
las bombillas de luz . . . . . 106  
Congelador . . . . . 102  
Cuidado y limpieza  
del refrigerador . . . . . 104, 105  
El dispensador de agua . . . . . 103  
El filtro de agua . . . . . 98  
Gavetas preservadoras  
y contenedores . . . . . 101  
Los controles del refrigerador . . . . . 96–97  
Los estantes y compartimientos  
del refrigerador . . . . . 99, 100  
Máquina de hielo automática . . . . . 103

**Instrucciones de instalación**

Cómo instalar el soporte  
de piso anti-volcaduras . . . . . 110–111  
Cómo invertir el vaivén  
de la puerta (Modelos de  
refrigerador de una sola puerta  
únicamente) . . . . . 119–121  
Cómo reemplazar la gaveta  
del congelador . . . . . 118  
Cómo retirar la gaveta  
del congelador . . . . . 117  
Cómo retirar y volver a colocar  
las puertas (Modelos de refrigerador  
de doble puerta únicamente) . . . 122–125  
Equipos de recorte y paneles  
de decoración . . . . . 107–108  
Instalación de la tubería  
del agua . . . . . 126–128  
Instalación del refrigerador . . . . . 112–116  
Preparación para  
instalar el refrigerador . . . . . 109

**Solucionar problemas** . . . . . 129–133  
Sonidos normales de la operación . . . 129

**Servicio al consumidor**

Garantía para consumidores  
en los Estados Unidos . . . . . 134  
Hoja de datos de funcionamiento . . . 135  
Servicio al consumidor . . . . . 139

**Anote aquí los números de modelo y de serie:**

**No.** \_\_\_\_\_

**No.** \_\_\_\_\_

Usted los verá en una etiqueta en el interior  
del compartimiento de refrigerador en  
la parte superior en el lado derecho.

|                               |
|-------------------------------|
| <b>Seguridad</b>              |
| <b>Operación</b>              |
| <b>Instalación</b>            |
| <b>Solucionar problemas</b>   |
| <b>Servicio al consumidor</b> |

# INFORMACIONES IMPORTANTES DE SEGURIDAD. LEA PRIMERO TODAS LAS INSTRUCCIONES.

Seguridad

## ⚠ ¡ADVERTENCIA!

Use este aparato sólo para los fines que se describen en este Manual del propietario.



### PRECAUCIONES DE SEGURIDAD

Cuando use electrodomésticos, siga las precauciones básicas de seguridad, incluyendo las siguientes:

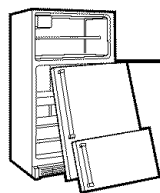
- Antes de usarse, este refrigerador deberá estar instalado y ubicado de acuerdo con las instrucciones de instalación.
  - No permita que los niños se suban, se paren o se cuelguen de las charolas del refrigerador. Podría dañarse el refrigerador y causarles serias lesiones.
  - No toque las superficies frías del congelador cuando tenga las manos húmedas o mojadas. La piel se podría adherir a las superficies extremadamente frías.
  - No guarde ni use gasolina u otros vapores o líquidos inflamables cerca de este o cualquier otro aparato.
  - Aleje los dedos fuera de las áreas donde se puede pinchar los dedos; los espacios entre las puertas y entre las puertas y los gabinetes son necesariamente estrechos. Cierre las puertas con cuidado en la presencia de los niños.
  - Si su refrigerador tiene un dispositivo automático para hacer hielo, evite el contacto con las partes móviles del mecanismo de expulsión, o con el elemento calefactor localizado en la parte inferior del dispositivo para hacer hielo. No ponga los dedos ni las manos en el mecanismo automático para hacer hielo mientras el refrigerador esté conectado.
  - Desconecte el refrigerador antes de limpiarlo o efectuar reparaciones.
- NOTA:** Recomendamos enfáticamente encargar cualquier servicio a un personal calificado.
- El colocar el control en posición **0 (apagado)** no quita la corriente del circuito de la luz.
  - No vuelva a congelar los alimentos congelados una vez que se hayan descongelado.

Operación

Instalación

## ⚠ ¡PELIGRO! RIESGO DE QUE UN NIÑO PUEDA QUEDAR ATRAPADO

### DESHACERSE DEBIDAMENTE DE SU REFRIGERADOR



El atrapamiento y la sofocación de los niños no son un problema del pasado. Los refrigeradores abandonados son un peligro...aunque sea sólo por "pocos días." Si se deshace de su viejo refrigerador, por favor siga las instrucciones abajo para ayudarnos a prevenir algún accidente.

#### **Antes de deshacerse de su viejo refrigerador o congelador:**

- Quite las puertas.
- Deje los entrepaños en su sitio para que los niños no se suban.

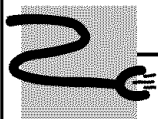
#### **Refrigerantes**

Todos los aparatos de refrigeración contienen refrigerantes, los cuales se deben retirar antes de la eliminación del producto de acuerdo con la ley federal. Si va a desechar algún aparato antiguo de refrigeración, consulte con la compañía a cargo de desechar el aparato para saber qué hacer.

Solucionar problemas

Servicio al consumidor

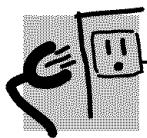
### USO DE CABLES DE EXTENSION



Debido a los accidentes potenciales que pudieran ocurrir bajo determinadas condiciones, se recomienda estrictamente no usar cables de extensión.

Sin embargo, si decidiera usarlos, es absolutamente necesario que sea del tipo UL trifilar para aparatos y cuente con una clavija con conexión a tierra y que el cable eléctrico sea de 15 amperios (mínimo) y 120 voltios.

## ⚠ ¡ADVERTENCIA!



### COMO CONECTAR LA ELECTRICIDAD

*Bajo ninguna circunstancia debe cortar o quitar la tercera punta (tierra) de la clavija. Para su seguridad personal, este aparato deberá conectarse debidamente a tierra.*

El cable eléctrico de este aparato está equipado con una clavija de tres puntas (tierra) que enchufa en un contacto estándar de pared de tres salidas (tierra) para reducir al mínimo la posibilidad de daños por un choque eléctrico con este aparato.

Haga que un electricista calificado verifique el enchufe de la pared y el circuito para asegurarse que la salida esté conectada debidamente a tierra.

Donde se disponga sólo de un contacto de pared con salida para dos puntas, es su responsabilidad personal y su obligación reemplazarlo por un contacto adecuado para tres puntas con conexión a tierra.

El refrigerador deberá conectarse siempre en su propio contacto eléctrico individual que tenga un voltaje que vaya de acuerdo con la tabla de clasificación.

Esto garantiza la mejor ejecución y evita la sobrecarga del circuito eléctrico de la casa y los daños a causa del sobrecalentamiento de los cables.

Nunca desconecte el refrigerador jalando el cable. Tome siempre firmemente la clavija y sáquela del contacto sin doblarla.

Repáre o reemplace inmediatamente todos los cables eléctricos de servicio que se hayan desgastado o dañado en alguna otra forma. No utilice cables que muestren roturas o daños por abrasión a lo largo de éste ni en la clavija o en alguno de sus extremos.

Al alejar su refrigerador de la pared, cuide que no pase sobre el cable o lo dañe.

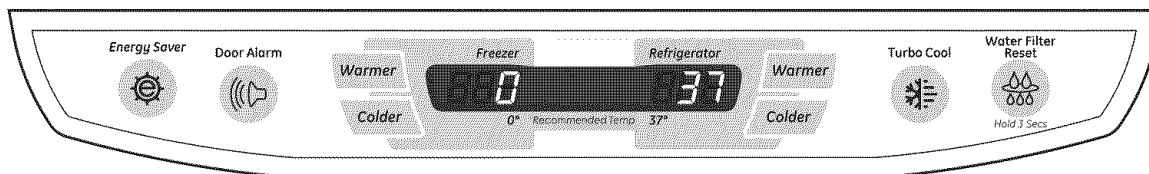


*FAVOR DE LEER Y SEGUIR CUIDADOSAMENTE LAS PRECAUCIONES DE SEGURIDAD.*

**GUARDE ESTAS INSTRUCCIONES**

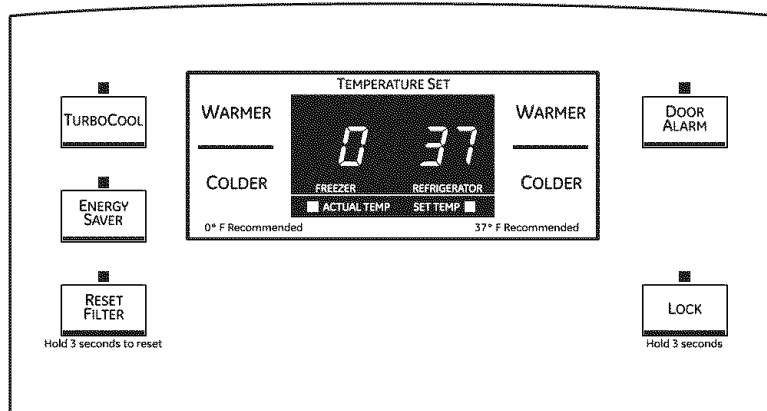
# Los controles con niveles de temperaturas. (para otros modelos, vea la página siguiente)

Seguridad



(en algunos modelos)

Operación



(en algunos modelos)

**NOTA:** El refrigerador se envía con una película de protección que cubre los controles de la temperatura. Si esta película no se retiró durante la instalación, hágalo ahora.

Los controles de temperatura vienen preconfigurados de fábrica a **37° F** tanto para el compartimento del refrigerador y a **0° F** para el compartimento del congelador. Deje pasar 24 horas para que la temperatura se estabilice en los niveles preconfigurados.

Los controles de la temperatura pueden exhibir tanto la temperatura establecida (**SET**) como la temperatura real en el refrigerador y en el congelador. La temperatura real puede variar ligeramente de la temperatura fijada según su uso y el ambiente de operación.

Ajustar uno o ambos controles a la posición **OFF** (APAGADO) detiene la refrigeración tanto en el compartimento del congelador como en el refrigerador, pero no interrumpe el suministro eléctrico hacia el refrigerador.

## Cómo cambiar la temperatura

### Para modelos con controles en la puerta:

**Para cambiar la temperatura**, presione y libere el botón **WARMER** (MÁS CALIENTE) o **COLDER** (MÁS FRÍO). La luz de **ACTUAL TEMP** (temp real) se encenderá y la pantalla mostrará la temperatura real. Para cambiar la temperatura, pulse el botón **WARMER** (más caliente) o **COLDER** (más frío) hasta que aparezca la temperatura deseada.

### Para controles dentro del refrigerador:

Al abrir la puerta puede verse la temperatura real. Para cambiar la temperatura, presione las almohadillas **WARMER** (más caliente) o **COLDER** (más frío) hasta visualizar la temperatura deseada.

Una vez la temperatura deseada haya sido ajustada, la pantalla de la temperatura regresará a las temperaturas reales del refrigerador y del congelador después de 5 segundos. Puede que

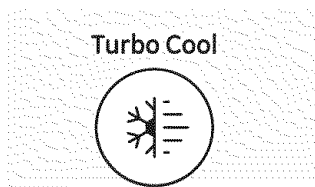
sean necesarios varios ajustes. Cada vez que usted ajuste los controles, permita que transcurran 24 horas para que el refrigerador alcance la temperatura que usted ha ajustado.

**Para apagar el sistema de enfriamiento**, pulse el botón **WARMER** (MÁS CALIENTE) para el refrigerador o el congelador hasta que la pantalla muestre **OFF** (Apagado). **Para accionar la unidad una vez más**, presione el botón **COLDER** (MÁS FRÍO), para el refrigerador o el congelador. Entonces presione otra vez e irá a los puntos preajustados de **0° F** para el congelador y **37° F** para el refrigerador. Ajustar uno o ambos controles a la posición **OFF** (APAGADO) detiene la refrigeración tanto en el compartimento del congelador como en el refrigerador, pero no interrumpe el suministro eléctrico hacia el refrigerador.

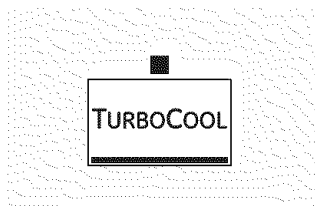
Instalación

Solucionar problemas

Servicio al consumidor



(en algunos modelos)



(en algunos modelos)

## Cómo funciona

**TurboCool** enfría rápidamente el compartimiento del refrigerador para enfriar los alimentos más rápidamente. Use **TurboCool** cuando agregue grandes cantidades de alimentos al compartimiento del refrigerador, guardando alimentos después de que han estado expuestos a temperatura ambiental o cuando se disponga a guardar comida sobrante. También puede ser usado si el refrigerador ha estado sin suministro eléctrico por un período extenso.

Una vez activado, el compresor se encenderá inmediatamente y los ventiladores harán el ciclo de encendido y apagado a altas velocidades, según sea necesario por ocho horas. El compresor continuará funcionando hasta que el compartimiento del refrigerador se refrigere a aproximadamente 34° F (1° C), luego hará el ciclo de encendido y apagado para mantener este ajuste. Después de 8 horas, o si el **TurboCool** es presionado otra vez, el compartimiento del refrigerador regresará al ajuste original.

## Cómo usar

Presione **TurboCool**. La temperatura del refrigerador mostrará **εc**.

Después de que **TurboCool** sea completado, el compartimiento del refrigerador regresará al ajuste original.

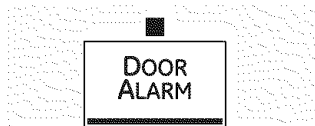
**NOTAS:** La temperatura del refrigerador no puede cambiarse durante **TurboCool**.

La temperatura del congelador no es afectada durante **TurboCool**.

Cuando abra la puerta del refrigerador durante **TurboCool**, los ventiladores continuarán funcionando si han hecho el ciclo de encendido.



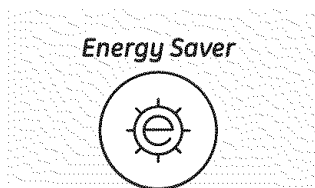
(en algunos modelos)



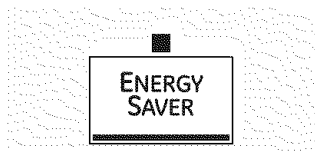
(en algunos modelos)

## Sobre la alarma de la puerta (en algunos modelos)

La alarma de la puerta comenzará a sonar si cualquier de las puertas queda abierta por más de 2 minutos. Una vez que se cierra la puerta, el sonido para.



(en algunos modelos)



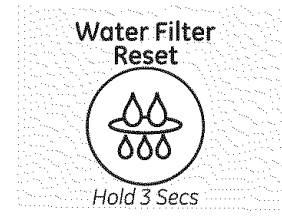
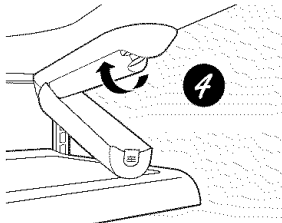
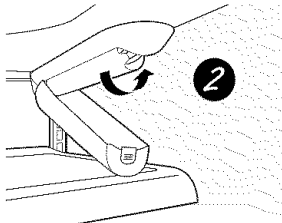
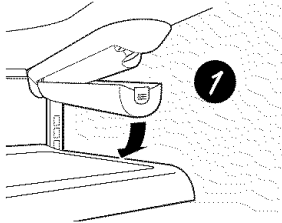
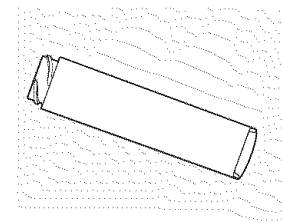
(en algunos modelos)

## Sobre Energy Saver (Ahorro de Energía) (en algunos modelos)

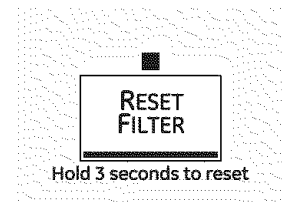
Este producto está equipado con una característica de ahorro de energía. El refrigerador se empaqueta con la característica de ahorro de energía activada.

Con el tiempo, puede formarse humedad en la superficie frontal del gabinete del refrigerador y provocar herrumbre. Si aparece humedad en la superficie frontal del gabinete del refrigerador, apague la característica de ahorro de energía presionando y liberando la almohadilla **ENERGY SAVER** en el panel de control.

## El filtro de agua. (en algunos modelos)



(En algunos modelos)



(En algunos modelos)

### Cartucho del filtro

El cartucho del filtro de agua está ubicado en la esquina superior derecha trasera del compartimento del refrigerador.

### Reemplazar el filtro

Hay una luz indicadora de reemplazo del cartucho del filtro de agua en la pantalla de temperatura. Si se enciende una luz de color naranja, se debe cambiar el filtro en poco tiempo. El cartucho del filtro debe cambiarse si se enciende una luz de color rojo o si disminuye el flujo de agua hacia el dispensador o hacia el dispositivo para hacer hielo.

### Instalar el cartucho del filtro

- 1 Si está reemplazando el cartucho, primero retire el anterior. Abra la tapa del cartucho presionando la pestaña al frente y halando hacia abajo.
  - 2 Retire el cartucho rotándolo lentamente en contra del sentido de las agujas del reloj. Es posible que caiga una pequeña cantidad de agua.
- ⚠ PRECAUCIÓN:** Si se ha quedado aire atrapado en el sistema, el cartucho del filtro podría ser expulsado conforme es removido. Use precaución cuando lo remueva.

- 3 Retire el papel de aluminio protector del extremo del cartucho.
- 4 Alinee la flecha del cartucho y el soporte del cartucho, lentamente rote el cartucho en sentido de las agujas del reloj hasta que pare. Cuando el cartucho está instalado apropiadamente, usted siente un "clic" cuando encaja en su lugar. La manija en el extremo del cartucho debería estar colocada verticalmente. **No lo apriete demasiado.**
- 5 Cierre la tapa del cartucho.
- 6 Pase agua por el dispensador por 3 minutos (aproximadamente 1½ galones) para despejar el sistema y para evitar chisporroteos. Ver la sección *Cómo usar el dispensador*.
- 7 Presione la tecla de **RESET WATER FILTER** (resetear el filtro de agua) y sostenga durante 3 segundos.

**NOTA:** Un cartucho del filtro recién instalado **podría causar que el agua chisporrotee** desde el dispensador.

### Tapón de derivación del filtro

Se debe usar el tapón de derivación del filtro cuando un cartucho de filtro de reemplazamiento no se puede encontrar. El dispensador y el dispositivo para hacer hielo no pueden funcionar sin el filtro o sin el tapón de derivación del filtro.

### Filtros de recambio:

**Para pedir cartuchos adicionales en los Estados Unidos, visite nuestro sitio Web, [ge.com](http://ge.com), o llame a GE para partes y accesorios al 800.626.2002.**

Modelo GSWF

No todas las características están presentes en todos los modelos.

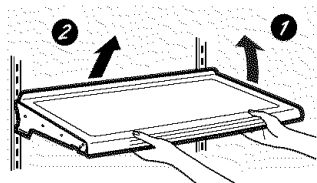
## Reorganización de los estantes

Los estantes en el compartimiento del refrigerador son ajustables.

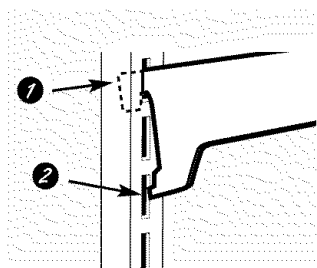
### Compartimiento del refrigerador

#### Para quitar:

- 1 Quite todos los elementos del estante.
- 2 Incline el estante en la parte del frente.
- 3 Levante el estante hacia arriba en la parte de atrás y saque el estante.



Algunos modelos tienen estantes con cable que pueden ajustarse de la misma manera.

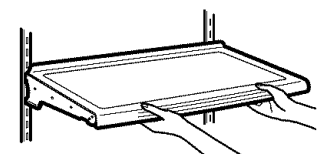


#### Para reemplazarlo:

- 1 Mientras inclina el estante hacia arriba, inserte el gancho superior en la parte posterior del estante en la ranura de la corredera.
- 2 Baje el frente del estante hasta que la parte inferior del estante se ajuste en su lugar.

## Estantes a prueba de salpicaduras (en algunos modelos)

Los estantes a prueba de salpicaduras tienen bordes especiales para evitar que las salpicaduras se rieguen a los estantes inferiores. Para retirar o reemplazar los estantes, vea *Reorganización de los estantes*.

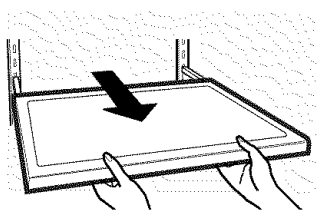


## Estante deslizante a prueba de salpicaduras (en algunos modelos)

El estante deslizante a prueba de salpicaduras le permite alcanzar alimentos almacenados detrás de otros. Los bordes especiales están diseñados para ayudar a evitar que las salpicaduras se rieguen a los estantes inferiores.

#### Para retirarlo:

- 1 Retire todos los alimentos del estante.
- 2 Deslice el estante hacia fuera hasta que pare.
- 3 Levante el borde del frente del estante hasta que las pestañas centrales estén por encima de la barra del frente.
- 4 Continúe halando el estante hacia delante hasta que se pueda retirar.



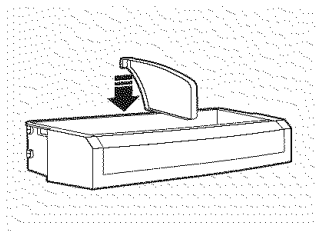
#### Para reemplazarlo:

- 1 Coloque las pestañas del estante posterior justo al frente de las muescas centrales en el marco del estante.
- 2 Deslice el estante hasta que las pestañas centrales estén ligeramente detrás de la barra frontal.
- 3 Baje el estante a su lugar hasta que esté horizontal y deslice el estante.

Asegúrese de que el estante esté plano después de la reinstalación y no se mueva libremente de lado a lado.

Asegúrese de que empuje los estantes completamente antes de cerrar la puerta.

## Sobre los estantes y compartimientos.



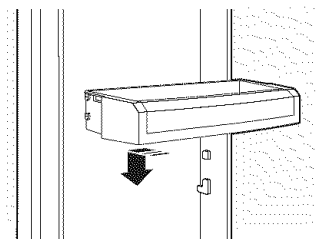
### Compartimientos ajustables en la puerta

Los compartimientos ajustables pueden llevarse fácilmente del refrigerador al área de trabajo.

**Para retirarlos:** Levante el estante recto y luego hálelo.

**Para reemplazar o cambiar de lugar:** Deslice el compartimiento justo encima de los soportes de la puerta, y presione hacia abajo. El compartimiento se trabará en su lugar.

**El reborde** ayuda a evitar la caída, derramamiento o deslizamiento de elementos pequeños que se almacenen en el estante de la puerta. Agarre el retenedor del dedo cerca de la parte posterior del reborde y muévelo para ajustarlo a sus necesidades.



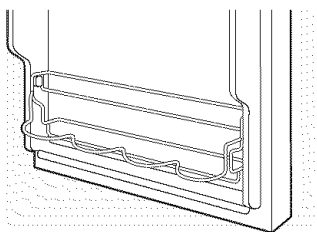
### Compartimientos no ajustables en la puerta

**Para retirarlos:** Levante el compartimiento recto y luego hálelo.

**Para reemplazarlos:** Inserte el compartimiento en los soportes moldeados en la puerta y empuje hacia abajo. Éste se ajustará en su lugar.

## Sobre las características adicionales.

No todas las características están presentes en todos los modelos.



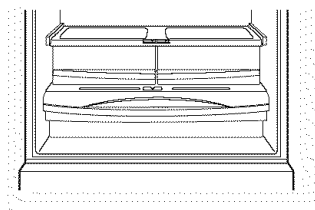
### Estante para bebidas no ajustable

**Para quitar:** Levante el estante hacia arriba, luego tire hacia afuera.

**Para volver a colocar:** Enganche el estante en los soportes moldeados de la puerta y presione hacia abajo. Se trabará en su lugar.

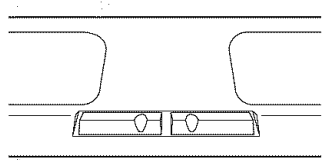


No todas las características están presentes en todos los modelos.



## Gaveta preservadora de frutas y vegetales

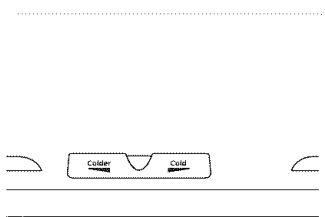
El exceso de agua que pueda acumularse al fondo de las gavetas debe retirarse y se deben limpiar las gavetas.



## Gaveta preservadora de humedad ajustable (en algunos modelos)

Deslice el control completamente hasta la posición **HIGH** (alto) para ofrecer la alta humedad recomendada para la mayoría de los vegetales.

Lleve el control por completo hasta la posición **LOW** (bajo) para ofrecer los niveles bajos de humedad recomendados para la mayoría de las frutas.



## Contenedor para Deli de temperatura ajustable (en algunos modelos)

Deslice el control por completo hacia el extremo izquierdo para la temperatura más fría.

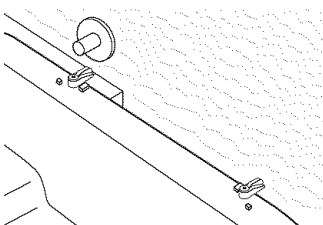
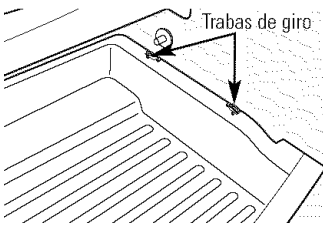
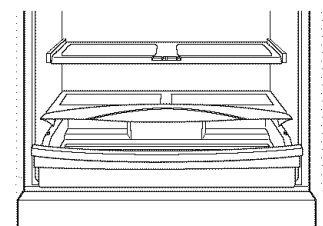
## Cómo quitar y volver a colocar la bandeja para fiambres

### Para quitar:

- 1 Quite los estantes de frutas y vegetales.
- 2 Tire del cajón hacia afuera hasta que se detenga.

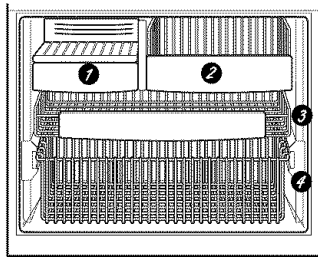
### Para volver a colocar:

- 1 Verifique que las cuatro trabas se encuentren en la posición destrabada.
- 2 Coloque los lados del cajón en los soportes, asegurando que las trabas de giro encajen en las ranuras del cajón.
- 3 Ajuste las cuatro trabas girándolas a la posición de trabado.
- 3 Levante la tapa para poder acceder a las 4 trabas de giro.
- 4 Gire las cuatro trabas de giro hasta destrabarlas.
- 5 Levante el frente del cajón hacia arriba y luego afuera.
- 4 Baje la tapa y deslice el cajón hacia adentro.
- 5 Vuelva a colocar los estantes de frutas y vegetales.



# Sobre el congelador.

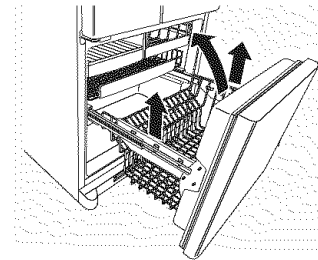
No todas las características están presentes en todos los modelos.



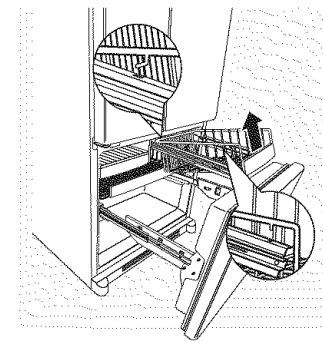
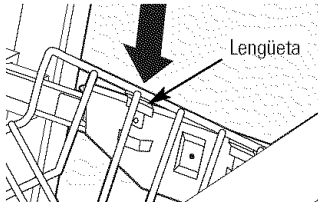
El aspecto y las características pueden variar

## Estantes y canastas del congelador

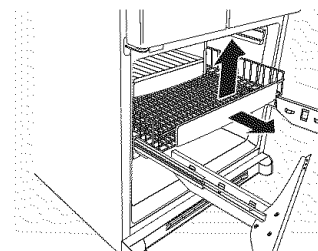
- 1 Un estante por encima del recipiente para hielo
- 2 Una canasta de ancho medio
- 3 Una canasta poco profunda de ancho completo
- 4 Una canasta profunda de ancho completo



El aspecto puede variar



El aspecto puede variar



El aspecto puede variar

## Retiro de la canasta

Para retirar la canasta profunda de ancho completo en los modelos con gaveta del congelador:

- 1 Abra la gaveta del congelador hasta que pare.
- 2 La canasta del congelador se apoya sobre las lengüetas internas de los deslizadores del cajón.
- 3 Levante la canasta para liberar las 4 lengüetas del soporte deslizador.
- 4 Incline la canasta y sáquelo del cajón.
- 5 Verifique que las mangas plásticas continúen unidas a las 4 lengüetas de los soportes deslizables.

Para retirar la canasta de ancho medio:

- 1 Hale la canasta hacia fuera hasta el punto del freno.
- 2 Levante la canasta hacia arriba en el frente para liberarla de las correderas.
- 3 Levante la parte posterior hacia arriba y hacia fuera de la corredera.

Para retirar la canasta poco profunda de ancho completo:

- 1 Hale la canasta hacia fuera en el punto del freno.
- 2 Levante el frente hacia arriba y por encima el punto de freno.
- 3 Levante la canasta hacia arriba y hacia fuera.

Cuando vuelva a colocar la canasta profunda de ancho completo:

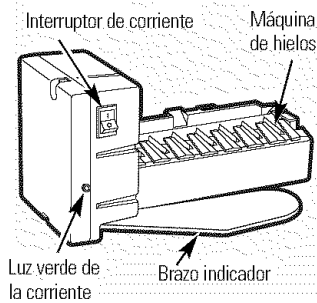
Incline la canasta hacia atrás y descíndala en el cajón. Gire la canasta a la posición horizontal y presiónela hacia abajo dentro de las 4 lengüetas de alineación.

**NOTA:** Siempre verifique que las 4 lengüetas de la canasta estén enganchadas en los soportes deslizadores antes de deslizarla dentro del freezer.

**Al reemplazar la canasta,** cerciórese de que las pestañas y los ganchos metálicos en los costados de la canasta encajen arriba de la parte superior de las correderas de la canasta.

**NOTA:** Siempre cerciórese de cerrar completamente la canasta.

Un refrigerador recientemente instalado puede tomar entre 12 y 24 horas para empezar a hacer hielo.



## Máquina de hielo automática

(en algunos modelos)

La máquina de hielos producirá siete cubos por ciclo, aproximadamente entre 100 y 130 cubos en un periodo de 24 horas, dependiendo de la temperatura del compartimiento del congelador, la temperatura del cuarto, el número de veces que se abre la puerta y otras condiciones de uso.

Vea más abajo para la forma de alcanzar el hielo y el interruptor eléctrico.

Si el refrigerador se opera antes de hacer la conexión del agua hacia la máquina de hielo, fije el interruptor de corriente en la posición **0 (apagado)**.

Cuando se haya conectado el refrigerador al suministro de agua, fije el interruptor de corriente en la posición **1 (encendido)**. La luz de encendido del dispositivo de hacer hielo será de color verde cuando el interruptor de la luz del congelador esté pulsado o cuando la puerta del congelador se encuentre cerrada.

La máquina de hielos se llenará de agua cuando se enfríe a  $-10^{\circ}\text{C}$  ( $15^{\circ}\text{F}$ ). Un refrigerador recién

instalado se puede tomar entre 12 y 24 horas para empezar a hacer cubos de hielo.

Escuchará un zumbido cada vez que la máquina de hielos se llene de agua.

Deseche los primeros cubos de hielo para permitir que la línea del agua se limpie.

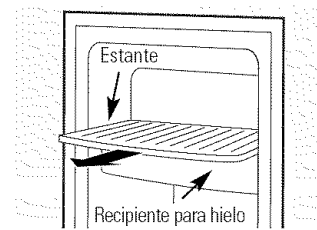
Asegúrese de que nada interfiera con el movimiento del brazo indicador.

Cuando el contenedor se llene al nivel del brazo indicador, la máquina de hielos dejará de producir hielos. Es normal que varios cubos de hielo se junten.

Si el hielo no se usa con frecuencia, los cubos de hielo viejo se volverán turbios, con sabor rancio y se encogerán.

**NOTA:** En hogares con presión de agua inferior al promedio, es posible que escuche el ciclo de la máquina de hielos varias veces al hacer un lote de hielo.

**NOTA:** Configure el interruptor de energía en la posición **0 (apagado)** si el suministro de agua está apagado.



Para alcanzar el interruptor eléctrico.

## Cómo alcanzar el hielo y el interruptor eléctrico

**Para alcanzar el interruptor eléctrico de la máquina de hielos,** hale el estante por encima del recipiente para hielo directamente hacia fuera. Siempre cerciórese de reemplazar el estante.

**Para alcanzar el hielo,** simplemente hale el recipiente hacia delante.

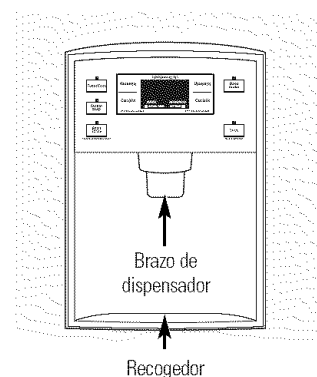


Para alcanzar el hielo

## Kit de accesorios de la máquina de hielos

Si su refrigerador no viene ya equipado con una máquina de hielos automática, existe un kit accesorio para la máquina de hielos que está disponible por un costo adicional.

Revise en la parte posterior del refrigerador en busca del kit para la máquina de hielos específica que necesita para su modelo.



## Para usar el dispensador externo (en algunos modelos)

Presione el vaso suavemente contra el brazo del dispensador.

El recogedor no se vacía solo. Para evitar las manchas de agua, el recogedor y la parrilla se deberán limpiar regularmente.

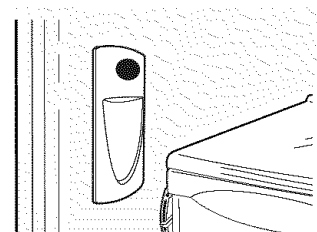
Si no hay distribución de agua cuando el refrigerador está primeramente instalado, hay posibilidad de aire en el sistema de la línea de agua. Oprima el brazo del dispensador durante al menos dos minutos para eliminar el aire atrapado de la línea de agua y llenar el sistema. Para eliminar las impurezas de la línea de agua, deseche los primeros seis vasos de agua.

## Para bloquear el dispensador

Presione la tecla **LOCK** (Bloqueo) durante 3 segundos para cerrar el dispensador y el panel de control. Para desbloquearlo, presione la misma tecla durante 3 segundos nuevamente.

## Door Alarm (Alarma de puerta)

Para configurar la alarma, presione la almohadilla **DOOR ALARM** (alarma de puerta). La luz indicadora se iluminará. Esta alarma sonará si cualquiera de la puerta estuviera abierta por más de 2 minutos. El sonido cesa automáticamente al cerrarse la puerta.



## Para usar el dispensador interno (en algunos modelos)

El dispensador de agua está ubicado en la pared izquierda dentro del compartimiento del refrigerador.

**Para dispensar agua:**

- 1 Sostenga el vaso contra el hueco.
- 2 Presione el botón dispensador de agua.
- 3 Sostenga el vaso debajo del dispensador entre 2 y 3 segundos luego de liberar el botón del dispensador. Es posible que continúe dispensando agua luego de que el botón fue liberado.

Si no se dispensa agua cuando el refrigerador se instala por primera vez, es posible que la cañería de agua contenga aire. Presione el botón dispensador durante por lo menos 2 minutos para eliminar el aire atrapado de la cañería de agua y para llenar el sistema de agua. Durante este proceso, es posible que el dispensador produzca un ruido fuerte a medida que se elimina el aire de la cañería de agua. A fin de limpiar las impurezas en la cañería de agua, descarte los primeros 6 vasos de agua.

**NOTA:** A fin de evitar depósitos de agua, el dispensador debe ser limpiado en forma periódica con un paño limpio o una esponja.

# Cuidado y limpieza del refrigerador.

Seguridad

Operación

Instalación

Solucionar problemas

Servicio al consumidor

## Limpiar el exterior

**Las manijas de la puerta y los ornamentos.** Se limpian con un paño humedecido con una solución de detergente suave y agua. Seque con un paño suave. No use cera en las manijas de la puerta ni en los ornamentos.

**Mantenga limpio el terminado.** Limpie con un paño limpio ligeramente humedecido con cera para aparatos de cocina o un detergente suave y agua. Seque y pula con un paño limpio y suave.

*No limpie el refrigerador con un paño sucio para trastes ni con un paño húmedo. Estos podrían dejar residuos que afecten a la pintura. No use estropajos, limpiadores en polvo, blanqueadores ni limpiadores que contengan blanqueador, ya que estos productos podrían rayar y desprender el acabado de pintura.*

**Los paneles y las manijas de las puertas de acero inoxidable.** Acero inoxidable (en algunos modelos) pueden ser limpiados con un limpiador para acero inoxidable para usos comerciales.

No utilice cera para electrodomésticos sobre el acero inoxidable.

**Piezas plásticas plateadas.** Lave las piezas con jabón u otro detergente suave. Limpie con una esponja, paño húmedo o toalla de papel.

No raspe con esponjillas de metal u otros limpiadores abrasivos.

## Limpiar el interior

**Para evitar olores,** deje una caja abierta de bicarbonato de sodio en los compartimientos del refrigerador y del congelador.

**Desconecte el refrigerador antes de limpiarlo.** Si no fuera posible, exprima el exceso de humedad de la esponja o del paño cuando se limpie alrededor de botones, bombillas o controles.

Use cera para electrodomésticos en el interior entre las puertas.

Use agua caliente y una solución de bicarbonato de sodio—aproximadamente una cucharada (15 ml) de bicarbonato de sodio por cada cuarto (1 litro) de agua. Esta solución limpia y neutraliza olores. Enjuague y seque.

Después de limpiar los sellos magnéticos de las puertas, aplique una capa delgada de vaselina del lado de la bisagra. Esto ayuda a evitar que los sellos magnéticos se doblen o se peguen.

*Evite limpiar los estantes de vidrio fríos con agua caliente, ya que la extrema diferencia de temperatura puede hacer que se quiebren. Maneje los estantes de vidrio con cuidado. Chocar vidrio templado puede hacer que se rompa en pedazos.*

*No lave partes plásticas del refrigerador en el lavaplatos.*

**Piezas plásticas plateadas.** Limpie las piezas con agua jabonosa. Limpie con una esponja, paño húmedo o toalla de papel.

No raspe con esponjillas de metal u otros limpiadores abrasivos.

### **Atrás del refrigerador**

Se deberá tener cuidado al retirar el refrigerador de la pared. Todos los tipos de recubrimiento de pisos se pueden dañar, sobre todo los recubrimientos acojinados y los que tienen superficies repujadas.

Eleve las patas niveladoras ubicadas en la parte inferior frontal del refrigerador.

Hale el refrigerador en forma recta y empuje nuevamente para devolverlo a su posición. Mover el refrigerador

en dirección lateral puede causar daños al recubrimiento del piso o al refrigerador.

Baje las patas niveladoras hasta que toquen el piso.

*Al empujar el refrigerador a su lugar, asegúrese de no pasar sobre el cable eléctrico ni sobre la línea de alimentación de la máquina de hielos (en algunos modelos) y asegure que el soporte anti-volcaduras esté accionado (si corresponde).*

### **Preparación para vacaciones**

En el caso de vacaciones o ausencias prolongadas, quite los alimentos y desenchufe el refrigerador. Limpie el interior con solución de bicarbonato de una cucharada (15 ml) de bicarbonato por un cuarto (1 litro) de agua. Deje abiertas las puertas.

Coloque el interruptor de alimentación eléctrica de la máquina de hielo en la posición **O (apagado)** y cierre el suministro de agua al refrigerador.

Si la temperatura pueda llegar al punto de congelación, haya una persona calificada para desaguar el sistema del suministro de agua para evitar daños a la propiedad causados por inundación.

### **En caso de mudanza**

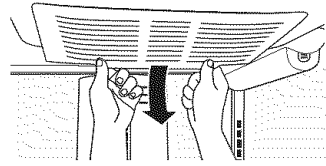
Asegure todos los elementos sueltos como parilla de la base, entrepaños y recipientes pegándolos con cinta adhesiva en su lugar para evitar daños.

Al usar una carretilla para mover el refrigerador, no haga descansar la parte frontal o trasera del refrigerador contra la carretilla. Esto podría dañar el refrigerador. Manéjelo sólo desde los laterales del refrigerador.

*Asegúrese de que el refrigerador se coloque en posición vertical durante la mudanza.*

# Cómo reemplazar las bombillas.

Girar el control a la posición **0 (apagado)** no elimina la corriente en el circuito de luces.



## Luces del refrigerador (en algunos modelos)

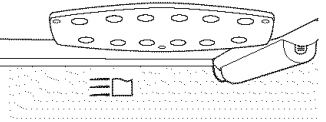
**⚠ PRECAUCIÓN:** Las bombillas podrían estar calientes.

- 1 Desconecte el refrigerador.
- 2 Para retirar el protector de la luz, tome el protector por la parte posterior y hale hacia fuera para liberar las pestañas en la parte posterior.
- 3 Rote el protector hacia abajo y luego hacia delante para liberar las pestañas al frente del protector.

4 Después de reemplazarlo con una bombilla de electrodomésticos del mismo o de inferior voltaje, reemplace el protector.

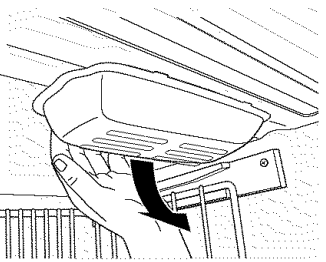
5 Conecte de nuevo el refrigerador.

**NOTA:** Las bombillas del artefacto pueden solicitarse en Piezas y Accesorios de GE, 800.626.2002.



## Luces LED del refrigerador (en algunos modelos)

Un técnico autorizado debe reemplazar la luz LED.



El aspecto puede variar

## Luz del congelador

**⚠ PRECAUCIÓN:** Las bombillas podrían estar calientes.

- 1 Desconecte el refrigerador.
- 2 La bombilla está ubicada en la parte superior del compartimiento del congelador al interior de un protector para la luz. Para retirar el protector, tome el protector por la parte posterior y hale hacia fuera para liberar las pestañas en la parte posterior.
- 3 Rote el protector hacia abajo y luego hacia delante para liberar las pestañas al frente del protector.

4 Después de reemplazarlo con una bombilla de electrodomésticos del mismo o de inferior voltaje, reemplace el protector.

5 Conecte de nuevo el refrigerador.

# Equipos de recorte y paneles de decoración.

Para modelos que requieren paneles

Lea estas instrucciones por completo y con detenimiento.



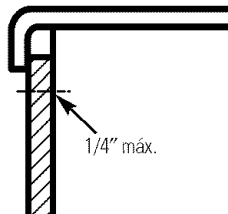
## Antes de comenzar

Algunos modelos están equipados con equipos de recorte que le permiten instalar paneles de puerta. Usted puede solicitar paneles de decoración pre-cortados negros u blancos en Piezas y Accesorios de GE, 800.626.2002, o puede agregar paneles de madera para hacer juego con los gabinetes de su cocina.

### Paneles de menos de 1/4" (6 mm) de grosor

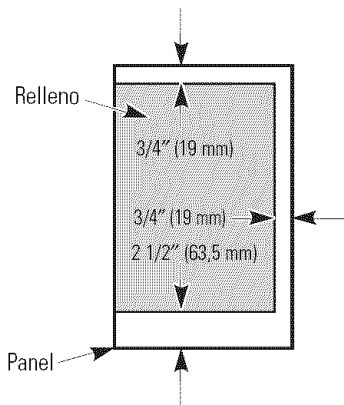
Cuando instale paneles de madera de menos de 1/4" (6 mm) de grosor, necesitará crear un panel de relleno, como un cartón de 1/8" (3 mm), que debe ir entre el frente de la puerta y el panel de madera. Si va a instalar los paneles de decoración pre-cortados, en el kit se incluyen paneles de relleno precortados. El grosor combinado del panel de decoración o de madera y el panel de relleno debe ser de 11/32" (8,7 mm) y el panel mismo no debe ser mayor a 1/4" (6 mm).

Paneles de 1/4" de grosor o menos

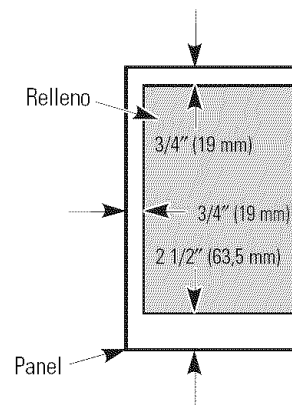


La manija y los recortes superior e inferior quedan frente a la superficie de la puerta, lo que requiere que el relleno tenga una longitud y ancho menores al panel. Utilice las guías de abajo y pegue con cinta el relleno a la parte trasera del panel.

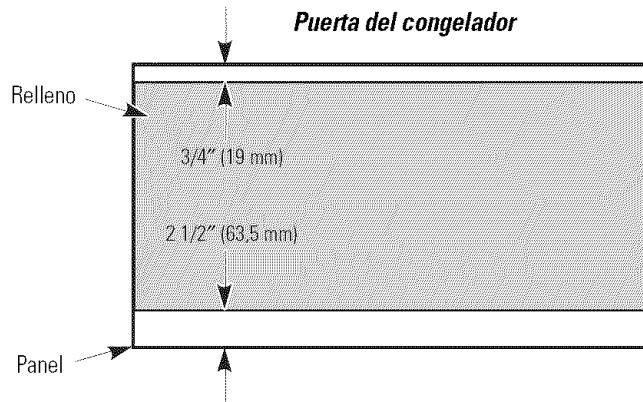
### Puerta izquierda de alimentos frescos



### Puerta derecha de alimentos frescos



### Puerta del congelador



Seguridad

Operación

Instalación

Solucionar problemas

Servicio al consumidor

# Equipos de recorte y paneles de decoración.

Seguridad

## 3/4" (19 mm) o panel elevado

Puede utilizarse un diseño de panel elevado atornillado o pegado a un soporte de un grosor de 1/4" (6 mm), o una placa fresada de 3/4" (19 mm). La parte elevada del panel debe fabricarse para permitir espacios libres de por lo menos 2" (5,1 cm) desde el lado de la manija para que haya espacio para los dedos.

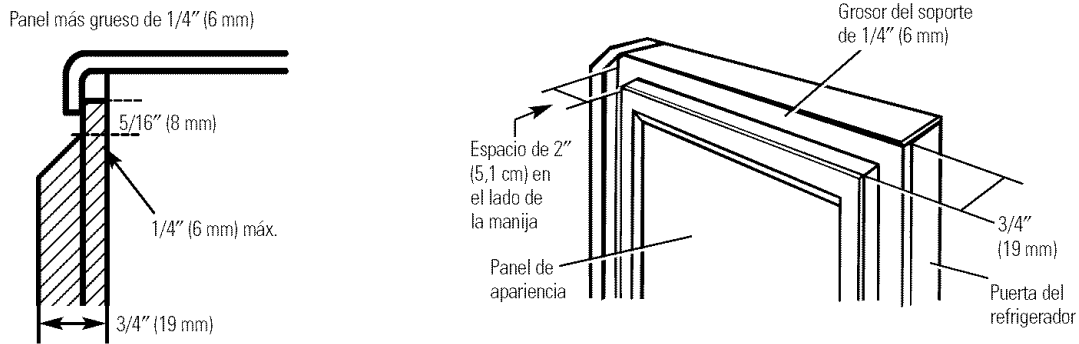
Los paneles de grosor mayor a 1/4" (6 mm), hasta un máximo de 3/4" (19 mm), requerirán que el perímetro externo del panel de 5/16" (8 mm) no sea más grueso de 1/4" (6 mm).

Limitaciones de peso para paneles a medida:

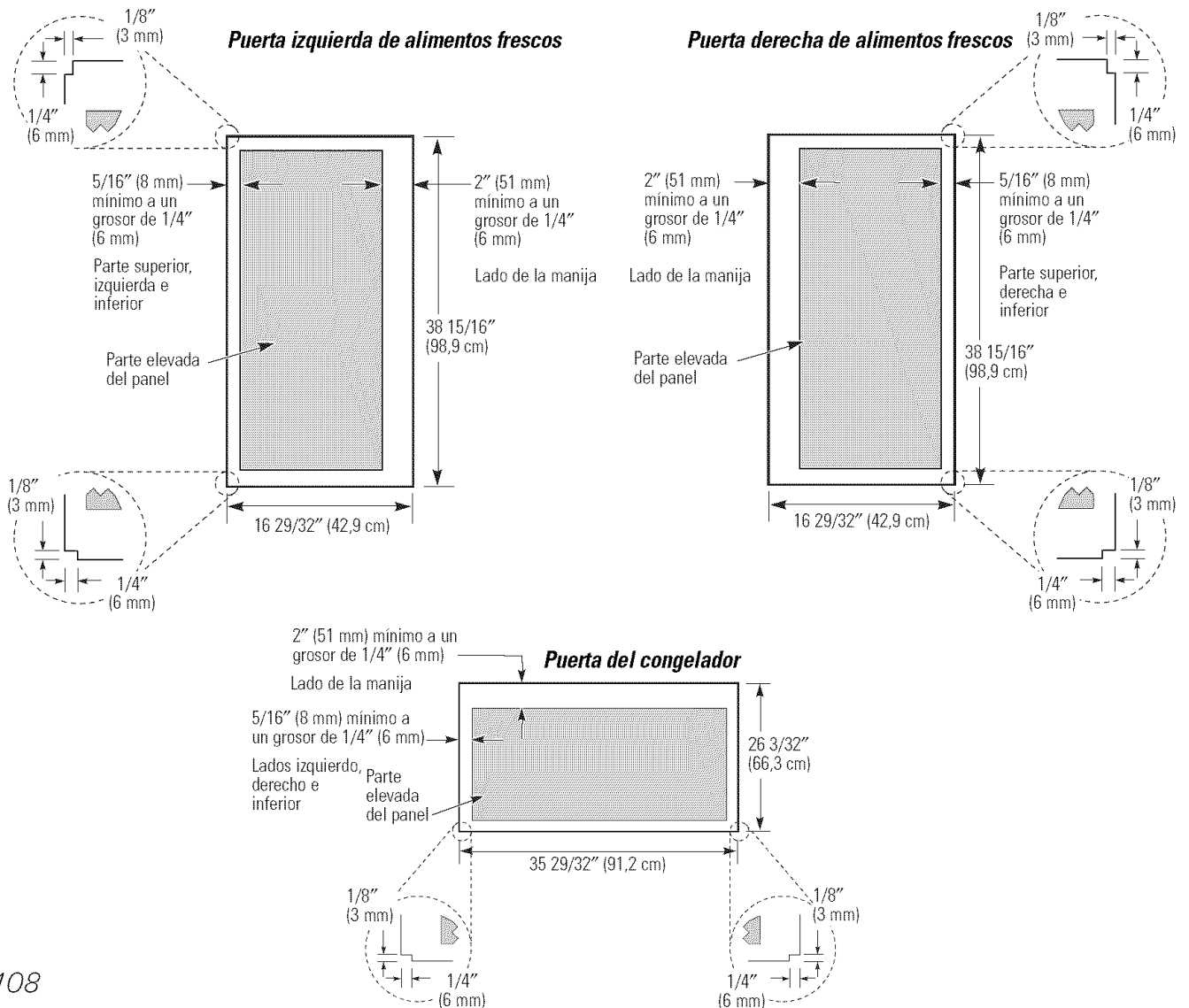
Alimentos frescos 10 lbs. (4,5 kg) máx. para cada puerta

Puerta del congelador 18 lbs. (8 kg) máx.

Operación



## Dimensiones para paneles de madera a medida



Instalación

Solucionar problemas

Servicio al consumidor



# Instrucciones para la Instalación

# Refrigerador

Modelos 21 y 25

¿Preguntas? Llame al 800.GE.CARES (800.432.2737) o bien Visite nuestra página Web: [ge.com](http://ge.com)

## ANTES DE INICIAR

Lea estas instrucciones completa y cuidadosamente.

- **IMPORTANTE** — Guarde estas instrucciones para uso del inspector local.
- **IMPORTANTE** — Observe todos los códigos y órdenes de ley.
- **Nota al instalador** – Asegúrese de dejar estas instrucciones con el consumidor.
- **Nota al consumidor** – Conserve estas instrucciones para referencia futura.
- **Nivel de destreza** – La instalación de este aparato requiere de destrezas mecánicas básicas.
- **Tiempo de ejecución** – Instalación del refrigerador 20 minutos  
Instalación de la línea de agua 30 minutos  
Instalación del soporte anti-volcaduras 20 minutos
- La instalación apropiada es la responsabilidad del instalador.
- La falla del producto debido a una instalación inadecuada no está cubierta por la garantía.

## PREPARACIÓN

### CÓMO MOVER EL REFRIGERADOR AL INTERIOR

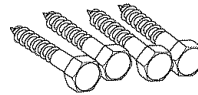
Si el refrigerador no entra por una puerta, se pueden retirar la puerta del refrigerador y la gaveta del congelador.

- Para retirar la puerta del refrigerador, consulte el Paso 1 en la sección *Cómo invertir el vaivén de la puerta*.
- Para retirar la gaveta del congelador, consulte la sección *Cómo retirar la gaveta del congelador*.

### SUMINISTRO DE AGUA HACIA LA MÁQUINA DE HIELOS Y EL DISPENSADOR (EN ALGUNOS MODELOS)

Si el refrigerador tiene una máquina de hielos, se tendrá que conectar a una tubería de agua potable fría. Un kit de suministro de agua (contiene tubería de cobre, válvula de cierre, accesorios e instrucciones) está disponible con un costo adicional a través de su proveedor, visitando nuestra página Web [ge.com](http://ge.com) o bien a través de Partes y Accesorios, 800.626.2002.

## MATERIALES QUE NECESITA (no incluidos)



Pernos de fijación



Mangos de anclaje

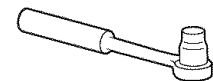
Broca de perforadora apropiada para anclajes

Para el soporte anti-volcaduras montado sólo en pisos de HORMIGÓN

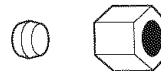
## HERRAMIENTAS QUE USTED PUEDE NECESITAR



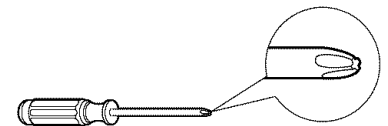
Llave ajustable



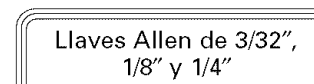
Destornillador de casquillo de 3/8" y de 10 mm



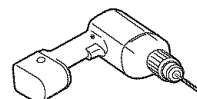
Tuerca de compresión de 1/4" y férula (manga) (modelos con máquina de hielos solamente)



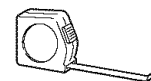
Destornillador Phillips



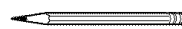
Llaves Allen de 3/32", 1/8" y 1/4"



Broca de perforadora de 1/8" y perforadora eléctrica o de mano



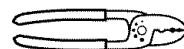
Cinta métrica



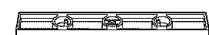
Lápiz



Llave de tuercas de 1/4"



Pinza corta alambres

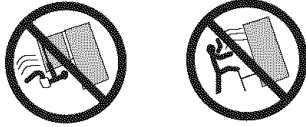


Nivel

# Instrucciones para la instalación

## CÓMO INSTALAR EL SOPORTE DE PISO ANTI-VOLCADURAS (en modelos de 21 pies)

### ⚠ ADVERTENCIA



En ciertas circunstancias, este refrigerador puede inclinarse hacia adelante.

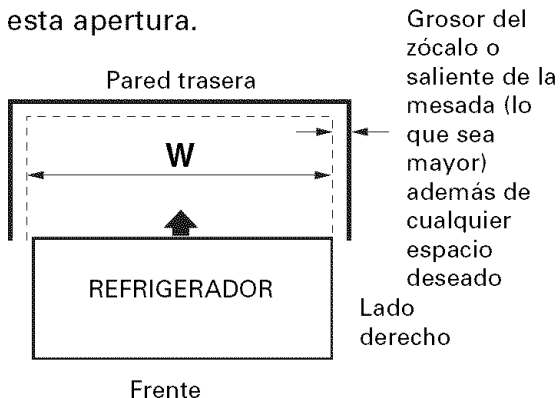
Pueden provocarse lesiones personales.

Instale el soporte anti-volcaduras incluido con este refrigerador.

### 1 MIDA LA APERTURA DEL GABINETE DISPONIBLE EN RELACIÓN AL ANCHO DEL REFRIGERADOR

Mida el ancho de la apertura del gabinete donde se colocará el refrigerador, W.

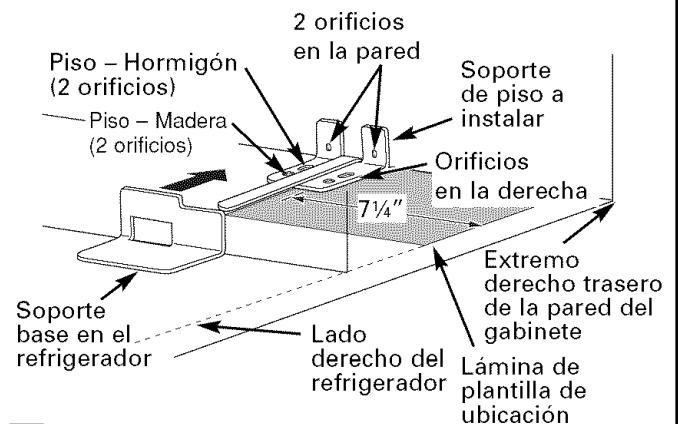
Tenga en cuenta cualquier saliente de la mesada, el grosor del zócalo y cualquier espacio deseado. El ancho, W, no debe ser menor a las 36 pulgadas. El refrigerador deberá colocarse aproximadamente en la mitad de esta apertura.



### 2 CÓMO UBICAR EL SOPORTE DE PISO ANTI-VOLCADURAS

A Coloque la plantilla de ubicación del soporte de piso anti-volcaduras (incluida en el kit anti-volcaduras) sobre el piso contra la pared trasera, dentro de W, alineada con la ubicación deseada del lado derecho del refrigerador (ver Figura 1).

Figura 1 – Perspectiva general de la instalación



B Coloque el soporte de piso anti-volcaduras sobre la plantilla de ubicación con los orificios de piso derechos alineados con los orificios de piso indicados en la lámina de plantilla, aproximadamente 7 1/4" desde el extremo de la lámina o el lado derecho del refrigerador.

C Sostenga en posición y utilice el soporte de piso anti-volcaduras como una plantilla para marcar los orificios en base a su configuración y tipo de construcción, como puede verse en el Paso 3. Marque las ubicaciones de los orificios con un lápiz, clavo o punzón.

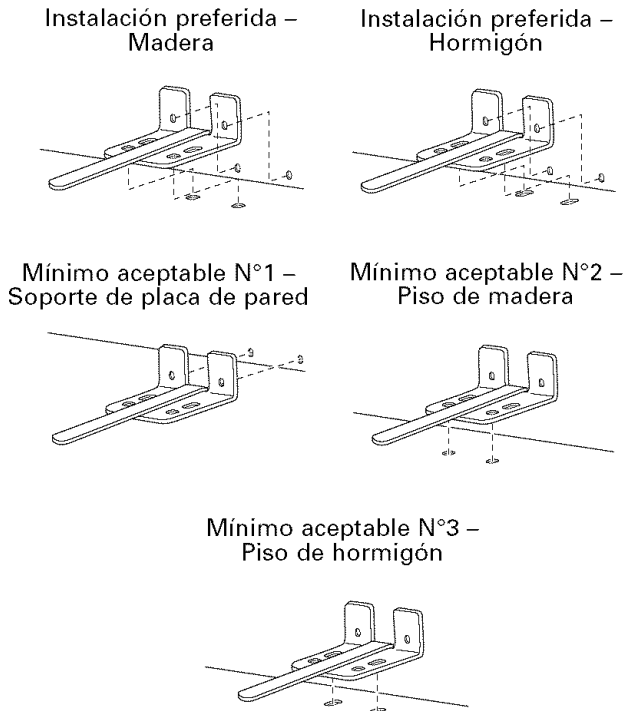
#### NOTA:

- Se REQUIERE utilizar por lo menos 2 tornillos para montar el soporte de piso (uno en cada lado del soporte de piso anti-volcaduras). Los dos deben encontrarse en la pared o en el piso. La figura 2 indica todas las configuraciones de montaje aceptables para tornillos. Identifique los orificios de tornillos en el soporte anti-volcaduras para su configuración.

# Instrucciones para la instalación

## 2 CÓMO UBICAR EL SOPORTE DE PISO ANTI-VOLCADURAS (cont.)

Figura 2 – Ubicaciones de tornillos aceptables



## B Construcción de pared y piso de HORMIGÓN:

- Anclajes requeridos (no incluidos):  
4 por cada perno de fijación de 1/4" x 1 1/2"  
4 por cada anclaje de manguito de 1/2" de diámetro externo
- Perfore los orificios del tamaño recomendado para anclajes en hormigón en el centro de los orificios marcados en el Paso 2.
- Instale los anclajes de manguito dentro de los orificios perforados. Coloque el soporte de piso anti-volcaduras como se señala en el Paso 2. Quite la plantilla de ubicación del piso.
- Instale los pernos de fijación a través del soporte de piso anti-volcaduras y ajuste de manera adecuada.

## C Construcción de pared de MADERA y piso de CERÁMICA:

- Para este caso especial, ubique los 2 orificios de pared identificados en la Fig. 1. Perfore un orificio piloto de 1/8" en ángulo (aprox. como puede verse en la Fig. 3) en el centro de cada orificio.
- Instale el soporte de piso anti-volcaduras utilizando la instalación mínima aceptable #1, como puede verse en la Fig. 2.

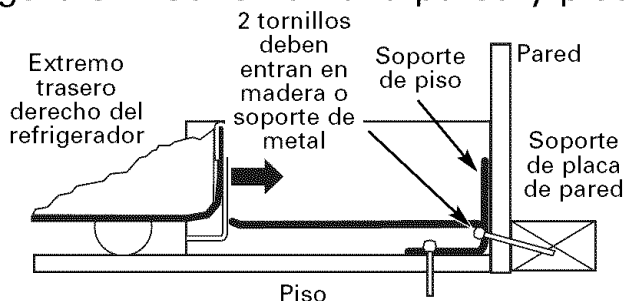
## 4 CÓMO COLOCAR EL REFRIGERADOR PARA ACCIONAR EL PISO ANTI-VOLCADURAS Y LOS SOPORTES DE BASE

- A** Antes de colocar el refrigerador en su lugar, conecte el cable de energía en el tomacorriente y conecte la línea de agua (si corresponde). Controle la presencia de pérdidas.
- B** Ubique el lado derecho del refrigerador y mueva hacia atrás aproximadamente alineado con el lado derecho de la apertura del gabinete, W. Esto debe posicionar el soporte de piso anti-volcaduras para poder conectar el soporte de base anti-volcaduras con el refrigerador.
- C** Con cuidado, deslice el refrigerador dentro de la apertura del gabinete hasta que se detenga por completo. Verifique que el frente del refrigerador esté alineado con la parte frontal del gabinete. Si no es así, balancee suavemente el refrigerador de adelante a atrás hasta que se enganche y usted note que el refrigerador está completamente apoyado contra la pared trasera.
- D** OPCIONAL: Ajuste las configuraciones de altura de la rueda trasera (y delantera) para enganchar por completo los soportes anti-volcaduras traseros, mientras también alinea el frente del refrigerador con la parte frontal del gabinete.

## 3 INSTALACIÓN DE SOPORTE ANTI-VOLCADURAS

- A** Construcción de pared y piso de MADERA:
- Perfore la cantidad apropiada de orificios piloto de 1/8" en el centro de cada orificio de soporte de piso que se está usando (puede usarse un clavo o punzón si no cuenta con una perforadora) Y quite la plantilla de ubicación del piso.
  - Instale el soporte de piso anti-volcaduras ajustando bien los 2, o preferentemente 4, tornillos #10-16 de cabeza hexagonal en su lugar, como puede verse en la Figura 3.

Figura 3 – Conexión a la pared y piso



## NOTA:

Si separa el refrigerador de la pared por cualquier razón, asegúrese de que el soporte de piso anti-volcaduras esté enganchado cuando se vuelva a colocar el refrigerador contra la pared.

# Instrucciones para la instalación

## INSTALACIÓN DEL REFRIGERADOR

### UBICACIÓN DEL REFRIGERADOR

- No instale el refrigerador donde la temperatura baje de 60°F (16°C) ya que no correrá con suficiente frecuencia para mantener las temperaturas apropiadas.
- No instale el refrigerador donde la temperatura suba por encima de 100°F (37°C) ya que no funcionará correctamente.
- Instálelo en un piso fuerte para que lo soporte con carga completa.

### ESPACIO LIBRE

Permita el siguiente espacio para una fácil instalación, apropiada circulación del aire y conexiones de plomería y eléctricas:

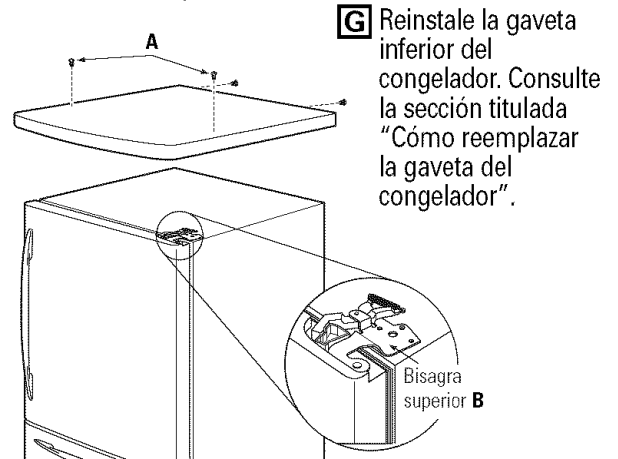
|          | Modelos de profundidad estándar | Modelos de gran capacidad |
|----------|---------------------------------|---------------------------|
| Costados | 1/8" (3 mm)                     | 1/8" (3 mm)               |
| Arriba   | 1" (25 mm)                      | 1" (25 mm)                |
| Atrás    | 1" (25 mm)                      | 1/2" (13 mm)              |

### RETIRO DE LA TAPA SUPERIOR (en algunos modelos)

- **NOTA IMPORTANTE:** Este refrigerador tiene una profundidad de 34½ pulgadas. Las puertas y los pasillos que llevan a la ubicación de la instalación deben tener un ancho de por lo menos 36 pulgadas para dejar las puertas y las manijas conectadas al refrigerador mientras éste se transporta a la ubicación de la instalación. Si los pasillos tiene menos que 36 pulgadas, las puertas y las manijas del refrigerador se pueden rayar y dañar con facilidad. Se pueden retirar la tapa superior y las puertas para permitir el traslado seguro del refrigerador al interior. Empiece con el Paso A.
  - Omite el Paso A si no se necesita retirar las puertas. Deje la cinta y todo el embalaje en las puertas hasta que el refrigerador se encuentre en su destino final.
  - **REMOCIÓN DE LA CORREDERA:** Incline el refrigerador hacia ambos lados para retirar la corredera.
  - **NOTA:** Utilice una carretilla de mano almohadillada para trasladar el refrigerador. Coloque el refrigerador en la carretilla de mano con un costado contra la carretilla. Recomendamos fuertemente que **DOS PERSONAS** trasladen y completen la instalación.
- A** Localice y retire los dos tornillos de cabeza Phillips en la parte superior del refrigerador. Retire los dos tornillos en cada lado en la parte posterior de la tapa superior. Despegue y retire la tapa superior.
- B** Retire la puerta de la comida fresca. Consulte los Pasos 1, 2 y 3 en la sección titulada "Cómo invertir el vaivén de la puerta".
- C** Retire la gaveta inferior del congelador. Consulte la sección titulada "Cómo retirar la gaveta del congelador".
- D** Traslade el refrigerador a la ubicación de la instalación.

### RETIRO DE LA TAPA SUPERIOR (continuación) (en algunos modelos) REINSTALACIÓN DE LAS PUERTAS, GAVETAS Y LA TAPA SUPERIOR

- E** Baje la puerta cuidadosamente a la bisagra central. Reinstale la bisagra superior. **NOTA:** Cerciérese que la puerta se encuentre alineada apropiadamente con la parte superior de la tapa para evitar el reajuste de la puerta durante la reinstalación de la tapa superior.
- F** Coloque la tapa sobre la parte superior del refrigerador. Reinstale los tornillos originales en la parte superior y la trasera de la tapa.



### 1 CÓMO CONECTAR EL REFRIGERADOR A LA LINEA DE AGUA DE LA CASA (los modelos de máquinas de hielo y de dispensadores)

Se requiere un suministro de agua fría para la operación de la máquina de hielos. Si no existe un suministro de agua fría, usted necesitará hacer uno. Ver la sección *Instalación de la tubería de agua*.

#### NOTAS:

- Antes de hacer la conexión, cerciérese de que el cable eléctrico del refrigerador no esté conectado al interruptor de la pared.
- Si el refrigerador no tiene un filtro de agua, recomendamos que instale uno si su suministro de agua tiene arena o partículas que pudieran obstruir la pantalla de la válvula de agua del refrigerador. Instálelo en la línea de agua cerca del refrigerador. Si usted está usando un kit de tubería de refrigeración GE SmartConnect™, usted necesitará una tubería adicional (WX08X10002) para conectar el filtro. No use tuberías plásticas para instalar el filtro.

- A** Si usted está usando tubería de cobre, coloque una tuerca de compresión y una férula (manga) en el extremo de la tubería que viene del suministro de agua fría de la casa.
- Si se encuentra usando tuberías de GE SmartConnect™, las tuercas están ya ensambladas a la tubería.

# Instrucciones para la instalación

## 1 CÓMO CONECTAR EL REFRIGERADOR A LA LÍNEA DE AGUA DE LA CASA (cont.)

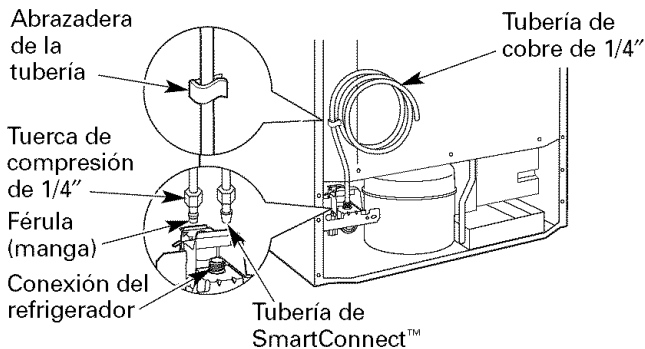
**B** Si usted está usando tubería de cobre, inserte el extremo de la tubería en la conexión del refrigerador, en la parte posterior del refrigerador, hasta donde sea posible. Mientras sostiene la tubería, apriete el accesorio.

Si se encuentra usando tuberías de GE SmartConnect™, inserte el extremo moldeado de la tubería en la conexión del refrigerador en la parte posterior del refrigerador, y apriete la tuerca de compresión hasta que esté apretada a mano. Entonces apriete una vuelta adicional con una llave. Si la aprieta demasiado causará fugas.

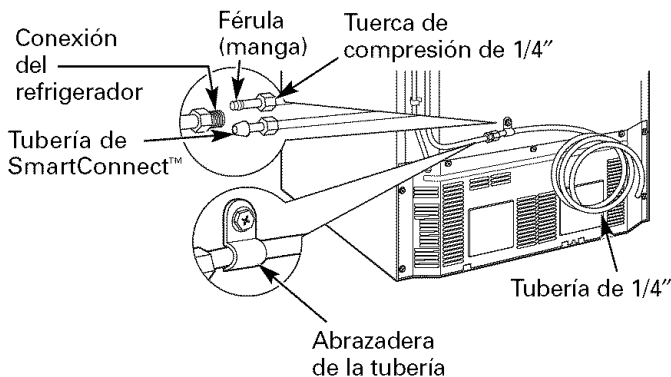
**C** Apriete la tubería en la abrazadera proporcionada para sostenerla en su posición. Es posible que usted necesite levantar la abrazadera haciendo palanca.

Una de las ilustraciones siguientes será el aspecto de la conexión que tendrá su refrigerador.

Modelos de máquinas de hielo dispuestas para funcionar

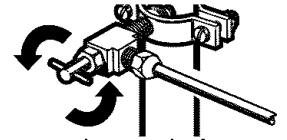


Modelos de máquinas de hielo que necesitan instalación



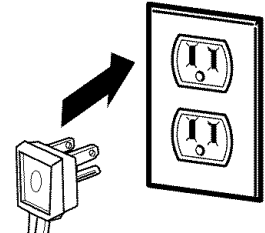
## 2 ACTIVE LA CONEXIÓN DE AGUA (modelos con la máquina de hielos o el dispensador)

Haga pasar la corriente de agua en la válvula de cierre (el suministro de agua de la casa) e inspeccione en busca de fugas.



## 3 CONECTE EL REFRIGERADOR

En modelos con la máquina de hielos: antes de conectar el refrigerador, cerciórese de que el interruptor de la máquina de hielos está colocada en la posición **O** (apagado).



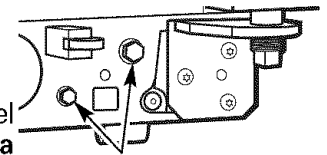
Ver la información adjunta sobre la conexión a tierra del cable eléctrico.

## 4 COLOQUE EL REFRIGERADOR EN SU LUGAR

Traslade el refrigerador a su ubicación final. Verifique que la parte trasera del refrigerador enganche el soporte anti-volcaduras de manera correcta. El soporte de piso anti-volcaduras debe estar alineado con la abertura de la parte trasera inferior del refrigerador, y entrar a través de la abertura cuando se coloca el refrigerador en su lugar. (Para más información, ver página 110, Paso 2A).

## 5 CÓMO NIVELAR EL REFRIGERADOR

Gire los tornillos de ajuste del frente **en sentido de las agujas del reloj** para levantar el refrigerador, y **en contra de las agujas del reloj** para bajarlo. Use una llave hexagonal de 3/8" con extensión o una llave ajustable.



**Para ajustar los tornillos giratorios de los modelos de gran capacidad de 21':**

Estos modelos también tienen rodillos ajustables posteriores para que usted pueda alinear el refrigerador con los gabinetes de la cocina. Use una llave hexagonal de 3/8" con extensión para girar los tornillos posteriores—**en sentido de las agujas del reloj** para levantar el refrigerador, y **en contra de las agujas del reloj** para bajarlo.

# Instrucciones para la instalación

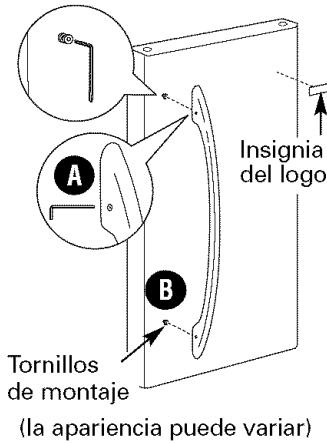
## INSTALACIÓN DEL REFRIGERADOR (cont.)

### 6 RETIRE LA MANIJA DE LA PUERTA DE ALIMENTOS FRESCOS

(Para la colocación en el lugar de instalación o la inversión de las manijas – en algunos modelos)

**Manija de acero inoxidable (en algunos modelos):**

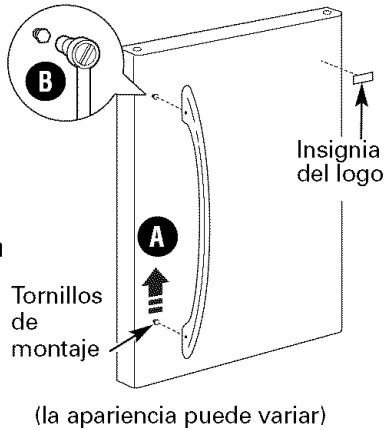
- A** **CÓMO REMOVER LA MANIJA DE LA PUERTA:** Afloje los tornillos de fijación con una llave Allen de 3/32" y retire la manija. **NOTA:** Para modelos de doble puerta siga el mismo procedimiento en la puerta opuesta.



**Manija plástica (en algunos modelos):**

- A** **CÓMO QUITAR LA MANIJA DE LA PUERTA:** Baje la lengüeta ubicada en la parte inferior de la manija y deslícela hacia arriba, sacándola de las fijaciones.

- B** **PARA INVERTIR LA MANIJA DE LA PUERTA (en algunos modelos):**



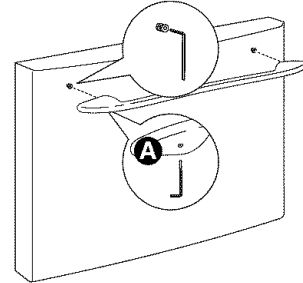
- Retire los tornillos de montaje de la manija con una llave Allen de 1/4" y traslade los tornillos de montaje de la manija al lado derecho.
- Quite la insignia del logo.
- Remover y transferir el tapón al lado izquierdo de la puerta de alimentos frescos. **NOTA:** Use un elemento plástico y plano a fin de no dañar la puerta. Quite los restos de adhesivo de la puerta con un detergente suave. Retire la cobertura de papel de la parte trasera de la insignia del logo antes de colocar la chapa sobre la puerta.

### 7 RETIRE LA MANIJA DE LA PUERTA DEL CONGELADOR

**Manijas de acero inoxidable y plástico:**

- A** Afloje los tornillos de fijación ubicados en la parte inferior de la manija con una llave Allen de 1/8" ó 3/32" y retire la manija.

**NOTA:** Para ajustar o retirar los tornillos de montaje de la manija utilice una llave Allen de 1/4".

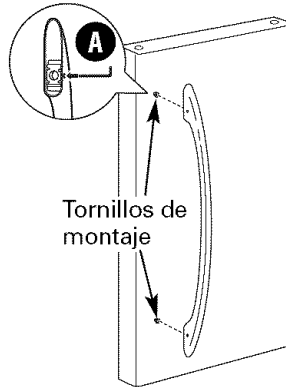


# Instrucciones para la instalación

## 8 SUJETE LA MANIJA DE LA PUERTA DE ALIMENTOS FRESCOS

### Manija de acero inoxidable:

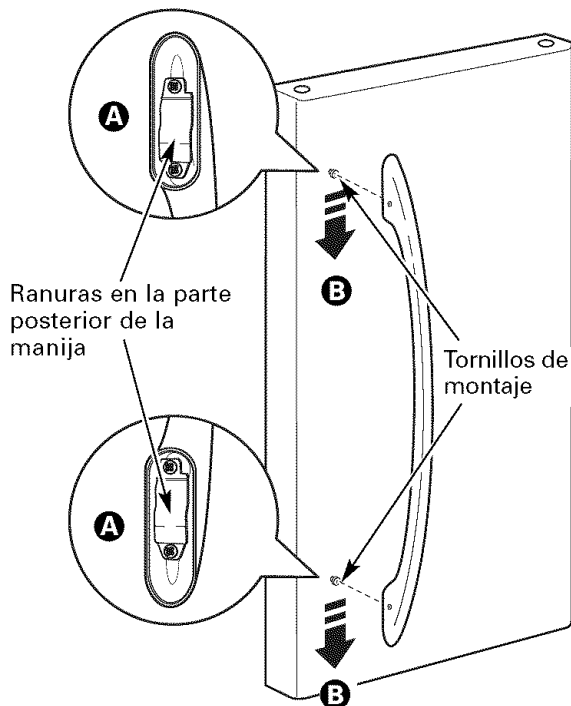
- A Sujete la manija a los tornillos de montaje y ajuste los tornillos de fijación con una llave Allen de 3/32". **NOTA:** Para modelos de doble puerta siga el mismo procedimiento en la puerta opuesta.



(la apariencia puede variar)

### Manija plástica:

- A Para sujetar la manija a los tornillos de montaje alinee las ranuras con los tornillos de montaje.
- B Deslícela hasta que encaje firmemente en su lugar.

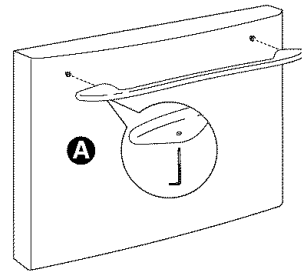


(la apariencia puede variar)

## 9 SUJETE LA MANIJA DE LA PUERTA DEL CONGELADOR

### Manijas de acero inoxidable y plástico:

- A Sujete la manija firmemente a los tornillos de montaje y ajuste los tornillos de fijación en la parte inferior de la manija con una llave Allen de 1/8" ó 3/32".



(la apariencia puede variar)

# Instrucciones para la instalación

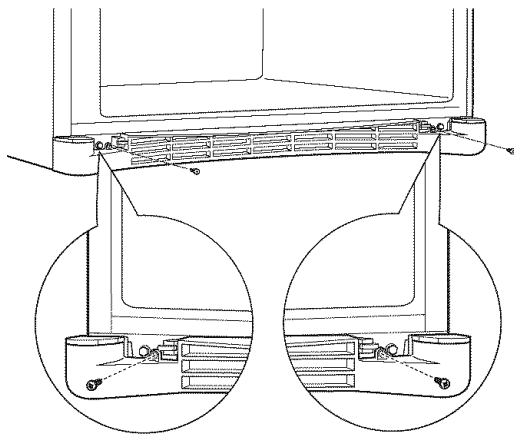
## INSTALACIÓN DEL REFRIGERADOR (cont.)

### 10 CÓMO NIVELAR EL REFRIGERADOR

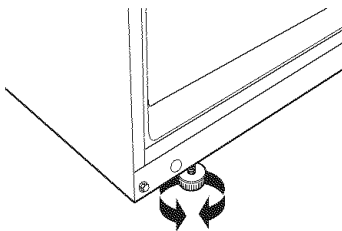
Las patas niveladoras tienen dos propósitos:

- 1) Las patas niveladoras se ajustan para que el refrigerador esté colocado firmemente en el piso y no tambalee.
- 2) Las patas niveladoras sirven como un freno estabilizador para sostener el refrigerador firmemente en posición durante la operación y limpieza. Las patas niveladoras también evitan que el refrigerador se incline.

- A** Saque la parrilla quitando los dos tornillos Phillips.



- B** Gire las patas niveladoras **en sentido de las agujas del reloj** para levantar el refrigerador, y **en contra de las agujas del reloj** para bajarlo.

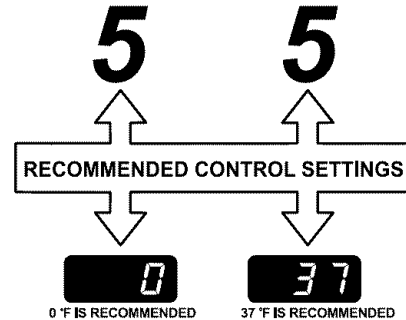


**⚠ PRECAUCIÓN:** Para evitar posibles lesiones personales o daños a la propiedad, las patas niveladoras deben tocar firmemente el piso.

- C** Vuelva a colocar la parrilla introduciendo los dos tornillos Phillips.

### 11 AJUSTE LOS CONTROLES

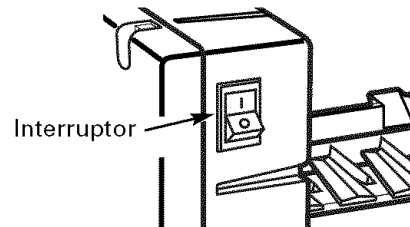
Ajuste los controles donde se recomienda.



### 12 RETIRE EL EMBALAJE INICIE LA MÁQUINA DE HIELO (modelos con máquina de hielos)

- A) Retire toda la cinta y el embalaje protector y de espuma de las repisas y las gavetas.
- B) Retire los amarres de las canastas del congelador.
- C) Coloque la canasta de mitad de ancho en las correderas de la gaveta. Consulte la sección titulada Acerca del congelador para las instrucciones.

Fije el interruptor de la máquina de hielos en la posición de **I (encendido)**. La máquina de hielos no empezará a operar hasta que alcance su temperatura de operación de 15° F (-9° C) o menor. Luego, empezará a operar automáticamente. Será necesario de 2 a 3 días para que se llene el recipiente para hielo.



#### NOTA:

En condiciones de menor presión del agua, la válvula de agua puede encenderse hasta 3 veces para suministrar suficiente agua a la máquina de hielos.



# Instrucciones para la instalación

## CÓMO RETIRAR LA GAVETA DEL CONGELADOR

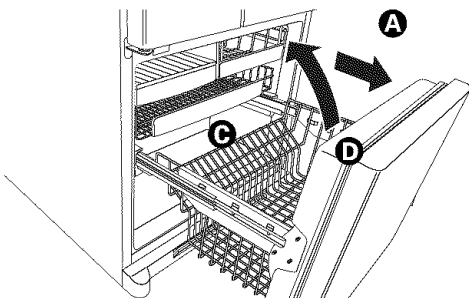
(en algunos modelos)

Si es necesario, es posible retirar la gaveta del congelador para que el refrigerador quepa en áreas estrechas.

Lea estas instrucciones completa y cuidadosamente.

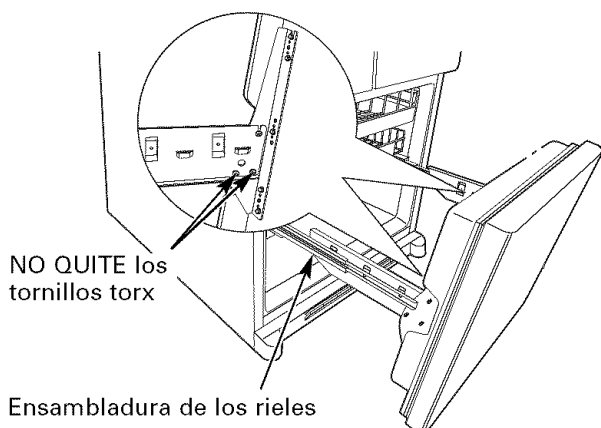
### 1 RETIRE LA CANASTA

- A** Abra la gaveta del congelador hasta que pare.
- B** Corte las dos ataduras de alambre de la canasta con una pinza corta alambres.
- C** La canasta del congelador se apoya dentro de 4 lengüetas en los deslizadores del congelador. Levante la canasta y sáquela de las 4 lengüetas.
- D** Inclíne el frente y suba la canasta completa hacia arriba y afuera de la gaveta.



### 2 RETIRE EL FRENTE DE LA GAVETA DESDE LAS CORREDERAS

- A** Saque los 10 tornillos hexagonales de la puerta y quítela.
- NO QUITE** los tornillos torx de los rieles.



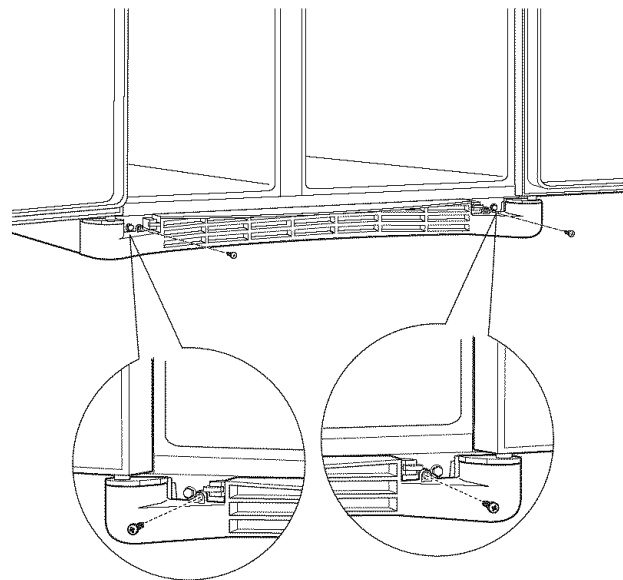
### 2 RETIRE EL FRENTE DE LA GAVETA DESDE LAS CORREDERAS (cont.)

- B** Coloque el frente de la gaveta en una superficie donde no se raye.
- C** Empuje los rieles dentro del gabinete.

### 3 RETIRE LA REJILLA DE LA BASE (si es necesario)

Si después de retirar la gaveta del congelador y la puerta del refrigerador, el refrigerador todavía no cabe a través de una puerta, se pueden retirar la rejilla de la base.

- A** Saque la parrilla base quitando los dos tornillos Phillips.



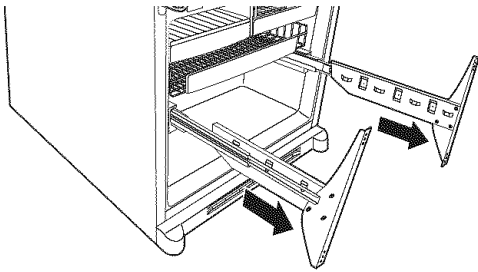
# Instrucciones para la instalación

## CÓMO REEMPLAZAR LA GAVETA DEL CONGELADOR (en algunos modelos)

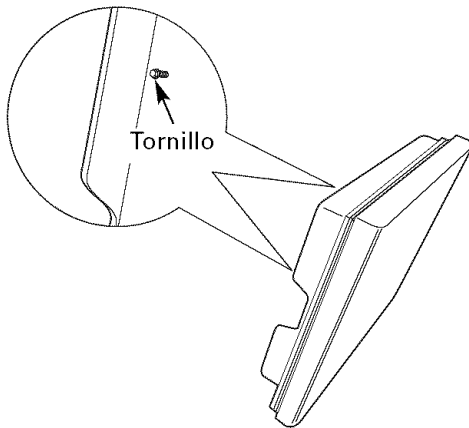
**I** Es posible que sean necesarias dos personas para completar este procedimiento.

### 1 UNA Y ASEGURE EL FRENTE DE LA GAVETA A LAS CORREDERAS

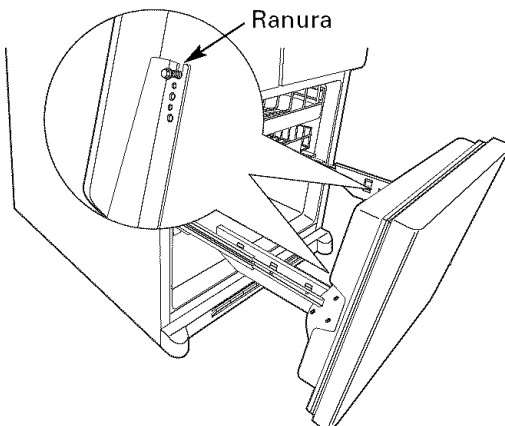
**A** Hale las ensambladuras de las correderas hasta la máxima longitud en cada lado del gabinete.



**B** Introduzca el tornillo superior dentro de la puerta en cada lado hasta que haya entrado la mitad.

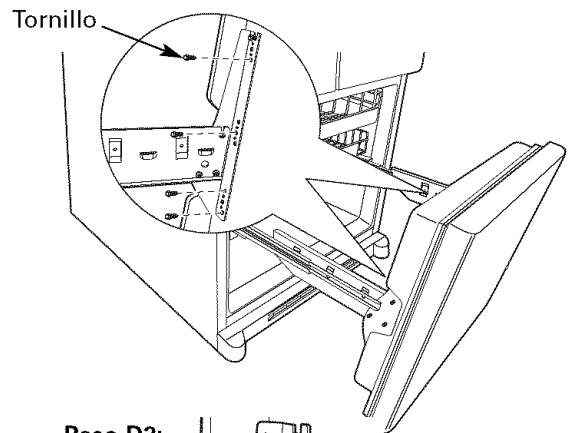


**C** Cuelgue el frente de la gaveta en las ranuras abiertas de los deslizadores.



### 1 UNA Y ASEGURE EL FRENTE DE LA GAVETA A LAS CORREDERAS (cont.)

**D** Ajuste los tornillos por completo. (Hay 10 tornillos).



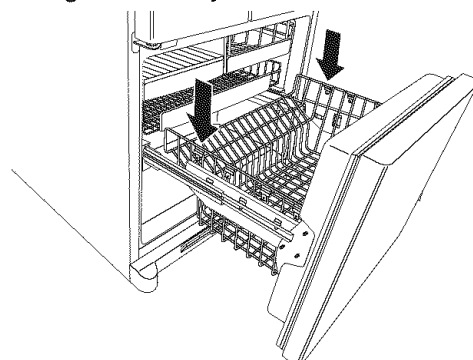
**Paso D2:**  
Ajuste por completo.

**Paso D3:**  
Ajuste los tornillos en estos orificios.

**Paso D1:**  
Alinee el orificio del tornillo en la gaveta del congelador y ajuste por completo.

### 2 REEMPLACE LA CANASTA DEL CONGELADOR

Reemplace la canasta más baja del congelador bajándola hasta el marco.



# Instrucciones para la instalación

## CÓMO INVERTIR EL VAIVÉN DE LA PUERTA (Modelos de refrigerador de una sola puerta únicamente)

### NOTAS IMPORTANTES

Al invertir el vaivén de la puerta:

**NOTA:** El vaivén de la puerta no es reversible en modelos de acero inoxidable.

- Lea las instrucciones completas antes de empezar.
- Las piezas están incluidas en el conjunto de bisagras de la puerta.
- Manipule las partes con cuidado para evitar rayar la pintura.
- Coloque los tornillos según las partes a las que corresponden para evitar usarlos en el lugar incorrecto.
- Disponga de una superficie de trabajo que no raye para colocar las puertas.

**IMPORTANTE:** Una vez empiece, no mueva el gabinete hasta que la inversión del vaivén de la puerta no esté completa.

Estas instrucciones son para cambiar las bisagras del lado derecho al lado izquierdo—si alguna vez desea cambiar nuevamente las bisagras al lado derecho, siga estas mismas instrucciones e invierta todas las referencias de izquierda y derecha.

- Una vez que se ha finalizado la inversión del vaivén de la puerta, retire la cobertura adhesiva de la parte trasera de la chapa del logo y asegúrese de que ésta se encuentre correctamente alineada y fijada a la puerta. **NOTA:** A replacement logo badge is included in the hinge kit.

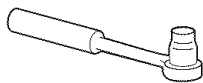
**Desconecte el refrigerador de la toma eléctrica.**

**Desocupe todos los estantes de la puerta, incluyendo el compartimiento de productos lácteos.**

### HERRAMIENTAS NECESARIAS



Llave ajustable



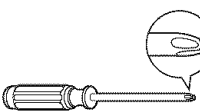
Destornillador de casquillo de 5/16"



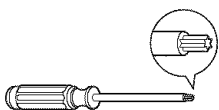
Cinta de enmascarar



Destornillador de pala plana



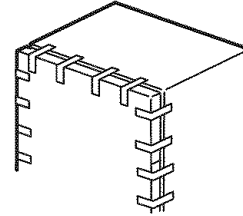
Destornillador Phillips



Llave torx T-20

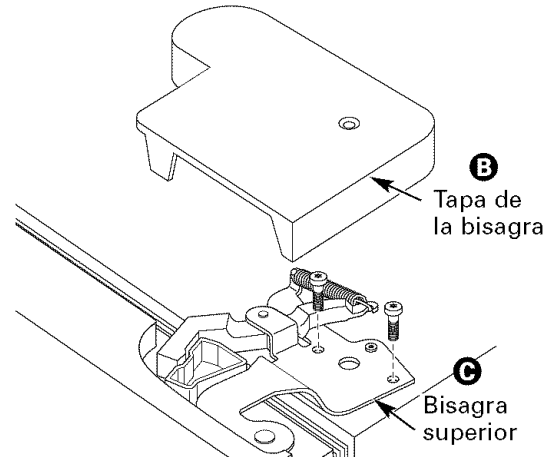
### 1 RETIRE LA PUERTA DEL REFRIGERADOR

- A** Pegue la puerta por completo con cinta.

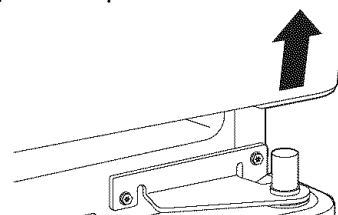


- B** Saque la tapa de la bisagra de la parte superior del refrigerador quitando los tornillos Phillips y tirando hacia arriba.

- C** Con un destornillador de casquillo de 5/16", retire los pernos que aseguran la bisagra superior al gabinete. Luego, levante la bisagra directamente hacia arriba para liberar el pasador de la bisagra de la boquilla en la parte superior de la puerta.



- D** Retire la cinta e incline la puerta en dirección contraria al gabinete. Levante la puerta del pasador de la bisagra central. Cerciérese de que el dedal plástico del pasador de la bisagra permanezca en el pasador de la bisagra o al interior del orificio del pasador de la bisagra de la puerta que se encuentra en la parte de abajo de la puerta.



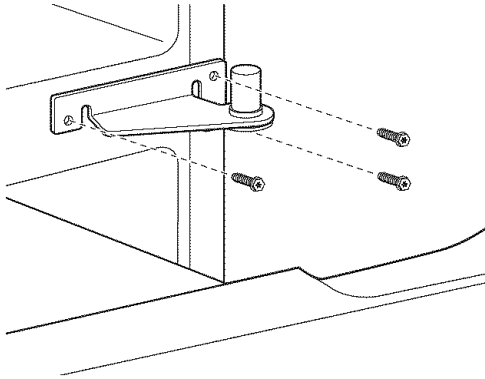
- E** Coloque la puerta en una superficie que no raye con la parte interior hacia arriba.

# Instrucciones para la instalación

## CÓMO INVERTIR EL VAIVÉN DE LA PUERTA (cont.)

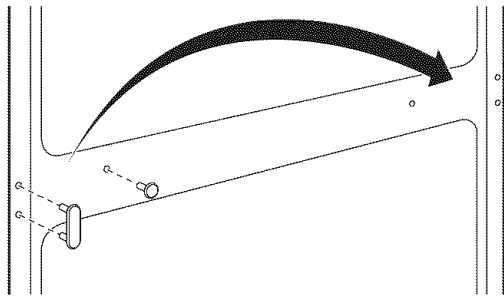
### 2 RETIRE LA BISAGRA CENTRAL

Mediante una llave de cubo de 5/16", quite los pernos que sujetan la bisagra central al gabinete. Coloque la bisagra y los pernos a un lado.

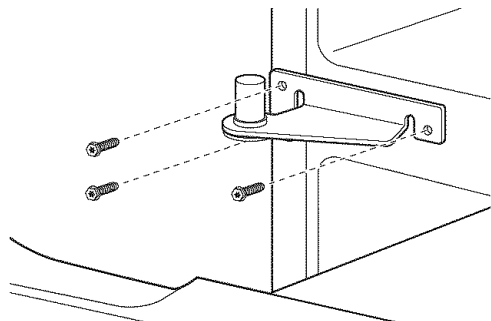


### 3 INSTALE LA BISAGRA CENTRAL

**A** Pase al lado derecho el botón obturador y tapa de orificio de tornillo de los orificios de la bisagra del lado izquierdo.



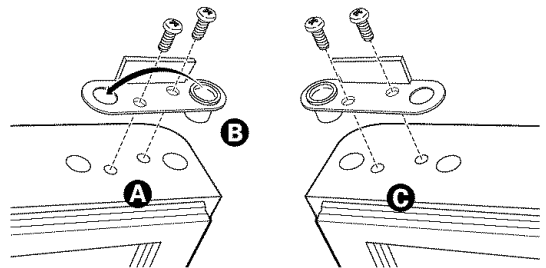
**B** Instale la bisagra central del kit en el lado izquierdo.



**NOTA:** Se necesitará una nueva bisagra para el lado izquierdo (incluida en el kit de bisagras para puerta).

### 4 TRASLADÉ EL FRENO DE LA PUERTA DEL REFRIGERADOR

- A** Retire el freno de la puerta en el lado derecho de la parte inferior de la puerta del refrigerador retirando los dos tornillos.
- B** Mueva el dedal plástico del orificio de la bisagra hacia el orificio opuesto.
- C** Instale el freno de la puerta en el lado izquierdo, cerciorándose de alinear los orificios de los tornillos en el freno de la puerta con los orificios en la parte inferior de la puerta.



Parte inferior de la puerta del refrigerador (lado derecho)

Parte inferior de la puerta del refrigerador (lado izquierdo)

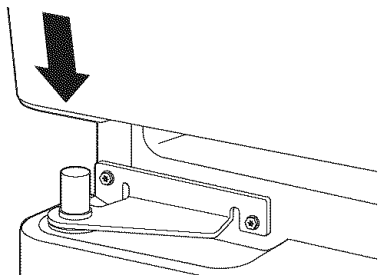
### 5 TRASLADÉ LA MANIJA DE LA PUERTA DEL REFRIGERADOR HACIA LA DERECHA

Para obtener las instrucciones correspondientes, consulte las secciones "Cómo retirar la manija de la puerta de alimentos frescos" y "Cómo sujetar la manija de la puerta de alimentos frescos."

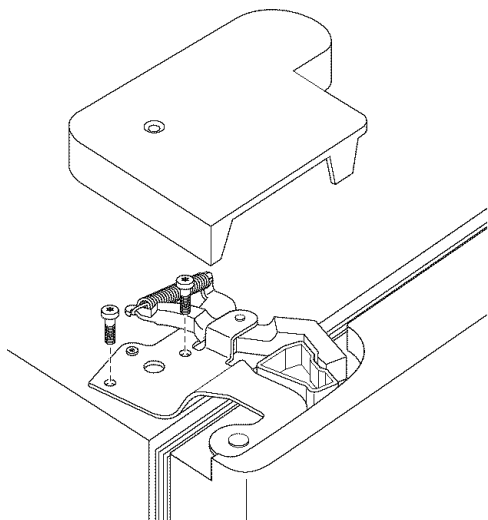
# Instrucciones para la instalación

## 6 VUELVA A COLGAR LA PUERTA DEL REFRIGERADOR

- A** Baje la puerta del refrigerador en el pasador de la bisagra central. Cerciórese de que el dedal plástico del pasador de la bisagra esté en el pasador de la bisagra central o al interior del orificio del pasador de la bisagra de la puerta que se encuentra en la parte de abajo de la puerta.

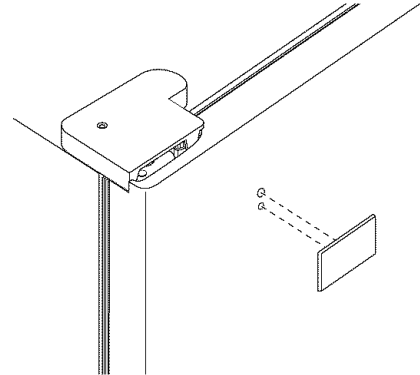


- B** Inserte el pasador de la bisagra superior en el orificio de la bisagra encima de la puerta del refrigerador. Cerciórese de que la puerta esté alineada con el gabinete. Una la bisagra a la parte superior del gabinete libremente con los pernos.
- C** Cerciórese de que el sello magnético en la puerta esté nivelado contra el gabinete y no esté doblado. Apoye la puerta en el lado de la manija y cerciórese de que esté recta y el espacio entre las puertas sea uniforme al frente. Mientras sostiene la puerta en su lugar, apriete los pernos de la bisagra superior. Reemplace la tapa de la bisagra.



## 7 INSTALE LA INSIGNIA DEL LOGO

Quite el papel que cubre el adhesivo y alinee los pernos de la parte trasera de la insignia con los orificios de la puerta. Aplique presión a la insignia para garantizar que se haya pegado a la puerta.



# Instrucciones para la instalación

## CÓMO RETIRAR LAS PUERTAS

(Modelos de refrigerador de doble puerta únicamente)

### NOTAS IMPORTANTES

**NOTA:** El vaivén de la puerta no es reversible.

- Lea las instrucciones completas antes de empezar.
- Manipule las partes con cuidado para evitar rayar la pintura.
- Coloque los tornillos según las partes a las que corresponden para evitar usarlos en el lugar incorrecto.
- Disponga de una superficie de trabajo que no raye para colocar las puertas.

**IMPORTANTE:** Una vez empiece, no mueva el gabinete.

Estas instrucciones son para retirar las puertas.

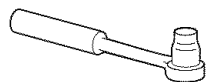
**Desconecte el refrigerador de la toma eléctrica.**

**Desocupe todos los estantes de la puerta, incluyendo el compartimiento de productos lácteos.**

### HERRAMIENTAS NECESARIAS



Llave ajustable



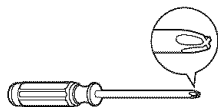
Destornillador de casquillo de 3/8" y de 10 mm



Cinta de enmascarar



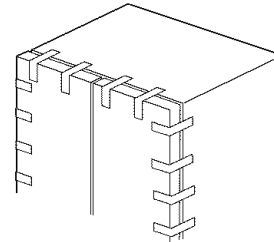
Destornillador de pala plana



Destornillador Phillips

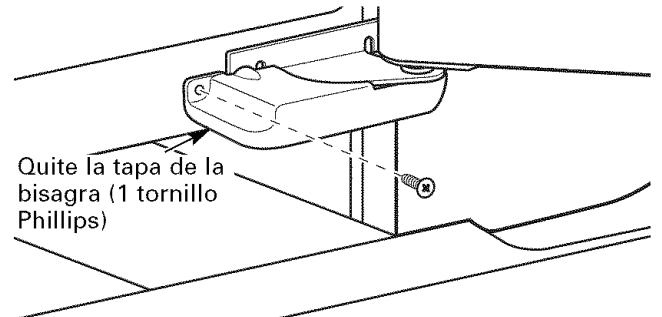
### 1 RETIRE LAS PUERTAS DEL REFRIGERADOR

**A** Pegue las puertas por completo con cinta.



(para modelos con dispensador de agua)

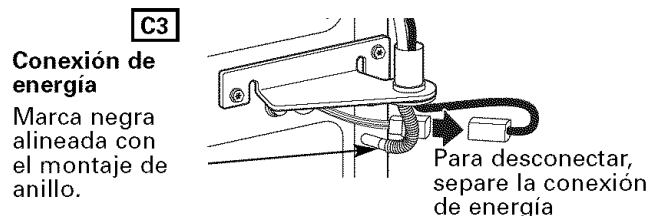
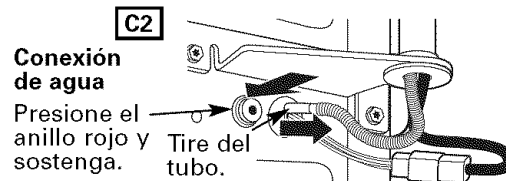
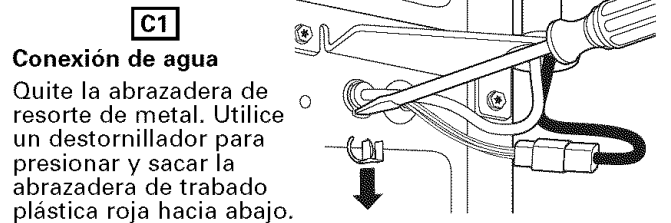
**B** Comience primero con la puerta de la derecha: Quite el tornillo que ajusta la tapa de la bisagra central, levante la tapa de la bisagra y coloque a un costado sobre el refrigerador.



Quite la tapa de la bisagra (1 tornillo Phillips)

(para modelos con dispensador de agua)

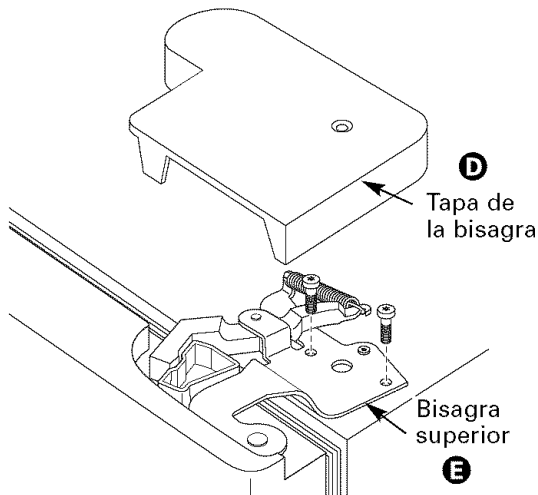
**C** Quite las conexiones de agua y de energía.



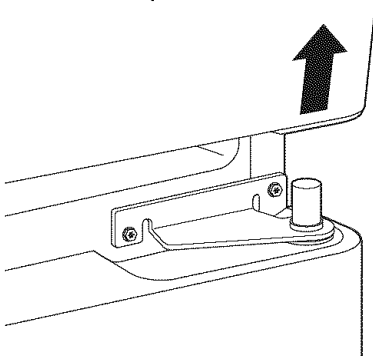
# Instrucciones para la instalación

## 1 RETIRE LA PUERTA DEL REFRIGERADOR (cont.)

- D** Saque la tapa de la bisagra en la parte superior del refrigerador quitando los tornillos Phillips y tirando hacia arriba.
- E** Mediante una llave de cubo de 5/16", quite los pernos que sujetan la bisagra superior al gabinete. Luego levante la bisagra hacia arriba para liberar el perno de la bisagra del receptáculo de la parte superior de la puerta.



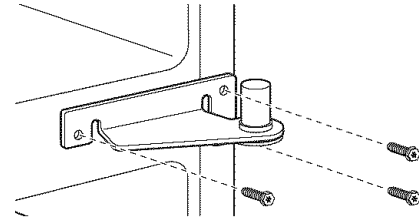
- F** Quite la cinta e incline la puerta en sentido contrario al gabinete. Levante la puerta sacándola del perno de la bisagra central. Verifique que el capuchón plástico del perno de la bisagra no se salga del perno de la bisagra o del orificio del perno de la bisagra de la puerta ubicado en la parte inferior de la puerta.



- G** Coloque la puerta sobre una superficie que no raye, con la parte interna hacia arriba.

## 2 CÓMO QUITAR LA BISAGRA CENTRAL

Mediante una llave de cubo de 5/16", quite los pernos que sujetan la bisagra central al gabinete. Coloque la bisagra y los pernos a un lado.



## 3 RETIRE LA PUERTA OPUESTA

Siga el mismo procedimiento en la puerta opuesta. No hay alambres, líneas de agua o tapas de bisagras centrales en el lado opuesto.

## 4 RETIRE LA GAVETA DEL CONGELADOR

Para obtener las instrucciones correspondientes, ver la sección de Cómo retirar la gaveta del congelador.

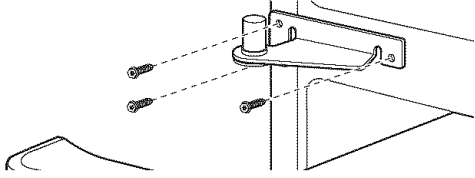
# Instrucciones para la instalación

## CÓMO VOLVER A COLOCAR LAS PUERTAS

(Modelos de refrigerador de doble puerta únicamente)

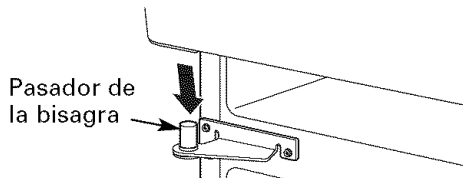
### 1 INSTALE LA BISAGRA CENTRAL

Instale la bisagra central en cada lado.

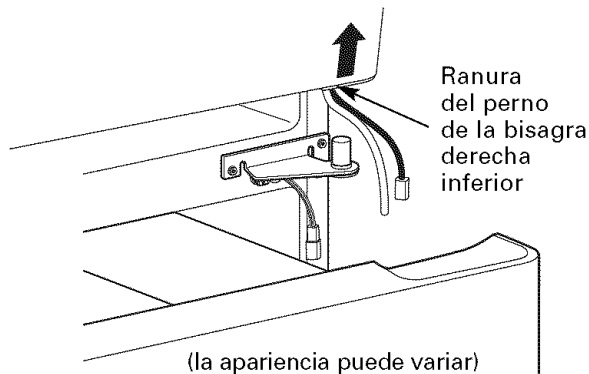


### 2 VUELVA A COLGAR LAS PUERTAS DEL REFRIGERADOR

- A** Baje la puerta del refrigerador en el pasador de la bisagra central. Cerciórese de que el dedal plástico del pasador de la bisagra permanezca en el pasador de la bisagra central o al interior del orificio del pasador de la bisagra de la puerta que se encuentra en la parte de abajo de la puerta.

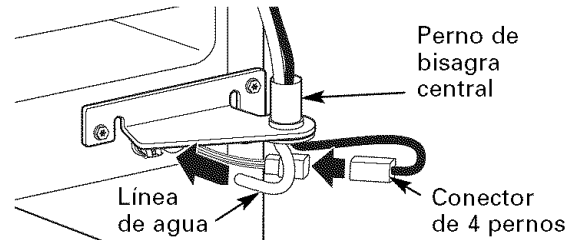


- B** Pegue firmemente la puerta con cinta o pida a otra persona que sostenga la puerta.
- C** Dirija los cables a través de la ranura del perno de la bisagra derecha inferior. Inserte el pasador de la bisagra superior en el orificio de la bisagra encima de la puerta del refrigerador. Cerciórese de que la puerta esté alineada con el gabinete y la puerta opuesta. Una la bisagra a la parte superior del gabinete libremente con los pernos.

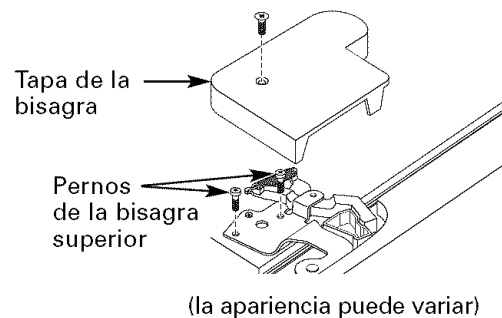


### 2 VUELVA A COLGAR LAS PUERTAS DEL REFRIGERADOR (CONT.)

- D** En las puertas de la derecha, pase los cables y línea de agua a través del perno de la bisagra central. Luego conecte la línea de agua y el empalme de 4 pernos.



- E** Cerciórese de que el sello magnético en la puerta esté nivelado contra el gabinete y no esté doblado. Cerciórese de que esté recta y el espacio entre las puertas sea uniforme al frente. Mientras sostiene la puerta alineada en su lugar, apriete los pernos de la bisagra superior. Reemplace la tapa de la bisagra y el tornillo.



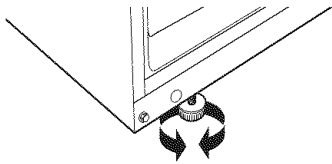
### 3 REEMPLACE LA PUERTA OPUESTA

Siga el mismo procedimiento en la puerta opuesta. No hay línea de agua o tapa de bisagra.

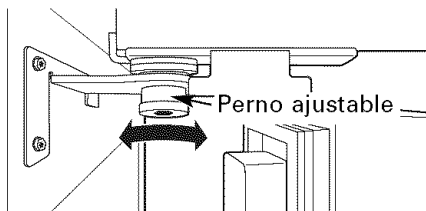


## 4 CÓMO ALINEAR LAS PUERTAS DOBLES

Si la parte superior de las puertas está desigual, primero intente levantar la puerta más baja girando la pata niveladora en el mismo costado de la puerta hasta que las puertas estén niveladas. Si la unidad permanece inestable, vuelva a ajustar las patas niveladoras hasta que la unidad esté estable.



Si las puertas continúan desparejas, gire el perno ajustable para elevar, o bajar, la puerta izquierda para que esté al mismo nivel de la derecha. Utilice una llave Allen de 1/4" para girar el perno.



## 5 REEMPLACE LA GAVETA DEL CONGELADOR

Para obtener las instrucciones correspondientes, ver la sección de Cómo reemplazar la gaveta del congelador.

# Instrucciones para la instalación

## INSTALACIÓN DE LA TUBERÍA DEL AGUA (MODELOS CON MÁQUINA DE HIELOS)

### ANTES DE INICIAR

Los kits de cobre recomendados para el suministro de agua son WX8X2, WX8X3 o WX8X4, dependiendo de la cantidad de tubería necesaria. Las tuberías plásticas aprobadas para el suministro de agua son las tuberías para el refrigerador SmartConnect™ de GE (WX08X10006, WX08X10015 y WX08X10025).

Al conectar su refrigerador a un Sistema de Agua de Ósmosis Inversa de GE, la única instalación aprobada es con un RVKIT de GE. Para otros sistemas de agua de ósmosis inversa, siga las instrucciones del fabricante.

Si el suministro de agua hacia el refrigerador es desde un Sistema de Filtro de Agua de Ósmosis Inversa Y el refrigerador también tiene un filtro de agua, use el tapón de derivación del filtro del refrigerador. Usar el cartucho de filtro del agua del refrigerador en conjunto con el filtro de Ósmosis Inversa puede resultar en cubos de hielo huecos.

Esta instalación de la tubería del agua no está garantizada por el fabricante del refrigerador o de la máquina de hielos. Siga estas instrucciones cuidadosamente para minimizar el riesgo de un daño costoso por el agua.

El martilleo del agua (agua golpeando contra la tubería) en la tubería de la casa puede causar daños a las partes del refrigerador y conducir a un goteo o inundación por agua. Llame a un plomero calificado para corregir el martilleo del agua antes de instalar la tubería del agua al refrigerador.

Para evitar quemaduras y daños con el producto, no conecte la tubería del agua a la tubería del agua caliente.

Si usa el refrigerador antes de conectar la tubería, asegúrese de que el interruptor de corriente de la máquina de hielos esté en la posición **O (apagado)**. No instale la tubería de la máquina de hielos en lugares donde la temperatura caiga por debajo del nivel de congelamiento.

Al usar cualquier aparato eléctrico (como un taladro eléctrico) durante la instalación, asegúrese de que el aparato esté aislado o conectado de manera que evite el peligro de una descarga eléctrica, o se opere por baterías.

Todas las instalaciones se deben realizar según los requisitos del código local de plomería.

### QUÉ NECESITA



- **Kit de tubería de cobre para el refrigerador o SmartConnect™ de GE**, 1/4" de diámetro externo para conectar el refrigerador al suministro de agua. Si usa cobre, asegúrese de que ambos extremos de la tubería se corten uniformemente.

Para determinar la cantidad de tubería que necesita: mida la distancia desde la válvula del agua en la parte posterior del refrigerador hasta el tubo de suministro de agua. Asegúrese de que haya suficiente tubería adicional para permitir que el refrigerador se pueda mover de la pared después de la instalación.

Los kits de tubería para el refrigerador SmartConnect™ de GE están disponibles en las siguientes longitudes:

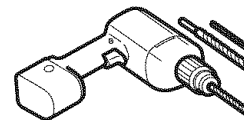
6' (1,8 m) – WX08X10006

15' (4,6 m) – WX08X10015

25' (7,6 m) – WX08X10025

**NOTA: La única tubería de plástico aprobada de GE es la que viene provista con los kits de tubería para el refrigerador SmartConnect™ de GE. No use ninguna otra tubería plástica para el suministro del agua ya que la tubería está bajo presión todo el tiempo. Ciertos tipos de plástico se fracturarán o se romperán con el tiempo y causarán daños en su casa debido al agua.**

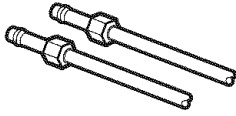
- **Un kit de suministro de agua de GE** (contiene tubería, válvula de apagado y accesorios enumerados abajo) está disponible a un costo adicional en su tienda o por medio de Partes y Accesorios, 800.626.2002.
- **Un suministro de agua fría.** La presión del agua debe estar entre 20 y 120 p.s.i. (1,4–8,1 bar).



- **Taladro eléctrico.**
- **Llave de 1/2" o ajustable.**
- **Destornillador plano y de estrella.**

# Instrucciones para la instalación

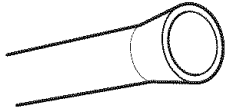
## QUÉ NECESITA (CONT.)



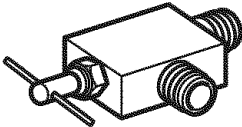
- **Dos tuercas de compresión de 1/4" de diámetro exterior y 2 férulas (mangas)**—para conectar la tubería de cobre a la válvula de apagado y la válvula del agua del refrigerador.

**O bien**

- Si está usando un kit de tubería para el refrigerador SmartConnect™ de GE, los accesorios necesarios ya vienen preinstalados en la tubería.



- Si su tubería existente de cobre para el agua tiene un accesorio con vuelo en el extremo, necesitará un **adaptador** (disponible en las tiendas de suministros de plomería) para conectar la línea del agua al refrigerador **O BIEN**, podrá cortar el accesorio con vuelo con un **cortador de tubos** y luego usar un accesorio de compresión. No corte el extremo formado de la tubería para el refrigerador SmartConnect™ de GE.



- **Válvula de cierre** para conectar a la línea del agua fría. La válvula de apagado deberá tener una entrada de agua con un diámetro interno mínimo de 5/32" en el punto de conexión a la **TUBERÍA DEL AGUA FRÍA**. Las válvulas de apagado tipo silla vienen incluidas en muchos kits de suministro de agua. Antes de comprar, asegúrese de que una válvula tipo silla cumple con los códigos de plomería en su localidad.

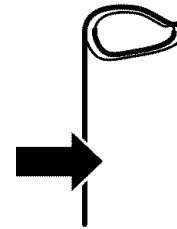
Instale la válvula de apagado en la tubería del agua de consumo más frecuentemente utilizada.

## 1 CIERRE EL SUMINISTRO PRINCIPAL DE AGUA

Abra el grifo más cercano por suficiente tiempo para limpiar la tubería del agua.

## 2 SELECCIONE LA UBICACIÓN DE LA VÁLVULA

Seleccione una ubicación para la válvula que sea fácilmente accesible. Es mejor conectarla en el costado de una tubería vertical de agua. Cuando sea necesario conectarla en una tubería horizontal de agua, haga la conexión en la parte superior o al lado, en vez de hacerlo en la parte de abajo, para evitar retirar cualquier sedimento de la tubería del agua.

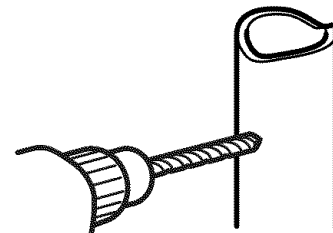


## 3 PERFORE EL ORIFICIO PARA LA VÁLVULA

Perfore un orificio de 1/4" en la tubería del agua (incluso si está usando una válvula auto perforadora), usando una broca afilada. Retire cualquier sobrante que resulte de perforar el orificio en la tubería.

**Tenga cuidado de no permitir que se filtre agua hacia el taladro.**

No perforar un orificio de 1/4" puede resultar en menor producción de hielo o cubos más pequeños.

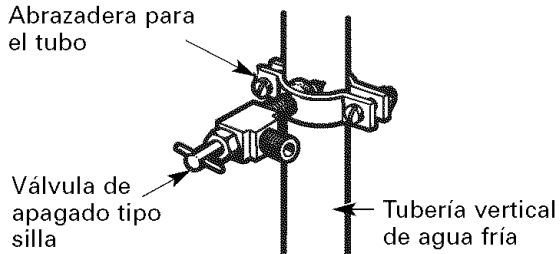


# Instrucciones para la instalación

## INSTALACIÓN DE LA TUBERÍA DEL AGUA (CONT.)

### 4 INSTALE LA VÁLVULA DE APAGADO

Una la válvula de apagado a la tubería de agua fría con la abrazadera para el tubo.

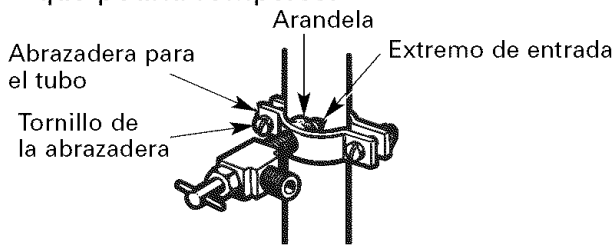


**NOTA:** Se deberán seguir los Códigos 248CMR de Plomería para el Estado de Massachusetts. Las válvulas tipo silla son ilegales y su uso no está permitido en Massachusetts. Consulte con un plomero licenciado.

### 5 APRIETE LA ABRAZADERA DEL TUBO

Apriete los tornillos de la abrazadera hasta que la arandela sellante empiece a hincharse.

**NOTA:** No apriete demasiado la tubería ya que podría romperse.



### 6 DIRIJA LA TUBERÍA

Rote la tubería entre la línea del agua fría y el refrigerador.

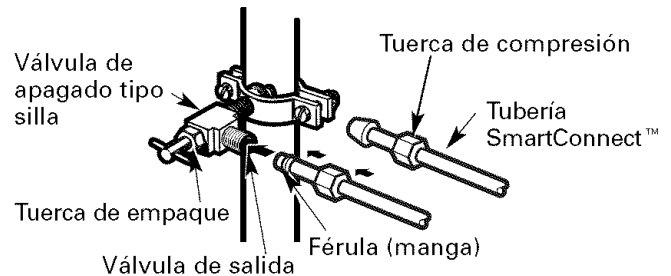
Rote la tubería a través de un orificio perforado en la pared o en el piso (detrás del refrigerador o del gabinete de la base adyacente) lo más cerca posible a la pared.

### 7 CONECTE LA TUBERÍA A LA VÁLVULA

Coloque la tuerca de compresión y férula para la tubería de cobre (manga) en el extremo de la tubería y conéctela a la válvula de apagado.

Asegúrese de que la tubería esté completamente insertada en la válvula. Apriete la tuerca de compresión firmemente.

Para tubería de plástico de un kit de tubería para el refrigerador SmartConnect™ de GE, inserte el extremo moldeado de la tubería en la válvula de apagado y apriete la tuerca de compresión hasta que esté firmemente apretada a mano, luego apriete un giro adicional con una llave. Apretar demasiado puede causar fugas.

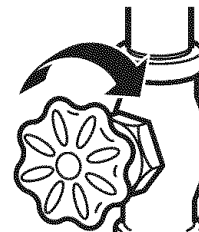


**NOTA:** Se deberán seguir los Códigos 248CMR de Plomería para el Estado de Massachusetts. Las válvulas tipo silla son ilegales y su uso no está permitido en Massachusetts. Consulte con un plomero licenciado.

### 8 LAVÉ LA TUBERÍA

Abra el suministro principal de agua y lave la tubería hasta que el agua esté limpia.

Cierre el agua en la válvula después de que un cuarto (1 litro) se haya eliminado por la tubería.



Para completar la instalación del refrigerador, regrese al Paso 1 en *Instalación del refrigerador*.



Los refrigeradores más nuevos producen sonidos diferentes a los modelos más antiguos. Los refrigeradores modernos tienen más funciones y usan tecnología más reciente.

**¿Usted escucha lo que yo escucho? Estos sonidos son normales.**

## HMMMM... WHOOSH....

- El nuevo compresor de alta eficiencia puede funcionar más rápido y durar más que el de su refrigerador anterior y puede escuchar un zumbido de tono alto o un sonido pulsante mientras opera.
- Puede escuchar un sonido de soplido cuando las puertas se cierran. Esto se debe a que la presión se está estabilizando dentro del refrigerador.

## ¡WHIR!



- Puede escuchar los ventiladores moviéndose a gran velocidad. Esto pasa cuando el refrigerador se conecta por primera vez, cuando las puertas se abren frecuentemente o cuando se guarda gran cantidad de alimentos en el refrigerador o en los compartimientos del congelador. Los ventiladores están ayudando a mantener las temperaturas correctas.
- Los ventiladores cambian la velocidad para suministrar enfriamiento óptimo y ahorrar energía.

## CHASQUIDOS, ESTALLIDOS, CRUJIDO

- Puede escuchar sonidos como de crujido o estallidos cuando el refrigerador se conecta por primera vez. Esto pasa a medida que el refrigerador se enfría hasta la temperatura correcta.
- El control del congelador produce un chasquido cuando el compresor inicia o para.
- El reloj del descongelador produce un chasquido al iniciar y terminar el ciclo de descongelación.
- Expansión y contracción de las bobinas durante o después del ciclo de descongelación puede causar sonidos como de crujido o estallidos.
- En modelos con máquina de hielos, después de completar un ciclo de hacer hielo, se pueden escuchar los cubos de hielo cuando caen a la bandeja de hielos.
- En modelos con un dispensador, durante la distribución de agua, puede escuchar el movimiento de las líneas de agua a la distribución inicial y después la liberación del botón del dispensador.

## SONIDOS DE AGUA



- El fluido del refrigerante a través de las bobinas puede producir un sonido de borboteo como de agua hirviendo.
- El agua que cae en el calentador de descongelación puede causar un chisporroteo, estallido o zumbido durante el ciclo de descongelación.
- Un ruido de agua cayendo se puede escuchar durante el ciclo de descongelación a medida que el hielo se derrite del evaporador y fluye hacia la bandeja de drenaje.
- El cierre de las puertas puede producir un sonido de gorgoteo debido a la estabilización de la presión.



Para información adicional sobre los ruidos normales de la máquina de hielos, consulte la sección **Sobre la máquina de hielos automática.**

## Antes de solicitar un servicio...



Solucionar problemas  
¡Ahorre tiempo y dinero! Revise las tablas en las siguientes páginas y tal vez no necesitará de solicitar un servicio.

| Problema                    | Causas Posibles                               | Qué hacer  |
|-----------------------------|---|--|
| El refrigerador no funciona | Refrigerador en ciclo de descongelar.         | • Espere 30 minutos para que la descongelación se termine. |
|                             | Control en posición 0 (apagado).              | • Mueva el control hasta un ajuste de temperatura.         |
|                             | El refrigerador esté desconectado.            | • Empuje la clavija completamente en el enchufe.           |
|                             | Fusible fundido/interruptor de circuito roto. | • Reemplace el fusible o reajuste el interruptor.          |

## Antes de solicitar un servicio...

Seguridad

| Problema  | Causas Posibles                            | Qué hacer  |
|---|--|--|
| <b>Vibraciones o sacudidas (una vibración ligera es normal)</b> | Las patas niveladoras requieren un ajuste. | <ul style="list-style-type: none"> <li>• Vea <i>Cómo nivelar el refrigerador</i>.</li> </ul> |

Operación

|   |  |  |
|---|--|--|
| <b>El motor opera durante periodos prolongados o se arranca y se para con frecuencia. (Refrigeradores modernos con más espacio de almacenamiento y un congelador más grande requieren más tiempo de operación. Se arrancan y se paran a menudo para mantener temperaturas</b> | Es normal cuando el refrigerador es recién instalado en su casa.     | <ul style="list-style-type: none"> <li>• Espere 24 horas para que el refrigerador se enfríe completamente.</li> </ul>  |
|   | Ocurre cuando hay largas cantidades de alimentos en el refrigerador. | <ul style="list-style-type: none"> <li>• Eso es normal.</li> </ul>   |
|   | Se dejó abierta la puerta.   | <ul style="list-style-type: none"> <li>• Revise si un paquete mantiene la puerta abierta.</li> </ul>   |
|   | Clima caluroso o aperturas frecuentes de la puerta.                  | <ul style="list-style-type: none"> <li>• Eso es normal.</li> </ul>   |
| <b>Compartimiento del refrigerador o congelador demasiado cálido</b>  | Controles de temperatura ajustados al punto más frío.                | <ul style="list-style-type: none"> <li>• Vea <i>Los controles</i>.</li> </ul>  |
|   | Se ha activado la función TurboCool.                                 | <ul style="list-style-type: none"> <li>• Esto es normal cuando la función TurboCool está activada. Ver <i>Sobre TurboCool</i> para más información.</li> </ul> |
|   | El control de temperatura no se fijó bastante frío.                  | <ul style="list-style-type: none"> <li>• Vea <i>Los controles</i>.</li> </ul>  |
| <b>Escarcha o cristales de hielo en alimentos congelados (escarcha en paquete es normal)</b>  | Clima caluroso o aperturas frecuentes de la puerta.                  | <ul style="list-style-type: none"> <li>• Fije el control de temperatura un paso más frío. Vea <i>Los controles</i>.</li> </ul>                                 |
|   | Se dejó abierta la puerta.   | <ul style="list-style-type: none"> <li>• Revise si hay un paquete que mantiene la puerta abierta.</li> </ul>   |
|   | Se dejó abierta la puerta.   | <ul style="list-style-type: none"> <li>• Revise si hay un paquete que mantiene la puerta abierta.</li> </ul>   |
| <b>Formación lenta del hielo</b>  | Apertura de puertas muy frecuente o muy prolongada.                  | <ul style="list-style-type: none"> <li>• Revise si hay un paquete que mantiene la puerta abierta.</li> </ul>   |
|   | Se dejó abierta la puerta.   | <ul style="list-style-type: none"> <li>• Revise si hay un paquete que mantiene la puerta abierta.</li> </ul>   |
|   | El control de temperatura no es bastante frío.                       | <ul style="list-style-type: none"> <li>• Vea <i>Los controles</i>.</li> </ul>  |

Instalación

|   |  |   |
|---|--|---|
| <b>La máquina de hielos automática no funciona (en algunos modelos)</b> | El interruptor de corriente de de la máquina de hielos no está encendido.  | <ul style="list-style-type: none"> <li>• Mueva el interruptor a la posición de <b>I (encendido)</b>. La luz de encendido del dispositivo de hacer hielo será de color verde cuando el interruptor de la luz del congelador esté pulsado o cuando la puerta del congelador se encuentre cerrada.</li> </ul>  |
|   | El suministro del agua está apagado o no está conectado.   | <ul style="list-style-type: none"> <li>• Consulte la sección <i>Cómo instalar la tubería del agua</i>.</li> </ul>   |
|   | El compartimiento del congelador no es muy frío.   | <ul style="list-style-type: none"> <li>• Espere 24 horas para que el refrigerador se enfríe completamente.</li> </ul>   |
| <b>Servicio al consumidor</b>   | Hay cubos amontonados en el recipiente de almacenamiento que causan que la máquina de hielos se apague.                | <ul style="list-style-type: none"> <li>• Nivele los cubos con la mano.</li> </ul>   |
|   | Los cubos de hielo están obstruidos en la máquina de hielos. (La luz verde de la máquina de hielos está intermitente). | <ul style="list-style-type: none"> <li>• Apague la máquina de hielos, retire los cubos y vuelva a encender la máquina de hielos.</li> </ul>   |
|   | La luz del dispositivo de hacer hielo no está encendida.   | <ul style="list-style-type: none"> <li>• Esto es normal cuando la puerta del congelador está abierta. La luz de encendido del dispositivo de hacer hielo será de color verde cuando el interruptor de la luz del congelador esté pulsado o cuando la puerta del congelador se encuentre cerrada.</li> </ul> |

| <b>Problema</b>   | <b>Causas Posibles</b>   | <b>Qué hacer</b>   |
|---|--|--|
| <b>Sonido de zumbido frecuente</b>  | El interruptor del suministro eléctrico de la máquina de hielos está en la posición <b>I (encendido)</b> , pero el suministro de agua hacia el refrigerador no ha sido conectado.  | <ul style="list-style-type: none"> <li>Coloque el interruptor en la posición <b>0 (apagado)</b>. Mantenerlo en la posición <b>I (encendido)</b> dañará la válvula de agua.</li> </ul>  |
| <b>Cubos pequeños o huecos</b>  | Filtro de agua tapado.   | <ul style="list-style-type: none"> <li>Reemplace el cartucho del filtro con uno nuevo o con el tapón.</li> </ul>   |
| <b>Los cubos tienen mal olor/sabor</b>  | Alimentos transmitiendo olor/sabor a los cubos.<br>El interior del refrigerador requiere limpieza.   | <ul style="list-style-type: none"> <li>Envuelva bien los alimentos.</li> <li>Vea <i>Cuidado y limpieza</i>.</li> <li>Mantenga una caja abierta de bicarbonato de sodio en el refrigerador; cámbiela cada tres meses.</li> </ul>            |
| <b>El refrigerador huele</b>  | Alimentos transmitiendo olores al refrigerador.<br>El interior requiere limpieza.  | <ul style="list-style-type: none"> <li>Alimentos con olores fuertes deben estar tapados.</li> <li>Guarde una caja de bicarbonato de sodio en el refrigerador; cámbiela cada tres meses.</li> <li>Vea <i>Cuidado y limpieza</i>.</li> </ul> |
| <b>Se forma humedad en la superficie del refrigerador</b>   | No es extraño durante periodos de alta humedad.  | <ul style="list-style-type: none"> <li>Seque la superficie con un paño suave y ajuste el control del refrigerador una marca más hacia lo frío.</li> </ul>  |
| <b>Humedad se forma al interior (en clima húmedo, el aire lleva la humedad al refrigerador cuando las puertas se abren)</b> | Abrir la puerta con mucha frecuencia o por mucho tiempo.   |  |
| <b>La luz del compartimento del refrigerador o del congelador no funciona</b>   | No hay corriente en el toma corriente.<br>Bombilla quemada o suelta.   | <ul style="list-style-type: none"> <li>Reemplace el fusible o vuelva a iniciar el interruptor.</li> <li>Consulte la sección <i>Cómo reemplazar la bombilla</i>.</li> </ul>   |
| <b>Aire caliente de la parte de abajo del refrigerador</b>  | Motor de enfriamiento normal del flujo del aire. En el proceso de refrigeración, es normal que salga calor de la parte inferior del refrigerador. Algunas cubiertas de piso son sensibles y se decolorarán ante estas temperaturas normales y seguras. |  |
| <b>Congelamiento de alimentos en el refrigerador</b>  | Los alimentos están muy cercanos al ventilador en la parte posterior del refrigerador.<br>El control del refrigerador está en un nivel demasiado frío.   | <ul style="list-style-type: none"> <li>Mueva los alimentos lejos del ventilador.</li> <li>Mueva el control del refrigerador a una temperatura menos fría un incremento a la vez.</li> </ul>  |
| <b>Brillo color naranja en el congelador</b>  | El calentador de descongelación está encendido.  | <ul style="list-style-type: none"> <li>Esto es normal.</li> </ul>  |

# Antes de solicitar un servicio...

Seguridad

| Problema  | Causas Posibles   | Qué hacer   |
|---|---|---|
| <b>La puerta/gaveta no se cierra sola</b>   | Las patas niveladoras necesitan ajuste.   | <ul style="list-style-type: none"> <li>• Consulte la sección <i>Instalación del refrigerador</i>.</li> </ul>  |
| <b>La puerta/gaveta del congelador se abre cuando la puerta del refrigerador está cerrada</b> | Esto es normal si después de abrirse, la puerta/gaveta del congelador se cierra sola. | <ul style="list-style-type: none"> <li>• Esto indica que hay un buen sellante en la puerta/gaveta del congelador. Si la puerta/gaveta del congelador no se cierra automáticamente después de abrirse, entonces consulte la sección anterior, <b>Problema: La puerta/gaveta del refrigerador no se cierra sola</b>.</li> </ul> |

Operación

|   |   |  |
|---|---|--|
| <b>El agua tiene un sabor/olor malo</b>     | El dispensador de agua no se uso por mucho tiempo.  | <ul style="list-style-type: none"> <li>• Dispense el agua hasta que todo el sistema del agua se llene de nuevo.</li> </ul> |
| <b>El agua en el primer vaso está tibia</b> | Eso es normal con un refrigerador recién instalado. | <ul style="list-style-type: none"> <li>• Espere 24 horas para que se enfríe el refrigerador.</li> </ul>                    |
|   | El dispensador de agua no se uso por mucho tiempo.  | <ul style="list-style-type: none"> <li>• Dispense el agua hasta que todo el sistema del agua se llene de nuevo.</li> </ul> |
|   | El sistema de agua se ha desaguado.                 | <ul style="list-style-type: none"> <li>• Espere algunas horas para que se enfríe el agua.</li> </ul>                       |

Instalación

|   |   |  |
|---|---|--|
| <b>El dispensador de agua no funciona</b> | Suministro de agua apagado o no conectado.  | <ul style="list-style-type: none"> <li>• Vea <i>Instalar la línea de agua</i>.</li> </ul>  |
|   | Filtro de agua tapado.  | <ul style="list-style-type: none"> <li>• Reemplace el cartucho del filtro o remueve el filtro y instale el tapón.</li> </ul>   |
|   | Aire atrapado en el sistema del agua.   | <ul style="list-style-type: none"> <li>• Presione el brazo del dispensador por un par de minutos.</li> </ul>   |
|   | El agua del depósito está congelada porque los controles están configurados a una temperatura muy baja. | <ul style="list-style-type: none"> <li>• Configure el control del refrigerador a una temperatura más elevada y espere 24 horas. Si no sale agua después de 24 horas, llame al servicio técnico.</li> </ul> |

Solucionar problemas

|   |  |   |
|---|--|---|
| <b>El agua chorrea del dispensador</b>                            | Cartucho del filtro recién instalado.                    | <ul style="list-style-type: none"> <li>• Deje correr el agua desde el dispensador por 3 minutos (aprox. 1½ galóns).</li> </ul>  |
| <b>No sale agua y el dispositivo para hacer hielo no funciona</b> | Está tapada la línea de agua o la llave de paso.         | <ul style="list-style-type: none"> <li>• Llame a un plomero.</li> </ul>   |
|   | Filtro de agua tapado.                                   | <ul style="list-style-type: none"> <li>• Reemplace el cartucho del filtro o remueve el filtro y instale el tapón.</li> </ul>  |
|   | El cartucho del filtro no está instalado apropiadamente. | <ul style="list-style-type: none"> <li>• Remueva y reinstale el cartucho del filtro, cerciorándose de que encaja en su lugar. La cuchilla en el extremo del cartucho deberá colocarse verticalmente.</li> </ul> |

Servicio al consumidor

|  |   |  |
|--|---|--|
| <b>El agua se está fugando del dispensador</b> | El vaso no está siendo sostenido debajo del dispensador por suficiente tiempo después de que el botón es liberado.                    | <ul style="list-style-type: none"> <li>• Sostenga el vaso debajo del dispensador por 2 ó 3 segundos después de liberar el botón del dispensador. El agua podría continuar dispensándose después de que el botón sea liberado.</li> </ul> |
|  | Puede haber aire presente en el sistema de la tubería del agua que causa que el agua gotee después de que el agua se haya dispensado. | <ul style="list-style-type: none"> <li>• Dispense agua por al menos 2 minutos para retirar el aire del sistema.</li> </ul>   |



| <b>Problema</b>  | <b>Causas Posibles</b>   | <b>Qué hacer</b>   |
|--|--|--|
| <b>La pantalla muestra E2</b>  | La función TurboCool se encuentra activada.  | <ul style="list-style-type: none"> <li>• Ver <i>Sobre TurboCool</i> para más información.</li> </ul>   |
| <b>La luz del indicador del filtro de agua cambió de color</b>   | Esto es normal.  | <ul style="list-style-type: none"> <li>• Ver <i>Sobre el filtro de agua</i> para más información.</li> </ul>   |
| <b>La luz del indicador del filtro de agua continúa roja aún después de haber cambiado el filtro de agua</b> | El indicador de filtro de agua debe resetearse.  | <ul style="list-style-type: none"> <li>• Presione y sostenga por 3 segundos la tecla <b>RESET WATER FILTER (Resetear el filtro de agua)</b>. Ver <i>Sobre el filtro de agua</i> para más información.</li> </ul>         |
| <b>La luz del indicador del filtro de agua no está encendida</b>   | Esto es normal. Si se enciende una luz de color naranja, se debe cambiar el filtro en poco tiempo. El cartucho del filtro debe cambiarse si se enciende una luz de color rojo. | <ul style="list-style-type: none"> <li>• Ver <i>Sobre el filtro de agua</i> para más información.</li> </ul>   |
| <b>La manija está floja / la manija tiene una brecha</b>   | La manija debe ajustarse.  | <ul style="list-style-type: none"> <li>• Ver las secciones <i>Cómo sujetar la manija de la puerta de alimentos frescos</i> y <i>Cómo sujetar la manija del congelador</i> para información más detallada.</li> </ul>     |
| <b>El refrigerador emite un sonido</b>   | Esto es la alarma de la puerta.  | <ul style="list-style-type: none"> <li>• Cierre la puerta.</li> </ul>  |
| <b>El ajuste de control no está encendido</b>  | En algunos modelos, las bombillas en la parte superior del compartimiento del refrigerador alumbran los ajustes de control de la temperatura.                                  | <ul style="list-style-type: none"> <li>• Si los ajustes de control no se alumbran, inspeccione para verificar si existe alguna bombilla quemada, y cambie si es necesario.</li> </ul>                                    |
| <b>Las puertas del refrigerador no están uniformes (en los modelos de doble puerta)</b>                      | Es necesario realinear las puertas.  | <ul style="list-style-type: none"> <li>• Ver la sección <i>Cómo alinear las puertas dobles</i> localizada bajo <i>Cómo volver a colocar las puertas (Modelos de refrigerador de doble puerta únicamente)</i>.</li> </ul> |

Seguridad

Operación

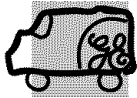
Instalación

Solucionar problemas

Servicio al consumidor

# Garantía del Refrigerador. (Para consumidores en los EE.UU.)

Seguridad



Todos los servicios de garantía los proporcionan nuestros Centros de Reparación de Fábrica o nuestros técnicos Customer Care® autorizados. Para concertar una cita de reparación, en línea, 24 horas al día, visite nos al [ge.com](http://ge.com), o llame al 800.GE.CARES (800.432.2737). Cuando llame para solicitar servicio, por favor tenga a mano el número de serie y el número de modelo.

Grape aquí su recibo. Se requiere facilitar prueba de la fecha de compra original para obtener un servicio bajo la garantía.

## Por el período de: **GE reemplazará:**

Operación

### MODELOS GE y GE PROFILE:

**Un año**  
A partir de la fecha de la compra original

**Cualquier parte** del refrigerador que falle debido a defectos en los materiales o en la fabricación. Durante esta **garantía limitada de un año**, GE también proporcionará, **sin costo alguno**, toda la mano de obra y el servicio relacionado—para reemplazar partes defectuosas.

**Treinta días**  
A partir de la fecha de compra original del refrigerador

**Cualquier parte** del cartucho de filtro de agua que falle debido a defectos en los materiales o manufactura. Durante esta **garantía limitada de treinta días**, GE también proporcionará **sin costo**, un cartucho de filtro de agua de repuesto.

### MODELOS DE GE PROFILE SOLAMENTE:

**Cinco años**  
A partir de la fecha de la compra original

**Cualquier parte del sistema sellado de refrigeración** (compresor, condensador, evaporador y tuberías de conexión) que fallen debido a defectos en los materiales o fabricación. Durante esta **garantía limitada de cinco años del sistema sellado de refrigeración**, GE también proporcionará, **sin costo alguno**, toda la mano de obra y el servicio relacionado para reemplazar partes defectuosas del sistema sellado de refrigeración.

Instalación

### Lo que GE no cubrirá:

- Viajes de servicio a su hogar para enseñarle cómo usar el producto.
- Instalación o entrega inapropiada, o mantenimiento impropio.
- Fallas del producto si hay abuso, mal uso, o uso para otros propósitos que los propuestos, o uso para fines comerciales.
- Pérdida de alimentos por averías.
- Causar daños después de la entrega.
- Reemplazo de fusibles de su hogar o reajuste de interruptores de circuito.
- Reemplazo del cartucho del filtro para agua, si incluidos, debido a presión de agua afuera de las límites de operación especificados o sedimento excesivo en el suministro de agua.
- Reemplazo de las bombillas, si incluidos, o los filtros de agua, si incluidos.
- Daño al producto causado por accidente, fuego, inundaciones, o actos de Dios.
- Daño incidental o consecuencial causado por posibles defectos con el aparato.
- Producto no accesible para facilitar el servicio requerido.

Solucionar problemas

**EXCLUSIÓN DE GARANTÍAS IMPLÍCITAS—Su único y exclusivo derecho es la reparación del producto, tal y como se indica en esta Garantía limitada. Cualquier garantía implícita, incluyendo las garantías implícitas de comerciabilidad o adecuación para un fin determinado, están limitadas a un año o el período de tiempo más breve permitido por la ley.**

Servicio al consumidor

Esta garantía se extiende al comprador original y cualquier comprador posterior de productos comprados para uso residencial dentro de Estados Unidos. Si el producto está situado en un área que no dispone de servicio por parte de un proveedor de servicio autorizado de GE, podría tener que hacerse cargo de los costes de envío o bien podría solicitársele que lleve el producto a una centro de servicio de GE autorizado para realizar la reparación. En Alaska, la garantía excluye el costo de envío o las visitas de servicio a su casa.

Algunos estados no permiten la exclusión o las limitaciones de daños incidentales o consecuenciales. Esta garantía da derechos legales específicos, y usted podría tener otros derechos que variarán de estado a estado. Para saber cuáles son sus derechos legales, consulte a la oficina de asuntos del consumidor local o la oficina del Attorney General en su localidad.

**Hoja de Datos de Funcionamiento**  
**Sistema de Filtración GE SmartWater**  
**Cartucho GSWF**

**Este sistema se ha sometido a las pruebas NSF/ANSI 42/53 a fin de reducir las sustancias presentadas a continuación. Se redujo la concentración de las sustancias indicadas en el agua que ingresan en el sistema a una concentración menor o igual al límite permitido para el agua que sale del sistema, como se especifica en NSF/ANSI 42/53.\***

(Factores de 100% incorporados para la utilización no medida)

| Estándar No. 42: Efectos estéticos |           |                    |                                     |             |           |                |        |                            |
|------------------------------------|-----------|--------------------|-------------------------------------|-------------|-----------|----------------|--------|----------------------------|
| Parámetros                         | USEPA MCL | Promedio influente | Calidad del influente concentración | Effluent    |           | % de reducción |        | Reducción mínima necesaria |
|                                    |           |                    |                                     | Promedio    | Máximo    | Promedio       | Mínimo |                            |
| Cloro                              | —         | 1,845 mg/L         | 2,0 mg/L ± 10%                      | < 0,05 mg/L | 0,05 mg/L | >97,29%        | 96,43% | ≥ 50%                      |
| T & O                              | —         | —                  | —                                   | —           | —         | —              | —      | —                          |
| Partículas**                       | —         | 143.333 #/mL       | 10.000 partículas/mL mínimo         | 29,83 #/mL  | 140 #/mL  | 99,98%         | 99,91% | ≥ 85%                      |

| Estándar No. 53: Efectos Relativos a la Salud |                  |                    |                                     |                |                |                |          |                            |
|---|------------------|--------------------|-------------------------------------|----------------|----------------|----------------|----------|----------------------------|
| Parámetros                                    | USEPA MCL        | Promedio influente | Calidad del influente concentración | Effluent       |                | % de reducción |          | Reducción mínima necesaria |
|   |                  |                    |                                     | Promedio       | Máximo         | Promedio       | Mínimo   |                            |
| Turbidez                                      | 1 NTU***         | 10,3 NTU***        | 1 ± 1 NTU***                        | 0,106 NTU      | 0,14 NTU       | 98,97%         | 98,61%   | 0,5 NTU                    |
| Quistes                                       | 99,95% Reducción | 200.000 #/L        | 50.000 L mínimo                     | 0              | 0              | > 99,99%       | > 99,99% | > 99,95%                   |
| Plomo a pH 6,5                                | 0,015 mg/L       | 0,15 mg/L          | 0,15 mg/L ± 10%                     | < 0,001 mg/L   | < 0,001 mg/L   | > 99,33%       | > 99,33% | 0,010 mg/L                 |
| Plomo a pH 8,5                                | 0,015 mg/L       | 0,14 mg/L          | 0,15 mg/L ± 10%                     | 0,001 mg/L     | 0,003 mg/L     | > 99,29%       | 97,86%   | 0,010 mg/L                 |
| Lindane                                       | 0,0002 mg/L      | 0,0216 mg/L        | 0,002 mg/L ± 10%                    | < 0,00002 mg/L | < 0,00002 mg/L | 99,07%         | 98,75%   | 0,0002 mg/L                |
| Atrazine                                      | 0,003 mg/L       | 0,008 mg/L         | 0,009 mg/L ± 10%                    | < 0,002 mg/L   | < 0,002 mg/L   | > 76,12%       | > 66,67% | 0,003 mg/L                 |

\* Probado utilizando una tasa de flujo de 0,5 gpm (1,8927 l/min.); presión de 60 psig (4,218 Kg/cm2); pH de 7,5 ± 0,5; temp. de 20° ± 3°C

\*\* Medición en partículas/ml. Las partículas usadas eran de 0,5–1 micrón.

\*\*\* Unidades de turbidez Nefelométrica—NTU

### Especificaciones de Operación

- Capacidad: certificado para hasta 750 galones (2838 litros); hasta seis meses
- Requerimientos de presión: 40–120 psi (2,8–8,2 bar), sin choque
- Temperatura: 33°–100°F (0,6°–38°C)
- Tasa de flujo: 0,5 gpm (1,9 lpm)

### Requerimientos Generales de Instalación/Operación/Mantenimiento

- Lave el nuevo cartucho a la tasa máxima por 3 minutos para sacar el aire atrapado.
- Reemplace el cartucho cuando el flujo se haga muy lento.

### Avisos Especiales

- Las instrucciones de instalación, las piezas, la información sobre la disponibilidad de servicio y la garantía estándar se incluyen con el producto al enviarlo.
- Este sistema de agua potable debe mantenerse conforme a las instrucciones del fabricante, incluyendo el reemplazo de los cartuchos.
- No se utiliza en los sitios donde el agua es de calidad microbiológicamente dudosa, ni con aguas de calidad desconocida, sin una desinfección adecuada antes o después del sistema; el sistema puede utilizarse con aguas desinfectadas que puedan contener quistes filtrables.
- Los contaminantes u otras sustancias que este sistema de tratamiento de agua puede remover o reducir, no están presentes, necesariamente, en su agua.
- Verifique el acatamiento de las leyes y reglamentos estatales y locales.
- Tome en cuenta que aunque las pruebas se realizaron bajo condiciones estándar de laboratorio, el resultado real puede variar. Los sistemas se deben instalar y operar de acuerdo con los procedimientos y las pautas que recomienda el fabricante.

Sistema probado y certificado por NSF Internacional contra norma 42 de ANSI/NSF para la reducción de cloro, sabor y olor, partículas Clase I, y contra norma 53 para la reducción de quistes, plomo, Lindane, Atrazine y turbidez.



Hecho por General Electric, Appliance Park, Louisville, KY 40225

**Notas.**

---

|                               |                             |                    |                  |                  |
|-------------------------------|-----------------------------|--------------------|------------------|------------------|
| <b>Servicio al consumidor</b> | <b>Solucionar problemas</b> | <b>Instalación</b> | <b>Operación</b> | <b>Seguridad</b> |
|-------------------------------|-----------------------------|--------------------|------------------|------------------|

**Seguridad**

**Operación**

**Instalación**

**Solucionar problemas**

**Servicio al consumidor**

**Notas.**

---

|                               |                             |                    |                  |                  |
|-------------------------------|-----------------------------|--------------------|------------------|------------------|
| <b>Servicio al consumidor</b> | <b>Solucionar problemas</b> | <b>Instalación</b> | <b>Operación</b> | <b>Seguridad</b> |
|-------------------------------|-----------------------------|--------------------|------------------|------------------|

## Servicio al consumidor.

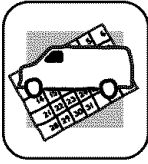
---



### *Página Web de GE Appliances*

**ge.com**

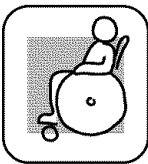
¿Tiene alguna pregunta sobre su electrodoméstico? ¡Pruebe la página Web de GE Appliances 24 horas al día, cualquier día del año! Para mayor conveniencia y servicio más rápido, ya puede descargar los Manuales de los Propietarios, pedir piezas o incluso hacer una cita en línea para que vengan a realizar una reparación.



### *Solicite una reparación*

**ge.com**

El servicio de expertos GE está a tan sólo un paso de su puerta. ¡Entre en línea y solicite su reparación cuando le venga bien 24 horas al día cualquier día del año! O llame al 800.GE.CARES (800.432.2737) durante horas normales de oficina.



### *Real Life Design Studio (Estudio de diseño para la vida real)*

**ge.com**

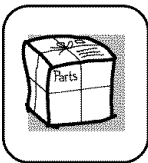
GE apoya el concepto de Diseño Universal—productos, servicios y ambientes que pueden usar gente de todas las edades, tamaños y capacidades. Reconocemos la necesidad de diseñar para una gran gama de habilidades y dificultades físicas y mentales. Para más detalles sobre las aplicaciones de GE Diseño Universal, incluyendo ideas de diseño para la cocina para personas con discapacidades, mire nuestra página Web hoy mismo. Para personas con dificultades auditivas, favor de llamar al 800.TDD.GEAC (800.833.4322).



### *Garantías ampliadas*

**ge.com**

Compre una garantía ampliada y obtenga detalles sobre descuentos especiales disponibles mientras su garantía está aún activa. Puede comprarla en línea en cualquier momento, o llamar al (800.626.2224) durante horas normales de oficina. GE Consumer Home Services estará aún ahí cuando su garantía termine.



### *Piezas y accesorios*

**ge.com**

Aquellos individuos con la calificación necesaria para reparar sus propios electrodomésticos pueden pedir que se les manden las piezas o accesorios directamente a sus hogares (aceptamos las tarjetas VISA, MasterCard y Discover). Haga su pedido en línea hoy, 24 horas cada día o llamar por teléfono al 800.626.2002 durante horas normales de oficina.

**Las instrucciones descritas en este manual cubren los procedimientos a seguir por cualquier usuario. Cualquier otra reparación debería, por regla general, referirse a personal calificado autorizado. Debe ejercerse precaución ya que las reparaciones incorrectas pueden causar condiciones de funcionamiento inseguras.**



### *Póngase en contacto con nosotros*

**ge.com**

Si no está satisfecho con el servicio que recibe de GE, póngase en contacto con nosotros en nuestra página Web indicando todos los detalles así como su número de teléfono o escribanos a:

General Manager, Customer Relations  
GE Appliances, Appliance Park  
Louisville, KY 40225



### *Registre su electrodoméstico*

**ge.com**

¡Registre su nuevo electrodoméstico en línea—cuando usted prefiera! El registrar su producto a tiempo le proporcionará, si surgiera la necesidad, una mejor comunicación y un servicio más rápido bajo los términos de su garantía. También puede enviar su tarjeta de registro pre-impresa que se incluye en el material de embalaje o recorte y use el formulario de este Manual del Propietario.

## Consumer Support.

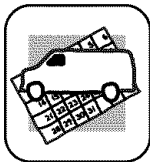
---



### GE Appliances Website

In the U.S.: **ge.com**

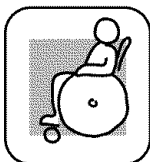
Have a question or need assistance with your appliance? Try the GE Appliances Website 24 hours a day, any day of the year! For greater convenience and faster service, you can now download Owner's Manuals, order parts or even schedule service on-line. **In Canada: [www.geappliances.ca](http://www.geappliances.ca)**



### Schedule Service

In the U.S.: **ge.com**

Expert GE repair service is only one step away from your door. Get on-line and schedule your service at your convenience 24 hours any day of the year! Or call 800.GE.CARES (800.432.2737) during normal business hours. **In Canada, call 1.800.561.3344**



### Real Life Design Studio

In the U.S.: **ge.com**

GE supports the Universal Design concept—products, services and environments that can be used by people of all ages, sizes and capabilities. We recognize the need to design for a wide range of physical and mental abilities and impairments. For details of GE's Universal Design applications, including kitchen design ideas for people with disabilities, check out our Website today. For the hearing impaired, please call 800.TDD.GEAC (800.833.4322).

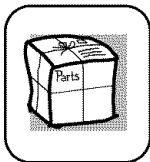
**In Canada, contact:** Manager, Consumer Relations, Mabe Canada Inc.  
Suite 310, 1 Factory Lane  
Moncton, N.B. E1C 9M3



### Extended Warranties

In the U.S.: **ge.com**

Purchase a GE extended warranty and learn about special discounts that are available while your warranty is still in effect. You can purchase it on-line anytime, or call 800.626.2224 during normal business hours. GE Consumer Home Services will still be there after your warranty expires. **In Canada, call 1.888.261.2133**



### Parts and Accessories

In the U.S.: **ge.com**

Individuals qualified to service their own appliances can have parts or accessories sent directly to their homes (VISA, MasterCard and Discover cards are accepted). Order on-line today, 24 hours every day or by phone at 800.626.2002 during normal business hours.

**Instructions contained in this manual cover procedures to be performed by any user. Other servicing generally should be referred to qualified service personnel. Caution must be exercised, since improper servicing may cause unsafe operation.**

Customers **in Canada** should consult the yellow pages for the nearest Mabe service center, or call 1.888.261.3055.



### Contact Us

In the U.S.: **ge.com**

If you are not satisfied with the service you receive from GE, contact us on our Website with all the details including your phone number, or write to: General Manager, Customer Relations  
GE Appliances, Appliance Park  
Louisville, KY 40225

**In Canada: [www.geappliances.ca](http://www.geappliances.ca), or write to:** Director, Consumer Relations, Mabe Canada Inc.  
Suite 310, 1 Factory Lane  
Moncton, N.B. E1C 9M3



### Register Your Appliance

In the U.S.: **ge.com**

**Register your new appliance on-line—at your convenience!** Timely product registration will allow for enhanced communication and prompt service under the terms of your warranty, should the need arise. You may also mail in the pre-printed registration card included in the packing material. **In Canada: [www.geappliances.ca](http://www.geappliances.ca)**