

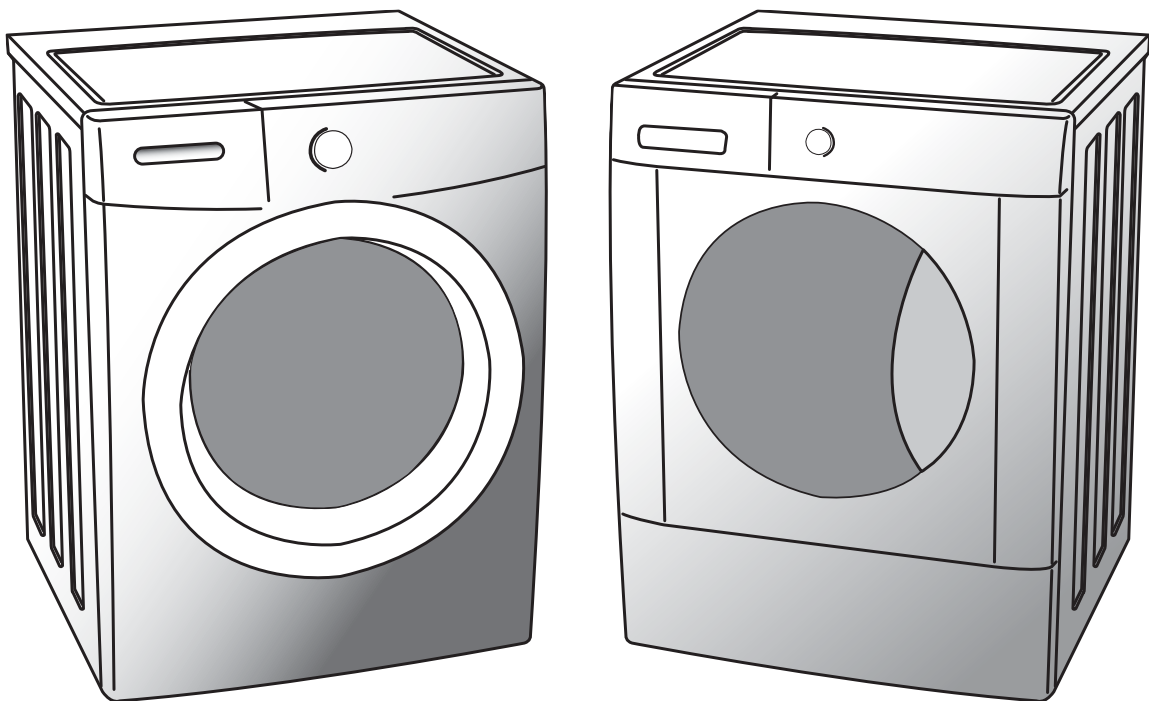
---

# Installation Instructions

Front Load Washer

# Instructions d'Installation

Laveuse à chargement frontal



---

## Table of Contents

Important Safety Instructions .....	2	Installation Instructions .....	8-9
Pre-Installation Requirements .....	2	Accessories .....	10
Installation Requirements .....	3-4	Notes .....	12
Installed Dryer Dimensions .....	5	Français .....	13
Unpacking Washer .....	6-7		

---

## Important Safety Instructions

**⚠ WARNING** For your safety the information in this manual must be followed to minimize the risk of fire or explosion or to prevent property damage, personal injury or loss of life. Do not store or use gasoline or other flammable vapors and liquids in the vicinity of this or any other appliance.

### Recognize safety symbols, words and labels

Safety items throughout this manual are labeled with a WARNING or CAUTION based on the risk type as described:

**⚠ WARNING** This symbol alerts you to situations that may cause serious body harm, death or property damage.

**⚠ CAUTION** This symbol alerts you to situations that may cause bodily injury or property damage.

**⚠ WARNING** Read all of the following instructions before installing and using this appliance:

- Destroy the carton and plastic bags after the washer is unpacked. Children might use them for play. Cartons covered with rugs, bedspreads, or plastic sheets can become airtight chambers causing suffocation. Place all materials in a garbage container or make materials inaccessible to children.
- The electrical service to the washer must conform with local codes and ordinances and the latest edition of the National Electrical Code, ANSI/NFPA 70, or in Canada, CSA 22.1 Canadian Electrical Code Part 1.
- To avoid back or other injury, have more than one person move or lift the washer.
- The instructions in this manual and all other literature included with this washer are not meant to cover every possible condition and situation that may occur. Good safe practice and caution **MUST** be applied when installing, operating and maintaining any appliance.

***Save these instructions for future reference.***

---

## Pre-Installation Requirements

Tools and materials needed for installation:



OR



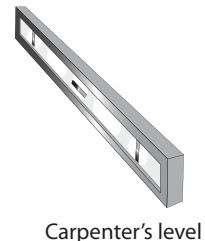
OR



AND



AND



# Installation Requirements

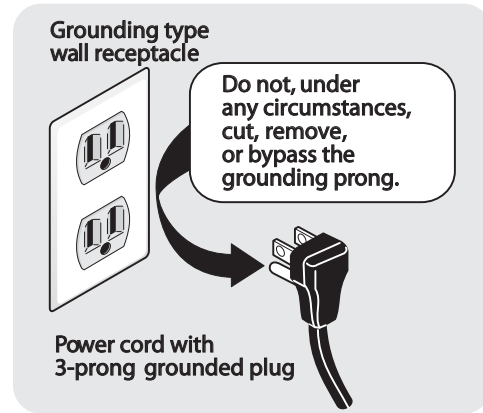
## Electrical system requirements

**CIRCUIT** - Individual, properly polarized and grounded 15 amp. branch circuit fused with 15 amp. time delay fuse or circuit breaker.

**POWER SUPPLY** - 2-wire, with ground, 120 volt single phase, 60 Hz, Alternating Current.

**NOTE** Because of potentially inconsistent voltage capabilities, the use of this washer with power created by gas powered generators, solar powered generators, wind powered generators or any other generator other than the local utility company is not recommended.

**OUTLET RECEPTACLE** - Properly grounded 3-prong receptacle to be located so the power supply cord is accessible when the washer is in an installed position.



**NOTE** GFI (Ground Fault Interrupter) receptacle is not required.

## Grounding requirements

**⚠ WARNING - ELECTRICAL SHOCK HAZARD** - Improper connection of the equipment grounding conductor can result in a risk of electrical shock. Check with a licensed electrician if you are in doubt as to whether the appliance is properly grounded.

1. The washer **MUST** be grounded. In the event of malfunction or breakdown, grounding will reduce the risk of electrical shock by a path of least resistance for electrical current.
2. Since your washer is equipped with a power supply cord having an equipment-grounding conductor and

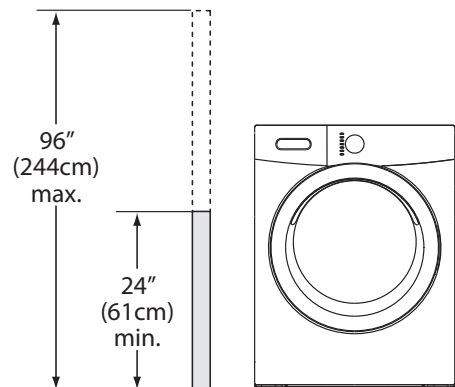
a grounding plug, the plug **MUST** be plugged into an appropriate, copper wired receptacle that is properly installed and grounded in accordance with all local codes and ordinances or in the absence of local codes, with the National Electrical Codes, ANSI/NFPA 70 (latest edition). If in doubt, call a licensed electrician. **DO NOT** cut off or alter the grounding prong on the power supply cord. In situations where a two-slot receptacle is present, it is the owner's responsibility to have a licensed electrician replace it with a properly grounded three prong grounding type receptacle.

## Water supply requirements

Hot and cold water faucets **MUST** be installed within 42 inches (107 cm) of your washer's water inlet. The faucets **MUST** be 3/4 inch (1.9 cm) with threading for laundry hose connection. Water pressure **MUST** be between 30 and 120 psi. Pressure difference between hot and cold cannot be more than 10 psi. Your water department can advise you of your water pressure.

## Drain system requirements

1. Drain capable of eliminating 17 gals (64.3 L) per minute.
2. A standpipe diameter of 1-1/4 in. (3.18 cm) minimum.
3. The standpipe height above the floor should be:  
Minimum height: 24 in. (61 cm)  
Maximum height: 96 in. (244 cm)



**NOTE** Drain hose attached to the washer can reach a 74 in. (188 cm) high standpipe. For higher standpipe, use hose P/N 137098000, available from an authorized parts distributor.

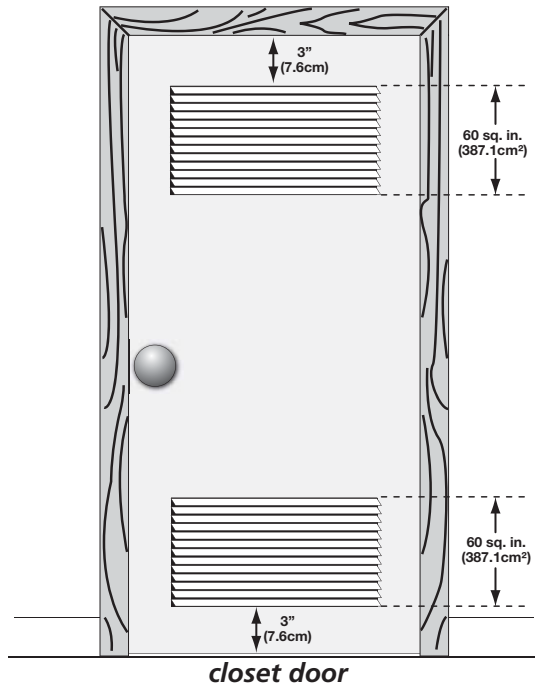
## Clearance requirements

### **IMPORTANT** DO NOT INSTALL YOUR WASHER:

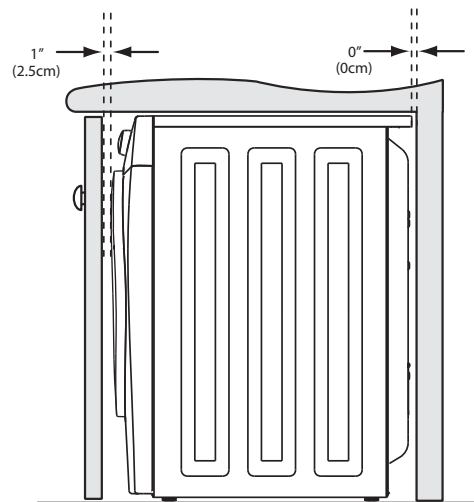
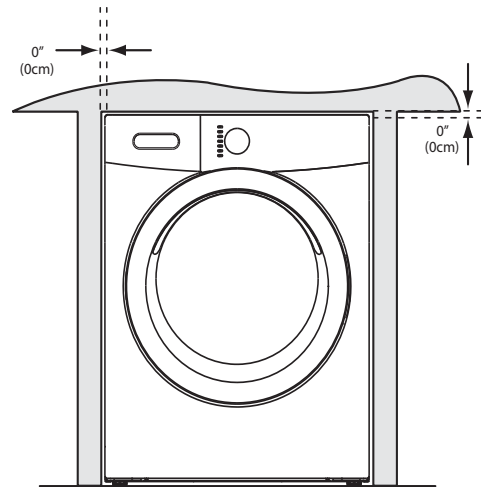
1. In an area exposed to dripping water or outside weather conditions. The ambient temperature should never be below 60° F (15.6° C) to maximize detergent effectiveness
2. In an area (garage or garage-type building) where gasoline or other flammables (including automobiles) are kept or stored.
3. On carpet. Floor **MUST** be solid with a maximum slope of 1 inch (2.54 cm). To minimize vibration or movement, reinforcement of the floor may be necessary.

### **Installation in a Recess or Closet**

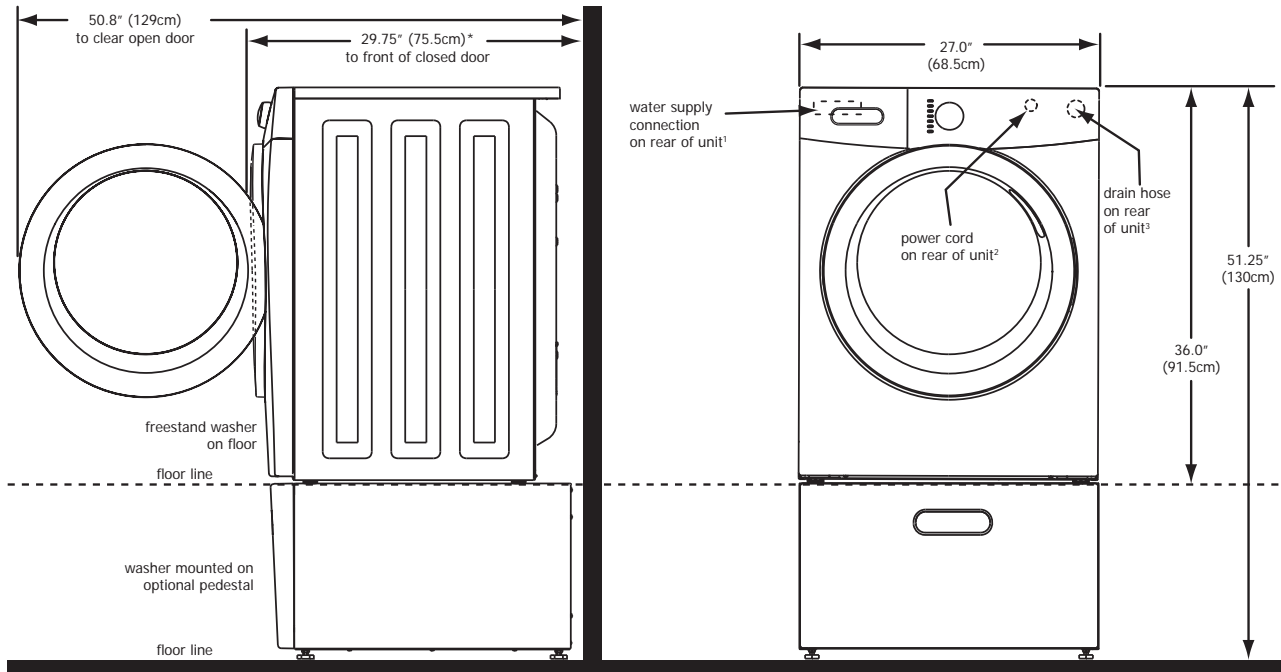
If washer and dryer are installed in the same closet, door ventilation is required: A minimum of 120 square inches (774.2 cm<sup>2</sup>) of opening, equally divided at the top and bottom of the door, is required. Louvered openings should be located 3 inches (7.6 cm) from bottom and top of door. Air openings are required to be unobstructed when a door is installed. A louvered door with equivalent air openings for the full length of the door is acceptable.



MINIMUM INSTALLATION CLEARANCES - Inches (cm)				
	SIDES	REAR	TOP	FRONT
Alcove	0" (0 cm)	0" (0 cm)	0" (0 cm)	n/a
Under-Counter	0" (0 cm)	0" (0 cm)	0" (0 cm)	1" (2.5 cm)
Closet	0" (0 cm)	0" (0 cm)	16" (40.5 cm)	1" (2.5 cm)



# Installed Washer Dimensions

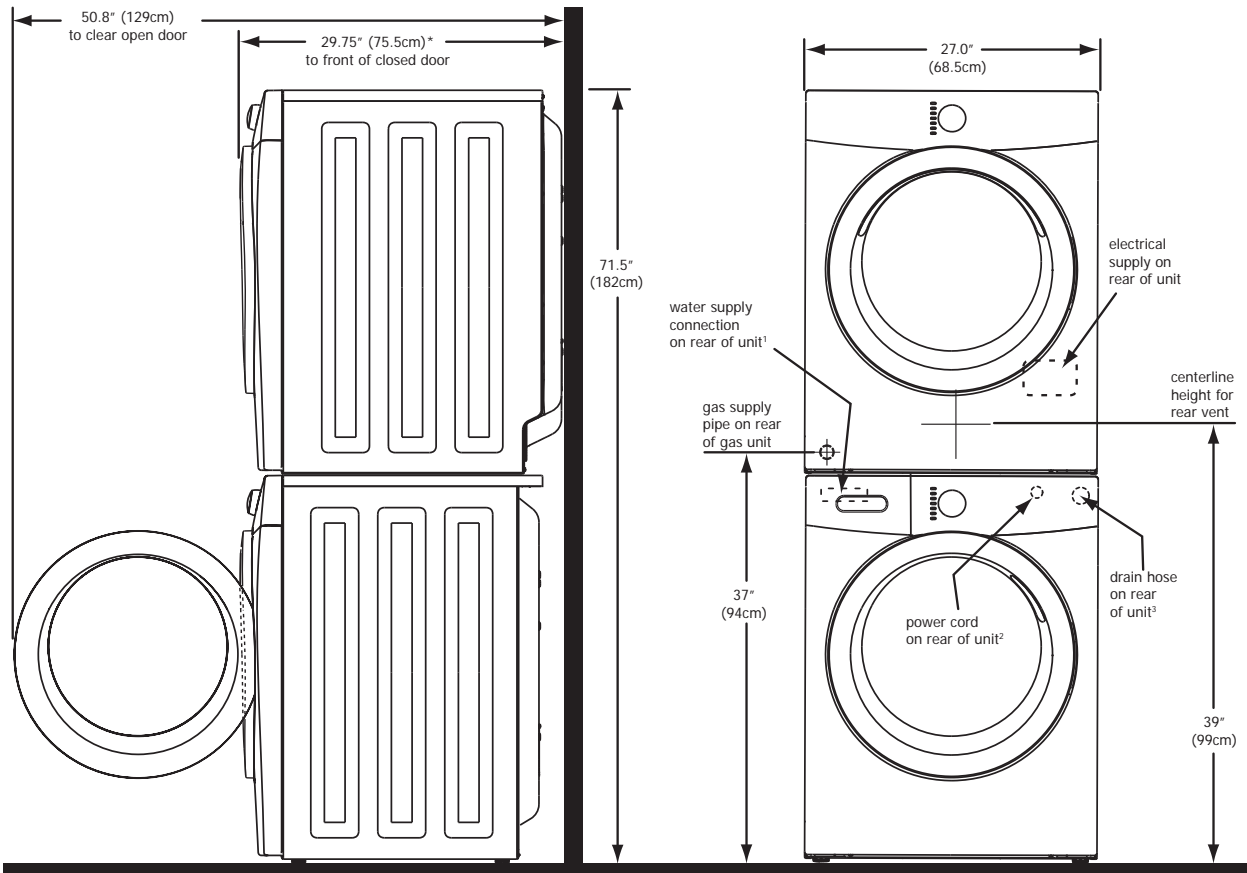


\* To obtain these minimal depth dimensions, dryer must be vented straight back. Using a quick-turn 90° elbow (right or down on freestanding dryer) adds approximately 0.75 in. (2.0 cm) to installation depth. Upward venting of exhaust on pedestal-mounted or freestanding dryer adds approximately 4 in. (10.2 cm) to installation depth. Leftward venting on pedestal-mounted or freestanding dryer adds approximately 3.75 in. (9.5 cm) to installation depth. Downward venting of exhaust on pedestal-mounted dryer adds approximately 2.25 in. (5.7 cm) to installation depth.

<sup>1</sup>Hot and cold inlet hose length approximately 43 inches (109cm)

<sup>2</sup>Power supply cord length approximately 60 inches (152.5cm).

<sup>3</sup>Drain hose length approximately 52 inches (132cm).



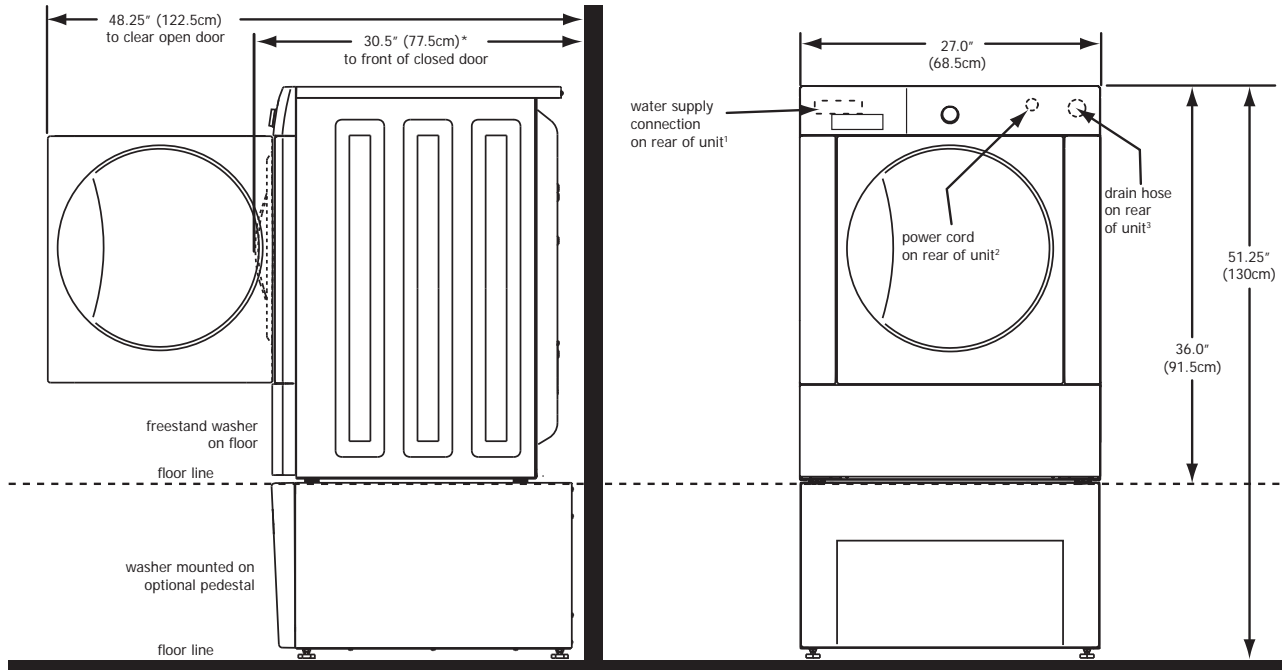
\* To obtain these minimal depth dimensions, dryer must be vented straight back. Using a quick-turn 90° elbow (right) adds approximately 0.75 in. (2 cm) to installation depth. Upward venting of exhaust on stacked dryer adds approximately 4 in. (10.2 cm) to installation depth. Downward venting of exhaust on stacked dryer adds approximately 2.25 in. (6.5 cm) to installation depth. Leftward venting of exhaust on stacked dryer adds approximately 3.75 in. (9.5 cm) to installation depth.

<sup>1</sup>Hot and cold inlet hose length approximately 43 inches (109cm)

<sup>2</sup>Power supply cord length approximately 60 inches (152.5cm).

<sup>3</sup>Drain hose length approximately 52 inches (132cm).

# Installed Washer Dimensions

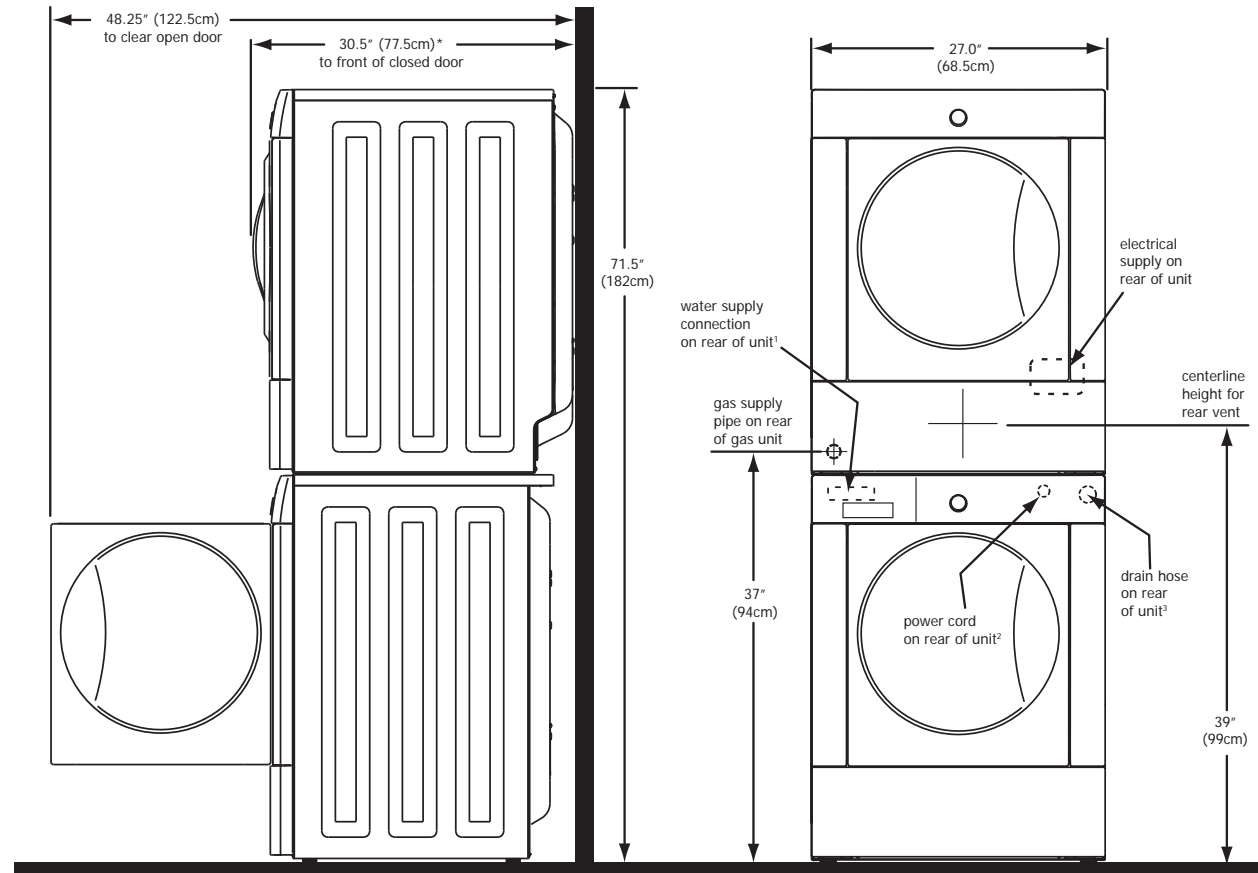


\* To obtain these minimal depth dimensions, dryer must be vented straight back. Using a quick-turn 90° elbow (right or down on freestanding dryer) adds approximately 0.75 in. (2.0 cm) to installation depth. Upward venting of exhaust on pedestal-mounted or freestanding dryer adds approximately 4 in. (10.2 cm) to installation depth. Leftward venting on pedestal-mounted or freestanding dryer adds approximately 3.75 in. (9.5 cm) to installation depth. Downward venting of exhaust on pedestal-mounted dryer adds approximately 2.25 in. (5.7 cm) to installation depth. These dimensions are based on matching 7.0 cu. ft. dryer. If matching dryer is 5.8 cu. ft. version with optional side venting knockouts, dimensions will vary.

<sup>1</sup>Hot and cold inlet hose length approximately 43 inches (109cm)

<sup>2</sup>Power supply cord length approximately 60 inches (152.5cm).

<sup>3</sup>Drain hose length approximately 52 inches (132cm).



\* To obtain these minimal depth dimensions, dryer must be vented straight back. Using a quick-turn 90° elbow (right) adds approximately 0.75 in. (2 cm) to installation depth. Upward venting of exhaust on stacked dryer adds approximately 4 in. (10.2 cm) to installation depth. Leftward venting of exhaust on stacked dryer adds approximately 3.75 in. (9.5 cm) to installation depth. These dimensions are based on matching 7.0 cu. ft. dryer. If matching dryer is 5.8 cu. ft. version with optional side venting knockouts, dimensions will vary.

<sup>1</sup>Hot and cold inlet hose length approximately 43 inches (109cm)

<sup>2</sup>Power supply cord length approximately 60 inches (152.5cm).

<sup>3</sup>Drain hose length approximately 52 inches (132cm).

## Removing foam packaging

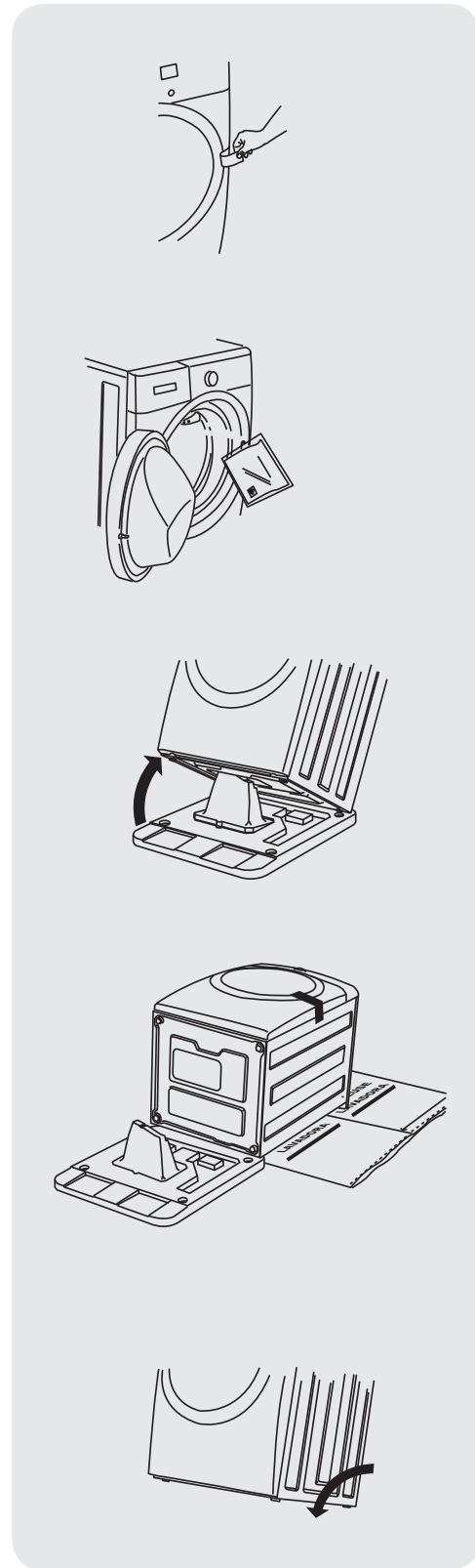
**⚠ WARNING** - *SUFFOCATION HAZARD* - Destroy the carton and plastic bags after the washer is unpacked. Children might use them for play. Cartons covered with rugs, bedspreads, or plastic sheets can become airtight chambers causing suffocation. Place all materials in a garbage container or make materials inaccessible to children.

1. Temporarily remove door tape.
2. Open washer door and remove everything from the drum.
3. Close door and reapply door tape.
4. Using a rug, blanket or piece of cardboard to protect the floor, carefully lay the washer on it's back.

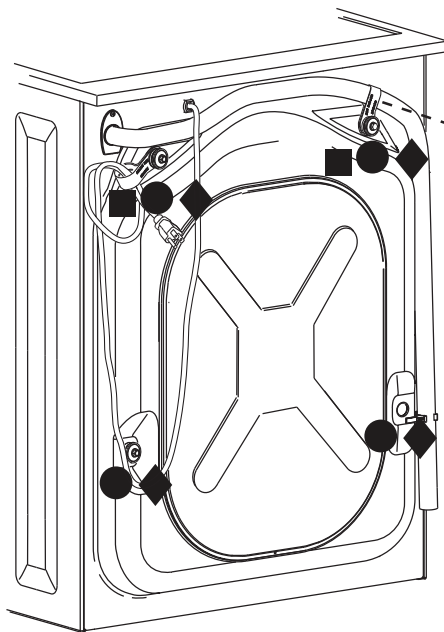
**⚠ CAUTION** - *EXCESSIVE WEIGHT HAZARD* - To avoid back or other injury, have more than one person move or lift the washer.

5. Remove styrofoam base and shipping plug and set them aside.
6. Carefully return the washer to an upright position.
7. Carefully move the washer to within 4 feet (1 m) of its final location.

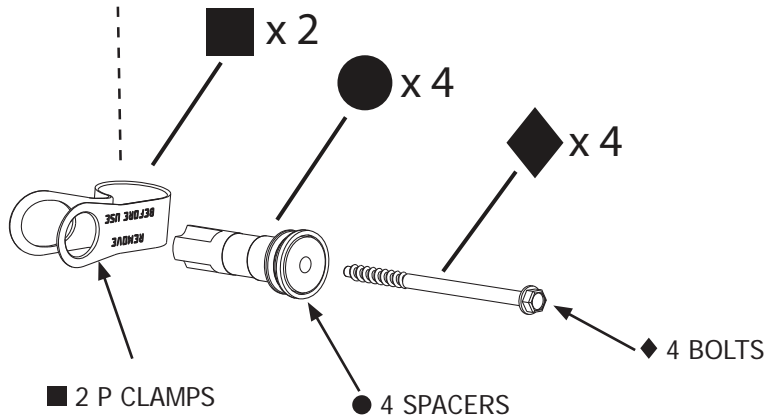
**IMPORTANT** Save styrofoam base and shipping plug for use to help prevent washer damage during any future moves.



## Removing shipping hardware



**NOTE** Rubber expansion material on spacers may need time to relax before they can be easily pulled through shipping hole.

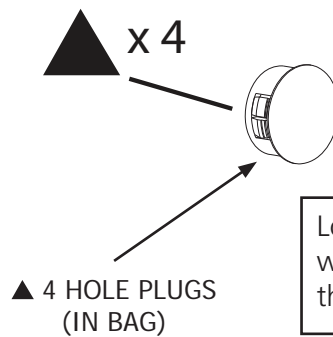
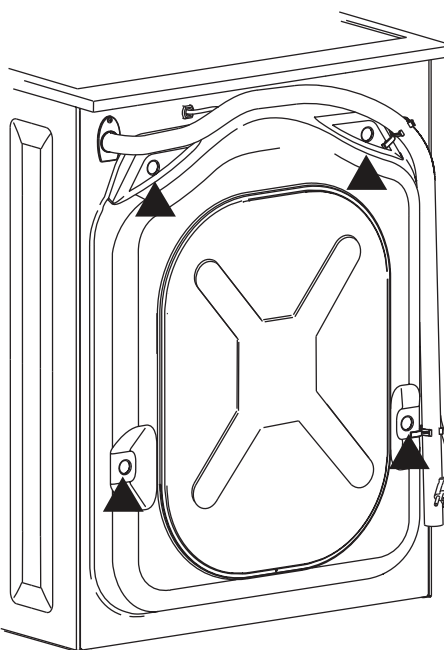


Remove all of the following:

- ◆ 4 BOLTS
- 4 SPACERS
- 2 P CLAMPS

**IMPORTANT** Save all shipping bolts and spacers for future use. If the washer is to be transported at a later date, the shipping hardware must be reinstalled to help prevent shipping damage.

## Installing hole plugs



Locate 4 hole plugs in the small bag supplied with washer instruction guides. Insert them in the holes in washer back panel.

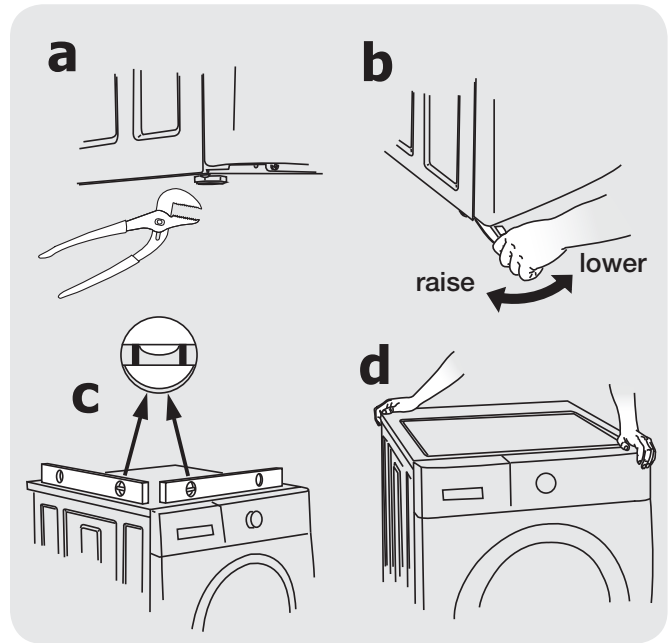


## Leveling your washer

Excessive noise and vibration can be prevented by properly leveling the washer.

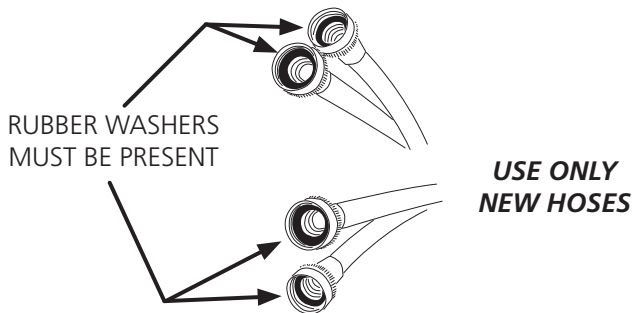
1. For free standing installation and with the washer within 4 feet (1 m) of its final location, place a level on top of the washer.
2. Use adjustable pliers to adjust the leveling legs so the washer is level front-to-rear and side-to-side, and stable corner-to-corner.
3. Press down on alternate corners and sides and feel for the slightest movement. Adjust the appropriate leg(s) so the washer sits solidly on the floor on ALL four legs. Keep the leveling leg extension at a minimum for best performance of the washer.

**NOTE** For pedestal installations, see additional installation instructions included with the pedestal.

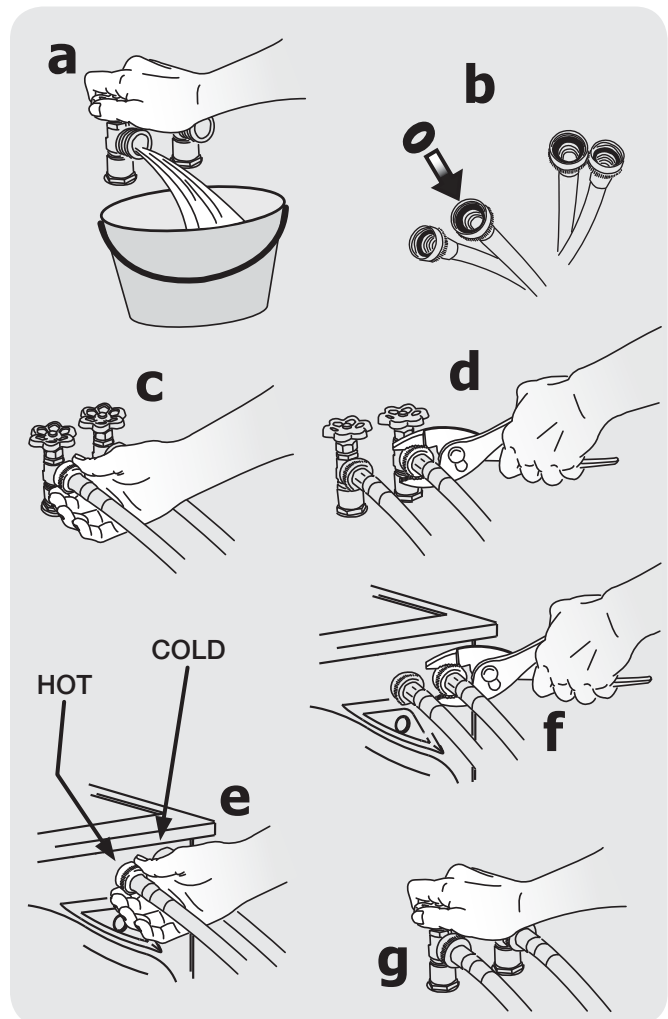


## Connecting inlet water

1. Run some water from the hot and cold faucets to flush the water lines and remove particles that might clog the water valve screens and to determine which faucet is hot and which is cold supply.
2. Remove the inlet hoses and rubber washers from the plastic bag located in the drum of the washer and install the rubber washers in each end of the inlet hoses.



3. Connect the **HOT** inlet hose to the **HOT** inlet connection on the washer and the **COLD** inlet hose to the **COLD** inlet connection on the washer. Tighten by hand until snug. Then tighten each supply connection another 2/3 turn with pliers. **Do not cross thread or over-tighten these connections.**
4. Connect the **HOT** inlet hose to the **HOT** water supply and the **COLD** inlet hose to the **COLD** water supply. Tighten by hand until snug. Then tighten each supply connection another 2/3 turn with pliers.
5. Turn on the water and check for leaks.

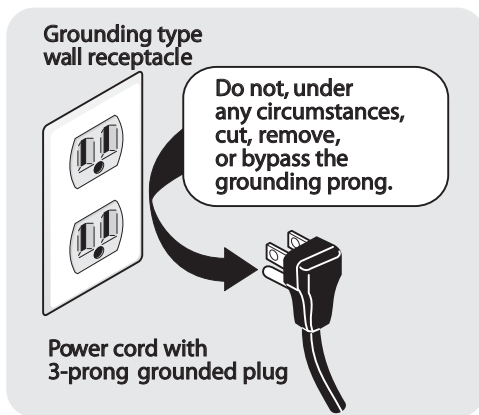


## Connecting drain and electrical

1. Snap one end of the drain hose hanger (shipped in washer drum) onto the drain hose. Continue wrapping it around the hanger and snap it in place.
2. Place the hook end of the drain hose in the drain opening. Secure the drain hose with the cable tie (provided in the enclosure package) to the standpipe, inlet hose, laundry tub, etc. so the hose does not pull out from the force of the water.

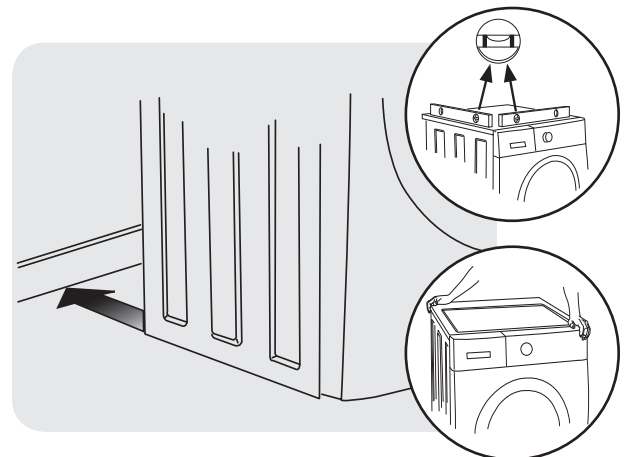
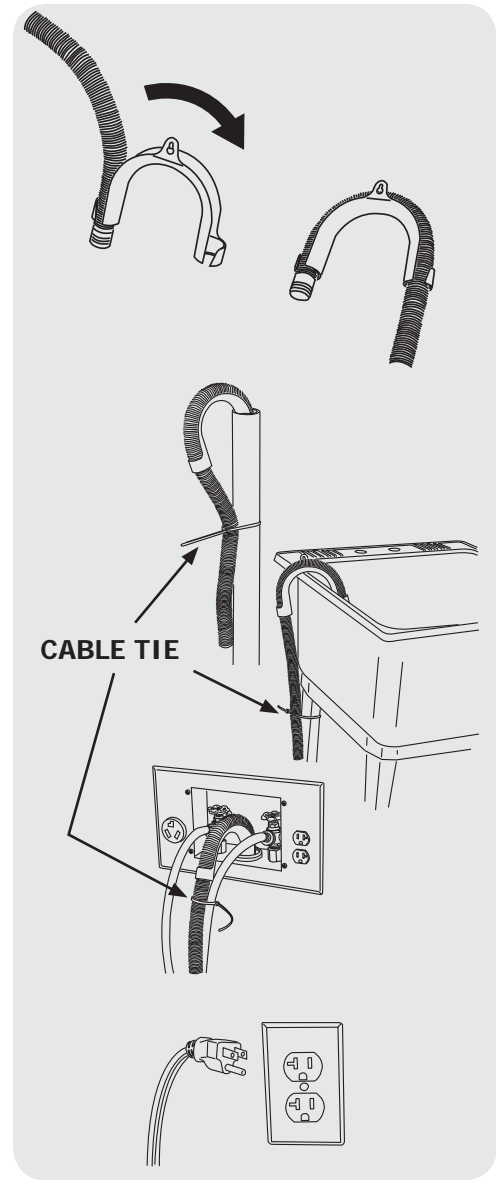
**IMPORTANT** Check to ensure the power is off at circuit breaker/fuse box before plugging the power cord into outlet.

3. Plug the power cord into a grounded outlet.



4. Turn on the power at a circuit breaker/fuse box.
5. Carefully slide the washer to its final position. Recheck for level and rock corners for stability. Remove and discard door tape.
6. Read the Use & Care Guide provided with the washer. It contains valuable and helpful information that will save you time and money.
7. If you have any questions during initial operation, please review the "Service Prevention Checklist" in your Use & Care Guide before calling for service.
8. Place these instructions in a location near the washer for future reference.

**NOTE** A wiring diagram and technical data sheet are located under the washer top panel, on top of the detergent dispenser housing.



## Accessories

**⚠ CAUTION** Failure to use accessories manufactured by (or approved by) the manufacturer could result in personal injury, property damage or damage to the dryer.

### DRYER STACKING KIT

P/N 134700600

Depending on the model you purchased, a kit for stacking a matching dryer on top of this washer may have been included in the initial purchase of your dryer. If your model did not include a stacking kit or you desire another stacking kit, you may order one.

### DRAIN HOSE EXTENSION KIT

P/N 137098000

In order to reach standpipe heights or distances beyond the reach of the drain hose supplied, order the DRAIN HOSE EXTENSION KIT.

### MOBILE HOME INSTALLATION KIT

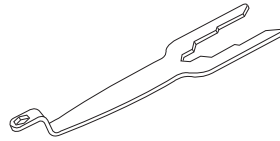
P/N 137067200

Installations in mobile homes require use of MOBILE HOME INSTALLATION KIT.

### UNIVERSAL APPLIANCE WRENCH

P/N 137019200

A UNIVERSAL APPLIANCE WRENCH is available to aid in dryer/washer/ pedestal feet adjustment.



### TOUCH UP PAINT PENS\*

White Touch Up Pen - P/N 5303321319

Black Touch Up Pen - P/N 5304458932

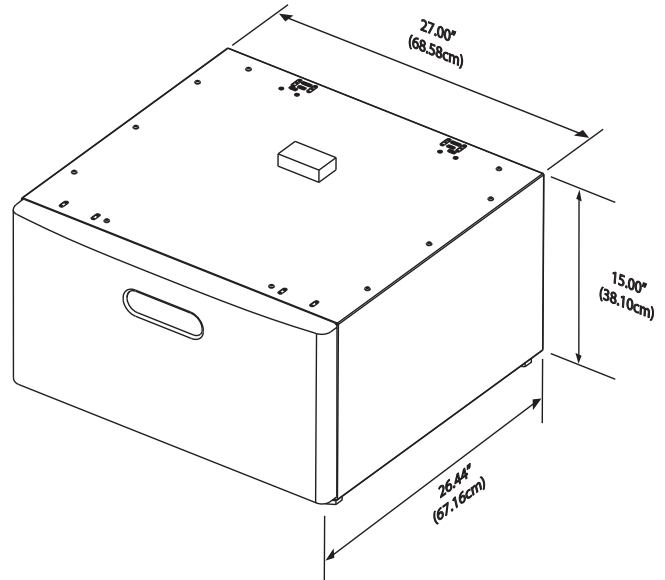
Silver Touch Up Pen - P/N 5304471228



\*Other colors may be available. Contact the source where you purchased your washer.

### MATCHING STORAGE PEDESTAL

See chart below for style, color and P/N

A storage pedestal accessory, specifically designed for this washer may be used to elevate the washer for ease of use. This pedestal will add about 15" (38 cm) to the height of your unit for a total height of 51.25" (130 cm).



	This type of washer:	This type of washer:
Pedestal color*		
white	NLPWD15 or 48062	APWD15 or 46262
black	NLPWD15E or 48066	APWD15E
silver	NLPWD15A or 46267	N/A

\*Not all pedestal colors are available on all models. Other colors may be available that are not listed above. Contact the source where you purchased your washer.

## Replacement parts:

If replacements parts are needed for your washer, contact the source where you purchased your washer.

**⚠ WARNING** - **ELECTRICAL SHOCK HAZARD** - Label all wires prior to disconnection when servicing controls. Wiring errors can cause improper and dangerous operation. Verify proper operation after servicing.

---

## ***Notes***

## Table des Matières

Mesures de sécurité importantes.....	13	Déballage de la laveuse.....	18-19
Exigences avant l'installation.....	13	Instructions d'installation.....	20-21
Exigences d'installation.....	14-15	Accessoires.....	22
Dimensions, appareil installé.....	16-17	Remarques.....	23

## Mesures de Sécurité Importantes

**⚠ AVERTISSEMENT** Pour votre sécurité, l'information contenue dans ces instructions doit être suivie afin de réduire les risques d'incendie ou d'explosion ou pour prévenir les dommages matériels, les blessures ou la mort. Vous ne devez ni entreposer, ni utiliser d'essence ou d'autres vapeurs ou liquides inflammables à proximité de cet appareil ou de tout autre appareil électroménager.

### Sachez reconnaître les symboles, les avertissements et les étiquettes de sécurité.

Les mesures de sécurité présentées dans ce guide sont identifiées par le mot AVERTISSEMENT ou ATTENTION selon le type de risque présenté ci-dessous:

**⚠ AVERTISSEMENT** Ce symbole vous avertit à propos des situations pouvant causer des dommages matériels, des blessures graves ou même la mort.

**⚠ ATTENTION** Ce symbole vous avertit à propos des situations pouvant causer des dommages matériels ou des blessures.

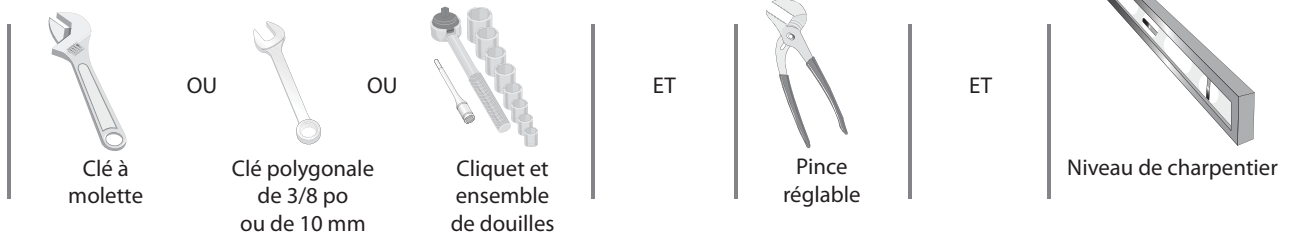
**⚠ AVERTISSEMENT** Lisez toutes les instructions de sécurité suivantes avant d'installer et d'utiliser votre appareil:

- Détruisez le carton d'emballage et les sacs en plastique après avoir déballé l'appareil. Les enfants pourraient les utiliser pour jouer. Le carton recouvert de tapis, les couvertures et les feuilles de plastique peuvent être étanches à l'air et provoquer la suffocation. Déposez tous les matériaux d'emballage dans un conteneur à déchets ou faites en sorte que les enfants ne puissent y avoir accès.
- L'installation électrique de la laveuse doit être conforme aux codes et aux règlements locaux ainsi qu'à la toute dernière édition du National Electrical Code (ANSI/NFPA 70), ou au Canada, au Code canadien de l'électricité (C22.1, article 1).
- Pour éviter les blessures au dos ou d'autres types de blessure, demandez l'aide d'autres personnes pour déplacer ou soulever la laveuse.
- Les instructions comprises dans ce guide et toute autre documentation fournie avec cet appareil ne sont pas conçues pour couvrir toutes les éventualités ou situations qui pourraient survenir. Vous DEVEZ faire preuve de bon sens et de prudence durant l'installation, l'utilisation et l'entretien de tout appareil ménager.

**Conservez ces instructions pour vous y reporter ultérieurement.**

## Exigences avant l'installation

### Outils nécessaires à l'installation :



## Exigences d'Installation

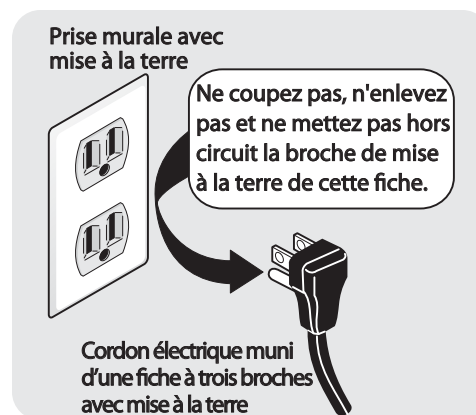
### Exigences des systèmes électriques

**CIRCUIT** - Circuit indépendant de 15 ampères, polarisé et mis à la terre, avec fusible temporisé ou disjoncteur de 15 A.

**ALIMENTATION ÉLECTRIQUE** - Câble monophasé à deux fils mis à la terre, 120 volts, 60 Hz; courant alternatif.

**REMARQUE** Étant donné les variations de tension possibles, l'utilisation de cette laveuse avec une source d'alimentation produite par une génératrice à essence, solaire ou éolienne ou par toute autre source d'alimentation différente de celle fournie par les services publics n'est pas recommandée.

**PRISE** - Prise à trois alvéoles et mise à la terre située à un endroit où il est possible de raccorder le cordon d'alimentation de la laveuse une fois que cette dernière est installée.



**REMARQUE** Une prise GFI (disjoncteur de fuite de terre) n'est pas nécessaire.

### Exigences relatives à la mise à la terre

**⚠ AVERTISSEMENT - RISQUE DE CHOC ÉLECTRIQUE**  
- Un raccordement inadéquat du conducteur de terre de l'équipement peut accroître les risques de choc électrique. En cas de doute quant à la mise à la terre de l'appareil, consultez un électricien qualifié.

1. Cet appareil DOIT être mis à la terre. En cas de mauvais fonctionnement ou de panne, la mise à la terre diminue les risques de choc électrique en fournissant au courant électrique une trajectoire de moindre résistance.
2. Étant donné que votre laveuse est équipée d'un cordon d'alimentation pourvu d'un conducteur de mise à la terre et

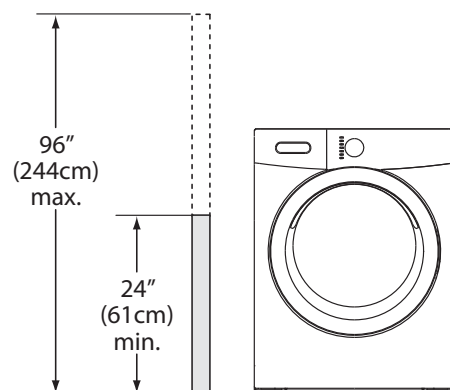
d'une fiche de mise à la terre, la fiche DOIT être raccordée à une prise appropriée (avec conducteurs en cuivre) correctement installée et mise à la terre conformément aux codes et règlements locaux ou, si aucun code local ne régit ce type d'installation, à la plus récente édition du National Electrical Code (ANSI/NFPA 70). En cas de doute, faites appel à un électricien qualifié. **NE COUPEZ PAS** et **NE MODIFIEZ PAS** la broche de mise à la terre du cordon d'alimentation. Si votre prise murale n'est pourvue que de deux fentes, il incombe au propriétaire de faire appel à un électricien qualifié pour la remplacer par une prise à trois alvéoles et mise à la terre de façon adéquate.

### Exigences relatives à l'alimentation en eau

Les robinets d'eau chaude et d'eau froide DOIVENT être installés à une distance de 107 cm (42 po) ou moins de l'arrivée d'eau de votre laveuse. Les robinets DOIVENT être de 1,9 cm (3/4 po) et filetés en fonction d'un raccordement de tuyau de laveuse. La pression de l'eau DOIT se situer entre 206,8 et 827,4 kPa (30 et 120 lb/po<sup>2</sup>). La différence de pression entre l'eau chaude et l'eau froide ne doit pas dépasser 68,9 kPa (10 lb/po<sup>2</sup>). Le service des eaux de votre localité peut vous informer sur la pression de votre alimentation en eau.

### Exigences relatives au système d'évacuation

1. Le drain doit pouvoir évacuer 64,3 L (17 gal) d'eau à la minute.
2. Tuyau d'évacuation d'au moins 3,18 cm (1-1/4 po) de diamètre.
3. Le tuyau d'évacuation doit être situé entre une hauteur minimale de 61 cm (24 po) et une hauteur maximale de 244 cm (96 po).



**REMARQUE** Le tuyau de vidange raccordé à la laveuse peut convenir à un tuyau d'évacuation de 188 cm (74 po) de hauteur. Pour des tuyaux d'évacuation plus hauts, utilisez le tuyau portant le numéro de pièce 137098000 que vous pouvez obtenir auprès d'un distributeur de pièces autorisé.

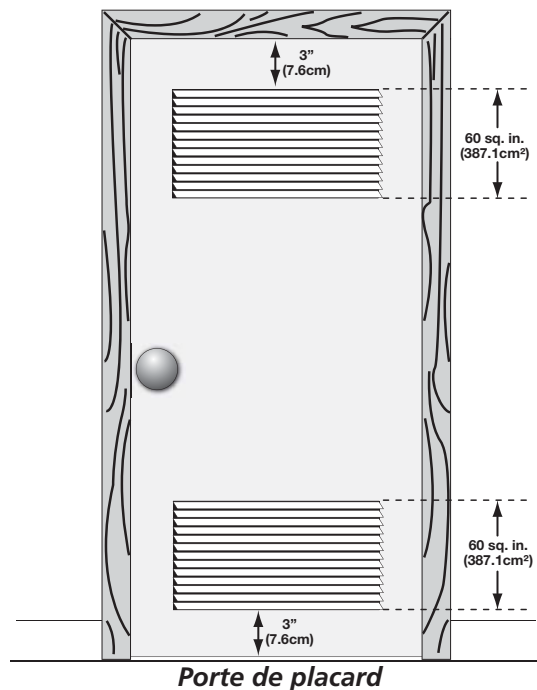
## Exigences de dégagement

### **IMPORTANT** N'INSTALLEZ PAS VOTRE LAVEUSE :

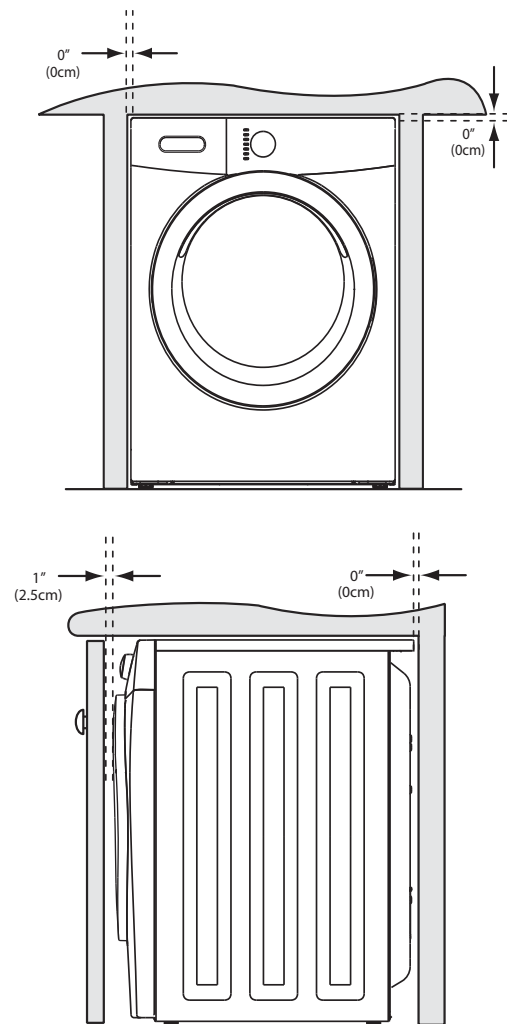
1. À un endroit exposé aux écoulements d'eau ou aux aléas des conditions météorologiques extérieures. La température ambiante ne devrait jamais tomber sous 15,6 °C (60 °F) afin d'optimiser l'efficacité du détergent.
2. À un endroit (garage ou bâtiment similaire) où de l'essence ou d'autres substances inflammables sont entreposées (incluant des automobiles).
3. Sur un tapis. Le plancher DOIT être solide et présenter une pente inférieure à 2,54 cm (1 po). Afin d'éviter les vibrations et le déplacement de l'appareil, il peut être nécessaire de renforcer le plancher.

### Installation dans un Endroit en Retrait ou une Armoire

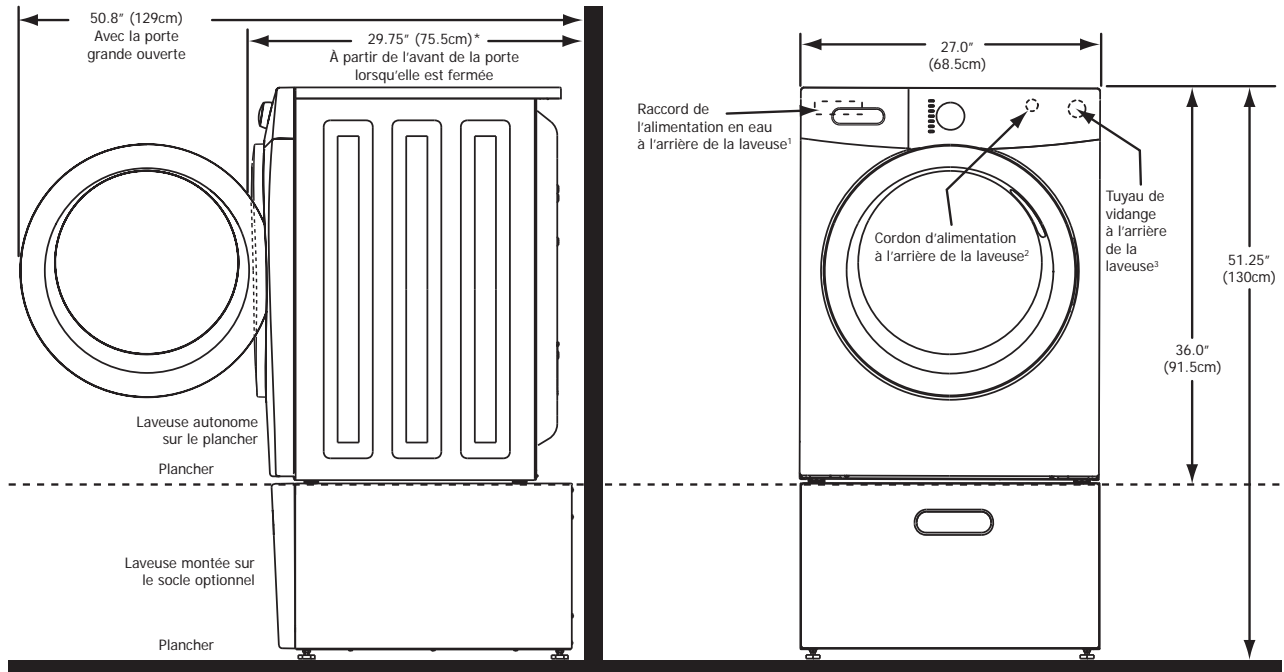
Si la laveuse et la sécheuse sont installées dans le même placard, une ventilation est requise dans la porte : Une ouverture d'au moins 774,2 cm<sup>2</sup> (120 po<sup>2</sup>), divisée également au-dessus et au-dessous de la porte, est requise. Les ouvertures à persiennes doivent être situées à 7,6 cm (3 po) du haut et du bas de la porte. Les ouvertures d'aération ne doivent pas être obstruées lorsqu'une porte est installée. Une porte à persiennes dont les ouvertures sur l'ensemble de la porte sont équivalentes aux recommandations peut être utilisée.



DÉGAGEMENTS MINIMAUX - Centimètres (pouces)				
	CÔTÉS	ARRIÈRE	DESSUS	AVANT
Alcôve	0" (0 cm)	0" (0 cm)	0" (0 cm)	n/a
Sous le comptoir	0" (0 cm)	0" (0 cm)	0" (0 cm)	1" (2.5 cm)
Placard	0" (0 cm)	0" (0 cm)	16" (40.5 cm)	1" (2.5 cm)



## Dimensions, Appareil Installé

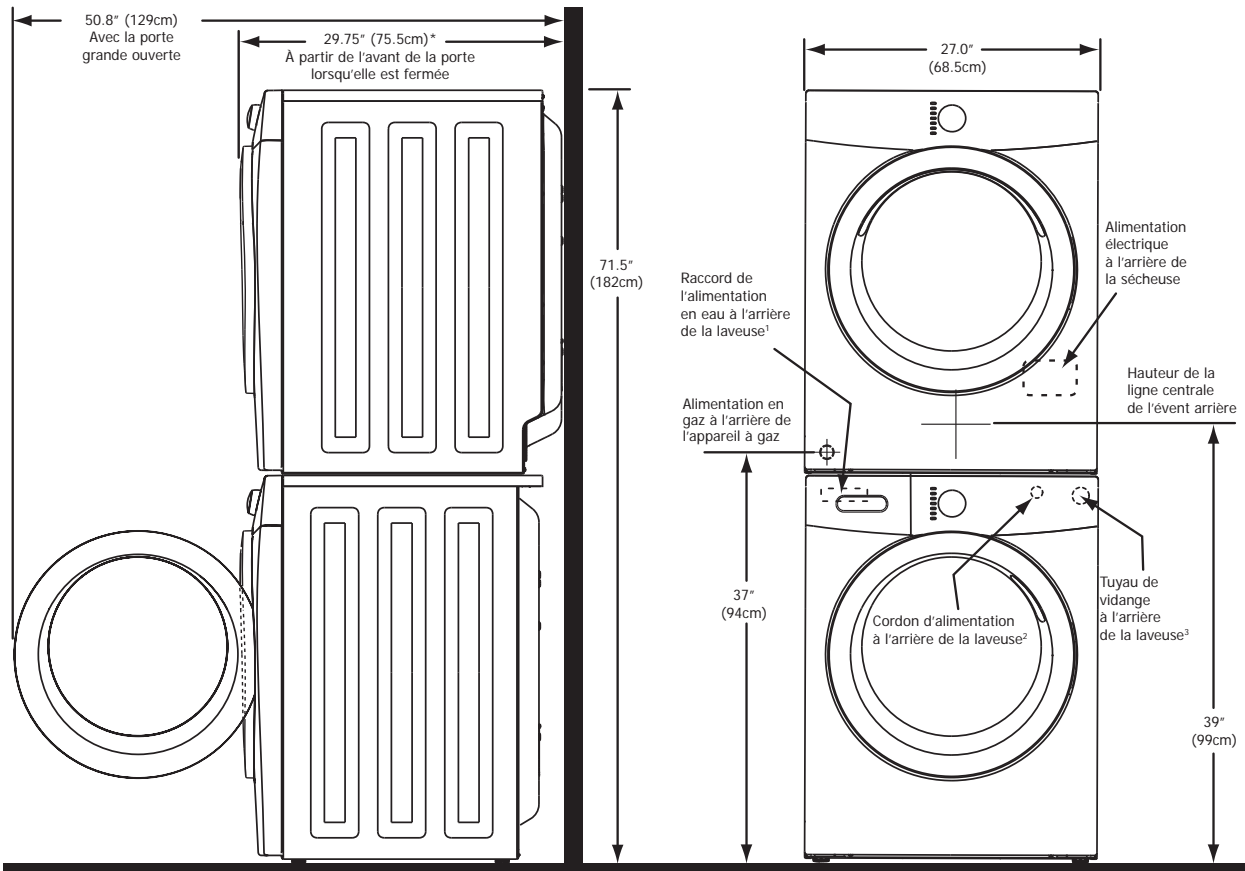


\* Pour obtenir ces dimensions de profondeur minimales, la sècheuse doit être ventilée tout droit par l'arrière. L'utilisation d'un coude à 90° à courbe immédiate (vers la droite ou vers le bas sur une sècheuse autonome) nécessite environ 2 cm (0.75 po) de profondeur de plus pour l'installation. Les sècheuses montées sur un socle ou autonomes munies d'un système d'évacuation de l'air vers le haut requièrent environ 10.2 cm (4 po) de profondeur de plus pour l'installation. Les sècheuses montées sur un socle munies d'un système d'évacuation de l'air vers le bas requièrent environ 3.75 cm (9.5 po) de profondeur de plus pour l'installation.

<sup>1</sup>Longueur des tuyaux d'entrée d'eau chaude et froide, environ 109 cm (43 po).

<sup>2</sup>Longueur du cordon d'alimentation, environ 152,5 cm (60 po).

<sup>3</sup>Longueur de tuyau de vidange, environ 132 cm (52 po).



\* Pour obtenir ces dimensions de profondeur minimales, la sècheuse doit être ventilée tout droit par l'arrière. L'utilisation d'un coude à 90° à courbe immédiate (vers la droite ou vers le bas sur une sècheuse autonome) nécessite environ 2 cm (0.75 po) de profondeur de plus pour l'installation. Les sècheuses montées sur un socle ou autonomes munies d'un système d'évacuation de l'air vers le haut requièrent environ 10.2 cm (4 po) de profondeur de plus pour l'installation. Les sècheuses montées sur un socle munies d'un système d'évacuation de l'air vers le bas requièrent environ 3.75 cm (9.5 po) de profondeur de plus pour l'installation.

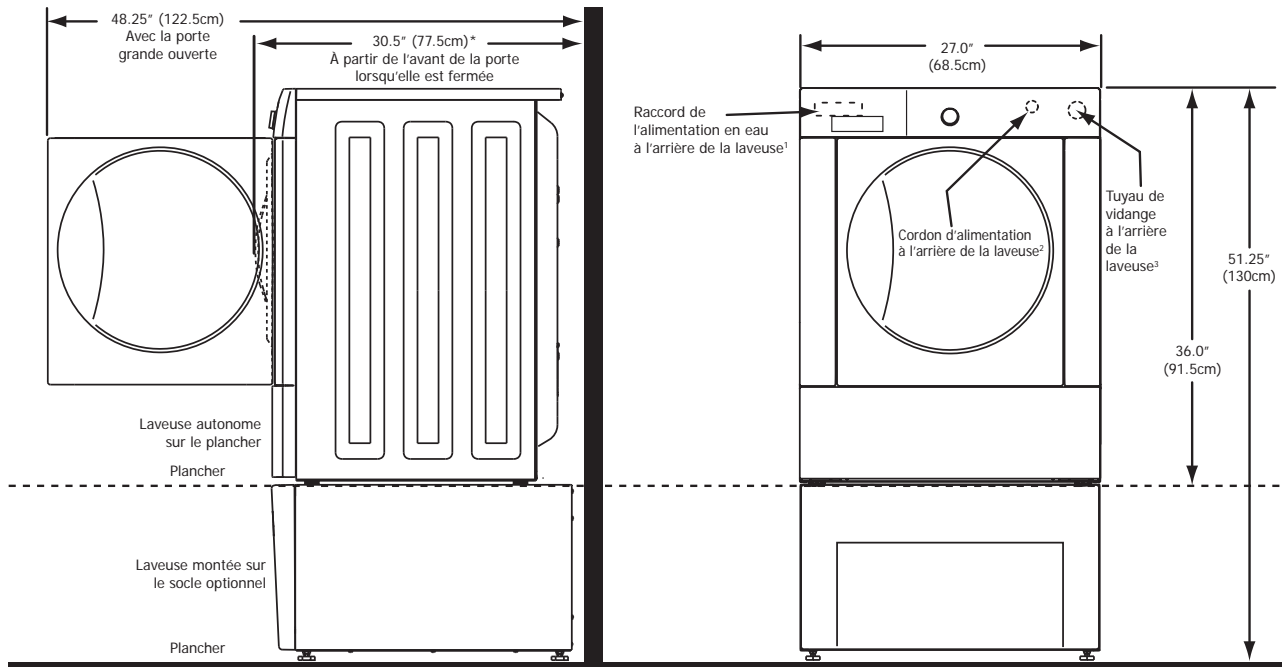
<sup>1</sup>Longueur des tuyaux d'entrée d'eau chaude et froide, environ 109 cm (43 po).

<sup>2</sup>Longueur du cordon d'alimentation, environ 152,5 cm (60 po).

<sup>3</sup>Longueur de tuyau de vidange, environ 132 cm (52 po).



## Dimensions, Appareil Installé

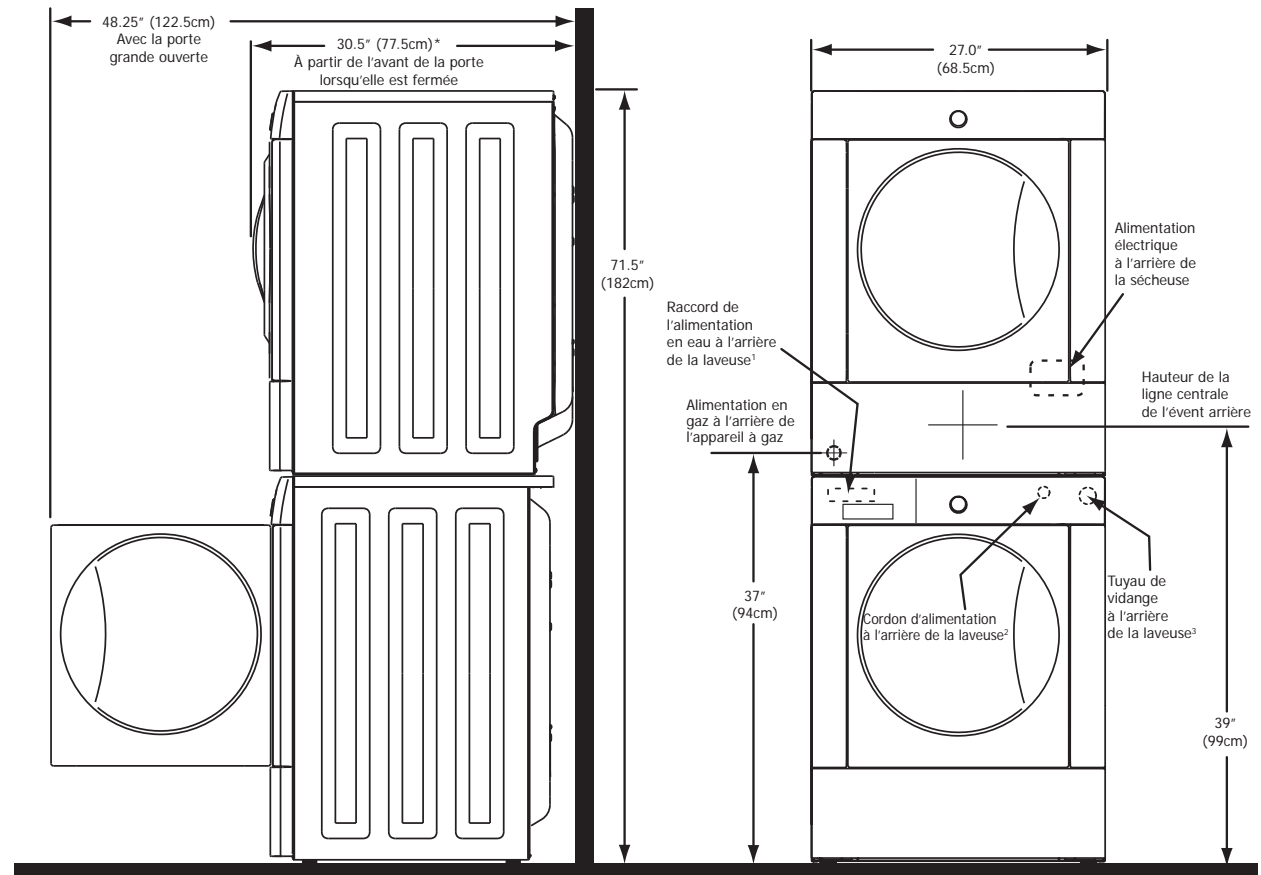


\* Pour obtenir ces dimensions de profondeur minimales, la sècheuse doit être ventilée tout droit par l'arrière. L'utilisation d'un coude à 90° à courbe immédiate (vers la droite ou vers le bas sur une sècheuse autonome) nécessite environ 2 cm (0.75 po) de profondeur de plus pour l'installation. Les sècheuses montées sur un socle ou autonomes munies d'un système d'évacuation de l'air vers le haut requièrent environ 10.2 cm (4 po) de profondeur de plus pour l'installation. Les sècheuses montées sur un socle ou autonomes munies d'un système d'évacuation de l'air vers la gauche nécessitent environ 3.75 cm (9.5 po) de profondeur de plus pour l'installation. Les sècheuses montées sur un socle munies d'un système d'évacuation de l'air vers le bas requièrent environ 5.7 cm (2.25 po) de profondeur de plus pour l'installation. Ces dimensions correspondent à une sècheuse de 0,2 m<sup>3</sup> (7 pi<sup>3</sup>). Elles peuvent varier pour une sècheuse de 0,16 m<sup>3</sup> (5,8 pi<sup>3</sup>) avec alvéoles latérales de ventilation en option.

<sup>1</sup>Longueur des tuyaux d'entrée d'eau chaude et froide, environ 109 cm (43 po).

<sup>2</sup>Longueur du cordon d'alimentation, environ 152,5 cm (60 po).

<sup>3</sup>Longueur de tuyau de vidange, environ 132 cm (52 po).



\* Pour obtenir ces dimensions de profondeur minimales, la sècheuse doit être ventilée tout droit par l'arrière. L'utilisation d'un coude à 90° à courbe immédiate (vers la droite ou vers le bas sur une sècheuse autonome) nécessite environ 2 cm (0.75 po) de profondeur de plus pour l'installation. Les sècheuses montées sur un socle ou autonomes munies d'un système d'évacuation de l'air vers le haut requièrent environ 10.2 cm (4 po) de profondeur de plus pour l'installation. Les sècheuses montées sur un socle ou autonomes munies d'un système d'évacuation de l'air vers la gauche nécessitent environ 3.75 cm (9.5 po) de profondeur de plus pour l'installation. Les sècheuses montées sur un socle munies d'un système d'évacuation de l'air vers le bas requièrent environ 5.7 cm (2.25 po) de profondeur de plus pour l'installation. Ces dimensions correspondent à une sècheuse de 0,2 m<sup>3</sup> (7 pi<sup>3</sup>). Elles peuvent varier pour une sècheuse de 0,16 m<sup>3</sup> (5,8 pi<sup>3</sup>) avec alvéoles latérales de ventilation en option.

<sup>1</sup>Longueur des tuyaux d'entrée d'eau chaude et froide, environ 109 cm (43 po).

<sup>2</sup>Longueur du cordon d'alimentation, environ 152,5 cm (60 po).

<sup>3</sup>Longueur de tuyau de vidange, environ 132 cm (52 po).

## Retrait de l'emballage en mousse

### **⚠ AVERTISSEMENT** - RISQUE D'ÉTOUFFEMENT -

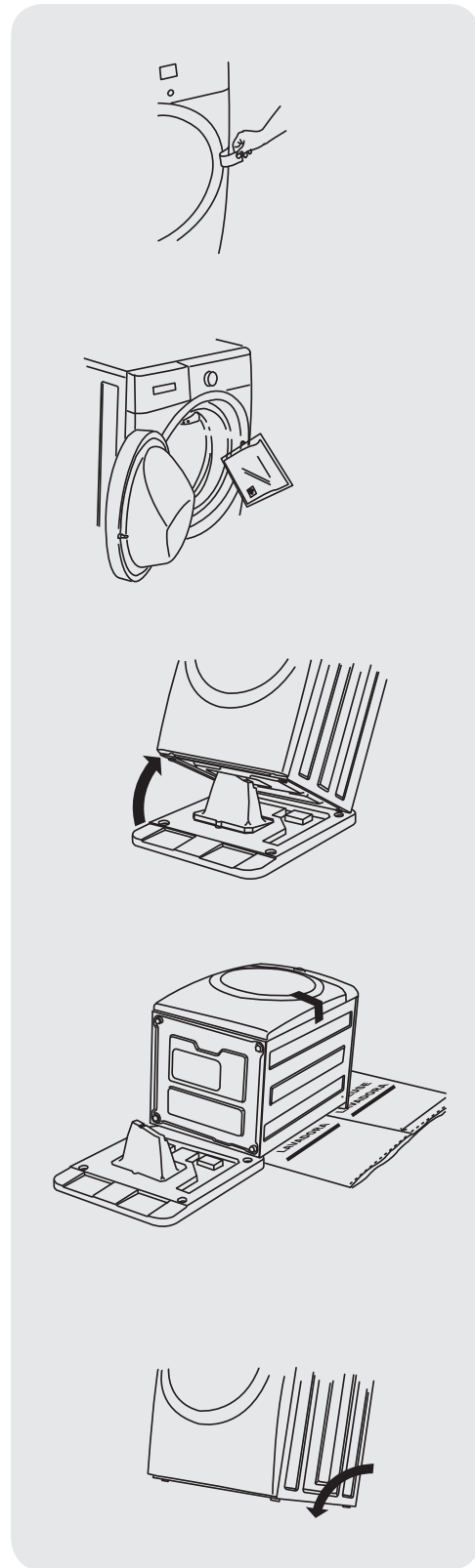
Détruisez le carton d'emballage et les sacs en plastique après avoir déballé l'appareil. Les enfants pourraient les utiliser pour jouer. Le carton recouvert de tapis, les couvertures et les feuilles de plastique peuvent être étanches à l'air et provoquer la suffocation. Déposez tous les matériaux d'emballage dans un conteneur à déchets ou faites en sorte que les enfants ne puissent y avoir accès.

1. Retirez temporairement le ruban de la porte.
2. Ouvrez la porte de la laveuse et retirez tout ce qui se trouve dans le tambour.
3. Fermez la porte et posez le ruban de porte à nouveau.
4. Pour protéger le plancher, utilisez un tapis, une couverture ou une pièce de carton et couchez la laveuse sur le côté arrière.

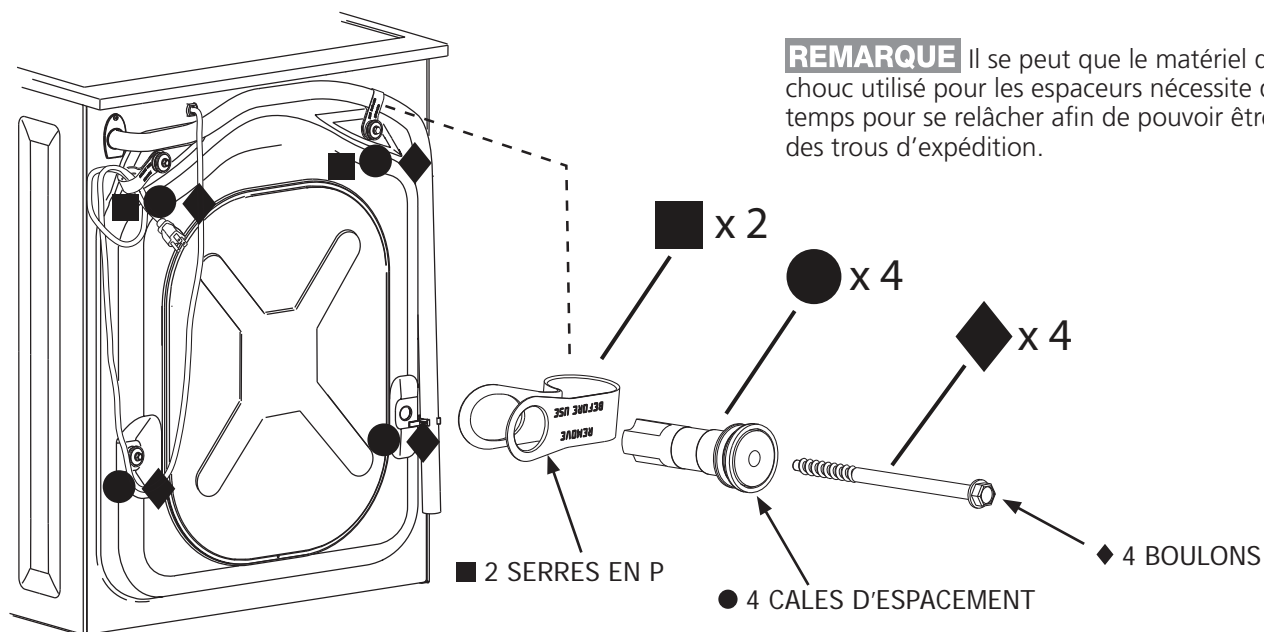
**⚠ ATTENTION** - DANGER DE POIDS EXCESSIF - Pour éviter les blessures au dos ou d'autres types de blessure, demandez l'aide d'autres personnes pour déplacer ou soulever la laveuse.

5. Retirez la base en styromousse et le bouchon d'expédition; mettez-les de côté.
6. Remettez soigneusement la laveuse en position verticale.
7. Déplacez soigneusement la laveuse à moins de 1,2 m (4 pi) de son emplacement définitif.

**IMPORTANT** Conservez la base en styromousse et le bouchon d'expédition afin d'éviter d'endommager l'appareil dans le cas d'un déplacement éventuel.



## Retrait de la quincaillerie d'expédition

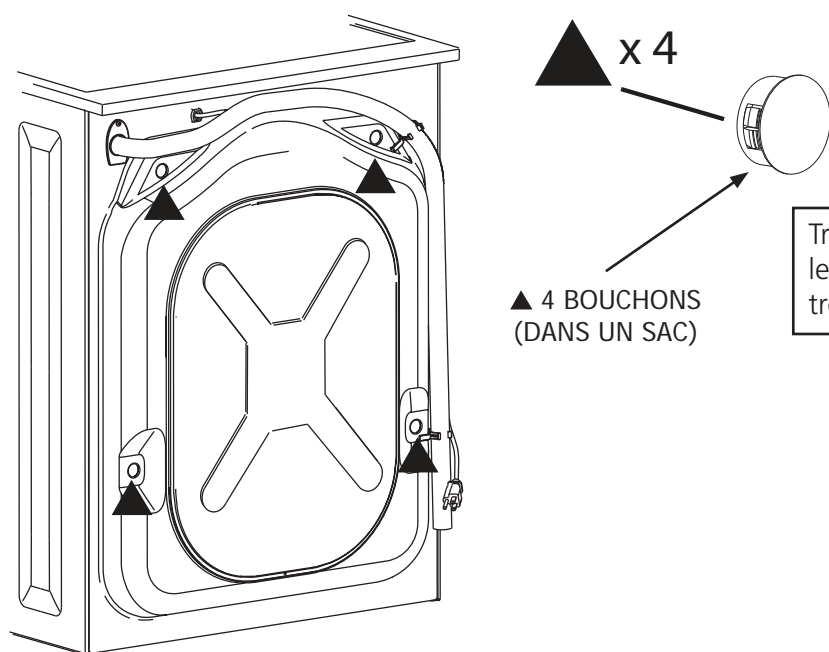


Retirez les composants suivants :

- ◆ 4 BOULONS
- 4 CALES D'ESPACEMENT
- 2 SERRES EN P

**IMPORTANT** Conservez les boulons et cales d'espaceur d'expédition pour un usage ultérieur. Si la laveuse doit être transportée plus tard, ces pièces d'expédition doivent être installées pour éviter de l'endommager.

## Pose des bouchons



Trouvez les 4 bouchons du petit sac fourni avec les guides de votre laveuse. Insérez-les dans les trous du panneau arrière de la laveuse.

## Mise à niveau de votre appareil

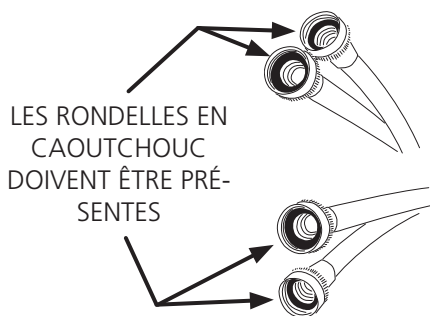
Les bruits excessifs et les vibrations peuvent être évités en mettant correctement la laveuse à niveau.

1. Pour une installation autonome où la laveuse est à moins de 1,2 m (4 pi) de son emplacement définitif, placez un niveau sur le dessus de l'appareil.
2. Utilisez la clé universelle pour ajuster les pieds de mise à niveau de façon à ce que la laveuse soit de niveau d'avant en arrière et latéralement, et qu'elle soit stable aux quatre coins.
3. Appuyez sur chaque coin et chaque côté pour déterminer les endroits qui nécessitent un réglage. Ajustez les pieds de mise à niveau appropriés de manière à ce que la laveuse repose solidement sur ses QUATRE pieds. Gardez les pieds de mise à niveau le plus près possible de la laveuse afin d'optimiser le rendement de la laveuse.

**REMARQUE** Pour une installation sur socle, reportez-vous aux instructions d'installation complémentaires incluses avec le socle.

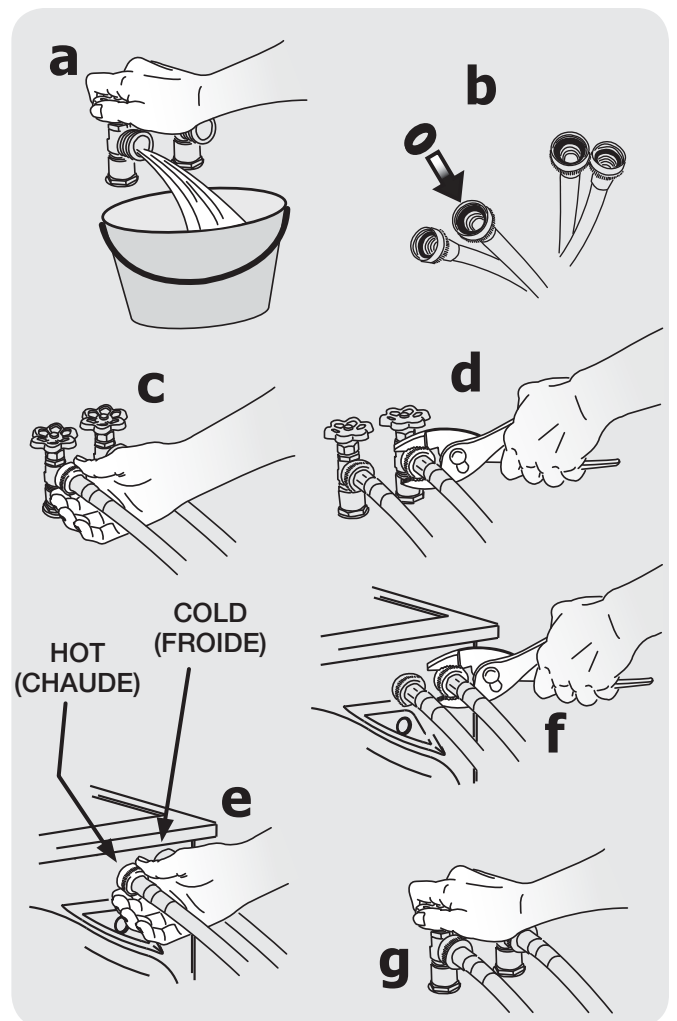
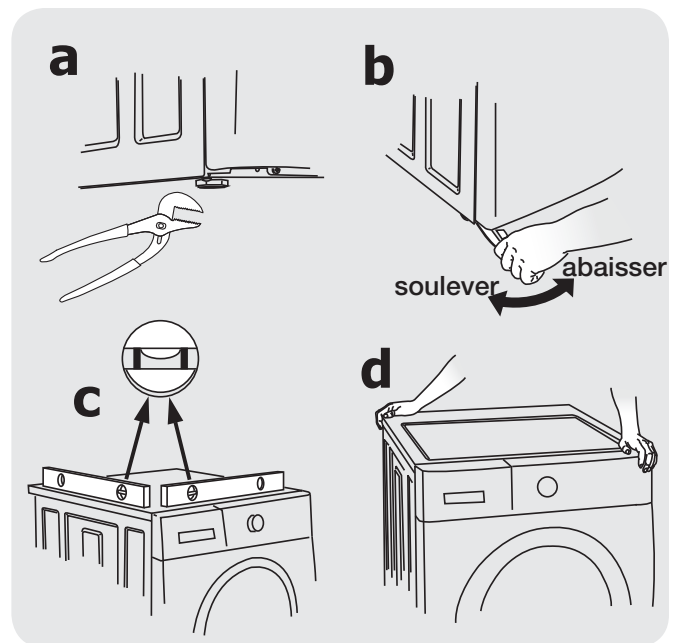
## Branchement de l'entrée d'eau

1. Faites couler de l'eau chaude et froide des robinets pour purger les tuyaux d'eau, pour éliminer toute particule qui pourrait obstruer les grillages des robinets, et pour déterminer quels robinets fournissent l'eau chaude et l'eau froide.
2. Enlevez du sac en plastique les tuyaux d'arrivée et les rondelles caoutchouc installez les rondelles à chaque extrémité.



**UTILISEZ SEULEMENT LES NOUVEAUX TUYAUX D'ENTRÉE D'EAU**

3. Raccordez le tuyau d'entrée d'eau **CHAUDE** au raccord pour l'eau **CHAUDE** de la laveuse et le tuyau d'entrée d'eau **FROIDE** au raccord pour l'eau **FROIDE** de la laveuse. Serrez fermement à la main. Avec des pinces, serrez chaque raccord de 2/3 de tour. **Ne faussez pas le filetage et ne serrez pas trop.**
4. Branchez le tuyau d'entrée d'eau **CHAUDE** au robinet d'eau **CHAUDE**, et le tuyau d'eau d'entrée d'eau **FROIDE** au robinet d'eau **FROIDE**. Serrez fermement à la main. Avec des pinces, serrez chaque raccord de 2/3 de tour.
5. Ouvrir les robinets et s'assurer qu'il n'y a pas de fuite.

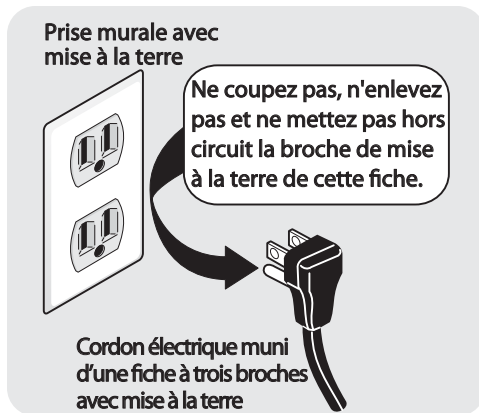


## Branchement électrique et branchement du tuyau de vidange

1. Fixez l'une des extrémités du crochet du tuyau de vidange (inclus dans la cuve) au tuyau de vidange. Continuez de l'enrouler autour du crochet et pincez-le en position.
2. Placez le côté du tuyau de vidange en forme de crochet dans l'ouverture du tuyau d'évacuation. Fixez le tuyau de vidange au moyen d'une attache (incluse dans la trousse d'installation fournie) au tuyau d'évacuation, au tuyau d'entrée, à la cuve à lessive, etc. de façon à ce que le tuyau ne puisse être arraché sous la force de l'eau.

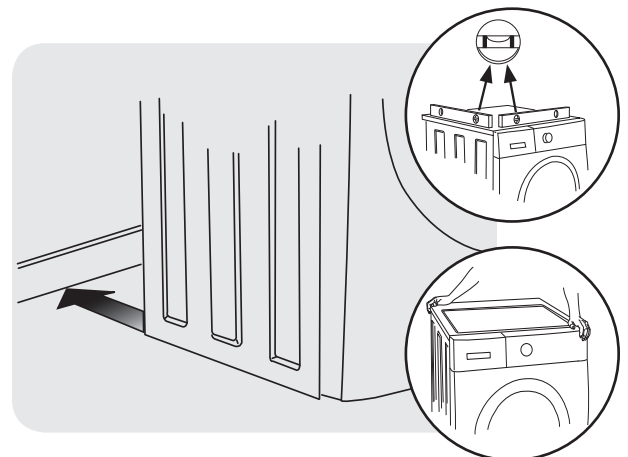
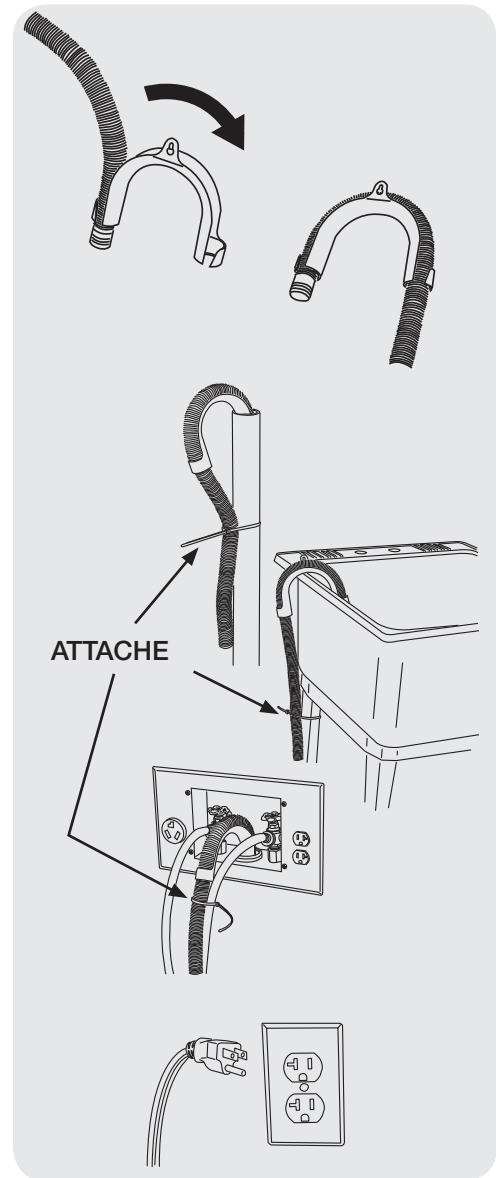
**IMPORTANT** Assurez-vous que l'alimentation électrique est coupée au disjoncteur ou au boîtier de fusibles avant de brancher le cordon d'alimentation dans une prise électrique.

3. Branchez le cordon d'alimentation à la prise électrique mise à la terre.



4. Ouvrez l'alimentation électrique au disjoncteur ou au boîtier de fusibles.
5. Faites glisser soigneusement la laveuse à son emplacement définitif. Vérifiez à nouveau la stabilité de l'appareil. Retirez et jetez le ruban de la porte.
6. Reportez-vous au Guide d'utilisation et d'entretien fourni avec la laveuse. Il contient des renseignements très utiles qui vous permettent d'économiser temps et argent.
7. Pour toute question relative à l'utilisation initiale, veuillez revoir la section intitulée « Liste de vérification avant service » de votre Guide d'utilisation et d'entretien avant d'effectuer une demande de service.
8. Laissez ces instructions à proximité de la laveuse pour vous y reporter ultérieurement.

**REMARQUE** Un schéma électrique et une fiche technique sont situés sous le panneau supérieur de la laveuse, au-dessus du logement de distributeur de détergent.



## Accessoires

**⚠ ATTENTION** Tout défaut d'utiliser les accessoires fabriqués ou certifiés par le fabricant pourrait entraîner des blessures, des dommages aux biens ou à la laveuse.

### NÉCESSAIRE DE SUPERPOSITION DE SÉCHEUSE

PIÈCE N° 134700600

Selon le modèle que vous avez acheté, il se peut qu'un nécessaire pour superposer cette sècheuse sur une laveuse assortie ait été inclus dans l'achat initial de votre sècheuse. Si votre modèle ne comprenait pas de nécessaire de superposition ou que vous en désirez un autre, il vous est possible d'en commander un.

### NÉCESSAIRE DE RALLONGE DE TUYAU DE VIDANGE

PIÈCE N° 137098000

Pour atteindre un tuyau d'évacuation qui est trop haut ou trop loin pour la longueur de tuyau fournie, commandez le NÉCESSAIRE DE RALLONGE DE TUYAU DE VIDANGE.

### TROUSSE D'INSTALLATION DE MAISON MOBILE

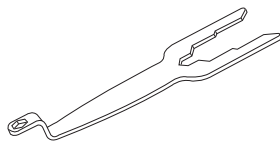
PIÈCE N° 137067200

Toute installation dans une maison mobile nécessite l'utilisation d'une TROUSSE D'INSTALLATION DE MAISON MOBILE.

### CLÉ D'APPAREIL UNIVERSELLE

PIÈCE N° 137019200

UNE CLÉ D'APPAREIL UNIVERSELLE est offerte pour faciliter le réglage des pieds de sècheuse/laveuse/socle.



### CRAYONS DE PEINTURE DE RETOUCHE\*

Crayon de retouche Blanc - PIÈCE N° 5304468812

Crayon de retouche Noir - PIÈCE N° 5304458932

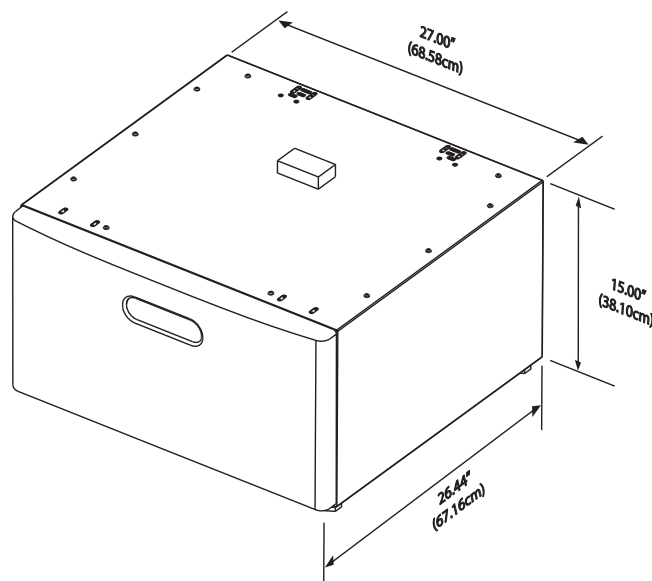
Crayon de retouche Argentés - PIÈCE N° P/N 5304471228



\*Il se peut que d'autres couleurs soient disponibles. Communiquez avec le marchand qui vous a vendu votre laveuse.

## SOCLE DE RANGEMENT ASSORTI

Consultez le tableau ci-dessous pour le style, la couleur et le numéro de pièce.

Un socle de rangement, conçu expressément pour cette laveuse, peut être utilisé afin de soulever votre appareil, facilitant ainsi son utilisation. Le socle ajoute environ 38 cm (15 po) à votre laveuse, pour une hauteur totale de 130 cm (51.25 po).



	Ce type de laveuse :	Ce type de laveuse :
Couleur du socle*		
Blanc	NLPWD15 or 48062	APWD15 or 46262
Noir	NLPWD15E or 48066	APWD15E
Argentés	NLPWD15A or 46267	N/A

\*Les couleurs ne sont pas toutes disponibles pour les socles de ces modèles. Il se peut que d'autres couleurs non mentionnées ci-dessus soient disponibles. Communiquez avec le marchand qui vous a vendu votre laveuse.

## Pièces de rechange:

Si vous devez commander des pièces de rechange pour votre laveuse, communiquez avec le marchand qui vous a vendu votre appareil.

**⚠ AVERTISSEMENT - RISQUE ÉLECTRIQUE** - Étiquetez tous les fils avant de les débrancher pendant l'entretien des commandes. Des erreurs de câblage pourraient nuire au bon fonctionnement de l'appareil, et même être dangereuses. Vérifiez le bon fonctionnement de l'appareil après tout entretien.

---

**REMARQUES**

---

---