



---

# COMMERCIAL STYLE GAS COOKTOP

## Use & Care Guide

For questions about features, operation/performance, parts, accessories or service, call: **1-800-422-1230** or visit our website at [www.kitchenaid.com](http://www.kitchenaid.com)

In Canada, for assistance, installation and service, call: **1-800-807-6777** or visit our website at [www.Kitchenaid.ca](http://www.Kitchenaid.ca)

---

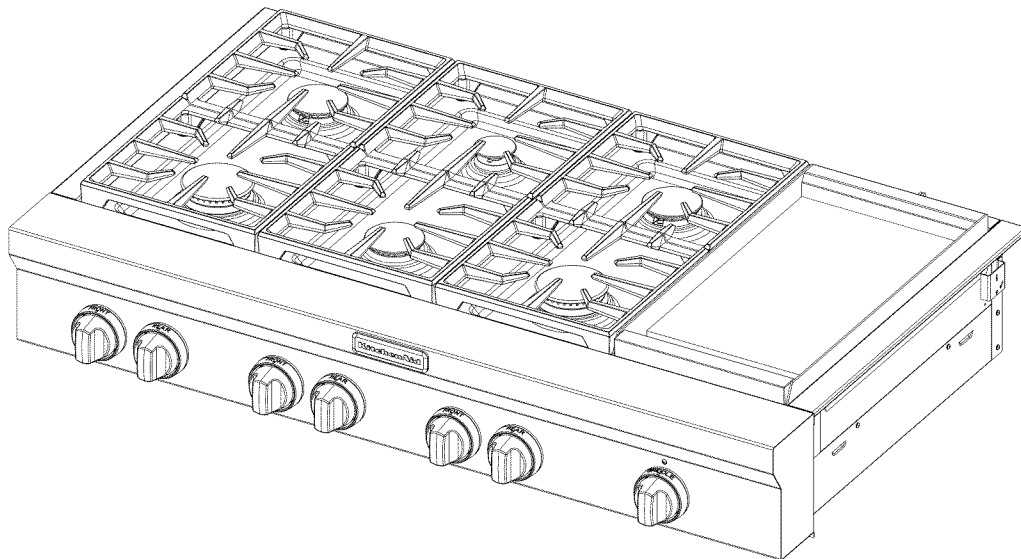
# TABLE DE CUISSON À GAZ DE STYLE COMMERCIAL

## Guide d'utilisation et d'entretien

Au Canada, pour assistance, installation ou service, composez le **1-800-807-6777** ou visitez notre site web à [www.kitchenaid.ca](http://www.kitchenaid.ca)

---

Table of Contents/Table des matières..... 2



Models/Modèles **KGCU407 KGCU62 KGCU463 KGCU467 KGCU482 KGCU483 KGCU484**

W10190547A

# TABLE OF CONTENTS

**COOKTOP SAFETY** .....2  
**PARTS AND FEATURES** .....4  
**COOKTOP USE** .....7  
 Cooktop Controls .....7  
 Cooktop Surface .....8  
 Sealed Surface Burners .....8  
 SureSear™ Grill .....9  
 Even-Heat™ Electric Chrome Griddle .....11  
 Cookware .....12  
 Home Canning .....12  
**COOKTOP CARE** .....12  
 General Cleaning .....12  
**TROUBLESHOOTING** .....13  
**ASSISTANCE OR SERVICE** .....14  
 In the U.S.A. ....14  
 Accessories .....14  
 In Canada .....15  
**WARRANTY** .....15

# TABLE DES MATIÈRES

**SÉCURITÉ DE LA TABLE DE CUISSON** .....17  
**PIÈCES ET CARACTÉRISTIQUES** .....19  
**UTILISATION DE LA TABLE DE CUISSON** .....22  
 Commandes de la table de cuisson .....22  
 Surface de la table de cuisson .....23  
 Brûleurs de surface scellés .....23  
 Gril SureSear™ .....24  
 Plaque à frire chromée électrique Even-Heat™ .....26  
 Ustensiles de cuisson .....27  
 Préparation de conserves à la maison .....28  
**ENTRETIEN DE LA TABLE DE CUISSON** .....28  
 Nettoyage général .....28  
**DÉPANNAGE** .....29  
**ASSISTANCE OU SERVICE** .....30  
 Accessoires .....30  
**GARANTIE** .....31

## COOKTOP SAFETY

### Your safety and the safety of others are very important.

We have provided many important safety messages in this manual and on your appliance. Always read and obey all safety messages.



This is the safety alert symbol.

This symbol alerts you to potential hazards that can kill or hurt you and others.

All safety messages will follow the safety alert symbol and either the word “DANGER” or “WARNING.”

These words mean:

**⚠ DANGER**

You can be killed or seriously injured if you don't immediately follow instructions.

**⚠ WARNING**

You can be killed or seriously injured if you don't follow instructions.

All safety messages will tell you what the potential hazard is, tell you how to reduce the chance of injury, and tell you what can happen if the instructions are not followed.

**WARNING:** If the information in this manual is not followed exactly, a fire or explosion may result causing property damage, personal injury or death.

- Do not store or use gasoline or other flammable vapors and liquids in the vicinity of this or any other appliance.
- **WHAT TO DO IF YOU SMELL GAS:**
  - Do not try to light any appliance.
  - Do not touch any electrical switch.
  - Do not use any phone in your building.
  - Immediately call your gas supplier from a neighbor's phone. Follow the gas supplier's instructions.
  - If you cannot reach your gas supplier, call the fire department.
- Installation and service must be performed by a qualified installer, service agency or the gas supplier.

**WARNING:** Gas leaks cannot always be detected by smell.

Gas suppliers recommend that you use a gas detector approved by UL or CSA.

For more information, contact your gas supplier.

If a gas leak is detected, follow the "What to do if you smell gas" instructions.

## IMPORTANT SAFETY INSTRUCTIONS

**WARNING:** To reduce the risk of fire, electrical shock, injury to persons, or damage when using the cooktop, follow basic precautions, including the following:

- **WARNING:** NEVER use this appliance as a space heater to heat or warm the room. Doing so may result in carbon monoxide poisoning and overheating of the cooktop.
- **CAUTION:** Do not store items of interest to children in cabinets above the cooktop – children climbing on the cooktop to reach items could be seriously injured.
- Proper Installation – The cooktop, when installed, must be electrically grounded in accordance with local codes or, in the absence of local codes, with the *National Electrical Code, ANSI/NFPA70* or the *Canadian Electrical Code, Part 1*. Be sure the cooktop is properly installed and grounded by a qualified technician.
- This cooktop is equipped with a three-prong grounding plug for your protection against shock hazard and should be plugged directly into a properly grounded receptacle. Do not cut or remove the grounding prong from this plug.
- Disconnect the electrical supply before servicing the cooktop.
- Injuries may result from the misuse of the cooktop such as stepping, leaning, or sitting on the top surface.
- Maintenance – Keep cooktop area clear and free from combustible materials, gasoline, and other flammable vapors and liquids.
- Storage on the cooktop – Flammable materials should not be stored on or near surface units.
- Top burner flame size should be adjusted so it does not extend beyond the edge of the cooking utensil.

## SAVE THESE INSTRUCTIONS

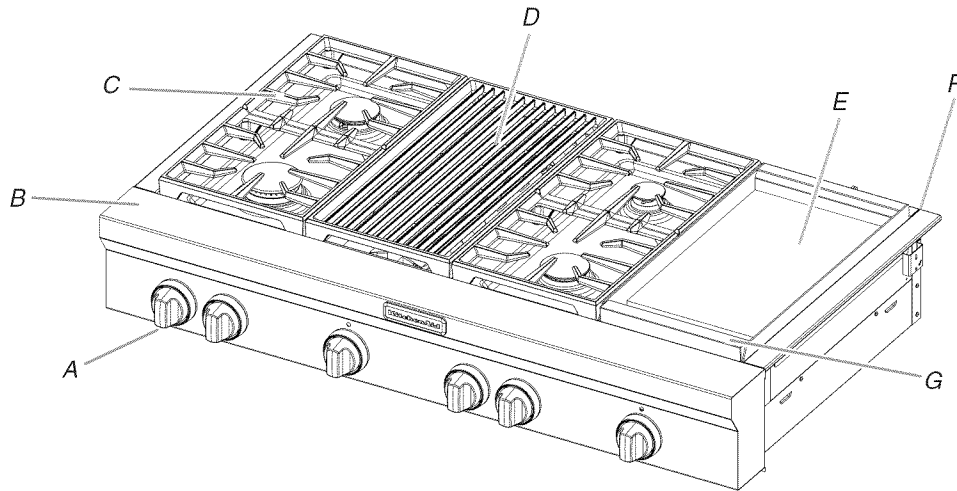
State of California Proposition 65 Warnings:

WARNING: This product contains a chemical known to the State of California to cause cancer.

WARNING: This product contains a chemical known to the State of California to cause birth defects or other reproductive harm.

# PARTS AND FEATURES

This manual covers several different models. The cooktop you have purchased may have some or all of the items listed. The locations and appearances of the features shown here may not match those of your model.



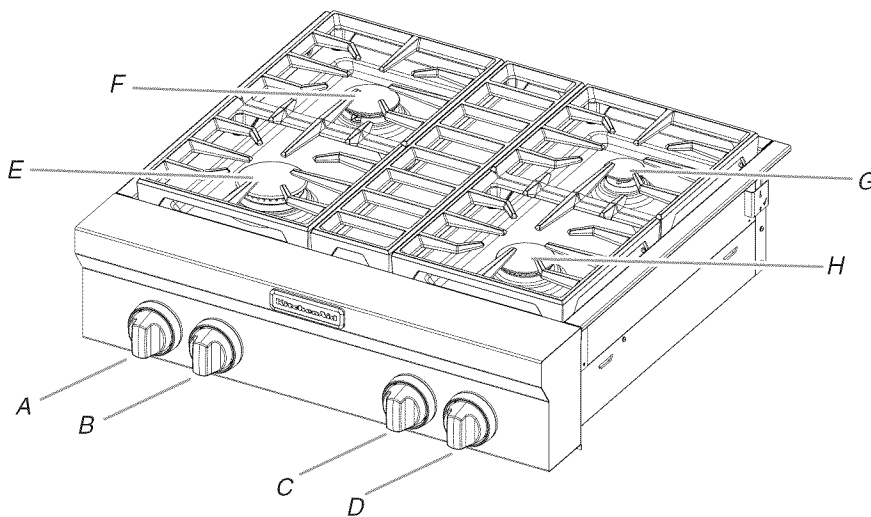
- A. Commercial style die cast metal control knobs
- B. Culinary ledge
- C. Heavy-duty single grate design
- D. SureSear™ grill (on some models)
- E. Even-Heat™ electric chrome griddle (on some models)
- F. Island trim
- G. Drip tray (on griddle models)

**Not shown:**

- Optional 9" (22.9 cm), 22" (55.9 cm) and adjustable backguards
- Optional griddle cover
- Optional grill cover
- Optional wok ring
- Optional stainless steel knobs

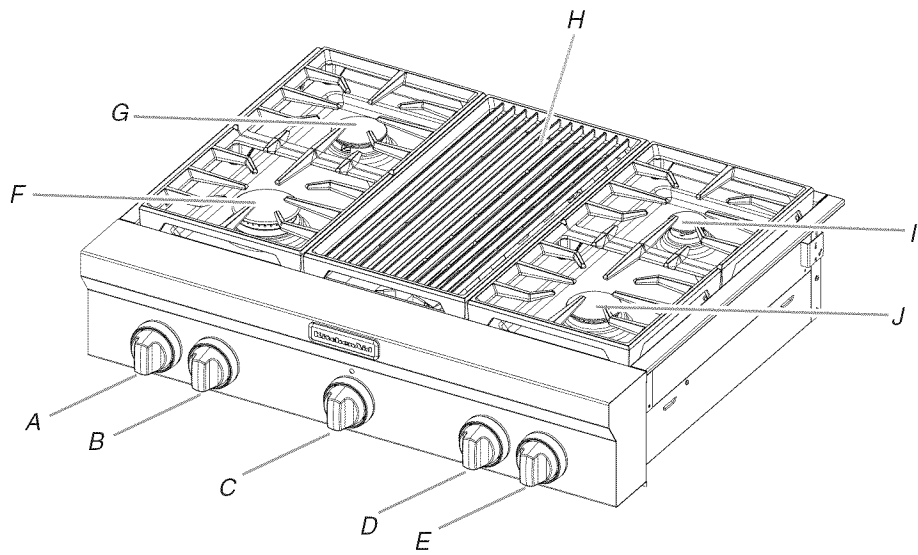
## Control Panels

### KGCU407



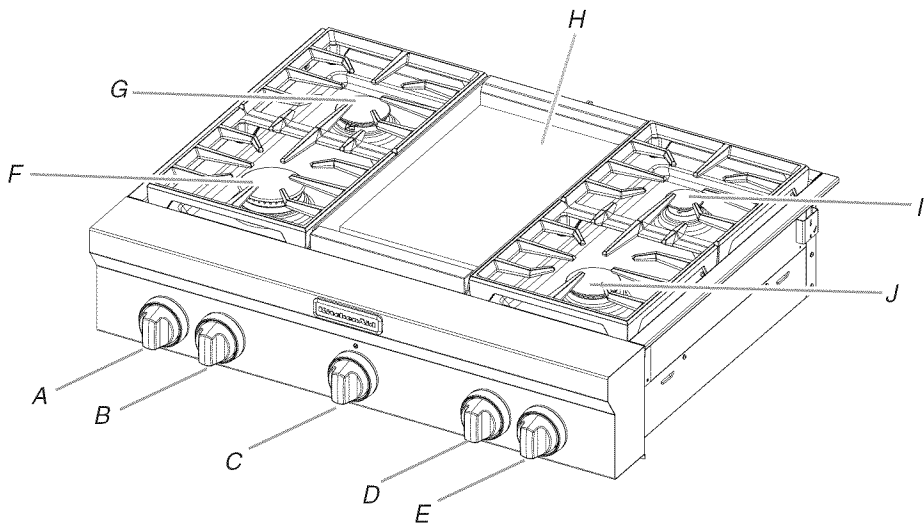
- A. Left rear control knob
- B. Left front control knob
- C. Right rear control knob
- D. Right front control knob
- E. 20,000 Btu/h burner
- F. 15,000 Btu/h burner
- G. 5,000 Btu/h burner
- H. 15,000 Btu/h burner

**KGCU462**



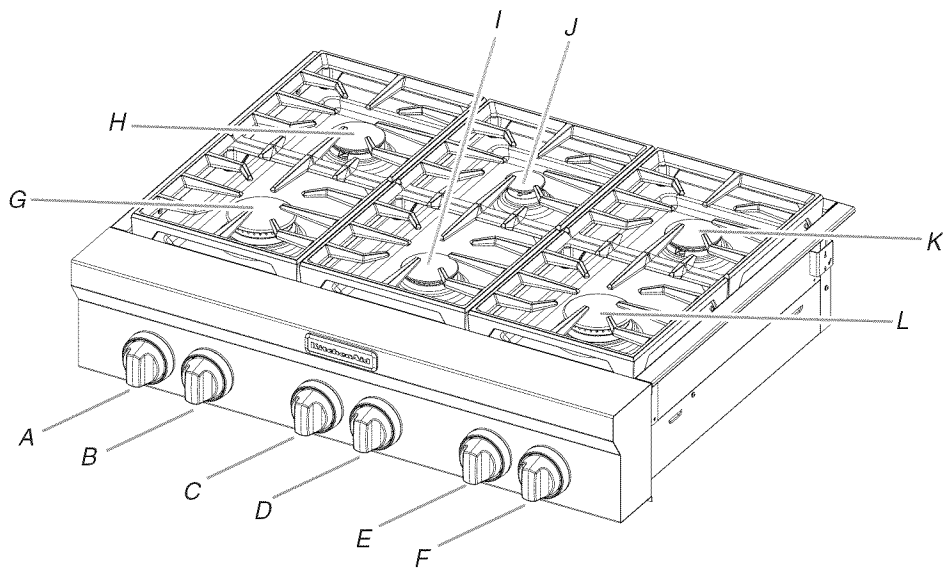
- A. Left rear control knob
- B. Left front control knob
- C. Grill control knob
- D. Right rear control knob
- E. Right front control knob
- F. 20,000 Btu/h burner
- G. 15,000 Btu/h burner
- H. SureSear™ grill
- I. 5,000 Btu/h burner
- J. 15,000 Btu/h burner

**KGCU463**



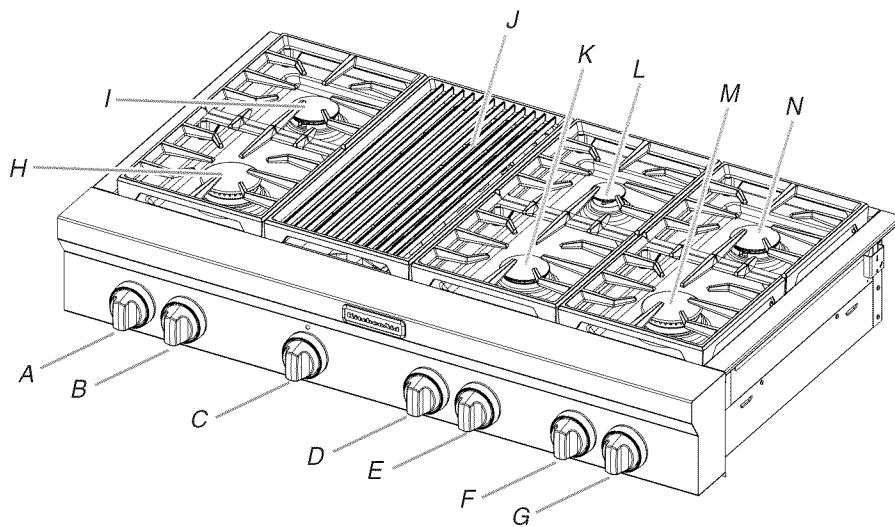
- A. Left rear control knob
- B. Left front control knob
- C. Griddle control knob
- D. Right rear control knob
- E. Right front control knob
- F. 20,000 Btu/h burner
- G. 15,000 Btu/h burner
- H. Even-Heat™ electric chrome griddle
- I. 5,000 Btu/h burner
- J. 15,000 Btu/h burner

**KGCU467**



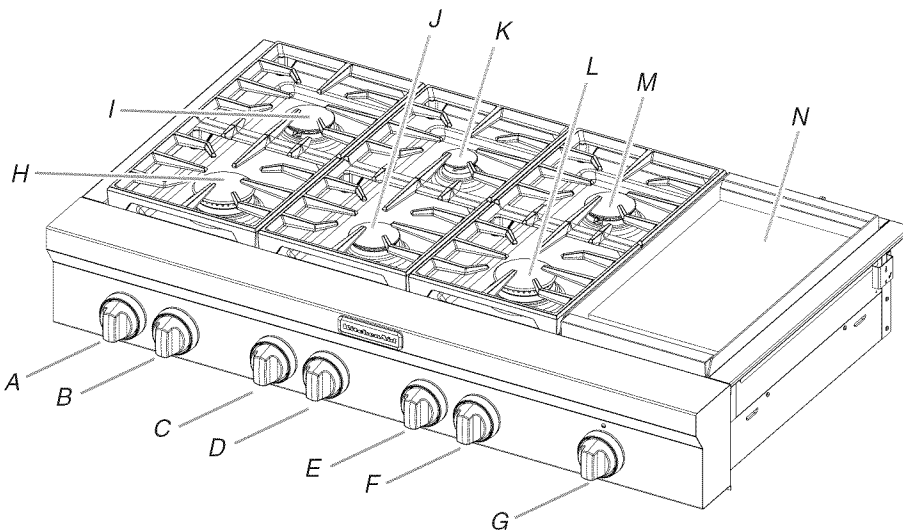
- A. Left rear control knob
- B. Left front control knob
- C. Center rear control knob
- D. Center front control knob
- E. Right rear control knob
- F. Right front control knob
- G. 20,000 Btu/h burner
- H. 15,000 Btu/h burner
- I. 15,000 Btu/h burner
- J. 5,000 Btu/h burner
- K. 15,000 Btu/h burner
- L. 20,000 Btu/h burner

**KGCU482**



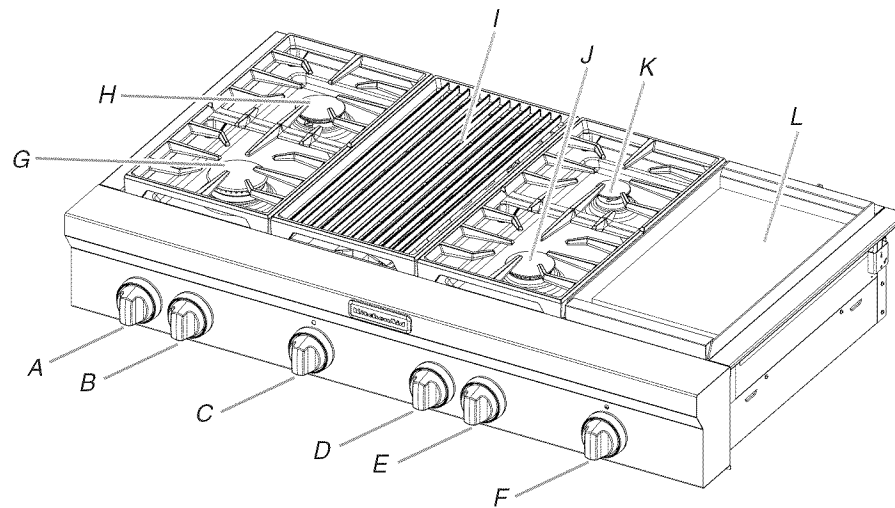
- A. Left rear control knob
- B. Left front control knob
- C. Grill control knob
- D. Center rear control knob
- E. Center front control knob
- F. Right rear control knob
- G. Right front control knob
- H. 20,000 Btu/h
- I. 15,000 Btu/h
- J. SureSear™ grill
- K. 15,000 Btu/h
- L. 5,000 Btu/h
- M. 20,000 Btu/h
- N. 15,000 Btu/h

**KGCU483**



- A. Left rear control knob
- B. Left front control knob
- C. Center rear control knob
- D. Center front control knob
- E. Right rear control knob
- F. Right front control knob
- G. Griddle control knob
- H. 20,000 Btu/h
- I. 15,000 Btu/h
- J. 15,000 Btu/h
- K. 5,000 Btu/h
- L. 20,000 Btu/h
- M. 15,000 Btu/h
- N. Even-Heat™ electric chrome griddle

**KGCU484**



- A. Left rear control knob
- B. Left front control knob
- C. Grill control knob
- D. Right rear control knob
- E. Right front control knob
- F. Griddle control knob
- G. 20,000 Btu/h
- H. 15,000 Btu/h
- I. SureSear™ grill
- J. 15,000 Btu/h
- K. 5,000 Btu/h
- L. Even-Heat™ electric chrome griddle

# COOKTOP USE

## Cooktop Controls

### **WARNING**



#### Fire Hazard

Do not let the burner flame extend beyond the edge of the pan.

Turn off all controls when not cooking.

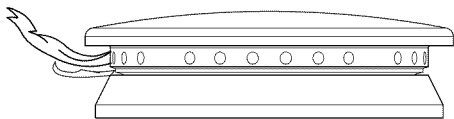
Failure to follow these instructions can result in death or fire.

**IMPORTANT:** Your cooktop is factory-set for use with Natural gas. If you wish to use LP gas, an LP Gas Conversion Kit is included with your new range. See the instructions included in the Installation Instructions for details on making this conversion.

Electric igniters automatically light the surface burners when control knobs are turned to LITE.

Three different sizes of burners are provided, 20,000 Btu/h [British Thermal Units], 15,000 Btu/h, and 5,000 Btu/h.

The 20,000 Btu/h Ultra Power™ dual-flame burner has an upper and lower level of flame.



The Power Hi setting uses both flame levels at full power to provide the highest heat and is ideal for cooking large quantities of food or liquid, and using large pots and pans. The Simmer Hi and Lo settings use the lower flame only and allow for accurate simmer control and cooking of smaller quantities of food.

The 5,000 Btu/h burner reaches a low of 500 Btu/h, and is ideal for cooking smaller quantities of food and melting chocolate or butter.

Before setting a control knob, place filled cookware on the grate. Do not operate a burner using empty cookware or without any cookware on the grate.

**NOTE:** Visually check that the burner has lit. If the burner does not ignite, listen for the clicking sound. If you do not hear the igniter click, turn off the burner. Check for a tripped circuit breaker or blown fuse.

Check that the control knob is pressed completely down on the valve shaft. If the spark igniter still does not operate, call a trained repair specialist.

Proper grounding and polarity are necessary for correct operation of the electric ignition system. If the wall receptacle or junction box does not provide correct polarity, the igniter will become grounded and occasionally click, even after the burner has ignited. Contact a trained repair specialist to check the wall receptacle or junction box to see whether it is wired with the correct polarity.

#### To Set:

1. Push in and turn knob counterclockwise to LITE.  
All surface burners will click. Only the burner with the control knob turned to LITE will produce a flame.
2. Turn knob counterclockwise to anywhere between HI and LO. Push in one more time to get from LO to Simmer HI.

Use the following charts as a guide when setting heat levels.

#### 20,000 Btu/h Ultra Power™ Dual-Flame Burner

SETTING	RECOMMENDED USE
LITE (Light)	■ Light the burner.
HI (High)	■ Start food cooking. ■ Bring liquid to a boil. ■ Preheat skillets/pans. ■ Quickly brown or sear food.
MED (Medium)	■ Fry or sauté foods. ■ Hold a boil.
LO (Low)	■ Cook soups, sauces and gravies.
Simmer HI (High)	■ Start cooking thicker foods such as tomato sauce, chili, etc.
Simmer LO (Low)	■ Hold a gentle simmer.

#### Simmer Burner Settings

##### To Set:

1. Push in and turn knob counterclockwise to LITE.  
All surface burners will click. Only the burner with the control knob turned to LITE will produce a flame.
2. Turn knob counterclockwise to anywhere between HI and LO. Use the following chart as a guide when setting heat levels.

#### 15,000 Btu/h Professional Burner

SETTING	RECOMMENDED USE
LITE (Light)	■ Light the burner.
HI (High)	■ Start food cooking. ■ Bring liquid to a boil. ■ Preheat skillets/pans. ■ Quickly brown or sear food.
MED (Medium)	■ Fry or sauté foods. ■ Hold a boil.
LO (Low)	■ Cook soups, sauces and gravies. ■ Stew or steam foods.

## 5,000 Btu/h Simmer/Melt Burner

SETTING	RECOMMENDED USE
LITE (Light)	<ul style="list-style-type: none"> <li>Light the burner.</li> </ul>
HI (High)	<ul style="list-style-type: none"> <li>Cook soups, sauces and gravies.</li> <li>Stew or steam foods.</li> </ul>
LO (Low)	<ul style="list-style-type: none"> <li>Melt chocolate or butter.</li> </ul>

**REMEMBER:** When range is in use or (on some models) during the Self-Cleaning cycle, the entire cooktop area may become hot.

### Power Failure

In case of prolonged power failure, the surface burners can be lit manually. Hold a lit match near a burner and turn knob counterclockwise to HI. After burner lights, turn knob to setting.

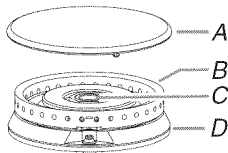
## Cooktop Surface

Wiping off the cooktop, grates and caps after each use will help keep it free from stains.

Food spills containing acids, such as vinegar and tomato, should be cleaned as soon as the entire appliance is cool. These spills may affect the finish.

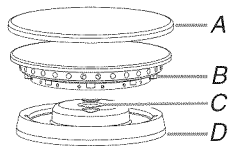
For more information, see the "Sealed Surface Burners" and "General Cleaning" sections.

## Sealed Surface Burners



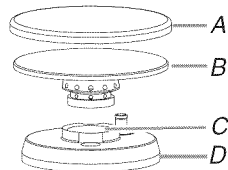
### 20,000 Btu/h Ultra Power™ Dual-Flame Burner

- A. Burner cap
- B. Burner head
- C. Gas opening
- D. Burner base



### 15,000 Btu/h Professional Burner

- A. Burner cap
- B. Burner head
- C. Gas opening
- D. Burner base



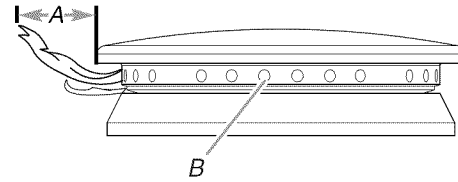
### 5,000 Btu/h Simmer/Melt Burner

- A. Burner cap
- B. Burner head
- C. Gas opening
- D. Burner base

**IMPORTANT:** Do not obstruct the flow of combustion and ventilation air around the burner grate edges.

**Burner cap:** Always keep the burner cap in place when using a surface burner. A clean burner cap will help avoid poor ignition and uneven flames. Always clean the burner cap after a spillover and routinely remove and clean the caps according to the "General Cleaning" section.

**Gas opening:** Gas must flow freely throughout the gas opening for the burner to light properly. Keep this area free of soil and do not allow spills, food, cleaning agents or any other material to enter the gas opening. Keep spillovers out of the gas opening by always using a burner cap.



A. 1-1½" (25-38 mm)

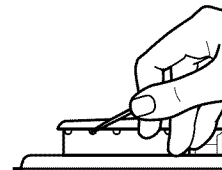
B. Burner ports

**Burner ports:** Check burner flames occasionally for proper size and shape as shown above. A good flame is blue in color, not yellow. Keep this area free of soil and do not allow spills, food, cleaning agents or any other material to enter the burner ports.

### To Clean:

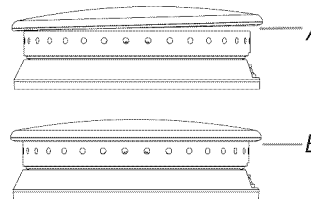
**IMPORTANT:** Before cleaning, make sure all controls are off and the oven and cooktop are cool. Do not use oven cleaners, bleach or rust removers.

1. Remove the burner cap and burner head (15,000 and 5,000 Btu/h burners) from the burner base and clean according to "General Cleaning" section.
2. Clean the gas opening with a damp cloth.
3. Clean clogged burner ports with a straight pin as shown. Do not enlarge or distort the port. Do not use a wooden toothpick. If the burner needs to be adjusted, contact a trained repair specialist.



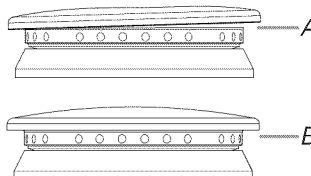
4. Replace the burner cap, making sure the alignment pins are properly aligned with the burner cap.

### 20,000 Btu/h Ultra Power™ Dual-Flame Burner



A. Incorrect  
B. Correct

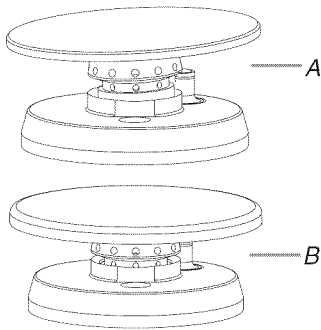
### 15,000 Btu/h Professional Burner



A. Incorrect  
B. Correct



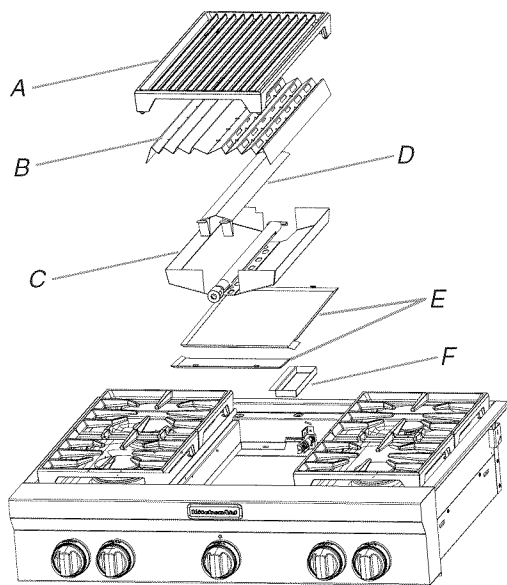
**5,000 Btu/h Simmer/Melt Burner**



A. Incorrect  
B. Correct

- Turn on the burner. If the burner does not light, check cap alignment. If the burner still does not light, do not service the sealed burner yourself. Contact a trained repair specialist.

**SureSear™ Grill**  
(on some models)



A. Grill grate  
B. Wave tray  
C. Burner assembly  
D. Flame spreader  
E. Grease trays  
F. Drip tray

The grill module consists of a cast-iron grate, a wave tray, a flame spreader, a burner assembly, 2 grease trays and a drip tray. It is used to grill foods. Refer to the “Grill Chart” for cook times and settings.

When using the grill, follow the guidelines below.

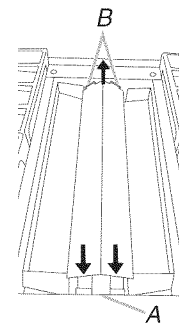
- Trim excess fat to reduce spattering. Slit the remaining fat on the edges to avoid curling.
- Allow space between food on the grill. Crowding food will result in uneven cooking.
- Use a metal spatula or tongs to turn food.
- Steaks, chops and hamburgers should be turned only once to avoid loss of juices.
- For even cooking, foods such as chicken quarters should be turned several times.

- To check for doneness of meats and poultry, use an instant read thermometer or make a small cut in the center of the food. This will avoid loss of juices.
- Do not leave the grill unattended while cooking.
- Do not use aluminum foil, charcoal or wood chips.
- To avoid damage to cookware, do not place cookware on the grill when in use. Food should be cooked directly on the grill grate.

Before removing or replacing grill, make sure the control knobs are turned to OFF. Allow the grill to cool completely before handling.

**To Remove:**

- Remove grill grate and wave tray.
- Pull forward slightly on the flame spreader to release the tabs from the rear slots and lift out.

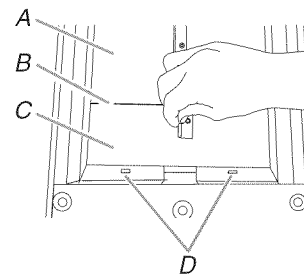


A. Grill front  
B. Rear tabs and slots

- Lift up and out to remove the burner assembly.

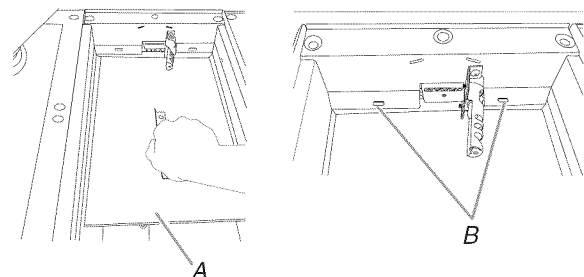
**Remove Grease Trays:**

- To remove the small grease tray, unhook tabs from slots and lift slightly to disengage it from the large grease tray.



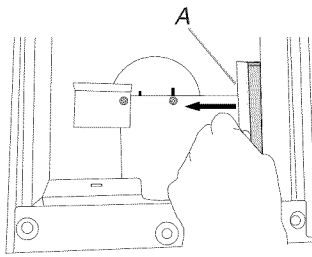
A. Large grease tray  
B. Grease tray connection  
C. Small grease tray  
D. Slots

- Unhook tabs from slots and lift out the large grease tray.



A. Large grease tray  
B. Slots

- Remove the drip tray.

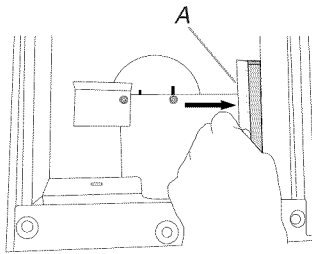


A. Drip tray

- Clean basin. See “General Cleaning” section.

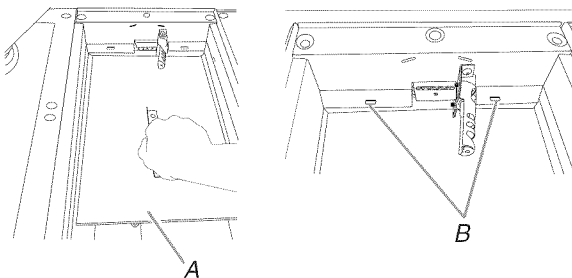
### To Replace:

- Slide drip tray into opening on the right front side of the grill basin. There are guides to assure correct placement of the drip tray.



A. Drip tray

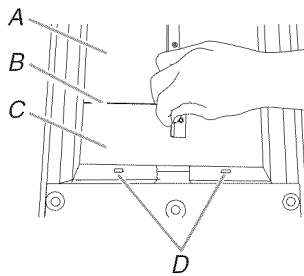
- Insert the large grease tray all the way under the back edge of the grill basin and hook it into the slots.



A. Large grease tray  
B. Slots

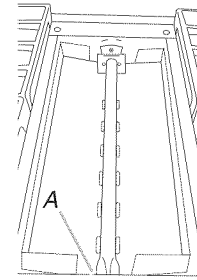
- Insert the small grease tray all the way under the front of the grill basin and hook it into the slots.

When the 2 grease trays are installed properly, the small grease tray will hook over the large grease tray.



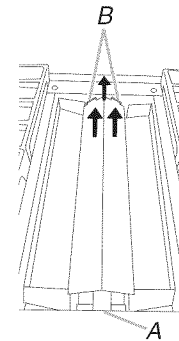
A. Large grease tray  
B. Grease tray connection  
C. Small grease tray  
D. Slots

- Insert the orifice tube on the front of the burner assembly into the opening at the front of the grill basin and set burner assembly into place.



A. Front opening

- Insert rear tabs of flame spreader into slots at the rear of the grill basin, then the front tabs into the front slots.



A. Front tabs and slots  
B. Rear tabs and slots

- Place the wave tray on top of the flame spreader.
- Place the grill grate into position.

### To Use:

- Turn on overhead range hood.
- If desired, apply a light coating of vegetable oil or nonstick cooking spray to grill grate.
- Push in and turn knob to LITE/HI. The flame will ignite in 1 to 4 seconds. Allow grill to preheat for 15 minutes.
- Turn knob to desired cook setting. Place food on grill.

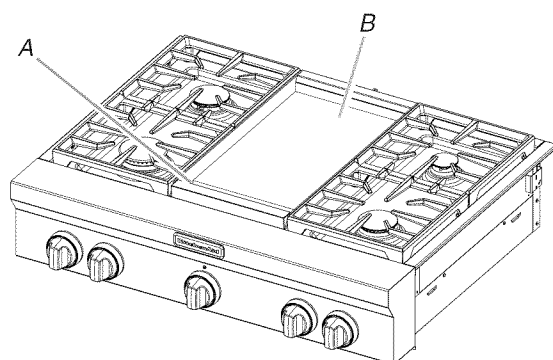
### GRILL CHART

The settings and times are guidelines only and may need to be adjusted for individual tastes.

FOOD	SETTING	COOK TIME TOTAL MINUTES
<b>Steak</b>		
1" (2.5 cm)		
medium	MED-HI	16-20
well-done	MED-HI	20-30
<b>Ground Meat Patties</b>		
½ - ¾" (1.3-1.9 cm)	MED	20-25
<b>Pork Chops</b>		
1" (2.5 cm)	MED	35-55
<b>Ham Slices</b>		
½" (1.3 cm)	MED-HI	8-12

FOOD	SETTING	COOK TIME TOTAL MINUTES
<b>Frankfurters and Precooked Sausages</b>	MED	8-15
<b>Chicken</b>		
Quarters	MED-LO	50-80
Breasts, boneless	MED	20-40
<b>Fish Steaks</b>		
¾ - 1" (1.9-2.5 cm)	MED	10-15

### Even-Heat™ Electric Chrome Griddle (on some models)



A. Drip tray  
B. Griddle

The Even-Heat™ chrome electric griddle system provides an evenly heated and easy to clean cooking surface.

- Remove plastic film and clean with hot, soapy water prior to first use.
- To avoid scratching the griddle, do not place any pots or pans on the griddle.
- To avoid scratching the griddle, use only plastic or wooden utensils.
- The griddle surface is ready to use, and does not need to be seasoned.
- Pouring cold water on a hot griddle may warp the griddle, resulting in an uneven cooking surface.

#### Using the Griddle:

1. Position the drip tray under the front edge of the griddle to catch grease and food residue.
2. Push in and turn the control knob to desired temperature.
3. Refer to the griddle Preheat Chart for preheat times.  
The griddle light will turn off when the griddle has finished preheating. The griddle light will turn on and off during use to indicate that the griddle element is maintaining the selected surface temperature.
4. Place food on the griddle and cook to desired doneness.

#### Griddle Charts

The settings and times are guidelines only and may need to be adjusted for individual tastes.

#### Preheat Chart

TEMPERATURE	TIME TO PREHEAT (in minutes)
250°F (121°C)	10
300°F (149°C)	14
350°F (177°C)	15
400°F (204°C)	20
450°F (232°C)	25
500°F (260°C)	27

#### Cooking Chart

FOOD	SETTING	COOK TIME TOTAL MINUTES
<b>Sausage patties and links</b>	325°F (163°C)	12-18
<b>Bacon slices</b>	350°F (177°C)	7-11
<b>Ham steak</b> (fully cooked)	325°F (163°C)	5-7
<b>Frankfurters and precooked sausages</b>	325°F (163°C)	8-15
<b>Ground meat patties</b>	350°F (177°C)	10-15
<b>Grilled sandwiches</b>	325°F (163°C)	3-5
<b>Fish steaks, fillets</b>	325°F (163°C)	8-15
<b>Eggs</b>	300°F (149°C)	3-5
<b>Hash brown potatoes</b>	400°F to 425°F (204°C to 218°C)	8-12
<b>French toast</b>	350°F (177°C)	5-7
<b>Pancakes</b>	350°F (177°C)	2-4

#### After Each Use:

1. Turn the griddle off and let cool.
2. Scrape griddle residue into drip tray.
3. Rinse griddle with hot, soapy water.
4. Remove and clean the drip tray and the area below. Gently tip the drip tray so that the contents are not spilled when removing.
5. Clean using a nylon scrub pad with soapy water and rinse with hot water.
6. Dry griddle, drip tray and area below griddle with paper towels to remove excess grease and oil.

---

## Cookware

**IMPORTANT:** Do not leave empty cookware on a hot surface cooking area, element or surface burner.

Ideal cookware should have a flat bottom, straight sides and a well-fitting lid, and the material should be of medium-to-heavy thickness.

Rough finishes may scratch the cooktop or grates. Aluminum and copper may be used as a core or base in cookware. However, when used as a base they can leave permanent marks on the cooktop or grates.

Cookware material is a factor in how quickly and evenly heat is transferred, which affects cooking results. A nonstick finish has the same characteristics as its base material. For example, aluminum cookware with a nonstick finish will take on the properties of aluminum.

Cookware with nonstick surfaces should not be used under the broiler.

Use the following chart as a guide for cookware material characteristics.

COOKWARE	CHARACTERISTICS
<b>Aluminum</b>	<ul style="list-style-type: none"><li>■ Heats quickly and evenly.</li><li>■ Suitable for all types of cooking.</li><li>■ Medium or heavy thickness is best for most cooking tasks.</li></ul>
<b>Cast iron</b>	<ul style="list-style-type: none"><li>■ Heats slowly and evenly.</li><li>■ Good for browning and frying.</li><li>■ Maintains heat for slow cooking.</li></ul>
<b>Ceramic or Ceramic glass</b>	<ul style="list-style-type: none"><li>■ Follow manufacturer's instructions.</li><li>■ Heats slowly, but unevenly.</li><li>■ Ideal results on low to medium heat settings.</li></ul>
<b>Copper</b>	<ul style="list-style-type: none"><li>■ Heats very quickly and evenly.</li></ul>
<b>Earthenware</b>	<ul style="list-style-type: none"><li>■ Follow manufacturer's instructions.</li><li>■ Use on low heat settings.</li></ul>
<b>Porcelain enamel-on-steel or cast iron</b>	<ul style="list-style-type: none"><li>■ See stainless steel or cast iron.</li></ul>
<b>Stainless steel</b>	<ul style="list-style-type: none"><li>■ Heats quickly, but unevenly.</li><li>■ A core or base of aluminum or copper on stainless steel provides even heating.</li></ul>

---

## Home Canning

When canning for long periods, alternate the use of surface burners between batches. This allows time for the most recently used areas to cool.

- Center the canner on the grate.
- Do not place canner on 2 surface burners at the same time.
- For more information, contact your local agricultural department. Companies that manufacture home canning products can also offer assistance.

---

# COOKTOP CARE

---

## General Cleaning

**IMPORTANT:** Before cleaning, make sure all controls are off and the cooktop is cool. Always follow label instructions on cleaning products.

Soap, water and a soft cloth or sponge are suggested first unless otherwise noted.

---

### EXTERIOR PORCELAIN ENAMEL SURFACES

---

Food spills containing acids, such as vinegar and tomato, should be cleaned as soon as the entire appliance is cool. These spills may affect the finish.

**Cleaning Method:**

- Glass cleaner, mild liquid cleaner or nonabrasive scrubbing pad:

Gently clean around the model and serial number plate because scrubbing may remove numbers.

---

### STAINLESS STEEL

---

Do not use soap-filled scouring pads, abrasive cleaners, Cooktop Polishing Creme, steel-wool pads, gritty washcloths or abrasive paper towels. Damage may occur, even with one-time or limited use.

Rub in direction of grain to avoid damaging.

**Cleaning Method:**

- KitchenAid® Stainless Steel Cleaner and Polish:  
See "Assistance or Service" section to order.
- Liquid detergent or all-purpose cleaner:  
Rinse with clean water and dry with soft, lint-free cloth.

---

### PORCELAIN-COATED GRATES AND CAPS

---

Food spills containing acids, such as vinegar and tomato, should be cleaned as soon as the cooktop, grates and caps are cool. These spills may affect the finish.

To avoid chipping, do not bang grates and caps against each other or hard surfaces such as cast iron cookware.

Do not reassemble caps on burners while wet.

Do not clean in the Self-Cleaning cycle.

Do not clean in dishwasher.

**Cleaning Method:**

- Nonabrasive scrubbing pad and mildly abrasive cleanser:  
Clean as soon as cooktop, grates and caps are cool.

---

### SURFACE BURNERS

---

**Sealed Burner models**

See "Sealed Surface Burners" section.

---

### CONTROL KNOBS

---

To avoid damage to the control knobs, do not use steel wool, abrasive cleansers or oven cleaner.

To avoid damage, do not soak knobs.

When replacing knobs, make sure knobs are in the Off position.

On some models, do not remove seals under knobs.

**NOTE:** When replacing knobs after cleaning either the surface burner controls or the grill module control, make sure the knobs are replaced to the correct location. For example, the knobs for the surface burner controls will read “LITE,” while the knob for the grill will read “LITE/HI.”

**Cleaning Method:**

- Soap and water or dishwasher:  
Pull knobs straight away from control panel to remove.

---

## CONTROL PANEL

---

To avoid damage to the control panel, do not use abrasive cleaners, steel-wool pads, gritty washcloths or abrasive paper towels.

**Cleaning Method:**

- Soap and water.  
Wash, rinse and dry with a soft cloth.
- Glass cleaner and soft cloth or sponge:  
Apply glass cleaner to soft cloth or sponge, not directly on panel.

---

## GRILL MODULE

---

For more information, see “Grill” section.

To avoid damage to the grill, do not use oven cleaners, metal brushes, abrasive scouring pads or other scrubbers made to clean outdoor grills.

**Grill Grate**

Do not clean grill grate in dishwasher.

Do not clean in a self-cleaning oven.

- Clean the grill grate shortly after cooking is completed and the burner has been turned off.
- While still warm, use a soft bristle barbecue brush to scrub the grill grate. Oven mitts may be worn while cleaning.
- For thorough cleaning of the grill grate, soak in warm, soapy water for 30 minutes. After soaking, scrub with nonabrasive pad.

## Wave Tray and Wave Plate

- Soak in warm, soapy water to loosen soil. After soaking, scrub with a nonabrasive pad.
- Oven cleaner.

## Burner Assembly

Do not soak in water.

- Soap and water or nonabrasive cleanser.
- Damp cloth or nonabrasive pad.

## Front Spill Guard and Drip Tray

Allow cooktop to cool completely before cleaning.

- Soap and water or nonabrasive cleanser.
- Damp cloth or nonabrasive pad.

## Module Basin

- Warm, soapy water.
- Nonabrasive pad or sponge.
- For heavy soil, soak paper towels in household cleanser and lay them on the soil for at least 30 minutes. After soaking, scrub with a nonabrasive pad.

---

## GRIDDLE MODULE

---

Clean the griddle shortly after removing food and the griddle has cooled down.

**Cleaning Method:**

- Hot, soapy water and/or nylon scrub pad
- After cleaning dry surface with a paper towel

## Drip Tray and Area Under Tray

Allow cooktop to cool completely before cleaning.

**Cleaning Method:**

- Warm, soapy water or nonabrasive cleanser.
- Damp cloth or nonabrasive pad.
- Dry completely before placing drip tray in position.

---

# TROUBLESHOOTING

Try the solutions suggested here first in order to avoid the cost of an unnecessary service call.

---

## Nothing will operate

---

- **Has a household fuse blown, or has a circuit breaker tripped?**  
Replace the fuse or reset the circuit breaker. If the problem continues, call an electrician.

---

## Surface burners will not operate

---

- **Is this the first time the surface burners have been used?**  
Turn on any one of the surface burner knobs to release air from the gas lines.
- **Is the control knob set correctly?**  
Push in knob before turning to a setting.
- **Are the burner ports clogged?**  
On sealed burner models, see “Sealed Surface Burners” section.

---

## Surface burner flames are uneven, yellow and/or noisy

---

- **Are the burner ports clogged?**  
On sealed burner models, see “Sealed Surface Burners” section.
- **On models with caps, are the burner caps positioned properly?**  
See “Sealed Surface Burners” section.
- **Is propane gas being used?**  
The appliance may have been converted improperly. Contact a trained repair specialist.

---

## Surface burner makes popping noises

---

- **Is the burner wet?**  
Let it dry.

---

### Burner sparks but does not light

---

- **Is there continuous sparking, but the burner does not light?**  
Discontinue use of the surface burner and contact a service technician.

---

### Excessive heat around cookware on cooktop

---

- **Is the cookware the proper size?**  
Use cookware about the same size as the surface cooking area, element or surface burner. Cookware should not extend more than ½" (1.3 cm) outside the cooking area.

---

### Cooktop cooking results not what expected

---

- **Is the proper cookware being used?**  
See "Cookware" section.

- **Is the control knob set to the proper heat level?**  
See "Cooktop Controls" section.
- **Is the cooktop level?**  
Level the cooktop. See the Installation Instructions.

---

### Grill and Griddle results not what expected

---

- **Was the grill or griddle preheated?**  
Preheat grill or griddle. See "SureSear™ Grill" or "Even-Heat™ Electric Chrome Griddle" sections for more information.
- **Is there proper air circulation between foods?**  
Space food evenly across the grill grates.
- **Are foods taking too long to cook?**  
Partially frozen or very cold foods will increase cooking time. Thoroughly defrost foods.

---

## ASSISTANCE OR SERVICE

---

Before calling for assistance or service, please check "Troubleshooting." It may save you the cost of a service call. If you still need help, follow the instructions below.

When calling, please know the purchase date and the complete model and serial number of your appliance. This information will help us to better respond to your request.

### If you need replacement parts

If you need to order replacement parts, we recommend that you use only factory specified parts. These factory specified parts will fit right and work right because they are made with the same precision used to build every new KITCHENAID® appliance.

To locate factory specified parts in your area, call us or your nearest KitchenAid designated service center.

---

### In the U.S.A.

Call the KitchenAid Customer eXperience Center toll free: **1-800-422-1230.**

#### Our consultants provide assistance with:

- Features and specifications on our full line of appliances.
- Installation information.
- Use and maintenance procedures.
- Accessory and repair parts sales.
- Specialized customer assistance (Spanish speaking, hearing impaired, limited vision, etc.).
- Referrals to local dealers, repair parts distributors and service companies. KitchenAid designated service technicians are trained to fulfill the product warranty and provide after-warranty service, anywhere in the United States.

To locate the KitchenAid designated service company in your area, you can also look in your telephone directory Yellow Pages.

### For further assistance

If you need further assistance, you can write to KitchenAid with any questions or concerns at:

KitchenAid Brand Home Appliances  
Customer eXperience Center  
553 Benson Road  
Benton Harbor, MI 49022-2692

Please include a daytime phone number in your correspondence.

---

### Accessories

#### Accessories U.S.A.

To order accessories, call the KitchenAid Customer eXperience Center toll free at **1-800-442-9991** and follow the menu prompts. Or visit our website at [www.kitchenaid.com](http://www.kitchenaid.com) and click on "Shopping Options." Go to "Replacement Parts & Accessories" and click on "applianceaccessories.com." Portable appliances, bakeware, cookware, gadgets and textiles are also available.

#### KitchenAid® Stainless Steel Cleaner and Polish

Order Part Number 4396920

#### KitchenAid® Stainless Steel Wipes

Order Part Number 8212510

#### Cooktop Cleaner

Order Part Number 31464

#### Cooktop Protectant

Order Part Number 31463

#### Gas Grate/Drip Pan Cleaner

Order Part Number 31617

#### All-Purpose Appliance Cleaner

Order Part Number 31682

#### Griddle

Order Part Number W10190534

#### Grill and Griddle Cover

Order Part Number W10160195

#### Wok Ring

Order Part Number W10216179

#### Stainless Steel Knobs - 6 Burner/1 Grill/1 Griddle

Order Part Number W10231704

#### Stainless Steel Knobs - 4 Burner/1 Grill/1 Griddle

Order Part Number W10231703

### Stainless Steel Knobs - 4 Burner

Order Part Number W10231702

### 19<sup>11</sup>/<sub>16</sub>" (50.0 cm) to 39" (99.0 cm) Adjustable Backguard for 30" (76.2 cm) Ranges

Order Part Number 8285148

### 19<sup>11</sup>/<sub>16</sub>" (50.0 cm) to 39" (99.0 cm) Adjustable Backguard for 36" (91.4 cm) Ranges

Order Part Number 8284756

### 19<sup>11</sup>/<sub>16</sub>" (50.0 cm) to 39" (99.0 cm) Adjustable Backguard for 48" (121.9 cm) Ranges

Order Part Number 8284755

### 9" (22.9 cm) Backguard for 30" (76.2 cm) Ranges

Order Part Number W10115773

### 9" (22.9 cm) Backguard for 36" (91.4 cm) Ranges

Order Part Number W10115776

### 9" (22.9 cm) Backguard for 48" (121.9 cm) Ranges

Order Part Number W10115777

### 22" (55.9 cm) Backguard with Shelf for 30" (76.2 cm) Ranges and Cooktops

Order Part Number W10225950

### 22" (55.9 cm) Backguard with Shelf for 36" (91.4 cm) Ranges and Cooktops

Order Part Number W10225949

### 22" (55.9 cm) Backguard with Shelf for 48" (121.9 cm) Ranges and Cooktops

Order Part Number W10225948

## In Canada

Call the KitchenAid Canada Customer eXperience Centre toll free: **1-800-807-6777**.

#### Our consultants provide assistance with:

- Features and specifications on our full line of appliances.
- Use and maintenance procedures.
- Accessory and repair parts sales.
- Referrals to local dealers, repair parts distributors and service companies. KitchenAid Canada designated service technicians are trained to fulfill the product warranty and provide after-warranty service, anywhere in Canada.

#### For further assistance

If you need further assistance, you can write to KitchenAid Canada with any questions or concerns at:

Customer eXperience Centre  
KitchenAid Canada  
1901 Minnesota Court  
Mississauga, Ontario L5N 3A7

Please include a daytime phone number in your correspondence.

# KITCHENAID® COOKTOP WARRANTY

## LIMITED WARRANTY

For one year from the date of purchase, when this major appliance is operated and maintained according to instructions attached to or furnished with the product, KitchenAid brand of Whirlpool Corporation or Whirlpool Canada LP (hereafter "KitchenAid") will pay for Factory Specified Parts and repair labor to correct defects in materials or workmanship. Service must be provided by a KitchenAid designated service company. This limited warranty is valid only in the United States or Canada and applies only when the major appliance is used in the country in which it was purchased. Outside the 50 United States and Canada, this limited warranty does not apply. Proof of original purchase date is required to obtain service under this limited warranty.

## SECOND THROUGH FIFTH YEAR LIMITED WARRANTY ON CERTAIN COMPONENT PARTS

In the second through fifth years from the date of purchase, when this appliance is operated and maintained according to instructions attached to or furnished with the product, KitchenAid or KitchenAid Canada will pay for Factory Specified Parts for the following components if defective in materials or workmanship:

- Electric element
- Gas burners
- Solid state touch control system parts
- Any cracking of the rubber seal between the ceramic glass cooktop and porcelain edge
- Any cracking due to thermal shock of the ceramic glass cooktop
- Surface unit elements

## ITEMS EXCLUDED FROM WARRANTY

### This limited warranty does not cover:

1. Service calls to correct the installation of your major appliance, to instruct you on how to use your major appliance, to replace or repair house fuses, or to correct house wiring or plumbing.
2. Service calls to repair or replace appliance light bulbs, air filters or water filters. Consumable parts are excluded from warranty coverage.
3. Repairs when your major appliance is used for other than normal, single-family household use or when it is used in a manner that is contrary to published user or operator instructions and/or installation instructions.
4. Damage resulting from accident, alteration, misuse, abuse, fire, flood, acts of God, improper installation, installation not in accordance with electrical or plumbing codes, or use of consumables or cleaning products not approved by KitchenAid.
5. Cosmetic damage, including scratches, dents, chips or other damage to the finish of your major appliance, unless such damage results from defects in materials or workmanship and is reported to KitchenAid within 30 days from the date of purchase.
6. Costs associated with the removal from your home of your major appliance for repairs. This major appliance is designed to be repaired in the home and only in-home service is covered by this warranty.

7. Repairs to parts or systems resulting from unauthorized modifications made to the appliance.
8. Expenses for travel and transportation for product service if your major appliance is located in a remote area where service by an authorized KitchenAid servicer is not available.
9. The removal and reinstallation of your major appliance if it is installed in an inaccessible location or is not installed in accordance with published installation instructions.
10. Major appliances with original model/serial numbers that have been removed, altered or cannot be easily determined. This warranty is void if the factory applied serial number has been altered or removed from your major appliance.

The cost of repair or replacement under these excluded circumstances shall be borne by the customer.

**DISCLAIMER OF IMPLIED WARRANTIES; LIMITATION OF REMEDIES**

CUSTOMER'S SOLE AND EXCLUSIVE REMEDY UNDER THIS LIMITED WARRANTY SHALL BE PRODUCT REPAIR AS PROVIDED HEREIN. IMPLIED WARRANTIES, INCLUDING WARRANTIES OF MERCHANTABILITY OR FITNESS FOR A PARTICULAR PURPOSE, ARE LIMITED TO ONE YEAR OR THE SHORTEST PERIOD ALLOWED BY LAW. KITCHENAID SHALL NOT BE LIABLE FOR INCIDENTAL OR CONSEQUENTIAL DAMAGES. SOME STATES AND PROVINCES DO NOT ALLOW THE EXCLUSION OR LIMITATION OF INCIDENTAL OR CONSEQUENTIAL DAMAGES, OR LIMITATIONS ON THE DURATION OF IMPLIED WARRANTIES OF MERCHANTABILITY OR FITNESS, SO THESE EXCLUSIONS OR LIMITATIONS MAY NOT APPLY TO YOU. THIS WARRANTY GIVES YOU SPECIFIC LEGAL RIGHTS, AND YOU MAY ALSO HAVE OTHER RIGHTS WHICH VARY FROM STATE TO STATE OR PROVINCE TO PROVINCE.

If outside the 50 United States and Canada, contact your authorized KitchenAid dealer to determine if another warranty applies.

If you need service, first see the "Troubleshooting" section of the Use & Care Guide. After checking "Troubleshooting," you may find additional help by checking the "Assistance or Service" section or by calling KitchenAid. In the U.S.A., call **1-800-422-1230**. In Canada, call **1-800-807-6777**.

9/07

**Keep this book and your sales slip together for future reference. You must provide proof of purchase or installation date for in-warranty service.**

Write down the following information about your major appliance to better help you obtain assistance or service if you ever need it. You will need to know your complete model number and serial number. You can find this information on the model and serial number label located on the product.

Dealer name \_\_\_\_\_

Address \_\_\_\_\_

Phone number \_\_\_\_\_

Model number \_\_\_\_\_

Serial number \_\_\_\_\_

Purchase date \_\_\_\_\_



# SÉCURITÉ DE LA TABLE DE CUISSON

## Votre sécurité et celle des autres est très importante.

Nous donnons de nombreux messages de sécurité importants dans ce manuel et sur votre appareil ménager. Assurez-vous de toujours lire tous les messages de sécurité et de vous y conformer.



Voici le symbole d'alerte de sécurité.

Ce symbole d'alerte de sécurité vous signale les dangers potentiels de décès et de blessures graves à vous et à d'autres.

Tous les messages de sécurité suivront le symbole d'alerte de sécurité et le mot "DANGER" ou "AVERTISSEMENT". Ces mots signifient :

**⚠ DANGER**

Risque possible de décès ou de blessure grave si vous ne suivez pas immédiatement les instructions.

**⚠ AVERTISSEMENT**

Risque possible de décès ou de blessure grave si vous ne suivez pas les instructions.

Tous les messages de sécurité vous diront quel est le danger potentiel et vous disent comment réduire le risque de blessure et ce qui peut se produire en cas de non-respect des instructions.

**AVERTISSEMENT : Si les renseignements dans ce manuel ne sont pas exactement observés, un incendie ou une explosion peut survenir, causant des dommages au produit, des blessures ou un décès.**

- Ne pas entreposer ni utiliser de l'essence ou d'autres vapeurs ou liquides inflammables à proximité de cet appareil ou de tout autre appareil électroménager.
- QUE FAIRE DANS LE CAS D'UNE ODEUR DE GAZ :
  - Ne pas tenter d'allumer un appareil.
  - Ne pas toucher à un commutateur électrique.
  - Ne pas utiliser le téléphone se trouvant sur les lieux.
  - Appeler immédiatement le fournisseur de gaz à partir du téléphone d'un voisin. Suivre ses instructions.
  - À défaut de joindre votre fournisseur de gaz, appeler les pompiers.
- L'installation et l'entretien doivent être effectués par un installateur qualifié, une agence de service ou le fournisseur de gaz.

**AVERTISSEMENT :** L'odorat ne permet pas toujours la détection d'une fuite de gaz.

Les distributeurs de gaz recommandent l'emploi d'un détecteur de gaz (homologation UL ou CSA).

Pour d'autre information, contacter le fournisseur de gaz local.

En cas de détection d'une fuite de gaz, exécuter les instructions "Que faire dans le cas d'une odeur de gaz".

## IMPORTANTES INSTRUCTIONS DE SÉCURITÉ

**AVERTISSEMENT :** Pour réduire le risque d'incendie, de choc électrique, de blessures ou de dommages lors de l'utilisation de la table de cuisson, il convient d'observer certaines précautions élémentaires dont les suivantes :

■ **AVERTISSEMENT :** NE JAMAIS utiliser cet appareil comme dispositif de chauffage de la pièce. Le non-respect de cette instruction peut entraîner une intoxication au monoxyde de carbone et une surchauffe de la table de cuisson.

■ **MISE EN GARDE** – Ne pas remiser dans des armoires au-dessus de la table de cuisson, des objets que des enfants pourraient vouloir atteindre. Les enfants pourraient se blesser gravement en grimpant sur la table de cuisson.

■ Installation appropriée – La table de cuisson lorsqu'elle est correctement installée doit être reliée à la terre conformément aux codes locaux ou, en l'absence de codes locaux, selon le *Code national électrique, ANSI/NFPA70* ou le *Code canadien des installations électriques, Partie 1*. S'assurer que la table de cuisson est correctement installée et reliée à la terre par un technicien qualifié.

- La table de cuisson est munie d'une fiche de liaison à la terre à trois broches pour votre protection contre les risques de choc électrique et doit être branchée directement dans une prise de courant bien reliée à la terre. Ne pas couper ni enlever la broche de liaison à la terre de cette fiche.
- Débrancher l'alimentation électrique avant d'exécuter des réparations à la table de cuisson.
- Des blessures peuvent survenir du mauvais usage de la table de cuisson tel que se tenir debout sur la surface, se pencher ou s'asseoir sur le dessus de la surface.
- Entretien – Garder l'espace autour de la table de cuisson dégagé et exempt de matériaux combustibles, d'essence et d'autres vapeurs et liquides inflammables.
- Remisage sur la table de cuisson – Des produits inflammables ne doivent pas être remisés sur ou près des éléments de surface.
- La taille de la flamme des brûleurs de surface devrait être ajustée de sorte qu'elle ne dépasse pas le bord d'un ustensile de cuisson.

## CONSERVEZ CES INSTRUCTIONS

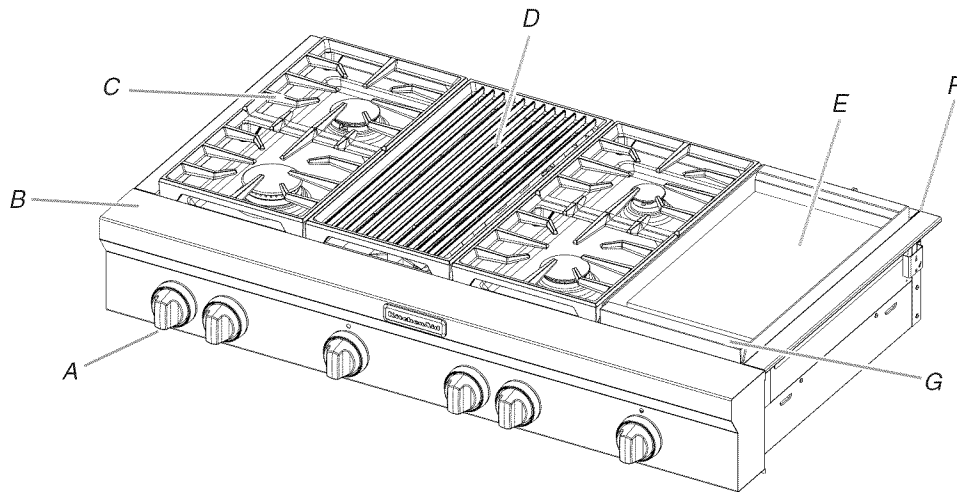
Avertissements de la proposition 65 de l'État de Californie :

**AVERTISSEMENT :** Ce produit contient un produit chimique connu par l'État de Californie pour être à l'origine de cancers.

**AVERTISSEMENT :** Ce produit contient un produit chimique connu par l'État de Californie pour être à l'origine de malformations et autres déficiences de naissance.

# PIÈCES ET CARACTÉRISTIQUES

Ce manuel couvre plusieurs modèles différents. La table de cuisson que vous avez achetée peut comporter tous les articles énumérés ou seulement certains d'entre eux. L'emplacement et l'apparence des caractéristiques illustrées peuvent ne pas correspondre à ceux de votre modèle.

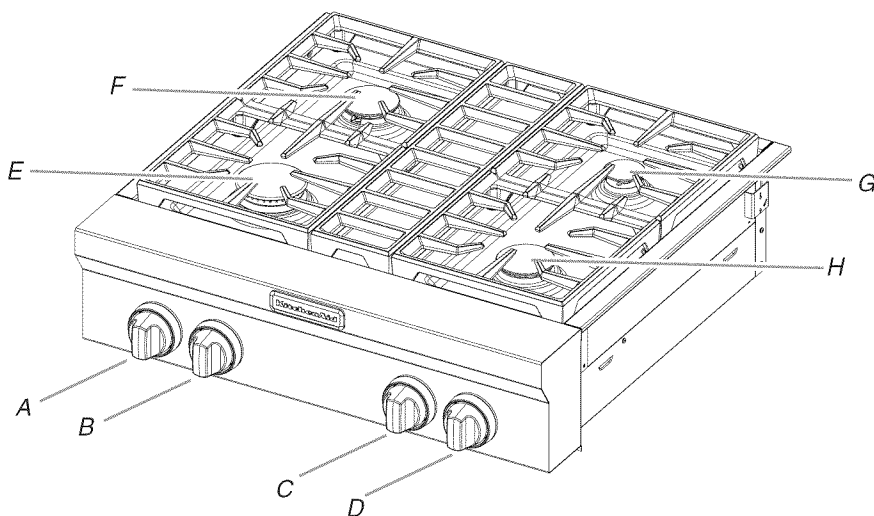


- A. Boutons de commande métalliques coulés sous pression de style commercial
- B. Rebord de protection
- C. Conception pour service intense de grille simple
- D. Gril SureSear™ (sur certains modèles)
- E. Grille chromée électrique Even-Heat™ (sur certains modèles)
- F. Garniture périphérique
- G. Plateau d'égouttement (sur modèles avec plaque à frire)

- Non illustré :**
- Dosserets réglables facultatifs de 9" (22,9 cm) et 22" (55,9 cm)
  - Couvercle de plaque à frire facultatif
  - Couvercle de gril facultatif
  - Cerclage de wok facultatif
  - Boutons en acier inoxydable facultatifs

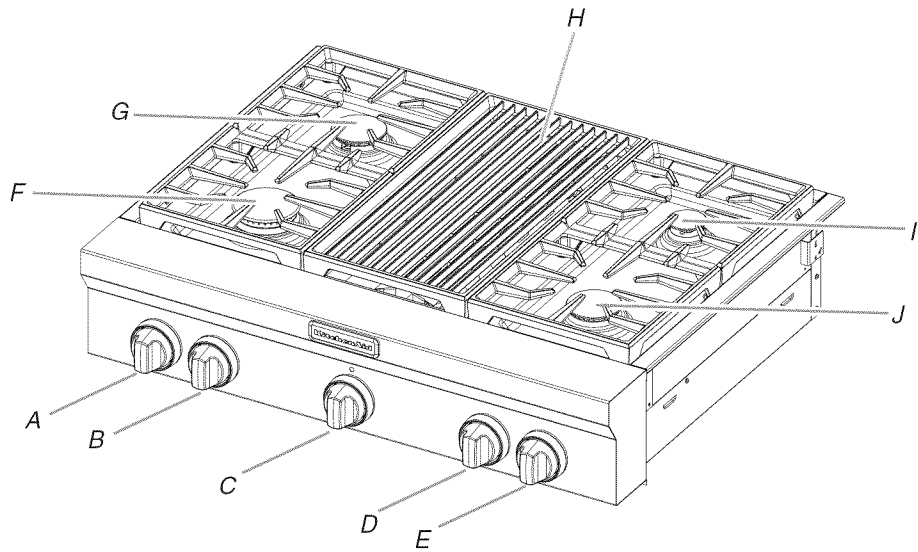
## Tableaux de commande

### KGCU407



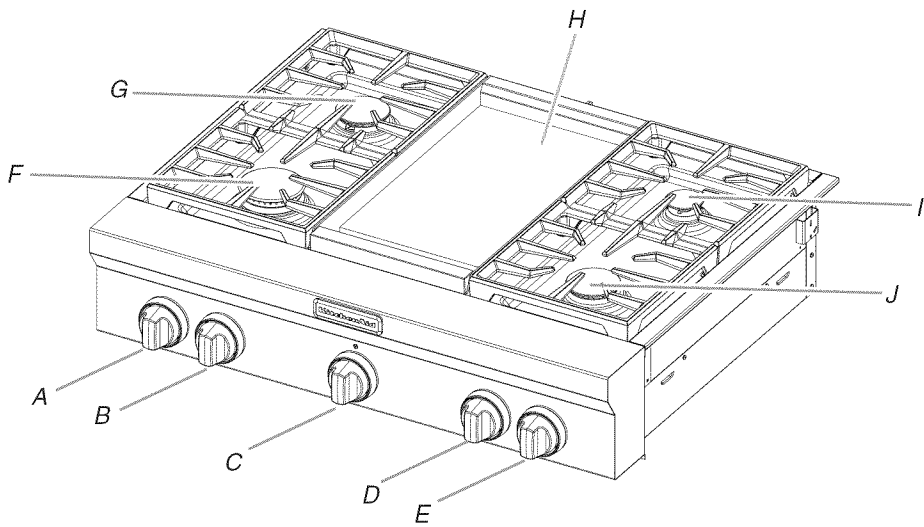
- A. Bouton de commande arrière gauche
- B. Bouton de commande avant gauche
- C. Bouton de commande arrière droit
- D. Bouton de commande avant droit
- E. Brûleur de 20 000 BTU/h
- F. Brûleur de 15 000 BTU/h
- G. Brûleur de 5 000 BTU/h
- H. Brûleur de 15 000 BTU/h

**KGCU462**



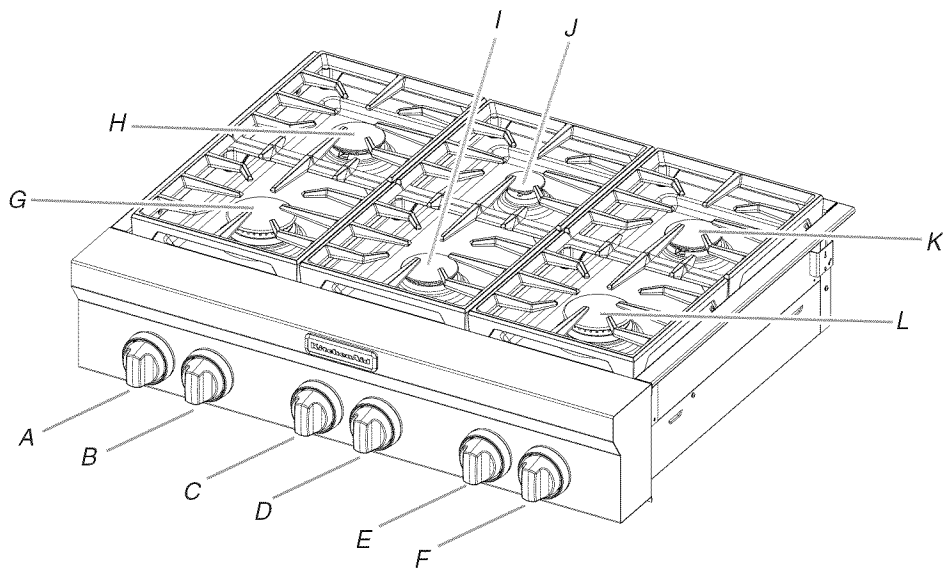
- A. Bouton de commande arrière gauche
- B. Bouton de commande avant gauche
- C. Bouton de commande du grill
- D. Bouton de commande arrière droit
- E. Bouton de commande avant droit
- F. Brûleur de 20 000 BTU/h
- G. Brûleur de 15 000 BTU/h
- H. Gril SureSear™
- I. Brûleur de 5 000 BTU/h
- J. Brûleur de 15 000 BTU/h

**KGCU463**



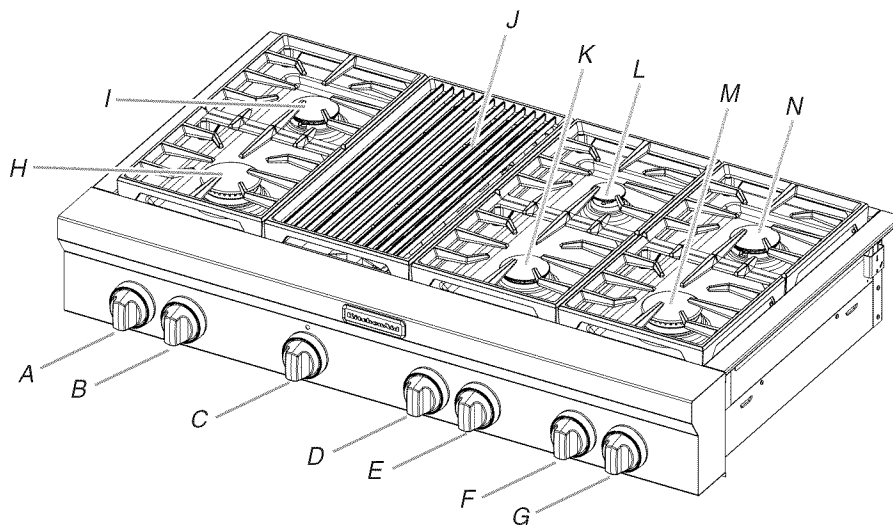
- A. Bouton de commande arrière gauche
- B. Bouton de commande avant gauche
- C. Bouton de commande de la plaque à frire
- D. Bouton de commande arrière droit
- E. Bouton de commande avant droit
- F. Brûleur de 20 000 BTU/h
- G. Brûleur de 15 000 BTU/h
- H. Plaque à frire chromée électrique Even-Heat™
- I. Brûleur de 5 000 BTU/h
- J. Brûleur de 15 000 BTU/h

**KGCU467**



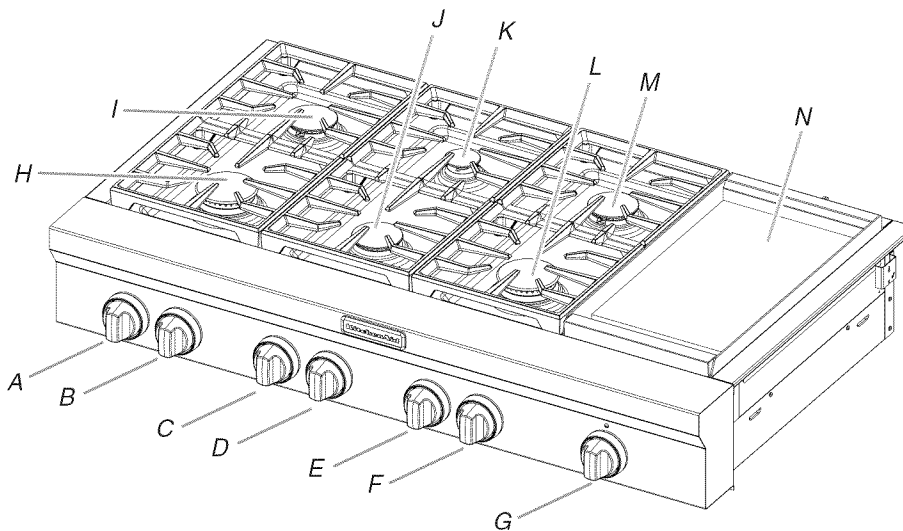
- A. Bouton de commande arrière gauche
- B. Bouton de commande avant gauche
- C. Bouton de commande central arrière
- D. Bouton de commande central avant
- E. Bouton de commande arrière droit
- F. Bouton de commande avant droit
- G. Brûleur de 20 000 BTU/h
- H. Brûleur de 15 000 BTU/h
- I. Brûleur de 15 000 BTU/h
- J. Brûleur de 5 000 BTU/h
- K. Brûleur de 15 000 BTU/h
- L. Brûleur de 20 000 BTU/h

## KGCU482



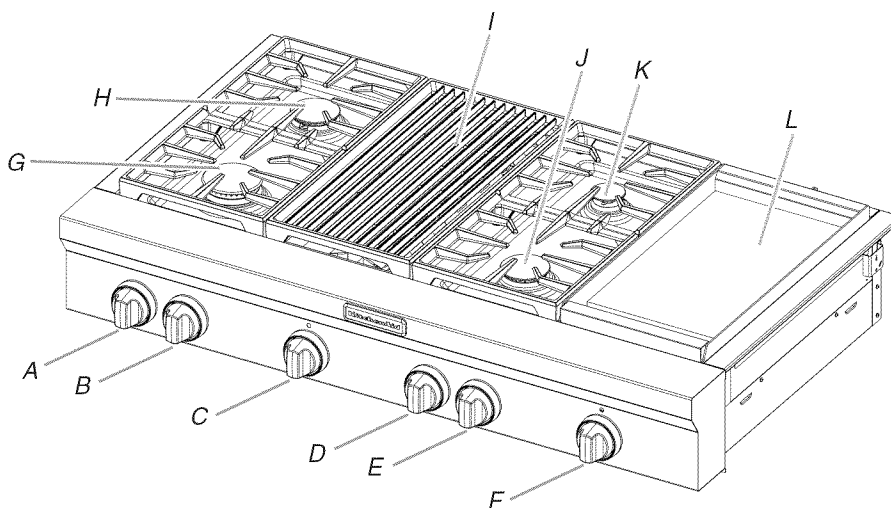
- A. Bouton de commande arrière gauche
- B. Bouton de commande avant gauche
- C. Bouton de commande du grill
- D. Bouton de commande central arrière
- E. Bouton de commande central avant
- F. Bouton de commande arrière droit
- G. Bouton de commande avant droit
- H. Brûleur de 20 000 BTU/h
- I. Brûleur de 15 000 BTU/h
- J. Gril SureSear™
- K. Brûleur de 15 000 BTU/h
- L. Brûleur de 5 000 BTU/h
- M. Brûleur de 20 000 BTU/h
- N. Brûleur de 15 000 BTU/h

## KGCU483



- A. Bouton de commande arrière gauche
- B. Bouton de commande avant gauche
- C. Bouton de commande central arrière
- D. Bouton de commande central avant
- E. Bouton de commande arrière droit
- F. Bouton de commande avant droit
- G. Bouton de commande de la plaque à frire
- H. Brûleur de 20 000 BTU/h
- I. Brûleur de 15 000 BTU/h
- J. Brûleur de 15 000 BTU/h
- K. Brûleur de 5 000 BTU/h
- L. Brûleur de 20 000 BTU/h
- M. Brûleur de 15 000 BTU/h
- N. Plaque à frire chromée électrique Even-Heat™

## KGCU484



- A. Bouton de commande arrière gauche
- B. Bouton de commande avant gauche
- C. Bouton de commande du grill
- D. Bouton de commande arrière droit
- E. Bouton de commande avant droit
- F. Bouton de commande de la plaque à frire
- G. Brûleur de 20 000 BTU/h
- H. Brûleur de 15 000 BTU/h
- I. Gril SureSear™
- J. Brûleur de 15 000 BTU/h
- K. Brûleur de 5 000 BTU/h
- L. Plaque à frire chromée électrique Even-Heat™

# UTILISATION DE LA TABLE DE CUISSON

## Commandes de la table de cuisson

### **⚠ AVERTISSEMENT**



#### Risque d'incendie

**La flamme d'un brûleur ne devrait pas dépasser le bord du récipient de cuisson.**

**Fermer tous les réglages lorsque la cuisson est terminée.**

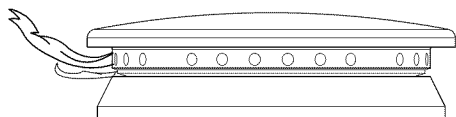
**Le non-respect de ces instructions peut causer un décès ou un incendie.**

**IMPORTANT :** Cette table de cuisson a été configurée à l'usine pour une alimentation au gaz naturel. Si vous souhaitez utiliser du gaz propane, une trousse de conversion au gaz propane est fournie avec la cuisinière. Voir les instructions fournies dans les Instructions d'installation pour des détails sur la réalisation de cette conversion.

Des allumeurs électriques allument automatiquement les brûleurs de surface lorsque les boutons de commande sont tournés à LITE (allumage).

Trois différentes tailles de brûleur sont fournies - 20 000 BTU/h [unités thermiques britanniques], 15 000 BTU/h et 5 000 BTU/h.

Le brûleur à double flamme Ultra Power™ de 20 000 BTU/h comporte un débit thermique minimal et un débit thermique maximal.



Le réglage Power Hi (puissance élevée) utilise les deux niveaux de flamme à pleine puissance pour fournir le niveau thermique maximal et est idéal pour la cuisson de grandes quantités d'aliments liquides ou solides à l'aide de grandes casseroles et poêles. Les réglages Simmer Hi et Lo (mijotage à grand et petit feu) utilisent uniquement la petite flamme et permettent de contrôler le mijotage avec précision et de cuire de petites quantités d'aliments.

Le brûleur de 5 000 BTU/h atteint 500 BTU/h au réglage minimum et est idéal pour la cuisson de quantités d'aliments plus petites et pour faire fondre le chocolat ou le beurre.

Avant de régler un bouton de commande, placer l'ustensile de cuisson rempli sur la grille. Ne pas faire fonctionner un brûleur avec un ustensile de cuisson vide ou sans ustensile de cuisson sur la grille.

**REMARQUE :** Vérifier visuellement que le brûleur est allumé. Si le brûleur ne s'allume pas, guetter un déclic. Si l'allumeur n'émet aucun déclic, éteindre le brûleur. Vérifier si le disjoncteur ne s'est pas déclenché ou si un fusible n'est pas grillé.

Vérifier que le bouton de commande est complètement enfoncé sur la tige de la soupape. Si l'allumeur ne fonctionne toujours pas, appeler un technicien de réparation qualifié.

La liaison à la terre et la polarité appropriées sont nécessaires pour le bon fonctionnement du système d'allumage électrique. Si la prise de courant murale ou la boîte de connexion ne fournit pas la polarité correcte, l'allumeur deviendra relié à la terre et pourra occasionnellement émettre un déclic, même après l'allumage du brûleur. Faire vérifier la prise murale ou la boîte de connexion par un technicien de réparation qualifié pour voir si la polarité du câblage est correcte.

#### Réglage :

1. Pousser et tourner le bouton dans le sens antihoraire à LITE (léger).

Tous les brûleurs de surface émettront un déclic. Seul le brûleur dont le bouton de commande est placé sur LITE produira une flamme.

2. Tourner le bouton n'importe où entre HI et LO (élevé et bas) dans le sens antihoraire. Enfoncer une fois de plus pour passer de LO (bas) à Simmer HI (mijotage élevé).

Utiliser les tableaux suivants comme guide lors du réglage des niveaux thermiques.

#### Brûleur à double flamme Ultra Power™ de 20 000 BTU/h

RÉGLAGE	UTILISATION RECOMMANDÉE
<b>LITE (allumage) (léger)</b>	■ Allumage du brûleur.
<b>HI (élevé)</b>	■ Démarrer la cuisson des aliments. ■ Porter un liquide à ébullition. ■ Préchauffer des poêlons/poêles. ■ Brunir ou saisir rapidement les aliments.
<b>MED (moyen)</b>	■ Faire frire ou sauter les aliments. ■ Maintenir une ébullition.
<b>LO (bas)</b>	■ Faire cuire les soupes et les sauces.
<b>Simmer HI (mijotage élevé)</b>	■ Commencer par faire cuire des aliments plus épais tels que sauce tomate, chili, etc.
<b>Simmer LO (mijotage faible)</b>	■ Maintenir un mijotage doux.

#### Réglages de brûleurs à mijotage

##### Réglage :

1. Pousser et tourner le bouton dans le sens antihoraire à LITE.

Tous les brûleurs de surface émettront un déclic. Seul le brûleur dont le bouton de commande est placé sur LITE produira une flamme.

2. Tourner le bouton n'importe où entre HI et LO (élevé et bas) dans le sens antihoraire.

Utiliser le tableau suivant comme guide lors du réglage des niveaux de chaleur.

## Brûleur de professionnel de 15 000 BTU/h

RÉGLAGE	UTILISATION RECOMMANDÉE
<b>LITE (allumage) (léger)</b>	<ul style="list-style-type: none"> <li>■ Allumage du brûleur.</li> </ul>
<b>HI (élevé)</b>	<ul style="list-style-type: none"> <li>■ Démarrer la cuisson des aliments.</li> <li>■ Porter un liquide à ébullition.</li> <li>■ Préchauffer des poêlons/poêles.</li> <li>■ Brunir ou saisir rapidement les aliments.</li> </ul>
<b>MED (moyen)</b>	<ul style="list-style-type: none"> <li>■ Faire frire ou sauter les aliments.</li> <li>■ Maintenir une ébullition.</li> </ul>
<b>LO (bas)</b>	<ul style="list-style-type: none"> <li>■ Faire cuire les soupes et les sauces.</li> <li>■ Faire mijoter ou étuver les aliments.</li> </ul>

## Brûleur pour faire mijoter/fondre de 5 000 BTU/h

RÉGLAGE	UTILISATION RECOMMANDÉE
<b>LITE (allumage) (léger)</b>	<ul style="list-style-type: none"> <li>■ Allumage du brûleur.</li> </ul>
<b>HI (élevé)</b>	<ul style="list-style-type: none"> <li>■ Faire cuire les soupes et les sauces.</li> <li>■ Faire mijoter ou étuver les aliments.</li> </ul>
<b>LO (bas)</b>	<ul style="list-style-type: none"> <li>■ Faire fondre le chocolat ou le beurre.</li> </ul>

**N'OUBLIEZ PAS :** Quand l'appareil est utilisé ou (sur certains modèles) durant le programme d'autonettoyage, toute la surface de la table de cuisson peut devenir chaude.

## Panne de courant

Lors d'une panne de courant prolongée, on peut allumer manuellement les brûleurs de surface. Tenir une allumette allumée près d'un brûleur et tourner le bouton dans le sens antihoraire à HI. Une fois le brûleur allumé, tourner le bouton au réglage souhaité.

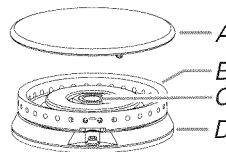
## Surface de la table de cuisson

Essuyer la table de cuisson, les grilles et les chapeaux après chaque utilisation; ceci les protégera contre les taches.

Les renversements d'aliments contenant des produits acides, tels que vinaigre et tomates, doivent être nettoyés dès que l'appareil a refroidi. Ces renversements peuvent affecter le fini.

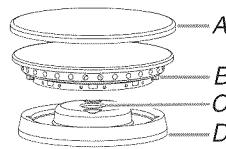
Pour plus de renseignements, voir les sections "Brûleurs de surface scellés" et "Nettoyage général".

## Brûleurs de surface scellés



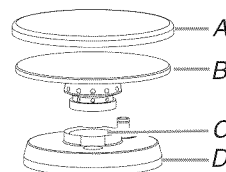
### Brûleur à double flamme Ultra Power™ de 20 000 BTU/h

- A. Chapeau de brûleur
- B. Tête de brûleur
- C. Ouverture de gaz
- D. Base du brûleur



### Brûleur de professionnel de 15 000 BTU/h

- A. Chapeau de brûleur
- B. Tête de brûleur
- C. Ouverture de gaz
- D. Base du brûleur



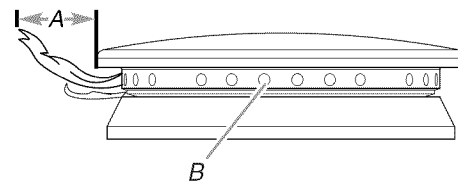
### Brûleur pour faire mijoter/fondre de 5 000 BTU/h

- A. Chapeau de brûleur
- B. Tête de brûleur
- C. Ouverture de gaz
- D. Base du brûleur

**IMPORTANT :** Ne pas entraver l'évacuation de l'air de combustion et de ventilation autour des bords des grilles de brûleur.

**Chapeau de brûleur :** Toujours garder le chapeau de brûleur en place lorsqu'un brûleur de surface est utilisé. Un chapeau de brûleur propre aide à empêcher le mauvais allumage et les flammes irrégulières. Toujours nettoyer le chapeau du brûleur après un renversement; enlever et nettoyer régulièrement les chapeaux tel qu'indiqué à la section "Nettoyage général".

**Ouverture de gaz :** Pour que le brûleur s'allume convenablement, le gaz doit pouvoir circuler librement à travers l'orifice de gaz. Garder cette zone propre et ne pas laisser de renversements, d'aliments, d'agents de nettoyage ou tout autre produit pénétrer dans l'ouverture de gaz. Toujours utiliser un chapeau de brûleur pour protéger l'ouverture de gaz contre tout renversement.



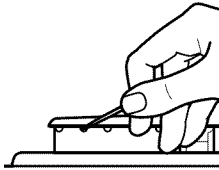
- A. 1 à 1½" (25 à 38 mm)
- B. Orifices de brûleur

**Orifices de brûleur :** Examiner occasionnellement les flammes des brûleurs pour en vérifier la taille et la forme tel qu'indiqué ci-dessus. Une bonne flamme est bleue plutôt que jaune. Garder cette zone propre et ne pas laisser les produits renversés, les aliments, les agents de nettoyage ou tout autre produit pénétrer dans les orifices de brûleur.

## Nettoyage :

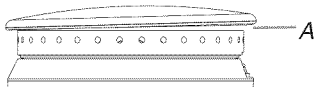
**IMPORTANT :** Avant le nettoyage, s'assurer que toutes les commandes sont éteintes et que le four et la table de cuisson sont froids. Ne pas utiliser de nettoyeurs à four, d'agent de blanchiment ou de décapants à rouille.

1. Ôter le chapeau et la tête de brûleur (brûleurs de 15 000 et de 5 000 BTU/h) de la base du brûleur et nettoyer en suivant les instructions de la section "Nettoyage général".
2. Nettoyer l'ouverture de gaz avec un chiffon humide.
3. Nettoyer les orifices de brûleur obstrués avec une épingle droite tel qu'indiqué. Ne pas agrandir ni déformer l'orifice. Ne pas utiliser un cure-dents en bois. Si le brûleur a besoin d'être ajusté, contacter un technicien de réparation qualifié.



4. Réinstaller le chapeau du brûleur et s'assurer que les tiges d'alignement sont bien alignées avec le chapeau du brûleur.

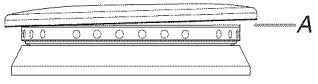
### Brûleur à double flamme Ultra Power™ de 20 000 BTU/h



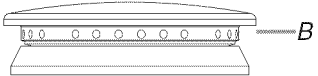
A. Incorrect  
B. Correct



### Brûleur de professionnel de 15 000 BTU/h



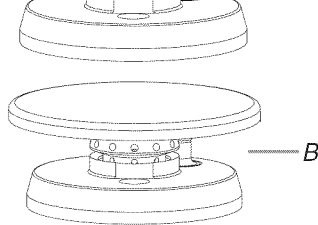
A. Incorrect  
B. Correct



### Brûleur pour faire mijoter/fondre de 5 000 BTU/h

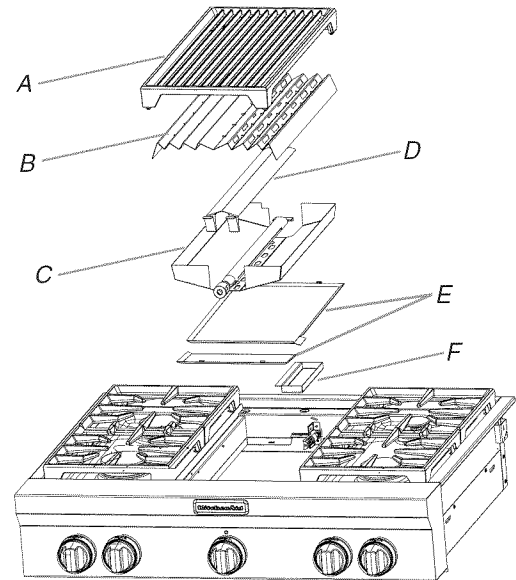


A. Incorrect  
B. Correct



5. Allumer le brûleur. Si le brûleur ne s'allume pas, vérifier l'alignement du chapeau. Si le brûleur ne s'allume toujours pas, ne pas réparer vous-même le brûleur scellé. Contacter un technicien de réparation qualifié.

## Gril (sur certains modèles) SureSear™



A. Grille du gril  
B. Plateau ondulé  
C. Ensemble de brûleur  
D. Répartiteur de flammes  
E. Plateaux à graisse  
F. Plateau d'égouttement

Le module du gril consiste en une grille en fonte, un plateau ondulé, un répartiteur de flammes, un ensemble de brûleur, 2 plateaux à graisse et un plateau d'égouttement. Il est utilisé pour griller les aliments. Se référer au "Tableau de cuisson au gril" pour les durées et réglages de cuisson.

Lors de l'utilisation du gril, suivre les directives ci-dessous.

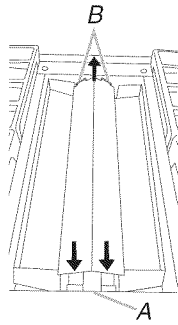
- Enlever l'excès de gras pour réduire les éclaboussures. Entailler le gras résiduel sur les côtés pour éviter que la viande se recroqueville.
- Laisser de la place entre les aliments sur le gril. Placer les aliments trop près les uns des autres entraînera une cuisson irrégulière.
- Utiliser une spatule métallique ou des pinces pour retourner les aliments.
- Les steaks, les côtelettes et les hamburgers ne doivent être retournés qu'une fois afin d'éviter la perte des jus de cuisson.
- Pour une cuisson plus uniforme, les aliments tels que les quarts de poulet doivent être retournés plusieurs fois.
- Pour vérifier le degré de cuisson des viandes et de la volaille, utiliser un thermomètre à lecture instantanée ou faire une petite entaille au centre de l'aliment. Ceci préviendra la perte des jus de cuisson.
- Ne pas laisser le gril sans surveillance lors de la cuisson.
- Ne pas utiliser de papier d'aluminium, de charbon de bois ou copeaux de bois.
- Afin d'éviter d'endommager les ustensiles de cuisson, ne pas les placer sur le gril lorsque celui-ci n'est pas utilisé. Les aliments doivent être cuits directement sur la grille du gril.

Avant de retirer ou de remettre en place le gril, s'assurer que les boutons de commande sont placés à OFF (arrêt). Laisser le gril refroidir complètement avant de le manipuler.



## Dépose :

1. Ôter la grille du gril et le plateau ondulé.
2. Tirer le répartiteur de flammes légèrement vers l'avant pour libérer les onglets des encoches arrière et le soulever.

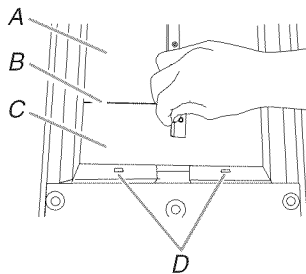


A. Avant du gril  
B. Onglets et encoches arrière

3. Soulever l'ensemble de brûleur et le tirer vers l'extérieur pour l'extraire.

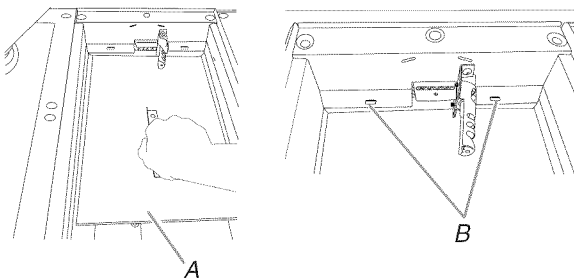
## Dépose des plateaux à graisse :

1. Pour enlever le petit plateau à graisse, décrocher les onglets des encoches et le soulever légèrement pour le dégager du grand plateau à graisse.



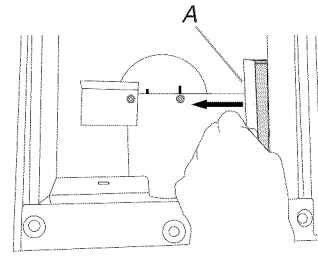
A. Grand plateau à graisse  
B. Connexion du plateau à graisse  
C. Petit plateau à graisse  
D. Encoches

2. Décrocher les onglets des encoches et soulever le grand plateau à graisse.



A. Grand plateau à graisse  
B. Encoches

3. Retirer le plateau d'égouttement.

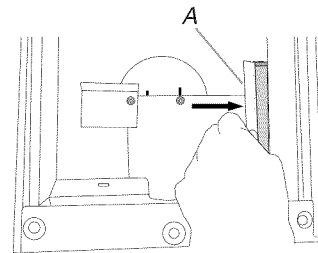


A. Plateau d'égouttement

4. Nettoyer le bac. Voir la section "Nettoyage général".

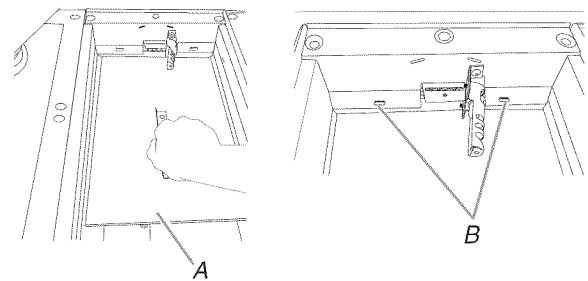
## Réinstallation :

1. Faire glisser le plateau d'égouttement dans l'ouverture du côté droit du bac du gril. Il y a des guides pour s'assurer de la position correcte du plateau d'égouttement.



A. Plateau d'égouttement

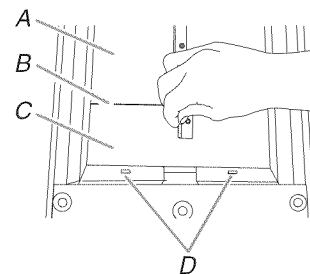
2. Insérer complètement le grand plateau à graisse sous le rebord arrière du bac du gril et l'engager dans les encoches.



A. Grand plateau à graisse  
B. Encoches

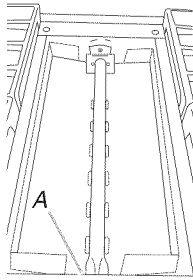
3. Insérer complètement le petit plateau à graisse sous le rebord avant du bac du gril et l'engager dans les encoches.

Lorsque les 2 plateaux à graisse sont correctement installés, le petit plateau à graisse s'emboîte sur le grand plateau à graisse.



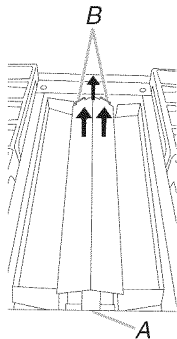
A. Grand plateau à graisse  
B. Connexion du plateau à graisse  
C. Petit plateau à graisse  
D. Encoches

- Insérer le tube à orifices à l'avant de l'ensemble de brûleur, dans l'ouverture située à l'avant du bac du grill et mettre l'ensemble de brûleur en place.



A. Ouverture avant

- Insérer les onglets arrière du répartiteur de flammes dans les encoches à l'arrière du bac du grill et les onglets avant dans les encoches avant.



A. Onglets et encoches avant  
B. Onglets et encoches arrière

- Placer le plateau ondulé par-dessus le répartiteur de flammes.
- Mettre la grille de grill en position.

#### Utilisation :

- Mettre la hotte d'évacuation au-dessus de la cuisinière en marche.
- Si désiré, appliquer une légère couche d'huile végétale ou d'huile de cuisson antiadhésive en aérosol sur la plaque du grill.
- Pousser et tourner le bouton à LITE/HI (faible/élevé). La flamme s'allume en 1 à 4 secondes. Laisser le grill préchauffer pendant 15 minutes.
- Tourner le bouton au réglage de cuisson désiré. Placer les aliments sur le grill.

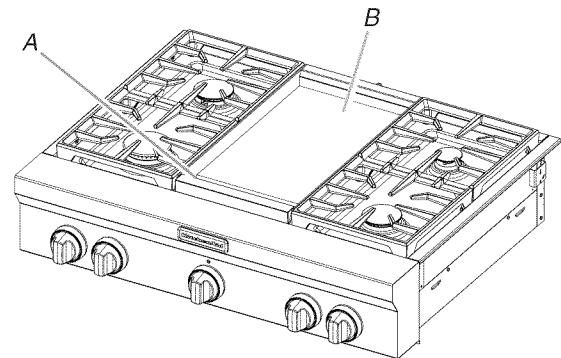
#### TABLEAU DE CUISSON AU GRILL

Les réglages et durées de cuisson sont cités à titre indicatif seulement et peuvent être modifiés en fonction des goûts personnels.

ALIMENT	RÉGLAGE	DURÉE DE CUISSON TOTAL MINUTES
<b>Steak</b>		
1" (2,5 cm)		
à point	MED-HI	16-20
bien cuit	MED-HI	20-30
<b>Galettes de viande hachée</b>		
½ - ¾" (1,3 à 1,9 cm)	MED	20-25

ALIMENT	RÉGLAGE	DURÉE DE CUISSON TOTAL MINUTES
<b>Côtelettes de porc</b>		
1" (2,5 cm)	MED	35-55
<b>Tranches de jambon</b>		
½" (1,3 cm)	MED-HI	8-12
<b>Saucisses de Francfort et Saucisses précuites</b>	MED	8-15
<b>Poulet</b>		
Quarts	MED-LO	50-80
Poitrine, désossée	MED	20-40
<b>Darnes de poisson</b>		
¾ - 1" (1,9 à 2,5 cm) d'épaisseur	MED	10-15

#### Plaque à frire chromée électrique Even-Heat™ (sur certains modèles)



A. Plateau d'égouttement  
B. Plaque à frire

Le système de plaque à frire chromée électrique Even-Heat™ fournit une surface de cuisson à répartition de chaleur uniforme et au nettoyage facile.

- Retirer la pellicule de plastique et nettoyer avec de l'eau chaude et savonneuse avant la première utilisation.
- Afin d'éviter d'égratigner la plaque à frire, ne pas placer de casseroles ou de poêles sur la plaque à frire.
- Afin d'éviter d'égratigner la plaque à frire, utiliser uniquement des ustensiles en plastique ou en bois.
- La surface de la plaque à frire est prête à l'emploi et ne nécessite pas de préparation.
- Le fait de verser de l'eau froide sur une plaque à frire chaude peut déformer la plaque à frire et entraîner une surface de cuisson irrégulière.

#### Utilisation de la plaque à frire :

- Positionner le plateau d'égouttement sous le bord avant de la plaque pour récupérer la graisse et les résidus alimentaires.
- Pousser et tourner le bouton de commande à la température désirée.

3. Consulter le tableau de préchauffage de la plaque à frire pour les durées de préchauffage.

Le témoin lumineux de la plaque à frire s'éteint lorsque le préchauffage de la plaque à frire est terminé. Le témoin lumineux de la plaque à frire s'allume et s'éteint durant l'utilisation pour indiquer que l'élément de la plaque à frire maintient la température de surface sélectionnée.

4. Placer l'aliment sur la plaque et cuire au degré de cuisson désiré.

### Tableaux de cuisson avec plaque à frire

Les réglages et durées de cuisson sont cités à titre indicatif seulement et peuvent être modifiés en fonction des goûts personnels.

#### Tableau de préchauffage

TEMPÉRATURE	DURÉE DE PRÉCHAUFFAGE (en minutes)
250°F (121°C)	10
300°F (149°C)	14
350°F (177°C)	15
400°F (204°C)	20
450°F (232°C)	25
500°F (260°C)	27

#### Tableau de cuisson

ALIMENT	RÉGLAGE	DURÉE DE CUISSON TOTAL MINUTES
Galettes et chapelets de saucisses	325°F (163°C)	12-18
Tranches de bacon	350°F (177°C)	7-11
Tranches de jambon (entièrement cuit)	325°F (163°C)	5-7
Saucisses de Francfort et saucisses précuites	325°F (163°C)	8-15
Galettes de viande hachée	350°F (177°C)	10-15
Sandwiches grillés	325°F (163°C)	3-5
Darnes et filets de poisson	325°F (163°C)	8-15
Oeufs	300°F (149°C)	3-5
Pommes de terre rissolées	204,44°F à 218,33°F (204°C à 218°C)	8-12
Pain doré	350°F (177°C)	5-7
Crêpes	350°F (177°C)	2-4

### Après chaque utilisation :

1. Éteindre la plaque et la laisser refroidir.
2. Gratter les résidus sur la plaque dans le plateau d'égouttement.
3. Rincer la plaque à frire avec de l'eau chaude et savonneuse.
4. Ôter et nettoyer le plateau d'égouttement et la zone située en dessous. Incliner doucement le plateau d'égouttement afin que le contenu ne se renverse pas lorsqu'on le retire.
5. Nettoyer à l'aide d'un tampon à récurer en plastique et de l'eau savonneuse puis rincer à l'eau chaude.
6. Sécher la plaque à frire, le plateau d'égouttement et la zone située en-dessous avec des essuie-tout pour enlever l'excès de graisse et d'huile.

### Ustensiles de cuisson

**IMPORTANT :** Ne pas laisser un ustensile de cuisson vide sur la surface d'une table de cuisson, d'un élément ou d'un brûleur de surface chauds.

Les ustensiles de cuisson idéals doivent avoir un fond plat, des parois droites, un couvercle qui ferme bien et le matériau doit être d'épaisseur moyenne à forte.

Les surfaces rudes peuvent égratigner la table de cuisson ou les grilles. L'aluminium et le cuivre peuvent être employés comme fond ou base dans un ustensile de cuisson. Cependant, utilisés comme base, ils peuvent laisser des marques permanentes sur la table de cuisson ou les grilles.

Le matériau d'un ustensile de cuisson affecte la rapidité et l'uniformité de la transmission de la chaleur, et contribue aux résultats de cuisson. Un fini antiadhésif a les mêmes caractéristiques que son matériau de base. Par exemple, un ustensile de cuisson en aluminium avec un fini antiadhésif aura les propriétés de l'aluminium.

Les ustensiles de cuisson avec surface antiadhésive ne doivent pas être utilisés sous le gril.

Utiliser le tableau suivant comme guide pour les caractéristiques du matériau de l'ustensile de cuisson.

USTENSILE	CARACTÉRISTIQUES
<b>Aluminium</b>	<ul style="list-style-type: none"> <li>■ Chauffe rapidement et uniformément.</li> <li>■ Convient à tous les genres de cuisson.</li> <li>■ L'épaisseur moyenne ou forte convient le mieux pour la plupart des tâches de cuisson.</li> </ul>
<b>Fonte</b>	<ul style="list-style-type: none"> <li>■ Chauffe lentement et uniformément.</li> <li>■ Convient pour le brunissage et la friture.</li> <li>■ Maintient la chaleur pour une cuisson lente.</li> </ul>
<b>Céramique ou vitrocéramique</b>	<ul style="list-style-type: none"> <li>■ Suivre les instructions du fabricant.</li> <li>■ Chauffe lentement mais inégalement.</li> <li>■ Les meilleurs résultats sont obtenus sur les réglages de chaleur basse à moyenne.</li> </ul>
<b>Cuivre</b>	<ul style="list-style-type: none"> <li>■ Chauffe très rapidement et de façon uniforme.</li> </ul>
<b>Terre cuite</b>	<ul style="list-style-type: none"> <li>■ Suivre les instructions du fabricant.</li> <li>■ Utiliser des réglages de température basse.</li> </ul>

USTENSILE	CARACTÉRISTIQUES
<b>Acier émaillé (porcelaine) ou fonte émaillée</b>	<ul style="list-style-type: none"> <li>■ Voir acier inoxydable ou fonte.</li> </ul>
<b>Acier inoxydable</b>	<ul style="list-style-type: none"> <li>■ Chauffe rapidement, mais inégalement.</li> <li>■ Un fond ou une base d'aluminium ou de cuivre sur l'acier inoxydable procure un chauffage uniforme.</li> </ul>

## Préparation de conserves à la maison

Lors de la préparation de conserves pendant de longues périodes, alterner l'utilisation des brûleurs de surface entre les quantités préparées. Cette alternance permet aux dernières surfaces utilisées de refroidir.

- Centrer l'autoclave sur la grille.
- Ne pas placer l'autoclave sur deux brûleurs de surface à la fois.
- Pour plus de renseignements, communiquez avec votre service local d'agriculture. Les compagnies qui fabriquent des produits pour la préparation de conserves peuvent aussi offrir de l'aide.

# ENTRETIEN DE LA TABLE DE CUISSON

## Nettoyage général

**IMPORTANT :** Avant le nettoyage, s'assurer que toutes les commandes sont désactivées et que la table de cuisson est refroidie. Toujours suivre les instructions figurant sur les étiquettes des produits de nettoyage.

Du savon, de l'eau et un chiffon doux ou une éponge sont recommandés à moins d'indication contraire.

### SURFACES EXTERNES EN ÉMAIL VITRIFIÉ

Les renversements d'aliments contenant des produits acides, tels que vinaigre et tomates, doivent être nettoyés dès que l'appareil a refroidi. Ces renversements peuvent affecter le fini.

#### Méthode de nettoyage :

- Nettoyant à vitre, nettoyant doux liquide ou tampon à récurer non abrasif :

Nettoyer doucement autour de la plaque signalétique des numéros de modèle et de série car le frottement pourrait en effacer les chiffres.

### ACIER INOXYDABLE

Ne pas utiliser de tampons à récurer savonneux, de nettoyants abrasifs, de crème à polir pour table de cuisson, de tampons en laine d'acier, de chiffons de lavage rudes ou d'essuie-tout abrasifs. Des dommages peuvent survenir, même en cas d'utilisation limitée ou non renouvelée.

Frotter dans la direction du grain pour éviter les dommages.

#### Méthode de nettoyage :

- Nettoyant et poli pour acier inoxydable KitchenAid® :  
Voir la section "Assistance ou service" pour commander.
- Détergent liquide ou nettoyant tout-usage :  
Rincer à l'eau propre et sécher avec un chiffon doux sans charpie.

### GRILLES ET CHAPEAUX ÉMAILLÉS

Les renversements d'aliments contenant des produits acides, tels que vinaigre et tomates, doivent être nettoyés dès que la table de cuisson, les grilles et les chapeaux ont refroidi. Ces renversements peuvent affecter le fini.

Pour éviter l'écaillage, ne pas entrechoquer les grilles et les chapeaux ni les frapper contre des surfaces dures telles que les ustensiles en fonte.

Ne pas réinstaller les chapeaux sur les brûleurs lorsqu'ils sont mouillés.

Ne pas les nettoyer au moyen du programme d'autonettoyage.

Ne pas nettoyer au lave-vaisselle.

#### Méthode de nettoyage :

- Ustensile de récurage en plastique non abrasif et nettoyant légèrement abrasif :

Nettoyer dès que la table de cuisson, les grilles et les chapeaux ont refroidi.

### BRÛLEURS DE SURFACE

#### Modèles à brûleurs scellés

Voir la section "Brûleurs de surface scellés".

### BOUTONS DE COMMANDE

Afin d'éviter d'endommager les boutons de commande, ne pas utiliser de laine d'acier, de nettoyants abrasifs ou de nettoyant pour four.

Afin d'éviter tout dommage, ne pas immerger les boutons de commande.

Lors de la réinstallation des boutons, s'assurer que chaque bouton est à la position Off (arrêt).

Sur certains modèles, ne pas enlever les joints sous les boutons.

**REMARQUE :** Lors de la réinstallation des boutons après le nettoyage des commandes des brûleurs de surface ou de la commande du module de gril, vérifier que les boutons sont réinstallés à l'emplacement correct. Par exemple, les boutons des commandes de brûleurs de surface doivent afficher "LITE" (allumage), alors que le bouton du gril doit afficher "LITE/HI" (allumage/élevé).

#### Méthode de nettoyage :

- Savon et eau ou lave-vaisselle :

Tirer les boutons directement hors du tableau de commande pour les enlever.

---

## TABLEAU DE COMMANDE

---

Afin d'éviter d'endommager le tableau de commande, ne pas utiliser de nettoyants abrasifs, de tampons en laine d'acier, de chiffons de lavage rudes ou d'essuie-tout abrasifs.

### Méthode de nettoyage :

- Savon et eau.  
Laver, rincer et sécher avec un chiffon doux.
- Nettoyant à vitre et chiffon doux ou éponge :  
Appliquer le nettoyant à vitre sur un chiffon doux ou une éponge, et non pas directement sur le tableau.

---

## MODULE DU GRIL

---

Pour plus de renseignements, voir la section "Grill".

Afin d'éviter d'endommager le grill, ne pas utiliser de nettoyants pour four, de brosses métalliques, de tampons à récurer abrasifs ou d'autres récurants conçus pour le nettoyage de grils d'extérieur.

### Grille du grill

Ne pas laver la grille du grill au lave-vaisselle.

Ne pas la nettoyer dans un four autonettoyant.

- Nettoyer la grille du grill peu de temps après avoir terminé la cuisson et éteint le brûleur.
- Nettoyer la grille du grill pendant qu'elle est encore chaude à l'aide d'une brosse pour barbecue à poils doux. On peut porter des mitaines de four pendant le nettoyage.
- Pour un nettoyage en profondeur de la grille de grill, la faire tremper dans de l'eau tiède et savonneuse pendant 30 minutes. Après le trempage, frotter avec un tampon non abrasif.

### Plateau et plaque ondulés

- Faire tremper dans de l'eau tiède et savonneuse pour désincruster la saleté. Après le trempage, frotter avec un tampon non abrasif.

- Nettoyant à four.

### Ensemble de brûleur

Ne pas tremper dans l'eau.

- Savon et eau ou nettoyant non abrasif.
- Chiffon humide ou tampon non abrasif.

### Protecteur avant anti-éclaboussement et plateau d'égouttement

Laisser la table de cuisson refroidir complètement avant le nettoyage.

- Savon et eau ou nettoyant non abrasif.
- Chiffon humide ou tampon non abrasif.

### Bac du module

- Eau tiède savonneuse.
- Tampon non abrasif ou éponge.
- En cas de saleté importante, faire tremper des essuie-tout dans du nettoyant ménager et les placer sur les saletés pendant au moins une demi-heure. Après le trempage, frotter avec un tampon non abrasif.

---

## MODULE DE LA PLAQUE À FRIRE

---

Ne pas attendre trop longtemps après le retrait des aliments et le refroidissement de la plaque pour la nettoyer.

### Méthode de nettoyage :

- Eau chaude savonneuse et/ou tampon à récurer en plastique
- Après le nettoyage, sécher la surface avec un essuie-tout.

### Plateau d'égouttement et zone située sous le plateau

Laisser la table de cuisson refroidir complètement avant le nettoyage.

### Méthode de nettoyage :

- Eau tiède savonneuse ou nettoyant non abrasif.
- Chiffon humide ou tampon non abrasif.
- Sécher complètement avant de placer le plateau d'égouttement en position.

---

# DÉPANNAGE

Essayer les solutions suggérées ici d'abord afin d'éviter le coût d'une visite de service non nécessaire.

---

## Rien ne fonctionne

---

- **Un fusible du domicile est-il grillé ou le disjoncteur s'est-il déclenché?**  
Remplacer le fusible ou réenclencher le disjoncteur. Si le problème persiste, appeler un électricien.

---

## Les brûleurs de surface ne fonctionnent pas

---

- **Est-ce la première fois que les brûleurs de surface sont utilisés?** Allumer n'importe quel brûleur de surface pour libérer l'air des canalisations de gaz.
- **Le bouton de commande est-il réglé correctement?**  
Pousser sur le bouton avant de le tourner à un réglage.
- **Les orifices des brûleurs sont-ils obstrués?**  
Sur les modèles à brûleurs scellés, voir la section "Brûleurs de surface scellés".

---

## Les flammes des brûleurs de surface ne sont pas uniformes, sont de teinte jaune et/ou bruyantes

---

- **Les orifices des brûleurs sont-ils obstrués?**  
Sur les modèles à brûleurs scellés, voir la section "Brûleurs de surface scellés".
- **Sur les modèles à chapeau, les chapeaux des brûleurs sont-ils bien installés?**  
Voir la section "Brûleurs de surface scellés".
- **Utilise-t-on du gaz propane?**  
L'appareil a peut-être été converti incorrectement. Contacter un technicien de réparation qualifié.

---

## Le brûleur de surface émet des bruits d'éclatement

---

- **Le brûleur est-il mouillé?**  
Le laisser sécher.

---

### Le brûleur émet des étincelles, mais ne s'allume pas.

---

- **Y a-t-il une production continue d'étincelles sans que le brûleur ne s'allume?**  
Discontinuer l'utilisation du brûleur de surface et contacter un technicien de service.

---

### Chaleur excessive autour des ustensiles de cuisson sur la table de cuisson

---

- **L'ustensile de cuisson est-il de dimension appropriée?**  
Utiliser un ustensile de cuisson à peu près de la même dimension que la surface de cuisson. L'ustensile de cuisson ne doit pas dépasser de plus de ½" (1,3 cm) à l'extérieur de la zone de cuisson.

---

### Les résultats de cuisson sur la table de cuisson ne sont pas les résultats prévus

---

- **Utilise-t-on un ustensile de cuisson approprié?**  
Voir la section "Ustensiles de cuisson".

- **Le bouton de commande est-il réglé au niveau approprié de chaleur?**  
Voir la section "Commandes de la table de cuisson".
- **La table de cuisson est-elle d'aplomb?**  
Niveler la table de cuisson. Voir les Instructions d'installation.

---

### Les résultats de cuisson avec le gril et la plaque à frire ne sont pas les résultats prévus

---

- **Le gril ou la plaque à frire a-t-il/elle été préchauffé(e)?**  
Préchauffer le gril ou la plaque à frire. Voir les sections "Gril SureSeal™" ou "Plaque à frire chromée électrique Even-Heat™" pour en savoir plus.
- **Existe-t-il une circulation d'air appropriée autour des aliments?**  
Espacer les aliments uniformément sur les grilles du gril.
- **La cuisson des aliments prend-elle trop de temps?**  
Les aliments partiellement congelés ou très froids augmenteront la durée de cuisson. Décongeler complètement les aliments.

---

## ASSISTANCE OU SERVICE

Avant de faire un appel pour assistance ou service, veuillez vérifier la section "Dépannage". Cette vérification peut vous faire économiser le coût d'une visite de service. Si vous avez encore besoin d'aide, suivez les instructions ci-dessous.

Lors d'un appel, veuillez connaître la date d'achat, le numéro de modèle et le numéro de série au complet de l'appareil. Ces renseignements nous aideront à mieux répondre à votre demande.

### Si vous avez besoin de pièces de rechange

Si vous avez besoin de commander des pièces de rechange, nous vous recommandons d'employer uniquement des pièces spécifiées par l'usine. Les pièces spécifiées par l'usine fonctionneront bien parce qu'elles sont fabriquées avec la même précision que celle utilisée dans la fabrication de chaque nouvel appareil KITCHENAID®.

Pour localiser des pièces spécifiées par l'usine dans votre région, nous appelons ou contacter le centre de service désigné KitchenAid le plus proche.

Veuillez appeler sans frais le Centre pour l'eXpérience de la clientèle de KitchenAid Canada au : **1-800-807-6777**.

### Nos consultants vous renseigneront sur les sujets suivants :

- Caractéristiques et spécifications sur toute notre gamme d'appareils électroménagers.
- Consignes d'utilisation et d'entretien.
- Vente d'accessoires et de pièces de rechange.
- Références aux marchands locaux, aux distributeurs de pièces de rechange et aux compagnies de service. Les techniciens de service désignés par KitchenAid Canada sont formés pour remplir la garantie des produits et fournir un service après la garantie, partout au Canada.

### Pour plus d'assistance

Si vous avez besoin de plus d'assistance, vous pouvez soumettre par écrit toute question ou préoccupation à KitchenAid Canada à l'adresse suivante :

Centre pour l'eXpérience de la clientèle  
KitchenAid Canada  
1901 Minnesota Court  
Mississauga, Ontario L5N 3A7

Veuillez inclure dans votre correspondance un numéro de téléphone où l'on peut vous joindre dans la journée.

---

## Accessoires

### Nettoyant et poli pour acier inoxydable KitchenAid®

Commander la pièce numéro 4396920

### Chiffons pour acier inoxydable KitchenAid®

Commander la pièce numéro 8212510

### Nettoyant pour table de cuisson

Commander la pièce numéro 31464

### Protecteur de table de cuisson

Commander la pièce numéro 31463

### Nettoyant pour grille et plateau d'égouttement

Commander la pièce numéro 31617

### Nettoyant tout-usage pour appareils ménagers

Commander la pièce numéro 31682

### Plaque à frire

Commander la pièce numéro W10190534

### Couvercle du gril et de la plaque à frire

Commander la pièce numéro W10160195

### Cerclage de wok

Commander la pièce numéro W10216179

**Boutons en acier inoxydable - brûleur 6 / grill 1 / plaque à frire 1**

Commander la pièce numéro W10231704

**Boutons en acier inoxydable - brûleur 4 / grill 1 / plaque à frire 1**

Commander la pièce numéro W10231703

**Boutons en acier inoxydable - brûleur 4**

Commander la pièce numéro W10231702

**Dosseret réglable de 19<sup>1</sup>/<sub>16</sub>" (50,0 cm) à 39" (99,0 cm) pour cuisinières de 30" (76,2 cm)**

Commander la pièce numéro 8285148

**Dosseret réglable de 19<sup>1</sup>/<sub>16</sub>" (50,0 cm) à 39" (99,0 cm) pour cuisinières de 36" (91,4 cm)**

Commander la pièce numéro 8284756

**Dosseret réglable de 19<sup>1</sup>/<sub>16</sub>" (50,0 cm) à 39" (99,0 cm) pour cuisinières de 48" (121,9 cm)**

Commander la pièce numéro 8284755

**Dosseret de 9" (22,9 cm) pour cuisinières de 30" (76,2 cm)**

Commander la pièce numéro W10115773

**Dosseret de 9" (22,9 cm) pour cuisinières de 36" (91,4 cm)**

Commander la pièce numéro W10115776

**Dosseret de 9" (22,9 cm) pour cuisinières de 48" (121,9 cm)**

Commander la pièce numéro W10115777

**Dosseret de 22" (55,9 cm) avec tablette pour cuisinières et tables de cuisson de 30" (76,2 cm)**

Commander la pièce numéro W10225950

**Dosseret de 22" (55,9 cm) avec tablette pour cuisinières et tables de cuisson de 36" (91,4 cm)**

Commander la pièce numéro W10225949

**Dosseret de 22" (55,9 cm) avec tablette pour cuisinières et tables de cuisson de 48" (121,9 cm)**

Commander la pièce numéro W10225948

---

## GARANTIE DE LA TABLE DE CUISSON KITCHENAID®

---

### GARANTIE LIMITÉE

Pendant un an à compter de la date d'achat, lorsque ce gros appareil ménager est utilisé et entretenu conformément aux instructions jointes à ou fournies avec le produit, la marque KitchenAid de Whirlpool Corporation ou Whirlpool Canada LP (ci-après désignées "KitchenAid") paiera pour les pièces spécifiées par l'usine et la main-d'œuvre pour corriger les vices de matériaux ou de fabrication. Le service doit être fourni par une compagnie de service désignée par KitchenAid. Cette garantie limitée est valide uniquement aux États-Unis ou au Canada et s'applique exclusivement lorsque l'appareil est utilisé dans le pays où il a été acheté. À l'extérieur du Canada et des 50 États des États-Unis, cette garantie limitée ne s'applique pas. Une preuve de la date d'achat original est exigée pour obtenir un service dans le cadre de la présente garantie limitée.

---

### GARANTIE LIMITÉE DE LA DEUXIÈME À LA CINQUIÈME ANNÉE INCLUSIVEMENT SUR CERTAINS COMPOSANTS

De la deuxième à la cinquième année inclusivement à compter de la date d'achat, lorsque cet appareil ménager est utilisé et entretenu conformément aux instructions jointes à ou fournies avec le produit, KitchenAid ou KitchenAid Canada paiera pour les pièces spécifiées par l'usine pour les composants suivants, en cas de vices de matériaux ou de fabrication :

- Éléments électriques
- Brûleurs à gaz
- Pièces du système de commande à semi-conducteurs
- Toute fissuration du joint d'étanchéité en caoutchouc entre la table de cuisson en vitrocéramique et le bord en porcelaine
- Toute fissuration de la table de cuisson en vitrocéramique due à un choc thermique
- Éléments de l'unité de surface

---

### ARTICLES EXCLUS DE LA GARANTIE

La présente garantie limitée ne couvre pas :

1. Les visites de service pour rectifier l'installation du gros appareil ménager, montrer à l'utilisateur comment utiliser l'appareil, remplacer ou réparer des fusibles ou rectifier le câblage ou la plomberie du domicile.
2. Les visites de service pour réparer ou remplacer les ampoules électriques de l'appareil, les filtres à air ou les filtres à eau. Les pièces consommables ne sont pas couvertes par la garantie.
3. Les réparations lorsque le gros appareil ménager est utilisé à des fins autres que l'usage unifamilial normal ou lorsque les instructions d'installation et/ou les instructions de l'opérateur ou de l'utilisateur fournies ne sont pas respectées.
4. Les dommages imputables à : accident, modification, usage impropre ou abusif, incendie, inondation, actes de Dieu, installation fautive ou installation non conforme aux codes d'électricité ou de plomberie, ou l'utilisation de pièces consommables ou de produits nettoyants non approuvés par KitchenAid.
5. Les défauts apparents, notamment les éraflures, les bosses, fissures ou tout autre dommage au fini du gros appareil ménager, à moins que ces dommages soient dus à des vices de matériaux ou de fabrication et soient signalés à KitchenAid dans les 30 jours suivant la date d'achat.
6. Les coûts associés au transport du gros appareil ménager du domicile pour réparation. Ce gros appareil ménager est conçu pour être réparé à domicile et seul le service à domicile est couvert par la présente garantie.
7. Les réparations aux pièces ou systèmes résultant d'une modification non autorisée faite à l'appareil.
8. Les frais de transport pour le service d'un produit si votre gros appareil est situé dans une région éloignée où un service d'entretien KitchenAid autorisé n'est pas disponible.

9. La dépose et la réinstallation de votre gros appareil si celui-ci est installé dans un endroit inaccessible ou n'est pas installé conformément aux instructions d'installation fournies.
10. Les gros appareils ménagers dont les numéros de série et de modèle originaux ont été enlevés, modifiés ou qui ne peuvent pas être facilement identifiés. La présente garantie est nulle si le numéro de série d'usine a été modifié ou enlevé du gros appareil ménager. Le coût d'une réparation ou des pièces de rechange dans le cadre de ces circonstances exclues est à la charge du client.

---

**CLAUSE D'EXONÉRATION DE RESPONSABILITÉ AU TITRE DES GARANTIES IMPLICITES; LIMITATION DES RECOURS**  
LE SEUL ET EXCLUSIF RECOURS DU CLIENT DANS LE CADRE DE LA PRÉSENTE GARANTIE LIMITÉE CONSISTE EN LA RÉPARATION PRÉVUE CI-DESSUS. LES GARANTIES IMPLICITES, Y COMPRIS LES GARANTIES APPLICABLES DE QUALITÉ MARCHANDE ET D'APTITUDE À UN USAGE PARTICULIER, SONT LIMITÉES À UN AN OU À LA PLUS COURTE PÉRIODE AUTORISÉE PAR LA LOI. KITCHENAID N'ASSUME AUCUNE RESPONSABILITÉ POUR LES DOMMAGES FORTUITS OU INDIRECTS. CERTAINES JURIDICTIONS NE PERMETTENT PAS L'EXCLUSION OU LA LIMITATION DES DOMMAGES FORTUITS OU INDIRECTS, OU LES LIMITATIONS DE LA DURÉE DES GARANTIES IMPLICITES DE QUALITÉ MARCHANDE OU D'APTITUDE À UN USAGE PARTICULIER, DE SORTE QUE CES EXCLUSIONS OU LIMITATIONS PEUVENT NE PAS S'APPLIQUER DANS VOTRE CAS. CETTE GARANTIE VOUS CONFÈRE DES DROITS JURIDIQUES SPÉCIFIQUES ET VOUS POUVEZ ÉGALEMENT JOUIR D'AUTRES DROITS QUI PEUVENT VARIER D'UNE JURIDICTION À UNE AUTRE.

---

Si vous résidez à l'extérieur du Canada et des 50 États des États-Unis, contactez votre marchand KitchenAid autorisé pour déterminer si une autre garantie s'applique.

Si vous avez besoin de service, voir d'abord la section "Dépannage" du Guide d'utilisation et d'entretien. Après avoir vérifié la section "Dépannage", de l'aide supplémentaire peut être trouvée en vérifiant la section "Assistance ou service" ou en appelant KitchenAid. Aux É.-U., composer le **1-800-422-1230**. Au Canada, composer le **1-800-807-6777**. 1/08

---

**Conservez ce manuel et votre reçu de vente ensemble pour référence ultérieure. Pour le service sous garantie, vous devez présenter un document prouvant la date d'achat ou d'installation.**

Inscrivez les renseignements suivants au sujet de votre gros appareil ménager pour mieux vous aider à obtenir assistance ou service en cas de besoin. Vous devrez connaître le numéro de modèle et le numéro de série au complet. Vous trouverez ces renseignements sur la plaque signalétique située sur le produit.

Nom du marchand \_\_\_\_\_  
Adresse \_\_\_\_\_  
Numéro de téléphone \_\_\_\_\_  
Numéro de modèle \_\_\_\_\_  
Numéro de série \_\_\_\_\_  
Date d'achat \_\_\_\_\_