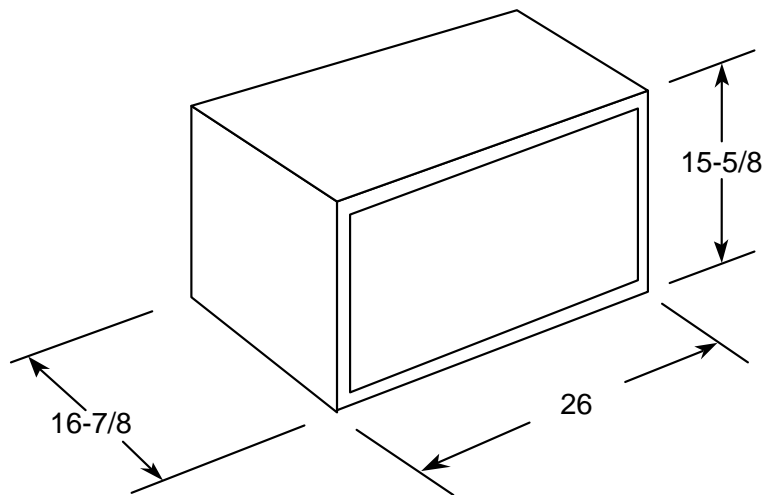




GE Appliances

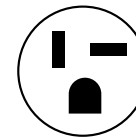
AJJ09DF—"J Series" Heat/Cool Unit

Wall Case Dimensions (in inches)



Note: When installing units in through-the-wall applications. Do not restrict air flow areas.

Perpendicular



230/208V
20 Amp

For answers to your GE Monogram™, GE Profile™, GE, Hotpoint and RCA appliance questions, call GE Answer Center® service, 800.626.2000.



Total capacity and E.E.R. ratings are calculated based on the Association of Home Appliance Manufacturers' standards.



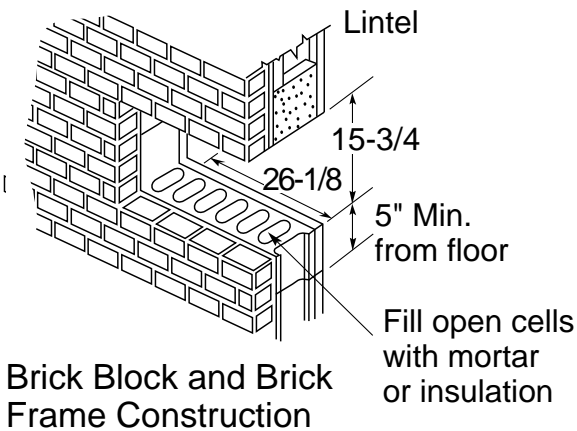
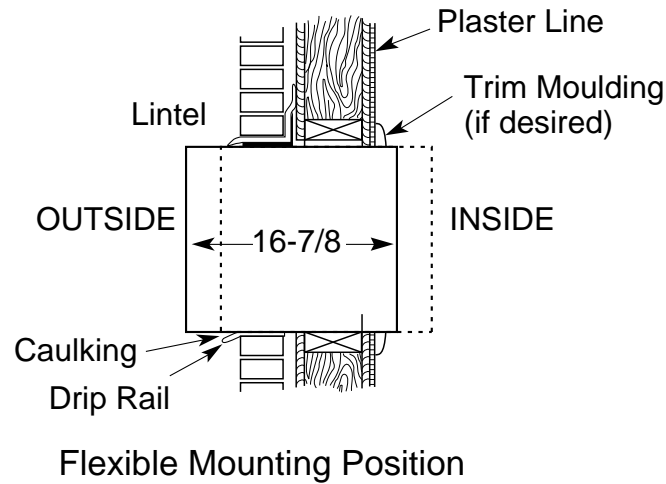
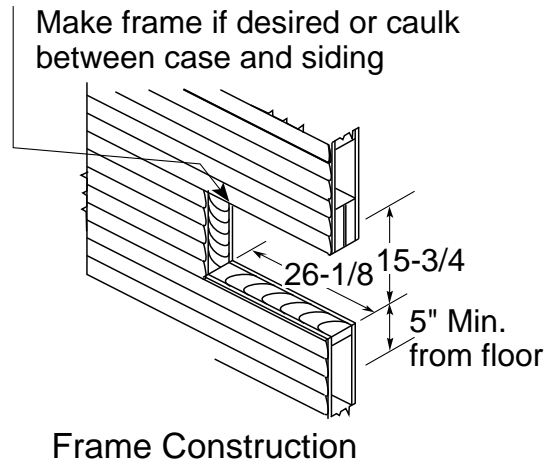
Listed by Underwriters Laboratories



GE Appliances

AJJ09DF—Built-In Room Air Conditioner RAB46/47/48

Dimensions (in inches)



Installation Information: A finished opening of 26-1/8" x 15-3/4" clear of intrusions is required. Keep clearance of 4" from side walls. Brick veneer or frame walls should have wood studding surrounding case to provide firm anchoring with screws. Case can be fastened directly to brick or block walls with screws sunk in lead expansion shields.

For answers to your GE Monogram™, GE Profile™, GE, Hotpoint and RCA appliance questions, call GE Answer Center® service, 800.626.2000.



Total capacity and E.E.R. ratings are calculated based on the Association of Home Appliance Manufacturers' standards.



Listed by Underwriters Laboratories



GE Appliances

AJJ09DF—"J Series" Heat/Cool Unit



Features and Benefits

- Decorative Warm Gray-Beige Front
- 8,600/8,500 BTUH (Cooling), 11,250/9,200 BTUH (Electric Heat), 8.7/8.7 EER, 230/208 Volts
- Hidden Energy Saver Switch for Reduced Energy Consumption
- 10-Position Thermostat
- 2 Cooling/2 Heat/2 Fan Speeds
- Includes Two-Stage Heating Thermostat
- Slide-Out Filter for Easy Cleaning
- Hidden Exhaust Control for Air Exchange
- Slide-Out Chassis
- Chassis Only—Without Wall Case and Mounting Kit
- Wall Case—Optional Accessory
- Window Mounting Kit—Optional Accessory
- Plug Type—Perpendicular