

KitchenAid® Pro Line® Front-Loading Gas Dryer

PRODUCT MODEL NUMBERS

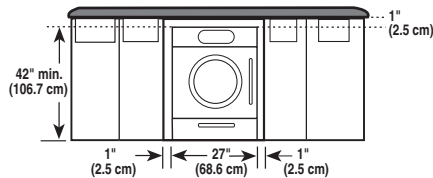
KHGV01R

Electrical: A 3 or 4 wire, single phase, 120/240 volt 60 Hz, AC only electrical supply (or 3 or 4 wire, 120/208 volt electrical supply, if specified on the serial/rating plate) on a separate 30-amp circuit, fused on both sides of the line. A time-delay fuse or circuit breaker is recommended. Connect to an individual branch circuit. Do not have a fuse in the neutral or grounding circuit.

Exhaust venting: Exhaust your dryer to the outside. Four inch diameter vent is required. Rigid or flexible metal exhaust vent must be used. Do not use plastic or metal foil vent. Exhaust outlet hood must be at least 12 inches from the ground or any object that may be in the path of the exhaust.

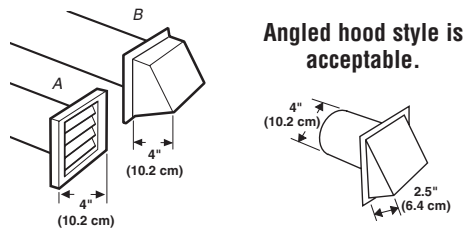
UNDERCOUNTER INSTALLATION

Dimensions shown are for minimum spacing.



EXHAUST VENTING

Recommended hood style



A. Louvered hood style
B. Box hood style

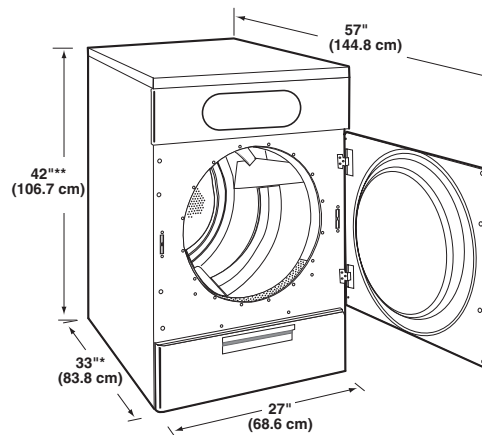
Vent system chart 1 - rigid metal vent only

Number of 90° turns or elbows	Type of vent	Box or louvered hoods	Angled hoods
0	Rigid metal	174 ft (53.0 m)	168 ft (51.2 m)
1	Rigid metal	164 ft (50.0 m)	158 ft (48.0 m)
2	Rigid metal	154 ft (46.9 m)	148 ft (45.1 m)
3	Rigid metal	145 ft (44.2 m)	139 ft (42.4 m)
4	Rigid metal	137 ft (41.8 m)	131 ft (39.9 m)

Vent system chart 2 - rigid metal vent used with a maximum of 8 ft (2.4 m) flexible metal vent

Number of 90° turns or elbows	Type of vent	Box or louvered hoods	Angled hoods
0	Rigid metal	144 ft (43.9 m)	138 ft (42.1 m)
1	Rigid metal	134 ft (40.8 m)	128 ft (39.0 m)
2	Rigid metal	125 ft (38.1 m)	119 ft (36.3 m)
3	Rigid metal	117 ft (35.7 m)	111 ft (33.8 m)

OVERALL DIMENSIONS



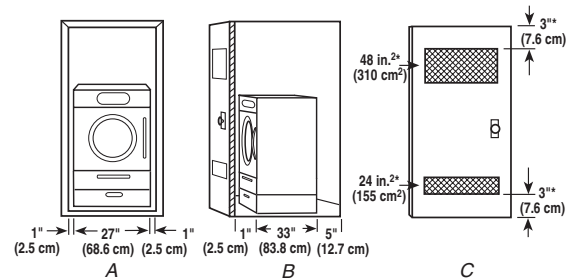
*Includes door handle

**Includes feet extended 1" (2.5 cm)

NOTE: Most installations require a minimum 5" (12.7 cm) clearance behind the dryer for the exhaust vent with elbow. See Installations Instructions, "Venting Requirements."

RECESSED AREA AND CLOSET INSTALLATION WITH OR WITHOUT PEDESTAL

For closet installation, with a door, the minimum ventilation openings in the top and bottom of the door are required. Louvered doors with equivalent air ventilation openings in the top and bottom are acceptable.

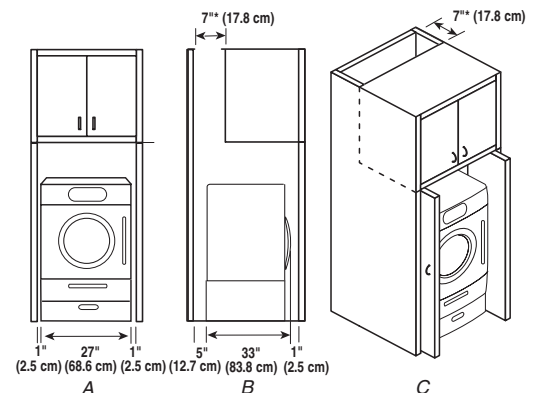


A. Front view
B. Side view - closet or confined area
C. Closet door with vents

*Required spacing

Recommended installation spacing for cabinet installation

For cabinet installation, with a door, the minimum ventilation openings in the top are required.



A. Front view
B. Side view
C. Cabinet with vents

- Select the route that will provide the straightest and most direct path outdoors.
- Plan the installation to use the fewest number of elbows and turns. Use the fewest 90° turns possible.
- Do not use vent runs longer than specified in vent length chart.
- Determine the number of elbows you will need.