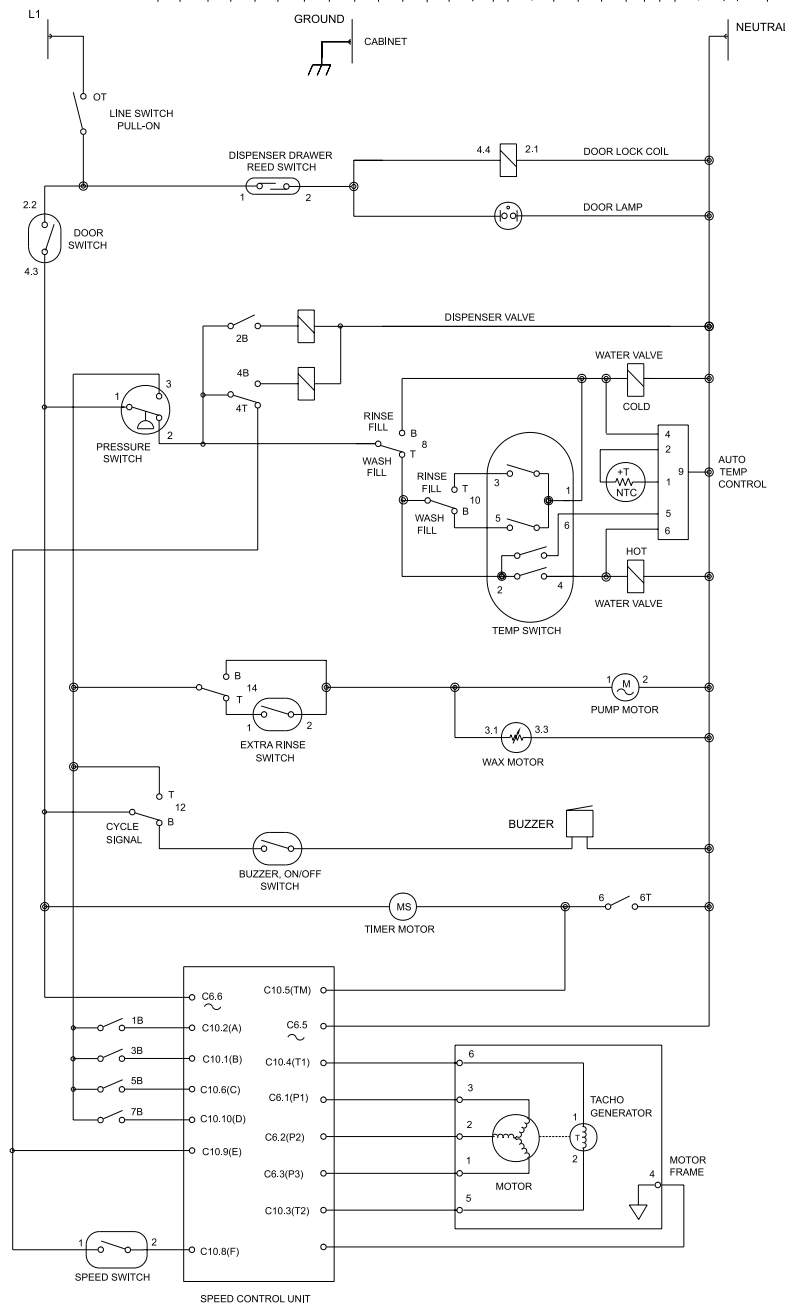


STEP NO.	TERM.	CIRCUIT	REGULAR				QUICK WASH			EASY CARE			DELICATE & HAND WASH CYCLE					
			WASH	RINSE & SPIN	FINAL SPIN	OFF	WASH	RINSE & SPIN	FINAL SPIN	OFF	WASH	RINSE & SPIN	FINAL SPIN	OFF	WASH	RINSE & SPIN	FINAL SPIN	OFF
0/0	T	DETENT																
0	2	1 T MACHINE POWER																
1	23	22 T CODE A																
2	5	4 T SOLENOID 2																
3	23	19 T CODE B																
4	5	7 T CODE E																
5	23	9 B SOLENOID 1																
6	11	16 T CODE C																
7	23	10 T TM DIRECT																
8	14	12 B WASH WATER-MAN																
9	23	10 T RINSE WATER-MAN																
10	17	12 B * WASH LAMP																
11	23	16 T RINSE WATER TEMP																
12	20	18 B WASH WATER TEMP																
13	23	7 T * RINSE LAMP																
14	19	9 B * FINAL SPIN LAMP																
15	20	19 T PRESS SW. BYPASS																
16	21	21 B BUZZER																
17	19	22 T DRAIN PUMP-EX R.																
18	24	24 B DRAIN PUMP																

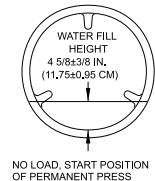
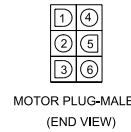
* CIRCUIT NOT USED IN ALL MODELS.
STEP TIME (MIN.)



ELECTRICAL COMPONENT	RESISTANCE Ω @ 77°F (25 @ 77°C)
WATER VALVE SOLENOIDS	880 \pm 10%
DOOR LOCK SOLENOID	380 \pm 10%
TIMER MOTOR	2425 \pm 6%
PUMP MOTOR	15 \pm 7%
DISPENSER VALVE SOLENOIDS	1100 \pm 7%
MOTOR	
M1 TO M2	2.6 \pm 7%
M2 TO M3	2.6 \pm 7%
M1 TO M3	2.6 \pm 7%
M5 TO M6	184 \pm 7%

WASH/RINSE	1-3	1-5	2-6	2-4
H/C			X	X
W/C *		X		X
C/C *	X	X	X	X
W/W *	X	X	X	X
REG C/C		X	X	X
REG W/C	X		X	X
REG W/W	X		X	X

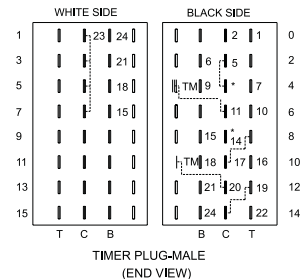
H=HOT W=WARM C=COLD
REG=REGULATED X=CLOSED
*OPTIONAL (NOT IN ALL MODELS)



+	CONNECTION
+	NO CONNECTION
⏏	CABINET GROUND
⏏	LOCAL GROUND

CIRCUIT	1-2
NORMAL	X
FAST	

X = CONTACTS CLOSED



WARNING TO REDUCE THE RISK OF ELECTRICAL SHOCK DISCONNECT THIS APPLIANCE FROM THE POWER SUPPLY BEFORE ATTEMPTING ANY USER MAINTENANCE. TURNING THE CONTROLS TO THE OFF POSITION DOES NOT DISCONNECT THIS APPLIANCE FROM THE POWER SUPPLY.