

# KitchenAid® Refrigerator

## PRODUCT MODEL NUMBERS

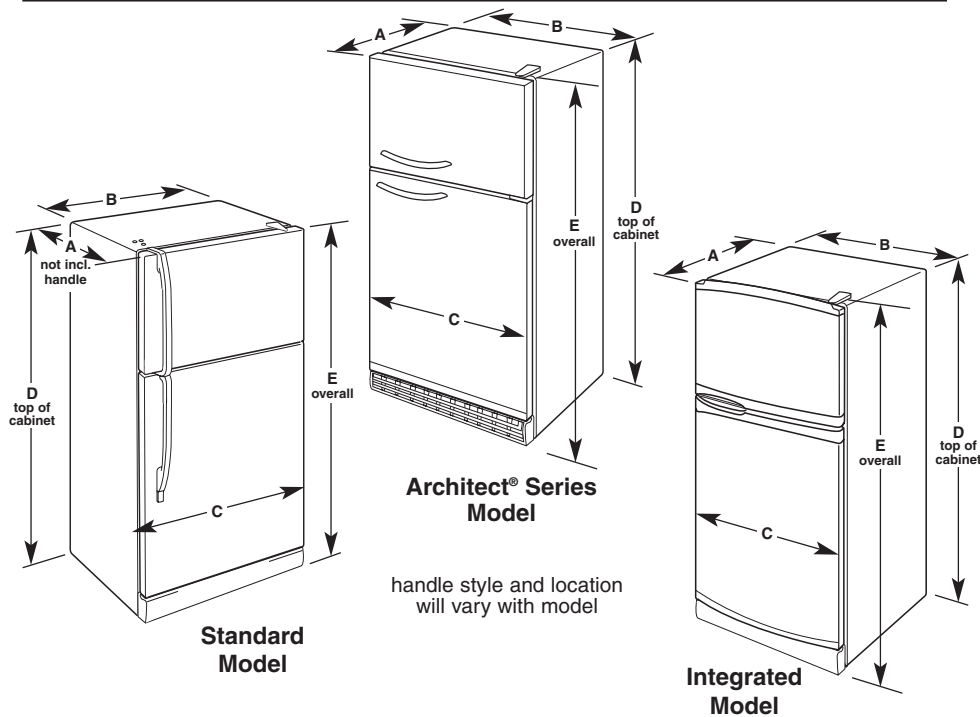
KTLA19KR      KTRC22EM  
 KTLA22EM      KTRP19KR  
 KTRA19EM      KTRP22EM  
 KTRA19KR      KTRP22KR  
 KTRA22EM

**Electrical:** A 115 Volt, 60 Hz., AC only 15- or 20-amp fused, grounded electrical supply is required. It is recommended that a separate circuit serving only your refrigerator be provided. Use an outlet that cannot be turned off by a switch. Do not use an extension cord.

**Water:** Connect the ice maker to a cold water line with water pressure between 30 and 120 psi. If a reverse osmosis water filtration system is connected to your cold water supply, the water pressure to the system needs to be a minimum of 40 to 60 psi (276 - 414 kPa).

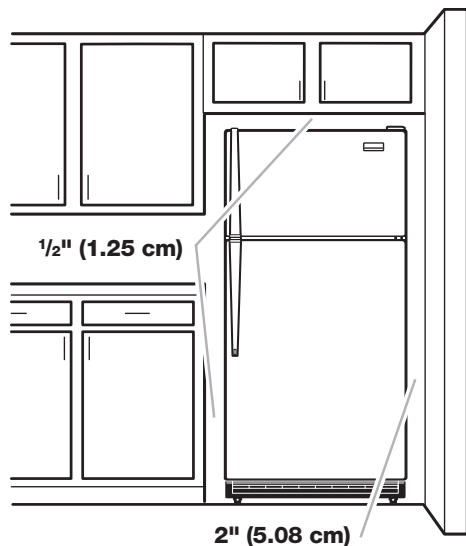
**IMPORTANT:** The pressure of the water coming out of a reverse osmosis system going to the water inlet valve of the refrigerator needs to be between 30 and 120 psi (207 - 827 kPa).

## OVERALL DIMENSIONS



Model size	Depth "A"	Cab. Width "B"	Door Width "C"	Cab. Height "D"	Overall Height "E"
<b>STANDARD MODELS</b>					
19 cu.ft.	30 3/4"	29 1/2"	29 3/4"	65 1/2"	66 1/4"
22 cu.ft.	30 3/4"	32 1/2"	32 3/4"	65 1/2"	66 1/4"
<b>INTEGRATED MODELS</b>					
22 cu.ft.	31 1/2"	32 1/2"	33 1/8"	65 1/2"	66 1/2"
<b>ARCHITECT® SERIES MODELS</b>					
19 cu.ft.	32 7/8"	29 1/2"	29 3/4"	65 1/2"	66 1/4"
22 cu.ft.	32 7/8"	32 1/2"	32 3/4"	65 1/2"	66 1/4"

## LOCATION REQUIREMENTS



To ensure proper ventilation for your refrigerator, allow for 1/2 in. (1.25 cm) space on each side and at the top. (At the top, when using half depth cabinet, use top of cabinet height "D" dimension. When using full depth cabinet, use overall "E" dimension.) When installing your refrigerator next to a fixed wall, leave 2 in. (5.08 cm) minimum on each side (depending on your model) to allow for the door to swing open. If your refrigerator has an ice maker, allow extra space at the back for the water line connections.

NOTE: Do not install the refrigerator near an oven, radiator, or other heat source, nor in a location where the temperature will fall below 55°F (13°C).