

30" GAS RANGE INSTALLATION INSTRUCTIONS

(For Models with Sealed Top Burners)

INSTALLATION AND SERVICE MUST BE PERFORMED BY A QUALIFIED INSTALLER.
IMPORTANT: SAVE FOR LOCAL ELECTRICAL INSPECTOR'S USE.
READ AND SAVE THESE INSTRUCTIONS FOR FUTURE REFERENCE.

⚠ WARNING If the information in this manual is not followed exactly, a fire or explosion may result causing property damage, personal injury or death.



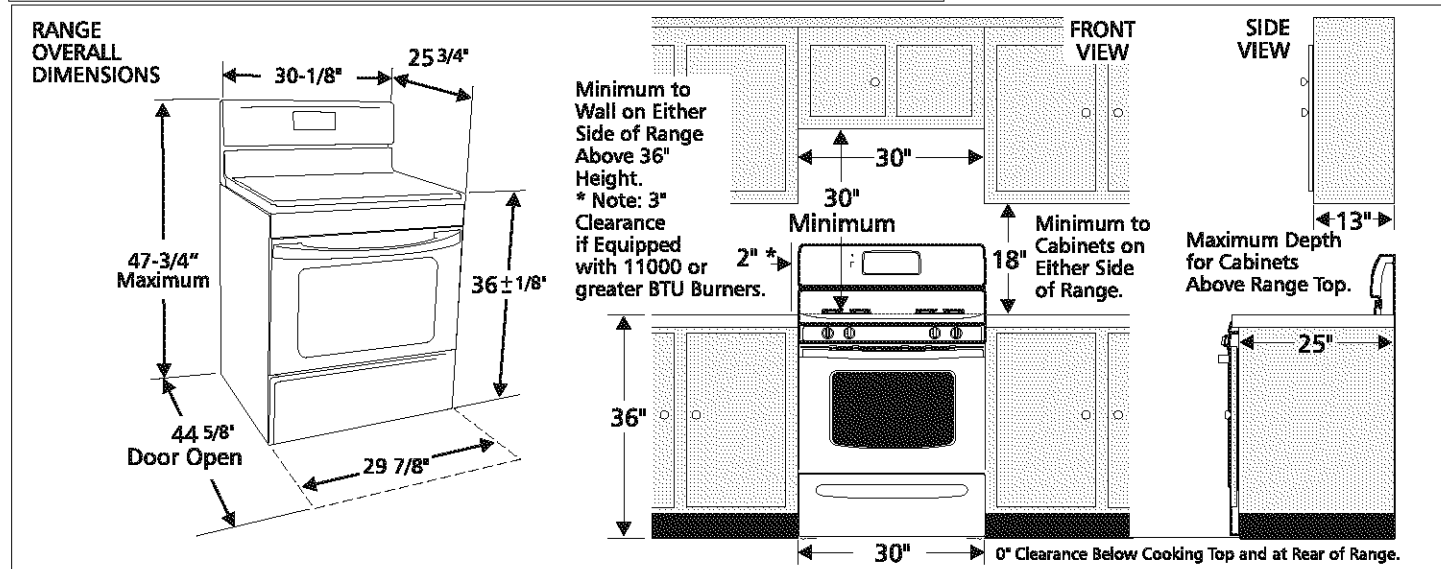
FOR YOUR SAFETY:

- Do not store or use gasoline or other flammable vapors and liquids in the vicinity of this or any other appliance.
- **WHAT TO DO IF YOU SMELL GAS:**
 - Do not try to light any appliance.
 - Do not touch any electrical switch; do not use any phone in your building.
 - Immediately call your gas supplier from a neighbor's phone. Follow the gas supplier's instructions.
 - If you cannot reach your gas supplier, call the fire department.
- Installation and service must be performed by a qualified installer, service agency or the gas supplier.



⚠ WARNING

- ALL RANGES CAN TIP
- INJURY TO PERSONS COULD RESULT
- INSTALL ANTI-TIP DEVICE PACKED WITH RANGE
- SEE INSTALLATION INSTRUCTIONS



Clearances and Dimensions

1. **Location**—Check location where the range will be installed. Check for proper electrical and gas supply, and the stability of the floor.
2. **Dimensions** that are shown must be used. Given dimensions provide minimum clearance. Contact surface must be solid and level.

Provide Proper Fuel Type

Before Proceeding: Your range is preset to operate on natural gas only. Some models are shipped convertible with parts and conversion instructions supplied. Other models have a LP/Propane Conversion Kit available through your dealer.

⚠ CAUTION DO NOT attempt to convert this range to LP/Propane settings without the proper LP/Propane conversion kit provided with the range or obtained from your dealer. Follow all instructions provided with the conversion kit.

30" GAS RANGE INSTALLATION INSTRUCTIONS

(For Models with Sealed Top Burners)

Important Notes to the Installer

1. Read all instructions contained in these installation instructions before installing range.
2. Remove all packing material from the oven compartments before connecting the gas and electrical supply to the range.
3. Observe all governing codes and ordinances.
4. Be sure to leave these instructions with the consumer.

Important Note to the Consumer

1. Keep these instructions with your owner's guide for future reference.

IMPORTANT SAFETY INSTRUCTIONS

Installation of this range must conform with local codes or, in the absence of local codes, with the National Fuel Gas Code ANSI Z223.1—latest edition when installed in the United States.

This range has been design certified by CSA International. As with any appliance using gas and generating heat, there are certain safety precautions you should follow. You will find them in the Use & Care Manual, read it carefully.

- **Be sure your range is installed and grounded properly by a qualified installer or service technician.**
- **This range must be electrically grounded in accordance with local codes or, in their absence, with the National Electrical Code ANSI/NFPA No .70—latest edition when installed in the United States.** See Grounding Instructions on page 5.
- **Before installing the range in an area covered with linoleum or any other synthetic floor covering, make sure the floor covering can withstand heat at least 90°F above room temperature without shrinking, warping or discoloring.** Do not install the range over carpeting unless you place an insulating pad or sheet of 1/4-inch thick plywood between the range and carpeting.
- **Make sure the wall coverings around the range can withstand the heat generated by the range.**
- **Do not obstruct the flow of combustion air at the oven vent nor around the base or beneath the lower front panel of the range.** Avoid touching the vent openings or nearby surfaces as they may become hot while the oven is in operation. This range requires fresh air for proper burner combustion.

⚠ WARNING Never leave children alone or unattended in the area where an appliance is in use. As children grow, teach them the proper, safe use of all appliances. Never leave the oven door open when the range is unattended.

⚠ WARNING Stepping, leaning or sitting on the doors or drawers of this range can result in serious injuries and can also cause damage to the range.

- **Do not store items of interest to children in the cabinets above the range.** Children could be seriously burned climbing on the range to reach items.
- **To eliminate the need to reach over the surface burners, cabinet storage space above the burners should be avoided.**
- **Adjust surface burner flame size so it does not extend beyond the edge of the cooking utensil.** Excessive flame is hazardous.
- **Do not use the oven as a storage space.** This creates a potentially hazardous situation.
- **Never use your range for warming or heating the room.** Prolonged use of the range without adequate ventilation can be dangerous.
- **Do not store or use gasoline or other flammable vapors and liquids near this or any other appliance.** Explosions or fires could result.
- **Reset all controls to the "off" position after using a programmable timing operation.**

FOR MODELS WITH SELF-CLEAN FEATURE:

- **Remove broiler pan, food and other utensils before self-cleaning the oven.** Wipe up excess spillage. Follow the precleaning instructions in the Owner's Guide.
- **Unlike the standard gas range, THIS COOKTOP IS NOT REMOVABLE.** Do not attempt to remove the cooktop.

⚠ WARNING DO NOT MAKE ANY ATTEMPT TO OPERATE THE ELECTRIC IGNITION OVEN DURING AN ELECTRICAL POWER FAILURE. RESET ALL OVEN CONTROLS TO "OFF" IN THE EVENT OF A POWER FAILURE.

The electric ignitor will automatically re-ignite the oven burner when power resumes if the oven thermostat control was left in the "ON" position.

When an electrical power failure occurs during use, the surface burners will continue to operate.

During a power outage, the surface burners can be lit with a match. Hold a lighted match to the burner, then slowly turn the knob to the LITE position. Use extreme caution when lighting burners this way.

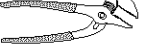
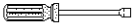

30" GAS RANGE INSTALLATION INSTRUCTIONS

(For Models with Sealed Top Burners)


Before Starting

Tools You Will Need

For leveling legs and Anti-Tip Bracket:

- Adjustable wrench or channel lock pliers 
- 5/16" Nutdriver or Flat Head Screw Driver 
- Electric Drill & 1/8" Diameter Drill Bit (5/32" Masonry Drill Bit if installing in concrete) 


For gas supply connection:

- Pipe wrench 

For burner flame adjustment:

- Phillips head  and blade-type screwdrivers 

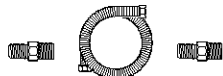
For gas conversion (LP/Propane or Natural):

- Open end wrench - 1/2" 

Additional Materials You Will Need

- Gas line shut-off valve 
- Pipe joint sealant that resists action of LP/Propane gas 

- A new flexible metal appliance conduit (1/2" NPT x 3/4" or 1/2" I.D.) must be design certified by CSA International. Because solid pipe restricts moving the range we recommend using a new flexible conduit (4 to 5 foot length) for each new installation and additional reinstallations.



- Always use the (2) new flare union adapters (1/2" NPT x 3/4" or 1/2" I.D.) supplied with the new flexible appliance conduit for connection of the range.

Normal Installation Steps

1. Anti-Tip Bracket Installation Instructions

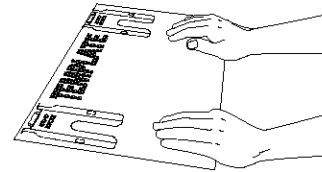
Important Safety Warning

To reduce the risk of tipping of the range, the range must be secured to the floor by properly installed anti-tip bracket and screws packed with the range. Failure to install the anti-tip bracket will allow the range to tip over if excessive weight is placed on an open door or if a child climbs upon it. Serious injury might result from spilled hot liquids or from the range itself.

If range is ever moved to a different location, the anti-tip brackets must also be moved and installed with the range.

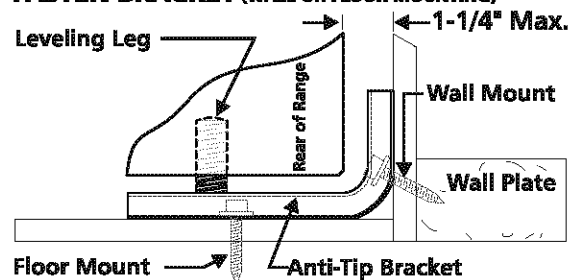
Instructions are provided for installation in wood or cement fastened to either the floor or wall. When installed to the wall, make sure that screws completely penetrate dry wall and are secured in wood or metal. When fastening to the floor or wall, be sure that screws do not penetrate electrical wiring or plumbing.

- A. Locate the Bracket Using the Template** - (Bracket may be located on either the left or right side of the range. Use the information below to locate the bracket if template is not available). Mark the floor or wall where left or right side of the range will be located. If rear of range is against the wall or no further than 1-1/4" from wall when installed, you may use the wall or floor mount method. If molding is installed and does not allow the bracket to fit flush against the wall, remove molding or mount bracket to the floor. For wall mount, locate the bracket by placing the back edge of the template against the rear wall and the side edge of template on the mark made referencing the side of the range. Place bracket on top of template and mark location of the screw holes in wall. If rear of range is further than 1-1/4" from the wall when installed, attach bracket to the floor. For floor mount, locate the bracket by placing back edge of the template where the rear of the range will be located. Mark the location of the screw holes, shown in template.

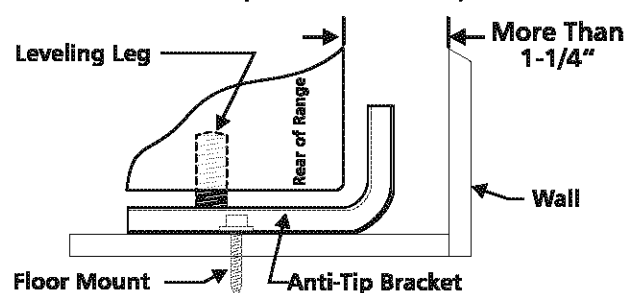


- B. Drill Pilot Holes and Fasten Bracket** - Drill a 1/8" pilot hole where screws are to be located. If bracket is to be mounted to the wall, drill pilot hole at an approximate 20° downward angle. If bracket is to be mounted to masonry or ceramic floors, drill a 5/32" pilot hole 1-3/4" deep. The screws provided may be used in wood or concrete material. Use a 5/16" nut-driver or flat head screwdriver to secure the bracket in place.

FASTEN BRACKET (WALL OR FLOOR MOUNTING)



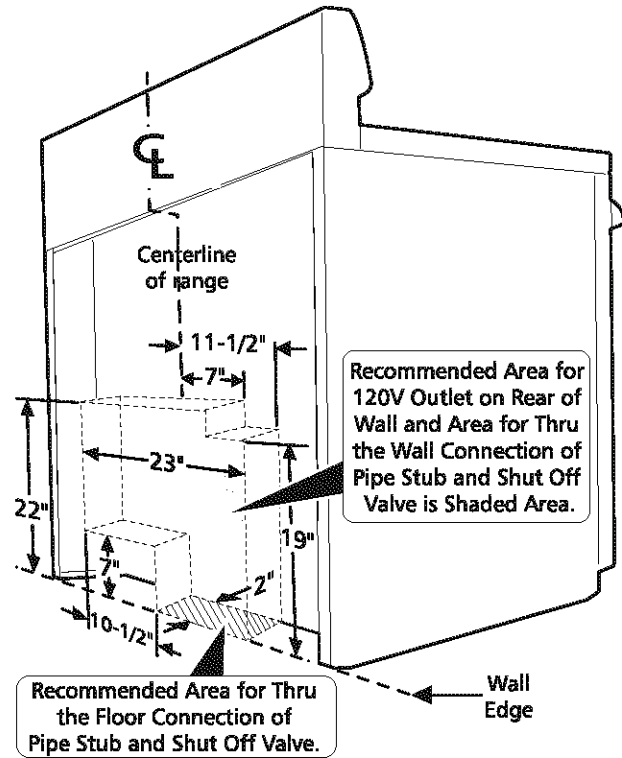
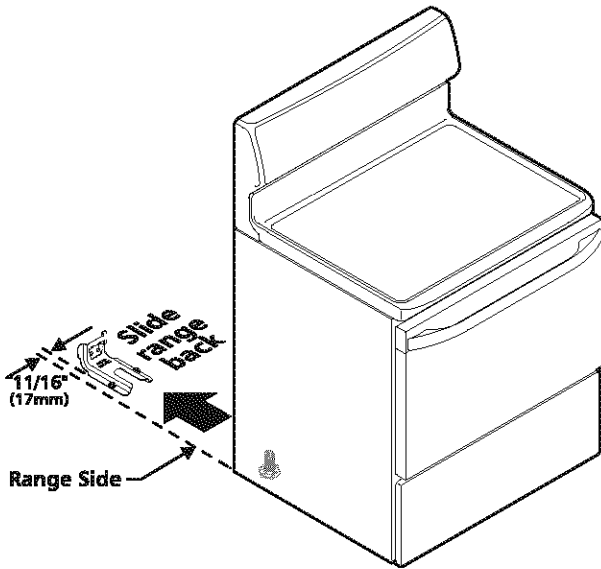
FASTEN BRACKET (FLOOR MOUNTING ONLY)



30" GAS RANGE INSTALLATION INSTRUCTIONS

(For Models with Sealed Top Burners)

C. Level and Position Range - Level range by adjusting the (4) leveling legs with a wrench. Note: A minimum clearance of 1/8" is required between the bottom of the range and the leveling leg to allow room for the bracket. Use a spirit level to check your adjustments. Slide range back into position. Visually check that rear leveling leg is inserted into and fully secured by the Anti-Tip Bracket by removing lower panel or storage drawer. For models with a warmer drawer or broiler compartment, grasp the top rear edge of the range and carefully attempt to tilt it forward.



2. Provide an adequate gas supply.

This unit is pre-set to operate on 4" natural gas manifold pressure. A convertible pressure regulator is connected to the manifold and **MUST** be connected in series with the gas supply line. If the LP/Propane conversion kit has been used, follow instructions provided with the kit for converting the pressure regulator to LP/Propane use.

Care must be taken during installation of range not to obstruct the flow of combustion and ventilation air.

For proper operation, the maximum inlet pressure to the regulator should be no more than 14 inches of water column pressure. The inlet pressure to the regulator must be at least 1 inch greater than regulator manifold pressure. Examples: If regulator is set for natural gas 4 inch manifold pressure, inlet pressure must be at least 5 inches; if regulator has been converted for LP/Propane gas 10 inch manifold pressure, inlet pressure must be at least 11 inches.

Leak testing of the appliance shall be conducted according to the instructions in step 4g.

The gas supply line should be 1/2" or 3/4" I.D.

3. Seal the openings.

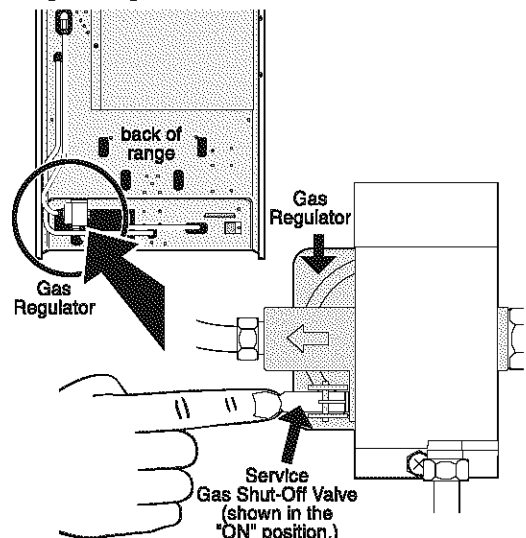
Seal any openings in the wall behind the range and in the floor under the range after gas supply line is installed.

4. Connect the range to the gas supply.

To prevent leaks, put a pipe joint sealant on all male (outside) pipe threads.

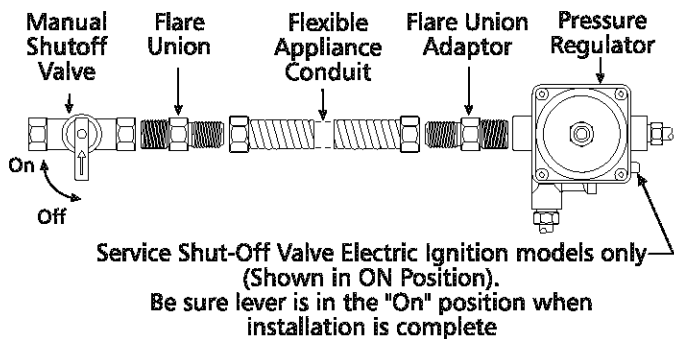
Your regulator is in the location shown below.

CAUTION Do not allow regulator to turn on pipe when tightening fittings.



30" GAS RANGE INSTALLATION INSTRUCTIONS

(For Models with Sealed Top Burners)



5. Read electrical connection details below and connect electricity to range.

⚠ WARNING Before servicing, disconnect electrical supply at circuit breaker, fuse or power cord.

Electric Requirements: An individual, properly grounded and polarized branch circuit protected by a 15 amp. circuit breaker or time delay fuse. See serial plate for proper voltage.

Extension Cord Precautions:

Because of potential safety hazards under certain conditions, we strongly recommend against the use of any extension cord. However, if you still elect to use an extension cord, it is absolutely necessary that it be a UL listed 3-wire grounding type appliance extension cord and that the current carrying rating of the cord in amperes be equivalent to or greater than the branch circuit rating. Such extension cords are obtainable through your local service organization.

⚠ WARNING PLEASE READ CAREFULLY! For personal safety, this product must be properly grounded.

Grounding Instructions

The power cord of this appliance is equipped with a 3-prong (grounding) plug which mates with a standard 3-prong grounding wall receptacle to minimize the possibility of electric shock hazard from this appliance. The customer should have the wall receptacle and circuit checked by a qualified electrician to make sure the receptacle is properly grounded and polarized.

- Install an external manual gas shut-off valve to gas supply line in an easily-accessible location outside of the range. Be sure you know how and where to shut-off the gas supply to the range.
- Install 1/2" flare union adapter to pressure regulator.
- Attach appliance conduit to flare union on regulator.
- Install flare union adaptor to external manual shut-off valve.
- Attach appliance conduit to flare union on shut-off valve.
- Make sure service shut-off valve on pressure regulator is in "ON" position.
- Check for leaks. Turn the gas supply on to the range and use a liquid leak detector at all joints and conduits to check for leaks in the system.

⚠ WARNING Do not use a flame to check for gas leaks.

Checking Manifold Gas Pressure

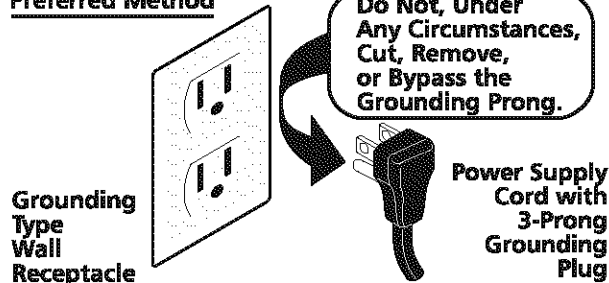
Disconnect the range and its individual shut-off valve from the gas supply piping system during any pressure testing of that system at test pressures greater than 14" of water column pressure (approximately 1/2" psig).

The appliance must be isolated from the gas supply piping system by closing its individual manual shut-off valve during any pressure testing of the gas supply piping system at test pressures equal to or less than 14" of water column pressure (approximately 1/2" psig).

If it should be necessary to check the manifold gas pressure, connect manometer (water gauge) or other pressure device to the top burner right rear orifice. Using a rubber hose with inside diameter of approximately 1/4," hold tubing down tight over orifice. Turn burner valve on.

For an accurate pressure check have at least two (2) other top burners burning. Be sure the gas supply (inlet) pressure is at least one inch above specified range manifold pressure. The gas supply pressure should never be over 14" water column. When properly adjusted for Natural Gas the manifold pressure is 4." (For LP/Propane Gas the manifold pressure is 10.")

Preferred Method



Where a standard two-prong wall receptacle is encountered, it is the personal responsibility and obligation of the customer to have it replaced with a properly grounded three-prong wall receptacle.

DO NOT, UNDER ANY CIRCUMSTANCES, CUT OR REMOVE THE THIRD (GROUND) PRONG FROM THE POWER CORD.

30" GAS RANGE INSTALLATION INSTRUCTIONS

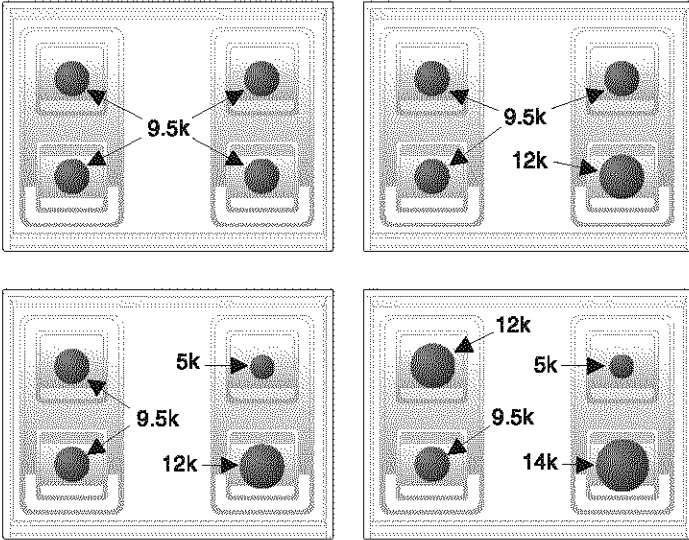
(For Models with Sealed Top Burners)

Operation of Surface Burners

6. Installation of Burner Cap Assembly

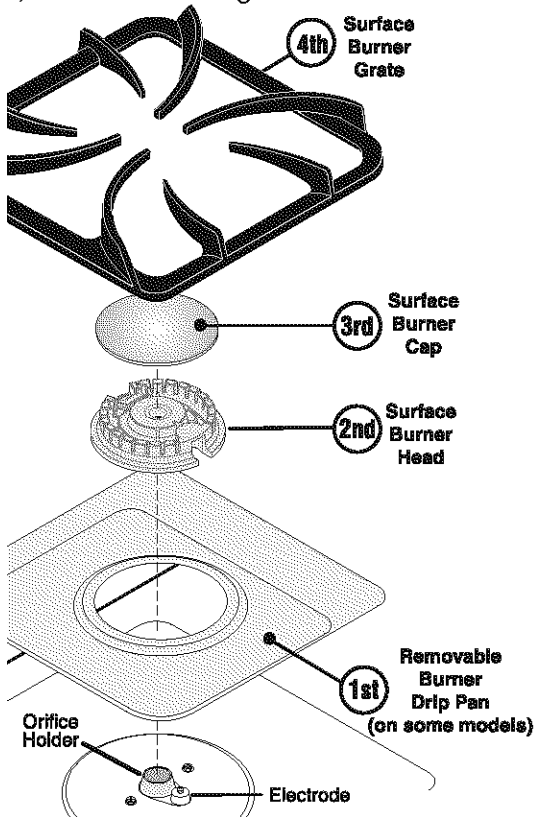
Your range is equipped with any combination of the sealed burners. Refer to the chart to find your surface burner and surface burner cap configuration. Be sure to place the correct

Possible Surface Burner and Cap configurations:



burner cap at on all four surface burners. Install the parts shown below at all four surface burner locations:

1st - Install the surface burner pans (if equipped); 2nd - install the surface burner heads; 3rd - install the surface burner caps and 4th; install the burner grates.

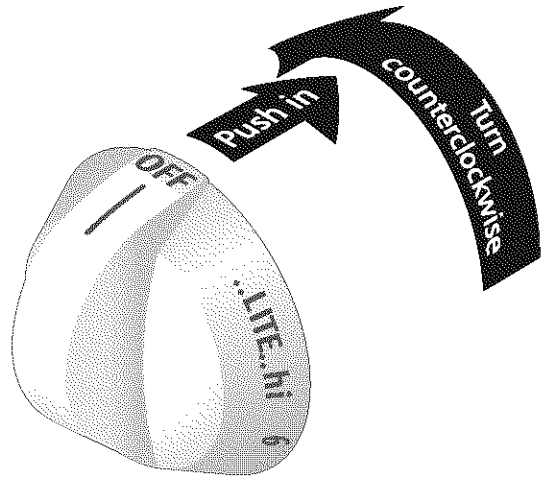


7. Electric Ignition Surface Burners

Operation of electric igniters should be checked after range and supply line connectors have been carefully checked for leaks and range has been connected to electric power.

- To check for proper lighting, **push in and turn** a surface burner knob **counterclockwise** to the **LITE** position. You will hear the igniter sparking.
- The surface burner should light when gas is available to the top burner. Purge air from supply lines by leaving knob in the **LITE** position until burner ignites. Each burner should light within four (4) seconds in normal operation after air has been purged from supply lines.
- Visually check that burner has lit. Once the burner lights, the control knob should be turned out of the LITE position.
- There are separate electrodes (igniters) for each burner. Try each knob separately until all burner valves have been checked.

Note: Knob styles may vary from those pictured below.

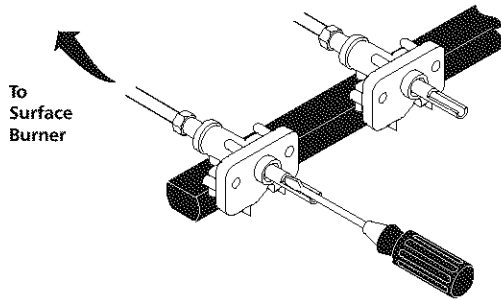


OFF ..LITE.. hi 6 5 4 3 2 lo

30" GAS RANGE INSTALLATION INSTRUCTIONS

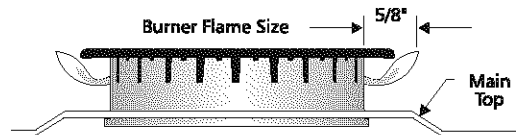
(For Models with Sealed Top Burners)

8. Adjust the "LOW" Setting of Surface Burner Valve (Linear Flow Valves Only):



Test to verify if "LOW" setting should be adjusted

- Push in and turn control to LITE until burner ignites.
- Push in and quickly turn knob to LOWEST POSITION.
- If burner goes out, reset control to OFF.
- Remove the surface burner control knob.
- Insert a thin-bladed screwdriver into the hollow valve stem and engage the slotted screw inside. Flame size can be increased or decreased with the turn of the screw.



Turn counterclockwise to increase flame size. Turn clockwise to decrease flame size.

Adjust flame until you can quickly turn knob from LITE to LOWEST POSITION without extinguishing the flame. Flame should be as small as possible without going out.

Note: Air mixture adjustment is not required on surface burners.

Operation of Oven Burners and Oven Adjustments

9. Electric Ignition Burners

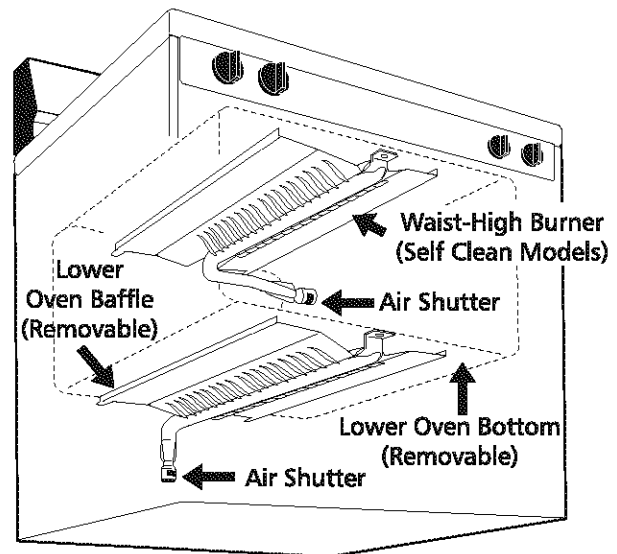
Operation of electric igniters should be checked after range and supply line connectors have been carefully checked for leaks and range has been connected to electric power.

The oven burner is equipped with an electric control system as well as an electric oven burner igniter. If your model is equipped with a waist-high broil burner, it will also have an electric burner igniter. These control systems require no adjustment. When the oven is set to operate, current will flow to the igniter. It will "glow" similar to a light bulb. When the igniter has reached a temperature sufficient to ignite gas, the electrically controlled oven valve will open and flame will appear at the oven burner. There is a time lapse from 30 to 60 seconds after the thermostat is turned ON before the flame appears at the oven burner. When the oven reaches the dial setting, the glowing igniter will go off. The burner flame will go "out" in 20 to 30 seconds after the igniter goes "OFF." To maintain any given oven temperature, this cycle will continue as long as the dial (or display) is set to operate.

After removing all packing materials and literature from the oven:

- Set oven to BAKE at 300°F. See Use & Care Manual for operating instructions.
- Within 60 seconds the oven burner should ignite. Check for proper flame, and allow the burner to cycle once. Reset controls to off.
- If your model is equipped with a waist-high broiler, set oven to BROIL. See Use & Care Manual for operating instructions.
- Within 60 seconds the broil burner should ignite. Check for proper flame. Reset controls to off.

10. Air Shutter-Oven Burner



The approximate flame length of the oven burner is 1 inch (distinct inner, blue flame).

To determine if the oven burner flame is proper, remove the oven bottom and burner baffle and set the oven to bake at 300°F.

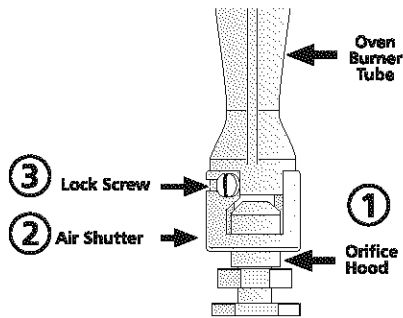
To remove the oven bottom, remove oven hold down screws at rear of oven bottom. Pull up at rear, disengage front of oven bottom from oven front frame, and pull the oven bottom out of the oven. Remove burner baffle so that the burner flame can be observed.

If the flame is yellow in color, increase air shutter opening size. (See "2" in illustration below.) If the flame is a distinct blue, reduce the air shutter opening size.

To adjust loosen lock screw (see "3" illustration below), reposition air shutter, and tighten lock screw. Replace oven bottom.

30" GAS RANGE INSTALLATION INSTRUCTIONS

(For Models with Sealed Top Burners)



11. Air Shutter-Broil Burner

The approximate flame length of the broil burner is 1 inch (distinct inner, blue flame).

To determine if the broil burner flame is proper, set the oven to broil.

If the flame is yellow in color, increase air shutter opening size. (See "2" in illustration above.) If the flame is a distinct blue, reduce the air shutter opening size.

To adjust, loosen lock screw (see "3" in illustration above), reposition air shutter, and tighten lock screw.

12. Make Sure Range is Level.

Level the range by placing a level horizontally on an oven rack. Check diagonally from front to back, then level the range by either adjusting the leveling legs or by placing shims under the corners of the range as needed.

13. After installation is complete, make sure all controls are left in the OFF position.

Model and Serial Number Location

For sealed burner ovens, the serial plate is located on the right-hand surface of the oven front frame at the storage or warmer drawer; or the lower panel area.

When ordering parts for or making inquiries about your range, always be sure to include the model and serial numbers and a lot number or letter from the serial plate on your range.

Your serial plate also tells you the rating of the burners, the type of fuel and the pressure the range was adjusted for when it left the factory.

Care, Cleaning and Maintenance

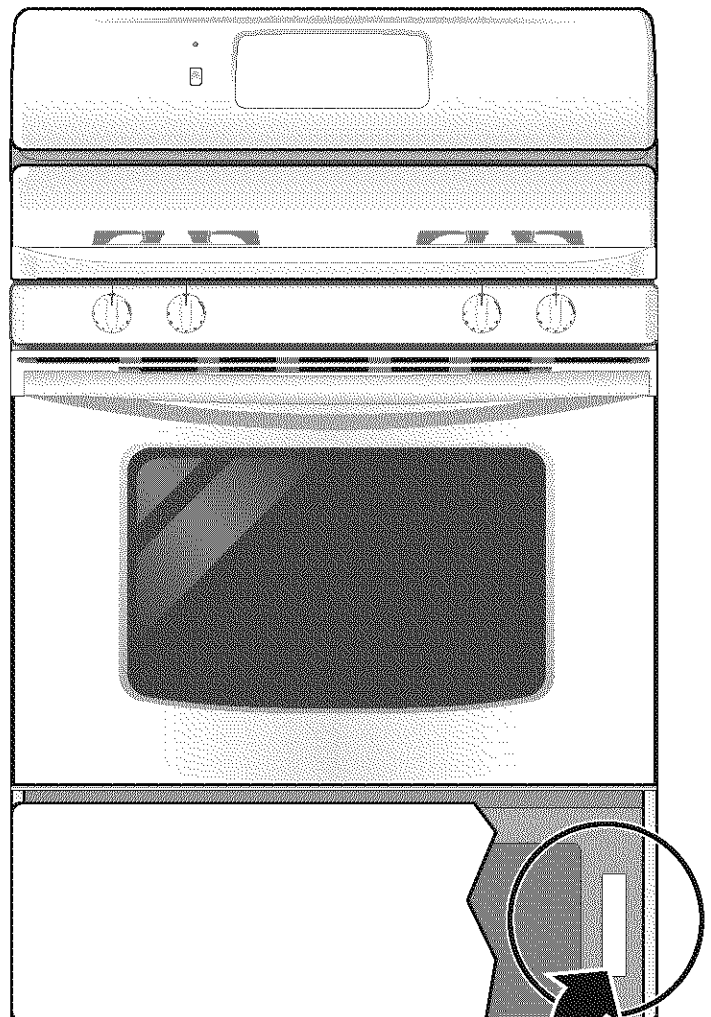
Refer to the [Use & Care Manual](#) for cleaning instructions.

If removing the range is necessary for cleaning or maintenance, shut off gas supply. Disconnect the gas and electrical supply. If the gas or electrical supply is inaccessible, lift the unit slightly at the front and pull out away from the wall. Pull only as far as necessary to disconnect the gas and electrical supply. Finish removing the unit for servicing and cleaning. Reinstall in reverse order making sure to level the range and check gas connections for leaks. See page 3, step 1 for proper anchoring instructions.

Before You Call for Service

Read the "Before You Call" and operating instruction sections in your [Use & Care Manual](#). It may save you time and expense. The list includes common occurrences that are not the result of defective workmanship or materials in this appliance.

Refer to the warranty in your [Use & Care Manual](#) for our toll-free service number and address. Please call or write if you have inquiries about your range product and/or need to order parts.



Serial plate location
Open storage or warmer drawer,
or remove lower panel
(on some models)

INSTRUCCIONES DE INSTALACIÓN DE COCINAS DE GAS DE 30"

(Modelos con quemadores sellados)

Instrucciones importantes para el instalador

1. Lea todas las instrucciones que se proporcionan en este manual de instalación antes de comenzar a instalar la cocina.
2. Retire todo el material de embalaje de los compartimentos del horno antes de conectar el suministro de energía eléctrica y de gas a la cocina.
3. Siga siempre todos los códigos y normativas locales referentes a instalación de cocinas.
4. Asegúrese de que el comprador guarde estas instrucciones.

Instrucciones importantes para el comprador

1. Guarde estas instrucciones junto con la Guía de uso y mantenimiento para referencias futuras.

INSTRUCCIONES DE SEGURIDAD IMPORTANTES

La instalación de esta cocina deberá realizarse de acuerdo a la normativa local o, en caso de que no existiera, de acuerdo a la norma National Fuel Gas Code ANSI Z223.1—última edición, si la instalación se realiza en Estados Unidos.

Si la cocina se instala en una casa móvil (caravana), la instalación deberá realizarse de acuerdo a los estándares de seguridad Manufactured Home Construction and Safety Standard (Estándar de seguridad y construcción de casa prefabricadas), Título 24 CFR, Sección 3280 [anteriormente denominada Federal Standard for Mobile Home Construction and Safety (Estándar federal para seguridad y construcción de casas prefabricadas), Título 24, HUD (Sección 280)] o, en caso de que dicho estándar no sea aplicable, deberá seguirse la norma marcada por el Standard for Manufactured Home Installations, ANSI/NCSBCS A225.1, o bien, toda la normativa legal existente referente a casas móviles.

El diseño de esta cocina posee la certificación de CSA International. Del mismo modo que sucede con otras aplicaciones que utilizan gas y generan calor, existen ciertas recomendaciones de seguridad que deberán seguirse siempre. Lea con detenimiento la Guía de uso y mantenimiento.

- **Asegúrese de que un instalador cualificado o un técnico del servicio de reparaciones certifica que su cocina se ha instalado y posee una toma de tierra adecuada.**
- **Esta cocina deberá poseer una toma de tierra adecuada de acuerdo a la normativa local o bien, si no existiera, de acuerdo a lo establecido en el código National Electrical Code ANSI/NFPA N° 70— última edición si se instala en los Estados Unidos. Consulte las instrucciones de instalación de la toma de tierra que se proporcionan en la página 5.**
- **Antes de instalar la cocina en una zona con recubrimiento de linóleo o con cualquier otro tipo de suelo sintético, deberá asegurarse de que el recubrimiento del suelo podrá soportar temperaturas que superen 32°C la temperatura ambiente sin que se deterioren, se resquebrajen o pierdan color. No instale la cocina sobre suelos enmoquetados a no ser que se coloque un recubrimiento de protección o una lámina de aislamiento de 1/4" contrachapada para aislar la cocina de la moqueta.**
- **Asegúrese de que las cubiertas que se coloquen alrededor de la cocina puedan soportar el calor que genere la cocina.**
- **No obstruya el flujo de aire de combustión del orificio de ventilación, ni alrededor de la base o entre el panel frontal inferior de la cocina. No toque las aperturas de ventilación, ni las superficies adyacentes ya que es posible que se calienten en exceso cuando el horno esté en funcionamiento. Esta cocina requiere aire fresco para que la combustión del quemador sea la adecuada.**

⚠ PRECAUCIÓN No deje nunca niños solos o desatendidos en la zona en la que se utilice la aplicación. Conforme vayan creciendo los niños, deberá explicarles el modo correcto de utilizar este tipo de aplicaciones. No deje nunca abierta la puerta del horno si la cocina se va a quedar desatendida.

⚠ PRECAUCIÓN No se suba, se apoye o se siente en las puertas o en los cajones de esta cocina ya que podrían producirse graves daños personales y en la propia cocina.

- **No almacene artículos que puedan llamar la atención de niños en los armarios que haya encima de la cocina. Cualquier niño podría sufrir quemaduras de gravedad al subirse en la cocina para alcanzar dichos objetos.**
- **Para evitar tener que alcanzar cualquier objeto que se encuentre por encima de los quemadores de la cocina, evite la instalación de armarios encima de la misma.**
- **Ajuste el tamaño de la llama del quemador de tal modo que no rebase los límites de los cazos o utensilios que se utilicen para cocinar. Una llama excesiva puede ser peligrosa.**
- **No utilice el horno como lugar de almacenamiento. Si lo hace pueden producirse situaciones de peligro reales.**
- **No utilice nunca la cocina para calentar la habitación. Un uso prolongado de la cocina en espacios sin la ventilación adecuada es peligroso.**
- **No almacene gasolina ni cualquier otro tipo de combustible o gas inflamable cerca de la cocina o de cualquier otro tipo de aplicación. Puede producirse fuego o una explosión.**
- **Coloque todos los controles de la cocina en la posición de "apagado" después de haber utilizado la función de temporización programable.**

PARA MODELOS AUTOLIMPIABLES:

- **Retire la parrilla, alimentos o cualquier otro utensilio antes de activar esta función. Retire con un paño si hay un exceso de derrames. Siga las instrucciones de limpieza que se proporcionan en la Guía de uso y mantenimiento.**
- **A diferencia que las cocinas de gas estándar, ESTA PLACA NO SE PUEDE RETIRAR. No intente levantar la placa.**

⚠ PRECAUCIÓN NO INTENTE ENCENDER EL HORNO DE IGNICIÓN ELÉCTRICA DURANTE UN APAGÓN DE LUZ. COLOQUE TODOS LOS CONTROLES EN LA POSICIÓN DE "APAGADO" CUANDO SE PRODUZCAN SITUACIONES DE ESTE TIPO.

El encendedor eléctrico, volverá a encenderse automáticamente al volver a conectarse el suministro de energía eléctrica tras un apagón si se han dejado los controles en la posición de "ENCENDIDO".

Si se produce un apagón eléctrico cuando esté utilizando la aplicación, los quemadores de superficie continuarán en funcionamiento y podrá encenderlos con una cerilla.

Coloque una cerilla encendida al lado del quemador y, a continuación, gire lentamente el mando hasta colocarlo en a posición LITE de encendido. Extreme las precauciones la encender el quemador de este modo.



INSTRUCCIONES DE INSTALACIÓN DE COCINAS DE GAS DE 30"

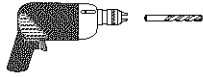
(Modelos con quemadores sellados)

Antes de comenzar


Herramientas que va a necesitar

Para patas de nivelación y montura anti-vuelco:

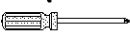

- Llave ajustable o alicates 
- Llave para apretar tuercas de 5/16" o un destornillador de cabeza plana 
- Taladro eléctrico y una broca de 1/8" (broca de taladro de hormigón de 5/32" si se instala sobre hormigón)




Para la conexión al suministro de gas:

- Llave grifa 


Para el ajuste de la llama de los quemadores:

- Destornilladores de estrella  y de cabeza plana 

Para la conversión a gas (PL/Propano o gas natural):

- Llave de boca de 1/2" 

Material adicional que va a necesitar

- Válvula de desconexión de la línea de gas 
- Sellador para uniones de tuberías que resista la acción del gas propano/PL



- Un conducto de metal flexible (1/2" NPT x 3/4" o de 1/2" de D.I.) con diseño certificado por CSA International. Ya que las tuberías rígidas restringen el movimiento de la cocina, se recomienda el uso de tuberías flexibles nuevas (de entre 1,20 a 1,50 mts) durante la instalación y cada vez que se vaya a instalar de nuevo o se cambie de lugar posteriormente.



- Utilice siempre los dos (2) adaptadores de campana (1/2" NPT x 3/4" o de 1/2" D.I.) que se suministran con el conducto flexible nuevo para la conexión de la cocina.

Pasos para la instalación

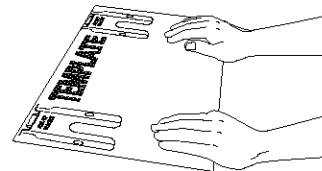
1. Advertencia de seguridad importante sobre las instrucciones de instalación de la montura anti-vuelco

Para reducir el riesgo de que se vuelque la cocina, ésta deberá asegurarse al suelo mediante la montura especial anti-vuelco que deberá sujetarse al mismo del modo adecuado con los tornillos que se suministran. Si no se instala del modo adecuado esta montura, la cocina está expuesta a volcarse si se coloca un peso excesivo sobre una puerta abierta o en el caso de que un niño se agarre a la misma e intente subirse a ella. Estas situaciones pueden provocar graves daños personales por el derramamiento de líquidos muy calientes o bien, por el peso de la cocina en sí.

Si en algún momento se cambia de lugar la cocina, deberán cambiarse de lugar también e instalarse de nuevo las monturas anti-vuelco.

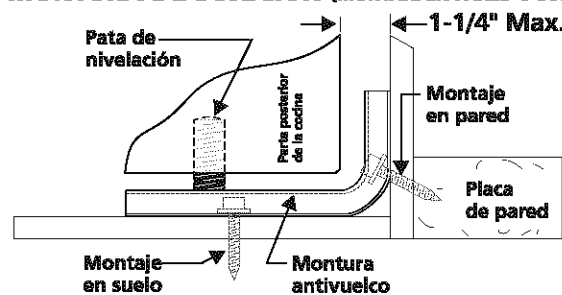
Estas instrucciones explican el modo de instalar la cocina sobre madera o cemento y el modo de sujetarla a la pared o al suelo. Si se instala sujeta a la pared, deberá asegurarse de que los tornillos se introducen completamente en la pared seca y se aseguran en madera o metal. Cuando sujete la cocina al suelo o a la pared, deberá asegurarse de que los tornillos no perforan ningún cable eléctrico o tuberías.

- A. **Ubicación de la montura con la ayuda de la plantilla-** (la montura puede ubicarse a la izquierda o a la derecha de la cocina. A continuación se proporciona la información necesaria para ubicar la montura si no dispone de la plantilla). Haga una marca en el suelo o en la pared a la izquierda o a la derecha. Si la parte posterior de la cocina va a quedar apoyada contra la pared o va a quedar a menos de 1-1/4" de la misma. Siga los pasos que se describen en el método de montaje en pared o suelo. Si se coloca una moldura que impide que la montura se adapte completamente a la pared, deberá retirar la moldura o bien, instalar la montura en el suelo. En caso de que se monte en la pared, ubique la montura colocando el borde trasero de la plantilla contra la pared posterior y el borde lateral sobre la marca de referencia realizada en el lateral de la cocina. Coloque la montura sobre la plantilla y marque la ubicación de los agujeros de los tornillos en la pared. Si la parte posterior de la cocina se encuentra a más de 1-1/4" de la pared cuando la instale, deberá fijar la montura al suelo. Para montaje sobre suelo, coloque el borde trasero de la plantilla en el lugar en el que se vaya a instalar la cocina. Marque la ubicación de los agujeros de los tornillos que se muestra en la plantilla.

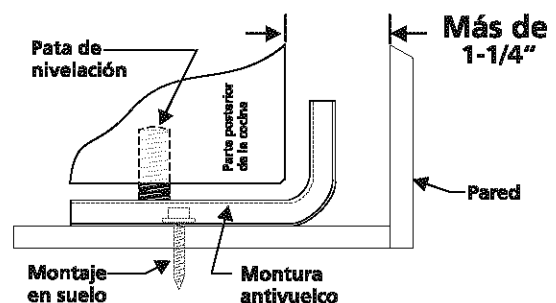


- B. **Perforación de agujeros piloto y montura de sujeción** – Perfore un agujero piloto de 1/8" en el lugar en el que se vayan a instalar los tornillos. Si la montura se va a instalar a en la pared, practique un agujero piloto con una inclinación aproximada de 20° hacia abajo. Si la montura se va a instalar sobre hormigón para suelos cerámicos, practique un agujero de 5/32" con una profundidad de 1-3/4". Los tornillos que se suministran pueden utilizarse en hormigón o madera. Para fijar la montura en su sitio, utilice un destornillador de cabeza plana o una llave para apretar tuercas de 5/16".

MONTURA DE SUJECCIÓN (MONTAJE EN PARED O SUELO)



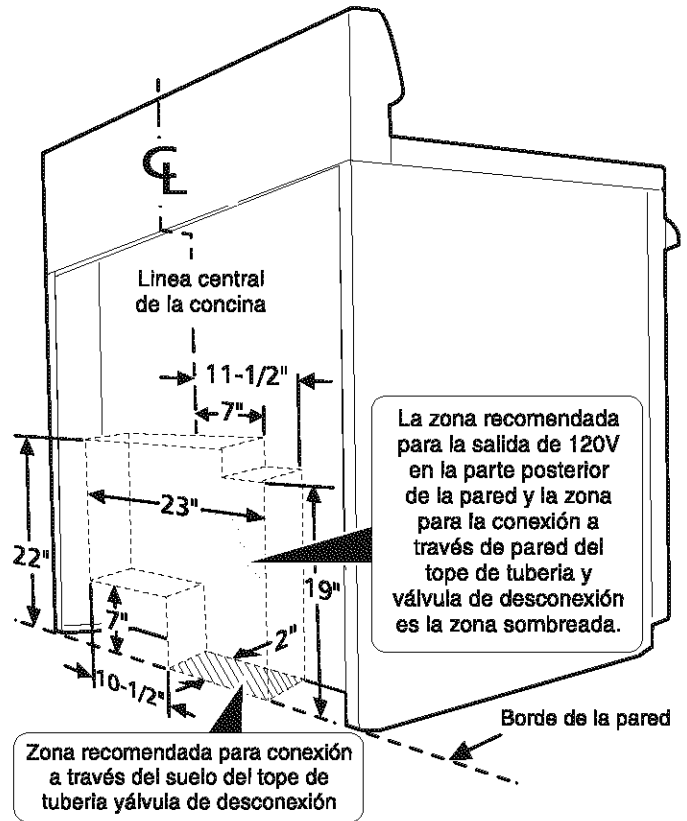
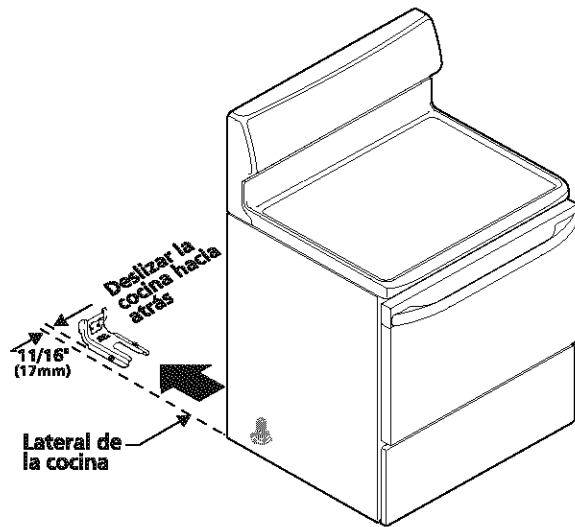
MONTURA DE SUJECCIÓN (SÓLO MONTAJE EN SUELO)



INSTRUCCIONES DE INSTALACIÓN DE COCINAS DE GAS DE 30"

(Modelos con quemadores sellados)

C. Nivelación y colocación de la cocina – Para nivelar la cocina, deberá ajustar las cuatro (4) patas de nivelación con una llave. Nota: Es necesario mantener un espacio mínimo de 1/8" entre el fondo de la cocina y la pata de nivelación para dejar espacio suficiente para instalar la montura de sujeción. Compruebe los ajustes realizados con un nivel de burbuja de aire. Deslice la cocina hacia atrás hasta colocarla en su posición. Retire el panel posterior o el cajón de almacenamiento para comprobar que la pata de nivelación posterior se introduce y queda completamente fijada en la montura anti-vuelco. En modelos que posean un cajón para calentar o un grill, deberá sujetar el borde trasero superior de la cocina e intentar, con cuidado, inclinarlo hacia adelante.



3. Sellado de las aperturas.

Selle las aperturas de la pared por detrás de la cocina y en el suelo bajo la cocina después de haber instalado la línea de suministro de gas.

4. Conecte la cocina al suministro de gas.

Para evitar fugas, aplique sellador de tuberías en todas las partes roscadas machos (exterior) de la tubería. El regulador se encuentra en el lugar que se muestra en la ilustración.

⚠ ADVERTENCIA No permita que el regulador gire sobre la tubería al apretar las uniones.

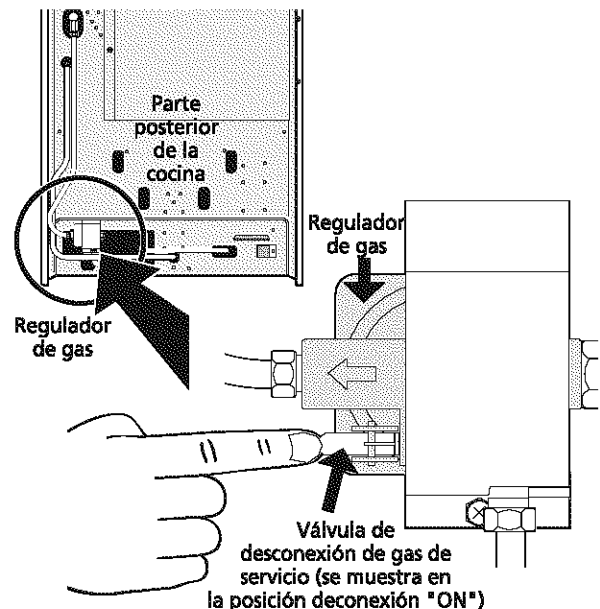
2. Conexión a un suministro de gas adecuado.

Esta unidad se ha diseñado para funcionar con un colector de gas natural de 4". El colector está conectado a un regulador de presión convertible y DEBE conectarse en serie con la línea de suministro de gas. Si se ha utilizado el juego de conversión para PL/Propano, siga las instrucciones que se proporcionan con el juego de conversión. Este juego podrá encontrarlo en la parte posterior de la cocina. Extreme las precauciones durante la instalación de la cocina para no obstruir el flujo del aire de combustión y ventilación.

Para que el funcionamiento sea adecuado, la presión de entrada máxima al regulador no debe ser superior a 14" de presión de columna de agua. La presión de entrada al regulador deberá ser al menos 1" más que la presión del colector del regulador. Ejemplo: Si el regulador se configura para una presión de colector de 4" de gas natural, la presión de entrada deberá ser al menos de 5". Si el regulador se ha convertido para uso con una presión de colector de 10" de gas Propano/PL, la presión de entrada deberá ser al menos de 11".

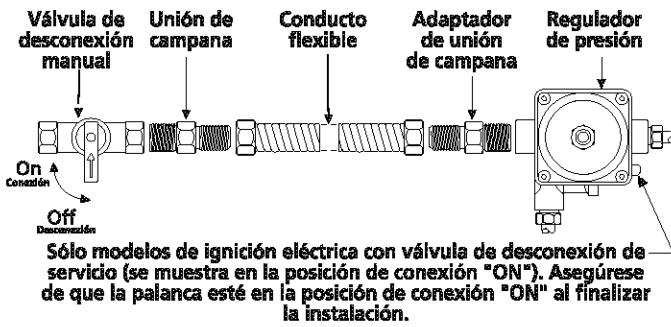
Realice una comprobación del sistema para buscar fugas tal y como se describe en el paso 4g de las instrucciones.

La línea de suministro de gas debe ser de 1/2" o 3/4" de D.I.



INSTRUCCIONES DE INSTALACIÓN DE COCINAS DE GAS DE 30"

(Modelos con quemadores sellados)



- Instale una válvula manual externa para cierre de gas hacia la línea de suministro de gas que tenga una ubicación de fácil acceso fuera de la cocina. Asegúrese de conocer dónde y cómo se cierra el suministro de gas hacia la cocina.
- Instale un adaptador para unión de campana de 1/2" hacia el regulador de presión.
- Conecte el conducto de la aplicación a la unión de campana en el regulador.
- Instale el adaptador de la unión de campana hacia la válvula manual externa de cierre.
- Conecte el conducto de la aplicación a la unión de campana en la válvula de cierre.
- Asegúrese que la válvula de cierre de servicio sobre el regulador de presión se encuentra en la posición de encendido "ON".**
- Verifique si existen fugas. Encienda el suministro de gas hacia la cocina y use el detector de derrames de líquidos en todas las uniones y conductos para comprobar la existencia de fugas en el sistema.

PRECAUCIÓN No use fuego para comprobar la existencia de fugas de gas.

Revisión de la presión de gas en el colector

Desconecte la cocina y su válvula de cierre individual del sistema de tubería del suministro de gas durante cualquier prueba de presión de ese sistema para presiones de prueba superiores a 14" de presión de columna de agua (aproximadamente 1/2" psig).

La aplicación debe aislarse del sistema de la tubería de suministro de gas cerrando su válvula de cierre manual individual durante cualquier prueba de presión del sistema de tubería de suministro de gas para presiones de prueba iguales o mayores a 14" de presión de columna de agua (aproximadamente 1/2" psig).

Si fuera necesario revisar la presión de gas en el colector, conecte el manómetro (medidor de agua) u otro dispositivo de presión al orificio posterior derecho del quemador superior. Usando una manguera de caucho con un diámetro interior de aproximadamente 1/4", sostenga fuerte la tubería hacia abajo sobre el orificio. Encienda la válvula del quemador.

Para una revisión exacta de la presión, tenga por lo menos otros dos (2) quemadores superiores. Asegúrese que la presión del suministro de gas (entrada) se encuentra por lo menos una pulgada por encima de la presión especificada en el colector de la cocina. La presión del suministro de gas nunca debe encontrarse por encima de 14" de la columna de agua. Cuando se encuentra debidamente ajustado para Gas Natural, la presión en el colector es 4" (para PL/Gas Propano, la presión en el colector es 10").

5. Lea los detalles sobre conexión eléctrica en la parte inferior y conecte la electricidad según la cocina.

PRECAUCIÓN Antes de realizar cualquier tarea de mantenimiento, desconecte el suministro eléctrico en el interruptor, fusible o cable del suministro de energía eléctrica.

Requisitos del sistema eléctrico: Un circuito de derivación individual polarizado, con toma de tierra, protegido por un interruptor de 15 A o un fusible de retardo de tiempo. Consulte la placa de datos técnicos en la que se indica la tensión adecuada.

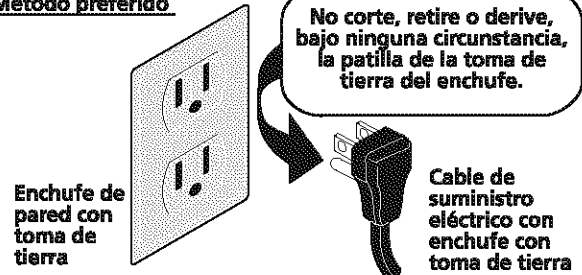
Precauciones a tener en cuenta sobre alargadores de cables: Debido a los peligros potenciales de seguridad bajo algunas condiciones, le recomendamos no hacer uso de ningún cable de extensión. Sin embargo, si a pesar de esto elige usar un cable de extensión, es absolutamente necesario que sea un cable de extensión tipo cableado a tierra de tres cables con aprobación UL y que el promedio de carga de corriente del cable en amperios sea equivalente o mayor al promedio del circuito de derivación. Estos cables de extensión pueden obtenerse a través de su organización de servicio local.

PRECAUCIÓN LEA CON DETENIMIENTO. Para su seguridad personal, este producto debe ser debidamente conectado a una toma de tierra.

Instrucciones para la toma de tierra

El cable del suministro eléctrico de esta aplicación está equipado con un enchufe de 3 patillas (para toma de tierra) que coincida con un enchufe de pared estándar con toma de tierra de 3 patillas para minimizar la posibilidad de que se produzcan descargas eléctricas. El cliente deberá encargar a un técnico electricista la revisión del enchufe de la pared y del circuito para asegurarse de que el enchufe se encuentra debidamente conectado a tierra y polarizado. En lugares en los que haya un enchufe de pared estándar de dos patillas, el cliente tendrá responsabilidad directa y la obligación de reemplazarlo por un enchufe de pared de tres patillas debidamente cableado a tierra.

Método preferido



BAJO NINGUNA CIRCUNSTANCIA, CORTE, RETIRE O DERIVE LA TERCERA PATILLA (DE TOMA DE TIERRA) DEL CABLE DEL SUMINISTRO DE ENERGÍA ELÉCTRICA.

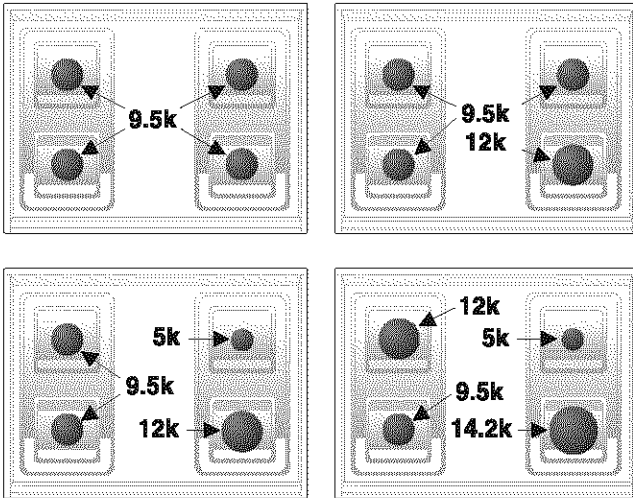
INSTRUCCIONES DE INSTALACIÓN DE COCINAS DE GAS DE 30"

(Modelos con quemadores sellados)

Accionamiento -quemadores de superficie

6. Instal. de las tapas del quemador de superficie

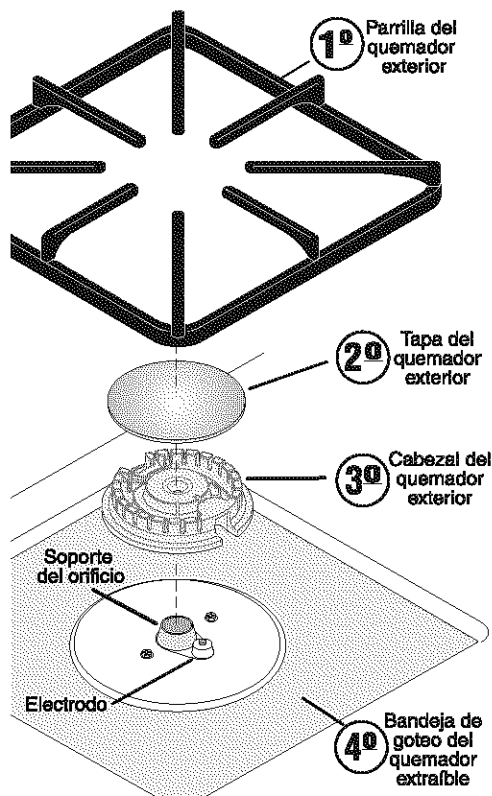
Su cocina está equipada con cualquier combinación de los quemadores sellados. Refiérase al gráfico en la parte de abajo para encontrar su quemador de superficie y la configuración de la tapa del quemador de superficie.



Posibles configuraciones de tapa y quemador de superficie

Asegúrese de colocar la tapa correcta del quemador en los cuatro quemadores de superficie. Instale las piezas que se indican a continuación en las cuatro ubicaciones para quemador de superficie.:

- 1º - Instale las bandejas del quemador de superficie (si se dispone de la mismas);
- 2º - instale los cabezales del quemador de superficie;
- 3º - instale las tapas del quemador de superficie e
- 4º - instale las parrillas del quemador.



7. Quemadores de superficie de ignición eléctrica

La operación de los encendedores eléctricos debe ser revisada después de que la cocina y los conectores de la línea de suministro hayan sido cuidadosamente conectados a la corriente eléctrica. Las válvulas de gas del quemador de superficie cuenta con posiciones de retén en las posiciones de Off (Apagado) y LITE (ENCENDIDO). La perilla debe ser empujada hacia dentro para girarla pasando estas posiciones de retén.

- a. Para revisar si existe un adecuado encendido, empuje hacia adentro y gire una perilla del quemador de superficie hacia la izquierda a la posición de LITE. Escuchará que el encendedor emite unas chispas (vea el gráfico de abajo).
- b. El quemador de superficie debe encender cuando el gas está disponible para el quemador superior. Purgue el aire de las líneas de suministro dejando la perilla en la posición de LITE hasta que se encienda el quemador. Cada quemador debe encenderse en cuatro (4) segundos en operación normal luego que el aire ha sido purgado de las líneas de suministro.
- c. Compruebe visualmente que el quemador ha encendido. Una vez que el quemador se enciende, la perilla de control debe ser empujada hacia adentro y girada fuera de la posición de LITE (ENCENDIDO).
- d. Existen electrodos separados (encendedores) para cada quemador. Pruebe cada perilla por separado hasta que todas las válvulas de quemador hayan sido revisadas.

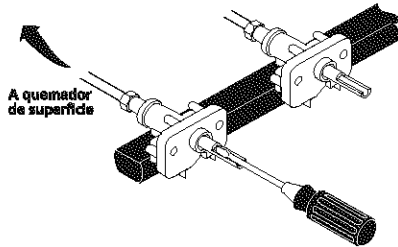
Nota: Las formas y colores de las perillas pueden ser diferentes a las que se muestran en la figura.



INSTRUCCIONES DE INSTALACIÓN DE COCINAS DE GAS DE 30"

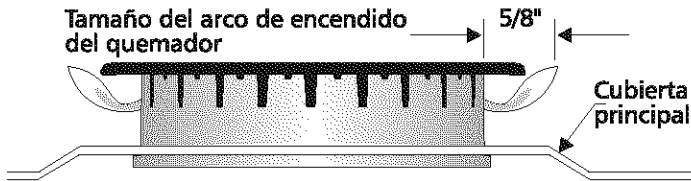
(Modelos con quemadores sellados)

8. Ajuste la configuración "LOW" ("BAJA") de la válvula del quemador de superficie (sólo en válvulas de flujo lineal):



Pruebe para comprobar si la configuración "LOW" ("BAJA") debe ser ajustada

- Presione hacia adentro y gire el control hacia LITE hasta que el quemador se encienda.
- Presione hacia adentro y gire rápidamente la perilla hacia la POSICIÓN MÁS BAJA.
- Si el quemador se apaga, lleve el control hacia la posición de OFF (APAGADO).
- Retire la perilla de control del quemador de superficie.
- Inserte un destornillador de hoja delgada en la válvula hueca y enganche el tornillo ranurado dentro. El tamaño de la llama puede ser aumentado o disminuido girando el tornillo. Gire a la izquierda para aumentar el tamaño de la llama. Gire a la derecha para disminuir el tamaño de la llama.



Ajuste el fuego hasta que pueda girar la perilla de manera rápida desde LITE hacia la POSICIÓN MÁS BAJA sin extinguir el fuego. El fuego debe ser tan pequeño como sea posible sin apagarlo. **Nota:** El ajuste de la mezcla de aire no es necesario en quemadores de superficie.

Operación en Quemadores del Horno y Ajustes de Horno

9. Quemadores de ignición eléctrica

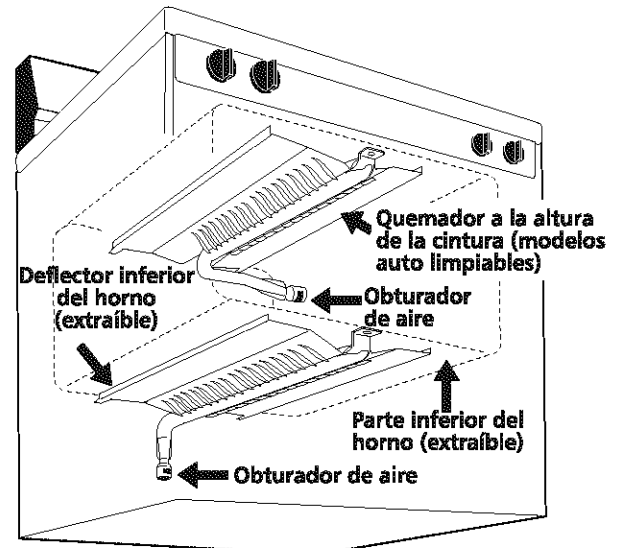
La operación de los encendedores eléctricos debe ser revisada luego que la cocina y los conectores de la línea de suministro han sido cuidadosamente revisados para descartar fugas y que la cocina ha sido conectada a la corriente eléctrica. El quemador del horno está equipado con un sistema de control eléctrico así como un encendedor de quemador de horno eléctrico. Si su modelo está equipado con un quemador de asado central superior, también contará con un encendedor de quemador eléctrico. Estos sistemas de control no requieren ajustes. Cuando el horno es configurado para operar, la corriente fluirá hacia el encendedor y tendrá un resplandor de manera similar a una bombilla de luz. Cuando el encendedor ha alcanzado una temperatura suficiente para encender el gas, la válvula del horno controlada eléctricamente se abrirá y el fuego aparecerá en el quemador del horno. Hay un lapso de tiempo de 30 a 60 segundos luego que el termostato se enciende antes que la llama aparezca en el quemador del horno. Cuando el horno

alcanza la configuración del dial, el encendedor resplandeciente se apagará. La llama del quemador desaparecerá por 20 a 30 segundos después que el encendedor se APAGUE. Para mantener cualquier temperatura de horno dada, este ciclo continuará tanto como el dial (o visualizador) esté configurado para operar.

Después de retirar todos los materiales del empaque y la literatura del horno:

- Fije el horno en HORNEAR (BAKE) a 300°F. Vea la Guía para Uso y Cuidado para conocer las instrucciones de funcionamiento.
- En 60 segundos, el quemador del horno se encenderá. Revise que exista un fuego adecuado, y permita que el quemador cumpla su ciclo una vez. Lleve los controladores hacia off (APAGADO).
- Si su modelo está equipado con un asador central superior, fije el horno en ASAR. Vea la Guía de Uso y Cuidado para conocer las instrucciones de funcionamiento.
- En 60 segundos el quemador de asar debe encenderse. Revise si existe una llama adecuada. Lleve los controles hacia off (APAGADO).

10. Obturador de Aire - Quemador del horno



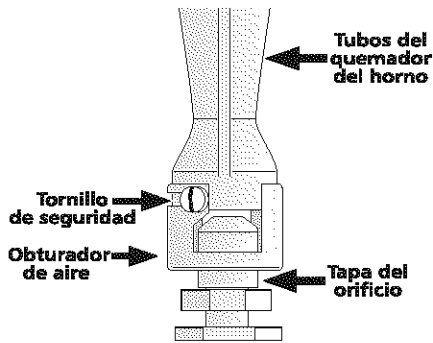
la longitud aproximada de la llama del quemador de horno es 1 pulgada (interior claro, flama azul). Para determinar si la llama del quemador de horno es la adecuada, retire el fondo del horno y el deflector del quemador y fije el horno en la opción hornear a 300°F.

Para retirar el fondo del horno, retire los tornillos de ajuste del horno en la parte posterior del fondo del horno. Jale hacia arriba, desenganche el frente del fondo del marco anterior del horno, y jale la base del horno hacia afuera de éste. Retire el deflector del quemador de manera que la llama del horno pueda ser observada.

Si la llama es de color amarillo, aumente el tamaño de la abertura del obturador de aire (Vea el tamaño "2" en el gráfico de abajo). Si la llama es de azul claro, reduzca el tamaño de la abertura del obturador de aire. Para ajustar un tornillo de cierre flojo (vea el gráfico "3" de abajo), vuelva a colocar el obturador de aire, y ajuste el tornillo de cierre. Reemplace el fondo del horno.

INSTRUCCIONES DE INSTALACIÓN DE COCINAS DE GAS DE 30"

(Modelos con quemadores sellados)



11. Obturador de aire - Quemador de asado

La longitud aproximada de la llama del quemador de asado es 1 pulgada (interior claro, flama azul). Para determinar si la llama del quemador de asado es la adecuada, el horno en la opción asar.

Si la llama es de color amarillo, aumente el tamaño de la abertura del obturador de aire (Vea el tamaño "2" en el gráfico de abajo). Si la llama es de azul claro, reduzca el tamaño de la abertura del obturador de aire. Para ajustar un tornillo de cierre flojo (vea el gráfico "3" de abajo), vuelva a colocar el obturador de aire, y ajuste el tornillo de cierre.

12. Asegúrese que la cocina está nivelada.

Nivele la cocina colocando un nivelador de manera horizontal sobre un soporte para hornos. Revise diagonalmente desde la parte anterior hacia atrás, luego nivele la cocina ya sea ajustando las patas de nivelación o colocando cuñas debajo de las esquinas de la cocina según sea necesario.

13. Luego que la instalación ha sido terminada, asegúrese que todos los controles son dejados en la posición de OFF (APAGADO).

Ubicación del Número de Modelo y de Serie

En los hornos de quemador sellado, la placa de identificación está ubicada sobre la superficie derecha del marco anterior del horno en el cajón para almacenar o calentar; o el área del panel inferior.

Al solicitar las partes o realizar pedidos sobre su cocina, siempre asegúrese de incluir el número de modelo y de serie y un número o letra de lote de la placa de datos técnicos que se encuentra en su cocina. Su placa de datos técnicos también le indica el promedio de sus quemadores, el tipo de combustible y la presión en la cual la cocina fue ajustada al salir de la fábrica.

Antes de llamar al servicio técnico

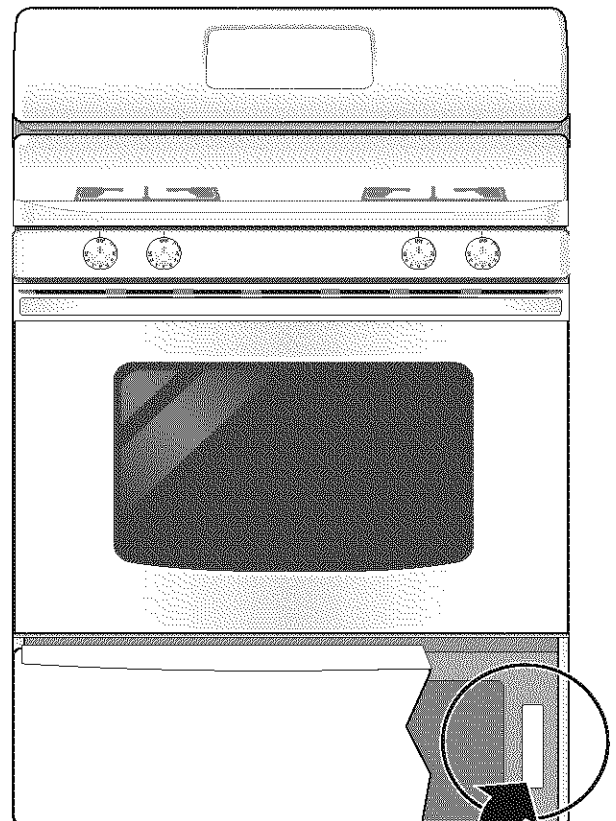
Lea las secciones "Antes de llamar" e instrucción sobre funcionamiento en su Guía de Uso y Cuidado. Puede ayudarlo a ahorrar tiempo y dinero.

La lista incluye problemas comunes que no son resultado de una manipulación o materiales defectuosos en este artefacto. Refiérase a la garantía en su Guía de Uso y Cuidado para obtener nuestro número telefónico gratuito de servicio técnico y nuestra dirección. Sírvase llamarnos o escribirnos en caso de dudas acerca del producto para su cocina y/o cualquier requerimiento de partes.

Cuidado, Limpieza y Mantenimiento

Refiérase a la Guía de Uso y Cuidado para conocer las instrucciones de limpieza.

Si es necesario retirar la cocina para la limpieza o mantenimiento, cierre el suministro de gas. Desconecte el suministro de gas y el suministro eléctrico. Si no tiene acceso al suministro de gas o eléctrico, levante la unidad levemente en el frente y sepárelo de la pared. Jale sólo lo necesario para desconectar el suministro de gas y de electricidad. Termine de retirar la unidad para realizar el servicio técnico y la limpieza. Vuelva a instalar en el orden inverso asegurándose de nivelar la cocina y revise las conexiones de gas para descartar la existencia de fugas. Vea la página 3, paso 1 para conocer las instrucciones sobre un adecuado aseguramiento en el piso.



Ubicación de la placa de datos técnicos: Abra el cajón para almacenar o calentar que se encuentra en la parte derecha del bastidor de la cocina.