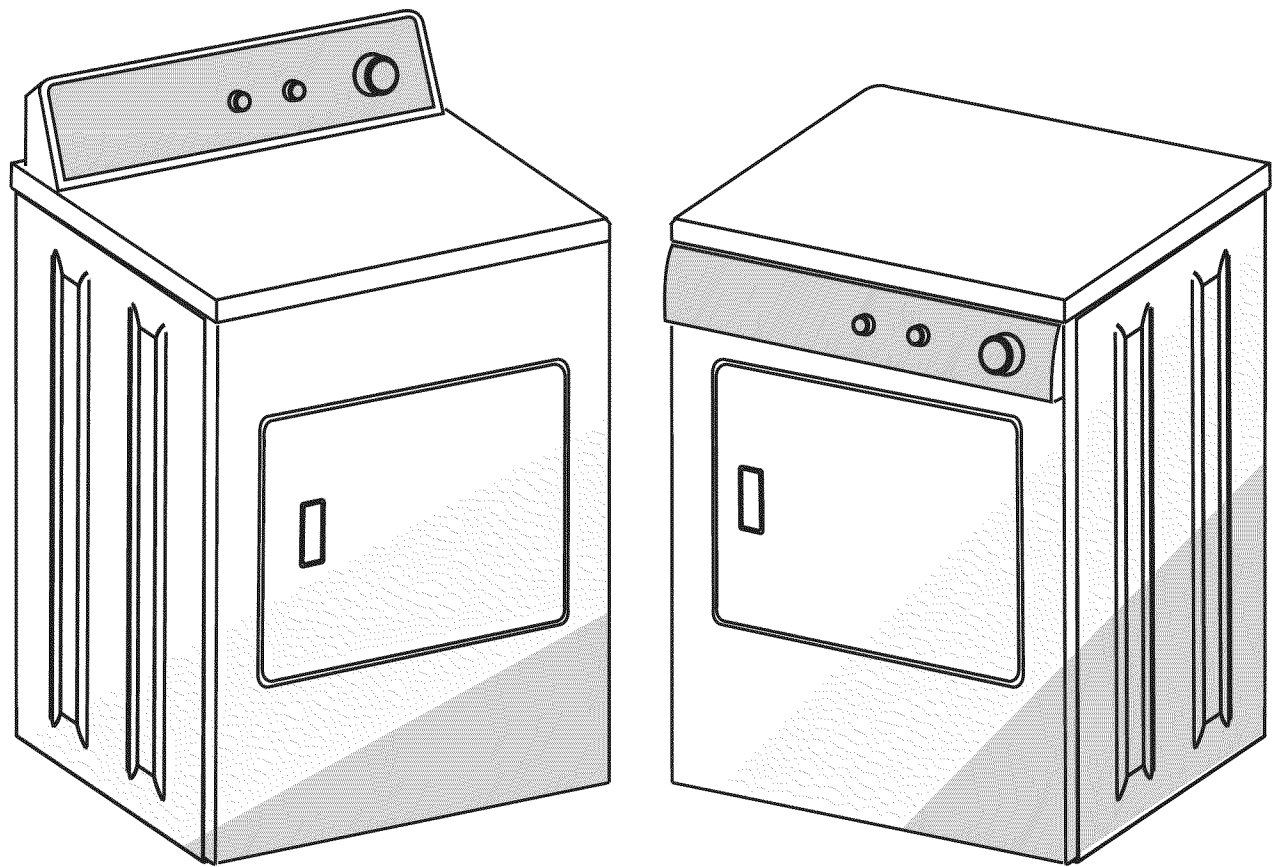

Installation Instructions

Gas & Electric Dryer

Instrucciones de Instalación

Secadora a Gas y Eléctrica



Printed in U.S.A.

P/N 137153400A (0903)

Table of Contents

Important Safety Instructions	2	Installation Instructions	9-11
Pre-installation Requirements	2	Reversing door.....	12
Installation Requirements.....	3-7	Accessories/Replacement parts.....	12
Installed Dimensions	8	Español.....	13

Important Safety Instructions

⚠ WARNING For your safety the information in this manual must be followed to minimize the risk of fire or explosion or to prevent property damage, personal injury or loss of life. Do not store or use gasoline or other flammable vapors and liquids in the vicinity of this or any other appliance.

Recognize safety symbols, words and labels

Safety items throughout this manual are labeled with a WARNING or CAUTION based on the risk type as described:

⚠ WARNING This symbol alerts you to situations that may cause serious body harm, death or property damage.

⚠ CAUTION This symbol alerts you to situations that may cause bodily injury or property damage.

⚠ WARNING - RISK OF FIRE - Read all of the following instructions before installing and using this appliance:

- Destroy the carton and plastic bags after the dryer is unpacked. Children might use them for play. Cartons covered with rugs, bedspreads, or plastic sheets can become airtight chambers causing suffocation. Place all materials in a garbage container or make materials inaccessible to children.
- Clothes dryer installation and service must be performed by a qualified installer, service agency or the gas supplier.
- Install the clothes dryer according to the manufacturer's instructions and local codes.
- The electrical service to the dryer must conform with local codes and ordinances and the latest edition of the National Electrical Code, ANSI/NFPA 70, or in Canada, the Canadian electrical code C22.1 part 1.
- The gas service to the dryer must conform with local codes and ordinances and the latest edition of the National Fuel Gas Code ANSI Z223.1, or in Canada, CAN/ACG B149.1-2000.
- The dryer is designed under ANSI Z 21.5.1 or ANSI/UL 2158 - CAN/CSA C22.2 No. 112 (latest editions) for HOME USE only. This dryer is not recommended for commercial applications such as restaurants, beauty salons, etc.
- Do not install a clothes dryer with flexible plastic venting material. Flexible venting materials are known to collapse, be easily crushed and trap lint. These conditions will obstruct clothes dryer airflow and increase the risk of fire.
- The instructions in this manual and all other literature included with this dryer are not meant to cover every possible condition and situation that may occur. Good safe practice and caution **MUST** be applied when installing, operating and maintaining any appliance.

WHAT TO DO IF YOU SMELL GAS:

- Do not try to light any appliance.
- Do not touch any electrical switch; do not use any phone in your building.
- Clear the room, building or area of all occupants.
- Immediately call your gas supplier from a neighbor's phone. Follow the gas supplier's instructions.
- If you cannot reach your gas supplier, call the fire department.

Save these instructions for future reference.

Pre-Installation Requirements

Tools and materials needed for installation:

- Adjustable pliers
- Phillips, straight, & square bit screw-drivers
- Adjustable wrench
- Pipe wrench for gas supply (gas dryer)
- LP-resistant thread tape (for natural gas or LP supply, gas dryer)
- Carpenter's level
- External vent hood
- 4-inch (10.2 cm), rigid metal or semi-rigid metal exhaust duct work
- 3-wire or 4-wire 240 volt cord kit (electric dryer)
- 4 in. (10.2 cm) clamp
- Gas line shutoff valve (gas dryer)
- ½ NPT union flare adapters (x2) and flexible gas supply line (gas dryer)
- Metal foil tape (not duct tape)

Electrical System Requirements

NOTE Because of potentially inconsistent voltage capabilities, the use of this dryer with power created by gas powered generators, solar powered generators, wind powered generators or any other generator other than the local utility company is not recommended.

Electrical requirements for electric dryer

CIRCUIT - Individual 30 amp. branch circuit fused with 30 amp. time delay fuses or circuit breakers. Use separately fused circuits for washer and dryer. DO NOT operate a washer and a dryer on the same circuit.

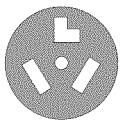
POWER SUPPLY - 3-wire or 4-wire, 240 volt, single phase, 60 Hz, Alternating Current.

IMPORTANT This dryer is internally grounded to neutral unless it was manufactured for sale in Canada. Grounding through the neutral link is prohibited for: (1) new branch circuit installations, (2) mobile homes, (3) recreational vehicles, and (4) areas where local codes do not permit grounding through the neutral.

OUTLET RECEPTACLE - NEMA 10-30R or NEMA 14-30R receptacle to be located so the power supply cord is accessible when the dryer is in the installed position.

GROUNDING CONNECTION - See "Grounding requirements" in Electrical Installation section.

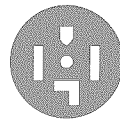
3-WIRE POWER SUPPLY CORD KIT (not supplied)



**3-wire receptacle
(NEMA type 10-30R)**

The dryer MUST employ a 3-conductor power supply cord NEMA 10-30 type SRDT rated at 240 volt AC minimum, 30 amp, with 3 open end spade lug connectors with upturned ends or closed loop connectors and marked for use with clothes dryers. For 3-wire cord connection instructions see ELECTRICAL CONNECTIONS FOR A 3-WIRE SYSTEM.

4-WIRE POWER SUPPLY CORD KIT (not supplied)



**4-wire receptacle
(NEMA type 14-30R)**

The dryer MUST employ a 4-conductor power supply cord NEMA 14-30 type SRDT or ST (as required) rated at 240 volt AC minimum, 30 amp, with 4 open end spade lug connectors with upturned ends or closed loop connectors and marked for use with clothes dryers. For 4-wire cord connection instructions see ELECTRICAL CONNECTIONS FOR A 4-WIRE SYSTEM.

NOTE Dryers manufactured for sale in Canada have factory-installed, 4-wire power supply cord (NEMA 14-30R).

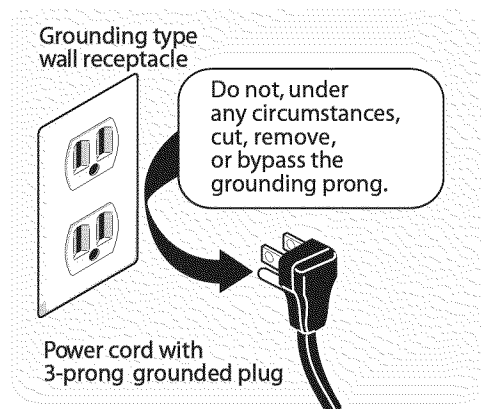
Electrical requirements for gas dryer

CIRCUIT - Individual, properly polarized and grounded 15 amp. branch circuit fused with 15 amp. time delay fuse or circuit breaker.

POWER SUPPLY - 2-wire, with ground, 120 volt, single phase, 60 Hz, Alternating Current.

POWER SUPPLY CORD - The dryer is equipped with a 120 volt 3-wire power cord.

GROUNDING CONNECTION - See "Grounding requirements" in Electrical Installation section.



Gas supply requirements

⚠ WARNING - EXPLOSION HAZARD - Uncoated copper tubing will corrode when subjected to natural gas, causing gas leaks. Use ONLY black iron, stainless steel, or plastic-coated brass piping for gas supply.

1. Installation MUST conform with local codes, or in the absence of local codes, with the National Fuel Gas Code, ANSI Z223.1 (latest edition).
2. The gas supply line should be 1/2 inch (1.27 cm) pipe.
3. If codes allow, flexible metal tubing may be used to connect your dryer to the gas supply line. The tubing MUST be constructed of stainless steel or plastic-coated brass.
4. The gas supply line MUST have an individual shutoff valve.
5. A 1/8 inch (0.32 cm) N.P.T. plugged tapping, accessible for test gauge connection, MUST be installed immediately upstream of the gas supply connection to the dryer.
6. The dryer MUST be disconnected from the gas supply piping system during any pressure testing of the gas supply piping system at test pressures in excess of 1/2 psig (3.45 kPa).
7. The dryer MUST be isolated from the gas supply piping system during any pressure testing of the gas supply piping system at test pressures equal to or less than 1/2 psig (3.45 kPa).
8. Connections for the gas supply must comply with the Standard for *Connectors for Gas Appliances*, ANSI Z21.24.

Exhaust system requirements

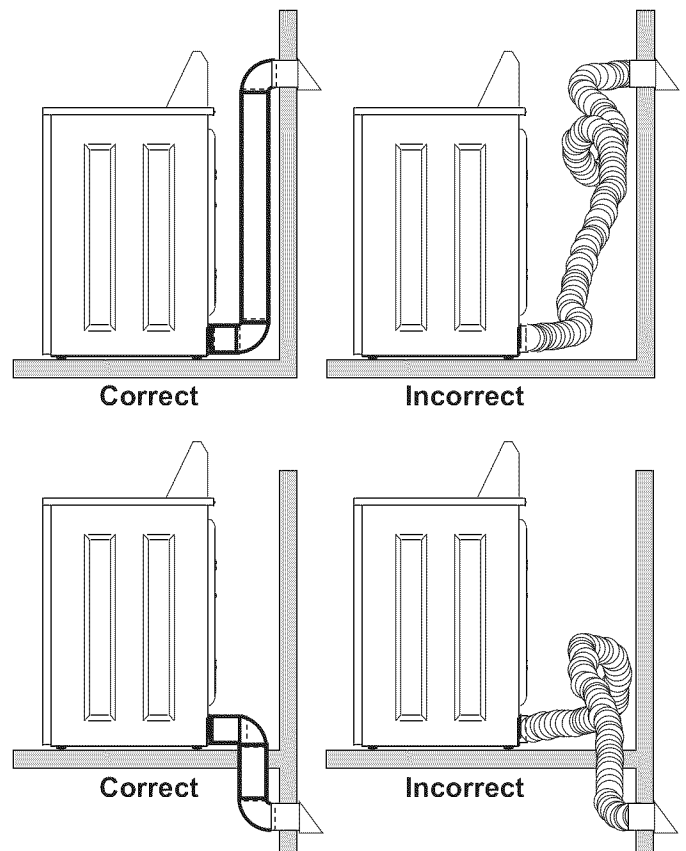
Use only 4 inch (10.2 cm) diameter (minimum) rigid or flexible metal duct and approved vent hood which has a swing-out damper(s) that open when the dryer is in operation. When the dryer stops, the dampers automatically close to prevent drafts and the entrance of insects and rodents. To avoid restricting the outlet, maintain a minimum of 12 inches (30.5 cm) clearance between the vent hood and the ground or any other obstruction.

⚠ WARNING - FIRE HAZARD - Failure to follow these instructions can create excessive drying times and fire hazards.

The following are specific requirements for proper and safe operation of your dryer.

⚠ WARNING - FIRE HAZARD - Do not install a clothes dryer with flexible plastic or metal foil venting materials. Flexible venting materials are known to collapse, be easily crushed and trap lint. These conditions will obstruct clothes dryer airflow and increase the risk of fire.

If your present system is made up of plastic duct or metal foil duct, replace it with a rigid or semi-rigid metal duct. Also, ensure the present duct is free of any lint prior to installing dryer duct.



Exhaust system requirements, continued

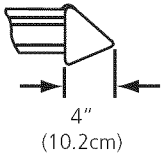
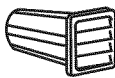
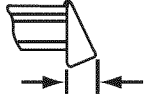
⚠ WARNING - FIRE HAZARD - A clothes dryer must be exhausted outdoors. Do not exhaust dryer into a chimney, a wall, a ceiling, an attic, a crawl space or any concealed space of a building. A clothes dryer produces combustible lint. If the dryer is not exhausted outdoors, some fine lint will be expelled into the laundry area. An accumulation of lint in any area of the home can create a health and fire hazard.

The dryer must be connected to an exhaust outdoors. Regularly inspect the outdoor exhaust opening and remove any accumulation of lint around the outdoor exhaust opening and in the surrounding area.

⚠ WARNING - FIRE HAZARD -

- Do not allow combustible materials (for example: clothing, draperies/curtains, paper) to come in contact with exhaust system. The dryer **MUST NOT** be exhausted into a chimney, a wall, a ceiling, or any concealed space of a building which can accumulate lint, resulting in a fire hazard.
- Do not screen the exhaust ends of the vent system, or use any screws, rivets or other fasteners that extend into the duct to assemble the exhaust system. Lint can become caught in the screen, on the screws or rivets, clogging the duct work and creating a fire hazard as well as increasing drying times. Use an approved vent hood to terminate the duct outdoors, and seal all joints with duct tape. All male duct pipe fittings **MUST** be installed downstream with the flow of air.

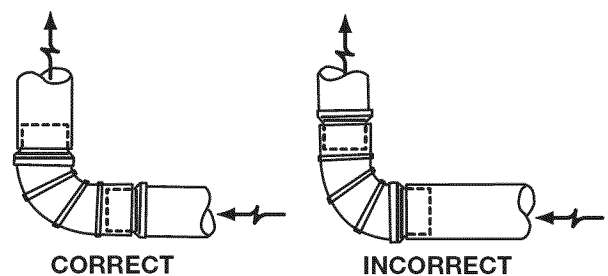
⚠ WARNING - FIRE HAZARD - Exceeding the length of duct pipe or number of elbows allowed in the "MAXIMUM LENGTH" charts can cause an accumulation of lint in the exhaust system. Plugging the system could create a fire hazard, as well as increase drying times.

Number of 90° turns	MAXIMUM LENGTH of 4" (10.2cm) Rigid Metal Duct	
	VENT HOOD TYPE	
	(Preferred)	
	 4" (10.2cm)	 louvered
		 2.5" (6.35cm)
0	60 ft. (18.3 m)	48 ft. (14.6 m)
1	52 ft. (15.9 m)	40 ft. (12.2 m)
2	44 ft. (13.5 m)	32 ft. (9.8 m)
3	32 ft. (9.8 m)	24 ft. (7.3 m)
4	28 ft. (9.5 m)	16 ft. (4.9 m)

⚠ WARNING - FIRE HAZARD -

- Do not install flexible plastic or flexible foil venting material.
- If installing semi-rigid venting, do not exceed 8 ft. (2.4 m) duct length.

Install male fittings in correct direction:



Exhaust system requirements, continued

In installations where the exhaust system is not described in the charts, the following method must be used to determine if the exhaust system is acceptable:

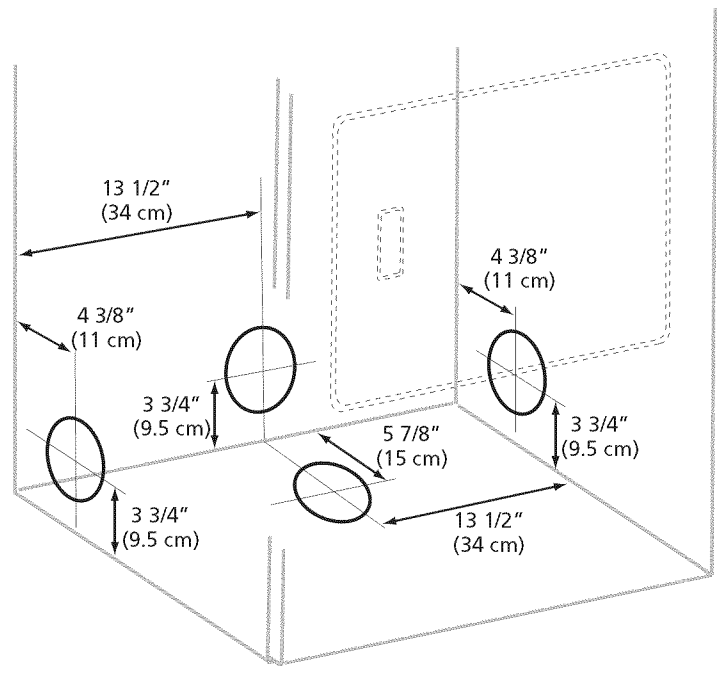
1. Connect an inclined or digital manometer between the dryer and the point the exhaust connects to the dryer.
2. Set the dryer timer and temperature to air fluff (cool down) and start the dryer.
3. Read the measurement on the manometer.
4. The system back pressure MUST NOT be higher than 0.75 inches of water column. If the system back pressure is less than 0.75 inches of water column, the system is acceptable. If the manometer reading is higher than .075 inches of water column, the system is too restrictive and the installation is unacceptable.

Although vertical orientation of the exhaust system is acceptable, certain extenuating circumstances could affect the performance of the dryer:

- Only the rigid metal duct work should be used.
- Venting vertically through a roof may expose the exhaust system to down drafts causing an increase in vent restriction.
- Running the exhaust system through an uninsulated area may cause condensation and faster accumulation of lint.
- Compression or crimping of the exhaust system will cause an increase in vent restriction.
- The exhaust system should be inspected and cleaned a minimum of every 18 months with normal usage. The more the dryer is used, the more often you should check the exhaust system and vent hood for proper operation.

Exhaust direction

All dryers shipped from the factory are set up for rear exhausting. However, on electric dryers, exhausting can be to the right or left side of the cabinet or the bottom of the dryer. On gas dryers, exhausting can be to the right side of the cabinet or the bottom of the dryer. Directional exhausting can be accomplished by installing Exhaust Kit, P/N 131456800, available through your parts distributor. Follow the instructions supplied with the kit.



Manufactured or mobile home installation

1. Installation MUST conform to current Manufactured Home Construction & Safety Standard, Title 24 CFR, Part 32-80 (formerly the Federal Standard for Mobile Home Construction and Safety, Title 24, HUD Part 280) or Standard CAN/CSA2240 MH.
2. Dryer MUST be exhausted outside (outdoors, not beneath the mobile home) using metal ducting that will not support combustion. Metal ducting must be 4 inches (10.16 cm) in diameter with no obstructions. Rigid metal duct is preferred.
3. If dryer is exhausted through the floor and area beneath the mobile home is enclosed, the exhaust system MUST terminate outside the enclosure with the termination securely fastened to the mobile home structure.
4. Refer to previous sections in this guide for other important exhaust venting system requirements.
5. When installing a gas dryer into a mobile home, a provision must be made for outside make up air. This provision is to be not less than twice the area of the dryer exhaust outlet.
6. Installer MUST anchor this (1) dryer or (2) dryer mounted on pedestal to the floor with approved Mobile Home Installation Kit - P/N 137067200.

Clearance requirements

⚠ WARNING - EXPLOSION HAZARD - Do not install the dryer where gasoline or other flammables are kept or stored. If the dryer is installed in a garage, it must be a minimum of 18 inches (45.7 cm) above the floor. Failure to do so can result in death, explosion, fire or burns.

IMPORTANT DO NOT INSTALL YOUR DRYER:

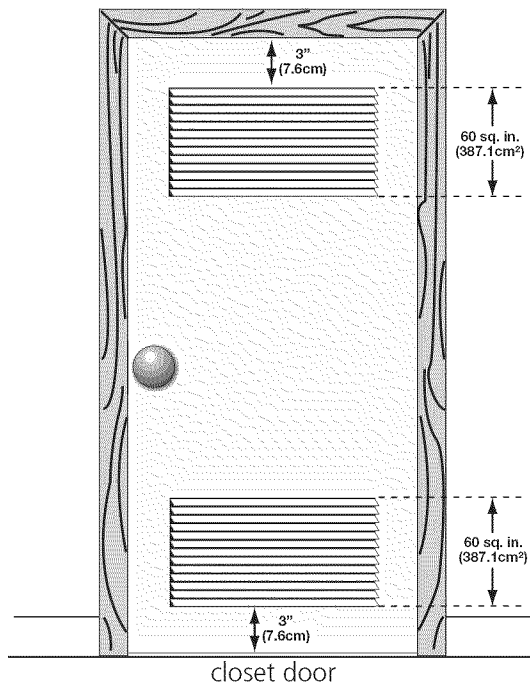
1. In an area exposed to dripping water or outside weather conditions.
2. In an area where it will come in contact with curtains, drapes, or anything that will obstruct the flow of combustion and ventilation air.
3. On carpet. Floor **MUST** be solid with a maximum slope of 1 inch (2.54 cm).

INSTALLATION IN A RECESS OR CLOSET

1. A dryer installed in a bedroom, bathroom, recess or closet, **MUST** be exhausted outdoors.
2. No other fuel burning appliance shall be installed in the same closet as the gas dryer.
3. Your dryer needs the space around it for proper ventilation.

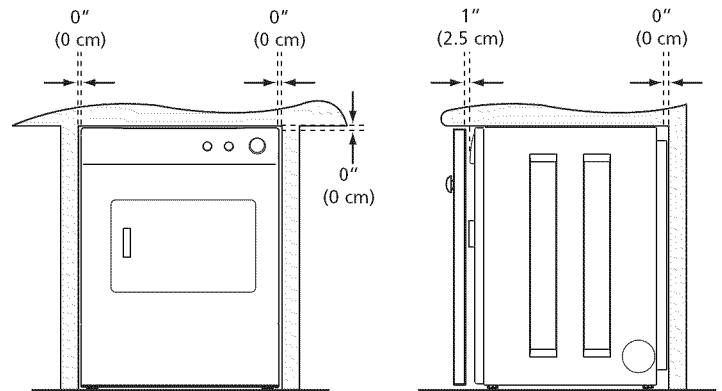
DO NOT install your dryer in a closet with a solid door.

4. Closet door ventilation required: A minimum of 120 square inches (774.2 cm²) of opening, equally divided at the top and bottom of the door, is required. Openings should be located 3 inches (7.6 cm) from bottom and top of door. Openings are required to be unobstructed when a door is installed. A louvered door with equivalent air openings for the full length of the door is acceptable.

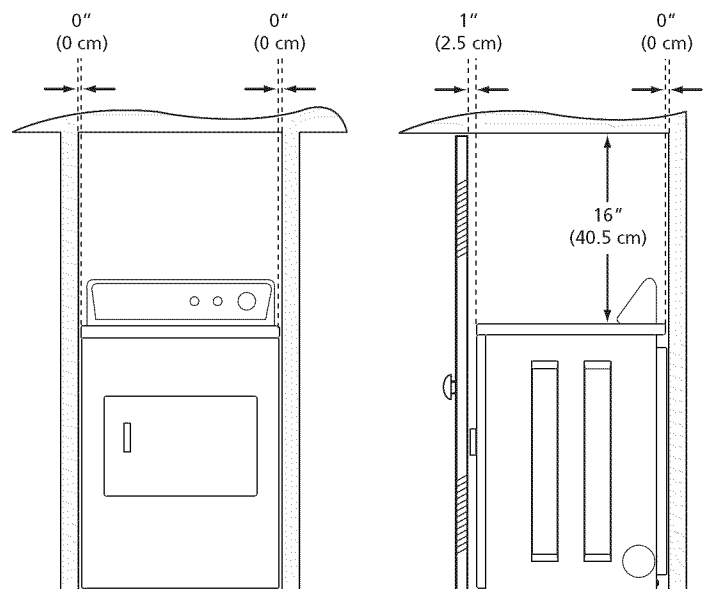


FRONT CONSOLE				
MINIMUM INSTALLATION CLEARANCES - Inches (cm)				
	SIDES	REAR	TOP	FRONT
Alcove	0" (0 cm)	0" (0 cm)	0" (0 cm)	n/a
Under-Counter*	0" (0 cm)	0" (0 cm)	0" (0 cm)	1" (2.5 cm)
Closet	0" (0 cm)	0" (0 cm)	0" (0 cm)	1" (2.5 cm)

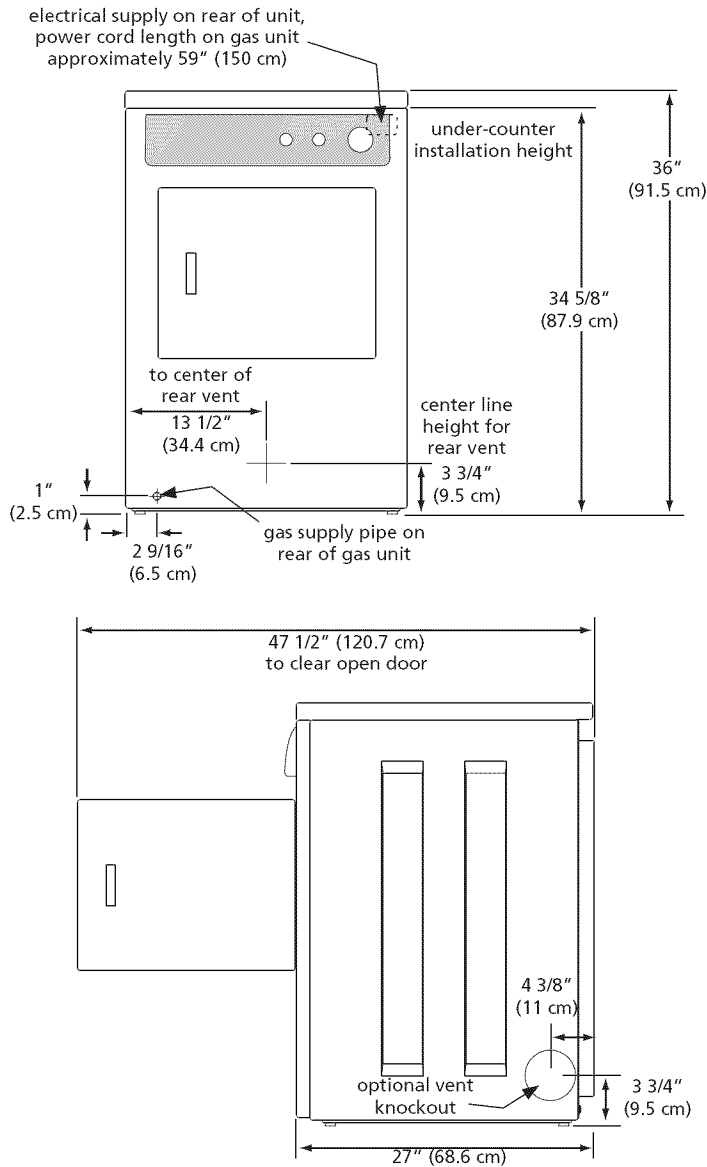
*For under-counter installation, top panel must be removed and kit number 131629100 must be installed. Kit is available from an authorized parts distributor.



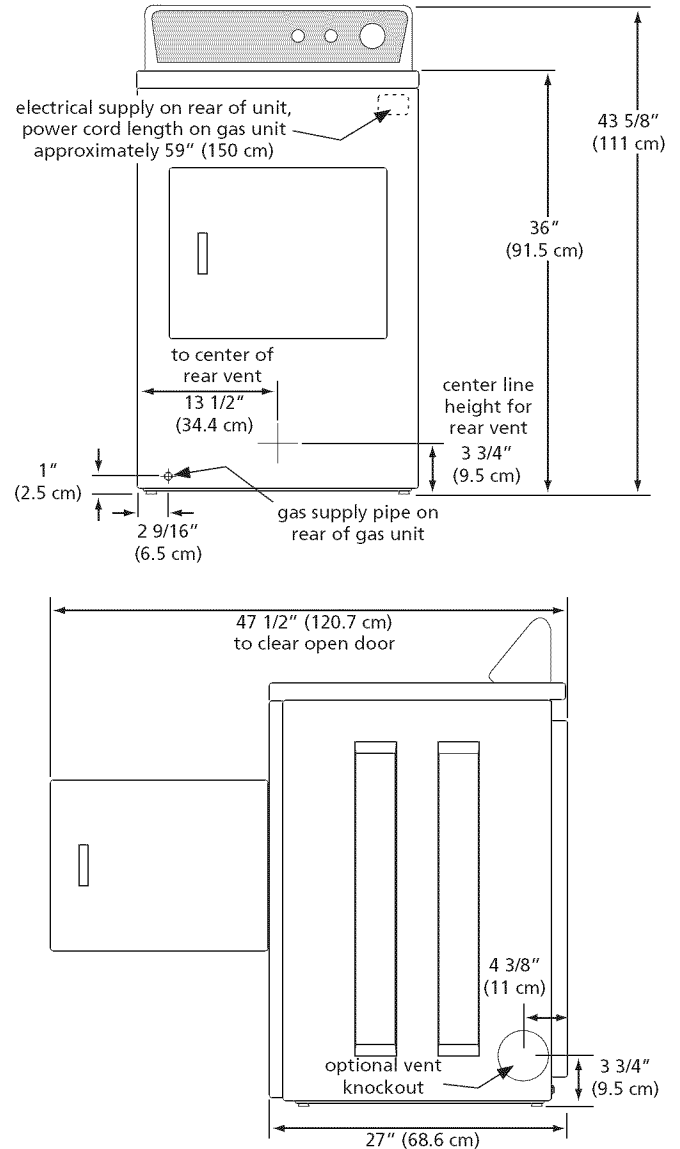
REAR CONSOLE				
MINIMUM INSTALLATION CLEARANCES - Inches (cm)				
	SIDES	REAR	TOP	FRONT
Alcove	0" (0 cm)	0" (0 cm)	16" (40.5 cm)	n/a
Under-Counter	n/a	n/a	n/a	n/a
Closet	0" (0 cm)	0" (0 cm)	16" (40.5 cm)	1" (2.5 cm)



Front Console Dimensions



Rear Console Dimensions



Electrical installation

The following are specific requirements for proper and safe electrical installation of your dryer. Failure to follow these instructions can create electrical shock and/or a fire hazard.

⚠ WARNING - ELECTRICAL SHOCK HAZARD -

- This appliance **MUST** be properly grounded. Electrical shock can result if the dryer is not properly grounded. Follow the instructions in this manual for proper grounding.
- Do not use an extension cord with this dryer. Some extension cords are not designed to withstand the amounts of electrical current this dryer utilizes and can melt, creating electrical shock and/or fire hazard. Locate the dryer within reach of the receptacle for the length power cord to be purchased, allowing some slack in the cord. Refer to the pre-installation requirements in this manual for the proper power cord to be purchased.

⚠ WARNING - ELECTRICAL SHOCK HAZARD -

- A U.L.-approved strain relief must be installed onto power cord. If the strain relief is not attached, the cord can be pulled out of the dryer and can be cut by any movement of the cord, resulting in electrical shock.
- Do not use an aluminum wired receptacle with a copper wired power cord and plug (or vice versa). A chemical reaction occurs between copper and aluminum and can cause electrical shorts. The proper wiring and receptacle is a copper wired power cord with a copper wired receptacle.

NOTE Dryers operating on 208 volt power supply will have longer drying times than dryers operating on 240 volt power supply.

Grounding requirements - Electric dryer (USA)

⚠ WARNING - ELECTRICAL SHOCK HAZARD - Improper connection of the equipment grounding conductor can result in a risk of electrical shock. Check with a licensed electrician if you are in doubt as to whether the appliance is properly grounded.

For a grounded, cord-connected dryer:

1. The dryer **MUST** be grounded. In the event of a malfunction or breakdown, grounding will reduce the risk of electrical shock by a path of least resistance for electrical current.
2. After you purchase and install a 3 wire or 4 wire power supply cord having an equipment-grounding conductor and a grounding plug that matches you wiring system,

the plug **MUST** be plugged into an appropriate, copper wired receptacle that is properly installed and grounded in accordance with all local codes and ordinances. If in doubt, call a licensed electrician.

DO NOT modify the plug you've installed on this appliance.

For a permanently connected dryer:

1. The dryer **MUST** be connected to a grounded metal, permanent wiring system; or an equipment grounding conductor must be run with the circuit conductors and connected to the equipment-grounding terminal or lead on the appliance.

Grounding requirements - Electric dryer (Canada)

⚠ WARNING - ELECTRICAL SHOCK HAZARD - Improper connection of the equipment grounding conductor can result in a risk of electrical shock. Check with a licensed electrician if you are in doubt as to whether the appliance is properly grounded.

For a grounded, cord-connected dryer:

1. The dryer **MUST** be grounded. In the event of a malfunction or breakdown, grounding will reduce the risk of electrical shock by a path of least resistance for electrical current.

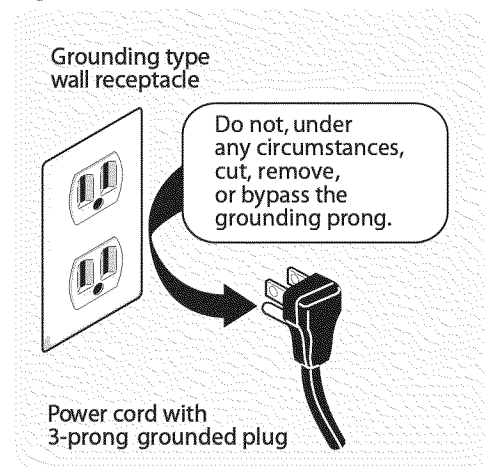
2. Since your dryer is equipped with a power supply cord having an equipment-grounding conductor and a grounding plug, the plug must be plugged into an appropriate outlet that is properly installed and grounded in accordance with all local codes and ordinances. If in doubt, call a licensed electrician.

DO NOT modify the plug provided with the appliance.

Grounding requirements - Gas dryer (USA and Canada)

1. The dryer is equipped with a three-prong (grounding) plug for your protection against shock hazard and should be plugged directly into a properly grounded three-prong receptacle.
2. The plug must be plugged into an appropriate outlet that is properly installed and grounded in accordance with all local codes and ordinances. If in doubt, call a licensed electrician.

DO NOT cut or remove ground prong from the plug.

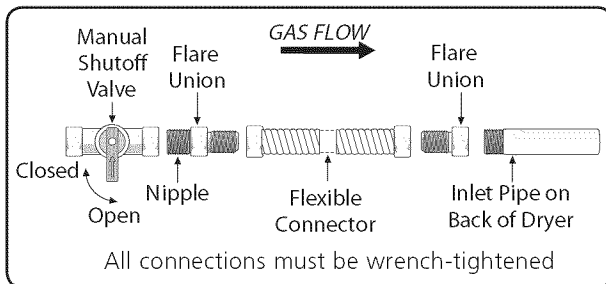


Gas connection

1. Remove the shipping cap from gas pipe at the rear of the dryer.

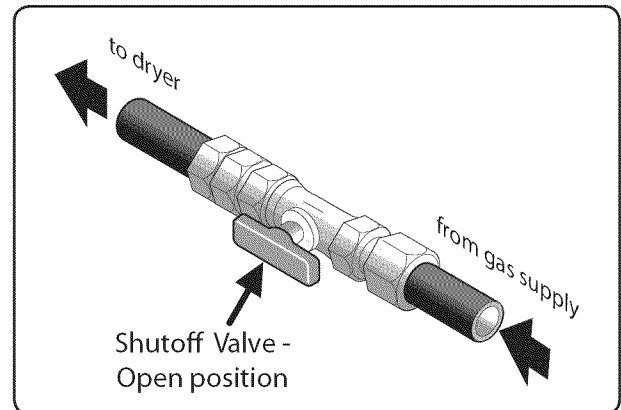
IMPORTANT DO NOT connect the dryer to L.P. gas service without converting the gas valve. An L.P. conversion kit must be installed by a qualified gas technician.

2. Connect a 1/2 inch (1.27 cm) I.D. semi-rigid or approved pipe from gas supply line to the 3/8 inch (0.96 cm) pipe located on the back of the dryer. Use a 1/2 inch to 3/8 inch (1.27 cm to 0.96 cm) reducer for the connection. Apply an approved thread sealer that is resistant to the corrosive action of liquefied gases on all pipe connections.



IMPORTANT The supply line must be equipped with an approved manual shutoff valve. This valve should be located in the same room as the dryer and should be in a location that allows ease of opening and closing. Do not block access to the gas shutoff valve.

3. Open the shutoff valve in the gas supply line to allow gas to flow through the pipe. Wait a few minutes for gas to move through the gas line.



4. Check for gas system leaks with a manometer. If a manometer is not available, test all connections by brushing on a soapy water solution.

WARNING - EXPLOSION HAZARD - NEVER test for gas leaks with an open flame.

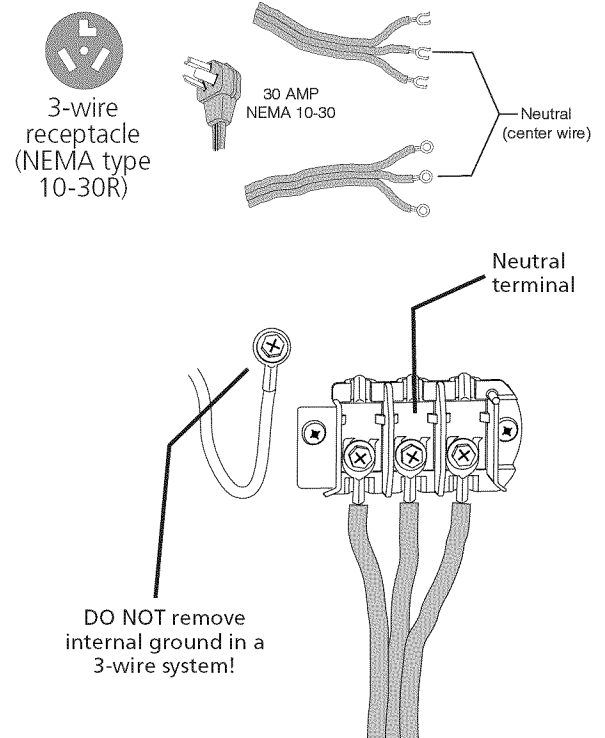
Electrical connection (non-Canada) 3-wire cord

WARNING - ELECTRICAL SHOCK HAZARD - Failure to disconnect power source before servicing could result in personal injury or even death.

1. Turn off power supply to outlet.
2. Remove the screw securing the terminal block access cover in the upper corner on the back of the dryer.
3. Install a UL-approved strain relief according to the power cord/strain relief manufacturer's instructions in the power cord entry hole below the access panel. At this time, the strain relief should be loosely in place.
4. Thread an UNPLUGGED, UL-approved, 30 amp. power cord, NEMA 10-30 type SRDT, through the strain relief.
5. Attach the power cord neutral (center wire) conductor to the SILVER colored center terminal on the terminal block. Tighten the screw securely.
6. Attach the remaining two power cord outer conductors to the outer, BRASS colored terminals on the terminal block. Tighten both screws securely.

WARNING - ELECTRICAL SHOCK HAZARD - Do not make a sharp bend or crimp wiring/conductor at connections.

7. Follow manufacturer's guidelines for firmly securing the strain relief and power cord.
8. Reinstall the terminal block cover.

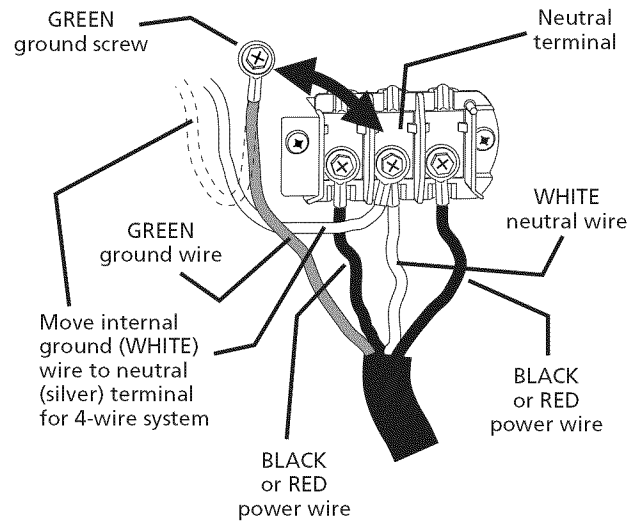
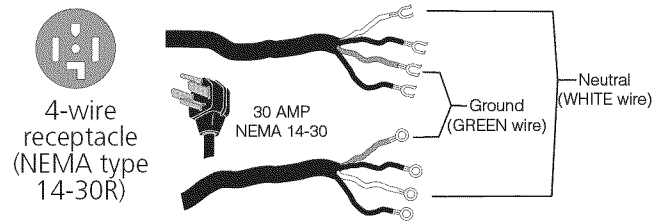


IMPORTANT If moving dryer from a 4-wire system and installing it in a 3-wire system, move the internal ground from the center terminal back to the GREEN screw next to the terminal block.

Electrical connection (non-Canada) 4-wire cord

⚠ WARNING - ELECTRICAL SHOCK HAZARD - Failure to disconnect power source before servicing could result in personal injury or even death.

1. Turn off power supply to outlet.
2. Remove the screw securing the terminal block access cover in the upper corner on the back of the dryer.
3. Install a UL-approved strain relief according to the power cord/strain relief manufacturer's instructions in the power cord entry hole below the access panel. At this time, the strain relief should be loosely in place.
4. Thread an UNPLUGGED, UL-approved, 30 amp. power cord, NEMA 14-30 type ST or SRDT, through the strain relief.
5. Disconnect the internal (WHITE) dryer harness ground wire from the (GREEN) ground screw next to the terminal block.
6. Attach the ground (GREEN) power cord wire to the cabinet with the ground (GREEN) screw. Tighten the screw securely.
7. Move the internal dryer harness ground (WHITE) wire to the terminal block and attach it along with the neutral (WHITE) power cord wire conductor to the center, SILVER colored terminal on the terminal block. Tighten the screw securely.
8. Attach the RED and BLACK power cord conductors to the outer, BRASS colored terminals on the terminal block. Tighten both screws securely.

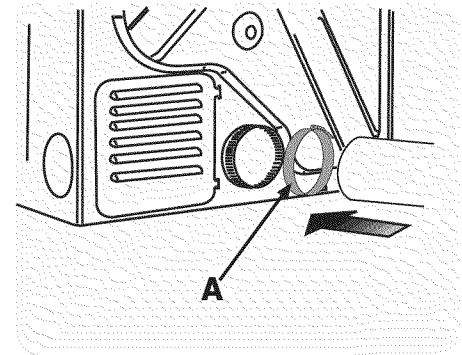


⚠ WARNING - ELECTRICAL SHOCK HAZARD - Do not make a sharp bend or crimp wiring/conductor at connections.

9. Follow manufacturer's guidelines for firmly securing the strain relief and power cord.
10. Reinstall the terminal block cover.

General installation

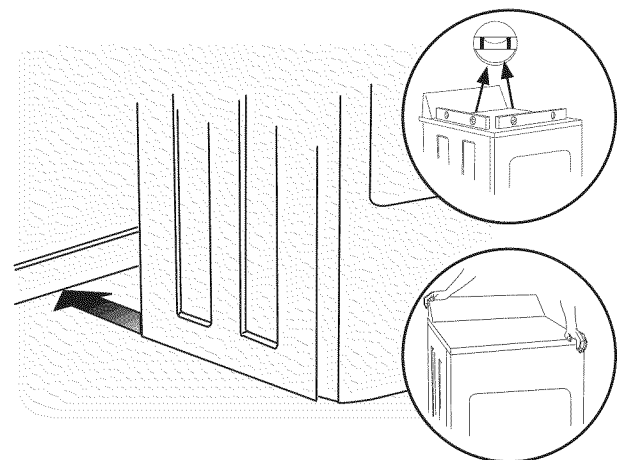
1. Connect the exhaust duct to the outside exhaust system (see pages 4 through 6). Use of a 4" (10.2 cm) clamp (item A) is recommended to connect the dryer to the exhaust vent system. Use metal foil tape to seal all other joints.
2. Carefully slide the dryer to its final position. Adjust one or more of the legs until the dryer is resting solidly on all four legs. Place a level on top of the dryer. The dryer MUST be level and resting solidly on all four legs. Rock alternating corners to check for stability. Remove and discard door tape.



IMPORTANT Be sure the power is off at a circuit breaker/fuse box before plugging the power cord into an outlet.

3. Plug the power cord into a grounded outlet.
4. Turn on the power at the circuit breaker/fuse box.
5. Read the *Use & Care Guide* provided with the dryer. It contains valuable and helpful information that will save you time and money.
6. If you have any questions during initial operation, please review the "Avoid Service Checklist" in your *Use & Care Guide* before calling for service.
7. Place these instructions in a location near the dryer for future reference.

NOTE A wiring diagram and technical data sheet are located inside the dryer console.



Door Reversal

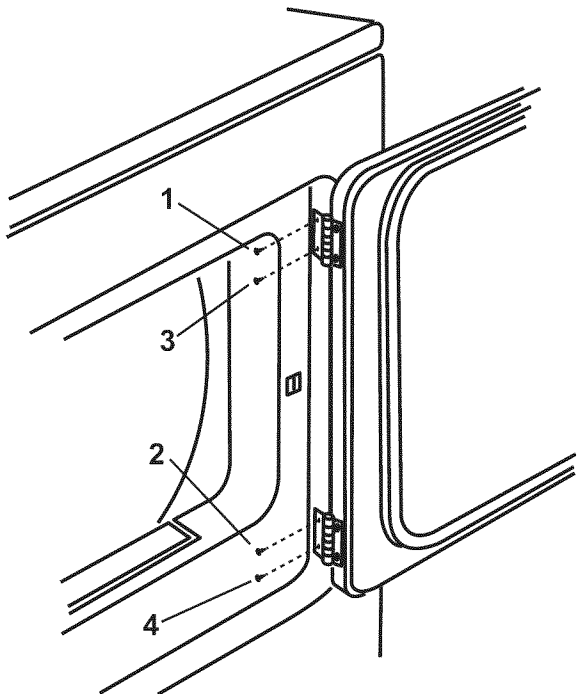
Your dryer is designed so the door swing may be reversed at any time without additional parts. Conversion is accomplished by transferring hinges to the opposite side of the cabinet.

To change the direction of the door opening:

1. Open the dryer door. Remove the four hinge hole plugs from the left side of the door opening. Place nearby for future installation.

NOTE You may need a plastic knife to help pull out the plugs. Be careful not to scratch the paint.

2. Remove the four screws that secure the door hinges to the dryer front panel (see below).



3. Rotate the door 180° and reinstall the door hinges to the dryer front panel with the four screws.
4. Install the four hinge hole plugs in the open screw holes on the opposite side of the door opening.

Replacement parts:

If replacement parts are needed for your dryer, contact the source where you purchased your dryer.

⚠ WARNING - **ELECTRICAL SHOCK HAZARD** - Label all wires prior to disconnection when servicing controls. Wiring errors can cause improper and dangerous operation. Verify proper operation after servicing.

Accessories

⚠ CAUTION Failure to use accessories manufactured by (or approved by) the manufacturer could result in personal injury, property damage or damage to the dryer.

LP CONVERSION KIT

P/N PCK2003

Gas dryers intended for use in a location supplied with LP must use a conversion kit prior to installation.

MOBILE HOME INSTALLATION KIT

P/N 137067200

Installations in mobile homes require use of MOBILE HOME INSTALLATION KIT.

DRYING RACK

Depending on the model you purchased, a drying rack may have been included in the initial purchase of your dryer. If your model did not include a drying rack or you desire another drying rack, you may order one from your local parts distributor.

DIRECTIONAL VENTING KIT

P/N 131456800

Order this kit to utilize the side venting option of the dryer. Additional hardware available from your local hardware store will be necessary.

TOUCH UP PAINT PENS

White Touch Up Pen - P/N 5303321319

Bisque Touch Up Bottle - P/N 5304414035

Black Touch Up Pen - P/N 5304458932

UNDER-COUNTER INSTALLATION KIT (front console model only)

For under-counter installation, top panel must be removed and kit number 131629100 must be installed.

DRYER STACKING KIT (front console model only)

P/N 5303937141

Depending on the model you purchased, a kit for stacking this dryer on top of matching washer may have been included in the initial purchase of your dryer. If your model did not include a stacking kit or you desire another stacking kit, you may order one.

15 INCH (38 cm) PEDESTAL (front console model only)

A pedestal accessory, specifically designed for this dryer may be used to elevate the dryer for ease of use. This pedestal will add about 15" (38 cm) to the height of your unit for a total height of 51.25" (130 cm). Contact the location where you purchased your dryer.

Índice

Instrucciones importantes de seguridad.....	13	Instrucciones de instalación.....	19-22
Requisitos de preinstalación	13	Inversión de la puerta.....	23
Requisitos de instalación	14-18	Accesorios/Piezas de repuesto	23
Dimensiones de la lavadora instalada	19		

Instrucciones importantes de seguridad

⚠ ADVERTENCIA Para su seguridad, debe seguir la información de esta guía para minimizar el riesgo de incendio o explosión o para evitar daños a la propiedad, lesiones personales o incluso la muerte. No almacene ni utilice gasolina ni otros líquidos o vapores inflamables cerca de este o de cualquier otro electrodoméstico.

Identificación de los símbolos, palabras y avisos de seguridad

Las indicaciones de seguridad incluidas en este manual aparecen precedidas de un aviso titulado "ADVERTENCIA" o "PRECAUCIÓN", de acuerdo con el nivel de riesgo.

⚠ ADVERTENCIA Este símbolo le advierte sobre situaciones que pueden causar lesiones personales graves, la muerte o daños materiales.

⚠ PRECAUCIÓN Este símbolo le advierte sobre situaciones que pueden causar lesiones personales o daños materiales.

Lea las siguientes instrucciones antes de instalar y utilizar este electrodoméstico:

- Después de desembalar la secadora, destruya los cartones y las bolsas de plástico. Los niños podrían utilizarlos para jugar. Los cartones cubiertos con alfombras, cubrecamas, o láminas de plástico pueden convertirse en cámaras de aire herméticamente cerradas y provocar asfixia. Coloque todos los materiales en un basurero o manténgalos fuera del alcance de los niños.
- La instalación y el servicio de la secadora de ropa deben ser llevados a cabo por un instalador calificado, agencia de servicios o proveedor de gas.
- Instale la secadora de ropa de acuerdo con las instrucciones del fabricante y los códigos locales.
- La reparación eléctrica de la secadora debe cumplir con los códigos y las ordenanzas locales y la última edición del Código Eléctrico Nacional (National Electrical Code), el ANSI/NFPA 70, o bien en Canadá, el CSA C22.1 del Código Eléctrico de Canadá (Canadian Electrical Code) Parte 1.
- El servicio de gas de la secadora debe cumplir con los códigos y las ordenanzas locales, y la última edición del Código de Gas Nacional (National Fuel Gas Code), el ANSI Z223.1, o bien en Canadá, el CAN/CGA B149,1-2000.
- La secadora se diseñó conforme a los códigos ANSI Z 21.5.1 o ANSI/UL 2158 - CAN/CSA C22.2 N.º 112 (últimas ediciones) solo para USO DOMÉSTICO. No se recomienda esta secadora para uso comercial, como por ejemplo, en restaurantes, salones de belleza, etc.
- Las instrucciones de esta guía y todo el material que se incluye con esta secadora no tienen como propósito cubrir todas las condiciones y situaciones que puedan presentarse. Cuando instale, opere o repare cualquier artefacto DEBE tener cuidado y hacer uso de buenas prácticas de seguridad.

QUÉ HACER SI SIENTE OLOR A GAS:

- No intente encender ningún electrodoméstico.
- No toque ningún interruptor eléctrico; no utilice ningún teléfono en la vivienda.
- Despeje la habitación, el edificio o el área de todos los ocupantes.
- Llame inmediatamente a su proveedor de gas desde el teléfono de un vecino. Siga las instrucciones del proveedor de gas.
- Si no puede ponerse en contacto con el proveedor de gas, llame a los bomberos.

Conserve estas instrucciones para referencia futura.

Requisitos de preinstalación

Herramientas y materiales necesarios para la instalación:

- Pinzas ajustables
- Destornilladores Philips con punta derecha y cuadrada
- Llave ajustable
- Llave para tubos de suministro de gas
- Cinta aislante resistente al gas LP (para suministro de gas natural o LP)
- Nivel de carpintero
- Capucha de ventilación externa
- Conducto de escape de metal rígido o semirígido de 4 pulgadas (10 cm)
- Kit de cables de alimentación trifilar o tetrafililar de 240 voltios (secadora eléctrica)
- Abrazadera de 4" (10,2 cm)
- Válvula de cierre de línea de gas (secadora a gas)
- Adaptadores NPI de unión acampanada (x2) y línea flexible de suministro de gas (secadora a gas) de ½' (15,2 cm)
- Cinta de papel aluminio (no cinta adhesiva aislante)

Requisitos del sistema eléctrico

NOTA Debido a posibles variaciones en el voltaje, no se recomienda utilizar esta secadora con electricidad generada a partir de generadores a gas, solares, eólicos ni de ninguna otra clase que no sean los empleados por su empresa de electricidad local.

Requisitos eléctricos de la secadora eléctrica:

CIRCUITO: circuito independiente individual de 30 amp. con fusibles de acción retardada o disyuntores. Use circuitos con fusibles separados para la lavadora y la secadora. NO haga funcionar una lavadora y una secadora en el mismo circuito.

SUMINISTRO ELÉCTRICO: trifilar o tetrafilar, 240 V, 1 fase, 60 Hz, corriente alterna.

IMPORTANTE A menos que haya sido fabricada para la venta en Canadá, esta secadora está conectada a tierra internamente a través de un enlace a un conductor neutro. La conexión a tierra a través del neutro está prohibida para: (1) instalaciones de circuitos de bifurcación nuevos; (2) casas rodantes; (3) vehículos recreativos; y (4) áreas cuyas leyes locales no permiten la puesta a tierra a través del neutro.

RECEPTÁCULO DEL TOMACORRIENTE - receptáculo NEMA 10-30 R o NEMA 14-30 R que debe estar ubicado en un lugar al que pueda acceder el cable de alimentación eléctrica cuando la secadora esté instalada.

CONEXIÓN A TIERRA: consulte "Requisitos de conexión a tierra" en la sección Instalación eléctrica.

CABLE DE ALIMENTACIÓN ELÉCTRICA TRIFILAR (no incluido)



Receptáculo trifilar (tipo NEMA 10-30R)

La secadora DEBE emplear un cable de alimentación eléctrica de 3 conductores tipo NEMA 10-30, SRDT calificado para CA mínima de 240 voltios, 30 amp., con 3 conectores de terminal horquilla con extremos doblados hacia arriba o de bucle cerrado y calificados para uso en secadoras de ropa. Para obtener instrucciones sobre la conexión trifilar, consulte CONEXIONES ELÉCTRICAS PARA UN SISTEMA TRIFILAR.

CABLE DE ALIMENTACIÓN ELÉCTRICA TETRAFILAR (no incluido)



Receptáculo tetrafilar (tipo NEMA 14-30R)

La secadora DEBE emplear un cable de alimentación eléctrica de 4 conductores tipo NEMA 14-30, SRDT o ST (según se especifique) calificado para CA mínima de 240 voltios, 30 amp., con 4 conectores de terminal horquilla con extremos doblados hacia arriba o de bucle cerrado y calificados para uso en secadoras de ropa. Para obtener instrucciones sobre la conexión tetrafilar, consulte CONEXIONES ELÉCTRICAS PARA UN SISTEMA TETRAFILAR.

NOTA Las secadoras fabricadas para la venta en Canadá vienen con un cable de alimentación eléctrica tetrafilar (NEMA 14-30R) de fábrica.

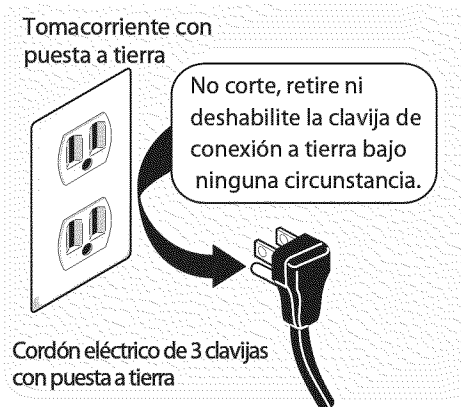
Requisitos eléctricos de la secadora a gas:

CIRCUITO - Circuito individual de bifurcación de 15 amp., correctamente polarizado y con conexión a tierra con fusible de retardo de 15 amp. o con interruptor automático.

SUMINISTRO ELÉCTRICO: corriente alterna de 2 cables, con conexión a tierra, 120 voltios, monofásica, 60 Hz.

CABLE DE ALIMENTACIÓN ELÉCTRICA: la secadora está equipada con un cable de alimentación trifilar de 120 voltios.

CONEXIÓN A TIERRA: consulte "Requisitos de conexión a tierra" en la sección Instalación eléctrica.



Requerimientos del suministro de gas

⚠ ADVERTENCIA - PELIGRO DE EXPLOSIÓN - Las tuberías de cobre sin recubrimiento se corroen al exponerse al gas natural, lo que provoca pérdidas de gas. Utilice SOLAMENTE tuberías de hierro negro, acero inoxidable o latón plastificado para el suministro de gas.

1. La instalación DEBE realizarse de acuerdo con los códigos locales o, en ausencia de ellos, con el Código de Gas Nacional (National Fuel Gas Code), ANSI Z223.1 (última edición).
2. La línea de suministro de gas debe ser un tubo de 1,27 cm (1/2 pulgada).
3. Si los códigos lo permiten, se puede utilizar un tubo de metal flexible para conectar la secadora a la línea de suministro de gas. La tubería DEBE ser de acero inoxidable o de latón plastificado.

4. La línea de suministro de gas DEBE tener una válvula de cierre individual.
5. Se DEBE instalar una derivación N.P.T de 0,32 cm (1/8 pulgadas) con tapón roscado, que permita conectar un medidor de prueba, inmediatamente después de la conexión de suministro de gas a la secadora, en contracorriente al flujo de gas.
6. La secadora DEBE estar desconectada de la tubería de gas durante cualquier prueba en la que la presión exceda los 3,45 kPa (1/2 psig).
7. La secadora DEBE estar aislada de la tubería de gas durante cualquier prueba en la que la presión sea igual o inferior a 3,45 kPa (1/2 psig).
8. Las conexiones del suministro de gas deben cumplir con la norma de conexiones de electrodomésticos a gas, ANSI Z21.24.

Requisitos del sistema de escape

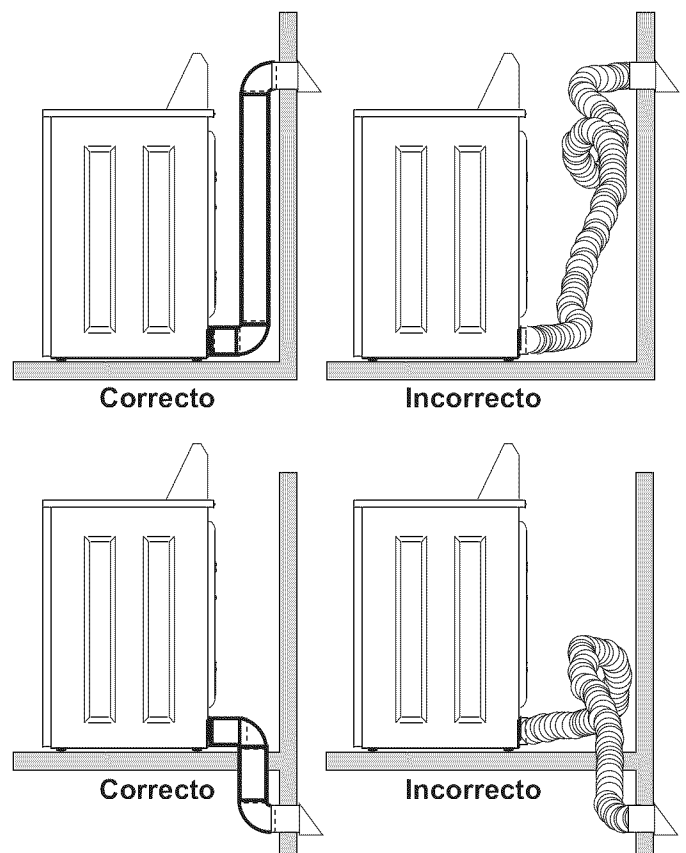
Utilice solo un conducto de metal flexible o rígido de 10,2 cm (4 pulgadas) de diámetro (mínimo) y una capucha de ventilación aprobada que tenga uno o más reguladores de tiro que se abran cuando la secadora esté en funcionamiento. Cuando la secadora se detiene, el regulador de tiro se cierra automáticamente para evitar la corriente de aire y el ingreso de insectos y roedores. Para evitar restringir la salida del conducto, mantenga un espacio mínimo de 30,5 cm (12 pulgadas) entre la capucha de ventilación y el suelo, o cualquier otra obstrucción.

⚠ ADVERTENCIA - PELIGRO DE INCENDIO - El no seguir estas instrucciones puede producir tiempos de secado excesivos y peligro de incendio.

Los siguientes son requisitos necesarios para el funcionamiento seguro y correcto de su secadora.

⚠ ADVERTENCIA - PELIGRO DE INCENDIO - No utilice materiales de ventilación de plástico ni de papel de aluminio flexibles para instalar la secadora de ropa. Por lo general, dichos materiales se desarman, se deterioran con facilidad y acumulan pelusa. Estas condiciones obstruyen el flujo de aire de la secadora y aumentan el riesgo de incendio.

Si su sistema actual está compuesto de un conducto de plástico o papel de aluminio, reemplácelo por un conducto de metal rígido o semirígido. Asegúrese de que el conducto existente no tenga pelusas antes de instalar el conducto de la secadora.



Requisitos del sistema de escape (continuación)

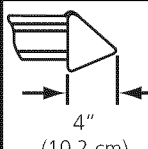
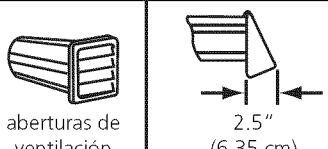
⚠ ADVERTENCIA - PELIGRO DE INCENDIO - Una secadora de ropa debe tener ventilación al exterior. No ventile la secadora a una chimenea, pared, techo, ático, pasajes entre pisos ni ningún espacio oculto de la vivienda. Las secadoras de ropa producen pelusa combustible. Si la secadora no tiene ventilación al exterior, algunas pelusas finas se expulsarán en el área de lavandería. La acumulación de pelusa en cualquier área de la vivienda puede constituir un peligro sanitario y un riesgo de incendio.

La secadora debe estar conectada a un sistema de escape que termine en el exterior de la vivienda. Inspeccione la abertura de escape al exterior con frecuencia y elimine cualquier acumulación de pelusa en la abertura y en el área que la rodea.

⚠ ADVERTENCIA - PELIGRO DE INCENDIO -

- No permita que materiales combustibles (por ejemplo: ropa, tapicería/cortinas, papel) entren en contacto con el sistema de escape. La secadora **NO DEBE** tener escape a una chimenea, una pared, un techo ni ningún espacio cerrado de un edificio que pueda acumular pelusa y constituir un peligro de incendio.
- No bloquee los extremos de escape del sistema de ventilación, ni utilice tornillos, remaches ni otros sujetadores que se extiendan hacia la parte interna del conducto para ensamblarlo. Es posible que la pelusa quede atrapada en el filtro, los tornillos o los remaches, lo que puede obstruir la red de conductos y constituir un peligro de incendio, así como también aumentar los tiempos de secado. En la salida del conducto al exterior, utilice una capucha de ventilación aprobada y selle todas las uniones con cinta para conductos. Todos los accesorios macho para tubos **DEBEN** instalarse teniendo en cuenta el flujo de aire.

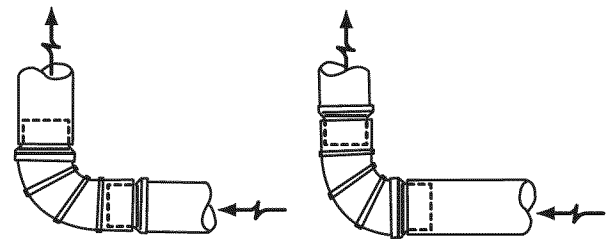
⚠ ADVERTENCIA - PELIGRO DE INCENDIO - Si se excede la longitud del tubo del conducto o el número de codos permitidos en las tablas de "LONGITUD MÁXIMA", se pueden acumular pelusas en el sistema de escape. La obstrucción del sistema podría constituir un peligro de incendio, así como aumentar los tiempos de secado.

Cantidad de codos de 90°	LONGITUD MÁXIMA Conducto de metal rígido de 10,2 cm (4 pulgadas)	
	TIPO DE CAPUCHA DE VENTILACIÓN (recomendada)	
	 4" (10,2 cm)	 2.5" (6,35 cm)
0	18.3 m (60 pies)	14.6 m (48 pies)
1	15.9 m (52 pies)	12.2 m (40 pies)
2	13.5 m (44 pies)	9.8 m (32 pies)
3	9.8 m (32 pies)	7.3 m (24 pies)
4	9.5 m (28 pies)	4.9 m (16 pies)

⚠ ADVERTENCIA - PELIGRO DE INCENDIO -

- No utilice material de ventilación flexible de plástico o aluminio.
- Si va a instalar conductos de ventilación semirrígidos, no exceda una longitud de 8 pies (2,4 m).

Instale los accesorios macho en la dirección correcta:



CORRECTO

INCORRECTO

Requisitos del sistema de ventilación (continuación)

En instalaciones en las que el sistema de ventilación no se describe en las tablas, se debe utilizar el siguiente método para determinar si dicho sistema es aceptable:

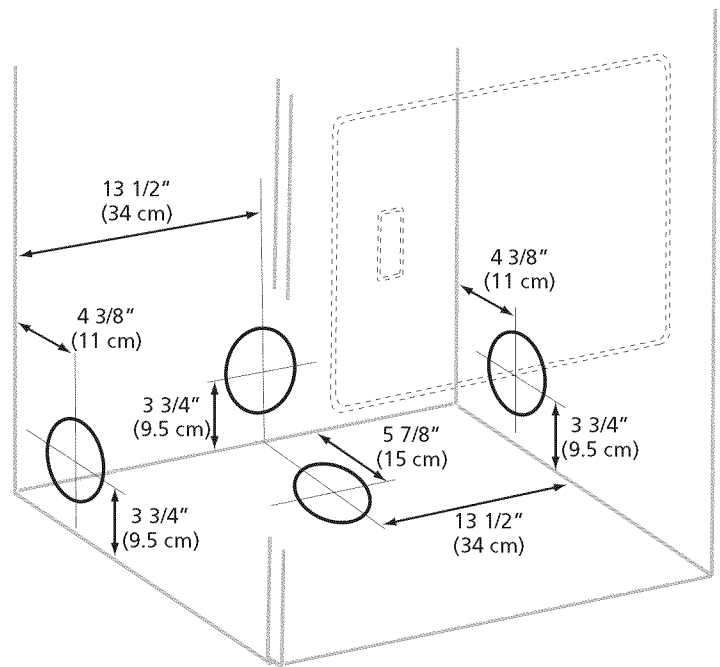
1. Conecte un manómetro inclinado o digital entre la secadora y el punto donde el tubo de ventilación se conecta con la secadora.
2. Coloque el temporizador y la temperatura de la secadora en la opción Air fluff - cool down (Esponjado con aire, enfriamiento) y ponga en marcha la secadora.
3. Lea la medición del manómetro.
4. La contrapresión del sistema NO DEBE ser mayor que 2,5 cm (1 pulgada) de columna de agua. Si la contrapresión del sistema es menor que 2,5 cm (1 pulgada) de columna de agua, el sistema es aceptable. Si la lectura del manómetro es mayor que 2,5 cm (1 pulgada) de columna de agua, el sistema es demasiado restrictivo y la instalación es inaceptable.

Si bien la orientación vertical del sistema de ventilación es aceptable, ciertas circunstancias atenuantes podrían afectar el funcionamiento de la secadora:

- Sólo se debe utilizar una red de conductos de metal rígido.
- Si la ventilación se efectúa en forma vertical a través del techo, es posible que el sistema de ventilación se vea expuesto a ráfagas descendentes que restringirán la ventilación.
- Si el sistema de escape se extiende a través de un área que no está aislada, puede producirse condensación y una acumulación más rápida de pelusa.
- La compresión o los pliegues del sistema de ventilación aumentarán la restricción de la ventilación.
- Se debe inspeccionar y limpiar el sistema de ventilación cada 18 meses como mínimo cuando se le da un uso normal. Cuanto más utilice la secadora, más a menudo deberá comprobar que el sistema de escape y la capucha de ventilación funcionan correctamente.

Dirección del Ventilación

Todas las secadoras vienen de fábrica equipadas con ventilación trasero. Sin embargo, en las secadoras eléctricas, el ventilación puede hacerse al lado derecho o izquierdo del gabinete o en la parte inferior de la secadora. En las secadoras a gas, el ventilación del aire puede estar en el lado derecho del gabinete o en la parte inferior de la secadora. El ventilación direccional puede efectuarse instalando un Kit de Ventilación Direccional, P/N 131456800, disponible a través de su distribuidor de repuestos. Siga las instrucciones que se suministran con el kit.



Instalación en una casa rodante

1. La instalación DEBE cumplir con la actual Norma de Seguridad y Construcción de Casas Rodantes, título 24 CFR, Parte 32-80 (que anteriormente se conocía como la Norma Federal de Seguridad y Construcción de Casas Rodantes [Federal Standard for Mobile Home Construction and Safety], título 24, HUD parte 280) o la Norma CAN/CSAZ240 MH.
2. La secadora DEBE tener evacuación al exterior (no a la parte de abajo de la casa rodante) mediante conductos metálicos que no admitan combustión. Los conductos metálicos deben tener un diámetro de 10,16 cm (4 pulgadas) y no deben presentar obstrucciones. Se recomiendan los conductos de metal rígido.
3. Si la secadora tiene evacuación a través del piso, y el área debajo de la casa rodante es cerrada, el sistema de evacuación DEBE terminar fuera del espacio cerrado y el extremo debe quedar sujetado firmemente a la estructura de la casa rodante.
4. Para obtener información sobre otros requisitos importantes del sistema de escape, consulte las secciones anteriores de esta guía.
5. Cuando se instale una secadora a gas en una casa rodante, se debe dejar espacio en el exterior para la salida de aire. Este espacio debe ser por lo menos el doble del área de la salida de escape de la secadora.
6. El técnico de instalación DEBE anclar esta secadora (1) o secadora sobre pedestal (2) al piso usando un kit de instalación para casas rodantes, pieza número 137067200.

Requisitos de despeje

⚠ ADVERTENCIA - **PELIGRO DE EXPLOSIÓN** - No instale la secadora en el mismo lugar en el que haya o se almacene gasolina u otros productos inflamables. Si la secadora se instala en un garaje, debe estar a una altura mínima de 45,7 cm (18 pulgadas) por encima del suelo. De lo contrario, podría producirse una explosión, un incendio, quemaduras o incluso la muerte.

IMPORTANTE NO INSTALE LA SECADORA:

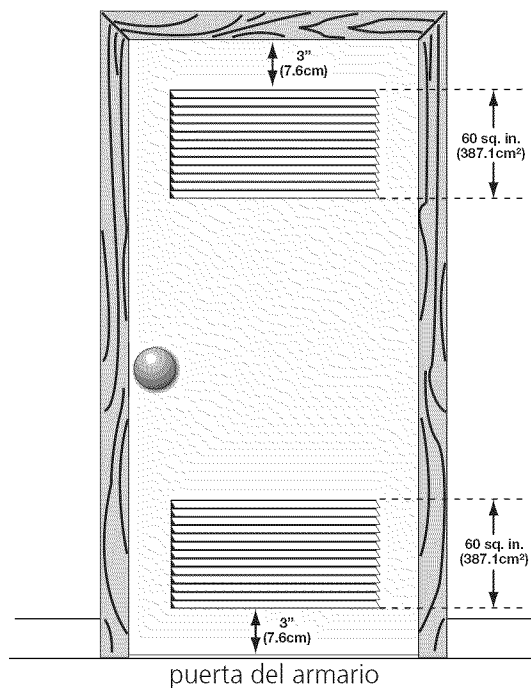
1. En una zona expuesta a la humedad o a las condiciones climáticas externas.
2. En un área en la que esté en contacto con cortinas, telas colgantes o cualquier otra cosa que pueda obstruir el flujo de aire de ventilación y combustión.
3. Sobre una alfombra. El piso DEBE ser firme con una pendiente máxima de 2,54 cm (1 pulgada).

INSTALACIÓN EN UN NICHU O ARMARIO

1. Una secadora instalada en un dormitorio, baño, nicho o armario, DEBE tener ventilación al exterior.
2. No se debe instalar ningún otro artefacto de combustión en el mismo armario que la secadora a gas.
3. La secadora necesita espacio a su alrededor para que la ventilación sea adecuada.

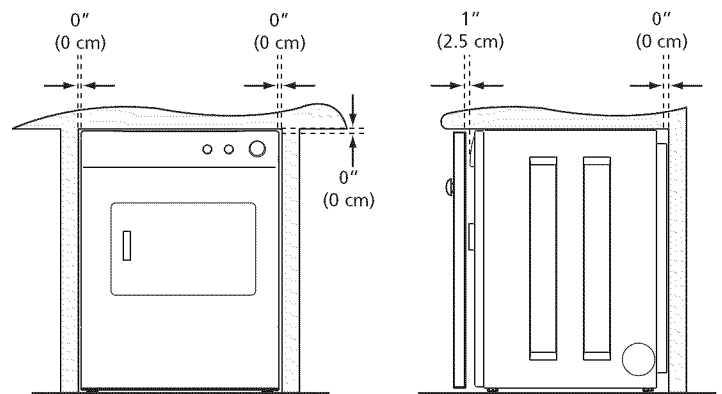
NO instale la secadora en un armario con puerta maciza.

4. Ventilación requerida en la puerta del armario: Se necesita un mínimo de 774,2 cm² (120 pulgadas²) de abertura, dividido en partes iguales en la parte superior e inferior de la puerta. Las aberturas de ventilación deben estar ubicadas a 7,6 cm (3 pulgadas) de la parte superior e inferior de la puerta. Es necesario que las aberturas de aire no estén obstruidas al instalar una puerta. Se acepta una puerta que tenga aberturas de ventilación distribuidas uniformemente en toda la superficie.

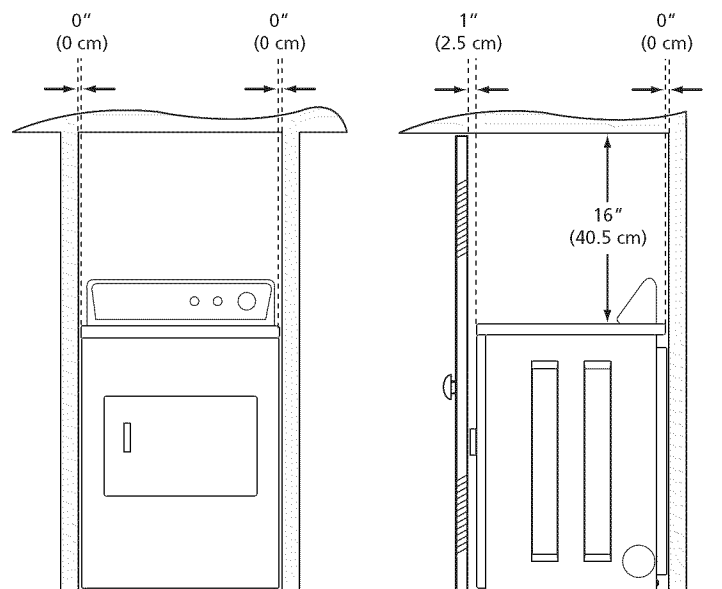


CONSOLA FRONTAL				
ESPACIOS MÍNIMOS PARA LA INSTALACIÓN: cm (pulgadas)				
	LATERALES	PARTE TRASERA	PARTE SUPERIOR	PARTE DELANTERA
Hueco	0 cm (0")	0 cm (0")	0 cm (0")	n/d
Empotrada*	0 cm (0")	0 cm (0")	0 cm (0")	2,54 cm (1")
Armario	0 cm (0")	0 cm (0")	0 cm (0")	2,54 cm (1")

*Para instalación empotrada, el panel superior debe ser removido y el kit 131629100 debe ser instalado. El kit puede ser ordenado de su distribuidor autorizado.

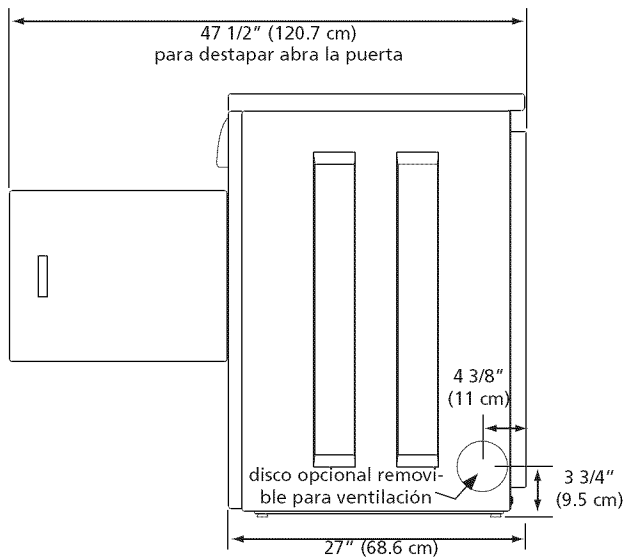
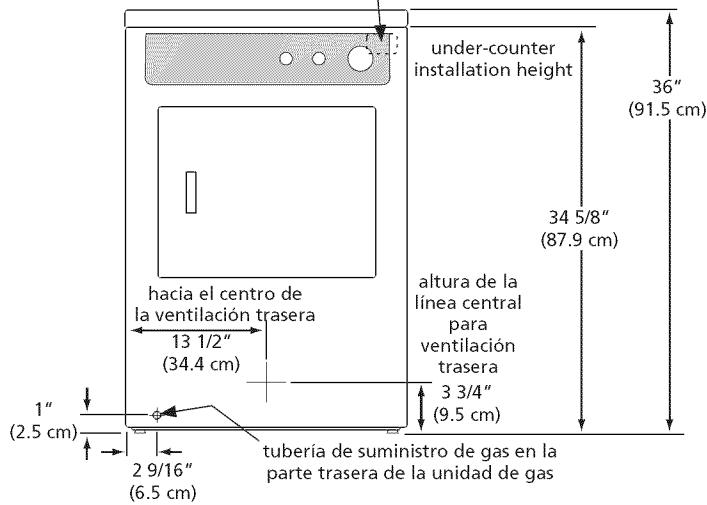


CONSOLA TRASERA				
ESPACIOS MÍNIMOS PARA LA INSTALACIÓN: cm (pulgadas)				
	LATERALES	PARTE TRASERA	PARTE SUPERIOR	PARTE DELANTERA
Hueco	0 cm (0")	0 cm (0")	40.5 cm (16")	n/d
Empotrada	n/d	n/d	n/d	n/d
Armario	0 cm (0")	0 cm (0")	40.5 cm (16")	2,54 cm (1")



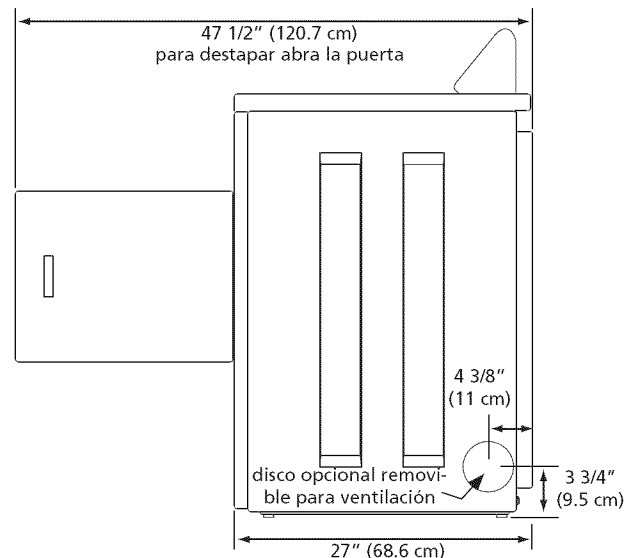
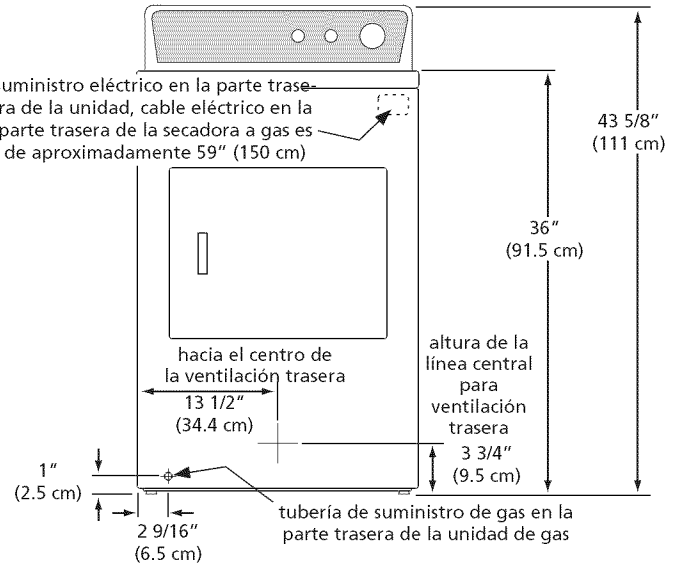
Dimensiones Consola Frontal

suministro eléctrico en la parte trasera de la unidad, cable eléctrico en la parte trasera de la secadora a gas es de aproximadamente 59" (150 cm)



Dimensiones Consola Trasera

suministro eléctrico en la parte trasera de la unidad, cable eléctrico en la parte trasera de la secadora a gas es de aproximadamente 59" (150 cm)



Instalación eléctrica

Los siguientes son requisitos necesarios para la instalación eléctrica segura y correcta de su secadora. El no seguir estas instrucciones puede producir una descarga eléctrica y/o incendio.

⚠ ADVERTENCIA - PELIGRO DE DESCARGA ELÉCTRICA -

- Este electrodoméstico DEBE estar debidamente conectado a tierra. Si la secadora no está conectada a tierra correctamente, se pueden producir descargas eléctricas. Siga las instrucciones de esta guía para ver cómo se realiza una correcta conexión a tierra.
- No utilice un cable de extensión con esta secadora. Algunos cables de extensión no están diseñados para soportar la cantidad de corriente eléctrica que utiliza esta secadora y pueden derretirse, lo que constituye un peligro de descarga eléctrica y/o incendio. Ubique la secadora en un lugar donde el cable de alimentación que compre esté al alcance del receptáculo, permitiendo que el cable quede holgado. Consulte los requisitos de preinstalación de esta guía para ver cuál es el cable de alimentación correcto que se debe comprar.

⚠ ADVERTENCIA - PELIGRO DE DESCARGA ELÉCTRICA -

- Debe instalarse, en el cable de alimentación, un dispositivo de liberación de tensión aprobado por U.L. Si no se coloca un dispositivo de liberación de tensión, el cable podría desenchufarse de la secadora y cortarse por cualquier movimiento, y provocar así una descarga eléctrica.
- No utilice un receptáculo con cableado de aluminio para un enchufe y cable de alimentación con cables de cobre (o viceversa). La reacción química que tiene lugar entre el cobre y el aluminio puede causar cortocircuitos eléctricos. El receptáculo y el cableado correcto consiste en un cable de alimentación con alambres de cobre con un receptáculo de cables de cobre.

NOTA Las secadoras que funcionan con 208 voltios de corriente eléctrica tendrán tiempos de secado más prolongados que las que funcionan con 240 voltios de corriente eléctrica.

Requisitos de conexión a tierra: secadora eléctrica (Estados Unidos)

⚠ ADVERTENCIA - PELIGRO DE DESCARGA ELÉCTRICA -

Una conexión incorrecta del conductor de conexión a tierra del equipo puede provocar un peligro de descarga eléctrica. Si no está seguro de haber realizado correctamente la conexión a tierra del artefacto, consulte a un electricista autorizado.

Para una secadora conectada a tierra:

1. La secadora DEBE tener conexión a tierra. En el caso de que la secadora no funcione correctamente o se descomponga, la conexión a tierra reduce el riesgo de descarga eléctrica porque ofrece una trayectoria de menor resistencia para la corriente eléctrica.
2. Después de comprar e instalar un cable de alimentación trifilar o tetrafilar con un conductor de conexión a tierra, el enchufe DEBE estar conectado a un receptáculo

adecuado con cable de cobre correctamente instalado y con conexión a tierra, de acuerdo con todos los códigos y las ordenanzas locales. Ante cualquier duda, comuníquese con un electricista autorizado.

NO realice modificaciones al enchufe que haya instalado en este artefacto.

Para una secadora conectada de forma permanente:

1. La secadora DEBE estar conectada a un sistema de cableado permanente de metal conectado a tierra, o bien se debe colocar un conductor de conexión a tierra con los conductores del circuito y debe estar conectado al terminal de conexión a tierra del equipo o al cable a tierra del artefacto.

Requisitos de conexión a tierra: secadora eléctrica (Canadá)

⚠ ADVERTENCIA - PELIGRO DE DESCARGA ELÉCTRICA -

Una conexión incorrecta del conductor de conexión a tierra del equipo puede provocar un peligro de descarga eléctrica. Si no está seguro de haber realizado correctamente la conexión a tierra del artefacto, consulte a un electricista autorizado.

Para una secadora conectada a tierra:

1. La secadora DEBE tener conexión a tierra. En el caso de que la secadora no funcione correctamente o se descomponga, la conexión a tierra reduce el riesgo de descarga eléctrica porque ofrece una trayectoria de menor resistencia para la corriente eléctrica.

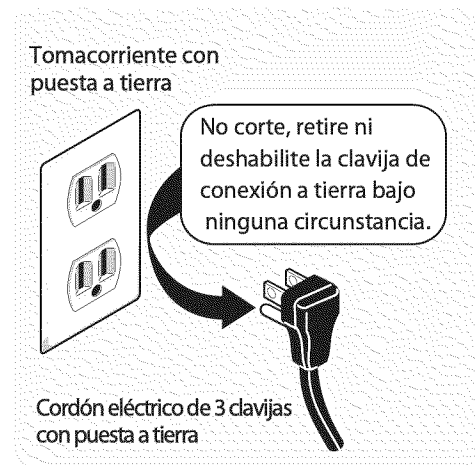
2. Debido a que la secadora está equipada con un cable de alimentación eléctrica que cuenta con un conductor de conexión a tierra, el enchufe debe estar conectado a un tomacorriente correctamente instalado y con conexión a tierra, de acuerdo con todos los códigos y las ordenanzas locales. Ante cualquier duda, comuníquese con un electricista autorizado.

NO realice modificaciones al enchufe que se proporciona con este artefacto.

Requisitos de conexión a tierra: secadora a gas (Estados Unidos y Canadá)

1. La secadora está equipada con un enchufe de tres patas (conexión a tierra) para evitar el peligro de electrocución y debe estar conectada directamente a un receptáculo de enchufe de tres patas que cuente con una conexión a tierra adecuada.
2. El enchufe debe estar conectado a un tomacorriente correctamente instalado y con conexión a tierra, de acuerdo con todos los códigos y las ordenanzas locales. Ante cualquier duda, comuníquese con un electricista autorizado.

NO corte ni retire la espiga de conexión a tierra del enchufe.

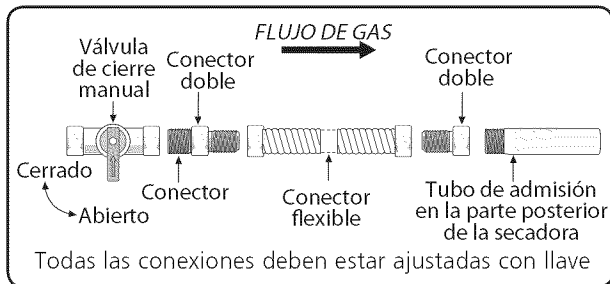


Conexión de gas

1. Quite el tapón del tubo de gas en la parte trasera de la secadora.

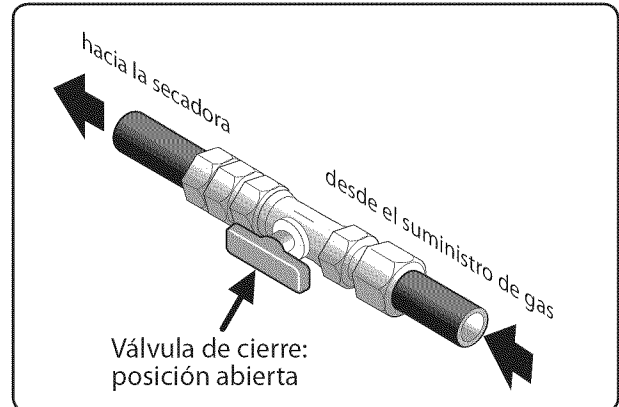
IMPORTANTE NO conecte la secadora al servicio de gas LP sin convertir la válvula de gas. El kit de conversión a gas LP debe ser instalado por un técnico calificado.

2. Conecte un tubo aprobado o uno semi-rígido de 1,27 cm (1/2 pulgada) de diámetro interior desde la línea de suministro de gas al tubo de 0,96 cm (3/8 pulgada) ubicado en la parte trasera de la secadora. Utilice un reductor de 1,27 cm a 0,96 cm (1/2 pulgada a 3/8 pulgada) para realizar la conexión. Aplique un sellador para roscas que sea resistente a la acción corrosiva de los gases licuados en todas las conexiones de los tubos.



IMPORTANTE La línea de suministro de gas debe estar equipada con una válvula de cierre manual aprobada. Esta válvula debe estar ubicada en la misma habitación que la secadora, en una ubicación que permita la facilidad de apertura y cierre. No bloquee el acceso a la válvula de cierre de gas.

3. Abra la válvula de cierre de la línea de suministro de gas para que el gas fluya a través de la tubería. Espere unos minutos a que el gas fluya a través de la línea de suministro de gas.



4. Utilice un manómetro para verificar que no haya fugas en el suministro de gas. Si no cuenta con un manómetro, pruebe todas las conexiones aplicando agua jabonosa en estas.

ADVERTENCIA - PELIGRO DE EXPLOSIÓN - NUNCA compruebe si hay fugas de gas con una llama abierta.

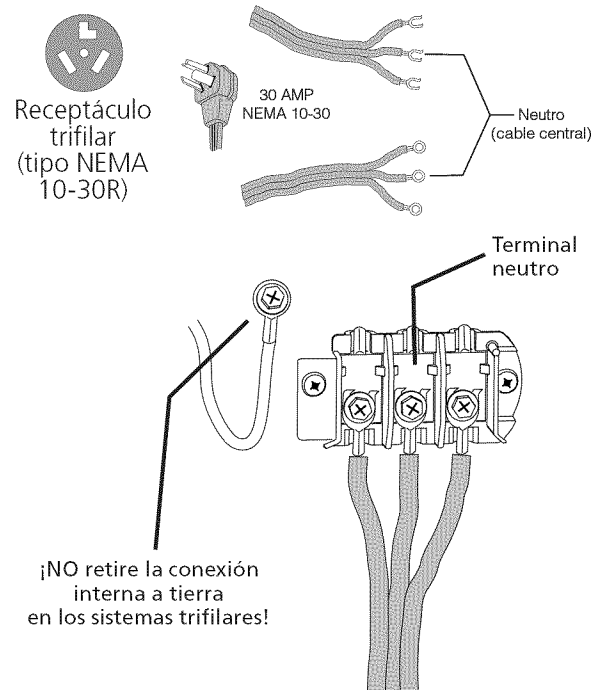
Conexión eléctrica (fuera de Canadá): trifilar

ADVERTENCIA - PELIGRO DE DESCARGA ELÉCTRICA - El no desconectar el suministro eléctrico antes de realizar cualquier reparación puede ocasionar lesiones personales o incluso la muerte.

1. Desconecte el suministro eléctrico del tomacorriente.
2. Extraiga el tornillo que sujeta la cubierta de acceso del bloque terminal que se encuentra en la esquina superior de la parte trasera de la secadora.
3. Instale un dispositivo de liberación de tensión aprobado por U.L., de acuerdo con las instrucciones relativas al cable de alimentación/ dispositivo de liberación de tensión del fabricante, en el orificio de entrada del cable de alimentación debajo del panel de acceso. En este momento, el dispositivo de liberación de tensión debe estar holgado en su lugar.
4. Pase un cable de alimentación aprobado por U.L. DESENCHUFADO, de 30 amp. tipo NEMA 10-30, SRDT a través del dispositivo de liberación de tensión.
5. Conecte el conductor neutro (cable del centro) del cable de alimentación al terminal PLATEADO del centro del bloque terminal. Ajuste el tornillo con firmeza.
6. Conecte los dos conductores externos restantes del cable de alimentación a los terminales externos de color LATÓN del bloque terminal. Ajuste los dos tornillos con firmeza.

ADVERTENCIA - PELIGRO DE DESCARGA ELÉCTRICA - No forme un ángulo agudo con el cableado/conductor, ni los doble en el punto de conexión.

7. Siga las pautas del fabricante para sujetar firmemente el dispositivo de liberación de tensión y el cable de alimentación.
8. Vuelva a instalar la cubierta del bloque terminal.



IMPORTANTE Para mover la secadora desde un sistema tetrafilar e instalarla en un sistema trifilar, mueva la conexión a tierra interna del terminal central nuevamente hacia el tornillo VERDE que se encuentra junto al bloque terminal.

Conexión eléctrica (fuera de Canadá): tetrafilar

⚠ ADVERTENCIA - PELIGRO DE DESCARGA ELÉCTRICA -

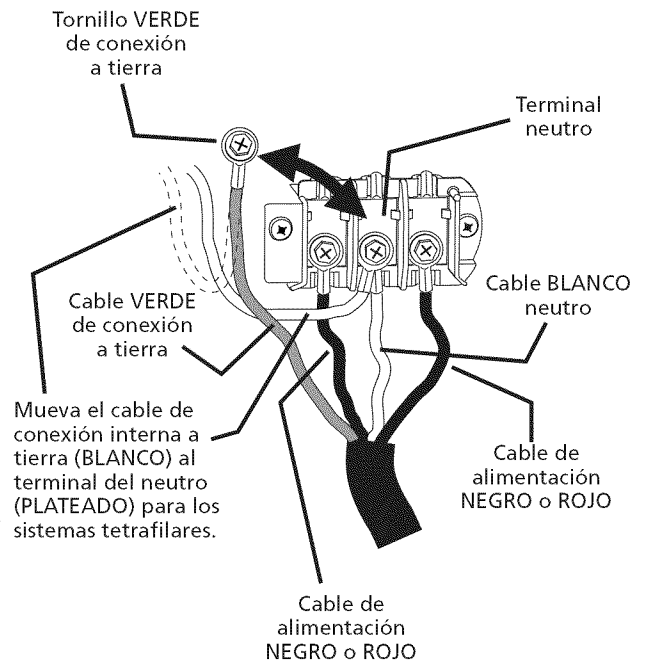
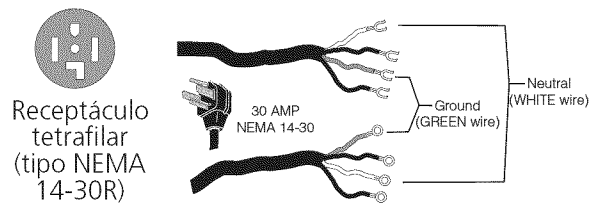
El no desconectar el suministro eléctrico antes de realizar cualquier reparación puede ocasionar lesiones personales o incluso la muerte.

1. Desconecte el suministro eléctrico del tomacorriente.
2. Extraiga el tornillo que sujeta la cubierta de acceso del bloque terminal que se encuentra en la esquina superior de la parte trasera de la secadora.
3. Instale un dispositivo de liberación de tensión aprobado por U.L., de acuerdo con las instrucciones relativas al cable de alimentación/dispositivo de liberación de tensión del fabricante, en el orificio de entrada del cable de alimentación debajo del panel de acceso. En este momento, el dispositivo de liberación de tensión debe estar holgadamente en su lugar.
4. Pase un cable de alimentación aprobado por U.L. DESENCHUFADO, de 30 amp. tipo NEMA 14-30, SRDT o ST a través del dispositivo de liberación de tensión.
5. Desconecte el cable interno (BLANCO) de conexión a tierra que integra el enchufe preformado de la secadora del tornillo de conexión a tierra (VERDE) que está junto al bloque terminal.
6. Conecte el cable de conexión a tierra (VERDE) del cable de alimentación al gabinete utilizando el tornillo (VERDE) de conexión a tierra. Ajuste el tornillo con firmeza.
7. Mueva el cable interno (BLANCO) de conexión a tierra que integra el enchufe preformado de la secadora al bloque terminal y conéctelo junto con el conductor neutro (BLANCO) del cable de alimentación al terminal PLATEADO del centro del bloque terminal. Ajuste el tornillo con firmeza.
8. Conecte los conductores ROJO y NEGRO del cable de alimentación a los terminales externos de color LATÓN del bloque terminal. Ajuste los dos tornillos con firmeza.

⚠ ADVERTENCIA - PELIGRO DE DESCARGA ELÉCTRICA -

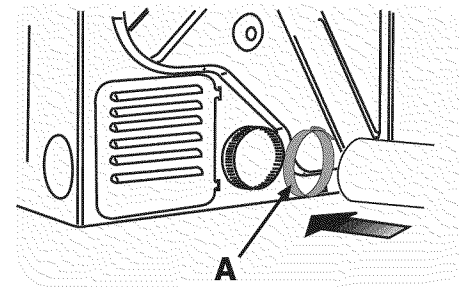
No forme un ángulo agudo con el cableado/conductor, ni los doble en el punto de conexión.

9. Siga las pautas del fabricante para sujetar firmemente el dispositivo de liberación de tensión y el cable de alimentación.
10. Vuelva a instalar la cubierta del bloque terminal.



Instalación general

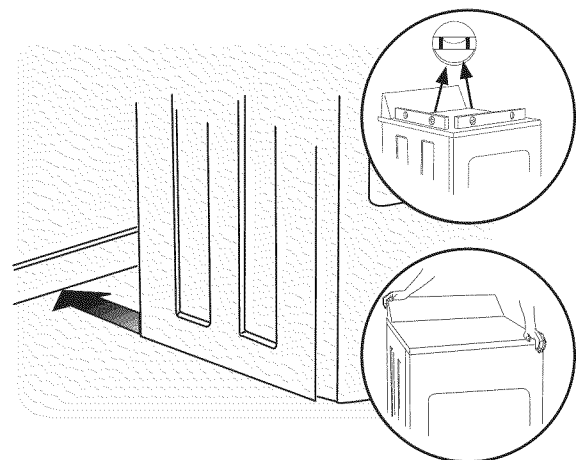
1. Conecte el tubo de escape al sistema de escape exterior (consulte las páginas 34 a 36). Se recomienda usar una abrazadera (pieza A) de 4" (10,2 cm) para conectar las secadora al sistema de ventilación de escape. Utilice cinta de papel de aluminio para sellar las demás uniones.
2. Deslice la secadora a su posición final cuidadosamente. Ajuste una o varias de las patas de la secadora hasta que se encuentre firme sobre las cuatro patas. Coloque un nivel en la parte superior de la secadora. La secadora DEBE estar nivelada y firme sobre las cuatro patas. Presione las distintas esquinas para asegurarse de que la secadora está estabilizada. Retire y deseche la cinta de la puerta.



IMPORTANTE Revise la caja del interruptor automático/fusibles para asegurarse de que la electricidad esté desconectada antes de conectar el cable de alimentación al tomacorriente.

3. Conecte el cable de alimentación a un tomacorriente con conexión a tierra.
4. Conecte la electricidad desde la caja del interruptor automático/fusibles.
5. Consulte la Guía de uso y cuidado que se proporciona con la secadora. Dicha guía contiene información útil y valiosa que le ahorrará tiempo y dinero.
6. Si tiene alguna pregunta durante el funcionamiento inicial, repase la "Lista de control para evitar el servicio técnico" de su Guía de uso y cuidado antes de llamar al servicio técnico.
7. Guarde estas instrucciones cerca de la secadora para referencia futura.

NOTA Dentro de la consola de la secadora, encontrará una hoja de información técnica y un diagrama de cableado.



Puerta Reversible

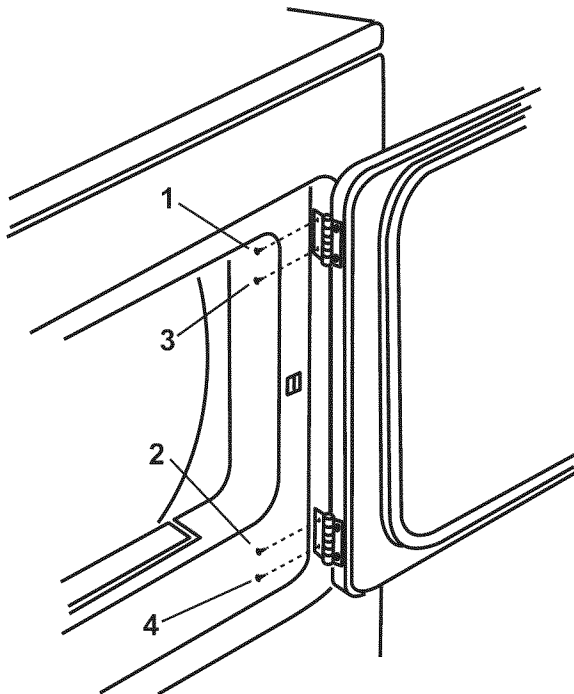
Su secadora ha sido diseñada para que la puerta pueda ser cambiada de lado en cualquier momento sin necesidad de piezas adicionales. La conversión se hace transfiriendo las bisagras al lado opuesto del gabinete.

Cómo cambiar la dirección de apertura de la puerta:

1. Abra la puerta de la secadora. Quite los cuatro receptores del agujero de la bisagra del lado izquierdo de la apertura de la puerta. Colóquelos en un lugar cercano para futura instalación.

NOTA Puede que se necesite un cuchillo de plástico para poder sacar los receptores. Tenga cuidado de no rayar la pintura.

2. Quite los cuatro tornillos que aseguran las bisagras de la puerta al panel frontal de la secadora (ver figura abajo).



3. Gire la puerta 180° y vuelva a colocar las bisagras de la puerta en el panel frontal con los cuatro tornillos.
4. Instale los cuatro receptores de los agujeros de las bisagras en los agujeros abiertos en el lado derecho de la apertura de la puerta.

Piezas de repuesto:

Si necesita obtener piezas de recambio para su secadora, póngase en contacto con el distribuidor donde compró su secadora.

⚠ ADVERTENCIA - PELIGRO DE DESCARGA ELÉCTRICA - Cuando se reparen los controles, rotule todos los cables antes de desconectarlos. Los errores de cableado pueden producir un funcionamiento incorrecto y peligroso. Verifique que el funcionamiento es correcto después de realizar las reparaciones.

Accesorios

⚠ PRECAUCIÓN El no utilizar accesorios fabricados (o aprobados) por el fabricante puede ocasionar lesiones personales, daños a la propiedad o daños a la secadora.

KIT DE CONVERSIÓN A GAS LP

Pieza No.. PCK2003

Las secadoras a gas diseñadas para el uso en lugares con suministro de LP requieren utilizar un kit de conversión antes de la instalación.

KIT DE INSTALACIÓN EN UNA CASA RODANTE

Pieza No.. 137067200

La instalación en una casa rodante requiere utilizar el KIT DE INSTALACIÓN EN UNA CASA RODANTE.

REJILLA DE SECADO

Dependiendo del modelo que haya comprado, es posible que esta secadora incluya una rejilla de secado. Si el modelo que adquirió no incluye una rejilla de secado o desea una rejilla adicional, póngase en contacto con el distribuidor donde compró su secadora.

KIT DE VENTILACIÓN DIRECCIONAL

Pieza No.. 131456800

Ordene este kit para utilizar la opción de ventilación lateral. La tornillería adicional la puede encontrar en su ferretería local.

MARCADORES DE PINTURA DE RETOQUE

Marcador de retoque de pintura blanca - Pieza N° 5303321319

Botella de retoque color bisque - Pieza No.. 5304414035

Marcador de retoque de pintura negra - Pieza No.. 5304458932

KIT DE INSTALACIÓN EMPOTRADA (modelos de consola frontal solamente)

Para instalación empotrada, el panel superior debe ser removido y el kit 131629100 debe ser instalado.

KIT DE SECADORA PARA CENTRO DE LAVADO (modelos de consola frontal solamente)

Pieza No.. 5303937141

Dependiendo del modelo que haya comprado, es posible que esta secadora incluya un kit para instalarla sobre la lavadora correspondiente. Si el modelo que adquirió no incluye un kit de instalación sobre la lavadora o desea un kit diferente, puede pedir uno.

PEDESTAL DE 15" (38 cm) (modelos de consola frontal solamente)

Un accesorio de pedestal, especialmente diseñado para esta secadora, se puede utilizar para elevar la unidad y facilitar su uso. Dicho pedestal agregará aproximadamente 38 cm (15 pulgadas) a la altura de su unidad para una altura total de 130 cm (51.25 pulgadas). Póngase en contacto con el distribuidor donde compró su secadora.
