

Part Installation Instructions

Docking Cone Repair Kit

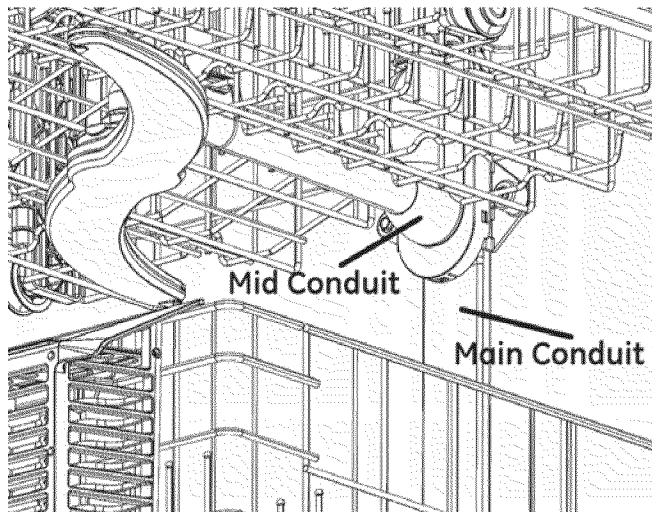
WD35X20516

September 2013

SEE DD03-13

Poor Wash Performance, Poor Detergent Wash Out

This kit improves poor wash and detergent wash out concerns due to a bowed rear panel on the tub, causing a poor seal between the mid conduit and main conduit docking cone.



There are 4 spacers and 2 screws in this kit, 1 or 2 spacers on each side of the docking cone. The spacers are placed between the tub screw bosses and the docking cone

Models

- GDF510P_D_
- GDF520P_D_
- GDT530P_D_
- GDF540H_D_
- GDT550H_D_

Tools You Will Need:

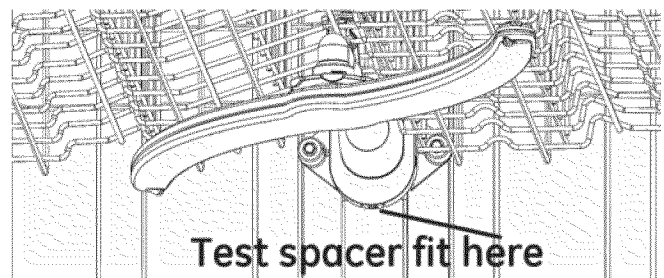
- 1/4" Nut Driver

Parts Included:

- 4 — Spacers
- 2 — 1/4" Hex Head Screws
- 31-31533 / WD00X1033 Installation Instructions

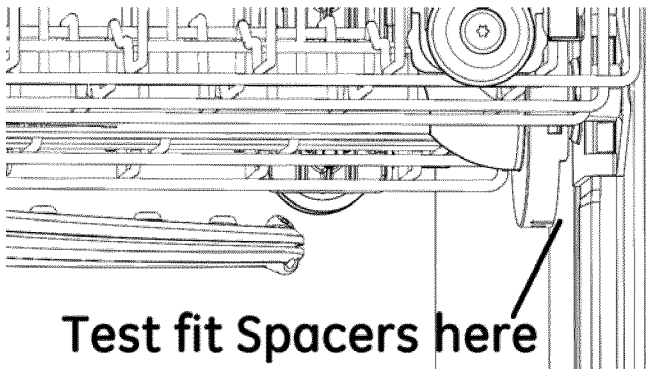
Step 1 – Determine how many spacers are needed to shim the main conduit toward the docking port on the upper rack.

Push the rack all the way in, place 1 spacer between the mid conduit and main conduit, as seen below, if 1 spacer is tight, use 2 spacers, one on each side as described in step 4, proceed to step 2.



If loose place 2 spacers between the mid conduit and main conduit. If the gap between the conduit and the docking port is large enough to fit 2 spacers stacked on top of each other, proceed to step 2 and use all 4 spacers in step 4.





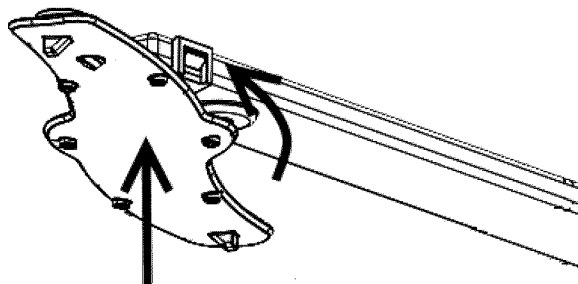
Test fit Spacers here

Step 2 – Remove the Upper Rack

The upper rack must be removed to allow access to the main conduit

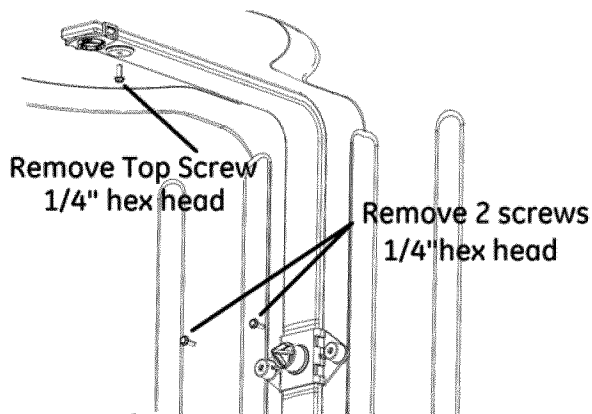
Step 3 – Loosen the Main Conduit

- Remove the top spray arm by pushing it up and turning counter clockwise.



Push up, turn CCW

- Remove the top screw behind the top spray arm and remove 2 screws securing docking cone to rear tub wall and discard. Carefully pull the top away from the tub (it is not necessary to remove the main conduit).



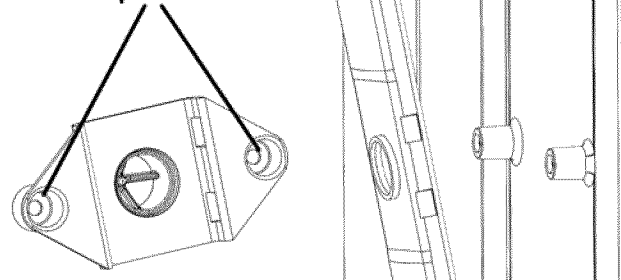
**Remove Top Screw
1/4" hex head**

**Remove 2 screws
1/4" hex head**

Step 4 – Install Spacers

Place the required number of spacers as determined in step 1 into the docking cone locating holes.

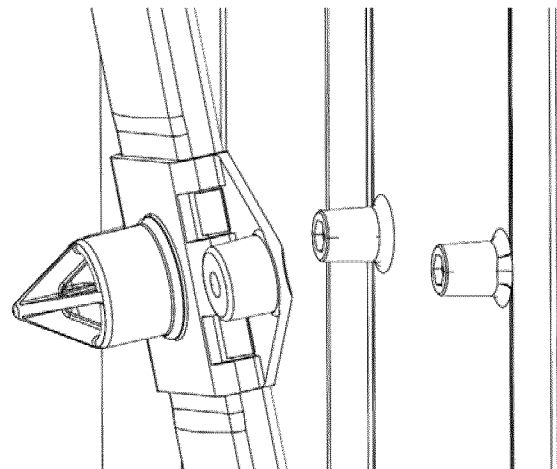
Place spacers here



Note: The docking cone is shown removed from the mid conduit, it does not need to be removed. If it is removed, it must be securely fastened to the main conduit.

Step 5 – Reinstall Main Conduit

Push the conduit back into place, ensuring the spacers stay behind the docking port mounting holes. Use the 2 included service kit screws to secure the docking cone to the tub at the docking port. Use the original screw to secure the conduit to the top of the tub near the upper spray arm.



Step 6 – Reinstall Upper Rack and Test Operation

Reinstall the upper rack and recheck the dishwasher to make sure the door closes and doesn't interfere with the rack. Put the unit into service mode and check that the middle and upper spray arm rotate during circulate (Clear Door Tool Part Number WX05X20002 is helpful to determine proper seal).