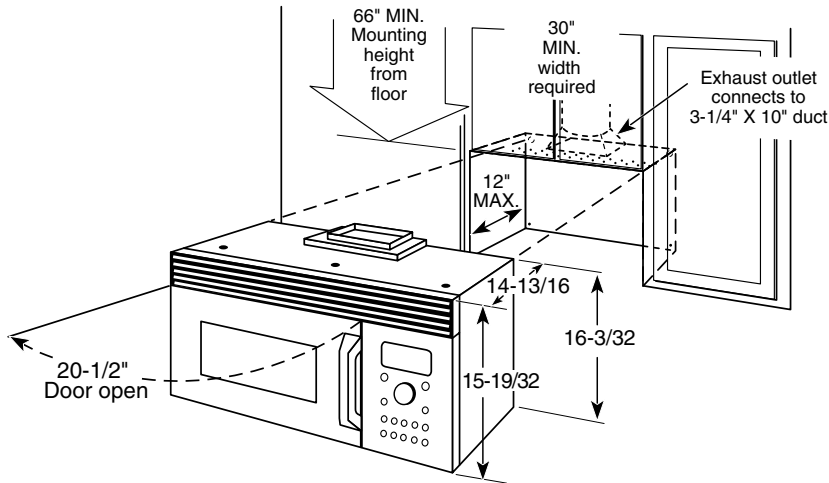




Profile Performance Series™

SCA2000BAA - Above-the-Cooktop Advantium™ Oven

Dimensional Information (in inches)



Electrical Requirements:

Product rating is 240/208 volts AC, 60 Hertz, 30 amps and 6.5 kilowatts. This product must be connected to an individual properly grounded branch circuit, protected by circuit breakers or time delay fuses. Wire size must conform to the requirements of the National Electric Code or the prevailing local code for kilowatt rating. The outlet box should be located in the cabinet above the oven. The supply circuit and outlet box should be installed by a qualified electrician and conform to all prevailing electrical codes. The wall outlet receptacle recommended for this appliance is **NEMA#14-30R** and accepts the four prong grounded plug of this appliance.

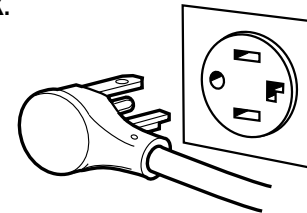
Installation Requirements:

1. A minimum of 30" between the cabinets is required for the installation. If the space between the cabinets is than 30", a Filler Panel Kit may be used to fill the gap between the oven and the cabinets. Your Owner's Manual contains the kit number for your model.
2. Make sure the bottom edge of the cabinet that will be above the oven will be at least 66" from the floor and 30" from the cooking surface.
3. For easier access to change the hood and range lamps, the bottom of the oven should be at least 2" above the range backsplash.
4. If you are going to vent your oven to the outside, see exhaust duct preparation instructions.
5. **When installing the oven beneath smooth, flat cabinets, be careful to follow the instructions on the top cabinet template for power cord clearance.**
6. For best installation results, we recommend a maximum cabinet depth of 12".

Installation Information: This information is not intended to be used for installing unit described. Before installing, consult installation instructions packed with product/kit for current dimensional data.

WARNING - PLEASE READ CAREFULLY.
FOR PERSONAL SAFETY, THIS APPLIANCE MUST BE PROPERLY GROUNDED TO AVOID SEVERE OR FATAL SHOCK.

Insure proper ground exists before use.



NEMA 14-30R
 Wall Receptacle

DO NOT UNDER ANY CIRCUMSTANCES, CUT, DEFORM, OR REMOVE ANY OF THE PRONGS FROM THE POWER CORD. DO NOT USE WITH AN EXTENSION CORD.

For answers to your Monogram®, GE Profile Performance Series™, GE Profile™ or GE appliance questions, call GE Answer Center® service, 800.626.2000.



Profile Performance Series™

SCA2000BAA - Above-the-Cooktop Advantium™ Oven

Hood Exhaust Duct

Outside ventilation requires a HOOD EXHAUST DUCT. Read the following carefully.

EXHAUST CONNECTION:

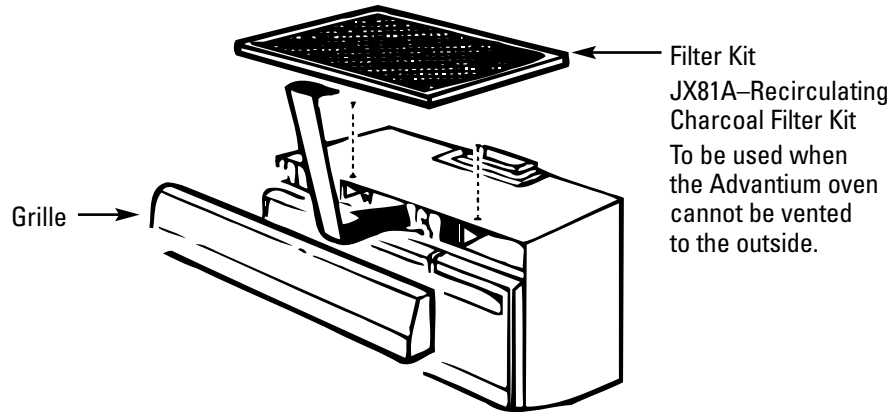
The hood exhaust has been designed to mate with a standard 3-1/4" x 10" rectangular duct.

If a round duct is required, a rectangular-to-round transition adaptor must be used. Do not use less than a 6" diameter duct.

REAR EXHAUST:

If a rear or horizontal exhaust is to be used, care should be taken to align exhaust with the space between studs, or wall should be prepared at the time it is constructed by leaving enough space between the wall studs to accommodate exhaust.

Filter Kit Accessory



MAXIMUM DUCT LENGTH:

For satisfactory air movement, the total duct length of 3-1/4" x 10" rectangular or 6" diameter round duct should not exceed 140 equivalent feet.

ELBOWS, TRANSITIONS, WALL AND ROOF CAPS, etc., present additional resistance to airflow and are equivalent to a section of straight duct which is longer than their actual physical size. When calculating the total duct length, add the equivalent length of all transitions and adaptors plus the length of all straight duct sections. The chart below shows the approximate feet of equivalent length of some typical ducts.

Duct	Equivalent
A. Rectangular-To-Round Transition Adaptor	5 Ft.
B. Wall Cap	40 Ft.
C. 90° Elbow	10 Ft.
D. 45° Elbow	5 Ft.
E. 90° Elbow	25 Ft.
F. 45° Elbow	5 Ft.
G. Roof Cap	24 Ft.

For answers to your Monogram®, GE Profile Performance Series™, GE Profile™ or GE appliance questions, call GE Answer Center® service, 800.626.2000.

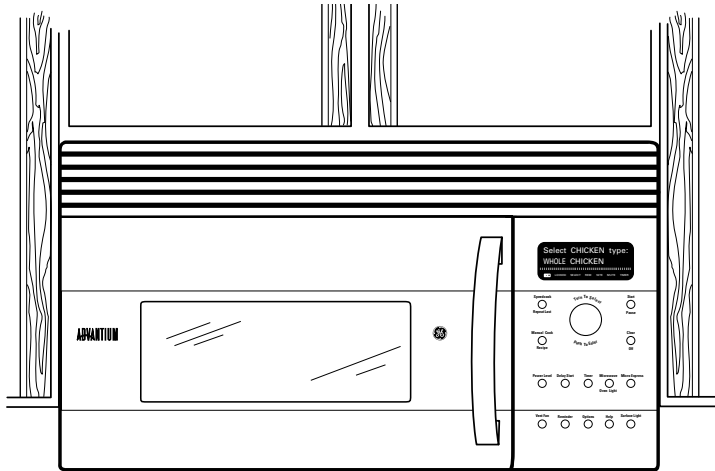


Listed by
Underwriters
Laboratories



Profile Performance Series™

SCA2000BAA - Above-the-Cooktop Advantium™ Oven



Features and Benefits

- Revolutionary Speedcook Technology Cooks Oven-Quality Food Up To Eight Times Faster Than a Convection Oven
- Over 100 Pre-Programmed Menu Items, Repeat Last, Help and Demo Modes
- Bakes, Browns, Broils, Grills and Roasts-All with No Preheating
- Converts to a Fully Functional 950 Watt Sensor Microwave Oven
- Family-Size Oven with Stainless Steel Interior
- Microwave Oven Features Humidity Sensor and Auto Defrost/Time Defrost
- Cooking Complete Reminder
- Interior Oven Light
- Child-Lock-Out
- Two-Speed, High Capacity Exhaust Fan
- Full View Cooktop Lighting with Night Light
- Frameless Glass Oven Door with Window
- Cookbook and Pan Set Included
- Model SCA2000BWW - White on white
- Model SCA2000BBB - Black on black
- Model SCA2000BAA - Almond on almond
- Model SCA2000BCC - Bisque
- Model SCA2001BSS - Stainless Steel