

AIR CONDITIONER

Use & Care Guide

For questions about features, operation/performance, parts, accessories or service, call: **1-800-253-1301** in the U.S.A.

ACONDICIONADOR DE AIRE

Manual de Uso y Cuidado

Si tiene preguntas respecto a las características, funcionamiento, rendimiento, partes, accesorios o servicio técnico, llame al: **1-800-253-1301** en los EE. UU.

Table of Contents/Índice	2
--------------------------------	---

TABLE OF CONTENTS

AIR CONDITIONER SAFETY	2	Starting Your Air Conditioner—Rotary Controls.....	14
INSTALLATION REQUIREMENTS	3	Changing Air Direction	16
Tools and Parts	3	Normal Sounds.....	16
Location Requirements.....	3	AIR CONDITIONER CARE	16
Electrical Requirements	4	Cleaning the Air Filter	16
INSTALLATION INSTRUCTIONS	5	Cleaning the Front Panel.....	16
Unpacking	5	Repairing Paint Damage	16
Installing the Cabinet in a Window	6	Annual Maintenance.....	16
Installing the Cabinet Through a Wall.....	9	TROUBLESHOOTING	17
Complete Installation	10	ASSISTANCE OR SERVICE	18
AIR CONDITIONER USE	11	Accessories	18
Starting Your Air Conditioner—Digital Control	11		

ÍNDICE

SEGURIDAD DEL ACONDICIONADOR DE AIRE	19	Cómo poner en marcha su acondicionador de aire —	
REQUISITOS DE INSTALACIÓN	19	Controles rotativos.....	32
Herramientas y piezas.....	19	Cómo cambiar la dirección del aire	33
Requisitos de ubicación.....	20	Sonidos normales.....	33
Requisitos eléctricos	21	CUIDADO DE SU ACONDICIONADOR DE AIRE	34
INSTRUCCIONES DE INSTALACIÓN	22	Limpieza del filtro de aire	34
Desempaquetado	22	Limpieza del panel delantero	34
Instalación del gabinete en una ventana	23	Reparación de la pintura dañada.....	34
Instalación del gabinete a través de la pared.....	25	Mantenimiento anual	34
Para completar la instalación.....	27	SOLUCIÓN DE PROBLEMAS	34
USO DE SU ACONDICIONADOR DE AIRE	28	AYUDA O SERVICIO TÉCNICO	36
Cómo poner en marcha su acondicionador de aire —		Accesorios	36
Control digital	29		

AIR CONDITIONER SAFETY

Your safety and the safety of others are very important.

We have provided many important safety messages in this manual and on your appliance. Always read and obey all safety messages.



This is the safety alert symbol.

This symbol alerts you to potential hazards that can kill or hurt you and others.

All safety messages will follow the safety alert symbol and either the word “DANGER” or “WARNING.” These words mean:

! DANGER

You can be killed or seriously injured if you don't immediately follow instructions.

! WARNING

You can be killed or seriously injured if you don't follow instructions.

All safety messages will tell you what the potential hazard is, tell you how to reduce the chance of injury, and tell you what can happen if the instructions are not followed.

IMPORTANT SAFETY INSTRUCTIONS

WARNING: To reduce the risk of fire, electrical shock or injury when using your air conditioner, follow these basic precautions:

- Plug into a grounded 3 prong outlet.
- Do not use an extension cord.
- Do not remove ground prong.
- Unplug air conditioner before servicing.
- Do not use an adapter.
- Use two or more people to move and install air conditioner.

SAVE THESE INSTRUCTIONS

INSTALLATION REQUIREMENTS

Tools and Parts

Gather the required tools and parts before starting installation. Read and follow the instructions provided with any tools listed here.

Tools Needed

- Flat-blade and Phillips screwdrivers
- Scissors
- Level
- Tape measure
- Socket wrench and 7/16" and 1/4" sockets
- Drill and 3/32" or smaller bit
- 1/4" nut driver
- Pencil
- Utility knife

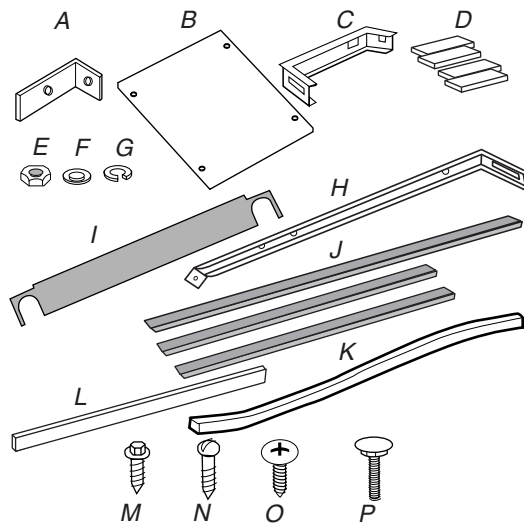
Through-the-wall installation:

In addition to the tools listed above, the following tools are needed for through-the-wall installation.

- Saw
- 1" (2.5 cm) or thicker lumber
- Wood preservative
- 7 - #10 x 1" wood screws
- Caulk

Parts supplied (on some models)

Check that all parts are included in parts package.



- | | | |
|--|--|--|
| <p>A. Window-lock bracket</p> <p>B. Filler board</p> <p>C. Vertical supports (2)</p> <p>D. Foam blocks (4)</p> <p>E. Nuts (6)</p> <p>F. Flat washers (6)</p> | <p>G. Lock washers (6)</p> <p>H. Angle supports (2)</p> <p>I. 2 1/2" (6.4 cm) seal strip</p> <p>J. Foam seals for air conditioner (3)</p> <p>K. Foam window sash seal</p> <p>L. Window rail seal</p> | <p>M. #8 x 1/2" hex-head metal screws (4)</p> <p>N. #10 x 3/4" round-head wood screws (3)</p> <p>O. #8 - 18 x 3/8" round-head screws (2)</p> <p>P. 3/4" round-head bolts (6)</p> |
|--|--|--|

NOTE: Installation parts are supplied for double-hung windows up to 40" (101.6 cm) wide. A special Wide Window Kit is available from your dealer or service center. See "Accessories."

Location Requirements

IMPORTANT: Observe all governing codes and ordinances.

Check the location where air conditioner will be installed. Proper installation is your responsibility. Make sure you have everything necessary for correct installation.

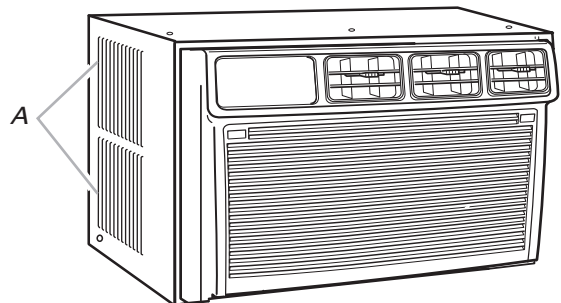
The location should provide:

- Grounded electrical outlet within 4 ft (122 cm) of where the power cord exits the air conditioner.

NOTE: Do not use an extension cord.

- Free movement of air in room to be cooled.
- A large enough opening for the air conditioner.
- Adequate wall support for weight of air conditioner. Air conditioner weighs between 145 and 200 lbs (65 to 96 kg).

NOTES: Cabinet louvers must not be obstructed. Air must be able to pass freely through the cabinet louvers.

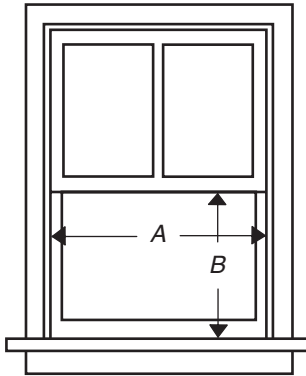


A. Cabinet louvers

Window installation

Window opening measurements:

- 26½" (66.1 cm) minimum to 40" (101.6 cm) maximum opening width.
- 20" (50.8 cm) minimum opening height.

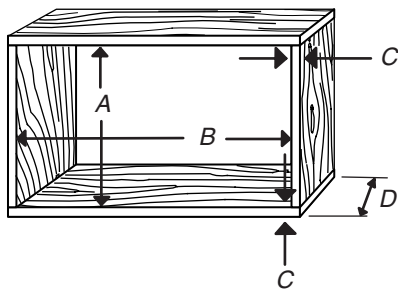


A. 26½" (66.1 cm) minimum
B. 20" (50.8 cm) minimum

Through-the-wall installation

The wall opening measurements should be:

- Width: 26½" (66.1 cm) plus twice thickness of wood used to build frame.
- Height: 19¾" (50.2 cm) plus twice thickness of wood used to build frame.
- Depth: 2½" (6.4 cm) minimum to 8" (20.3 cm) maximum.



A. 19¾" (50.2 cm)
B. 26½" (66.1 cm)
C. Wood thickness
D. 2½" (6.4 cm) minimum to 8" (20.3 cm) maximum

Electrical Requirements

⚠ WARNING



Electrical Shock Hazard

Plug into a grounded 3 prong outlet.

Do not remove ground prong.

Do not use an adapter.

Do not use an extension cord.

Failure to follow these instructions can result in death, fire, or electrical shock.

Ground wire must be connected to ground screw located in lower right corner of air conditioner when air conditioner is in cabinet.

The electrical ratings for your air conditioner are listed on the model and serial number label. The model and serial number label is located behind the front panel on the flange below the control panel area.

Specific electrical requirements are listed in the chart below. Follow the requirements for the type of plug on the power supply cord.

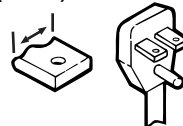
Power supply cord

Wiring requirements

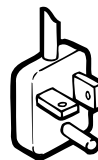


- 115-volt (103.5 min. - 126.5 max.)
- 0-12 amps
- 15-amp time-delay fuse or circuit breaker
- Use on single outlet circuit only.

¼"
(0.6 cm)

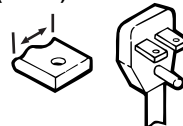


- 230-volt (207 min. - 253 max.)
- 0-12 amps
- 15-amp time-delay fuse or circuit breaker
- Use on single outlet circuit only.



- 230-volt (207 min. - 253 max.)
- 0-16 amps
- 20-amp time-delay fuse or circuit breaker
- Use on single outlet circuit only.

½"
(1.3 cm)



- 230-volt (207 min. - 253 max.)
- 0-24 amps
- 30-amp time-delay fuse or circuit breaker
- Use on single outlet circuit only.

Recommended ground method

This air conditioner must be grounded. This air conditioner is equipped with a power supply cord having a grounded 3 prong plug. To minimize possible shock hazard, the cord must be plugged into a mating, grounded 3 prong outlet, grounded in accordance with all local codes and ordinances. If a mating outlet is not available, it is the customer's responsibility to have a properly grounded 3 prong outlet installed by a qualified electrical installer.

It is the customer's responsibility:

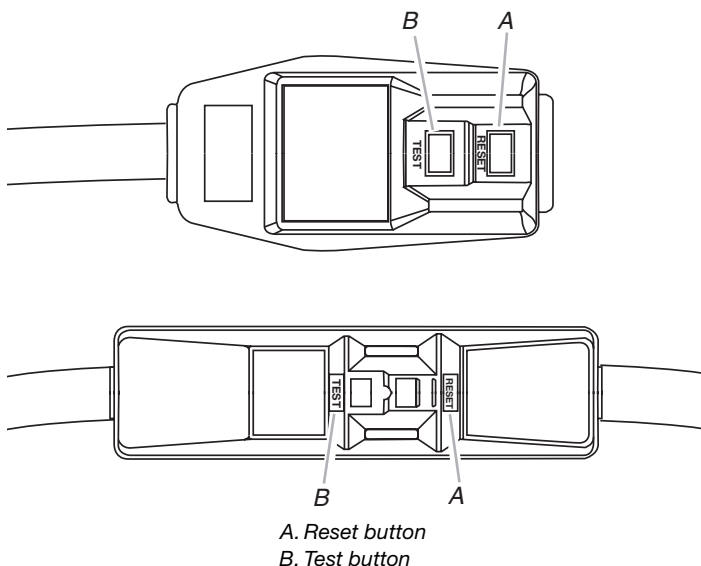
- To contact a qualified electrical installer.
- To assure that the electrical installation is adequate and in conformance with National Electrical Code, ANSI/NFPA 70 - latest edition, and all local codes and ordinances.

Copies of the standards listed may be obtained from:

National Fire Protection Association
One Batterymarch Park
Quincy, MA 02269

Power Supply Cord

NOTE: Your unit's device may differ from the ones shown.



This room air conditioner is equipped with a power supply cord required by UL. This power supply cord contains state-of-the-art electronics that sense leakage current. If the cord is crushed, the electronics detect leakage current and power will be disconnected in a fraction of a second.

⚠ WARNING



Electrical Shock Hazard

Plug into a grounded 3 prong outlet.

Do not remove ground prong.

Do not use an adapter.

Do not use an extension cord.

Failure to follow these instructions can result in death, fire, or electrical shock.

To test your power supply cord:

1. Plug power supply cord into a grounded 3 prong outlet.
2. Press RESET.
3. Press TEST (listen for click; Reset button will trip and pop out).
4. Press and release RESET (listen for click; Reset button will latch and remain in). The power supply cord is ready for operation.

NOTES:

- The Reset button must be pushed in for proper operation.
- The power supply cord must be replaced if it fails to trip when the test button is pressed or fails to reset.
- Do not use the power supply cord as an off/on switch. The power supply cord is designed as a protective device.
- A damaged power supply cord must be replaced with a new power supply cord obtained from the product manufacturer and must not be repaired.
- The power supply cord contains no user serviceable parts. Opening the tamper-resistant case voids all warranty and performance claims.

INSTALLATION INSTRUCTIONS

Unpacking

⚠ WARNING

Excessive Weight Hazard

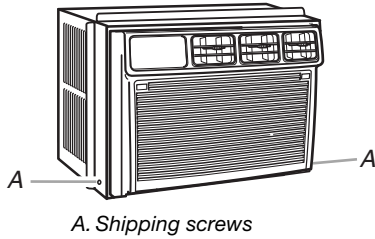
Use two or more people to move and install air conditioner.

Failure to do so can result in back or other injury.

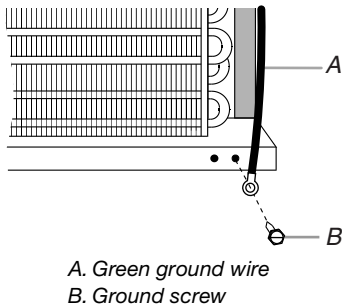
Remove packaging materials

- Remove and properly dispose of packaging materials. Remove tape and glue residue from surfaces before turning on the air conditioner. Rub a small amount of liquid dish soap over the adhesive with your fingers. Wipe with warm water and dry.
- Do not use sharp instruments, rubbing alcohol, flammable fluids, or abrasive cleaners to remove tape or glue. These products can damage the surface of your air conditioner.
- Handle air conditioner gently.

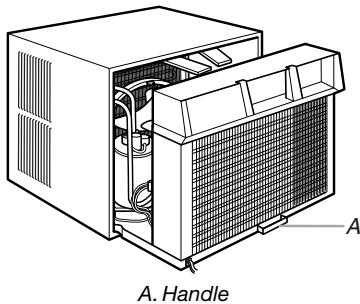
1. Remove air conditioner from carton and place it on cardboard.
2. Remove shipping screws from each side wall of cabinet.



3. Remove front panel from air conditioner and set aside.
4. Remove ground screw and ground wire from front of air conditioner base. Save ground screw.



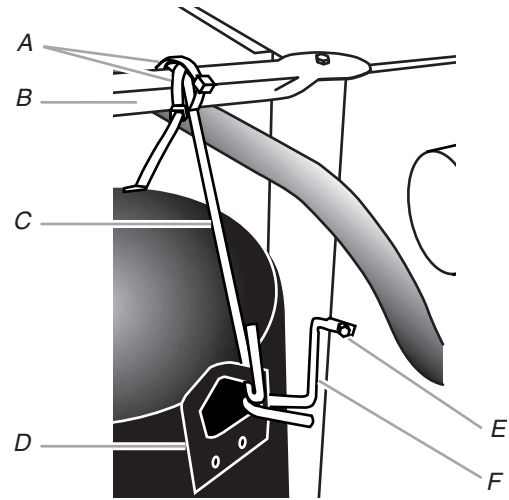
5. Pull on handle to slide air conditioner out of cabinet. Place air conditioner on cardboard.



NOTE: Do not lift, push, pull or remove any expanded polystyrene (foam) from inside the air conditioner. It is not packing material.

Shipping bracket removal (on some models)

1. To remove upper shipping bracket from unit support bracket, cut the 2 wire ties with scissors.
2. Lift the end of the upper shipping bracket off of the unit support bracket and remove the other end from compressor flange.



A. Wire ties (2) D. Compressor flange
B. Unit support bracket E. Remove this screw
C. Upper shipping bracket F. Lower shipping bracket

3. Remove screw from end of lower shipping bracket attached to divider wall using a 1/4" nut driver or socket wrench.
4. Remove the other end of lower shipping bracket from compressor flange.

NOTES:

- If compressor flange interferes with sliding air conditioner back into cabinet, bend flange back against the compressor.
- Reinstall shipping brackets only if unit will be moved from its present location.

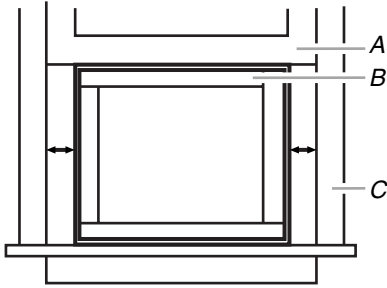
Installing the Cabinet in a Window

- Handle air conditioner gently.
- Be sure your air conditioner cabinet does not fall out of the opening during installation or removal.
- The place where the power cord exits the air conditioner should be no more than 4 ft (122 cm) from a grounded 3 prong outlet.
- Do not block the louvers on the front panel.
- Do not block the louvers on the outside of the air conditioner.

Filler board installation

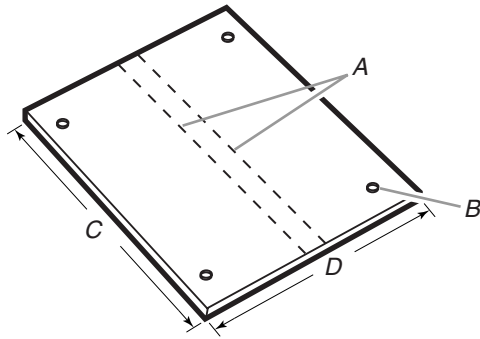
1. Center empty cabinet in window. Maintain a firm hold on the air conditioner cabinet. Lower window sash to hold cabinet in place.
2. Measure the distance between the right side of the cabinet and the inside of the window channel.
3. Repeat for the left side.

- Adjust the cabinet until the distance on each side is the same. Then add $\frac{1}{8}$ " (3.2 mm) for the final measurement to be used in the next step.



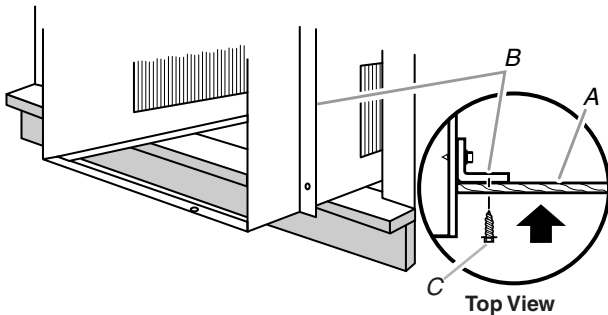
A. Window sash
B. Empty cabinet
C. Window channel

- Use final measurement to measure in from each edge of the filler board. Mark lines in such a way that the outside edges of the filler board will contain the screw holes.
- Place cardboard or other protective material on a sturdy, flat surface. Position filler board on top of the protective material to keep from cutting into the surface below.
- Place a ruler or straight edge along the lines drawn previously and use a utility knife to cut filler boards to size along the lines. Make cut so the outside edges of filler boards will have screw holes.



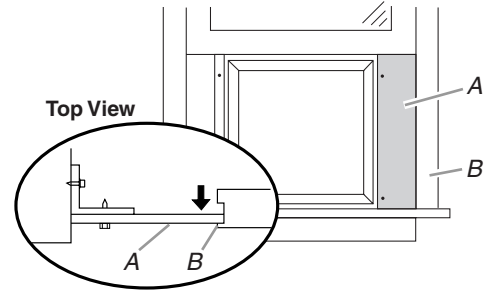
A. Lines
B. Screw hole
C. Long edge
D. Short edge

- Pull cabinet part way out of window. Attach right filler board to front of a side-mounting angle with two $\frac{1}{2}$ " hex-head screws.



A. Right filler board
B. Side-mounting angle
C. $\frac{1}{2}$ " hex-head screw

- Place cabinet back into the window with right filler board tight against window channel. Insert left filler board into window channel.



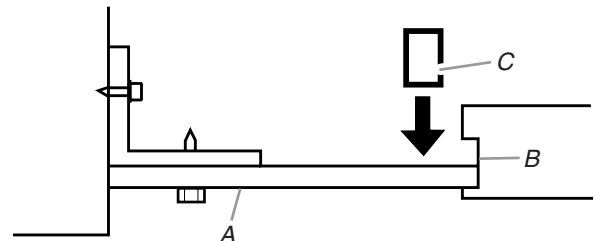
A. Right filler board
B. Window channel

- Push left filler board against side-mounting angle and attach with two $\frac{1}{2}$ " hex-head screws. From the outside, push filler boards as far forward in window channels as possible.

Foam block installation

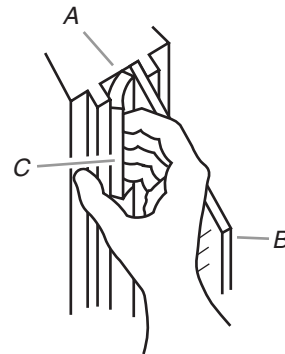
- Measure the distance between the channel edge and the filler board.
- Cut foam blocks $\frac{1}{4}$ " (6.4 mm) wider and insert into channel behind filler boards.

Top View



A. Filler board
B. Window channel
C. Foam block

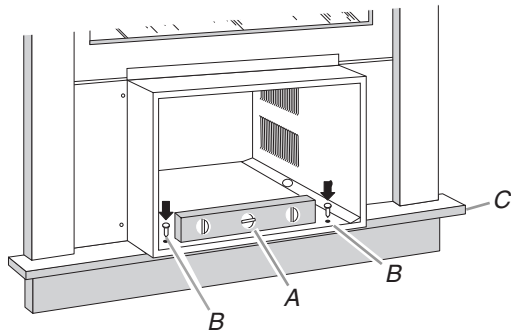
Outside View



A. Window channel
B. Filler board
C. Foam block

Level cabinet

1. Use a level to check that cabinet is level side to side.
2. Use a $\frac{3}{32}$ " drill bit to drill 2 starter holes through the 2 holes in the cabinet and into the windowsill.
3. Attach cabinet to window with 2 - #10 - 12 x $\frac{3}{4}$ " wood screws.

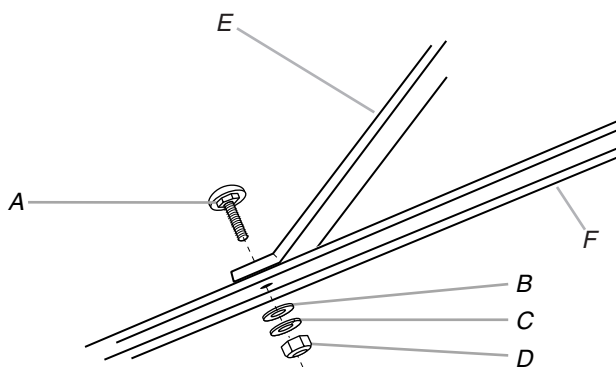


A. Level
B. Wood screw
C. Windowsill

4. Check that air conditioner cabinet is tilted to the outside so that water will run to the outside.

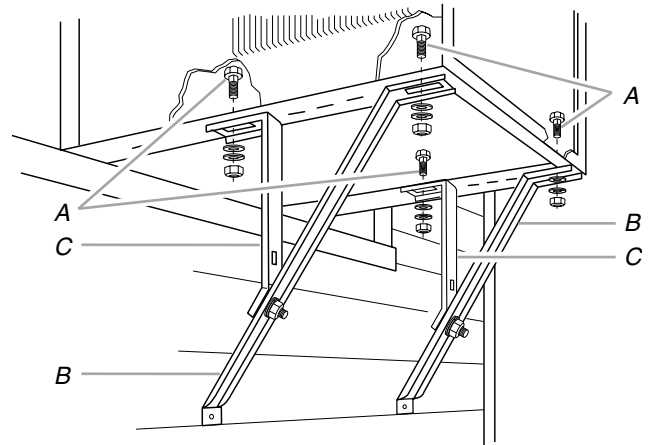
Secure cabinet to window

1. Attach vertical support to angle support. Do not overtighten nut. Repeat.



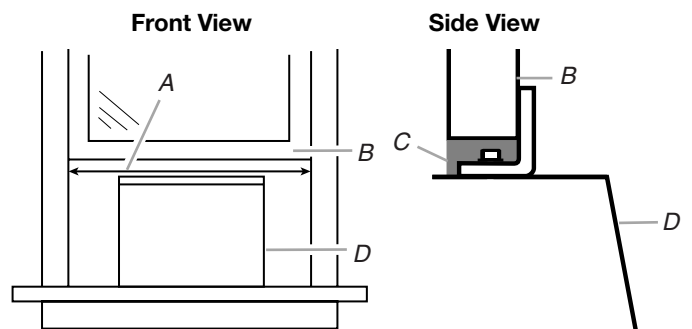
A. Bolt
B. Flat washer
C. Lock washer
D. Nut
E. Vertical support
F. Angle support

2. Attach support assembly to bottom of cabinet. Attach vertical supports to cabinet first. Do not tighten nuts at this time.
3. Attach angle supports to cabinet. Do not tighten nuts at this time. Slide each support assembly toward house until they are firmly against wall.
NOTE: If your house is constructed of material that could be damaged by angle supports, fasten a board between angle supports and house.
4. Check that cabinet still tilts to the outside so that water will run to the outside.
5. Tighten nuts securely (do not overtighten) with a $\frac{7}{16}$ " socket and socket wrench. Tighten angle support nuts last so angle supports fit tightly against house.



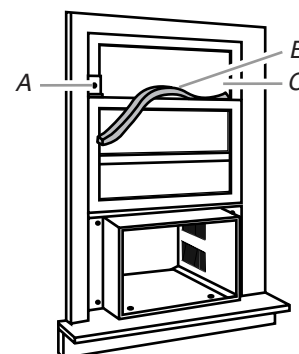
A. Bolts
B. Angle supports
C. Vertical supports

6. Measure inside width of window frame.
7. Cut foam window sash seal with square ends to fit.
8. Hold cabinet to prevent it from falling. Raise window sash. Align foam seal with front edge of window sash and attach seal with adhesive side against underside of sash. Lower window sash.



A. Width of frame
B. Sash
C. Foam window sash seal
D. Cabinet

9. Insert window rail seal behind the top of the lower window sash and against the glass of the upper window.
10. Place window-lock bracket on top of lower window and against upper window sash.
11. Use a $\frac{3}{32}$ " drill bit to drill a starter hole through the hole in the bracket into the window sash.
12. Attach window-lock bracket to window sash with #10 - 12 x $\frac{3}{4}$ " wood screw to secure window in place.



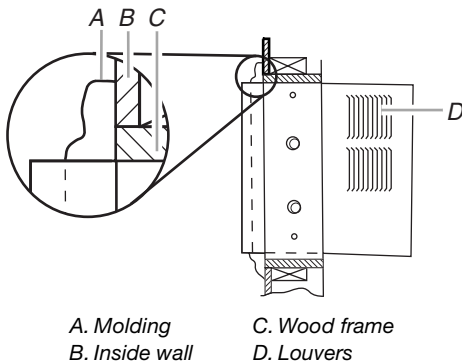
A. Window lock bracket
B. Window rail seal
C. Upper window glass

Installing the Cabinet Through a Wall

- Handle air conditioner gently.
- Be sure your air conditioner cabinet does not fall out of the opening during installation or removal.
- The place where the power cord exits the air conditioner should be no more than 4 ft (122 cm) from a grounded 3 prong outlet.
- It is the customer's responsibility and obligation to have this product installed by a qualified technician familiar with through-the-wall room air conditioner installations.
- Do not block the louvers on the front panel.
- Do not block the louvers on the outside of the air conditioner.

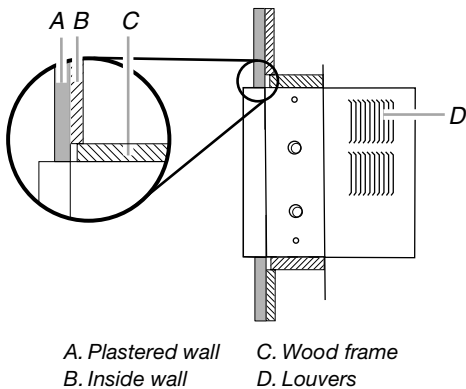
Option 1—Wood, metal or plastic molding

When using a wood, metal or plastic molding, the wood frame should line up with inside wall as shown.

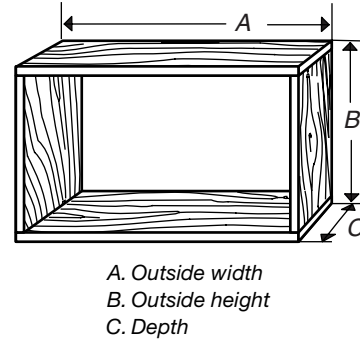


Option 2—Plaster wall with no molding

If the plastered wall is to be flush with the cabinet and no molding is used, the wood frame must be set $\frac{1}{2}$ " (13 mm) into the inside wall.



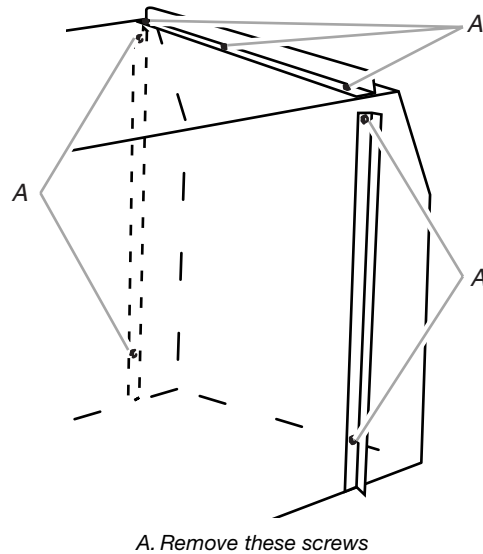
- Use 1" (2.5 cm) or thicker lumber for wood frame.



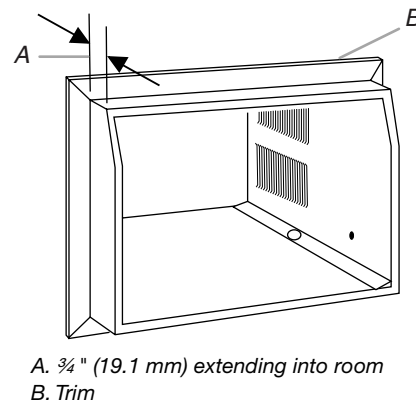
4. Apply wood preservative to the outside exposed surface.
5. Insert the frame in the wall opening. Square and level frame.
6. Attach frame securely to the wall.

Installing cabinet into wood frame

1. Remove top channel and both side channels using a $\frac{1}{4}$ " nut driver or socket wrench. Discard top channel and both side channels.



2. Insert cabinet into the framed wall opening. The top of the cabinet should extend $\frac{3}{4}$ " (19.1 mm) into the room. If there is trim, the cabinet should extend $\frac{3}{4}$ " (19.1 mm) past the trim.



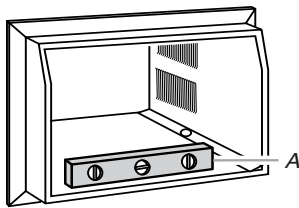
Installing wood frame

1. Construct wood frame. See "Location Requirements" for dimensions.
2. Measure outside width and height of frame to determine wall opening dimensions.
3. Cut opening through the wall. Remove and save insulation.

NOTES:

- Dimension for depth depends on wall thickness and type of molding.
- Do not block louvers in air conditioner cabinet.

- Use a level to check that cabinet is level side to side.



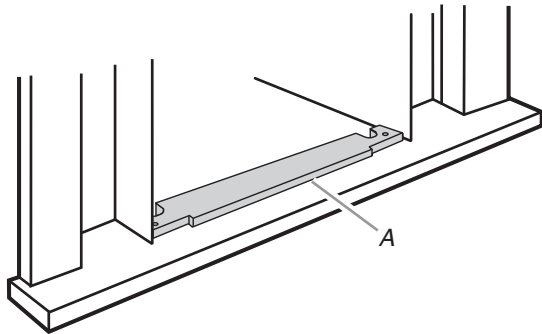
A. Level

- Check that air conditioner cabinet is tilted to the outside so that water will run to the outside.
 - Reuse the insulation to seal opening between cabinet and frame.
 - Use existing holes in sides and top of cabinet and 7 - #10 x 1" wood screws (not provided) to attach cabinet to frame.
- NOTE:** Do not overtighten screws or cabinet will distort and provide a poor air seal between cabinet and air conditioner.
- Caulk all outside wall openings around cabinet.

Complete Installation

- Peel paper from adhesive backing on the 2½" (6.4 cm) seal strip. Place the 2½" (6.4 cm) seal strip inside the cabinet. Make seal flush with cabinet front edge.

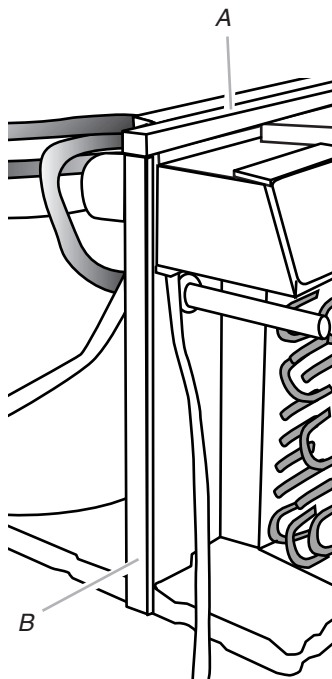
NOTE: This seal strip fits between the air conditioner base and the cabinet.



A. 2 ½" seal strip

NOTE: Handle air conditioner gently.

- Peel paper from adhesive backing on one of the 2 short air conditioner seals. Align left-side air conditioner seal against metal flange behind control box. Attach long, top air conditioner seal over seam in top of air conditioner and right-side air conditioner seal so they align with left seal.



A. Long, top air conditioner seal
B. Short left-side air conditioner seal

- Make sure the free end of the ground wire is outside of the cabinet.

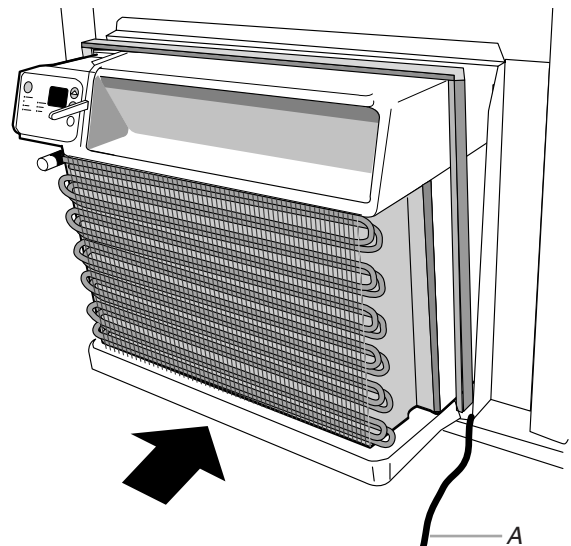
⚠ WARNING

Excessive Weight Hazard

Use two or more people to move and install air conditioner.

Failure to do so can result in back or other injury.

- Insert air conditioner into cabinet.



A. Make sure the free end of the ground wire is outside of the cabinet.

⚠ WARNING



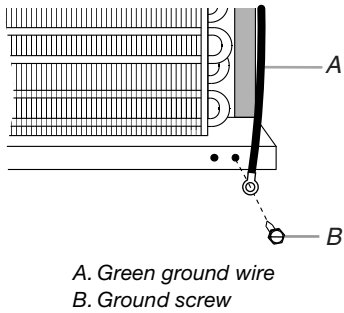
Electrical Shock Hazard

Connect green ground wire to ground screw.

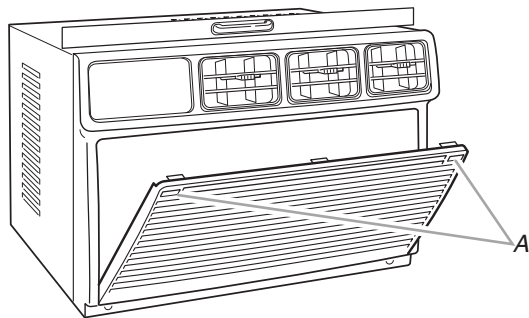
Failure to do so can result in death or electrical shock.

- Connect green ground wire to cabinet base with ground screw.

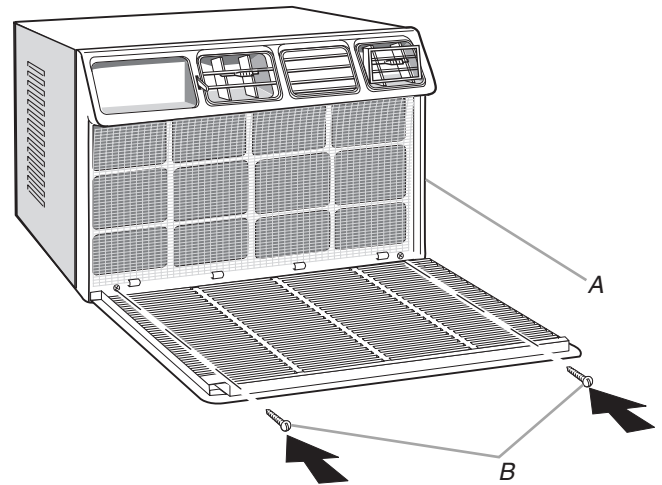
Position ground wire pointing straight up. Put excess ground wire between coil and air conditioner cabinet.



6. Push front panel straight on and then lower it slightly to lock it into place.
7. Using the indents in top of filter door, pull door down.



8. Using 2 - #8 - 18 x 3/8" round-head screws, attach bottom front of panel.



NOTE: For through-the-wall installations, if needed, install molding around room side of cabinet.

⚠ WARNING

Electrical Shock Hazard

Plug into a grounded 3 prong outlet.

Do not remove ground prong.

Do not use an adapter.

Do not use an extension cord.

Failure to follow these instructions can result in death, fire, or electrical shock.

9. Plug into a grounded 3 prong outlet.
10. Press RESET on the power supply cord.

AIR CONDITIONER USE

Operating your air conditioner properly helps you to obtain the best possible results.

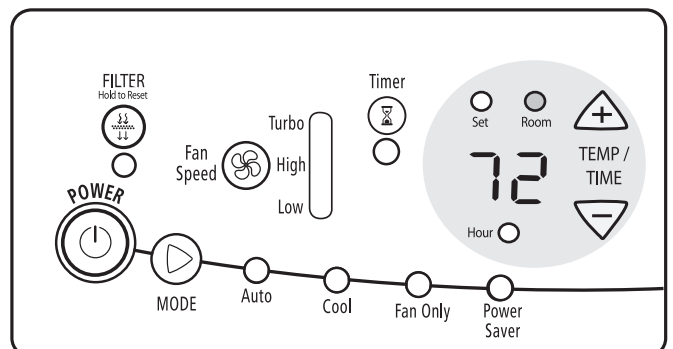
This section explains proper air conditioner operation.

IMPORTANT:

- If you turn the air conditioner off, wait at least 3 minutes before turning it back on. This prevents the air conditioner from blowing a fuse or tripping a circuit breaker.
- Do not try to operate your air conditioner in the cooling mode when outside temperature is below 65°F (18°C). The inside evaporator coil will freeze up, and the air conditioner will not operate properly.

NOTE: In the event of a power failure, your air conditioner will operate at the previous settings when the power is restored.

Starting Your Air Conditioner— Digital Control



NOTES:

- When the air conditioner is off, the Room indicator light is lit and the display shows the current room temperature.
 - If the room temperature is below 55°F (13°C), the display will show 55°F (13°C). If the room temperature is above 99°F (37°C), the display will show 99°F (37°C).
 - When the Set indicator light is lit, the display shows the temperature control setting. See “Temperature.”
 - When the Hour indicator light is lit, the display shows the time remaining on the Timer setting. See “Timer Delay.”
1. Remove clear protective film from control panel and front panel badge (on some models).
 2. Press POWER to turn on air conditioner.



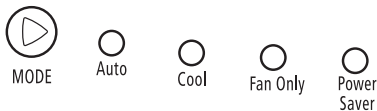
NOTE: When air conditioner is turned on for the first time after it is plugged in, it will display the default settings: Cool mode, Turbo fan speed, 72°F (22°C) for 3 seconds. When it is turned on at all other times, it will display the previous settings for 3 seconds, and then display the room temperature.

3. Select mode. See “Mode.”
4. Select fan speed. See “Fan Speed.”
5. Set temperature. See “Temperature.”

Mode

1. Press MODE until you see the indicator light come on for the setting you desire.
2. Choose Auto, Cool, Fan Only or Power Saver.
 - Auto—Cools room while it automatically controls fan speed. You cannot change fan speed, but you can adjust temperature by pressing the plus or minus button.
 - Cool—Cools room. You can adjust temperature by pressing the plus or minus button. You can select fan speed by pressing FAN SPEED.
 - Fan Only—Only the fan runs. You can select the fan speed by pressing FAN SPEED, but you cannot adjust the Temperature control setting. Display shows the current room temperature.
 - Power Saver—Fan runs only when cooling is needed. You can select the fan speed by pressing FAN SPEED.

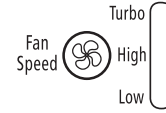
Because the fan does not circulate the room air continuously, less energy is used, but the room air is not circulated as often. Use Power Saver when you are asleep or away from home.



Fan Speed

NOTE: The Fan Speed button will operate only when Cool, Fan Only or Power Saver mode has been selected.

1. Press FAN SPEED until you see the indicator light come on for the setting you desire.
2. Choose Turbo, High or Low.



Filter Monitor

1. When Filter indicator light is lit or flashing, remove, clean and replace air filter. See “Cleaning the Air Filter.”
2. Press and hold FILTER for 3 seconds after cleaning and replacing the air filter. This resets the Filter Monitor.

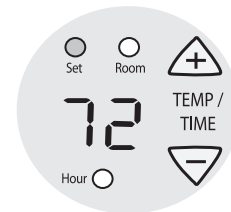


NOTE: After 360 hours of fan operating time, the Filter indicator light will turn on. It will remain on for 180 hours or until you press FILTER. After 180 hours, it will flash. It will continue flashing until you press FILTER.

Temperature

- Press the plus button to raise the temperature. Room indicator light will turn off, and Set indicator light will turn on. Display shows the Temperature control setting. Each time you press or hold the plus button, the temperature will increase 1° until it reaches 86°F (30°C).

NOTE: After 3 seconds, Set indicator light will turn off, and Room indicator light will turn on. Display will show the current room temperature.



- Press the minus button to lower the temperature. Room indicator light will turn off, and Set indicator light will turn on. Display shows the Temperature control setting. Each time you press or hold the minus button, the temperature will decrease 1° until it reaches 64°F (18°C).

NOTE: After 3 seconds, Set indicator light will turn off, and Room indicator light will turn on. Display will show the current room temperature.

To change the temperature display from °F to °C:

1. Turn off the air conditioner.
2. While the air conditioner is off, press and hold down the MODE and FAN SPEED buttons while pressing POWER to turn on the air conditioner.

NOTE: Follow these same steps to change the temperature display from °C to °F.

Timer delay

To set the Timer for a 1- to 24-hour delay until the air conditioner turns off (the air conditioner must be On):

1. Press TIMER. Timer indicator light will flash. Hour indicator light will turn on, and display will show remaining hours before air conditioner will turn off.



2. Press the plus or minus button to adjust the delay time (1 to 24 hours).
3. Press TIMER again or wait 10 seconds. Timer indicator light will remain on. Hour indicator light will turn off, and Room indicator light will turn on. Display will show the current room temperature.

To set the Timer to turn on the air conditioner, keeping previous settings:

1. Turn off air conditioner.
2. Press TIMER. Timer indicator light will flash. Hour indicator light will turn on, and display will show remaining hours before air conditioner will turn on.
3. Press the plus or minus button to change delay time (1 to 24 hours).
4. Press TIMER again or wait 10 seconds. Timer indicator light will remain on. Hour indicator light will turn off, and Room indicator light will turn on. Display will show current room temperature.

To set the Timer to turn on the air conditioner, changing the previous settings:

1. Turn on air conditioner.
2. Adjust Mode to Auto, Cool, Fan Only, or Power Saver.
NOTE: For Auto mode, go to Step 4.
3. For Cool, Fan Only or Power Saver mode, adjust FAN SPEED to Turbo, High or Low.
4. Adjust temperature between 64°F (18°C) and 86°F (30°C).
5. Wait 3 seconds before turning off air conditioner.
6. Press TIMER. Timer indicator light will flash. Hour indicator light will turn on, and display will show remaining hours before air conditioner will turn on.
7. Press the plus or minus button to change delay time (1 to 24 hours).
8. Press TIMER again or wait 10 seconds. Timer indicator light will remain on. Hour indicator light will turn off, and Room indicator light will turn on. Display will show current room temperature.

To clear Timer delay program:

NOTE: Air conditioner can be either on or off.

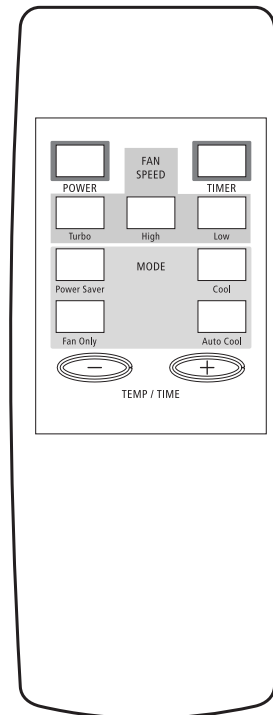
Press and hold TIMER for 3 seconds. Timer indicator light will shut off.

To see or change the remaining time (in hours):

1. Press TIMER once after it has been programmed. Hour indicator light will turn on, and display will show remaining time.
2. While the display is showing the remaining time, you can press the plus or minus button to increase or decrease the time.
3. After 10 seconds, Hour indicator light will turn off, and Room indicator light will turn on. Display will show the current room temperature.

To operate air conditioner with remote control

NOTE: Remote control may vary in appearance.



NOTE: Two AA batteries (not included) power the remote control. Replace batteries after 6 months of use, or when the remote control starts to lose power.

To turn the air conditioner on or off:

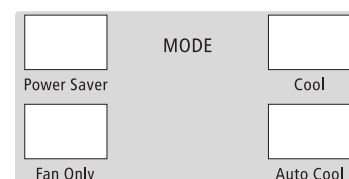
Press POWER.



To select the mode:

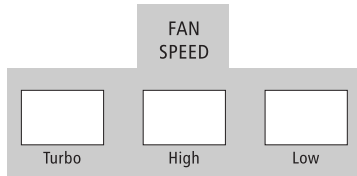
Press AUTO COOL, COOL, FAN ONLY, or POWER SAVER.

- Auto Cool—fan speed is adjusted automatically.
- Cool, Fan Only or Power Saver—you can adjust the fan speed.



To select the fan speed (in Cool, Fan Only or Power Saver mode only):

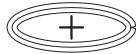
Press TURBO, HIGH or LOW.



To raise the temperature:

Press the plus button. Room indicator light on air conditioner will turn off, and Set indicator light on air conditioner will turn on. Display on air conditioner shows the Temperature control setting. Each time you press or hold the plus button, the temperature will increase 1° until it reaches 86°F (30°C).

NOTE: After 3 seconds, Set indicator light on air conditioner will turn off, and Room indicator light on air conditioner will turn on. Display on air conditioner will show the current room temperature.



To lower the temperature:

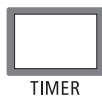
Press the minus button. Room indicator light on air conditioner will turn off, and Set indicator light on air conditioner will turn on. Display on air conditioner shows the Temperature control setting. Each time you press or hold the minus button, the temperature will decrease 1° until it reaches 64°F (18°C).

NOTE: After 3 seconds, Set indicator light on air conditioner will turn off, and Room indicator light on air conditioner will turn on. Display on air conditioner will show the current room temperature.



To set the Timer for a 1- to 24-hour delay until the air conditioner turns off (the air conditioner must be On):

1. Press TIMER. Timer indicator light on air conditioner will flash. Hour indicator light on air conditioner will turn on, and display on air conditioner will show remaining hours before air conditioner will turn off.



2. Press the plus or minus button to change delay time (1 to 24 hours).
3. Press TIMER again or wait 10 seconds. Timer indicator light on air conditioner will remain on. Hour indicator light on air conditioner will turn off, and Room indicator light on air conditioner will turn on. Display on air conditioner will show the current room temperature.

To set Timer to turn on air conditioner, keeping previous settings:

1. Turn off air conditioner.
2. Press TIMER. Timer indicator light on air conditioner will flash. Hour indicator light on air conditioner will turn on, and display on air conditioner will show remaining hours before air conditioner will turn off.

3. Press the plus or minus button to change delay time (1 to 24 hours).
4. Press TIMER again or wait 10 seconds. Timer indicator light on air conditioner will remain on. Hour indicator light on air conditioner will turn off, and Room indicator light on air conditioner will turn on. Display on air conditioner will show the current room temperature.

To set Timer to turn on air conditioner, changing the previous settings:

1. Turn on air conditioner.
2. Adjust Mode to Auto Cool, Cool, Fan Only, or Power Saver.
NOTE: For Auto Cool mode, go to Step 4.
3. For Cool, Fan Only or Power Saver mode, adjust Fan Speed to Turbo, High or Low.
4. Adjust temperature between 64°F (18°C) and 86°F (30°C).
5. Wait 3 seconds before turning off air conditioner.
6. Press TIMER. Timer indicator light on air conditioner will flash. Hour indicator light on air conditioner will turn on, and display on air conditioner will show remaining hours before air conditioner will turn on.
7. Press the plus or minus button to change delay time (1 to 24 hours).
8. Press TIMER again or wait 10 seconds. Timer indicator light on air conditioner will remain on. Hour indicator light on air conditioner will turn off, and Room indicator light on air conditioner will turn on. Display on air conditioner will show current room temperature.

Starting Your Air Conditioner—Rotary Controls

1. Remove the clear protective film from the front panel badge (on some models).
2. Set the Vent control. See “Vent Control (on some models).”
3. Set the Fan Control to desired setting. See “Fan Control” for your model.
4. Turn the Thermostat control to a mid-setting. See “Thermostat” for your model.

Vent Control (on some models)

Push the Vent control to CLOSED for maximum continuous cooling. Pull the Vent control OPEN to allow you to draw stale or smoky air from the room.

- Open—pull to vent room air to the outside
- Closed—push to circulate room air



A. Pull to open or push to close

NOTE: The Vent control will function only when the Fan Control is operating.

Style 1—Cool only air conditioner settings

Fan Control

Set the Fan control to the desired setting. When the air conditioner is operating at Low Cool, High Cool or Turbo Cool, the fan circulates air continuously.

- Turbo Cool—for maximum cooling
- High Cool—for normal cooling
- Low Cool—for sleeping comfort
- Fan Only—to move air continuously without cooling

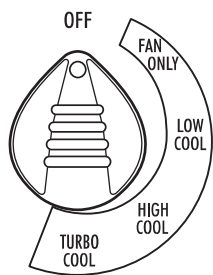
NOTE: Fan runs on Turbo speed only.

- Power Saver (on some models)—fan runs only when cooling is needed.

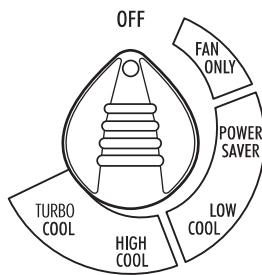
Since the fan does not circulate the room air continuously, less energy is used, but the room air is not circulated as often. Use Power Saver when you are asleep or away from home.

NOTE: Fan runs on Low speed only.

Your air conditioner will have one of these fan controls



 FAN CONTROL



 FAN CONTROL

Style 2—Heat/cool air conditioner settings (on some models)

Fan Control

Set FAN control to the desired setting. When the air conditioner is operating at Low Cool, High Cool, Turbo Cool, Low Heat or Turbo Heat, the fan circulates air continuously.

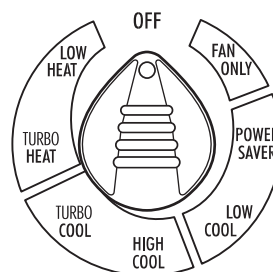
- Turbo Cool—for maximum cooling
- High Cool—for normal cooling
- Low Cool—for sleeping comfort
- Turbo Heat—for maximum heating
- Low Heat—for reduced heating
- Fan Only—to move air continuously without cooling or heating

NOTE: Fan runs on Turbo speed only.

- Power Saver—fan runs only when cooling is needed.

Since the fan does not circulate the room air continuously, less energy is used, but the room air is not circulated as often. Use Power Saver when you are asleep or away from home.

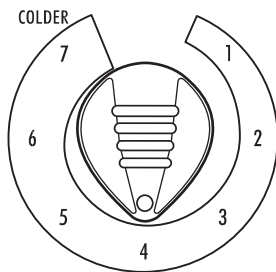
NOTE: Fan runs on Low speed only.



 FAN CONTROL

Thermostat

Turn the THERMOSTAT control to a mid-setting. Adjust the air conditioner's performance by turning the Thermostat control clockwise for maximum cooling. For less cooling, turn the THERMOSTAT control counterclockwise. Experiment to find the setting that suits you best.



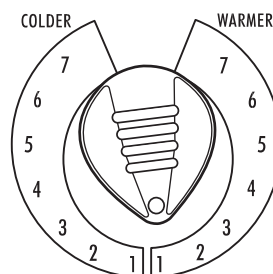
 THERMOSTAT

Thermostat

Turn the THERMOSTAT control to a mid-setting. Adjust the air conditioner's performance by turning the Thermostat control clockwise for maximum cooling. For less cooling, turn the THERMOSTAT control counterclockwise. Experiment to find the setting that suits you best.

For heating, turn the THERMOSTAT control counterclockwise. The electric-strip heater is activated when the Fan Control is set to a heat setting.

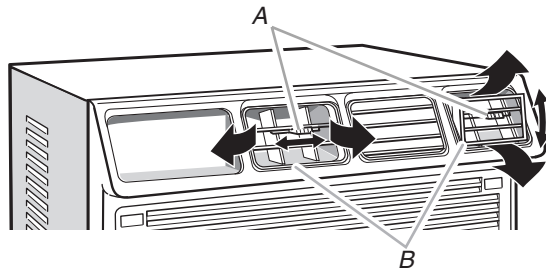
NOTE: Your air conditioner is not designed to be used as a primary heat source. It is intended for supplemental heating only.



 THERMOSTAT

Changing Air Direction

Use the tabs to direct the air right, left or straight ahead (on some models). Rotate the whole cartridge to direct air up, down or straight ahead.



A. Tabs
B. Cartridges

Normal Sounds

When your air conditioner is operating normally, you may hear sounds such as:

- Droplets of water hitting the condenser, causing a pinging or clicking sound. The water droplets help cool the condenser.
- Air movement from the fan.
- Clicks from the thermostat cycle.
- Vibrations or noise due to poor wall or window construction.
- A high-pitched hum or pulsating noise caused by the modern high-efficiency compressor cycling on and off.

AIR CONDITIONER CARE

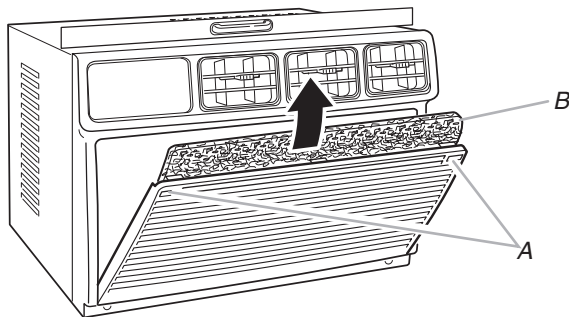
Your new air conditioner is designed to give you many years of dependable service. This section tells you how to clean and care for your air conditioner properly. Call your local authorized dealer for an annual checkup. Remember... the cost of this service call is your responsibility.

Cleaning the Air Filter

The air filter is removable for easy cleaning. A clean filter helps remove dust, lint, and other particles from the air and is important for best cooling or heating and operating efficiency. Check the filter every 2 weeks to see whether it needs cleaning.

NOTE: Do not operate the air conditioner without the filter in place.

1. Turn off air conditioner.
2. Using the indents in top of filter door, pull door down. Filter door is not removable.
3. Slide air filter up and out to remove from the filter door.



A. Indents
B. Air filter

4. Use a vacuum cleaner to clean air filter. If air filter is very dirty, wash it in warm water with a mild detergent. Do not wash air filter in the dishwasher or use any chemical cleaners. Air dry filter completely before replacing to ensure maximum efficiency.
5. Slide air filter down into the filter door. Close filter door.

Cleaning the Front Panel

1. Turn off air conditioner.
2. Remove the air filter and clean it separately. See "Cleaning the Air Filter."
3. Wipe the front panel with a soft, damp cloth.
4. Air dry front panel completely.

Repairing Paint Damage

Check once or twice a year for paint damage. This is very important, especially in areas near oceans or where rust is a problem. If needed, touch up with a good grade enamel paint.

NOTE: To reduce paint damage during the winter, install a heavy-duty cover over air conditioner cabinet. For information on ordering a heavy-duty cover, see "Accessories."

Annual Maintenance

Your air conditioner needs annual maintenance to help ensure steady, top performance throughout the year. Call your local authorized dealer to schedule an annual checkup. The expense of an annual inspection is your responsibility.

TROUBLESHOOTING

Before calling for service, try the suggestions below to see whether you can solve your problem without outside help.

Air conditioner will not operate

- **The power supply cord is unplugged.** Plug into a grounded 3 prong outlet. See “Electrical Requirements.”
- **The power supply cord has tripped (Reset button has popped out).** Press and release RESET (listen for click; Reset button will latch and remain in) to resume operation.
- **A household fuse has blown, or a circuit breaker has tripped.** Replace the fuse or reset the circuit breaker. If the problem continues, call an electrician. See “Electrical Requirements.”
- **Depending on model, the Power button has not been pressed or the Fan control is turned to Off.** Press POWER or turn the Fan control to an active setting.
- **The local power has failed.** Wait for power to be restored.

Air conditioner blows fuses or trips circuit breakers

- **Too many appliances are being used on the same circuit.** Unplug or relocate appliances that share the same circuit.
- **Time-delay fuse or circuit breaker of the wrong capacity is being used.** Replace with a time-delay fuse or circuit breaker of the correct capacity. See “Electrical Requirements.”
- **An extension cord is being used.** Do not use an extension cord with this or any other appliance.
- **You are trying to restart the air conditioner too soon after turning the unit off.** Wait at least 3 minutes after turning the unit off before trying to restart the air conditioner.

Air conditioner power supply cord trips (Reset button pops out)

- **Disturbances in your electrical current can trip (Reset button will pop out) the power supply cord.** Press and release RESET (listen for click; Reset button will latch and remain in) to resume operation.
- **An electrical overloading, overheating, pinching or aging can trip (Reset button will pop out) the power supply cord.** After correcting the problem, press and release RESET (listen for click; Reset button will latch and remain in) to resume operation.

NOTE: A damaged power supply cord must be replaced with a new power supply cord obtained from the product manufacturer and must not be repaired.

Air conditioner seems to run too much

- **The current air conditioner replaced an older model.** The use of more efficient components may cause the air conditioner to run longer than an older model, but the total energy consumption will be less. Newer air conditioners do not emit the “blast” of cold air you may be accustomed to from older units, but this is not an indication of lesser cooling capacity or efficiency. Refer to the efficiency rating (EER) and capacity rating (in BTU/hr.) marked on the air conditioner.

- **The air conditioner is in a heavily occupied room, or heat-producing appliances are in use in the room.** Use exhaust vent fans while cooking or bathing and try not to use heat-producing appliances during the hottest part of the day. A higher capacity air conditioner may be required, depending on the size of the room being cooled.

Air conditioner cycles on and off too much, or does not cool/heat room in cooling/heating mode

- **The Mode or Fan control is set to Power Saver (on some models).** Use Power Saver only when you are asleep or away from home, since the fan does not circulate the room air continuously. Use Low Cool, High Cool or Turbo Cool for your best comfort.
- **The air conditioner is not properly sized for your room.** Check the cooling capabilities of your room air conditioner. Room air conditioners are not designed to cool multiple rooms.
- **The filter is dirty or obstructed by debris.** Clean the filter.
- **The inside evaporator and outside condenser coils are dirty or obstructed by debris.** See “Annual Maintenance.”
- **There is excessive heat or moisture (open container cooking, showers, etc.) in the room.** Use a fan to exhaust heat or moisture from the room. Try not to use heat-producing appliances during the hottest part of the day.
- **The louvers are blocked.** Install the air conditioner in a location where the louvers are free from curtains, blinds, furniture, etc.
- **The outside temperature is below 65°F (18°C).** Do not try to operate your air conditioner in the cooling mode when the outside temperature is below 65°F (18°C).
- **The temperature of the room you are trying to cool is extremely hot.** Allow extra time for the air conditioner to cool off a very hot room.
- **Windows or doors to the outside are open.** Close all windows and doors.
- **The Vent control is set to OPEN (on some models).** Push the Vent control to CLOSED for maximum cooling and/or heating.
- **The temperature set point or Thermostat control is not at a cool enough setting.** Adjust the temperature set point to a cooler setting by pressing the minus button to reduce the temperature or adjust the Thermostat control to a cooler setting by turning the knob clockwise. Turn the Fan control to Turbo Cool.
- **The air conditioner in the heating mode has insufficient BTU/hr for the heating requirements of the room.** Do not use the air conditioner as a primary source of heat.

Temperature on display does not match room temperature

- **When the compressor and fan motor turn off during Power Saver mode, or after you turn off the unit, a lower temperature reading than the actual room temperature may be displayed for a short period of time.** This lower temperature reading is caused by the temperature sensor being located close to the cold evaporator coil. The actual room temperature will display within a few minutes.

Water drips from cabinet into your house

- **The air conditioner is not properly leveled.** The air conditioner should slope slightly downward toward the outside. Level the air conditioner to provide a downward slope toward the outside to ensure proper drainage. See the Installation Instructions.
NOTE: Do not drill a hole into the bottom of the metal base and condensate pan.

ASSISTANCE OR SERVICE

To avoid unnecessary service calls, please check the "Troubleshooting" section. It may save you the cost of a service call. If you still need help, follow the instructions below.

If you need assistance or service

Call the Customer eXperience Center telephone number. Dial toll-free **1-800-253-1301** in the U.S.A. Our consultants are available to assist you.

When calling: Please know the purchase date, and the complete model and serial number of your appliance.

This information will help us better respond to your request.

Our consultants provide assistance with:

- Features and specifications on our full line of appliances
- Installation information
- Use and maintenance procedures
- Accessory and repair parts sales
- Specialized customer assistance (Spanish speaking, hearing impaired, limited vision, etc.)
- Referrals to local dealers, service companies, and repair parts distributors

Our service technicians are trained to fulfill the product warranty and provide after-warranty service, anywhere in the United States.

To locate the authorized service company in your area, you can also look in your telephone directory Yellow Pages.

If you need replacement parts

If you need to order replacement parts, we recommend that you only use factory-authorized parts. These parts will fit right and work right, because they are made to the same exacting specifications used to build every new appliance.

To locate factory-authorized parts in your area, call our Customer eXperience Center telephone number, your nearest authorized service center, or Factory Service at **1-800-442-1111** in the U.S.A.

For further assistance

If you need further assistance, you can write to ask any questions or tell us about your concerns to:

Customer eXperience Center
553 Benson Road
Benton Harbor, MI 49022-2692

Please include a daytime phone number in your correspondence.

Please record your model's information.

Whenever you call to request service on your appliance, you need to know your complete model number and serial number. You can find this information on the model and serial number label. See "Electrical Requirements" for model and serial number location.

Please record the model and serial number information below. Also, record the purchase date of your appliance and the store's name, address, and telephone number.

Model Number _____

Serial Number _____

Purchase Date _____

Store Name _____

Store Address _____

Store Phone _____

Keep this book and the sales slip together for future reference.

Accessories

You can order the following accessories for your air conditioner from your local authorized dealer or by calling **1-800-253-1301** from anywhere in the U.S.A. You will hear a recording. Follow the instructions to place an order.

Replacement air filters

A good, clean air filter is important for best cooling with least energy consumption. Your air filter should be cleaned regularly. See "Cleaning the Air Filter" section for cleaning instructions. We suggest you replace your air filter once a year.

Heavy-duty cover

If you decide to leave your air conditioner installed during the winter, a heavy-duty cover will help protect your air conditioner and reduce drafts. The outdoor cover protects against cold drafts through the unit's air passages and protects the cabinet from snow, rain, sleet, rust, and dust.

For a heavy-duty outdoor cover sized to fit your air conditioner, order Part Number 484069.

For a heavy-duty indoor cover sized to fit your air conditioner, order Part Number 4392941.

Wide Window Kit

A special Wide Window Kit is available for windows 40" (101.6 cm) to 54" (137.2 cm) wide. Use Kit Number 1162147.

SEGURIDAD DEL ACONDICIONADOR DE AIRE

Su seguridad y la seguridad de los demás es muy importante.

Hemos incluido muchos mensajes importantes de seguridad en este manual y en su electrodoméstico. Lea y obedezca siempre todos los mensajes de seguridad.



Este es el símbolo de advertencia de seguridad.

Este símbolo le llama la atención sobre peligros potenciales que pueden ocasionar la muerte o una lesión a usted y a los demás.

Todos los mensajes de seguridad irán a continuación del símbolo de advertencia de seguridad y de la palabra "PELIGRO" o "ADVERTENCIA". Estas palabras significan:

! PELIGRO

Si no sigue las instrucciones de inmediato, usted puede morir o sufrir una lesión grave.

! ADVERTENCIA

Si no sigue las instrucciones, usted puede morir o sufrir una lesión grave.

Todos los mensajes de seguridad le dirán el peligro potencial, le dirán cómo reducir las posibilidades de sufrir una lesión y lo que puede suceder si no se siguen las instrucciones.

INSTRUCCIONES IMPORTANTES DE SEGURIDAD

ADVERTENCIA: Para reducir el riesgo de incendio, choque eléctrico o lesiones personales al usar su acondicionador de aire, siga estas precauciones básicas:

- Conecte a un contacto de pared de conexión a tierra de 3 terminales.
- No quite el terminal de conexión a tierra.
- No use un adaptador.
- No use un cable eléctrico de extensión.
- Desconecte el acondicionador de aire antes de darle servicio.
- Use dos o más personas para mover e instalar el acondicionador de aire.

CONSERVE ESTAS INSTRUCCIONES

REQUISITOS DE INSTALACIÓN

Herramientas y piezas

Reúna las herramientas y piezas necesarias antes de comenzar la instalación. Lea y siga las instrucciones provistas con cualquiera de las herramientas enlistadas aquí.

Herramientas necesarias

- Destornilladores Phillips y de hoja plana
- Nivel
- Llave de tubo y tubos de $\frac{7}{16}$ " y $\frac{1}{4}$ "
- Lápiz
- Tijeras
- Cinta para medir
- Taladro y una broca de $\frac{3}{32}$ " o más pequeña
- Llave para tuercas de $\frac{1}{4}$ "
- Cuchillo para uso general

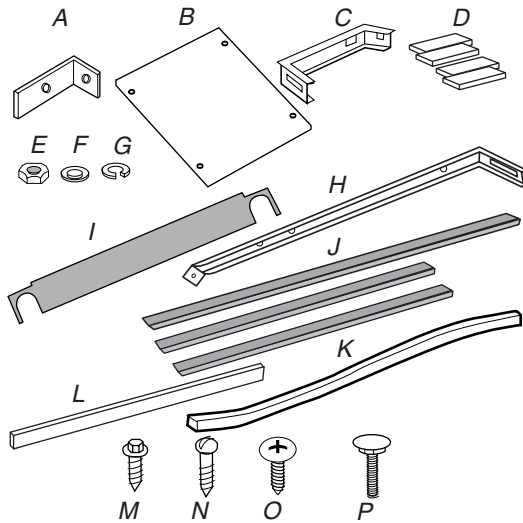
Instalación a través de la pared:

Además de las herramientas enlistadas arriba, se necesitan las siguientes herramientas para la instalación a través de la pared.

- Sierra
- Preservativo de madera
- Masilla
- Madera de 1" (2,5 cm) o más gruesa
- 7 tornillos para madera #10 x 1"

Piezas suministradas (en algunos modelos)

Verifique que estén todas las piezas en el paquete de piezas.



- | | |
|--|---|
| A. Soporte de seguridad de ventana | J. Obturadores de espuma para el acondicionador de aire (3) |
| B. Tabla de relleno | K. Obturador de espuma del marco de la ventana |
| C. Soportes verticales (2) | L. Obturador del riel de ventana |
| D. Bloques de espuma (4) | M. Tornillos hexagonales para metal #8 x 1/2" (4) |
| E. Tuercas (6) | N. Tornillos de cabeza redonda para madera #10 x 3/4" (3) |
| F. Arandelas planas (6) | O. Tornillos de cabeza redonda #8 de 18 x 3/8" (2) |
| G. Arandelas de presión (6) | P. Pernos de cabeza redonda 3/4" (6) |
| H. Soportes en ángulo (2) | |
| I. Tira de obturación de 2 1/2" (6,4 cm) | |

NOTA: Se incluyen piezas de instalación para ventanas de guillotina de hasta 40" (101,6 cm) de ancho. Un Juego para Ventana Ancha especial está disponible de su distribuidor o centro de servicio. Vea "Accesorios".

Requisitos de ubicación

IMPORTANTE: Observe todos los códigos y reglamentos aplicables.

Verifique el lugar donde se instalará el acondicionador de aire. La instalación correcta es su responsabilidad. Asegúrese de que usted tenga todo lo necesario para una instalación correcta.

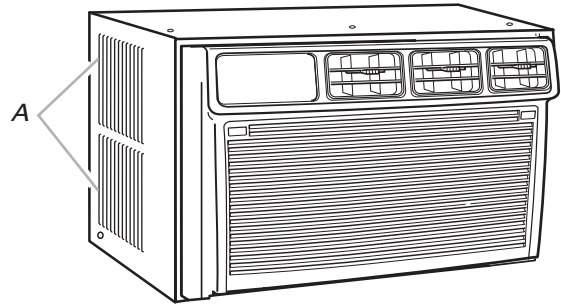
El lugar debe tener:

- Tomacorriente puesto a tierra a no más de 4 pies (122 cm) de donde el cable eléctrico sale del acondicionador de aire.

NOTA: No use un cable eléctrico de extensión.

- Libertad de movimiento del aire a la habitación que desea enfriar.
- Una abertura con la amplitud suficiente para el acondicionador de aire.
- Un soporte adecuado en la pared para el peso del acondicionador de aire. El acondicionador de aire pesa entre 145 y 200 libras (65 a 96 kg).

NOTAS: No deben obstruirse las rejillas del gabinete. El aire debe circular libremente a través de las rejillas del gabinete.

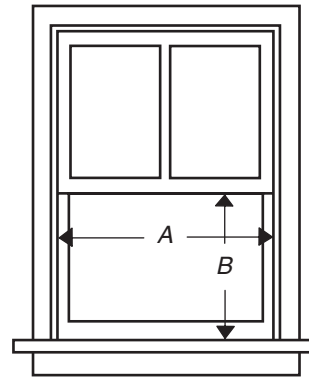


A. Rejillas del gabinete

Instalación en la ventana

Medidas de la abertura de la ventana:

- Ancho: 26 1/2" (66,1 cm) mínimo a 40" (101,6 cm) máximo
- Altura: 20" (50,8 cm) mínimo

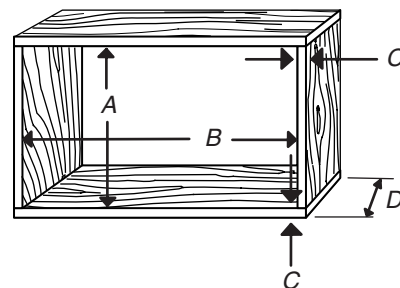


A. 26 1/2" (66,1 cm) mínimo
B. 20" (50,8 cm) mínimo

Instalación a través de la pared

Las medidas de la abertura en la pared deben ser:

- Ancho: 26 1/2" (66,1 cm) más el doble del espesor de la madera usada para construir el marco.
- Altura: 19 3/4" (50,2 cm) más el doble del espesor de la madera usada para construir el marco.
- Profundidad: 2 1/2" (6,4 cm) mínimo a 8" (20,3 cm) máximo.



A. 19 3/4" (50,2 cm)
B. 26 1/2" (66,1 cm)
C. Espesor de la madera
D. 2 1/2" (6,4 cm) mínimo a 8" (20,3 cm) máximo

Requisitos eléctricos

⚠️ ADVERTENCIA



Peligro de Choque Eléctrico

Conecte a un contacto de pared de conexión a tierra de 3 terminales.

No quite la terminal de conexión a tierra.

No use un adaptador.

No use un cable eléctrico de extensión.

No seguir estas instrucciones puede ocasionar la muerte, incendio o choque eléctrico.

El alambre de puesta a tierra debe ser conectado a un tornillo de tierra ubicado en la esquina inferior derecha del acondicionador de aire cuando el acondicionador de aire esté en el gabinete.

Las clasificaciones eléctricas para su acondicionador de aire están enumeradas en la etiqueta de número del modelo y de serie. La etiqueta de modelo y serie se encuentra detrás del panel delantero en la pestaña, debajo del panel de control.

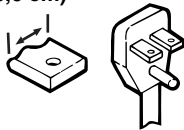
Los requisitos eléctricos específicos se indican en la tabla a continuación. Siga los requisitos para el tipo de enchufe en el cable de alimentación eléctrica.

El cable eléctrico Requisitos de cableado

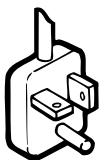


- 115 volts (103,5 mín. - 126,5 máx.)
- 0-12 amperes
- Fusible de retardo de 15 amperes o cortacircuitos
- Úselo solamente en un circuito con tomacorriente único.

1/4"
(0,6 cm)

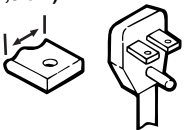


- 230 volts (207 mín. - 253 máx.)
- 0-12 amperes
- Fusible de retardo de 15 amperes o cortacircuitos
- Úselo solamente en un circuito con tomacorriente único.



- 230 volts (207 mín. - 253 máx.)
- 0-16 amperes
- Fusible de retardo de 20 amperes o cortacircuitos
- Úselo solamente en un circuito con tomacorriente único.

1/2"
(1,3 cm)



- 230 volts (207 mín. - 253 máx.)
- 0-24 amperes
- Fusible de retardo de 30 amperes o cortacircuitos
- Úselo solamente en un circuito con tomacorriente único.

Método recomendado para la puesta a tierra

Este acondicionador de aire debe ser puesto a tierra. Este acondicionador de aire está equipado con un cable de suministro de energía provisto de un enchufe con tres terminales. Para reducir a un mínimo el peligro de posibles choques eléctricos, el cable debe ser enchufado en un contacto apropiado de pared de tres terminales conectado a tierra de acuerdo con todos los códigos y reglamentos locales. Si no se dispone de un tomacorriente apropiado, es responsabilidad del cliente hacer instalar un contacto con tres terminales debidamente puesto a tierra por un instalador eléctrico calificado.

Es responsabilidad del cliente:

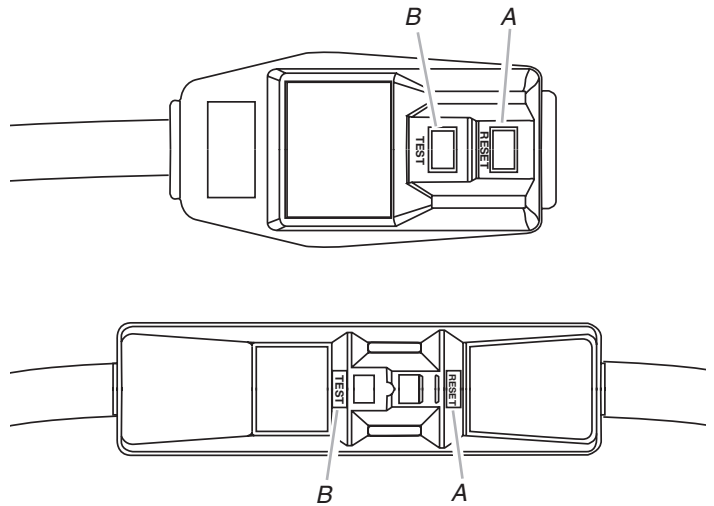
- Llamar a un instalador eléctrico calificado.
- Asegurarse de que la instalación eléctrica sea adecuada y esté hecha de acuerdo con el Código Nacional Eléctrico, ANSI/NFPA 70, última edición, y todos los códigos y reglamentos locales.

Pueden obtenerse copias de las normas señaladas en:

National Fire Protection Association
One Batterymarch Park
Quincy, MA 02269

Cable de suministro de energía

NOTA: Su aparato puede ser diferente del que se ilustra.



A. Botón de reposición
B. Botón de prueba

Este acondicionador de aire para habitación está equipado con un cable de suministro de energía según lo exige UL. Este cable de suministro de energía incluye circuitos electrónicos de última generación que detectan la corriente de fuga. Si se aplasta el cable, el elemento electrónico detecta la corriente de fuga y la energía se desconecta en una fracción de segundo.

⚠️ ADVERTENCIA



Peligro de Choque Eléctrico

Conecte a un contacto de pared de conexión a tierra de 3 terminales.

No quite la terminal de conexión a tierra.

No use un adaptador.

No use un cable eléctrico de extensión.

No seguir estas instrucciones puede ocasionar la muerte, incendio o choque eléctrico.

Para poner a prueba el cable de suministro de energía:

1. Enchufe el cable de suministro de energía en un tomacorriente de 3 terminales con conexión a tierra.
2. Presione RESET (Reposición).

3. Presione TEST (Prueba) (escuche el chasquido, el botón de reposición se atrapa y salta).
4. Presione y suelte RESET (escuche el chasquido, el botón de reposición queda asegurado y se mantiene asegurado). El cable de suministro de energía está listo para su funcionamiento.

NOTAS:

- El botón de reposición debe presionarse para el funcionamiento adecuado.
- El cable de suministro de energía debe ser reemplazado si no se dispara cuando se presione el botón de prueba o cuando falle la reposición.
- No use el cable de suministro de energía como un interruptor de encendido y apagado. El cable de suministro de energía ha sido diseñado como un dispositivo protector.
- Un cable de suministro de energía dañado debe ser reemplazado por un nuevo cable de suministro de energía obtenido del fabricante del producto y no debe ser reparado.
- El cable de suministro de energía no contiene piezas que pueda arreglar el usuario. Todos los reclamos de desempeño y la garantía quedarán anulados si se abre el estuche resistente a alteraciones.

INSTRUCCIONES DE INSTALACIÓN

Desempaque

⚠️ ADVERTENCIA

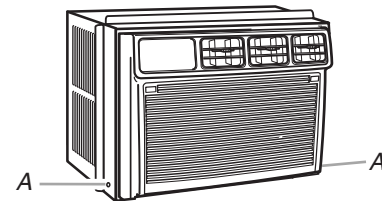
Peligro de Peso Excesivo

Use dos o más personas para mover e instalar el acondicionador de aire.

No seguir esta instrucción puede ocasionar una lesión en la espalda u otro tipo de lesiones.

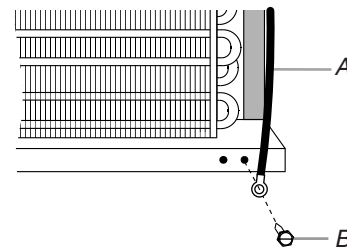
Quite los materiales de empaque

- Quite y deshágase debidamente de todos los materiales de embalaje. Quite las cintas y los residuos goma de la superficie antes de encender el acondicionador de aire. Frote un poco de detergente líquido para vajillas sobre el adhesivo con los dedos. Limpie con agua tibia y seque.
 - No use instrumentos filosos, alcohol para fricciones, líquidos inflamables o productos de limpieza abrasivos para eliminar los restos de cinta o goma. Estos productos pueden dañar la superficie de su acondicionador de aire.
 - Trate el acondicionador de aire con cuidado.
1. Saque el acondicionador de aire de la caja y colóquelo sobre el cartón.
 2. Quite los tornillos de embalaje de la pared lateral del gabinete.



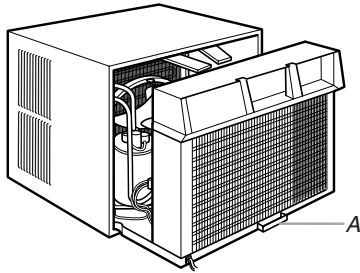
A. Tornillos de embalaje

3. Quite el panel delantero del acondicionador de aire y apártelo.
4. Quite el tornillo de puesta a tierra y el alambre de conexión a tierra del frente de la base del acondicionador de aire. Guarde el tornillo de puesta a tierra.



A. Alambre verde de conexión a tierra
B. Tornillo de puesta a tierra

- Tire de la manija para deslizar el acondicionador de aire fuera del gabinete. Coloque el acondicionador de aire sobre el cartón.

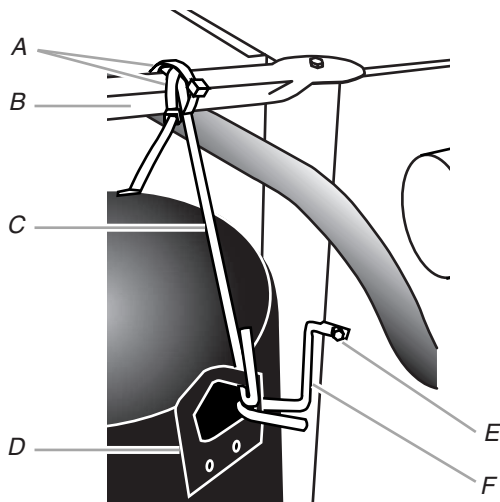


A. Manija

NOTA: No levante, empuje, jale ni remueva ningún poliestireno expandido (espuma) del interior del acondicionador de aire. No es un material de empaque.

Remoción del soporte de transporte (en algunos modelos)

- Para quitar el soporte superior de transporte del soporte de apoyo de la unidad, corte las 2 ataduras de alambre con tijeras.
- Levante un extremo del soporte superior de transporte hacia fuera del soporte de apoyo de la unidad y quite el otro extremo del reborde del compresor.



A. Ataduras de alambre (2) D. Reborde del compresor
B. Soporte de apoyo de la unidad E. Quite este tornillo
C. Soporte superior de transporte F. Soporte inferior de transporte

- Con una llave de tuercas o llave de cubo de 1/4" quite el tornillo del extremo del soporte inferior de transporte que está sujeto a la pared divisoria.
- Quite el otro extremo del soporte inferior de transporte del reborde del compresor.

NOTAS:

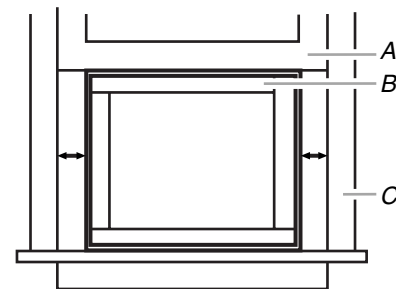
- Si el reborde del compresor interfiere cuando deslice el acondicionador de aire nuevamente dentro del gabinete, doble el reborde nuevamente contra el compresor.
- Vuelva a instalar los soportes de transporte solamente si la unidad va a moverse de su ubicación actual.

Instalación del gabinete en una ventana

- Trate el acondicionador de aire con cuidado.
- Asegúrese de que el gabinete del acondicionador de aire no se caiga de la abertura durante la instalación o al quitarlo.
- La parte de donde sale el cable eléctrico del acondicionador de aire debe colocarse a no más de 4 pies (122 cm) de un tomacorriente puesto a tierra de 3 terminales.
- No bloquee las rejillas que están en el panel delantero.
- No bloquee las rejillas que están en el exterior del acondicionador de aire.

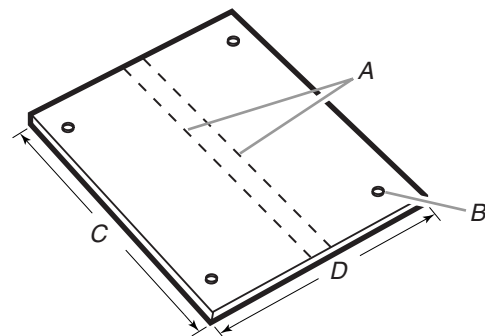
Instalación del tablero de llenado

- Centre el gabinete vacío en la ventana. Sostenga con firmeza el gabinete del acondicionador de aire. Baje el marco de la ventana para mantener el gabinete en su lugar.
- Mida la distancia del lado derecho del gabinete a la parte interior del canal de la ventana.
- Repita el procedimiento para el lado izquierdo.
- Ajuste el gabinete hasta que la distancia a cada lado sea igual. Luego agregue 1/8" (3,2 mm) a la medida final para usarse en el próximo paso.



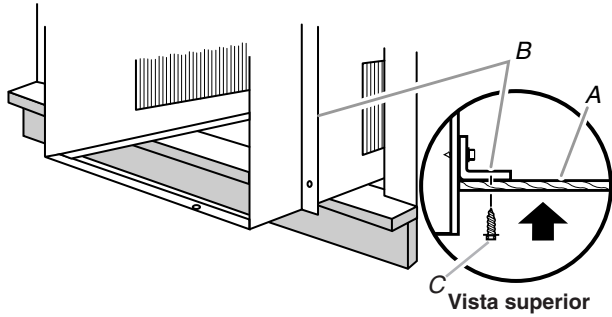
A. Marco de la ventana
B. Gabinete vacío
C. Canal de la ventana

- Utilice las medidas finales para medir hacia adentro desde cada extremo de la tabla de relleno. Marque las líneas de manera que los bordes exteriores de la tabla de relleno contengan los orificios de los tornillos.
- Coloque un cartón u otro material protector sobre una superficie resistente plana. Coloque la tabla de relleno sobre el material protector para evitar que se corte la superficie de abajo.
- Coloque una regla o un tablón a lo largo de las líneas previamente trazadas y use un cuchillo de uso general para cortar las tablas de relleno según el tamaño de las líneas. Haga el corte de manera que los bordes exteriores de las tablas de relleno tengan orificios para tornillos.



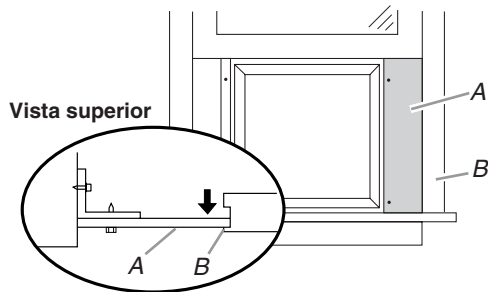
A. Líneas C. Lado largo
B. Orificio para tornillo D. Lado corto

8. Jale parte del gabinete fuera de la ventana. Fije la tabla de relleno derecha al frente de un ángulo de montaje lateral con dos tornillos hexagonales de 1/2".



A. Tabla de relleno
B. Ángulo de montaje lateral
C. Tornillo hexagonal de 1/2"

9. Vuelva a colocar el gabinete en la ventana con la tabla de relleno derecha bien ajustada contra el canal de la ventana. Inserte la tabla de relleno izquierda en el canal de la ventana.



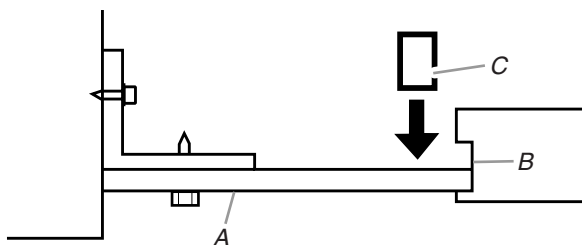
A. Tabla de relleno derecha
B. Canal de la ventana

10. Empuje la tabla de relleno izquierda contra el ángulo de montaje lateral y fíjela con dos tornillos hexagonales de 1/2". Desde el exterior, empuje las tablas de relleno todo lo que pueda hacia adelante en los canales de la ventana.

Instalación del bloque de espuma

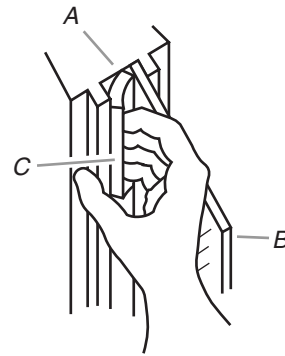
1. Mida la distancia entre el borde del canal y la tabla de relleno.
2. Corte los bloques de espuma 1/4" (6,4 mm) más anchos e insértelos en el canal detrás de las tablas de relleno.

Vista superior



A. Tabla de relleno
B. Canal de la ventana
C. Bloque de espuma

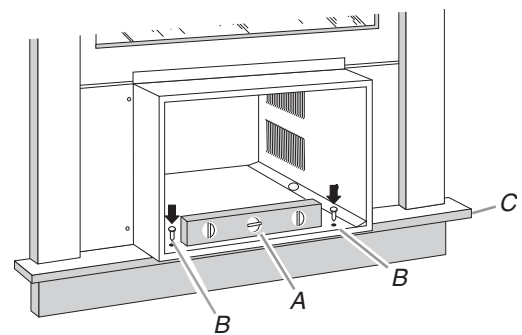
Vista exterior



A. Canal de la ventana
B. Tabla de relleno
C. Bloque de espuma

Nivele el gabinete

1. Utilice un nivel para verificar que el gabinete esté nivelado de lado a lado.
2. Utilice una broca de barrena de 3/32" para perforar dos primeros orificios a través de los 2 orificios en el gabinete y en el umbral de la ventana.
3. Use 2 tornillos para madera #10 - 12 x 3/4" para fijar el gabinete a la ventana.

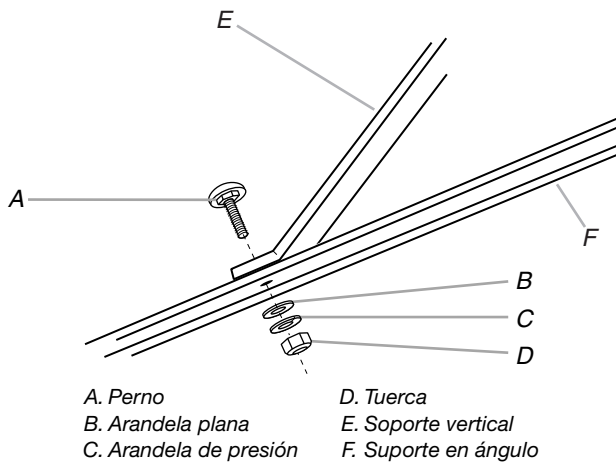


A. Nivel
B. Tornillo para madera
C. Umbral de la ventana

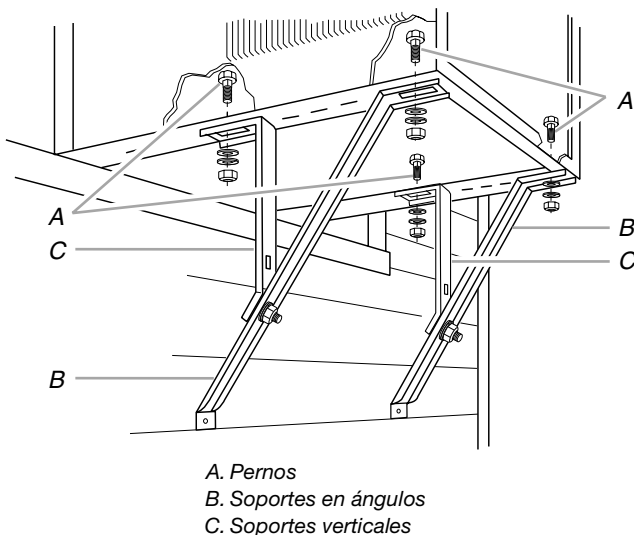
4. Verifique que el gabinete del acondicionador de aire esté inclinado hacia afuera para que el agua corra hacia el exterior.

Asegure el gabinete a la ventana

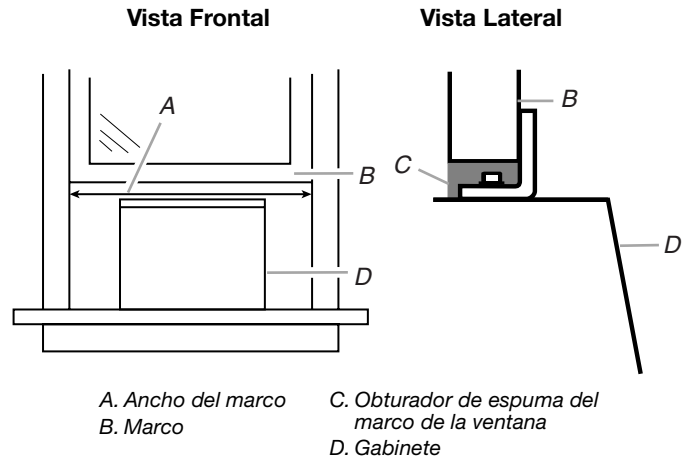
1. Fije el soporte vertical al soporte en ángulo. No apriete demasiado la tuerca. Repita.



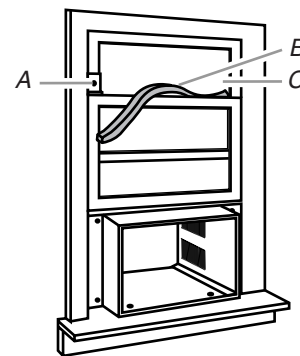
2. Fije el conjunto de los soportes a la parte inferior del gabinete. Fije los soportes verticales primero. No apriete las tuercas todavía.
 3. Fije los soportes en ángulo al gabinete. No apriete las tuercas todavía. Deslice cada conjunto de soporte hacia la casa hasta que queden firmemente contra la pared.
- NOTA:** Si su casa está construida de material que pueda dañarse por los soportes en ángulos en la pared, coloque una tabla entre los soportes en ángulos y la casa.
4. Verifique que el gabinete siga inclinado hacia afuera para que el agua corra al exterior.
 5. Apriete bien las tuercas (no apriete en exceso) con un casquillo y llave de casquillo de $\frac{7}{16}$ ". Apriete las nueces del soporte en ángulo por último para que el soporte en ángulo quede bien fijado contra la casa.



6. Mida el ancho interno del marco de la ventana.
7. Corte el obturador de espuma para la vidriera de la ventana para que encajen los extremos cuadrados.
8. Sostenga el gabinete para evitar que se caiga. Suba el marco de la ventana. Alinee el obturador de espuma con el borde frontal de la vidriera de la ventana y fije el obturador con el lado adhesivo contra la parte inferior del marco. Baje la vidriera de la ventana.



9. Inserte el obturador del riel de la ventana detrás de la parte superior del marco de la ventana inferior y contra el cristal de la ventana superior.
10. Coloque el soporte de seguridad de la ventana en la parte superior de la ventana inferior y contra el marco de la ventana superior.
11. Utilice una broca de barrena de $\frac{3}{32}$ " para perforar un primer orificio a través del orificio en el soporte en la ventana inferior.
12. Fije el soporte de seguridad de la ventana con un tornillo para madera #10 - 12 x $\frac{3}{4}$ " para asegurar la ventana en su lugar.

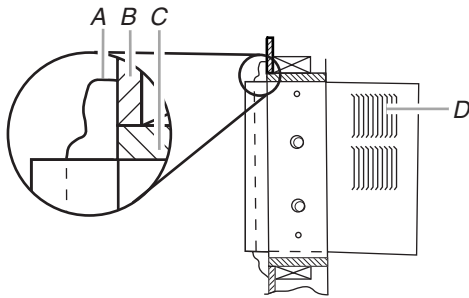


Instalación del gabinete a través de la pared

- Trate el acondicionador de aire con cuidado.
- Asegúrese de que el gabinete del acondicionador de aire no se caiga de la abertura durante la instalación o al quitarlo.
- La parte de donde sale el cable eléctrico del acondicionador de aire debe colocarse a no más de 4 pies (122 cm) de un tomacorriente puesto a tierra de 3 terminales.
- Es responsabilidad y obligación del cliente hacer que este producto sea instalado por un técnico calificado familiarizado con instalaciones a través de la pared de acondicionadores de aire de habitaciones.
- No bloquee las rejillas que están en el panel delantero.
- No bloquee las rejillas que están en el exterior del acondicionador de aire.

Opción 1—Adorno de madera, metal o plástico

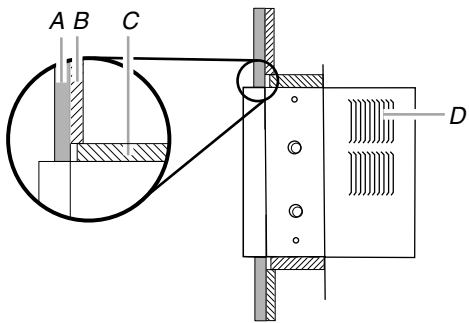
Cuando utilice una moldura de madera, metal o plástico, el marco de madera debe estar alineado con la pared interior como se muestra.



A. Moldura
B. Pared interior
C. Marco de madera
D. Rejillas

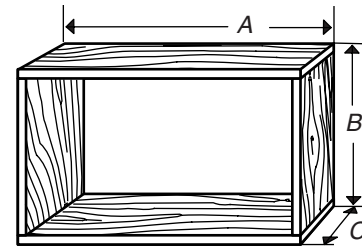
Opción 2—Pared de yeso sin adorno

Si la pared enyesada va a nivelarse con el gabinete y no se utiliza ninguna moldura, el marco de madera debe colocarse $\frac{1}{2}$ " (13 mm) dentro de la pared interior.



A. Pared enyesada
B. Pared interior
C. Marco de madera
D. Rejillas

- Utilice madera de 1" (2,5 cm) o más gruesa para el marco de madera.

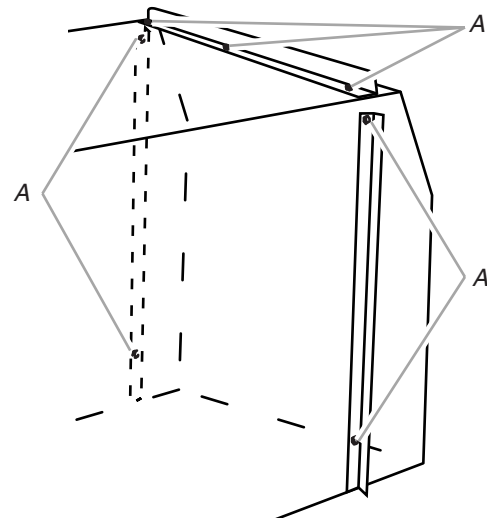


A. Ancho exterior
B. Altura exterior
C. Profundidad

4. Aplique un preservativo de madera a la superficie exterior expuesta.
5. Inserte el marco en la abertura en la pared. Cuadre y nivele el marco.
6. Sujete con firmeza el marco a la pared.

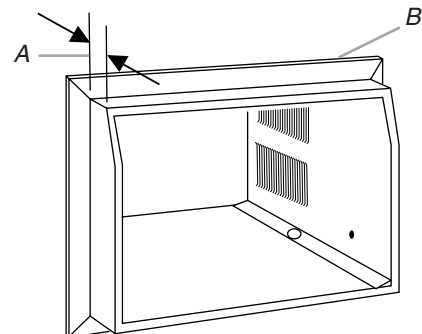
Instale el gabinete dentro del marco de madera

1. Quite el canal superior y ambos canales laterales usando una llave para tuercas de $\frac{1}{4}$ " o una llave de cubo. Deseche el canal superior y ambos canales laterales.



A. Quite estos tornillos

2. Inserte el gabinete en la abertura de la pared con el marco. La parte superior del gabinete debe extenderse $\frac{3}{4}$ " (19,1 mm) dentro de la habitación. Si hay un resguardo, el gabinete debe extenderse $\frac{3}{4}$ " (19,1 mm) más allá del resguardo.



A. $\frac{3}{4}$ " (19,1 mm) dentro de la habitación
B. Resguardo

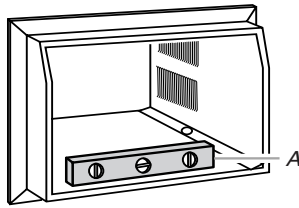
Instalación del marco de madera

1. Construya el marco de madera. Vea "Requisitos de ubicación" para las dimensiones.
2. Mida el ancho y la altura exteriores del marco para determinar las dimensiones de la abertura de la pared.
3. Corte una abertura a través de la pared. Quite y guarde el aislamiento.

NOTAS:

- Las dimensiones de la profundidad dependen del espesor de la pared y del tipo de moldura.
- No bloquee las rejillas que están en el gabinete del acondicionador de aire.

- Use un nivel para verificar que el gabinete esté nivelado de lado a lado.



A. Nivel

- Verifique que el gabinete del acondicionador de aire esté inclinado hacia afuera para que el agua corra hacia afuera.
- Vuelva a utilizar el aislamiento para sellar la abertura entre el gabinete y el marco.
- Utilice los orificios en los lados y la parte superior del gabinete y 7 tornillos de madera de #10 x 1" (no provistos) para fijar el gabinete al marco.

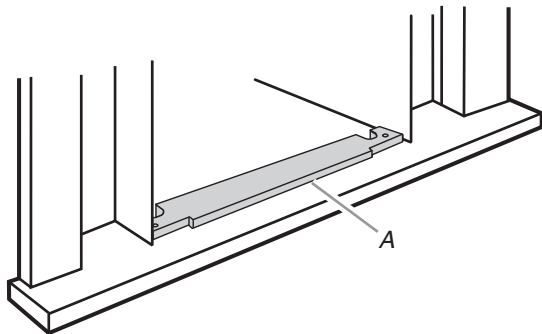
NOTA: No apriete demasiado los tornillos para que el gabinete no se deforme perjudicando la obturación del aire entre el gabinete y el acondicionador de aire.

- Calafatee todas las aberturas exteriores de la ventana alrededor del gabinete.

Para completar la instalación

- Pele el papel del reverso adhesivo de la tira de obturación de 2½" (6,4 cm). Coloque la tira de obturación de 2½" (6,4 cm) dentro del gabinete. Alinee el obturador con el borde delantero del gabinete.

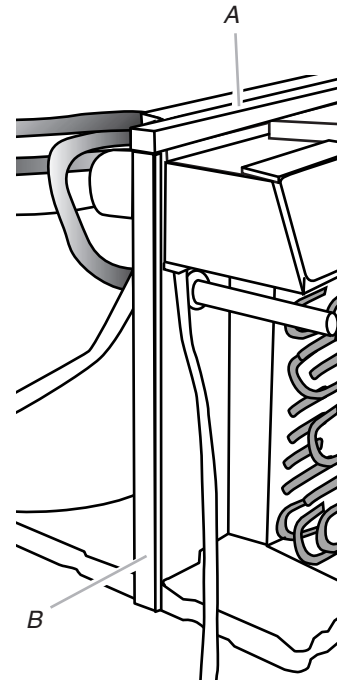
NOTA: Esta tira de obturación se inserta entre la base del acondicionador de aire y el gabinete.



A. Tira de obturación de 2 ½"

NOTA: Trate el acondicionador de aire con cuidado.

- Pele el papel del reverso adhesivo de uno de los 2 obturadores cortos del acondicionador de aire. Alinee el obturador izquierdo del acondicionador de aire contra la pestaña de metal que está detrás de la caja de control. Fije el obturador superior largo del acondicionador de aire sobre la hendidura en la parte superior del acondicionador de aire y el obturador del lado derecho del acondicionador de aire para que se alineen con el obturador izquierdo.



A. Obturador superior largo del acondicionador de aire

B. Obturador lateral izquierdo corto del acondicionador de aire

- Asegúrese de que el extremo libre del alambre a tierra esté fuera del gabinete.

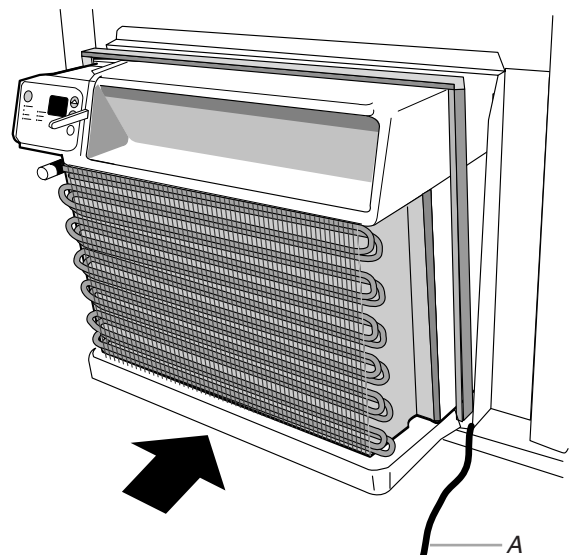
⚠ ADVERTENCIA

Peligro de Peso Excesivo

Use dos o más personas para mover e instalar el acondicionador de aire.

No seguir esta instrucción puede ocasionar una lesión en la espalda u otro tipo de lesiones.

- Inserte el acondicionador de aire en el gabinete.



A. Asegúrese de que el extremo libre del alambre a tierra esté fuera del gabinete.

⚠ ADVERTENCIA

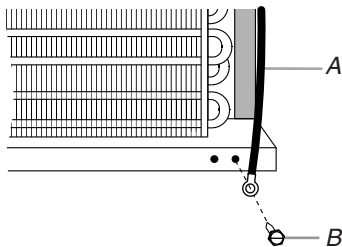


Peligro de Choque Eléctrico

Conecte el alambre verde de conexión a tierra al tornillo de conexión a tierra.

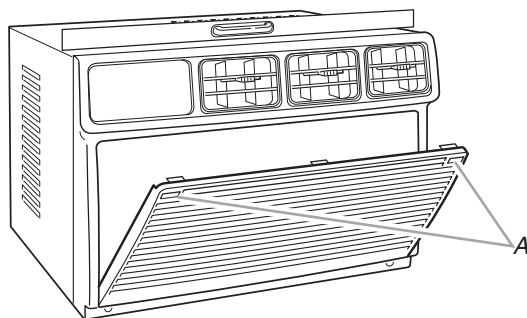
No seguir esta instrucción puede ocasionar la muerte o choque eléctrico.

5. Conecte el cable verde de puesta a tierra a la base del gabinete con el tornillo de puesta a tierra.
Coloque el alambre de puesta a tierra derecho hacia arriba. Ponga lo que sobra del alambre de puesta a tierra entre el serpentín y el gabinete del acondicionador de aire.



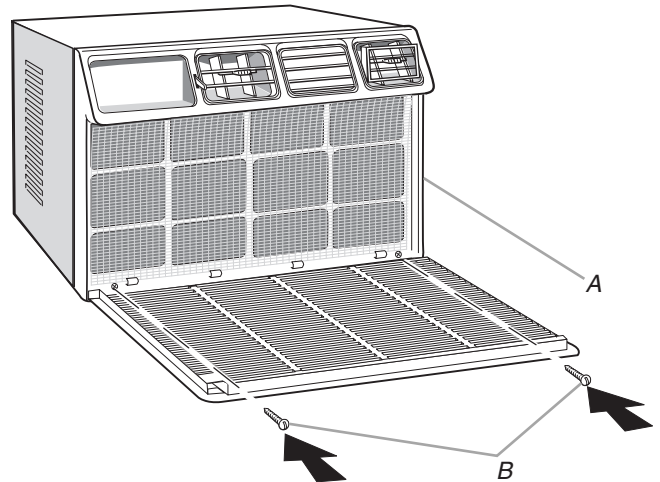
A. Alambre verde de conexión a tierra
B. Tornillo de puesta a tierra

6. Empuje en forma recta el panel delantero y luego bájelo ligeramente para trabarlo en su lugar.
7. Usando las muescas que están en la parte superior de la puerta del filtro, jale la puerta hacia abajo.



A. Muecas

8. Ajuste la parte inferior delantera del panel usando 2 tornillos de cabeza redonda #8 - 18 x 3/8".



A. Frente de la unidad
B. 2 tornillos de cabeza redonda #8 - 18 x 3/8"

NOTA: Para instalación a través de la pared, si fuera necesario, instale el adorno alrededor del lado del gabinete que da a la habitación.

⚠ ADVERTENCIA



Peligro de Choque Eléctrico

Conecte a un contacto de pared de conexión a tierra de 3 terminales.

No quite la terminal de conexión a tierra.

No use un adaptador.

No use un cable eléctrico de extensión.

No seguir estas instrucciones puede ocasionar la muerte, incendio o choque eléctrico.

9. Conecte a un contacto de pared de conexión a tierra de 3 terminales.
10. Presione RESET (Reposición) sobre el enchufe del cable de suministro de energía.

USO DE SU ACONDICIONADOR DE AIRE

Operar debidamente su acondicionador de aire le permite obtener los mejores resultados posibles.

Esta sección le explica cómo operar su acondicionador de aire debidamente.

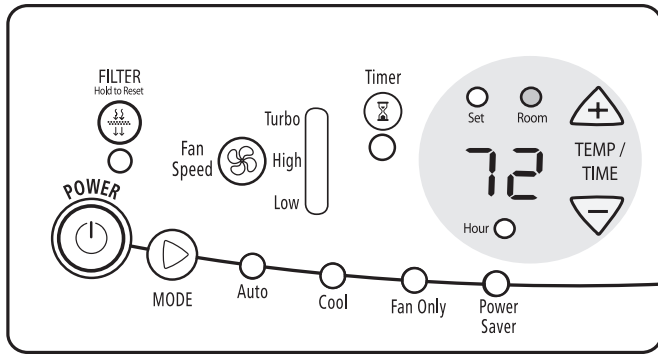
IMPORTANTE:

- Si usted apaga el acondicionador de aire, espere por lo menos 3 minutos antes de volver a ponerlo en marcha. Esto evitará que se queme un fusible del hogar o se dispare un disyuntor de circuito a causa del acondicionador de aire.

- No trate de operar su acondicionador de aire en el modo de enfriamiento cuando la temperatura exterior sea menor de 65°F (18°C). El serpentín interior del evaporador se congelará y el acondicionador de aire no funcionará debidamente.

NOTA: En caso de corte de electricidad, el acondicionador de aire funcionará con los ajustes previos cuando se reanude la electricidad.

Cómo poner en marcha su acondicionador de aire — Control digital



NOTAS:

- Cuando esté apagado el acondicionador de aire, la luz indicadora Room (habitación) se enciende y la pantalla muestra la temperatura actual de la habitación.
 - Si la temperatura de la habitación es menor de 55°F (13°C), la pantalla mostrará 55°F (13°C). Si la temperatura de la habitación es mayor de 99°F (37°C), la pantalla mostrará 99°F (37°C).
 - Cuando se encienda la luz indicadora Set (fijo), la pantalla mostrará el ajuste de control de la temperatura. Vea “Temperatura”.
 - Cuando se encienda la luz indicadora Hour (hora), la pantalla mostrará el tiempo restante en el ajuste de Timer (temporizador). Vea “Retardo del temporizador”.
1. Quite la película protectora transparente del panel de control y de la placa del panel delantero (en algunos modelos).
 2. Oprima POWER (Encendido) para encender el acondicionador de aire.



NOTA: Cuando se enciende el acondicionador de aire por primera vez después de haberlo enchufado, mostrará en la pantalla los ajustes programados: Modo Cool (Enfriamiento), velocidad de ventilación Turbo, 72°F (22°C) por 3 segundos. Cuando se encienda todas las otras veces, mostrará los ajustes previos por 3 segundos y luego la temperatura de la habitación.

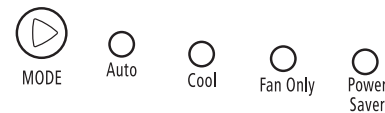
3. Seleccione el modo. Vea “Mode (Modo)”.
4. Seleccione la velocidad de ventilación. Vea “Fan Speed (Velocidad de ventilación)”.
5. Seleccione la temperatura. Vea “Temperatura”.

Mode (Modo)

1. Oprima MODE (Modo) hasta que se encienda la luz indicadora para la posición que usted desea.
2. Seleccione Auto (Automático), Cool (Enfriamiento), Fan Only (Sólo ventilación) o Power Saver (Ahorro de energía).
 - Auto (Automático) — Enfría la sala mientras automáticamente controla la velocidad de ventilación. Usted no puede cambiar la velocidad de ventilación, pero puede ajustar la temperatura oprimiendo el botón de más o menos.

- Cool (Enfriamiento) — Enfría la sala. Podrá ajustar la temperatura oprimiendo el botón de más o menos. Usted puede seleccionar la velocidad de ventilación oprimiendo FAN SPEED (Velocidad de ventilación).
- Fan Only (Sólo ventilación) — Sólo funciona el ventilador. Puede seleccionar la velocidad del ventilador presionando FAN SPEED (velocidad de ventilación), pero no puede ajustar el control de Temperature (Temperatura). La pantalla muestra la temperatura actual de la habitación.
- Power Saver (Ahorro de energía) — El ventilador funciona únicamente cuando se necesita enfriamiento. Usted puede seleccionar la velocidad de ventilación oprimiendo FAN SPEED (Velocidad de ventilación).

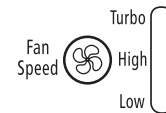
Ya que el ventilador no hace circular continuamente el aire de la habitación, se consume menos energía, pero el aire de la habitación circula con menos frecuencia. Utilice el modo de Power Saver cuando esté fuera del hogar o durmiendo.



Fan Speed (Velocidad de ventilación)

NOTA: El botón Fan Speed (Velocidad de ventilación) funcionará únicamente cuando se ha seleccionado el modo de Cool (Enfriamiento), Fan Only (Sólo ventilación) o Power Saver (Ahorro de energía).

1. Oprima FAN SPEED hasta que se encienda la luz indicadora para la posición que usted desea.
2. Seleccione Turbo, High (Alta) o Low (Baja).



Monitor del filtro

1. Cuando la luz indicadora Filter (filtro) se encienda o destelle, saque, limpie y reemplace el filtro. Vea “Limpieza del filtro de aire”.
2. Presione y sostenga FILTER (filtro) por 3 segundos después de limpiar y reemplazar el filtro de aire. Esto vuelve a fijar el monitor del filtro.

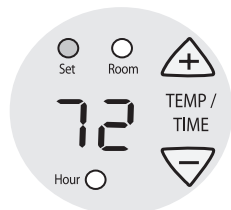


NOTA: Después de que el ventilador funcione por 360 horas, la luz indicadora del filtro se encenderá. Permanecerá encendida por 180 horas o hasta que usted presione FILTER (filtro). Después de 180 horas, destellará. Continuará destellando hasta que usted presione FILTER (filtro).

Temperatura

- Presione el botón de más para aumentar la temperatura. La luz indicadora Room (habitación) se apagará y se encenderá la luz indicadora Set (fijo). La pantalla muestra el ajuste de control Temperature (temperatura). Cada vez que usted presione o sostenga el botón de más, la temperatura aumentará de a 1° hasta llegar a 86°F (30°C).

NOTA: Después de 3 segundos, la luz indicadora Set (fijo) se apagará y se encenderá la luz indicadora Room (habitación). La pantalla mostrará la temperatura actual de la habitación.



- Presione el botón de menos para disminuir la temperatura. La luz indicadora Room (habitación) se apagará y se encenderá la luz indicadora Set (fijo). La pantalla muestra el ajuste de control Temperature (temperatura). Cada vez que presione o sostenga el botón de menos, la temperatura disminuirá de a 1° hasta llegar a 64°F (18°C).

NOTA: Después de 3 segundos, la luz indicadora Set se apagará y se encenderá la luz indicadora Room. La pantalla mostrará la temperatura actual de la habitación.

Para cambiar la pantalla de la temperatura de °F a °C:

1. Apague el acondicionador de aire.
2. Mientras el acondicionador de aire está apagado, presione y sostenga los botones de MODE (Modo) y FAN SPEED (Velocidad de ventilación) a la vez que presiona POWER (Encendido) para encender el acondicionador de aire.

NOTA: Siga estos mismos pasos para cambiar la pantalla de la temperatura de °C a °F.

Retardo del temporizador

Para programar el temporizador para un retardo de 1 a 24 horas hasta que el acondicionador de aire se apague (el acondicionador de aire tiene que estar Encendido):

1. Oprima TIMER (Temporizador). La luz indicadora Temporizador destellará. La luz indicadora Hour (hora) se encenderá y la pantalla mostrará las horas restantes antes de que se apague el acondicionador de aire.



2. Oprima el botón de más o de menos para cambiar el tiempo de retardo (de 1 a 24 horas).
3. Oprima TIMER nuevamente o espere 10 segundos. La luz indicadora Temporizador permanecerá encendida. La luz indicadora Hour se apagará y se encenderá la luz indicadora Room. La pantalla mostrará la temperatura actual de la habitación.

Para programar el temporizador de manera que el acondicionador de aire se encienda manteniendo los ajustes previos:

1. Apague el acondicionador de aire.
2. Oprima TIMER. La luz indicadora Temporizador destellará. La luz indicadora Hour (hora) se encenderá y la pantalla mostrará las horas restantes antes de que se encienda el acondicionador de aire.
3. Oprima el botón de más o menos para cambiar el tiempo de retardo (de 1 a 24 horas).
4. Oprima TIMER nuevamente o espere 10 segundos. La luz indicadora Temporizador permanecerá encendida. La luz indicadora Hour se apagará y se encenderá la luz indicadora Room. La pantalla mostrará la temperatura actual de la habitación.

Para programar el temporizador de manera que el acondicionador de aire se encienda cambiando los ajustes previos:

1. Encienda el acondicionador de aire.
2. Ajuste el Modo a Auto, Cool, Fan Only o Power Saver.
NOTA: Para el modo Auto (automático), vaya al paso 4.
3. Para el modo Cool (enfriamiento), Fan Only (Sólo ventilación) o Power Saver (ahorro de energía), ajuste FAN SPEED (velocidad de ventilación) a Turbo, High (alta) o Low (baja).
4. Ajuste la temperatura entre 64°F (18°C) y 86°F (30°C).
5. Espere 3 segundos antes de apagar el acondicionador de aire.
6. Oprima TIMER. La luz indicadora Temporizador destellará. La luz indicadora Hour (hora) se encenderá y la pantalla mostrará las horas restantes antes de que se encienda el acondicionador de aire.
7. Oprima el botón de más o menos para cambiar el tiempo de retardo (de 1 a 24 horas).
8. Oprima TIMER nuevamente o espere 10 segundos. La luz indicadora Temporizador permanecerá encendida. La luz indicadora Hour se apagará y se encenderá la luz indicadora Room. La pantalla mostrará la temperatura actual de la habitación.

Para borrar la programación del tiempo de retardo del temporizador:

NOTA: El acondicionador de aire puede estar encendido o apagado.

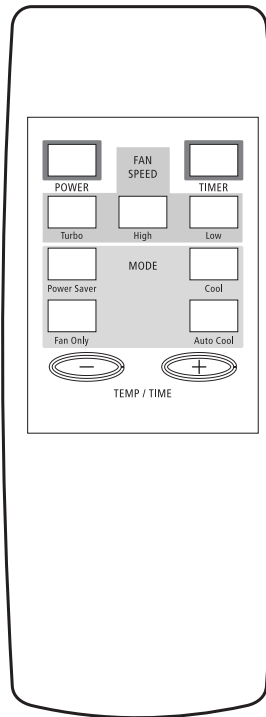
Presione y sostenga TIMER por 3 segundos. La luz indicadora Temporizador se apagará.

Para ver o cambiar el tiempo restante (en horas):

1. Oprima TIMER una vez después de que haya sido programado. La luz indicadora Hour (hora) se encenderá y la pantalla mostrará el tiempo restante.
2. Mientras la pantalla muestra el tiempo restante, usted puede oprimir el botón de más o menos para aumentar o disminuir el tiempo.
3. Después de 10 segundos, la luz indicadora Hour se apagará y se encenderá la luz indicadora Room. La pantalla mostrará la temperatura actual de la habitación.

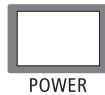
Para poner en marcha el acondicionador de aire con el control remoto

NOTA: La apariencia del control remoto puede variar.



NOTA: El control remoto se alimenta con dos pilas AA (no incluidas). Cambie las pilas después de 6 meses de uso o cuando el control remoto comienza a perder fuerza.

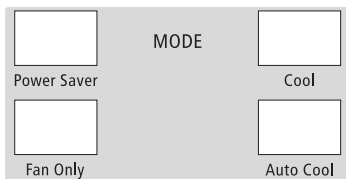
Para encender o apagar el acondicionador de aire:
Presione POWER (Energía).



Para seleccionar el modo:

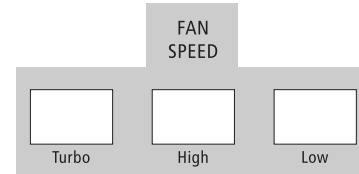
Oprima AUTO COOL (Enfriamiento automático), COOL (Enfriamiento), FAN ONLY (Sólo ventilación) o POWER SAVER (Ahorro de energía).

- Auto Cool (Enfriamiento automático) — la velocidad de ventilación se ajusta automáticamente.
- Cool (Enfriamiento), Fan Only (Sólo ventilación) o Power Saver (Ahorro de energía) — usted puede ajustar la velocidad de ventilación.



Para seleccionar la velocidad de ventilación (solamente en el modo de Cool, Fan Only o Power Saver):

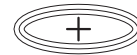
Oprima TURBO, HIGH (Alta) or LOW (Baja).



Para subir la temperatura:

Presione el botón de más. La luz indicadora Room (habitación) en el acondicionador de aire se apagará y se encenderá la luz indicadora Set (fijo) en el acondicionador de aire. La pantalla en el acondicionador de aire muestra el ajuste de control Temperature (temperatura). Cada vez que usted oprime o sostiene el botón de más, la temperatura aumentará de a 1° hasta alcanzar los 86°F (30°C).

NOTA: Después de 3 segundos, la luz indicadora Set en el acondicionador de aire se apagará y se encenderá la luz indicadora Room. La pantalla en el acondicionador de aire mostrará la temperatura actual de la habitación.



Para bajar la temperatura:

Presione el botón de menos. La luz indicadora Room (habitación) en el acondicionador de aire se apagará y se encenderá la luz indicadora Set (fijo) en el acondicionador de aire. La pantalla en el acondicionador de aire muestra el ajuste de control Temperature (temperatura). Cada vez que usted oprime o sostiene el botón de menos, la temperatura baja de a 1° hasta alcanzar los 64°F (18°C).

NOTA: Después de 3 segundos, la luz indicadora Set en el acondicionador de aire se apagará y se encenderá la luz indicadora Room. La pantalla en el acondicionador de aire mostrará la temperatura actual de la habitación.



Para programar el temporizador para un retardo de 1 a 24 horas hasta que el acondicionador de aire se apague (el acondicionador de aire tiene que estar Encendido):

1. Oprima TIMER (Temporizador). La luz indicadora Temporizador en el acondicionador de aire destellará. La luz indicadora Hour (hora) en el acondicionador se encenderá y la pantalla en el acondicionador mostrará las horas restantes antes de que se apague el acondicionador de aire.



2. Oprima el botón de más o menos para cambiar el tiempo de retardo (de 1 a 24 horas).
3. Oprima TIMER nuevamente o espere 10 segundos. La luz indicadora Temporizador en el acondicionador de aire permanecerá encendida. La luz indicadora Hour en el acondicionador de aire se apagará y se encenderá la luz indicadora Room. La pantalla en el acondicionador de aire mostrará la temperatura actual de la habitación.

Para programar el temporizador de manera que el acondicionador de aire se encienda manteniendo los ajustes previos:

1. Apague el acondicionador de aire.
2. Oprima TIMER. La luz indicadora Temporizador en el acondicionador de aire destellará. La luz indicadora Hour (hora) en el acondicionador se encenderá y la pantalla en el acondicionador mostrará las horas restantes antes de que se apague el acondicionador de aire.
3. Presione el botón de más o menos para cambiar el tiempo de retardo (de 1 a 24 horas).
4. Oprima TIMER nuevamente o espere 10 segundos. La luz indicadora Temporizador en el acondicionador de aire permanecerá encendida. La luz indicadora Hour en el acondicionador de aire se apagará y se encenderá la luz indicadora Room. La pantalla en el acondicionador de aire mostrará la temperatura actual de la habitación.

Para programar el temporizador de manera que el acondicionador de aire se encienda cambiando los ajustes previos:

1. Encienda el acondicionador de aire.
2. Ajuste el Modo a Auto Cool, Cool, Fan Only o Power Saver.
NOTA: Para el modo Auto (automático), vaya al paso 4.
3. Para el modo Cool (fresco), Fan Only (Sólo ventilación) o Power Saver (ahorro de energía), ajuste Fan Speed (velocidad de ventilación) a Turbo, High (alta) o Low (baja).
4. Ajuste la temperatura entre 64°F (18°C) y 86°F (30°C).
5. Espere 3 segundos antes de apagar el acondicionador de aire.
6. Oprima TIMER. La luz indicadora Temporizador en el acondicionador de aire destellará. La luz indicadora Hour (hora) en el acondicionador de aire se encenderá y la pantalla en el acondicionador de aire mostrará las horas restantes antes de que se encienda el acondicionador de aire.
7. Oprima el botón de más o menos para cambiar el tiempo de retardo (de 1 a 24 horas).
8. Oprima TIMER nuevamente o espere 10 segundos. La luz indicadora Temporizador en el acondicionador de aire permanecerá encendida. La luz indicadora Hour en el acondicionador de aire se apagará y se encenderá la luz indicadora Room. La pantalla en el acondicionador de aire mostrará la temperatura actual de la habitación.

Cómo poner en marcha su acondicionador de aire — Controles rotativos

1. Quite la película protectora transparente de la placa del panel delantero (en algunos modelos).
2. Fije el control de ventilación. Vea “Control del de ventilación (en algunos modelos)”.
3. Fije el Control de Fan (Ventilación). Vea “Control de Fan (Ventilación)” para su modelo.
4. Gire el control de termostato a un ajuste medio. Vea “Thermostat (Termostato)” para su modelo.

Control de ventilación (en algunos modelos)

Coloque el control de ventilación en la posición CERRADO para un enfriamiento máximo continuo. Jale el control de Ventilación hacia la posición ABIERTO para hacer escapar el aire viciado/humoso de la sala.

- Abierto — jale para hacer salir el aire de la sala al exterior
- Cerrado — empuje para que circule el aire en la sala



A. Jale para abrir o empuje para cerrar

NOTA: El control de ventilación funciona únicamente cuando el control de Fan (Ventilación) está funcionando.

Estilo 1 — Ajustes del acondicionador de aire para enfriamiento solamente

Fan Control (Control de ventilación)

Ponga el control de Fan en la posición que desee. Cuando el acondicionador de aire está funcionando a temperaturas Low Cool (Poco fría), High Cool (Muy fría) o Turbo Cool (Máximo nivel de frío), el ventilador hace circular el aire continuamente.

- Turbo Cool — para enfriamiento máximo
- High Cool — para enfriamiento normal
- Low Cool — para dormir cómodo
- Fan Only (Sólo ventilación) — para que el aire circule continuamente sin enfriarse

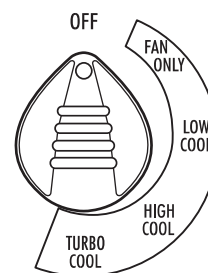
NOTA: El ventilador funciona en velocidad Turbo solamente.

- Power Saver (Ahorro de energía) (en algunos modelos) — el ventilador funciona solamente cuando sea necesario enfriar.

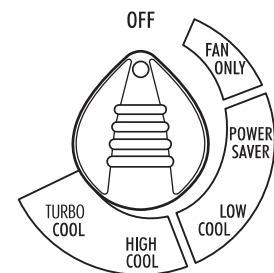
Ya que el ventilador no hace circular continuamente el aire de la habitación, se consume menos energía, pero el aire de la habitación circula con menos frecuencia. Utilice el modo de Power Saver cuando esté fuera del hogar o durmiendo.

NOTA: El ventilador funciona en velocidad Low (Baja) solamente.

Su acondicionador de aire tendrá uno de estos controles de ventilación



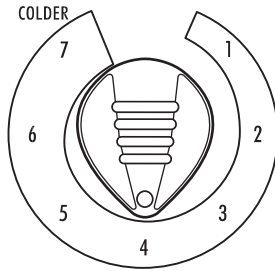
FAN CONTROL



FAN CONTROL

Termostat (Termostato)

Gire el control de THERMOSTAT a un ajuste medio. Ajuste el funcionamiento del acondicionador de aire girando el control de Thermostat hacia la derecha para un enfriamiento máximo. Para un menor enfriamiento, gire el control de THERMOSTAT hacia la izquierda. Experimente y busque el ajuste que más le convenga.



❄️ THERMOSTAT

Style 2 — Ajustes de calefacción del acondicionador de aire caliente/frío (en algunos modelos)

Fan Control (Control de ventilación)

Ponga el control de FAN (Ventilación) en la posición que desee. Cuando el acondicionador de aire está funcionando a temperaturas Low Cool (Poco fría), High Cool (Muy fría) Turbo Cool (Máximo nivel de frío), Low Heat (Calor bajo) o Turbo Heat (Calor turbo), el ventilador hace circular el aire continuamente.

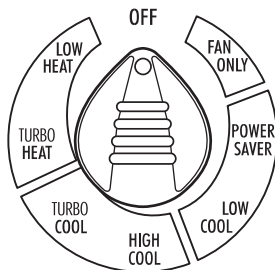
- Turbo Cool (Máximo nivel de frío) — para enfriamiento máximo
- High Cool (Muy fría) — para enfriamiento normal
- Low Cool (Poco fría) — para dormir cómodo
- Turbo Heat (Calor turbo) — para máximo nivel de calefacción
- Low Heat (Calor bajo) — para reducir el nivel de calefacción
- Fan Only (Ventilación solamente) — para hacer circular el aire sin calentar ni enfriar

NOTA: El ventilador funciona en velocidad Turbo solamente.

- Power Saver (Ahorro de energía) — el ventilador funciona solamente cuando sea necesario enfriar.

Ya que el ventilador no hace circular continuamente el aire de la habitación, se consume menos energía, pero el aire de la habitación circula con menos frecuencia. Utilice el modo de Power Saver cuando esté fuera del hogar o durmiendo.

NOTA: El ventilador funciona en velocidad Low (Baja) solamente.



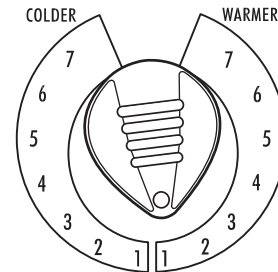
🌀 FAN CONTROL

Termostat (Termostato)

Gire el control de THERMOSTAT a un ajuste medio. Ajuste el funcionamiento del acondicionador de aire girando el control de Thermostat hacia la derecha para un enfriamiento máximo. Para un menor enfriamiento, gire el control de THERMOSTAT hacia la izquierda. Experimente y busque el ajuste que más le convenga.

Para calentar, gire el control de THERMOSTAT (Termostato) hacia la izquierda. El calentador de tira eléctrica se activa cuando el control del ventilador se coloca en una posición de calor.

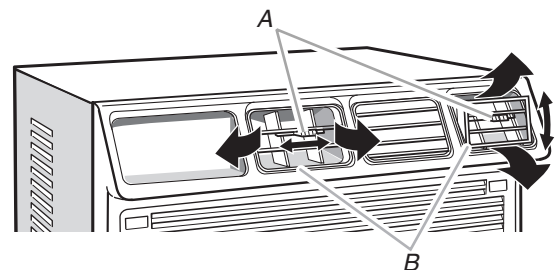
NOTA: Su acondicionador de aire no está diseñado para ser usado como fuente primaria de calor. Está diseñado para ser una fuente suplementaria de calor solamente.



❄️ ☀️ THERMOSTAT

Cómo cambiar la dirección del aire

Use la lengüetas para dirigir el aire hacia la derecha, hacia la izquierda o directamente hacia adelante (en algunos modelos). Gire el cartucho completamente para dirigir el aire hacia arriba, hacia abajo o directamente hacia adelante.



A. Lengüetas
B. Cartuchos

Sonidos normales

Cuando el acondicionador de aire está funcionando normalmente, usted podrá escuchar sonidos como:

- Gotas de agua que caen sobre el condensador, produciendo tintineos o chasquidos. Las gotas de agua ayudan a enfriar el condensador.
- El movimiento del aire que sale del ventilador.
- Chasquidos del ciclo del termostato.
- Vibraciones o ruidos debidos a deficiencias en la construcción de la pared o ventana.
- Un zumbido agudo o un ruido pulsante producido por la alternación de los ciclos del moderno compresor de alta eficiencia.

CUIDADO DE SU ACONDICIONADOR DE AIRE

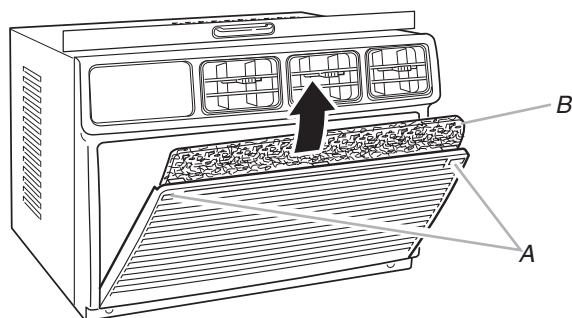
Su nuevo acondicionador de aire está diseñado para darle muchos años de servicio confiable. Esta sección le ofrece la información acerca de la limpieza adecuada y el cuidado de su acondicionador de aire. Llame al vendedor autorizado de su localidad para un chequeo anual. Acuérdesese...el precio de este servicio es su responsabilidad.

Limpieza del filtro de aire

El filtro de aire se puede desmontar para facilitar su limpieza. Un filtro limpio ayuda a quitar el polvo, las pelusas y otras partículas del aire, y es importante para que el aparato enfríe, caliente y opere más eficientemente. Revise el filtro cada dos semanas para ver si necesita limpieza.

NOTA: No haga funcionar el acondicionador de aire si el filtro no está colocado en su lugar.

1. Apague el acondicionador de aire.
2. Usando las muescas que están en la parte superior de la puerta del filtro, jale la puerta hacia abajo. La puerta del filtro no es desmontable.
3. Deslice el filtro de aire hacia arriba y hacia el exterior para sacarlo de la puerta del filtro.



A. Muecas
B. Filtro de aire

4. Limpie el filtro de aire usando una aspiradora. Si está muy sucio, lave el filtro con agua tibia y un detergente suave. No lave el filtro de aire en la lavavajillas ni use limpiadores químicos. Seque bien el filtro al aire antes de colocarlo nuevamente para asegurarse la máxima eficiencia.
5. Deslice el filtro hacia abajo en la puerta del filtro. Cierre la puerta del filtro.

Limpieza del panel delantero

1. Apague el acondicionador de aire.
2. Quite el filtro de aire y límpielo por separado. Vea "Limpieza del filtro de aire".
3. Limpie el panel delantero con un paño suave y húmedo.
4. Seque el panel delantero al aire completamente.

Reparación de la pintura dañada

Revise una o dos veces al año si hay daños en la pintura. Esto es muy importante, especialmente en lugares que están cerca de los océanos o donde la herrumbre es un problema. Si es necesario, retoque con un esmalte de buena calidad.

NOTA: Para reducir el daño a la pintura durante el invierno, instale una cubierta resistente sobre el gabinete del acondicionador de aire. Para obtener información sobre cómo pedir una cubierta resistente, vea la sección "Accesorios".

Mantenimiento anual

Su acondicionador de aire necesita mantenimiento anual para ayudar a asegurar un rendimiento constante de la mejor calidad durante todo el año. Llame al vendedor autorizado de su localidad para hacer una cita para el chequeo anual. El precio del chequeo anual es su responsabilidad.

SOLUCIÓN DE PROBLEMAS

Antes de solicitar servicio, pruebe las sugerencias que se incluyen a continuación para ver si puede resolver el problema sin ayuda.

Su acondicionador de aire no funciona

- **El cable de alimentación eléctrica está desconectado.** Conecte a un contacto de pared de conexión a tierra de 3 terminales. Vea "Requisitos eléctricos".
- **El cable de suministro de energía se trabó (el botón de reposición saltó).** Presione y suelte RESET (escuche el chasquido, el botón de reposición queda asegurado y se mantiene asegurado) para reanudar el funcionamiento.
- **Se ha fundido un fusible de la casa o disparado un cortacircuitos.** Reemplace el fusible o reposicione el cortacircuitos. Si el problema continúa, llame a un electricista. Vea "Requisitos eléctricos".
- **Dependiendo del modelo, no se ha presionado el botón de Power o el control de Fan (Ventilación) se ha fijado en la posición de apagado.** Presione el botón de POWER o fije el control de Fan en una posición activa.
- **Se ha interrumpido la energía eléctrica en su localidad.** Espere que se restablezca la energía eléctrica.

El acondicionador de aire funde los fusibles o dispara los cortacircuitos

- **Se están usando muchos aparatos en el mismo circuito.** Desconecte o ponga en otro lugar los aparatos que estén usando el mismo circuito.
- **Se está usando un fusible de retardo o un cortacircuitos con la capacidad incorrecta.** Reemplácelo con un fusible o un cortacircuitos con la capacidad correcta. Vea "Requisitos eléctricos".
- **Se está usando un cable eléctrico de extensión.** No use un cable eléctrico de extensión con este ni cualquier otro aparato.
- **Usted está tratando de volver a poner en marcha el acondicionador de aire muy poco tiempo después de apagar la unidad.** Espere por lo menos 3 minutos antes de poner en marcha la unidad después de apagar el acondicionador de aire.

El cable de suministro de energía del acondicionador de aire se traba (el botón de reposición salta)

- **Las interrupciones en la corriente eléctrica de su casa pueden hacer trabar (el botón de reposición saltará) el cable de suministro de energía.** Presione y libere RESET (Reposición) (escuche el chasquido, el botón de reposición queda asegurado y se mantiene asegurado) para reanudar el funcionamiento.
- **Una sobrecarga eléctrica, el recalentamiento, los pellizcos y el envejecimiento pueden hacer que se trabe (el botón de reposición saltará) el cable de suministro de energía.** Luego de corregir el problema, presione y libere RESET (Reposición) (escuche el chasquido, el botón de reposición queda asegurado y se mantiene asegurado) para reanudar el funcionamiento.

NOTA: Un cable de suministro de energía dañado debe ser reemplazado por un nuevo cable de suministro de energía obtenido del fabricante del producto y que no haya sido reparado.

Parece que el acondicionador de aire funciona excesivamente

- **Su actual acondicionador de aire reemplazó un modelo viejo.** El uso de componentes más eficientes puede hacer que el acondicionador de aire funcione por más tiempo que su antiguo modelo, pero el consumo total de energía será menor. Los acondicionadores de aire más nuevos no emiten las “ráfagas” de aire frío a las que usted estaba acostumbrado con sus unidades anteriores, pero esto no es indicio de menor capacidad o eficiencia en el enfriamiento. Verifique el régimen de eficiencia (EER) y el régimen de capacidad (en BTU/h) que se indican en el acondicionador de aire.
- **El acondicionador de aire se encuentra en una habitación muy congestionada o se están usando en la misma habitación aparatos que generan calor.** Use ventiladores aspiradores cuando esté cocinando o bañándose y trate de no usar aparatos que generan calor durante las horas más calurosas del día. Podría necesitar un acondicionador de aire con más capacidad, dependiendo del tamaño de la habitación que se desea enfriar.

El acondicionador de aire se enciende y se apaga demasiado o no enfría/calienta la habitación en el modo de enfriamiento/calefacción

- **El control de Mode o Fan (Ventilación) está puesto en Power Saver (Ahorro de energía) (en algunos modelos).** Utilice el modo de ahorro de energía únicamente cuando esté fuera de su hogar o durmiendo, debido a que el ventilador no hace circular el aire de la sala continuamente. Para mayor comodidad use Low Cool (Poco fría), High Cool (Muy fría) o Turbo Cool (Máximo nivel de frío).
- **El acondicionador de aire no tiene el tamaño adecuado para su habitación.** Verifique la capacidad de enfriamiento de su acondicionador de aire para habitación. Los acondicionadores de aire para habitaciones no están diseñados para enfriar varias habitaciones.

- **El filtro está sucio u obstruido por escombros.** Limpie el filtro.
- **El evaporador interno y los serpentines del condensador externo están sucios u obstruidos por escombros.** Vea “Mantenimiento Anual”.
- **Hay demasiado calor o humedad (se está cocinando en recipientes abiertos, duchas, etc.) en la habitación.** Use un ventilador para eliminar el calor o la humedad de la habitación. Trate de no usar aparatos que generan calor durante las horas más calurosas del día.
- **Las rejillas están bloqueadas.** Instale el acondicionador de aire en un lugar donde las rejillas no estén bloqueadas por cortinas, persianas, muebles, etc.
- **La temperatura exterior es inferior a los 65°F (18°C).** No trate de poner en marcha el acondicionador de aire en el modo de enfriamiento cuando la temperatura exterior sea inferior a los 65°F (18°C).
- **La temperatura de la habitación que está tratando de enfriar está demasiado caliente.** Deje pasar más tiempo para que el acondicionador de aire enfríe una habitación muy caliente.
- **Están abiertas ventanas o puertas que dan al exterior.** Cierre todas las puertas y ventanas.
- **El control de ventilación está en ABIERTO (en algunos modelos).** Jale el control de Vent (Ventilación) en la posición CERRADO para un enfriamiento y/o calefacción máximo.
- **El punto fijo de temperatura o control de Thermostat (Termostato) no está en una posición lo suficientemente fría.** Ajuste el punto fijo de temperatura a una posición más fría oprimiendo el botón de menos para reducir la temperatura o el control de termostato a una posición más fría girando la perilla en la dirección de las manecillas del reloj. Ponga el control de Fan en Turbo Cool.
- **El acondicionador de aire en el modo de calefacción no tiene la capacidad suficiente de BTU/hr. para los requerimientos de calefacción de la habitación.** No use el acondicionador de aire como fuente principal de calor.

La temperatura de la pantalla no coincide con la temperatura de la habitación

- **Cuando el motor del compresor y del ventilador se apague durante el modo Power Saver (Ahorro de energía) o después de que usted apague la unidad, es posible que por un período corto de tiempo se vea en la pantalla una temperatura más baja que la temperatura de la habitación.** El motivo por el cual la lectura de la temperatura es más baja es porque la resistencia térmica está ubicada cerca del serpentín del evaporador. La temperatura real de la habitación aparecerá en la pantalla en unos minutos.

Se filtra agua del gabinete a su casa

- **El acondicionador de aire no está debidamente nivelado.** El acondicionador de aire debe inclinarse ligeramente hacia abajo, hacia el exterior. Nivele el acondicionador de aire de manera que tenga una inclinación hacia abajo, hacia el exterior para asegurar el debido desagüe. Vea las Instrucciones de instalación.

NOTA: No perforo orificios en la parte inferior de la base de metal o del colector de condensado.

AYUDA O SERVICIO TÉCNICO

Para evitar llamadas solicitando servicio innecesarias, revise la sección de "Solución de problemas". Podría ahorrarle el costo de una llamada solicitando servicio. Si aún necesita ayuda, siga las instrucciones a continuación.

Si necesita ayuda o servicio técnico

Llame al número telefónico del Centro para eXperiencia del cliente. Llame gratis al **1-800-253-1301** en los EE. UU. Nuestros consultores están disponibles para ayudarlo.

Cuando llame, tenga a mano la fecha de compra y el número de modelo y de serie completos de su aparato.

Esta información nos ayudará a atenderle mejor.

Nuestros consultores le proporcionan ayuda para:

- Características y especificaciones para nuestra línea completa de aparatos electrodomésticos
- Información sobre instalación
- Procedimientos de uso y mantenimiento
- Ventas de accesorios y refacciones
- Asistencia especializada al cliente (asistencia en español, para personas con problemas auditivos, visión limitada, etc.)
- Direcciones de vendedores, compañías de servicio y distribuidores de refacciones en su localidad.

Nuestros técnicos en servicio están capacitados para satisfacer la garantía del producto y proporcionar servicios posteriores a la garantía, en cualquier parte de los EE. UU.

Para localizar a una compañía de servicios autorizada en su área, puede buscar en las páginas amarillas de su guía telefónica.

Si necesita refacciones

Si necesita pedir refacciones, le recomendamos que utilice únicamente partes autorizadas por la fábrica. Estas partes se adaptarán y funcionarán correctamente porque han sido hechas siguiendo las mismas rigurosas especificaciones utilizadas para construir todos los nuevos aparatos electrodomésticos.

Para localizar partes autorizadas por la fábrica en su localidad, llame a nuestro Centro para eXperiencia del cliente, a su centro de servicio autorizado más cercano o al Servicio de Fábrica al **1-800-442-1111** en los EE. UU.

Para asistencia adicional

Si necesita asistencia adicional puede escribir para hacernos cualquier pregunta o comunicarnos sus problemas a:

Customer eXperience Center
553 Benson Road
Benton Harbor, MI 49022-2692

Por favor incluya en su correspondencia un número de teléfono en el que se le pueda localizar durante el día.

Por favor anote la información sobre su modelo.

Siempre que llame para solicitar servicio del aparato, necesitará saber el número del modelo y el número de serie completos. Esta información la encuentra en la placa de número del modelo y número de serie. Vea la ubicación del número del modelo y del número de serie en "Requisitos eléctricos".

Por favor anote la información sobre el número del modelo y el número de serie que se incluye abajo. Anote también la fecha de compra del aparato, así como el nombre, la dirección y el teléfono de la tienda.

Número del modelo _____

Número de serie _____

Fecha de compra _____

Nombre de la tienda _____

Dirección de la tienda _____

Teléfono de la tienda _____

Guarde este manual y la nota de compra juntos para referencia futura.

Accesorios

Usted puede ordenar los siguientes accesorios para su acondicionador de aire en el distribuidor autorizado de su localidad o llamando al **1-800-253-1301** desde cualquier lugar en los EE. UU. Escuchará una grabación. Siga las instrucciones para hacer su pedido.

Filtros de aire de reemplazo

Un filtro de aire limpio y de buena calidad es importante para obtener el mejor enfriamiento con el menor consumo de energía. Debe limpiar regularmente el filtro de aire. Vea las instrucciones de limpieza en la sección "Limpieza del filtro de aire". Le recomendamos cambiar su filtro de aire una vez al año.

Cubierta resistente

Si usted decide dejar instalado su acondicionador de aire durante el invierno, una cubierta resistente ayudará a proteger su aparato y reducir las corrientes de aire. La cubierta para exteriores protege contra las corrientes de aire frío a través de los orificios de paso de aire de la unidad y protege el gabinete contra la nieve, la lluvia, el agua nieve, la oxidación y el polvo.

Para obtener una cubierta para exteriores resistente del tamaño adecuado para su acondicionador de aire, ordene la pieza #484069.

Para obtener una cubierta para interiores resistente del tamaño adecuado para su acondicionador de aire, ordene la pieza #4392941.

Juego para ventana ancha

Un juego para ventana ancha especial está disponible para ventanas de 40" (101,6 cm) a 54" (137,2 cm) de ancho. Use el juego #1162147.

1188127A

© 2005.
All rights reserved.
Todos los derechos reservados.

4/05
Printed in U.S.A.
Impreso en EE. UU.