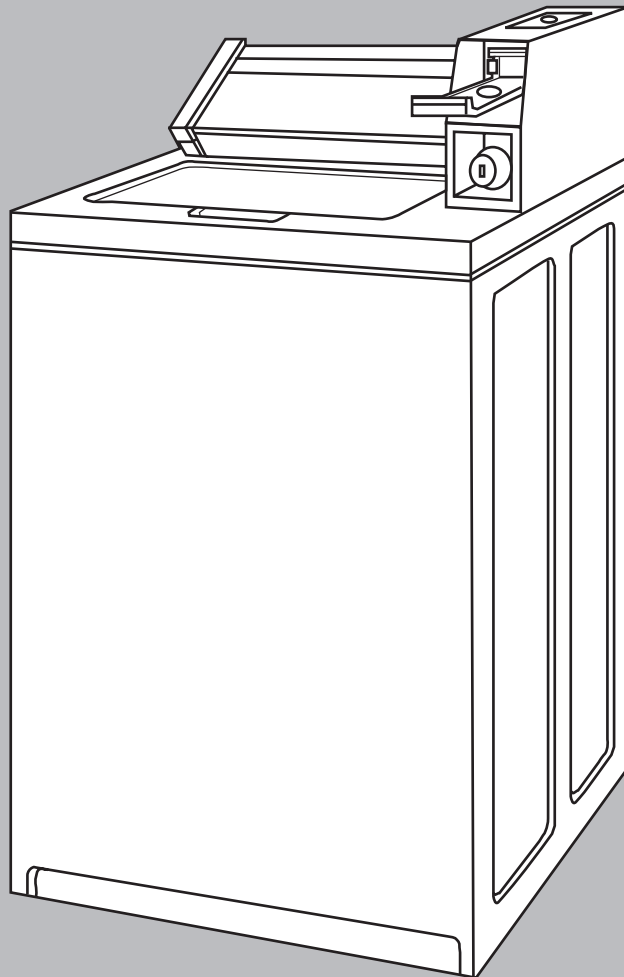


Installation Instructions



Part No. 8524720 Rev. A

IMPORTANT:
Read and save
these instructions

**COMMERCIAL
WASHER**

IMPORTANT:

Installer: Leave Installation Instructions with the owner.

Owner: Keep Installation Instructions for future reference.

Save Installation Instructions for local electrical inspector's use.

120-volt, 60-Hz Models

www.roperappliances.com



BY WHIRLPOOL CORPORATION

Before you start...

Your safety and the safety of others are very important.

We have provided many important safety message in this manual and on your appliance. Always read and obey all safety messages.



This is the safety alert symbol.

This symbol alerts you to potential hazards that can kill or hurt you and others.

All safety messages will be preceded by the safety alert symbol and the word "DANGER" or "WARNING".

These words mean:

⚠ DANGER

You can be killed or seriously injured if you don't immediately follow instructions.

⚠ WARNING

You can be killed or seriously injured if you don't follow instructions.

All safety messages will tell you what the potential hazard is, tell you how to reduce the chance of injury, and tell you what can happen if the instructions are not followed.

Check location where washer will be installed. Proper installation is your responsibility. Make sure you have everything necessary for correct installation.

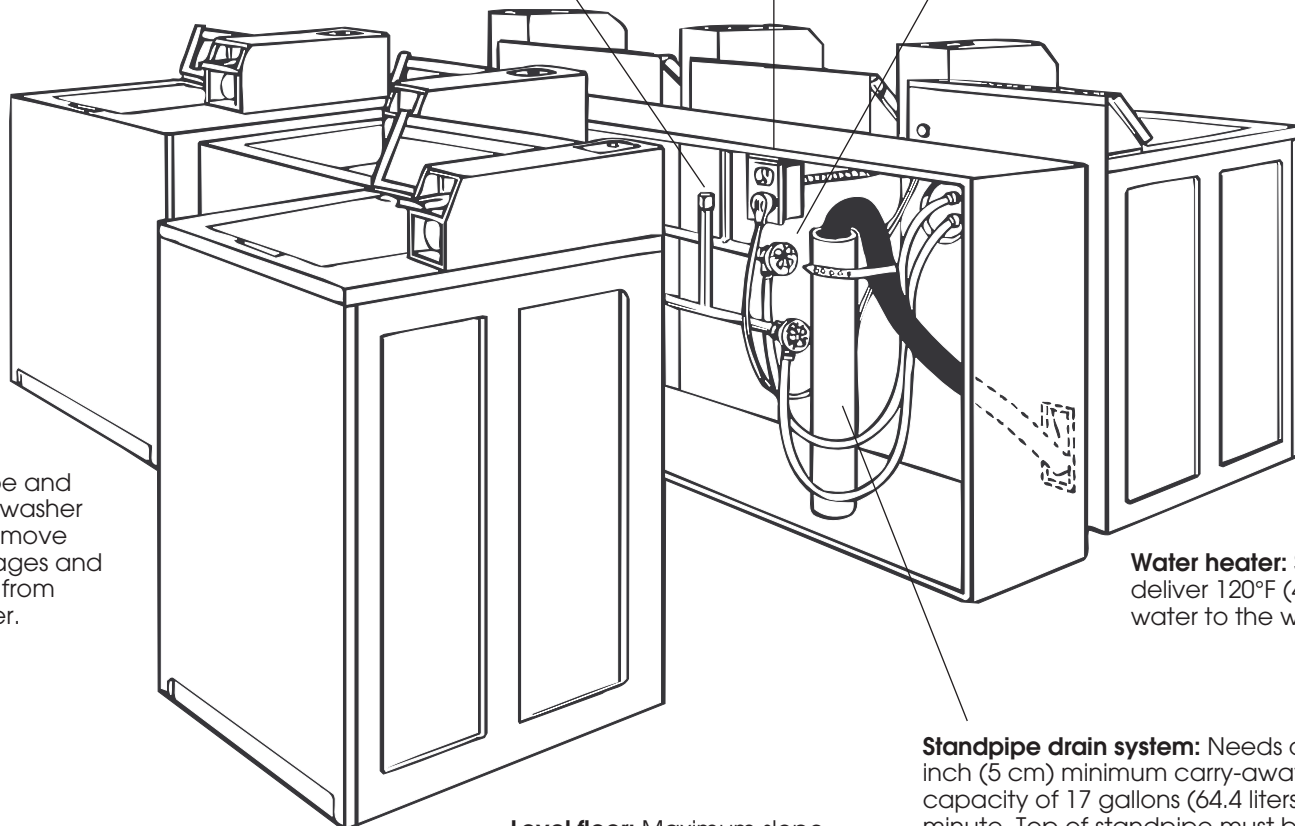
Do Not store or operate washer below 32°F (0°C) (some water may remain in washer).

Single washer installations require 12-inch (30 cm) minimum risers to provide an air cushion and prevent noise and damage to valves.

Grounded electrical outlet is required. See Electrical requirements.

Hot and cold water faucets: Must be within 4 feet (1.2 meters) of the back of the washer and provide water pressure 10 - 100 PSI (69-690 kPa). A pressure reduction valve should be used in the supply line where inlet pressure entering the building exceeds 100 PSI (690 kPa) to prevent damage to the washer mixing valve.

Untape and open washer lid. Remove packages and hoses from washer.



Water heater: Set to deliver 120°F (49°C) water to the washer.

Standpipe drain system: Needs a two-inch (5 cm) minimum carry-away capacity of 17 gallons (64.4 liters) per minute. Top of standpipe must be at least 39 inches (99 cm) high and no higher than 72 inches (183 cm) from bottom of washer.

Level floor: Maximum slope under washer — 1 inch (2.5 cm).

Front access to the pump area is available by removing 2 clips under the console area and removing the top and cabinet assembly.

Important: Observe all governing codes and ordinances.

A floor drain should be provided under the bulkhead. Prefabricated bulkheads with electrical outlets, water supply lines and drain facilities should be used only where local codes permit.

Support: Floor must be sturdy enough to support loaded washer weight of 315 pounds (143 Kg).

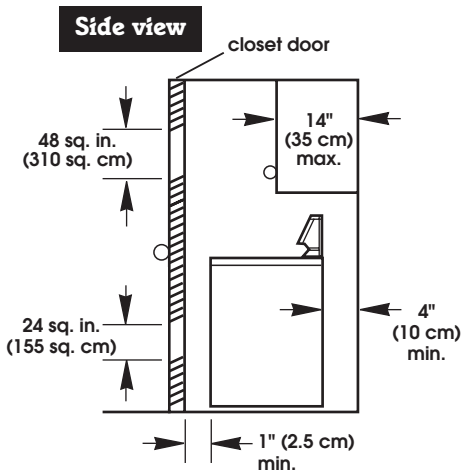
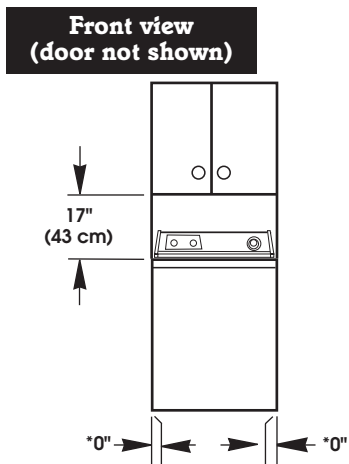
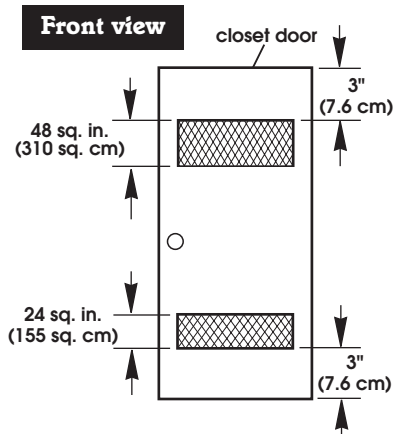
© Registered trademark of TEXTRON

Recessed area instructions

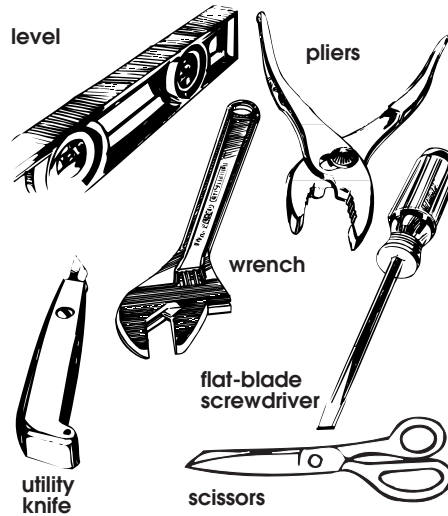
This washer may be installed in a recessed area or closet.

The installation dimensions shown are the minimum spaces allowable. Additional spacing should be considered for ease of installation and servicing. If closet door is installed, the minimum air openings in top and bottom of door are required. Louvered doors with air openings in top and bottom are acceptable. Companion appliance spacing should be considered.

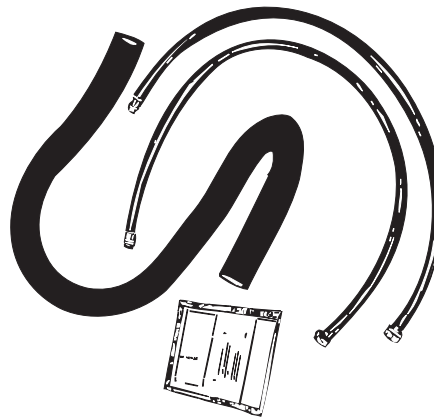
Minimum installation spacing



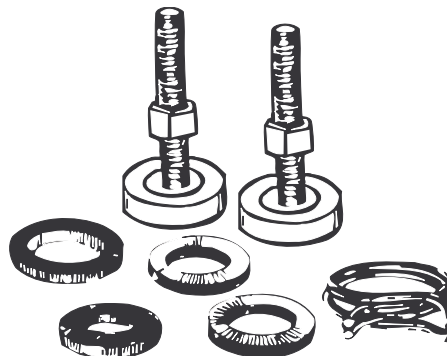
Tools needed for installation:



Parts supplied for installation:



Remove parts from packages. Check that all parts were included.



- 1 hose clamp
- 2 inlet hoses
- 4 flat water hose washers
- 2 front-leveling legs with nuts
- 1 drain hose

Electrical requirements

⚠ WARNING



Electrical Shock Hazard

- Plug into a grounded 3-prong outlet.
- Do not remove ground prong.
- Do not use an adapter.
- Do not use an extension cord.
- Failure to follow these instructions can result in death, fire, or electrical shock.

If codes permit and a separate ground wire is used, it is recommended that a qualified electrician determine that the ground path is adequate.

Do Not ground to a gas pipe.

Check with a qualified electrician if you are not sure the washer is properly grounded.

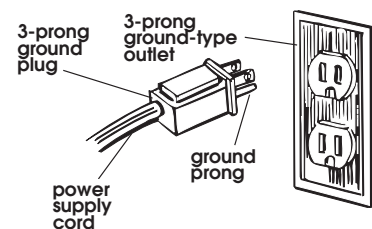
Do Not have a fuse in the neutral or ground circuit.

A 120-volt, 60-Hz, AC-only, 15- or 20-ampere fused electrical supply is required. (Time-delay fuse or circuit breaker is recommended.) It is recommended that a separate circuit serving only this appliance be provided.

Grounding instructions

This appliance must be grounded. In the event of a malfunction or breakdown, grounding will reduce the risk of electric shock by providing a path of least resistance for the electric current. This appliance is equipped with a cord having an equipment-grounding conductor and a grounding plug. The plug must be plugged into an appropriate outlet that is properly installed and grounded in accordance with all local codes and ordinances.

WARNING - Improper connection of the equipment-grounding conductor can result in a risk of electric shock. Check with a qualified electrician or serviceman if you are in doubt as to whether the appliance is properly grounded. Do not modify the plug provided with the appliance - if it will not fit the outlet, have a proper outlet installed by a qualified electrician.



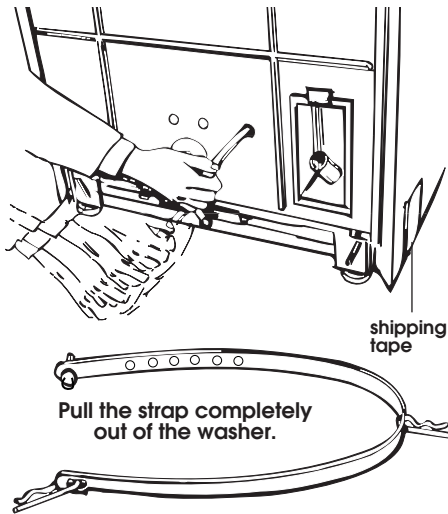
Now start...

! WARNING

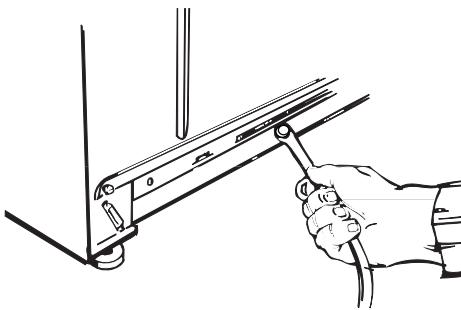
Excessive Weight Hazard

Use two or more people to move and install washer.

Failure to do so can result in back or other injury.



1. Remove tape that covers shipping strap. Pull to completely remove the shipping strap with 2 cotterpins from the inside of the washer.

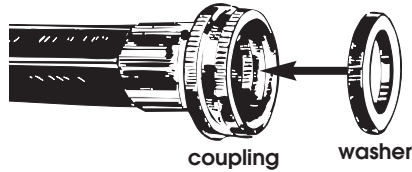


Pull firmly to remove the end of shipping strap from the back of the washer. The shipping strap plug must be completely removed from the washer for the self-leveling legs to be released.

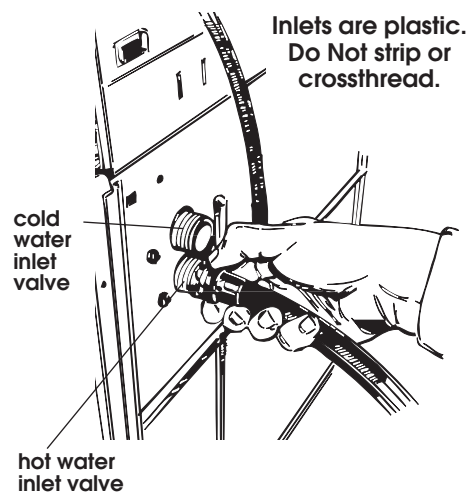
Save the shipping strap for use in Step 6.

Use new hoses and washers that came with your washer.

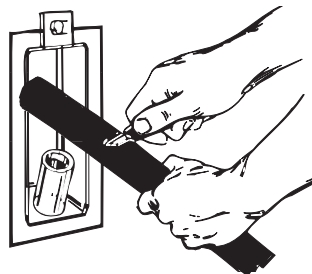
Replace inlet hoses after 5 years of use to reduce the risk of hose failure. Inspect and replace inlet hoses if bulges, kinks, cuts, wear, or leaks are found. When replacing your inlet hoses, mark the date of replacement on the label with a permanent marker.



2. Insert a flat washer into **each** end of the inlet hoses. Check that washers are firmly seated in couplings.

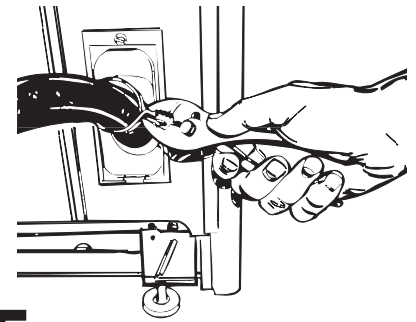


3. Attach hose to bottom inlet valve opening first. Then second hose to top inlet. Tighten couplings by hand; then use pliers to make an additional two-thirds turn.

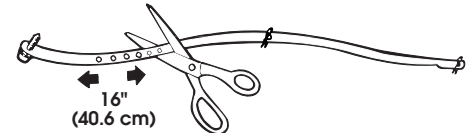


4. Move washer close to final position. Put "hook" end of drain hose into standpipe. Estimate length of drain hose needed when washer is in final position. Hose must be cut exactly to length so "hook" end is held tightly over edge of standpipe. If drain hose is too long, cut straight end of hose. (**Do Not cut "hook" shaped end of drain hose.**)

DO NOT FORCE EXCESS LENGTH OF DRAIN HOSE DOWN THE STANDPIPE. THIS COULD CAUSE SIPHONING. See Step 6.



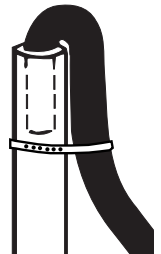
5. Place hose clamp over washer drain connector. Push drain hose onto washer connector. Use pliers to open clamp and slide clamp over drain hose. Check for good fit.



6. Measure and mark a point approximately 16 inches (40.6 cm) from the plug end of the shipping strap. Cut this shipping strap at this point.

Check that hose is not twisted or kinked and is securely in place.

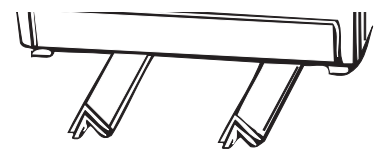
Put "hook" end of drain hose into standpipe. Tightly wrap the shipping strap around the standpipe. Push plug into the nearest hole in the shipping strap.



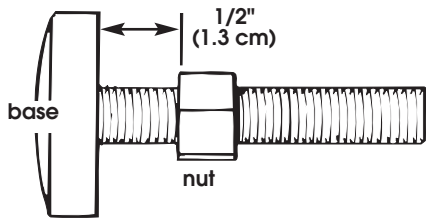
7. Before attaching water inlet hoses, run water through both faucets into a bucket. This will get rid of particles in water lines that might clog hoses. Mark which is the hot water faucet.



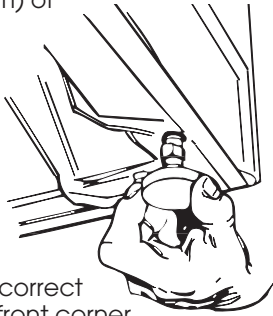
8. Attach bottom hose (inlet marked "H") to hot water faucet. Attach top hose (inlet marked "C") to cold water faucet. Tighten coupling to faucet by hand; then use pliers to make final two-thirds turn.



9. Stack two corner posts on top of each other. Tilt washer backwards and insert corner posts 3 inches (7.6 cm) in from one side of washer as shown. Repeat with other corner posts on other side of washer.



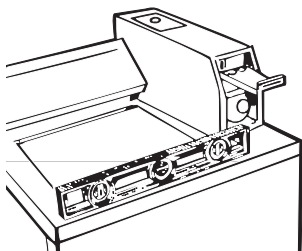
10. Use legs and nuts from parts package. Screw nut down to within 1/2 inch (1.3 cm) of base.



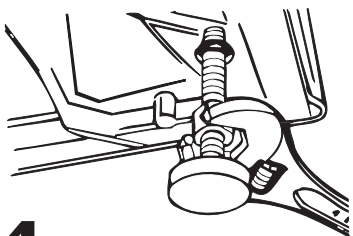
11. Insert legs into correct holes at each front corner of washer until nuts touch washer. **Do Not** tighten nuts until Step 14.

12. Tilt washer backward and remove corner posts. Gently lower washer to floor.

Move washer to its permanent location. Remove cardboard or hardboard from under washer.



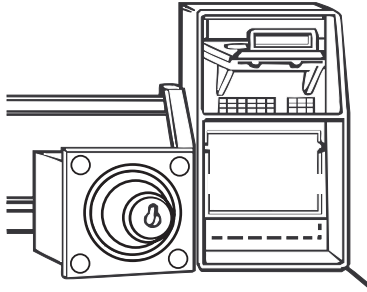
13. Tilt washer forward raising back legs 1 inch (2.5 cm) off of floor. To adjust rear self-leveling legs, gently lower washer to floor. Check levelness of the washer by placing a carpenter's level on top of the washer, first side to side; then front to back.



14. If washer is not level, adjust the front legs up or down. Make final check with level.

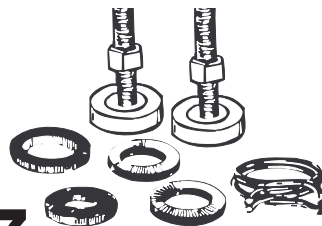
When washer is level, use wrench to turn nuts on front legs up tightly against washer base. If nuts are not tight against washer base, the washer may vibrate.

NOTE: If the coin slide mechanism has already been installed, skip this step and proceed to Step 16.



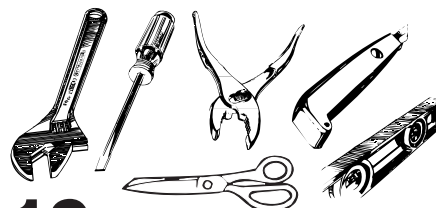
15. Remove the service door of the meter case. Lift the service door up at the back and remove. Install money accepting device (refer to manufacturers instructions for proper installation). For machines using coin slides, use adapter kit (provided with unit). Replace meter case service door.

16. CHECK ELECTRICAL REQUIREMENTS. BE SURE YOU HAVE CORRECT ELECTRICAL SUPPLY AND RECOMMENDED GROUNDING METHOD.



17. Check that all parts are now installed. See parts list, Page 3. If there is an extra part, go back through steps to see which step was skipped.

18. Turn on water faucets and check for leaks. Tighten couplings if there is leaking. Do Not overtighten; this could cause damage to faucets.



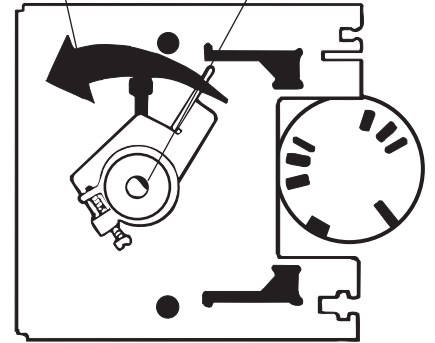
19. Check that you have all of your tools. Check that the shipping strap was removed from the back of the washer and used to secure the drain hose.

If entire strap is not removed, washer may vibrate and be noisy.

20. Plug power supply cord into grounded outlet.

21. Check the wash cycle time. The washer has a 9-minute wash in the Normal Cycle. Remove the meter case of the washer to manually start the timer. Start the washer and allow it to complete the Normal cycle.

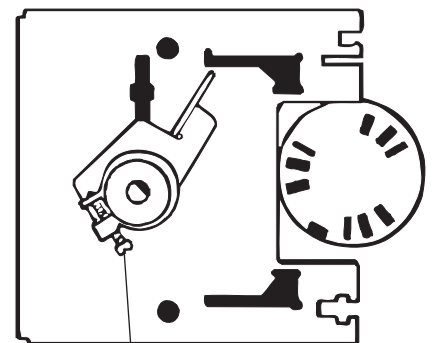
Rotate counterclockwise only. timer "off" position



Timer-front view

Timers can be started by turning the clutch assembly counterclockwise until the washer starts to fill with water.

22. If the washer fails to start or does not give the proper washer cycle time, the clutch assembly of the timer can be adjusted. Remove the timer from the meter case. Adjust the clutch assembly screw clockwise if the washer does not start after the coin slide mechanism has been fully actuated in or out. Adjust the clutch assembly counterclockwise if the washer segment of the Normal cycle was less than 9 minutes.



timer clutch adjustment screw

Additional features

WARNING



Electrical Shock Hazard

Disconnect power before making electrical connections.

Failure to do so can result in death or electrical shock.

For **WARM RINSE**:

- Remove screws from each end of the console bottom.
- Pull the console bottom forward; lift and tilt back.
- Connect J1 to J2

To **SAVE WATER**:

- Locate water level switch on back of washer. (See Back Page.)
- Turn shaft 45° counterclockwise.

Check list for washer operation

Check the following if the washer is not operating properly:

1. Power supply cord is plugged in.
2. Circuit breaker is not tripped or fuse blown.
3. Timer has been advanced to start of a cycle.
4. Water faucets are turned on.
5. Inlet and drain hoses are not kinked.
6. Washer lid is closed.
7. Inlet valve is frozen if not protected from the weather.
8. Suds level. Excess suds will slow the spin and cause poor rinsing. Operate the washer through a complete cycle with no detergent. Use less detergent or a controlled suds type detergent in future loads.

If you need assistance...

The Whirlpool Consumer Interaction Center will answer any questions about operating or maintaining your washer not covered in the Installation Instructions. The Whirlpool Consumer Interaction Center is open 24 hours a day, 7 days a week. Just dial 1-800 NO BELTS (1-800-662-3587) — the call is free.

When you call, you will need the washer model number and serial number. Both numbers can be found on the serial-rating plate located on your appliance.

IMPORTANT SAFETY INSTRUCTIONS

WARNING: To reduce the risk of fire, electric shock, or injury to persons when using your washer, follow basic precautions, including the following:

- Read all instructions before using the washer.
- Do not wash articles that have been previously cleaned in, washed in, soaked in, or spotted with gasoline, dry-cleaning solvents, other flammable or explosive substances as they give off vapors that could ignite or explode.
- Do not add gasoline, dry-cleaning solvents, or other flammable or explosive substances to the wash water. These substances give off vapors that could ignite or explode.
- Under certain conditions, hydrogen gas may be produced in a hot water system that has not been used for 2 weeks or more. **HYDROGEN GAS IS EXPLOSIVE.** If the hot water system has not been used for such a period, before using a washing machine, turn on all hot water faucets and let the water flow from each for several minutes. This will release any accumulated hydrogen gas. As the gas is flammable, do not smoke or use an open flame during this time.
- Do not allow children to play on or in the washer. Close supervision of children is necessary when the washer is used near children.
- Before the washer is removed from service or discarded, remove the lid.
- Do not reach into the washer if the tub or agitator is moving.
- Do not install or store this washer where it will be exposed to the weather.
- Do not tamper with controls.
- Do not repair or replace any part of the washer or attempt any servicing unless specifically recommended in the Owner's Manual or in published user-repair instructions that you understand and have the skills to carry out.
- See Page 3 of this booklet for recommended grounding instructions.

SAVE THESE INSTRUCTIONS

For a grounded, cord-connected appliance:

GROUNDING INSTRUCTIONS

This appliance must be grounded. In the event of malfunction or breakdown, grounding will reduce the risk of electric shock by providing a path of least resistance for electric current. This appliance is equipped with a cord having an equipment-grounding conductor and a grounding plug. The plug must be plugged into an appropriate outlet that is properly installed and grounded in accordance with all local codes and ordinances.

WARNING - Improper connection of the equipment-grounding conductor can result in a risk of electric shock. Check with a qualified electrician or serviceman if you are in doubt as to whether the appliance is properly grounded.

Do not modify the plug provided with the appliance - if it will not fit the outlet, have a proper outlet installed by a qualified electrician.

For a permanently connected appliance:

GROUNDING INSTRUCTIONS

This appliance must be connected to a grounded metal, permanent wiring system, or an equipment-grounding conductor must be run with the circuit conductors and connected to the equipment-grounding terminal or lead on the appliance.

Typical full load sizes.

Load Type	Loading Suggestion	Load Type	Loading Suggestion
Mixed Load	3 double sheets 4 pillowcases 6 pair shorts 8 T-shirts 2 shirts 2 blouses 8 handkerchiefs	Heavy work clothes	3 pair pants 3 shirts 1 coverall 4 pair jeans 1 overall
Permanent Press	2 double or 1 king size sheet 1 tablecloth 1 dress 1 blouse 2 slacks 3 shirts 2 pillowcases	Knits	3 blouses 4 slacks 6 shirts 4 tops 4 dresses

Operating Tips

⚠ WARNING



Fire Hazard

Never place items in the washer that are dampened with gasoline or other flammable fluids.

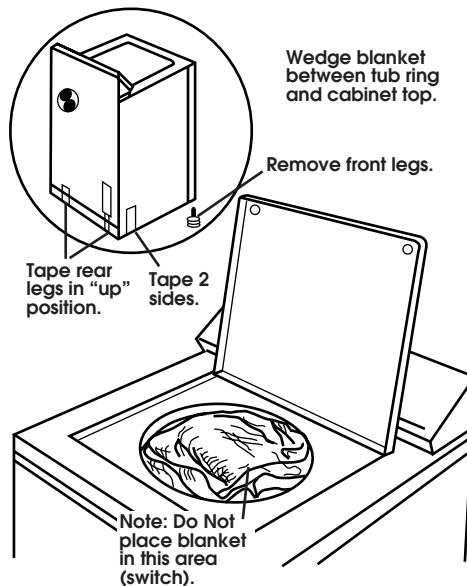
No washer can completely remove oil.

Do not dry anything that has ever had any type of oil on it (including cooking oils).

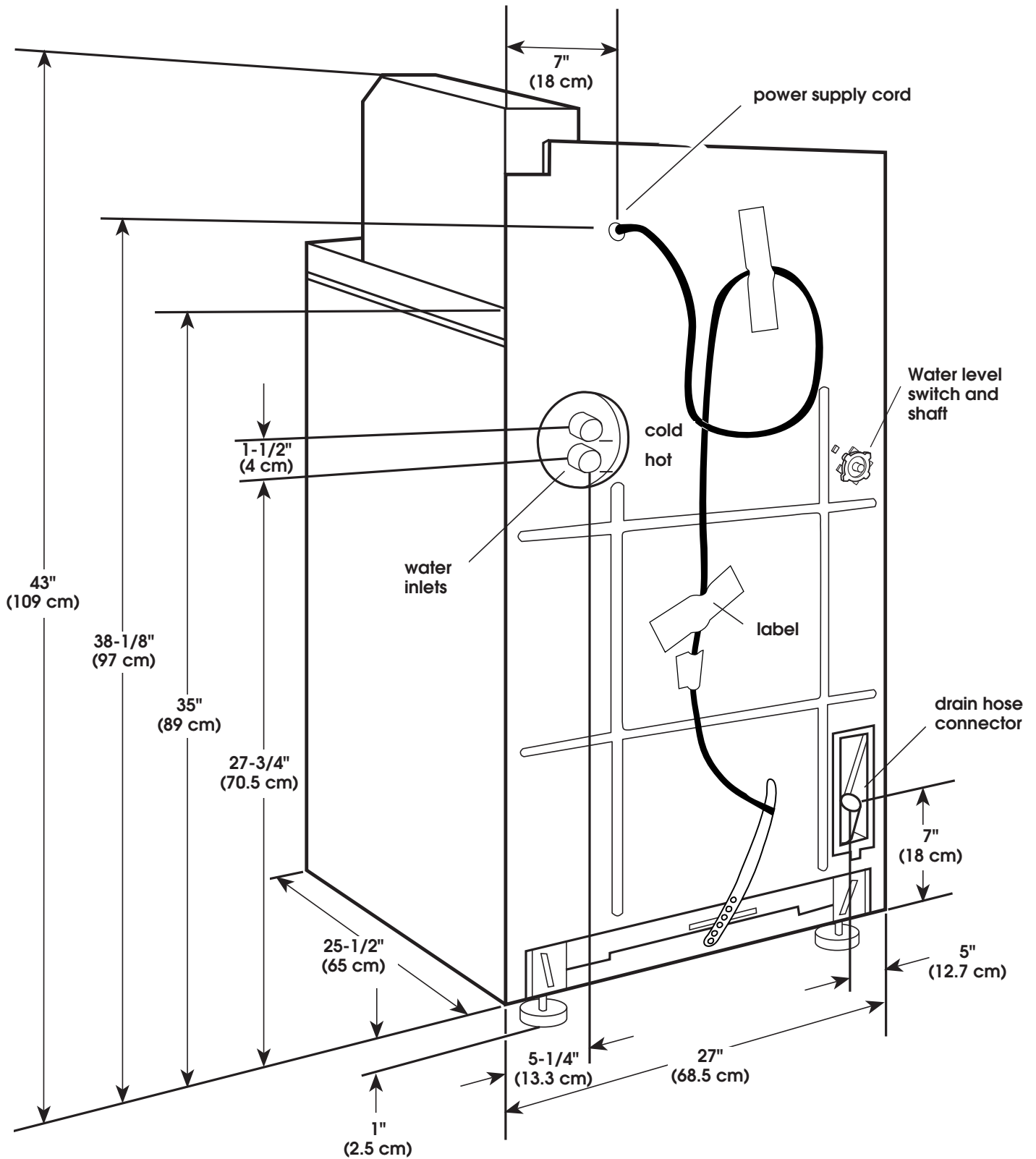
Doing so can result in death, explosion, or fire.

It is recommended that fiberglass items not be washed in coin-operated washers. If these items are washed in the washer, run the washer through a complete cycle to rinse any residue away that might be left in the washer.

Moving the washer to a new location...



- Remove the front legs from the base of the washer.
- Place both rear leveling legs in the upper position and tape securely.
- Apply tape to the side and bottom of the cabinet near the rear.
- Open washer lid, wedge a blanket between the tub ring and the cabinet top restricting the tub movement.
- Handle washer carefully. **Do Not drop washer while using hand truck.**



BY WHIRLPOOL CORPORATION