

PERFORMANCE DATA NO LOAD & NO DOOR OPENINGS AT 37°/0° CONTROL SETTING				
Type A with Run/Start Capacitor	65°F (18°C) Ambient		90°F (32°C) Ambient	
Operating Time	90 to 100%		100%	
Freezer Temperature	-5° to 2° F (-20° to -17° C)		-1° to 3° F (-18° to -16° C)	
Refrigerator Temperature	34° to 39° F (1° to 4° C)		34° to 39° F (1° to 4° C)	
Low Side Pressure	-2 to 6 psig (-14 to 41 kPa)		-2 to 6 psig (-14 to 41 kPa)	
High Side Pressure (last 1/3 cycle)	85 to 105 psig (586 to 724 kPa)		120 to 135 psig (827 to 931 kPa)	
Wattage (last 1/3 cycle)	30 to 50		50 to 70	
Amps (running)	.4 to .8		.7 to .9	
Base Voltage	115 vac (127 vac max)			
DEFROST SPECIFICATIONS				
Cabinet Size	Thermostat		Heater	
	Cut-in	Cut-out	Watts	Ohms
26' & 28' SD, 23' CD	25° F (-4° C)	47° F (8° C)	500	26.5
Electronic Timer - (ADC) Defrost 24 minutes every 6-96 hours of compressor run time.				
CONDENSER FAN MOTOR				
Watts	RPM		Amps	
3.1	1100 CW Opposite Shaft		0.03 Running	
ICE MAKER SPECIFICATIONS				
Electrical	115 vac (127 vac max)			
Thermostat	Opens at 48° F (9° C), Closes at 15° F (-9° C)			
Heater Voltage	85 vac			
ICE MAKER CONNECTOR PLUG CONNECTIONS				
Wire Number	Wire Color	Connects to:		
1	Green/Yellow	Ground		
2	Yellow	Water Valve		
3	Black	Line		
4	Light Blue	Neutral		

SERVICE DATA SHEET

242047002

ICE & WATER - AUTOMATIC DEFROST

BOTTOM FREEZER - R134a

IMPORTANT

PLEASE RETURN THIS SHEET TO IT'S ORIGINAL LOCATION.

Ice Maker Errors Displayed on "UI"			Diagnostic Mode		Note:	See Service Manual for complete description.
ERROR			Test	Activate: Hold FF (+) and FZ (+) for 5 sec.		
None			52C	Ice tray thermistor temperature displayed - OK, OP open, SH short		
			55C	Water valve test		
			57C	Fan test, on or off		
			58C	Ice level sensor switch test		
			63C	Harvest motor system test		
				De-activate: Hold FF (+) for 5 sec.		
System Error Codes Displayed on "UI"			Diagnostic Mode		Note:	See Service Manual for complete description.
ERROR			Test	Activate: FZ (+) and FZ (-) for 5 sec.		
OP or 2		Freezer Sensor OPEN	1	Standard compressor	22	Damper
SH or 3		Freezer Sensor SHORTED	2	Defrost heater	23	Fresh food door
OP or 2		FF Sensor OPEN	3	FF lighting	24	Freezer door
SH or 3		FF Sensor SHORTED	8	Water valve, water disp.	26	Defrost limit switch
SY	EF	Evaporator Fan Circuit	9	FZ lighting	28	Dispenser paddle
SY	CE	Communication error	10	Auger motor	36	Ice door
SY	CF	Communication error	11	Cube/crush solenoid	29	FF Thermistor
			41	Perfect Temp Drawer	30	FZ Thermistor
			12	VCC Condensor fan	33	Ambient Thermistor
			38	VCC Compressor	0-	Software version
	dF	In Manual Defrost (See Note)	15	Evaporator fan		
						De-activate: Hold FF (+) for 5 sec.

IMPORTANT SAFETY NOTE

The information provided herein is designed to assist qualified repair personnel only. Untrained persons should not attempt to make repairs due to the possibility of electrical shock. Disconnect power cord before servicing this appliance.

IMPORTANT

If any green grounding wires are removed during servicing, they must be returned to their original position and properly secured.

NOTE

This product comes equipped with an Adaptive Defrost Control (ADC). To activate manual defrost, simultaneously press and hold the Fresh Food up (+) and Fresh Food down (-) keys for 5 seconds. A "d" in the freezer temperature window and "F" in the refrigerator temperature window will display when the heater is activated. To deactivate manual defrost, simultaneously press and hold the Fresh Food up (+) and Fresh Food down (-) keys for 5 seconds. A "d" and "F" will be displayed until the defrost cycle is complete.

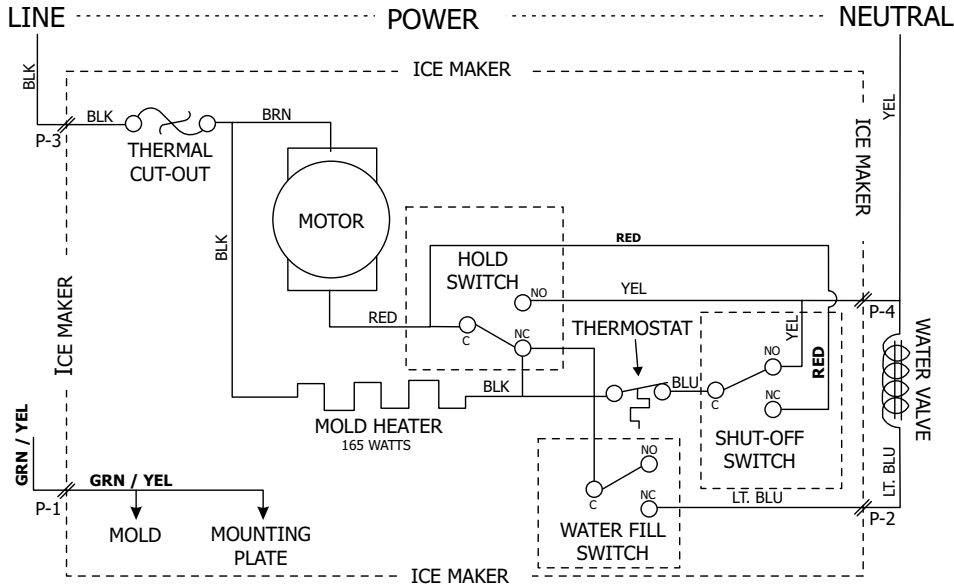
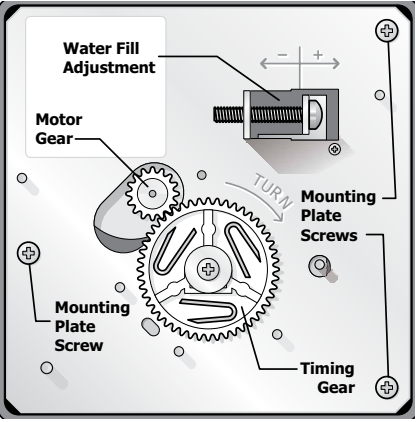
CAUTION

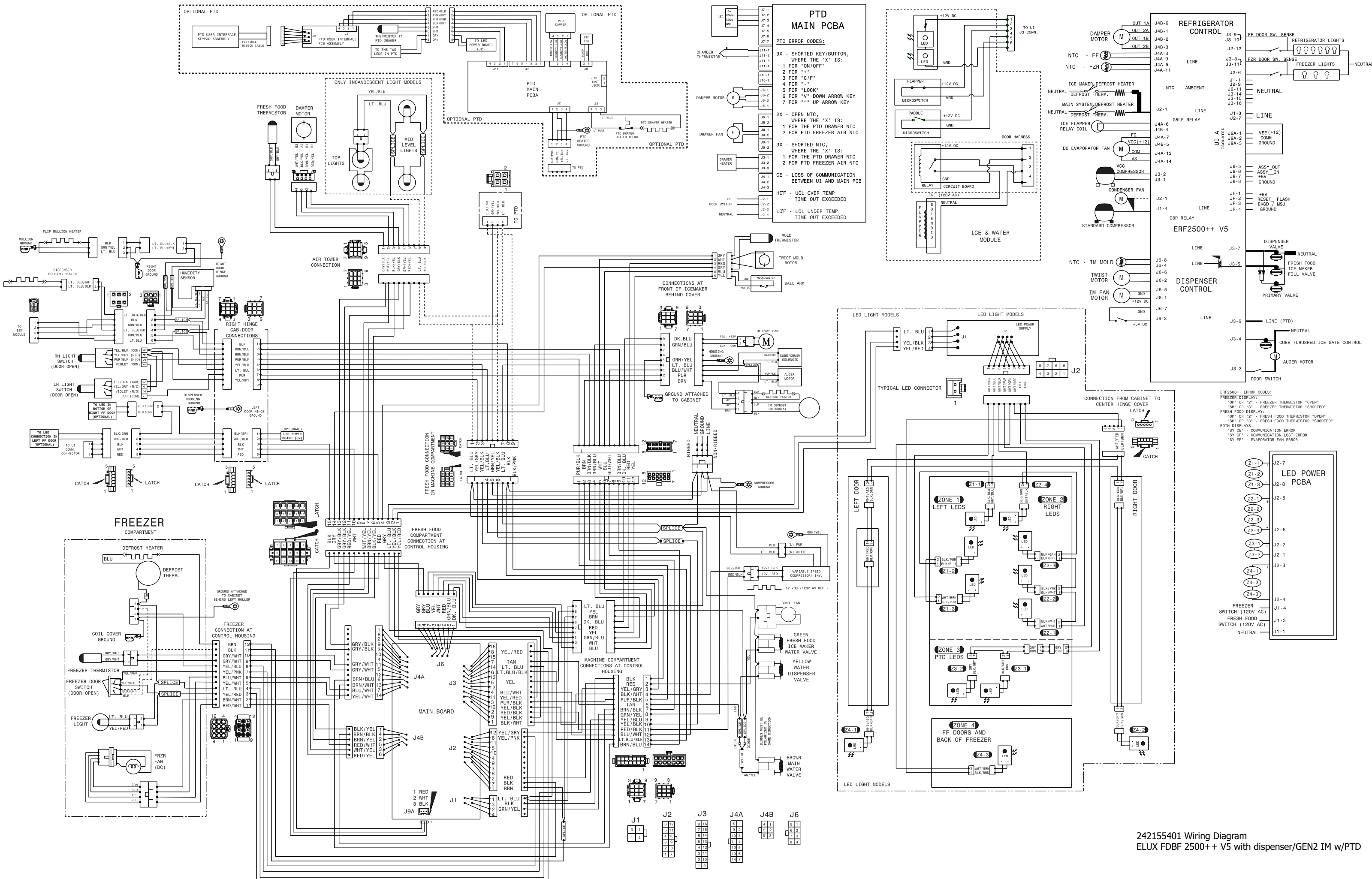
All electrical parts and wiring must be shielded from torch flame. DO NOT allow torch to touch insulation; it will char at 200°F and flash ignite (burn) at 500°F. Excessive heat will distort the plastic liner.

FREEZER ICE MAKER INFORMATION (Where Applicable)

Test Cycling: Remove cover by inserting screwdriver in notch at bottom and prying cover from housing. Use screwdriver to rotate motor gear counterclockwise until holding switch circuit is completed. All components of ice maker should function to complete the cycle.

Water Fill Volume: The water fill adjustment screw will change the fill time. One full turn is equal to 20cc (.68 oz.). The correct fill is 102 to 130cc (3.4 to 4.3 oz.). When a water valve is replaced, the fill volume must be checked.





242155401 Wiring Diagram
ELUX FDBF 2500+ V5 with dispenser/GEN2 IM w/PTD