

# RANGE HOOD

Model Number:	<b>JXT9030CDP</b>	<b>JXT9036CDP</b>	<b>JXT9048CDP</b>
Manufacturer Number:	<b>MK7030</b>	<b>MK7036</b>	<b>MK7048</b>
Size:	<b>30"</b>	<b>36"</b>	<b>48"</b>

# INSTALLATION GUIDE

## TABLE OF CONTENTS

Safety Instructions.....	1
Mounting Heights.....	2
Ducting.....	3
Specifications.....	4
Installation.....	5-7

MK7030  
MK7036  
MK7048



## **INSTALLATION GUIDE**

Read all Instructions before Installing and operating this appliance

MODELS: JXT9030 JXT9036 JXT9048

### **IMPORTANT SAFETY NOTICE**



### **WARNING**

#### **Installation**

The installation in this manual is intended for qualified installers, service technicians or persons with similar qualified background. DO NOT attempt to install this appliance yourself. Injury could result from installing the unit due to lack of appropriate electrical and technical background.

All electrical wiring must be properly installed, insulated and grounded. Overly accumulated grease in old duct work should be cleaned out or duct work should be replaced if necessary to avoid the possibility of a grease fire. Check all joints on duct work to insure proper connection and all joints should be properly taped.

*\* Please check for latest specification revisions before any custom work or cutouts.*

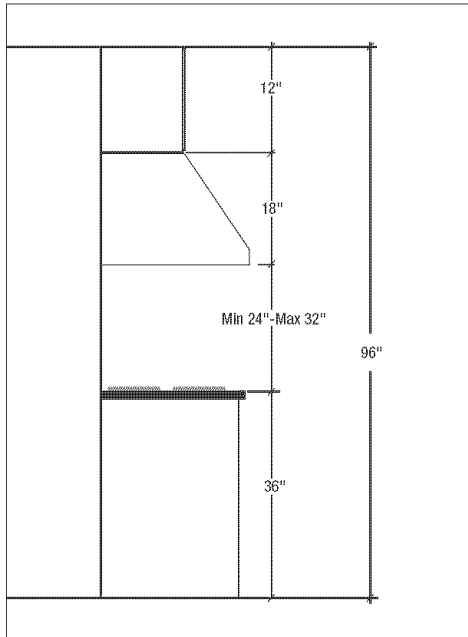
## LIST OF MATERIALS

- 1 - Hood
- 2 - Baffle filters (2-30", 3-36", 4-48")
- 2 - Halogen light bulbs (3-48")
- 1 - Hardware packet containing:
  - 4 - 2" drywall screws
  - 4 - 1 1/2" drywall screws
  - 4 - 1" drywall screws
  - 4 - 1/2" washers
  - 3 - wire connectors

NO DUCTING IS INCLUDED



## MOUNTING HEIGHTS



Minimum mounting height between range top to hood bottom should be no less than 24".

Maximum mounting height should be no higher than 32".

It is important to install the hood at the proper mounting height. Hoods mounted too low could result in heat damage and fire hazard; while hoods mounted too high will be hard to reach and will loose performance and efficiency.

If available, also refer to range manufacturer's height clearance requirements and recommended hood mounting height above range.

## DUCTING

A minimum of 8" round duct must be used to maintain maximum air flow efficiency.

Always use rigid type metal ducts only. Flexible ducts could restrict air flow by up to 50%.

Also use calculation (on right) to compute total available duct run when using elbows, transitions and caps.

ALWAYS, when possible, reduce the number of transitions and turns. If long duct run is required, increase duct size from 8" to 9" or 10". If a reducer is used, install a long reducer instead of a pan-cake reducer. Reduce duct size as far away from opening as possible.

If turns or transitions are required: Install as far away from opening and as far apart, between 2, as possible.

### Minimum Duct Size:

Round:  
8" minimum

### Duct Run Calculation:

Maximum run

8"	100 FT
Calculated Length:	
each 90 Elbow used	15 FT
each 45 elbow used	9 FT
each 8"	
transition used	1 FT
each 3/14 x 10" to 8"	
transition used	5 FT
Side Wall Cap w/ damper	30 FT
Roof Cap	30 FT

*e.g. - 1 roof cap, 2x90 elbows, 1 x 45 elbow used:  
=30' + 30' + 9' =69' used, 31' available for straight duct runs.*

## DUCTING

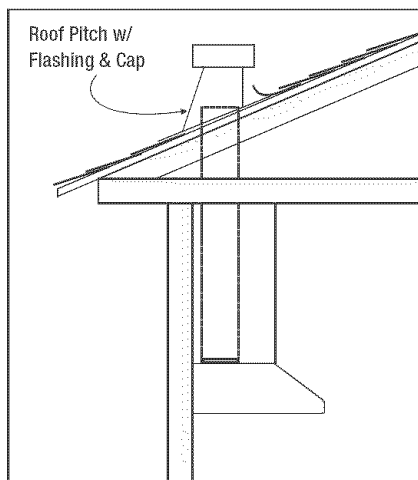
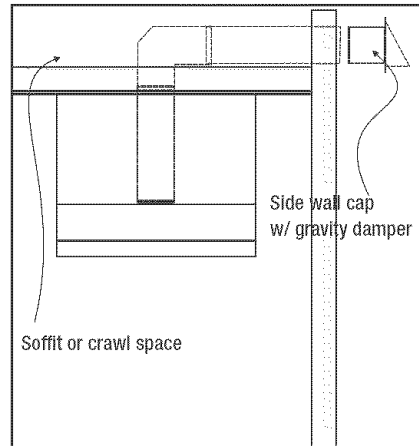
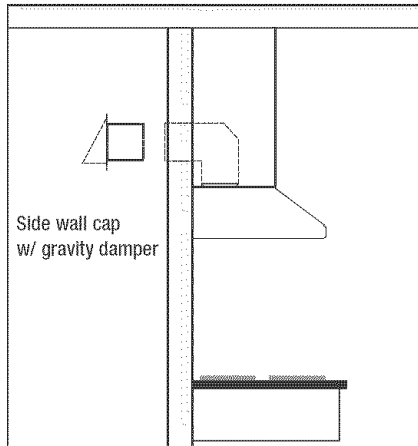
### WARNING FIRE HAZARD

NEVER exhaust air or terminate duct work into spaces between walls, crawl spaces, ceiling, attics or garages. All exhaust must be ducted to the outside.

Use Metal ductwork only.

Fasten all connections with sheet metal screws and tape all joints w/ certified Silver Tape or DuctTape.

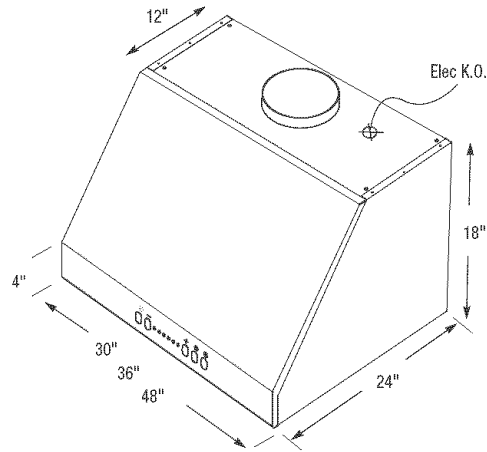
Some Ducting Options:



# INSTALLATION

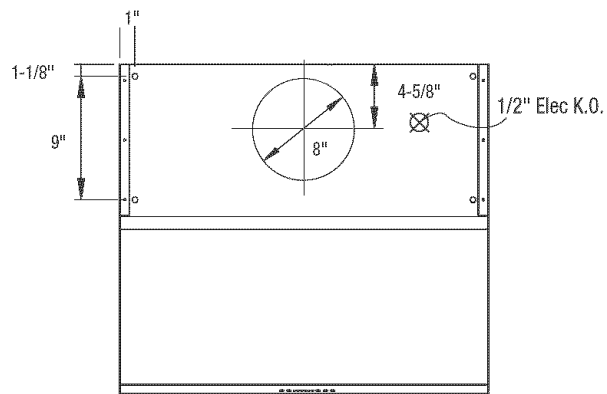
# 4

## SPECIFICATIONS



### Position of electrical knockout

30"	13 3/4" from the right 1 3/4" from the front
36"	3 7/32" from the right 4 23/32" from the back
48"	4 3/8" from the right 4 23/32" from the back



TOP VIEW

## MOUNTING THE RANGEHOOD

---

### ELECTRICAL

#### **WARNING**

All Electrical work must be performed by qualified electrician or person with similar technical know how and background.

For personal safety, remove house fuse or open circuit breaker before beginning installation.  
Do not use extension cord or adapter plug with this appliance.

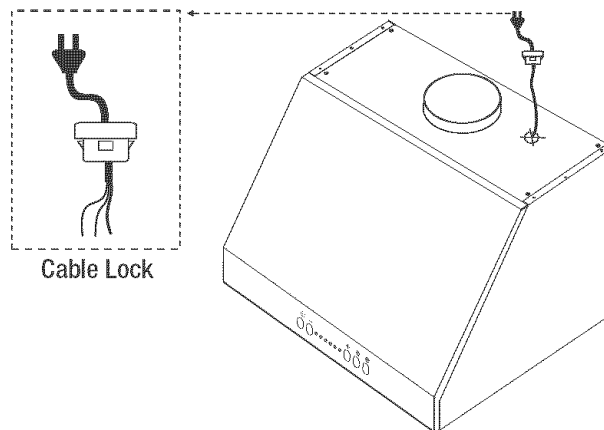
Follow National electrical codes or prevailing local codes and ordinances.

#### Electrical Supply:

This appliance requires a 120V 60Hz electrical supply, connected to an individual, properly grounded branch circuit, protected by a 15 or 20 ampere circuit breaker or time delay fuse. Wiring must be 2 wire w/ ground. Please also refer Electrical Diagram labeled on product.

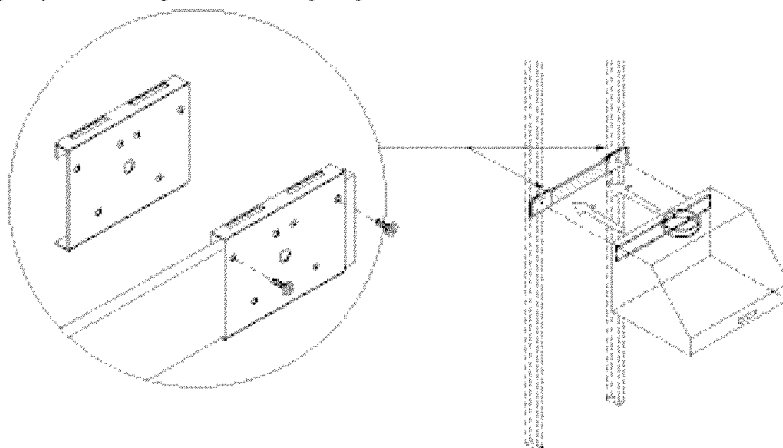
#### Cable Lock:

A cable locking connector (not supplied) might also required by local codes. Check with local requirements and codes, purchase and install appropriate connector if necessary.

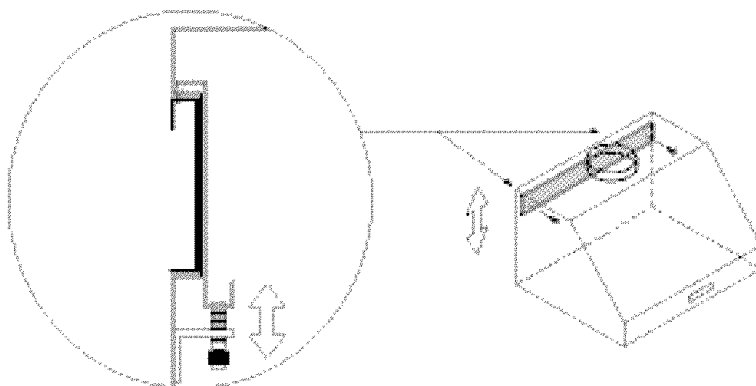


## MOUNTING THE RANGEHOOD

1. Begin by determining hood mounting height on wall.



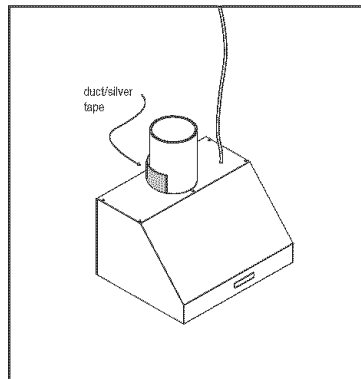
2. Level and mount the wood panel onto the wall at the appropriate height and secure it to the studs. This wood panel should be 1/2" x 3" and the width will either be 29", 35" or 47" depending on the width of the hood. Measure the distance between the wall mounting brackets and fasten them onto the wood panel. Refer to the diagram for how the brackets attach to the panel. Make sure they will line up with the brackets on the back of the hood. Lift the hood and hang it onto the brackets.
3. Temporarily remove the baffle filters from hood, and level hood by adjusting the metal brackets located inside of the hood. (Note: there is approximately 10cm total adjustability up and down). These brackets are adjusted by a screw that can be easily turned with your fingers. There is one on each side on the inside back wall of the hood. After ensuring that the hood is level, completely tighten the screws to secure the hood to the wall.
4. After the hood is attached to the mounting brackets, you may further secure it by screwing two screws into the wall from the inside of the hood. There are two screw holes near the bottom that you can use as a guide.





## MOUNTING THE RANGEHOOD

5. Install electrical.
6. Install duct work and tape all joints.
7. Power up hood and check for leaks around duct joints, and if necessary apply more duct tape.



8. Install optional duct cover and/or backsplash. Note that the duct cover and backsplash are sold separately.
9. Reinstall the baffle filters.

