

30" GAS RANGE INSTALLATION INSTRUCTIONS

(For Models with Sealed Top Burners)

INSTALLATION AND SERVICE MUST BE PERFORMED BY A QUALIFIED INSTALLER.
 IMPORTANT: SAVE FOR LOCAL ELECTRICAL INSPECTOR'S USE.
 READ AND SAVE THESE INSTRUCTIONS FOR FUTURE REFERENCE.



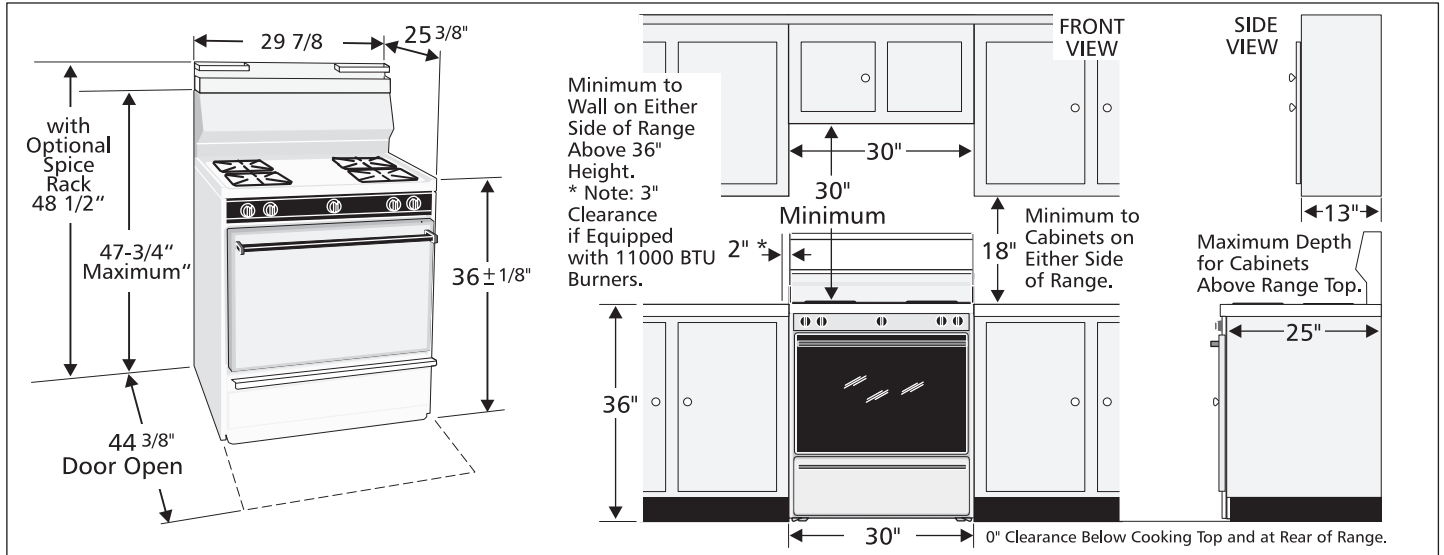
⚠ WARNING If the information in this manual is not followed exactly, a fire or explosion may result causing property damage, personal injury or death.

FOR YOUR SAFETY:

- Do not store or use gasoline or other flammable vapors and liquids in the vicinity of this or any other appliance.
- **WHAT TO DO IF YOU SMELL GAS:**
 - Do not try to light any appliance.
 - Do not touch any electrical switch; do not use any phone in your building.
 - Immediately call your gas supplier from a neighbor's phone. Follow the gas supplier's instructions.
 - If you cannot reach your gas supplier, call the fire department.
- Installation and service must be performed by a qualified installer, service agency or the gas supplier.

⚠ WARNING

- ALL RANGES CAN TIP.
- INJURY TO PERSONS COULD RESULT.
- INSTALL ANTI-TIP DEVICE PACKED WITH RANGE.
- SEE INSTALLATION INSTRUCTIONS.



Clearances and Dimensions

1. **Location—Check location where the range will be installed.** Check for proper electrical and gas supply, and the stability of the floor.
2. **Dimensions that are shown must be used.** Given dimensions provide minimum clearance. Contact surface must be solid and level.

Provide Proper Fuel Type

Before Proceeding: Your range is preset to operate on natural gas only. Some models are shipped convertible with parts and conversion instructions supplied. Other models have a LP/Propane Conversion Kit available through your dealer.

For models equipped with 4-9,000 BTU surface burners order kit #80-8802-10. For models equipped with 2-9,000 BTU and 2-11,000 BTU surface burners order kit 80-8904-10. For models equipped with 3-9,000 BTU and 1-11,000 BTU surface burners order kit #80-8809-10.

⚠ CAUTION DO NOT attempt to convert this range to LP/Propane settings without the proper LP/Propane conversion kit provided with the range or obtained from your dealer. Follow all instructions provided with the conversion kit.

30" GAS RANGE INSTALLATION INSTRUCTIONS

(For Models with Sealed Top Burners)

Important Notes to the Installer

1. Read all instructions contained in these installation instructions before installing range.
2. Remove all packing material from the oven compartments before connecting the gas and electrical supply to the range.
3. Observe all governing codes and ordinances.
4. Be sure to leave these instructions with the consumer.

Important Note to the Consumer

1. Keep these instructions with your owner's guide for future reference.

IMPORTANT SAFETY INSTRUCTIONS

Installation of this range must conform with local codes or, in the absence of local codes, with the National Fuel Gas Code ANSI Z223.1—latest edition when installed in the United States. When installed in Canada, installation must conform with CAN/CGA-B149.1 and CAN/CGA-B149.2.

This range has been design certified by CSA International. As with any appliance using gas and generating heat, there are certain safety precautions you should follow. You will find them in the Owner's Guide, read it carefully.

- Be sure your range is installed and grounded properly by a qualified installer or service technician.
- This range must be electrically grounded in accordance with local codes or, in their absence, with the National Electrical Code ANSI/NFPA No .70—latest edition when installed in the United States. When installed in Canada, this range must be electrically grounded in accordance with CSA Standard C22.1, Canadian Electrical Code, Part 1. See Grounding Instructions on page 5.
- Before installing the range in an area covered with linoleum or any other synthetic floor covering, make sure the floor covering can withstand heat at least 90°F above room temperature without shrinking, warping or discoloring. Do not install the range over carpeting unless you place an insulating pad or sheet of 1/4-inch thick plywood between the range and carpeting.
- Make sure the wall coverings around the range can withstand the heat generated by the range.
- Do not obstruct the flow of combustion air at the oven vent nor around the base or beneath the lower front panel of the range. Avoid touching the vent openings or nearby surfaces as they may become hot while the oven is in operation. This range requires fresh air for proper burner combustion.

⚠ WARNING Never leave children alone or unattended in the area where an appliance is in use. As children grow, teach them the proper, safe use of all appliances. Never leave the oven door open when the range is unattended.

⚠ WARNING Stepping, leaning or sitting on the doors or drawers of this range can result in serious injuries and can also cause damage to the range.

- Do not store items of interest to children in the cabinets above the range. Children could be seriously burned climbing on the range to reach items.
- To eliminate the need to reach over the surface burners, cabinet storage space above the burners should be avoided.
- Adjust surface burner flame size so it does not extend beyond the edge of the cooking utensil. Excessive flame is hazardous.
- Do not use the oven as a storage space. This creates a potentially hazardous situation.
- Never use your range for warming or heating the room. Prolonged use of the range without adequate ventilation can be dangerous.
- Do not store or use gasoline or other flammable vapors and liquids near this or any other appliance. Explosions or fires could result.
- Reset all controls to the "off" position after using a programmable timing operation.

FOR MODELS WITH SELF-CLEAN FEATURE:

- Remove broiler pan, food and other utensils before self-cleaning the oven. Wipe up excess spillage. Follow the precleaning instructions in the Owner's Guide.
- Unlike the standard gas range, **THIS COOKTOP IS NOT REMOVABLE**. Do not attempt to remove the cooktop.

⚠ WARNING DO NOT MAKE ANY ATTEMPT TO OPERATE THE ELECTRIC IGNITION OVEN DURING AN ELECTRICAL POWER FAILURE. RESET ALL OVEN CONTROLS TO "OFF" IN THE EVENT OF A POWER FAILURE.

The electric ignitor will automatically re-ignite the oven burner when power resumes if the oven thermostat control was left in the "ON" position.

When an electrical power failure occurs during use, the surface burners will continue to operate.

During a power outage, the surface burners can be lit with a match. Hold a lighted match to the burner, then slowly turn the knob to the LITE position. Use extreme caution when lighting burners this way.



30" GAS RANGE INSTALLATION INSTRUCTIONS

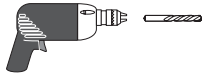
(For Models with Sealed Top Burners)

Before Starting

Tools You Will Need

For leveling legs and Anti-Tip Bracket:

- Adjustable wrench or channel lock pliers 
- 5/16" Nutdriver or Flat Head Screw Driver 
- Electric Drill & 1/8" Diameter Drill Bit (5/32" Masonry Drill Bit if installing in concrete)



For gas supply connection:

- Pipe wrench 

For burner flame adjustment:

- Phillips head  and blade-type screwdrivers 

For gas conversion (LP/Propane or Natural):

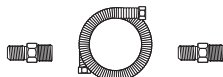
- Open end wrench - 1/2" 

Additional Materials You Will Need

- Gas line shut-off valve 
- Pipe joint sealant that resists action of LP/Propane gas



- A new flexible metal appliance conduit (1/2" NPT x 3/4" or 1/2" I.D.) must be design certified by CSA International. Because solid pipe restricts moving the range we recommend using a new flexible conduit (4 to 5 foot length) for each new installation and additional reinstallations.



- Always use the (2) new flare union adapters (1/2" NPT x 3/4" or 1/2" I.D.) supplied with the new flexible appliance conduit for connection of the range.

Normal Installation Steps

1. Anti-Tip Bracket Installation Instructions

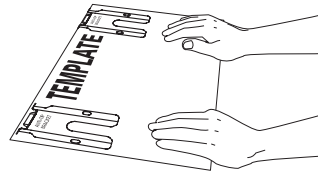
Important Safety Warning

To reduce the risk of tipping of the range, the range must be secured to the floor by properly installed anti-tip bracket and screws packed with the range. Failure to install the anti-tip bracket will allow the range to tip over if excessive weight is placed on an open door or if a child climbs upon it. Serious injury might result from spilled hot liquids or from the range itself.

If range is ever moved to a different location, the anti-tip brackets must also be moved and installed with the range.

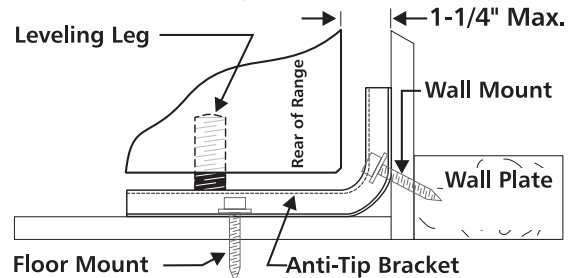
Instructions are provided for installation in wood or cement fastened to either the floor or wall. When installed to the wall, make sure that screws completely penetrate dry wall and are secured in wood or metal. When fastening to the floor or wall, be sure that screws do not penetrate electrical wiring or plumbing.

- A. **Locate the Bracket Using the Template** - (Bracket may be located on either the left or right side of the range. Use the information below to locate the bracket if template is not available). Mark the floor or wall where left or right side of the range will be located. If rear of range is against the wall or no further than 1-1/4" from wall when installed, you may use the wall or floor mount method. If molding is installed and does not allow the bracket to fit flush against the wall, remove molding or mount bracket to the floor. For wall mount, locate the bracket by placing the back edge of the template against the rear wall and the side edge of template on the mark made referencing the side of the range. Place bracket on top of template and mark location of the screw holes in wall. If rear of range is further than 1-1/4" from the wall when installed, attach bracket to the floor. For floor mount, locate the bracket by placing back edge of the template where the rear of the range will be located. Mark the location of the screw holes, shown in template.

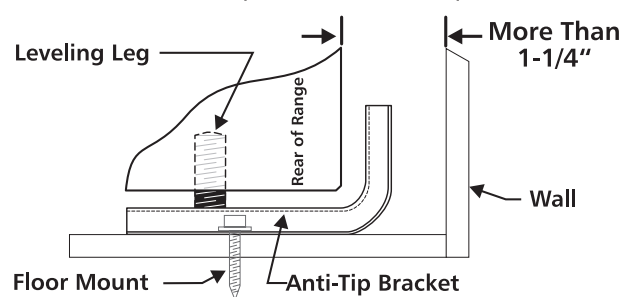


- B. **Drill Pilot Holes and Fasten Bracket** - Drill a 1/8" pilot hole where screws are to be located. If bracket is to be mounted to the wall, drill pilot hole at an approximate 20° downward angle. If bracket is to be mounted to masonry or ceramic floors, drill a 5/32" pilot hole 1-3/4" deep. The screws provided may be used in wood or concrete material. Use a 5/16" nut-driver or flat head screwdriver to secure the bracket in place.

FASTEN BRACKET (WALL OR FLOOR MOUNTING)



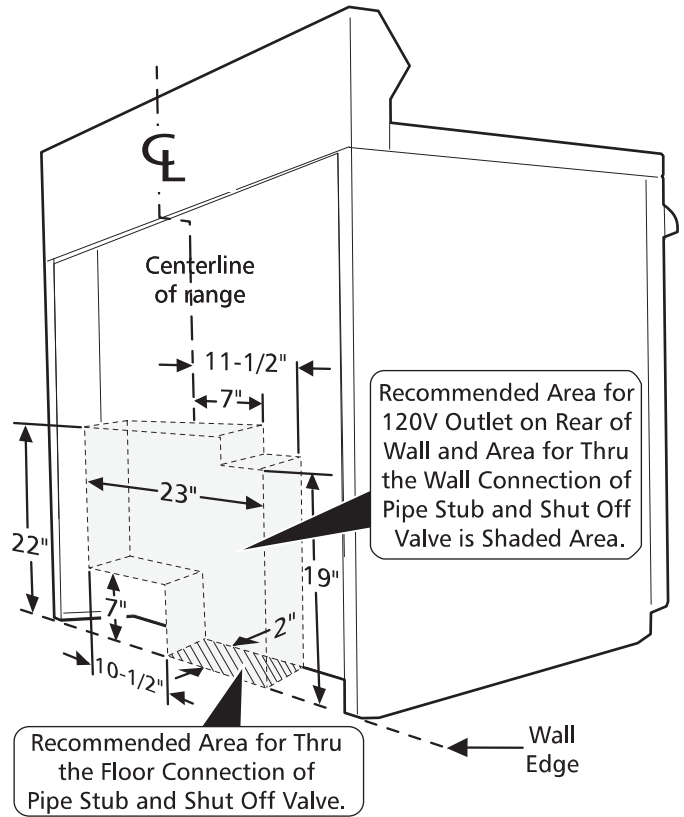
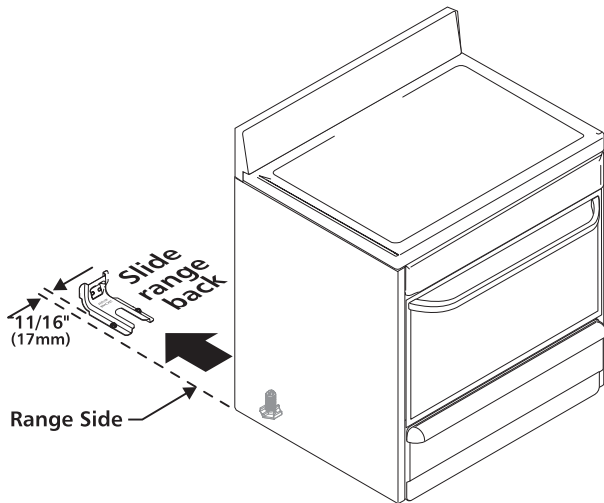
FASTEN BRACKET (FLOOR MOUNTING ONLY)



30" GAS RANGE INSTALLATION INSTRUCTIONS

(For Models with Sealed Top Burners)

C. Level and Position Range - Level range by adjusting the (4) leveling legs with a wrench. Note: A minimum clearance of 1/8" is required between the bottom of the range and the leveling leg to allow room for the bracket. Use a spirit level to check your adjustments. Slide range back into position. Visually check that rear leveling leg is inserted into and fully secured by the Anti-Tip Bracket by removing lower panel or storage drawer. For models with a warmer drawer or broiler compartment, grasp the top rear edge of the range and carefully attempt to tilt it forward.



2. Provide an adequate gas supply.

This unit is pre-set to operate on 4" natural gas manifold pressure. A convertible pressure regulator is connected to the manifold and **MUST** be connected in series with the gas supply line. If the LP/Propane conversion kit has been used, follow instructions provided with the kit for converting the pressure regulator to LP/Propane use.

Care must be taken during installation of range not to obstruct the flow of combustion and ventilation air.

For proper operation, the maximum inlet pressure to the regulator should be no more than 14 inches of water column pressure. The inlet pressure to the regulator must be at least 1 inch greater than regulator manifold pressure. Examples: If regulator is set for natural gas 4 inch manifold pressure, inlet pressure must be at least 5 inches; if regulator has been converted for LP/Propane gas 10 inch manifold pressure, inlet pressure must be at least 11 inches.

Leak testing of the appliance shall be conducted according to the instructions in step 4g.

The gas supply line should be 1/2" or 3/4" I.D.

3. Seal the openings.

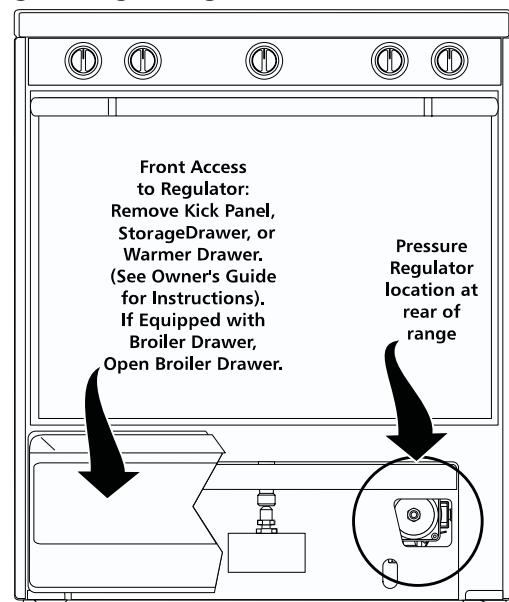
Seal any openings in the wall behind the range and in the floor under the range after gas supply line is installed.

4. Connect the range to the gas supply.

To prevent leaks, put a pipe joint sealant on all male (outside) pipe threads.

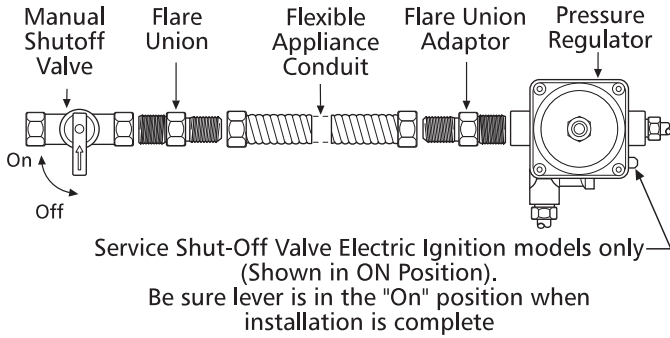
Your regulator is in the location shown below.

⚠ CAUTION Do not allow regulator to turn on pipe when tightening fittings.



30" GAS RANGE INSTALLATION INSTRUCTIONS

(For Models with Sealed Top Burners)



- Install an external manual gas shut-off valve to gas supply line in an easily-accessible location outside of the range. Be sure you know how and where to shut-off the gas supply to the range.
- Install 1/2" flare union adaptor to pressure regulator.
- Attach appliance conduit to flare union on regulator.
- Install flare union adaptor to external manual shut-off valve.
- Attach appliance conduit to flare union on shut-off valve.
- Make sure service shut-off valve on pressure regulator is in "ON" position.
- Check for leaks. Turn the gas supply on to the range and use a liquid leak detector at all joints and conduits to check for leaks in the system.

⚠ WARNING Do not use a flame to check for gas leaks.

Checking Manifold Gas Pressure

Disconnect the range and its individual shut-off valve from the gas supply piping system during any pressure testing of that system at test pressures greater than 14" of water column pressure (approximately 1/2" psig).

The appliance must be isolated from the gas supply piping system by closing its individual manual shut-off valve during any pressure testing of the gas supply piping system at test pressures equal to or less than 14" of water column pressure (approximately 1/2" psig).

If it should be necessary to check the manifold gas pressure, connect manometer (water gauge) or other pressure device to the top burner right rear orifice. Using a rubber hose with inside diameter of approximately 1/4," hold tubing down tight over orifice. Turn burner valve on.

For an accurate pressure check have at least two (2) other top burners burning. Be sure the gas supply (inlet) pressure is at least one inch above specified range manifold pressure. The gas supply pressure should never be over 14" water column. When properly adjusted for Natural Gas the manifold pressure is 4." (For LP/Propane Gas the manifold pressure is 10.")

5. Read electrical connection details below and connect electricity to range.

⚠ WARNING Before servicing, disconnect electrical supply at circuit breaker, fuse or power cord.

Electric Requirements: An individual, properly grounded and polarized branch circuit protected by a 15 amp. circuit breaker or time delay fuse. See serial plate for proper voltage.

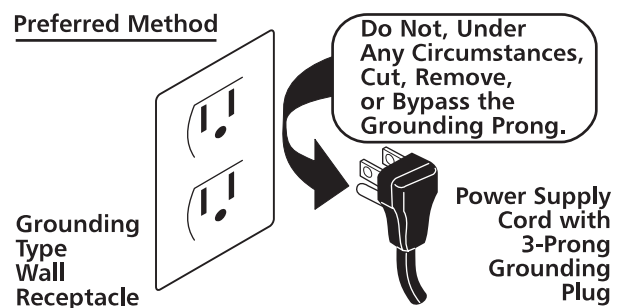
Extension Cord Precautions:

Because of potential safety hazards under certain conditions, we strongly recommend against the use of any extension cord. However, if you still elect to use an extension cord, it is absolutely necessary that it be a UL listed 3-wire grounding type appliance extension cord and that the current carrying rating of the cord in amperes be equivalent to or greater than the branch circuit rating. Such extension cords are obtainable through your local service organization.

⚠ WARNING PLEASE READ CAREFULLY! For personal safety, this product must be properly grounded.

Grounding Instructions

The power cord of this appliance is equipped with a 3-prong (grounding) plug which mates with a standard 3-prong grounding wall receptacle to minimize the possibility of electric shock hazard from this appliance. The customer should have the wall receptacle and circuit checked by a qualified electrician to make sure the receptacle is properly grounded and polarized.



Where a standard two-prong wall receptacle is encountered, it is the personal responsibility and obligation of the customer to have it replaced with a properly grounded three-prong wall receptacle.

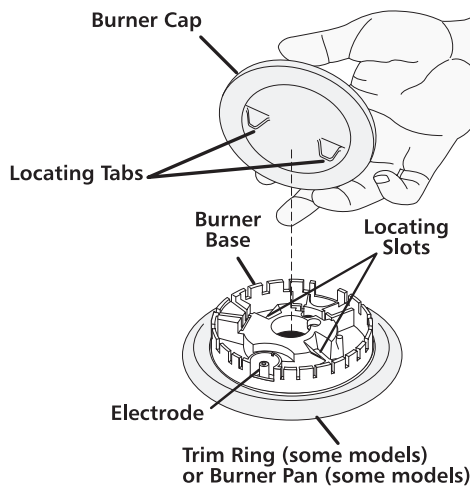
DO NOT, UNDER ANY CIRCUMSTANCES, CUT OR REMOVE THE THIRD (GROUND) PRONG FROM THE POWER CORD.

30" GAS RANGE INSTALLATION INSTRUCTIONS

(For Models with Sealed Top Burners)

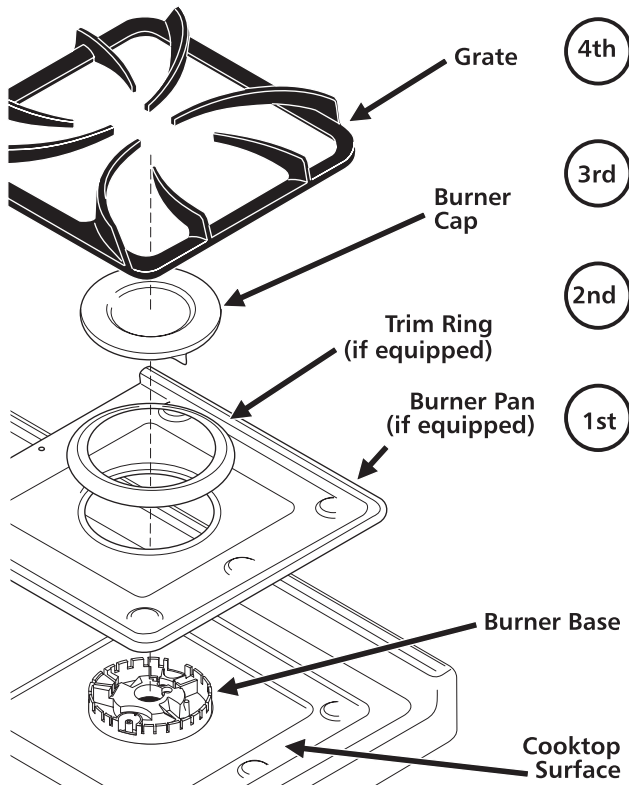
Operation of Surface Burners

This range is equipped with sealed burners as shown below.



6. Installation of Burner Cap Assembly

Your range may be equipped with either trim rings or burner pans, or trim rings and burner pans. Install pans (some models) and trim rings (some models) as follows:

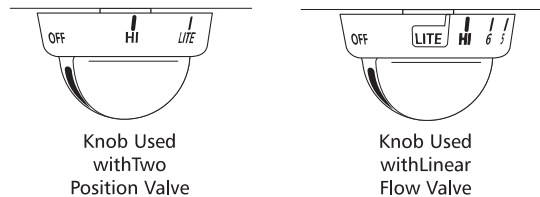


7. Electric Ignition Surface Burners

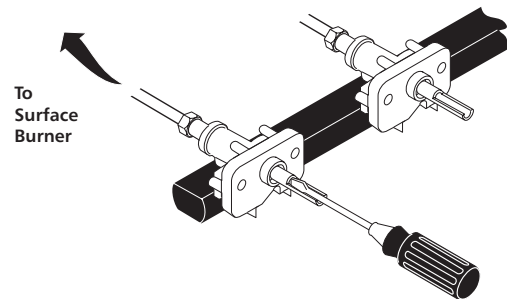
Operation of electric igniters should be checked after range and supply line connectors have been carefully checked for leaks and range has been connected to electric power. The surface burner gas valves have detent positions in both the **Off** and **LITE** positions. The knob must be pushed in to rotate the knob past these detent positions.

- To check for proper lighting, **push in and turn** a surface burner knob to the **LITE** position. You will hear the igniter sparking.
- The surface burner should light when gas is available to the top burner. Purge air from supply lines by leaving knob in the **LITE** position until burner ignites. Each burner should light within four (4) seconds in normal operation after air has been purged from supply lines.
- Visually check that burner has lit. Once the burner lights, the control knob should be **pushed in and turned** out of the **LITE** position.
- There are separate electrodes (igniters) for each burner. Try each knob separately until all burner valves have been checked.

Note: Knob styles may vary from those pictured below.



8. Adjust the "LOW" Setting of Surface Burner Valve (Linear Flow Valves Only):



Test to verify if "LOW" setting should be adjusted

- Push in and turn control to **LITE** until burner ignites.
- Push in and quickly turn knob to LOWEST POSITION.**
- If burner goes out, reset control to **OFF**.
- Remove the surface burner control knob.
- Insert a thin-bladed screwdriver into the hollow valve stem and engage the slotted screw inside. Flame size can be increased or decreased with the turn of the screw. Turn counterclockwise to increase flame size. Turn clockwise to decrease flame size.

Adjust flame until you can quickly turn knob from **LITE** to **LOWEST POSITION** without extinguishing the flame. Flame should be as small as possible without going out.

Note: Air mixture adjustment is not required on surface burners.

30" GAS RANGE INSTALLATION INSTRUCTIONS

(For Models with Sealed Top Burners)

Operation of Oven Burners and Oven Adjustments

9. Electric Ignition Burners

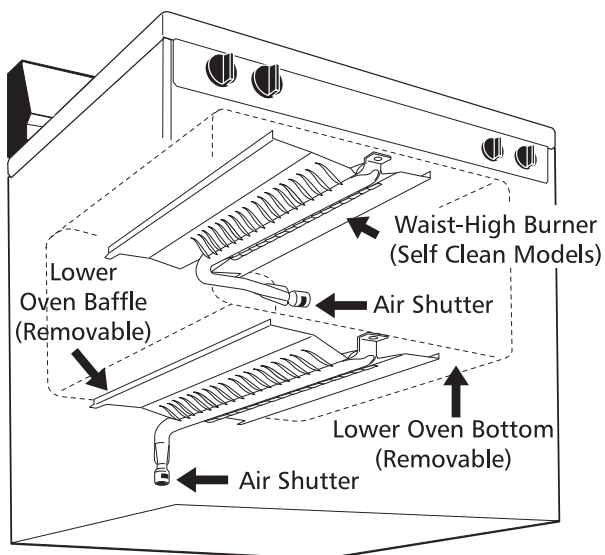
Operation of electric igniters should be checked after range and supply line connectors have been carefully checked for leaks and range has been connected to electric power.

The oven burner is equipped with an electric control system as well as an electric oven burner igniter. If your model is equipped with a waist-high broil burner, it will also have an electric burner igniter. These control systems require no adjustment. When the oven is set to operate, current will flow to the igniter. It will "glow" similar to a light bulb. When the igniter has reached a temperature sufficient to ignite gas, the electrically controlled oven valve will open and flame will appear at the oven burner. There is a time lapse from 30 to 60 seconds after the thermostat is turned ON before the flame appears at the oven burner. When the oven reaches the dial setting, the glowing igniter will go off. The burner flame will go "out" in 20 to 30 seconds after the igniter goes "OFF." To maintain any given oven temperature, this cycle will continue as long as the dial (or display) is set to operate.

After removing all packing materials and literature from the oven:

- Set oven to BAKE at 300°F. See Owner's Guide for operating instructions.
- Within 60 seconds the oven burner should ignite. Check for proper flame, and allow the burner to cycle once. Reset controls to off.
- If your model is equipped with a waist-high broiler, set oven to BROIL. See Owner's Guide for operating instructions.
- Within 60 seconds the broil burner should ignite. Check for proper flame. Reset controls to off.

10. Air Shutter-Oven Burner



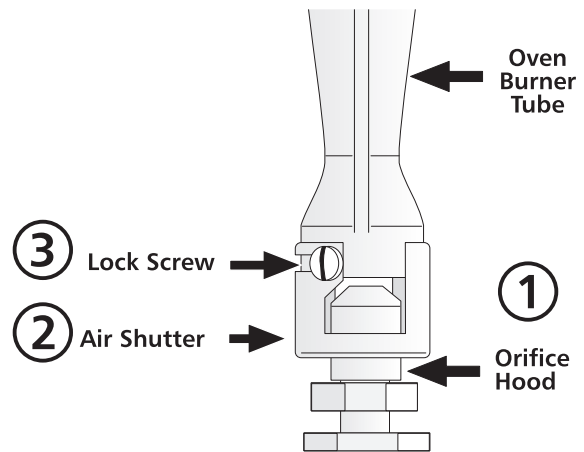
The approximate flame length of the oven burner is 1 inch (distinct inner, blue flame).

To determine if the oven burner flame is proper, remove the oven bottom and burner baffle and set the oven to bake at 300°F.

To remove the oven bottom, remove oven hold down screws at rear of oven bottom. Pull up at rear, disengage front of oven bottom from oven front frame, and pull the oven bottom out of the oven. Remove burner baffle so that the burner flame can be observed.

If the flame is yellow in color, increase air shutter opening size. (See "2" in illustration below.) If the flame is a distinct blue, reduce the air shutter opening size.

To adjust loosen lock screw (see "3" illustration below), reposition air shutter, and tighten lock screw. Replace oven bottom.



11. Air Shutter-Broil Burner (if equipped)

The approximate flame length of the broil burner is 1 inch (distinct inner, blue flame).

To determine if the broil burner flame is proper, set the oven to broil.

If the flame is yellow in color, increase air shutter opening size. (See "2" in illustration above.) If the flame is a distinct blue, reduce the air shutter opening size.

To adjust, loosen lock screw (see "3" in illustration above), reposition air shutter, and tighten lock screw.

30" GAS RANGE INSTALLATION INSTRUCTIONS

(For Models with Sealed Top Burners)

12. Make Sure Range is Level.

Level the range by placing a level horizontally on an oven rack. Check diagonally from front to back, then level the range by either adjusting the leveling legs or by placing shims under the corners of the range as needed.

13. After installation is complete, make sure all controls are left in the OFF position.

Model and Serial Number Location

For porcelain enamel ovens, the serial plate is located on the right-hand surface of the oven front frame in the broiler or storage drawer area.

For continuous clean ovens, the serial plate is located on the right front edge of the floor shield located in the broiler compartment.

When ordering parts for or making inquiries about your range, always be sure to include the model and serial numbers and a lot number or letter from the serial plate on your range.

Your serial plate also tells you the rating of the burners, the type of fuel and the pressure the range was adjusted for when it left the factory.

Before You Call for Service

Read the Avoid Service Checklist and operating instructions in your Owner's Guide. It may save you time and expense. The list includes common occurrences that are not the result of defective workmanship or materials in this appliance.

Refer to the warranty in your Owner's Guide for our toll-free service number and address. Please call or write if you have inquiries about your range product and/or need to order parts.

Care, Cleaning and Maintenance

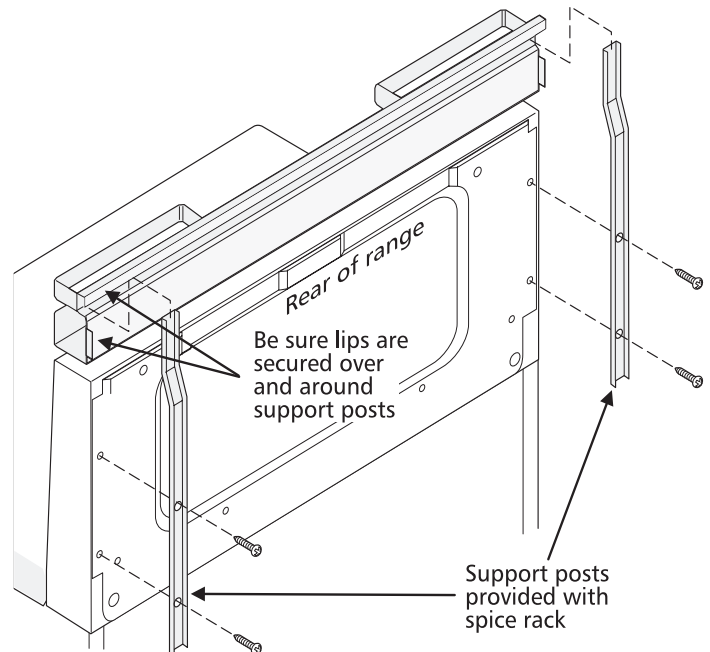
Refer to the Owner's Guide for cleaning instructions.

If removing the range is necessary for cleaning or maintenance, shut off gas supply. Disconnect the gas and electrical supply. If the gas or electrical supply is inaccessible, lift the unit slightly at the front and pull out away from the wall. Pull only as far as necessary to disconnect the gas and electrical supply. Finish removing the unit for servicing and cleaning. Reinstall in reverse order making sure to level the range and check gas connections for leaks. See page 3, step 1 for proper anchoring instructions.

Optional Spice Rack

Some models are equipped with an optional spice rack. Follow the instructions below for installation:

- Using a 1/4" nutdriver or Phillips screwdriver, remove four (4) screws from rear of range as shown in diagram below.
- Using these four (4) screws, attach two (2) support posts (provided) to rear of range.
- Set rack on support posts and make sure rear end flanges are around support posts as shown.



NOTICE D'INSTALLATION DE LA CUISINIÈRE AU GAZ DE 76,2 CM (30 PO)

(Pour les modèles pourvus de brûleurs de surface scellés)

L'INSTALLATION ET LES RÉPARATIONS DOIVENT ÊTRE EFFECTUÉES PAR UN TECHNICIEN QUALIFIÉ.
IMPORTANT : CONSERVER CETTE NOTICE POUR L'INSPECTEUR D'INSTALLATIONS ÉLECTRIQUES DE LA LOCALITÉ.

LIRE ET CONSERVER CETTE NOTICE POUR RÉFÉRENCE FUTURE.



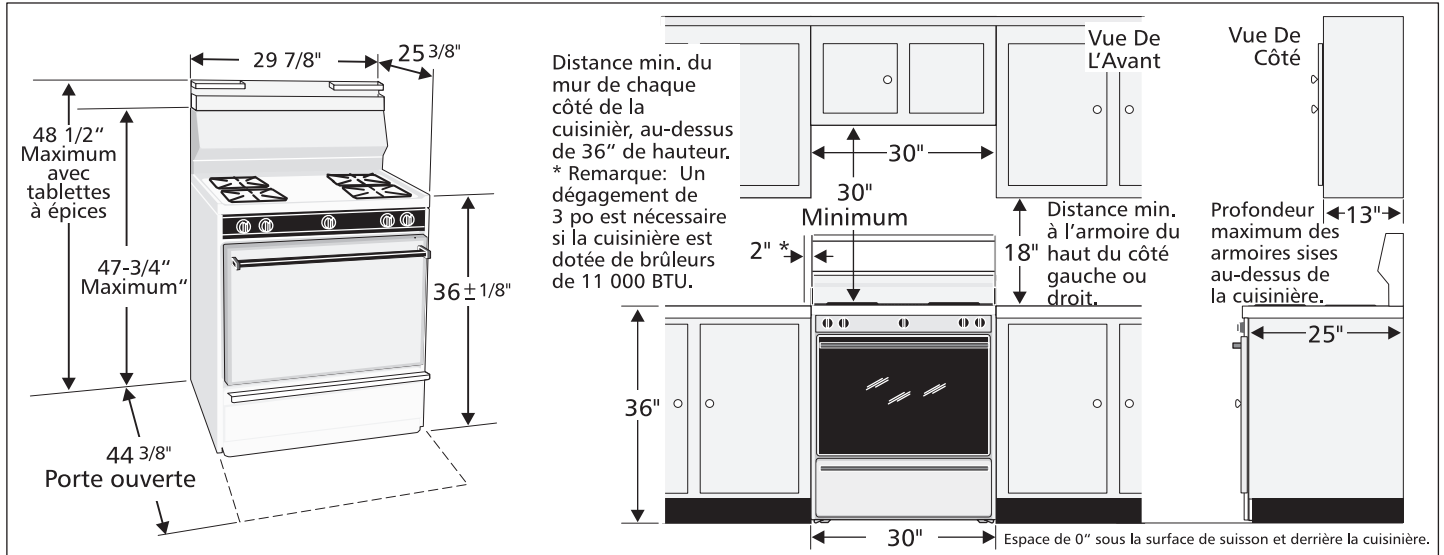
AVERTISSEMENT Toute dérogation aux directives données dans cette notice peut entraîner des risques d'incendie, d'explosion, de dommages matériels, de blessures ou de mort.

POUR VOTRE SÉCURITÉ :

- Ne pas entreposer ni utiliser d'essence ou d'autre vapeurs ou liquides inflammables à proximité de cette cuisinière ou de tout autre appareil électroménager.
- QUE FAIRE S'IL Y A UNE ODEUR DE GAZ
 - N'allumer aucun appareil électrique.
 - Ne toucher aucun commutateur électrique; ne pas utiliser le téléphone dans l'immeuble.
 - Appeler la compagnie de gaz immédiatement en utilisant le téléphone d'un voisin. Suivre les instructions de la compagnie de gaz.
 - S'il est impossible de joindre la compagnie de gaz, appeler les pompiers.
- L'installation et les réparations doivent être effectuées par un technicien qualifié, un agent de service ou la compagnie de gaz.

AVERTISSEMENT

- TOUTES LES CUISINIÈRES PEUVENT BASCULER.
- DES BLESSURES POURRAIENT SURVENIR.
- INSTALLER LES AMARRÉS QUI ACCOMPAGNENT LA CUISINIÈRE.
- SE REPORTER AUX DIRECTIVES D'INSTALLATION DES AMARRÉS.



Dégagement et dimensions

1. **Emplacement—Vérifier l'espace où la cuisinière doit être installée.** S'assurer que l'alimentation en gaz et en électricité est adéquate et que le plancher est stable.
2. **Les dimensions indiquées doivent être respectées.** Les dimensions indiquées stipulent le dégagement minimum requis. Le plancher doit être ferme et au niveau.

Prévoir le type de combustible convenable

avant d'aller plus loin:

Votre cuisinière a été réglée afin de fonctionner avec du gaz naturel seulement. Certains modèles sont expédiés avec des pièces de conversion ainsi que des instructions. Deux ou trois modèles comportent un ensemble de conversion au gaz propane/GLP qui peut être obtenu auprès du marchand.

Pour les modèles dotés de quatre brûleurs de surface de 9 000 BTU, commandez l'ensemble n° 80-8802-10. Pour les modèles dotés de 2 brûleurs de surface de 9 000 BTU et de 2 de 11 000 BTU, commandez l'ensemble n° 80-8904-10. Pour les modèles dotés de 3 brûleurs de surface de 9 000 BTU et de 1 de 11 000 BTU, commandez l'ensemble n° 80-8809-10.

AVERTISSEMENT Ne pas tenter de modifier les réglages de cette cuisinière à des réglages pour gaz propane/GLP sans l'ensemble de conversion au gaz propane/GLP approprié fourni avec la cuisinière ou obtenu chez un marchand. Suivez toutes les instructions fournies avec l'ensemble de conversion.

NOTICE D'INSTALLATION DE LA CUISINIÈRE AU GAZ DE 76,2 CM (30 PO)

(Pour les modèles pourvus de brûleurs de surface scellés)

Remarques importantes à l'intention de l'installateur

1. Lire les directives contenues dans cette notice d'installation avant d'installer la cuisinière.
2. Retirer tout le matériel d'emballage de l'intérieur de la cuisinière avant de brancher la cuisinière à l'alimentation en gaz et en électricité.
3. Respecter tous les codes et ordonnances qui s'appliquent.
4. Laisser cette notice d'installation au client.

Remarque importante à l'intention du client

1. Conserver cette notice d'installation avec le Guide de l'utilisateur pour référence future.

CONSIGNES DE SÉCURITÉ IMPORTANTES

Cette cuisinière doit être installée conformément aux codes locaux ou, s'il n'existe pas de codes locaux, à l'édition la plus récente de la norme ANSI Z223.1 si elle est installée aux États-Unis. Au Canada, l'installation doit respecter les normes CAN/CGA-B149.1 et CAN/CGA-B149.2.

La conception de cette cuisinière a été agréée par l'*CSA International*. Comme c'est le cas pour tout appareil qui utilise du gaz naturel et qui émet de la chaleur, certaines consignes de sécurité doivent être respectées. Ces consignes sont énoncées dans le Guide de l'utilisateur; lire ce guide attentivement.

- S'assurer que la cuisinière est correctement installée et mise à la terre par un installateur ou un technicien qualifié.
- Cette cuisinière doit être mise à la terre conformément aux codes locaux ou, s'il n'existe pas de codes locaux, à l'édition la plus récente de la norme ANSI/NFPA n° .70 si elle est installée aux États-Unis. Au Canada, la mise à la terre doit respecter la norme CSA C22.1 du Code de l'électricité du Canada, partie 1. Se reporter aux directives de mise à la terre à la page 13.
- Avant d'installer la cuisinière dans un endroit recouvert de linoléum ou de tout autre couvre-plancher synthétique, s'assurer que le couvre-plancher peut supporter une chaleur supérieure d'au moins 32,2°C (90°F) à la température de la pièce sans rétrécir, se tordre ou changer de couleur. Ne pas installer la cuisinière sur un tapis à moins de placer un revêtement isolant en contre-plaqué de 0,64 cm (1/4 po) entre la cuisinière et le tapis.
- S'assurer que le revêtement des murs qui entourent la cuisinière peut supporter la chaleur qu'émet cet appareil.
- Ne pas obstruer la circulation de l'air servant à la combustion près de la grille d'aération ni autour de la base ou sous le panneau avant de la cuisinière. Éviter de toucher aux ouvertures d'aération ou aux surfaces avoisinantes car elles peuvent devenir très chaudes pendant le fonctionnement de la cuisinière. Cette cuisinière a besoin d'air frais pour que la combustion soit adéquate.

⚠ AVERTISSEMENT Ne jamais laisser des enfants seuls ou sans surveillance près d'un appareil électroménager en marche. Dès que les enfants sont assez grands, leur enseigner l'utilisation correcte et sécuritaire de tous les appareils électroménagers. Ne jamais laisser la porte du four ouverte lorsque aucun adulte ne se trouve à proximité.

⚠ AVERTISSEMENT Ne pas monter, s'appuyer ou s'asseoir sur les portes ou les tiroirs de cette cuisinière; cela pourrait entraîner des blessures graves et endommager la cuisinière.

- Ne pas ranger des articles pouvant attirer des enfants dans les armoires situées au-dessus de la cuisinière. Les enfants pourraient se brûler gravement en grim pant sur la cuisinière pour atteindre ces objets.
- Il est préférable de ne pas utiliser l'espace de rangement situé au-dessus des brûleurs de surface pour ne pas avoir à tendre les bras au-dessus de ceux-ci.
- Ajuster l'intensité de la flamme des brûleurs de surface de façon à ce qu'elle ne dépasse pas le bord de la casserole. Les flammes trop vives présentent des dangers.
- Ne pas utiliser la cuisinière comme espace de rangement. Cela pourrait présenter des dangers.
- Ne jamais utiliser la cuisinière pour réchauffer ou chauffer la pièce. Il est dangereux d'utiliser la cuisinière de façon prolongée sans une aération suffisante.
- Ne pas entreposer d'essence ou d'autres vapeurs ou liquides inflammables à proximité de cet appareil ou de tout autre appareil électroménager. Cela pourrait entraîner une explosion ou un incendie.
- Remettre tous les boutons de commande à la position «off» après avoir utilisé une fonction de la minuterie.

POUR LES MODÈLES AUTONETTOYANTS:

- Retirer la lèchefrite, la nourriture et tout autre ustensile de cuisson avant de nettoyer la cuisinière. Essuyer le surplus de saleté. Suivre les directives de préparation au nettoyage contenues dans le Guide de l'utilisateur.
- Contrairement à la cuisinière au gaz standard, LA SURFACE DE CUISSON DE CETTE CUISINIÈRE N'EST PAS AMOVIBLE. Ne pas tenter de retirer la surface de cuisson.

⚠ AVERTISSEMENT NE PAS TENTER DE QUELQUE FAÇON QUE CE SOIT D'UTILISER LE FOUR À ALLUMAGE ÉLECTRIQUE PENDANT UNE PANNE D'ÉLECTRICITÉ. EN CAS DE PANNE D'ÉLECTRICITÉ, REMETTRE TOUTES LES COMMANDES DU FOUR À LA POSITION «OFF».

Si le thermostat du four restait allumé (position «ON») pendant une panne d'électricité, l'allumeur électrique redémarrerait automatiquement le brûleur du four une fois la panne rétablie.

Si la panne d'électricité survient après l'allumage de l'un des brûleurs de surface, ce brûleur continuera de fonctionner.

Pendant une panne d'électricité, les brûleurs de surface peuvent être allumés à l'aide d'une allumette. Tenir une allumette allumée au-dessus du brûleur, puis tourner lentement le bouton vers la position d'allumage «LITE». Faire preuve d'une grande prudence en allumant les brûleurs de cette façon.

NOTICE D'INSTALLATION DE LA CUISINIÈRE AU GAZ DE 76,2 CM (30 PO)

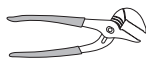
(Pour les modèles pourvus de brûleurs de surface scellés)

Avant l'installation

Outils requis

Pour mettre les pieds au niveau :

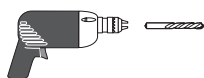
- Clé à douille (1 3/8 po hexagonale) ou pinces multiprise



- Tourne-écrou de 5/16 po ou tournevis à lame plate

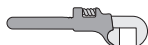


- Perceuse électrique et foret de 1/8 po de diamètre (foret à maçonnerie pour une installation dans le béton)



Pour le branchement du gaz :

- Clé à tuyau



Réglage de la flamme du brûleur:

- Tournevis Phillips et tournevis à tête plate



Pour la conversion du type de gaz (gaz propane ou gaz naturel) :

- Clé ouverte de 1/2 po

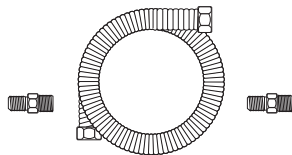


Matériel additionnel requis

- Robinet d'arrêt de la conduite de gaz.
- Pâte à joint qui résiste à l'action du gaz propane/gaz de pétrole liquéfié GPL



- Un nouveau conduit en métal flexible pour appareil ménager (1/2 po NPT x 3/4 po ou 1/2 po diam. intérieur) doit être certifié selon une conception CSA International. Étant donné que les tuyaux rigides ne permettent pas le déplacement facile de la cuisinière, nous recommandons l'emploi d'un nouveau tuyau flexible (de 4 à 5 pieds de longueur) pour les nouvelles installations et les réinstallations supplémentaires.



- Utilisez toujours les deux (2) nouveaux raccords à collet (1/2 po NPT x 3/4 po ou 1/2 po diam. intérieur) fournis avec le nouveau tuyau flexible de l'appareil ménager prévu pour raccorder la cuisinière.

Étapes d'installation normales

1. Directives de montage du support anti-renversement

Avertissement important sur la sécurité

La cuisinière doit être fixée au plancher pour éviter qu'elle ne se renverse. Ceci se réalise en installant un support anti-renversement à l'aide des vis fournies avec la cuisinière. Si le support anti-renversement n'est pas installé, la cuisinière peut basculer lorsqu'un poids excessif est exercé sur une porte ouverte ou qu'un enfant monte dessus. Des blessures graves peuvent s'ensuivre provenant de la cuisinière elle-même ou du renversement de liquides chauds.

S'il fallait déplacer la cuisinière à un autre endroit, les supports anti-renversement devraient également être enlevés et remontés à nouveau avec la cuisinière.

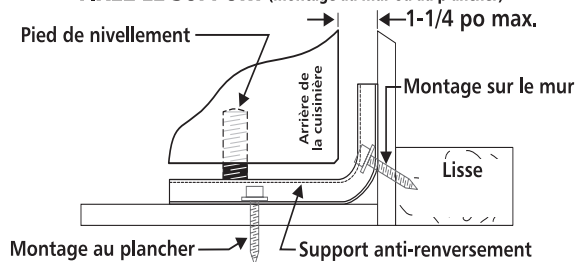
Les directives fournies sont prévues pour la fixation dans le bois ou dans le béton, dans le plancher ou dans un mur. Lors de l'installation sur un mur, assurez-vous que les vis traversent complètement le mur sec et qu'elles se fixent dans du bois ou du métal. Lors de la fixation à un plancher ou à un mur, assurez-vous que les vis ne pénètrent pas dans du câblage électrique ou des accessoires de plomberie.

- A. **Positionnez le support à l'aide du gabarit** - (Le support peut être placé sur la gauche comme sur la droite de la cuisinière. Positionnez le support à l'aide du schéma ci-dessous si le gabarit n'est pas disponible.) Faites un repère sur le plancher ou sur le mur, là où le côté gauche ou le côté droit de la cuisinière se trouvera situé. Si l'arrière de la cuisinière est contre le mur ou à une distance maximale de 1-1/4 po (3,18 cm) une fois installée, vous pouvez recourir à la méthode de l'installation au mur ou au plancher. Si une moulure vous empêche de monter le support contre le mur, enlevez-la ou fixez le support au plancher. Pour un montage au mur, situez le support en plaçant le bord arrière du gabarit contre le mur arrière, et le bord latéral du gabarit sur le repère fait par rapport au côté de la cuisinière. Placez le support au-dessus du gabarit et marquez l'emplacement des trous de vis dans le mur. Si l'arrière de la cuisinière est à plus de 1-1/4 po (3,18 cm) du mur une fois installée, fixez le support au plancher. Pour un montage au plancher, situez le support en plaçant le bord arrière du gabarit là où sera situé l'arrière de la cuisinière. Faites un repère des trous de vis indiqués sur le gabarit.

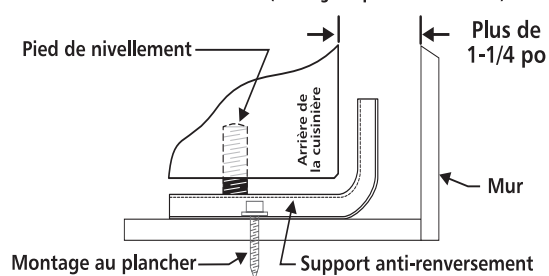


- B **Percez des avant-trous et fixez le support** - Percez un avant-trou de 1/8 po (3,2 mm) là où seront situées les vis. Si le support doit être monté au mur, percez un avant-trou à une inclinaison d'environ 20° vers le bas. Si vous installez le support sur un plancher en céramique ou maçonnerie, percez un avant-trou de 5/32 po (3,9 mm) à une profondeur de 1-3/4 po (4,44 cm). Les vis fournies pourront être utilisées dans le bois comme dans le béton. Utilisez un tourne-écrou de 5/16 po ou un tourne-vis à lame plate pour fixer le support en place.

FIXEZ LE SUPPORT (Montage au mur ou au plancher)



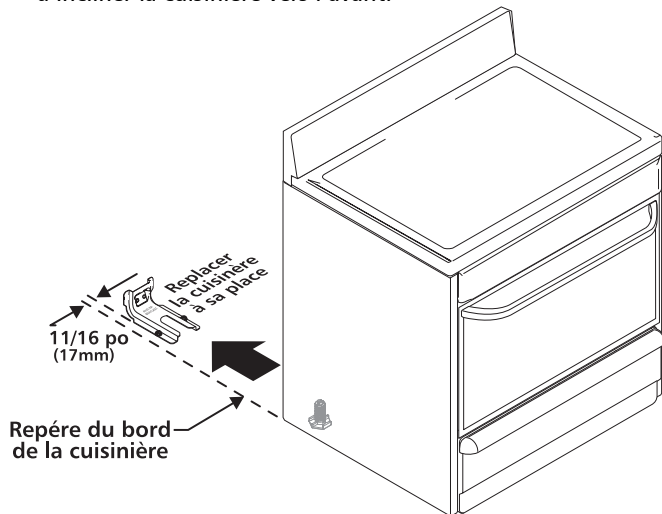
FIXEZ LE SUPPORT (Montage au plancher seulement)



NOTICE D'INSTALLATION DE LA CUISINIÈRE AU GAZ DE 76,2 CM (30 PO)

(Pour les modèles pourvus de brûleurs de surface scellés)

C. **Placement et mise à niveau de la cuisinière** - Mettez la cuisinière à niveau en réglant les quatre (4) pieds de nivellement à l'aide d'une clé. Remarque: Un dégagement minimal de 1/8 po (3,2 mm) est nécessaire entre le bas de la cuisinière et le pied de nivellement pour loger le support. Utilisez un niveau à bulle d'air pour vérifier vos réglages. Remettez la cuisinière en place. Vérifiez visuellement si le pied de nivellement arrière se trouve logé et bien fixé dans le support anti-renversement en enlevant le panneau inférieur ou le tiroir de rangement. Pour les modèles avec tiroir chauffant ou compartiment à lèchefrite, prenez le bord arrière supérieur de la cuisinière et essayez doucement d'incliner la cuisinière vers l'avant.



2. Assurer une alimentation en gaz adéquate.

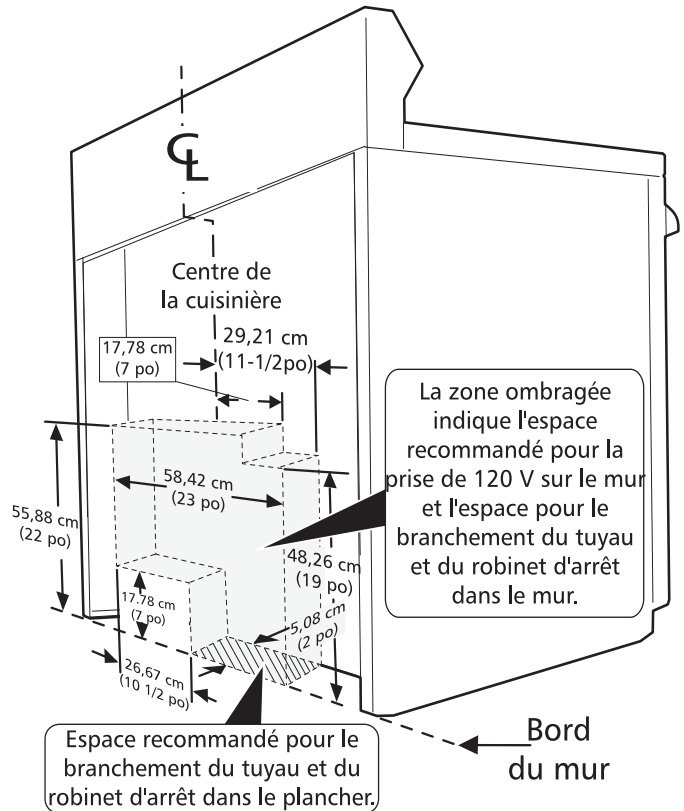
Cet appareil est conçu pour fonctionner sur une pression de 10,16 cm (4 po) produite par un distributeur de gaz naturel. Un régulateur de pression ajustable est branché au distributeur; ce régulateur DOIT être relié en série avec la conduite d'alimentation en gaz. Si un ensemble de conversion au gaz propane a été installé, suivre les directives qui accompagnent l'ensemble en question pour convertir le régulateur de pression à l'alimentation de gaz propane.

Il faut prendre grand soin pendant l'installation de la cuisinière de ne pas obstruer la circulation de l'air servant à la combustion et à la ventilation.

Pour que la cuisinière fonctionne correctement, la pression d'admission maximum au régulateur ne doit pas dépasser 35,56 cm (14 po) d'eau. La pression d'admission au régulateur doit être d'au moins 2,54 cm (1 po) plus élevée que la pression au distributeur. Par exemple, si le régulateur est réglé de façon à ce que la pression de gaz naturel soit de 10,16 cm (4 po) au distributeur, la pression d'admission doit être d'au moins 12,7 cm (5 po). Si le régulateur a été converti à une alimentation en gaz propane et que la pression au distributeur est de 25,4 cm (10 po), la pression d'admission doit être d'au moins 27,94 cm (11 po).

Un essai d'étanchéité de l'appareil doit être réalisé selon les instructions fournies à l'étape 4g.

La conduite d'alimentation en gaz doit être de 1,27 cm (1/2 po) ou 1,9 cm (3/4 po) d.i.



3. Sceller les ouvertures.

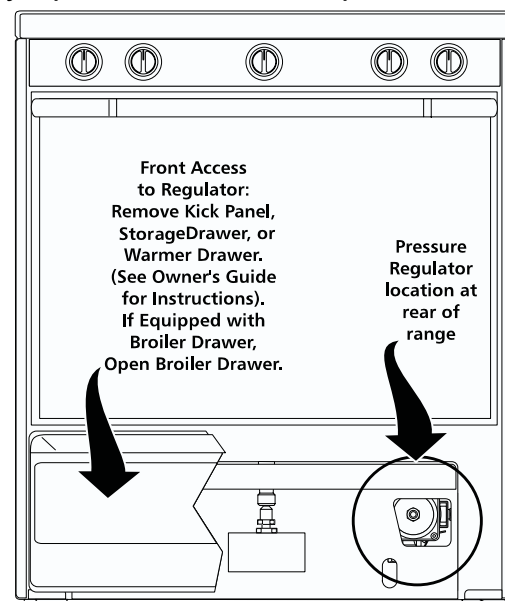
Sceller toute ouverture dans le mur, derrière la cuisinière, et dans le plancher, sous la cuisinière, une fois la conduite d'alimentation en gaz installée.

4. Brancher la cuisinière à l'alimentation en gaz.

Pour prévenir les fuites, appliquer un mastic de joint pour tuyaux sur les filets de tous les raccords mâles (filets sur l'extérieur).

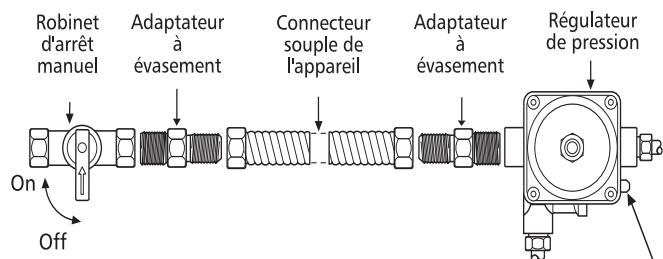
Le régulateur est situé dans l'un des deux emplacements illustrés ci-dessous.

AVERTISSEMENT Ne pas permettre au régulateur de tourner sur le tuyau pendant le serrement des pièces.



NOTICE D'INSTALLATION DE LA CUISINIÈRE AU GAZ DE 76,2 CM (30 PO)

(Pour les modèles pourvus de brûleurs de surface scellés)



Modèles avec allumage électrique et robinet d'arrêt de service seulement (illustré à la position «ON» (OUVERT)).

S'assurer que le levier se trouve à la position «ON» une fois l'installation terminée.

- Poser un robinet d'arrêt manuel externe sur la conduite d'alimentation en gaz dans un endroit facile d'accès à l'extérieur de la cuisinière. S'assurer de savoir comment et où couper l'alimentation en gaz de la cuisinière.
- Poser un adaptateur à évasement de 1,27 cm (1/2 po) sur le régulateur de pression.
- Fixer le connecteur de l'appareil à l'adaptateur à évasement relié au régulateur.
- Fixer un autre adaptateur à évasement au robinet d'arrêt manuel externe.
- Fixer le connecteur de l'appareil à l'adaptateur à évasement relié au robinet d'arrêt.
- S'assurer que le robinet d'arrêt du régulateur de pression est ouvert (position «ON»).
- Vérifier s'il y a des fuites. Ouvrir l'alimentation en gaz de la cuisinière et appliquer un détecteur de fuite liquide sur tous les joints et les raccords de façon à déceler toute fuite dans la conduite.

AVERTISSEMENT Ne pas utiliser une flamme vive pour détecter les fuites de gaz.

Vérifier la pression de gaz du distributeur

Débrancher la cuisinière et son robinet d'arrêt distinct de la canalisation de gaz pendant toute vérification de pression de l'alimentation en gaz à des pressions qui dépassent 35,56 cm (14 po) d'eau (environ 3,45 kPa (1/2 lb/po²)).

L'appareil doit être isolé de la canalisation de gaz par la fermeture de son robinet d'arrêt manuel pendant toute vérification de pression de la canalisation de gaz à des pressions égales ou inférieures à 35,56 cm (14 po) d'eau (environ 3,45 kPa (1/2 lb/po²)).

S'il s'avère nécessaire de vérifier la pression de la canalisation de gaz, brancher un manomètre (hydromètre) ou un autre appareil de vérification de pression à l'orifice du brûleur de surface arrière droit. Tenir un boyau en caoutchouc d'environ 0,6 cm (1/4 po) de diamètre intérieur relié à l'appareil de vérification bien serré sur l'orifice. Ouvrir le robinet du brûleur.

Pour une vérification de pression fiable, faire fonctionner au moins deux (2) autres brûleurs de surface pendant la vérification. S'assurer que la pression d'alimentation en gaz (pression d'admission) est supérieure d'au moins 2,54 cm (1 po) à la pression du distributeur. La pression de l'alimentation en gaz ne doit jamais être supérieure à 35,56 cm (14 po) d'eau. Lorsque la pression du distributeur est bien ajustée au gaz naturel, elle est de 10,16 cm (4 po). Dans le cas du gaz propane, la pression du distributeur est de 25,4 cm (10 po).

5. Lire les directives relatives au branchement électrique ci-dessous et brancher la cuisinière à l'alimentation électrique.

AVERTISSEMENT Avant le branchement, couper l'alimentation électrique à la boîte de fusibles ou de disjoncteurs ou au cordon d'alimentation.

Installation électrique : Dérivation distincte adéquatément mise à la terre et polarisée avec disjoncteur ou fusible à retardement de 15 A. Se reporter à la plaque signalétique pour la tension recommandée.

Consignes de sécurité relatives aux cordons de rallonge :

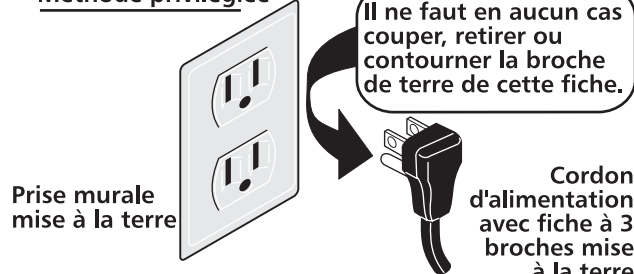
En raison des risques que peuvent présenter les cordons de rallonge dans certaines circonstances, nous recommandons fortement de ne pas utiliser de cordon de rallonge avec la cuisinière. Toutefois, si l'on décide tout de même d'utiliser un cordon de rallonge, celui-ci doit être à 3 conducteurs, agréé UL, mis à la terre et conçu pour le branchement d'appareils électroménagers; il doit être en mesure de soutenir une tension équivalente ou supérieure à l'ampérage de la dérivation. On peut se procurer ce type de cordon de rallonge auprès de l'agent de service après-vente agréé le plus proche.

AVERTISSEMENT LIRE ATTENTIVEMENT ! Pour votre sécurité, cet appareil doit être convenablement mis à la terre.

Mise à la terre

Le cordon d'alimentation électrique de cet appareil est pourvu d'une fiche à 3 broches (mise à la terre) qui convient aux prises murales standard à 3 ouvertures mises à la terre, et ce de façon à minimiser les risques d'électrocution que pourrait présenter cet appareil. Le consommateur doit faire vérifier la prise murale et le circuit par un électricien agréé afin de s'assurer que la prise est correctement mise à la terre et polarisée.

Méthode privilégiée



Lorsque la prise murale n'a que deux ouvertures, il incombe au propriétaire de l'appareil de faire remplacer cette prise par une prise à trois ouvertures convenablement mise à la terre.

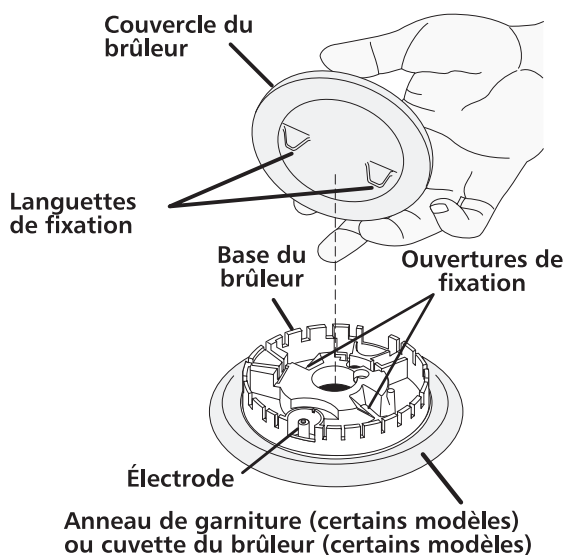
IL NE FAUT EN AUCUN CAS COUPER OU RETIRER LA BROCHE DE TERRE DU CORDON D'ALIMENTATION ÉLECTRIQUE.

NOTICE D'INSTALLATION DE LA CUISINIÈRE AU GAZ DE 76,2 CM (30 PO)

(Pour les modèles pourvus de brûleurs de surface scellés)

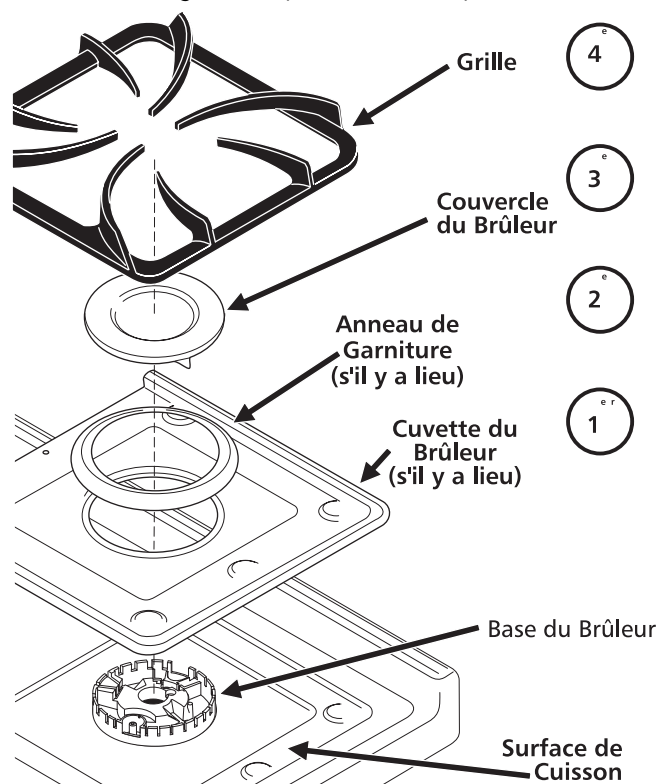
Fonctionnement des brûleurs de surface

Cette cuisinière est pourvue de brûleurs scellés, comme le montre l'illustration qui suit.



6. Installation des pièces qui recouvrent le brûleur

La cuisinière est pourvue d'anneaux de garniture ou de cuvettes, ou encore de ces deux dispositifs. Installer les cuvettes (certains modèles) et les anneaux de garniture (certains modèles) comme suit :

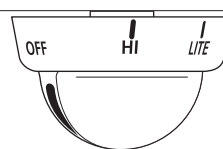


7. Brûleurs de surface à allumage électrique

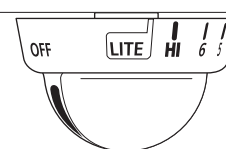
Le fonctionnement de l'allumage électrique doit être vérifié une fois que la détection de fuite dans les raccords de la cuisinière et de la conduite d'alimentation a été effectuée et que la cuisinière a été branchée à l'alimentation électrique. Les soupapes des brûleurs de surface sont dotées d'un encliquetage aux positions «OFF» (arrêt) et «LITE» (allumage). Il faut enfoncer le bouton et le tourner au-delà de ces positions d'encliquetage.

- Pour vérifier l'allumage, enfoncer et tourner le bouton d'un brûleur de surface à la position «LITE». On entend une étincelle dans le dispositif d'allumage.
- Le brûleur de surface devrait s'allumer si l'alimentation en gaz est reliée au brûleur. Purger l'air des canalisations d'alimentation en laissant le bouton à la position «LITE» jusqu'au moment où le brûleur s'allume. Dans des conditions normales, chaque brûleur devrait s'allumer dans les quatre (4) secondes une fois que l'air a été purgé des conduites d'alimentation.
- Vérifier visuellement si le brûleur est allumé. Une fois le brûleur allumé, le bouton de commande doit être enfoncé et tourné hors de la position «LITE».
- Chaque brûleur est pourvu d'un allumeur distinct. Vérifier chacun des boutons pour tester tous les brûleurs.

Remarque : Le style des boutons peut différer des styles illustrés.

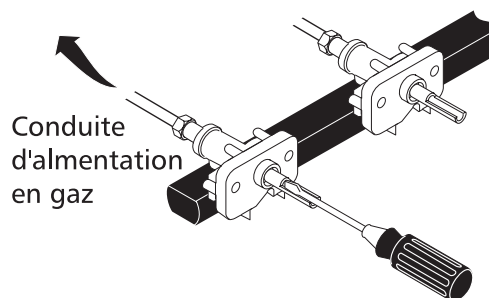


Commande à deux positions



Commande à débit linéaire

8. Ajustement du réglage faible «LOW» du robinet des brûleurs (commandes à débit linéaire ou à trois positions seulement) :



- Tourner le bouton de commande à la position «LITE» jusqu'à ce que le brûleur s'allume.
- Tourner rapidement la commande à la POSITION LA PLUS FAIBLE.
- Si le brûleur s'éteint, ajuster le robinet de la façon suivante :

Remettre le bouton de commande à la position «OFF». Retirer le bouton de commande du brûleur, insérer un tournevis à lame mince dans la tige creuse du robinet et saisir le vis à filets interrompus. La taille de la flamme peut être augmentée ou réduite par le réglage de cette vis. Ajuster la flamme jusqu'à ce que le bouton de commande puisse être tourné rapidement de la position «LITE» à la POSITION LA PLUS FAIBLE sans que la flamme ne s'éteigne. La flamme doit être aussi petite que possible sans s'éteindre.

Remarque : L'ajustement du mélange d'air n'est pas requis pour les brûleurs de surface.

NOTICE D'INSTALLATION DE LA CUISINIÈRE AU GAZ DE 76,2 CM (30 PO)

(Pour les modèles pourvus de brûleurs de surface scellés)

Fonctionnement des brûleurs du four et ajustement du four

9. Brûleurs à allumage électrique

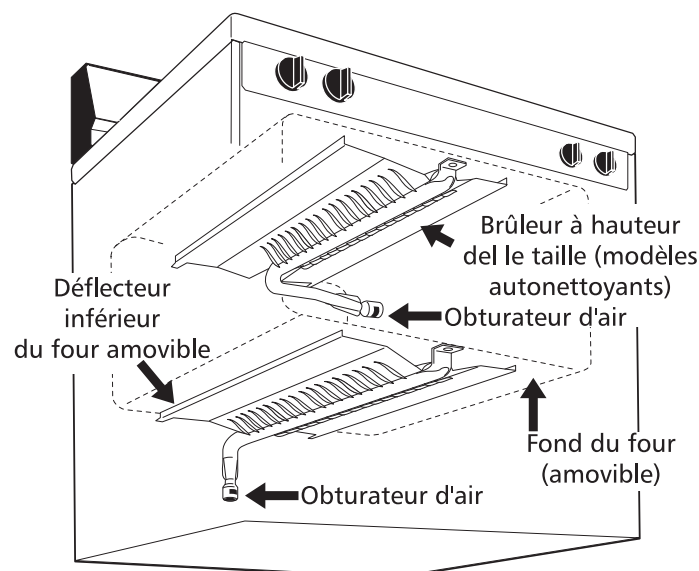
Le fonctionnement de l'allumage électrique doit être vérifié une fois que la détection de fuite dans les raccords de la cuisinière et de la conduite d'alimentation a été effectuée et que la cuisinière a été branchée à l'alimentation électrique.

Le brûleur du four est pourvu d'un dispositif de contrôle électrique ainsi que d'un dispositif d'allumage électrique. Si la cuisinière est pourvue d'un brûleur de grillage à hauteur de la taille, ce brûleur dispose également d'un dispositif d'allumage électrique. Ces dispositifs de contrôle n'ont pas à être ajustés. Une fois le four prêt à fonctionner, l'alimentation électrique se rend au dispositif d'allumage. Ce dispositif «s'illumine» comme une ampoule électrique. Lorsque le dispositif d'allumage atteint la température requise pour enflammer le gaz, le robinet à commande électrique du four s'ouvre et la flamme se forme sur le brûleur. Il faut de 30 à 60 secondes entre le moment où le thermostat est allumé et l'apparition de la flamme sur le brûleur. Lorsque le four atteint la température prévue, le dispositif d'allumage s'éteint. La flamme du brûleur s'éteint dans les 20 à 30 secondes qui suivent la fermeture du dispositif d'allumage. Pour maintenir une température donnée dans le four, le cycle se poursuit tant que la commande (ou le voyant) fonctionne.

Une fois tout le matériel d'emballage et la documentation sortis du four :

- Régler le four sur CUISSON «BAKE» à 154°C (300°F). Se reporter au Guide de l'utilisateur pour les directives de fonctionnement.
- Le brûleur du four devrait s'allumer dans les 60 secondes qui suivent. S'assurer que la flamme est adéquate et permettre au brûleur d'accomplir un cycle complet. Refermer les boutons de commande (position «off»).
- Si la cuisinière est pourvue d'un brûleur de grillage à hauteur de la taille, régler le four sur GRILLAGE «BROIL». Se reporter au Guide de l'utilisateur pour les directives de fonctionnement.
- Le brûleur de grillage devrait s'allumer dans les 60 secondes qui suivent. S'assurer que la flamme est adéquate. Refermer les boutons de commande.

10. Obturateur d'air / brûleur du four



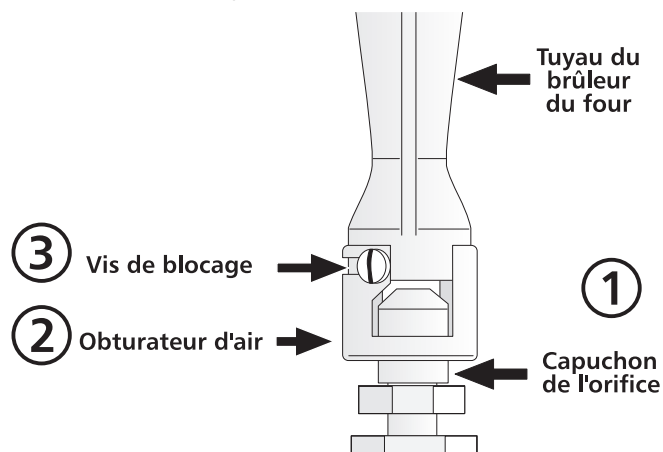
La flamme du brûleur du four mesure environ 2,5 cm (1 po) (flamme intérieure de couleur bleue).

Pour déterminer si la flamme du brûleur du four est adéquate, retirer le fond du four et le déflecteur, puis régler le four sur CUISSON «BAKE» à 154°C (300°F).

Pour retirer le fond du four, enlever les vis de support situées sur sa partie arrière. Le soulever par l'arrière, désengager son devant du cadre avant du four, puis le tirer pour le sortir du four. Retirer le déflecteur de façon à pouvoir observer la flamme.

Si la flamme est de couleur jaune, accroître l'ouverture de l'obturateur d'air. (Se reporter au numéro 2 de l'illustration qui suit.) Si la flamme est d'un bleu marqué, réduire l'ouverture de l'obturateur d'air.

Pour ajuster la flamme, desserrer la vis de blocage (se reporter au numéro 3 de l'illustration qui suit), ajuster l'obturateur d'air, puis resserrer la vis de blocage. Remettre le fond du four en place.



11. Obturateur d'air / brûleur de grillage (s'il y a lieu)

La flamme du brûleur du four mesure environ 2,5 cm (1 po) (flamme intérieure de couleur bleue).

Pour déterminer si la flamme du brûleur de grillage est adéquate, régler le four sur GRILLAGE «BROIL».

Si la flamme est de couleur jaune, accroître l'ouverture de l'obturateur d'air. (Se reporter au numéro 2 de l'illustration qui précède.) Si la flamme est d'un bleu marqué, réduire l'ouverture de l'obturateur d'air.

Pour ajuster la flamme, desserrer la vis de blocage (se reporter au numéro 3 de l'illustration qui précède), ajuster l'obturateur d'air, puis resserrer la vis de blocage.

NOTICE D'INSTALLATION DE LA CUISINIÈRE AU GAZ DE 76,2 CM (30 PO)

(Pour les modèles pourvus de brûleurs de surface scellés)

12. S'assurer que la cuisinière est au niveau

Mettre la cuisinière au niveau en plaçant un niveau à l'horizontale sur une gille du four. Vérifier en diagonale d'avant en arrière, puis mettre la cuisinière au niveau, soit en ajustant les pieds de nivellement, soit en plaçant des cales sous les coins au besoin.

13. Une fois l'installation terminée, s'assurer que tous les boutons de commande sont fermés (position «off»).

Emplacement des numéros de modèle et de série

Dans le cas des fours émaillés, la plaque signalétique est située sur le bord droit du cadre du four, dans le compartiment du grilloir ou le tiroir de rangement.

Dans le cas des fours à nettoyage continu, la plaque signalétique est située sur le bord avant droit du protecteur de plancher situé dans le compartiment du grilloir.

Lorsqu'il faut commander des pièces ou poser des questions sur la cuisinière, s'assurer de mentionner le numéro de modèle et le numéro de série ainsi que le numéro de lot ou la lettre qui figurent sur la plaque signalétique de la cuisinière.

La plaque signalétique indique également le calibre des brûleurs, le type de carburant à utiliser et la pression préajustée au moment où la cuisinière a quitté l'usine.

Avant de faire appel à un centre de service

Lire le Guide de dépannage et les directives d'utilisation qui figurent dans le [Guide de l'utilisateur](#). Cela peut épargner du temps et des dépenses inutiles. Le Guide de dépannage décrit les problèmes courants qui ne sont pas causés par un vice de fabrication ou de matériaux.

Se reporter à la garantie qui figure dans le [Guide de l'utilisateur](#) pour connaître le numéro sans frais et l'adresse de notre service à la clientèle. N'hésitez pas à nous appeler ou à nous écrire si vous avez des questions au sujet de votre cuisinière ou pour commander des pièces.

Entretien et nettoyage

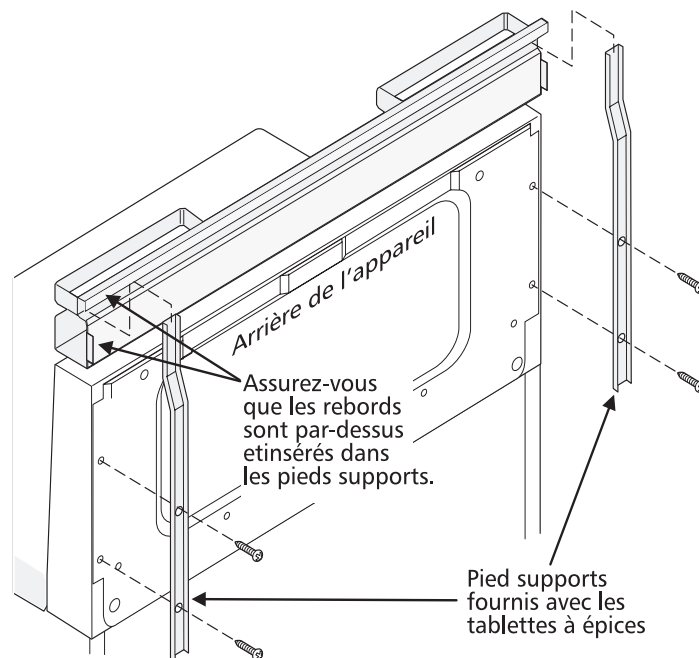
Se reporter au [Guide de l'utilisateur](#) pour les directives de nettoyage.

S'il faut déplacer la cuisinière pour la nettoyer ou la réparer, fermer l'alimentation en gaz. Débrancher l'alimentation en gaz et l'alimentation électrique. Si les sources de gaz et d'électricité ne sont pas accessibles, soulever légèrement le devant de la cuisinière et tirer. Tirer juste assez pour être en mesure de couper l'alimentation en gaz et en électricité. Poursuivre le déplacement de la cuisinière pour l'entretien ou le nettoyage. Réinstaller la cuisinière dans l'ordre inverse en s'assurant qu'elle est au niveau et qu'il n'y a pas de fuite dans les raccords de la conduite de gaz. Se reporter au de la page 11 pour savoir comment amarrer correctement la cuisinière.

Installer le support à épices.

Ce four est équipé d'un support à épices à ajouter ou non, au choix. Pour affixer-le sur la cuisinière:

- Avec un tournevis Phillips, enlever quatre (4) vis de la derrière de la cuisinière comme indiqué ci-dessous.
- Employant ces quatre (4) vis, rattacher les deux colonnes de soutient (fournis) à l'arrière de la cuisinière.
- Placer le support à épices sur les poteaux de soutient en tant que les rebords entourent les poteaux de soutient comme indiqué ci-dessous.



INSTRUCCIONES DE INSTALACION PARA LA ESTUFA A GAS DE 30"

(Para Modelos con Quemadores Superiores Sellados)

LA INSTALACION Y EL SERVICIO DEBEN SER EFECTUADOS POR UN INSTALADOR CALIFICADO. **IMPORTANTE: CONSERVE ESTAS INSTRUCCIONES PARA USO DEL INSPECTOR LOCAL DE ELECTRICIDAD. LEA Y CONSERVE ESTAS INSTRUCCIONES PARA REFERENCIA FUTURA.**

ADVERTENCIA Si la información contenida en este manual no es seguida exactamente, puede ocurrir un incendio o explosión causando daños materiales, lesión personal o la muerte.

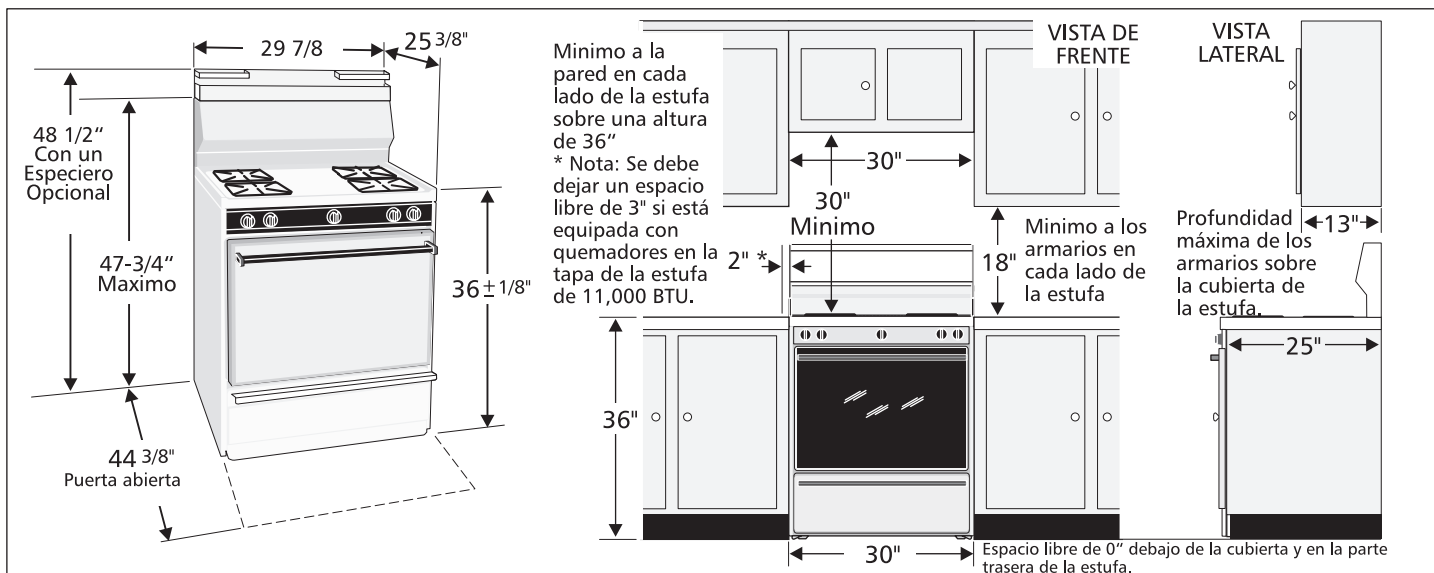
PARA SU SEGURIDAD:

- No almacene ni utilice gasolina u otros vapores y líquidos inflamables en la proximidad de éste o de cualquier otro artefacto.
- **QUE DEBE HACER SI PERCIBE OLOR A GAS:**
 - No trate de encender ningún artefacto.
 - No toque ningún interruptor eléctrico; no use ningún teléfono en su edificio.
 - Llame a su proveedor de gas desde el teléfono de un vecino. Siga las instrucciones del proveedor de gas.
 - Si no logra comunicarse con su proveedor de gas, llame al departamento de bomberos.
- La instalación y el servicio de mantenimiento debe realizarlo un instalador calificado, la agencia de servicios o el proveedor de gas.



ADVERTENCIA

- TODAS LAS ESTUFAS PUEDEN VOLCARSE.
- PUEDEN RESULTAR LESIONES PERSONALES.
- INSTALE EL DISPOSITIVO ANTIVUELCO EMPACADO CON LA ESTUFA.
- VEA LAS INSTRUCCIONES DE INSTALACION.



Espacios libres y dimensiones

1. **Ubicación** - Examine la ubicación donde va a instalar la estufa. Compruebe que la alimentación eléctrica y de gas sea adecuada y compruebe la estabilidad del piso.
2. **Las dimensiones que se muestran deben ser usadas.** Las dimensiones dadas proporcionan el espacio mínimo necesario. La superficie de contacto debe ser sólida y nivelada.

Utilice el tipo de combustible apropiado

Antes de proceder:

Su estufa ha sido diseñada para funcionar con gas natural solamente. Algunos modelos pueden ser transformados y se envían con las piezas y las instrucciones de conversión. Otros modelos tienen un juego de conversión a propano líquido que puede obtener a través de su distribuidor.

Para los modelos equipados con quemadores de superficie de 4-9.000 BTU, solicite el juego #80-8802-10. Para los modelos equipados con quemadores de superficie de 2-9.000 BTU y 2-11.000 BTU, solicite el juego #80-8904-10. Para los modelos equipados con quemadores de superficie de 3-9.000 BTU y 1-11.000 BTU, solicite el juego #80-8809-10.

ATENCION NO intente convertir esta estufa a propano líquido sin tener el juego de conversión a propano líquido suministrado con la estufa u obtenido de su distribuidor. Siga las instrucciones incluidas con el juego de conversión.

INSTRUCCIONES DE INSTALACION PARA LA ESTUFA A GAS DE 30"

(Para Modelos con Quemadores Superiores Sellados)

Importantes notas para el instalador

1. Lea todas las instrucciones contenidas en estas instrucciones para la instalación antes de instalar la estufa.
2. Saque todos los materiales de embalaje de los compartimientos del horno antes de conectar la alimentación de gas y electricidad a la estufa.
3. Observe todos los códigos y ordenanzas en vigor.
4. Asegúrese de dejar estas instrucciones al cliente.

Nota importante para el cliente

1. Guarde estas instrucciones con la guía del propietario para referencia futura.

IMPORTANTES INSTRUCCIONES DE SEGURIDAD

La instalación de esta estufa debe estar conforme con los códigos locales, o si no existen códigos locales, con el National Fuel Gas Code (Código Nacional para Gases Combustibles), ANSI Z223.1—la edición más reciente cuando se instala en los Estados Unidos. Si se instala en Canadá, la instalación debe estar conforme con CAN/CGA-B149.1 y CAN/CGA-B149.2.

El diseño de esta estufa ha sido certificado por la CSA International. Igual que con cualquier electrodoméstico que utiliza gas y genera calor, existen ciertas precauciones de seguridad que deberá seguir. Las encontrará en la [Guía del Propietario](#). Léalas con atención.

- Asegúrese de que su estufa sea instalada y puesta a tierra debidamente por un instalador capacitado o un técnico de servicio.
- Esta estufa debe ser puesta a tierra de acuerdo con los códigos locales, o si no existen códigos locales, con el National Electrical Code (Código Eléctrico Nacional), ANSI/NFPA N° 70 — la edición más reciente cuando se instala en los Estados Unidos. Si se instala en Canadá, esta estufa debe ser puesta a tierra de acuerdo con la Norma CSA Standard C22.1, Canadian Electrical Code (Código Eléctrico Canadiense), Parte 1. Vea las instrucciones para la puesta a tierra en la página 21.
- Antes de instalar la estufa en un área cubierta con linóleo o cualquier otro material de recubrimiento sintético para pisos, asegúrese de que el recubrimiento para pisos pueda soportar una temperatura de por lo menos 90°F (32,2°C) por encima de la temperatura ambiente sin encogerse, doblarse ni cambiar de color. No instale la estufa encima de un alfombrado a menos que coloque una alfombrilla o lámina aislante de madera chapada de 1/4 de pulgada (6,3 mm) de espesor entre la estufa y el alfombrado.
- Asegúrese de que el papel tapiz de paredes alrededor de la estufa pueda soportar el calor generado por la estufa.
- No obstruya el paso de aire de combustión en la rejilla de ventilación del horno ni alrededor de la base ni debajo del panel delantero inferior de la estufa. Evite tocar las aberturas de ventilación o las superficies cercanas ya que pueden calentarse cuando el horno esté en funcionamiento. Esta estufa requiere aire fresco para la combustión adecuada del quemador.

⚠ ADVERTENCIA No deje nunca a los niños solos o desatendidos en el área donde un electrodoméstico esté en funcionamiento. Cuando los niños crezcan, enséñeles el uso correcto y seguro de todos los electrodomésticos. No deje nunca la puerta del horno abierta cuando la estufa esté desatendida.

⚠ ADVERTENCIA Subirse, apoyarse o sentarse sobre las puertas o cajones de esta estufa puede provocar lesiones de consideración y también puede dañar la estufa.

- No almacene artículos de interés para los niños dentro de los armarios situados por encima de la estufa. Los niños que se suban a la estufa para alcanzar artículos podrían resultar gravemente quemados..
- Para eliminar la necesidad de colocarse sobre los quemadores de la superficie, deben evitarse los armarios por encima de los quemadores.
- Ajuste el tamaño de la llama del quemador de superficie para que no sobrepase el borde del utensilio de cocina. Las llamas excesivas son peligrosas.
- No use el horno para almacenar cosas. Esto crea una situación peligrosa potencial.
- No use nunca su estufa para mantener un cuarto caliente ni para calentarlo. El uso prolongado de la estufa sin ventilación adecuada puede ser peligroso.
- No guarde ni utilice gasolina ni otros vapores y líquidos inflamables en las cercanías de este o cualquier otro electrodoméstico. Pueden ocurrir incendios o explosiones.
- Vuelva a colocar todos los controles en la posición de "off" (apagado) después de haber utilizado una operación con el programador.

PARA MODELOS CON LA CARACTERISTICA DE AUTOLIMPIEZA:

- Saque la bandeja del asador, los alimentos y cualquier otro utensilio antes de poner en marcha la autolimpieza. Limpie el exceso de derrames de comida. Siga las instrucciones para la limpieza previa en la [Guía del Propietario](#).
- A diferencia de las estufas a gas comunes, LA TAPA DE LA ESTUFA NO ES REMOVIBLE. No trate de sacar la tapa.

⚠ ADVERTENCIA NO TRATE DE UTILIZAR EL ENCENDIDO ELECTRICO DURANTE UNA FALLA DEL SUMINISTRO ELECTRICO. COLOQUE TODOS LOS CONTROLES DEL HORNO EN "OFF" (APAGADO) EN CASO DE UNA FALLA ELECTRICA.

El encendedor eléctrico volverá a encender automáticamente el quemador del horno cuando regrese el suministro eléctrico si el control del termostato del horno se dejó en la posición de "ON" (encendido).

Cuando ocurra una falla eléctrica durante el uso, los quemadores de superficie continuarán funcionando.

Durante una falla eléctrica, los quemadores de superficie pueden ser encendidos con una cerilla. Sujete una cerilla encendida justo al lado del quemador y gire despacio la perilla a la posición de LITE (encendido). Tenga muchísimo cuidado cuando encienda los quemadores de esta manera.

INSTRUCCIONES DE INSTALACION PARA LA ESTUFA A GAS DE 30"

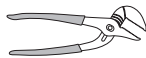
(Para Modelos con Quemadores Superiores Sellados)

Antes de comenzar

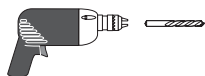
Herramientas necesarias

Para las patas niveladoras:

- Herramienta para insertar casquillos (1-3/8" hex) o alicates channel lock



- Llave para tuercas de 5/16" o Destornillador para tornillos de cabeza plana
- Taladro eléctrico y broca de 1/8" de diámetro (broca de albañilería si está instalando en hormigón)



Para la conexión de la alimentación de gas:

- Llave para tuberías



Para ajustar la llama del quemador:

- Destornillador phillips y destornillador para tornillos de cabeza plana



Para conversión del gas (LP/propano o natural):

- Llave de boca abierta de 1/2"

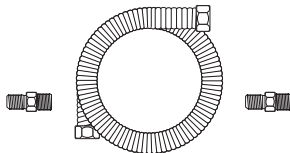


Materiales adicionales necesarios

- Válvula de cierre de la línea de gas
- Sellador de juntas de tuberías que resista la acción del gas Propano líquido



- Un conducto flexible metálico nuevo para electrodomésticos (1/2" NPT x 3/4" o 1/2" de diámetro interior) certificado por CSA International. Debido a que la tubería sólida restringe el movimiento de la estufa, recomendamos que se use un conducto flexible nuevo (4 a 5 pies de largo) para cada nueva instalación y reinstalaciones adicionales.



- Siempre use los (2) adaptadores de unión abocinados nuevos (1/2" NPT x 3/4" o 1/2" de diámetro interior) suministrados con el conducto flexible nuevo para electrodomésticos, para la conexión de la estufa.

Pasos de la Instalación Normal

1. Instrucciones para la instalación del soporte antivuelco

Advertencia de Seguridad Importante

A fin de reducir el riesgo de que la estufa se vuelque, ésta debe ser asegurada al piso mediante la instalación adecuada de un soporte antivuelco usando los tornillos incluidos con la estufa. Si no se instala el soporte antivuelco la estufa puede volcarse si se coloca peso excesivo en una puerta abierta o si un niño se sube a ella. Se puede producir una lesión grave a causa del derrame de líquidos calientes o de la estufa misma si se vuelca.

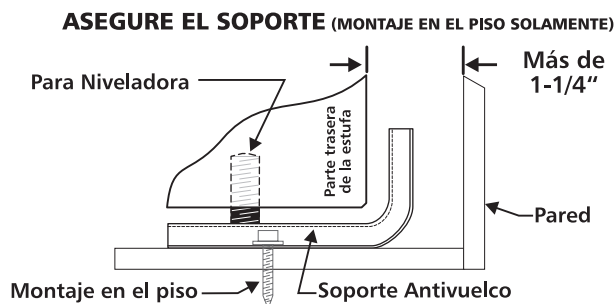
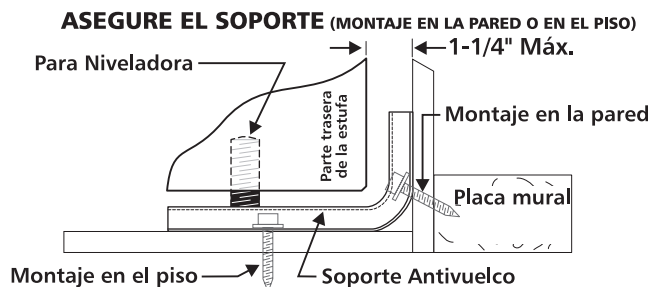
Si la estufa es cambiada a otro lugar, los soportes antivuelco pueden también ser cambiados e instalados con la estufa.

Las instrucciones son para instalación en madera o cemento y anclaje al piso o a la pared. Cuando se instala en la pared, asegúrese de que los tornillos penetren completamente el muro seco y que estén asegurados en madera o metal. Cuando se asegura al piso o a la pared, asegúrese de que los tornillos no toquen ningún alambreado eléctrico o tuberías.

- A. Ubique el soporte usando la plantilla - (el soporte puede encontrarse en el lado derecho o izquierdo de la estufa. Utilice el diagrama siguiente para ubicar el soporte si la plantilla no está disponible.) Marque en el piso o en la pared donde quedará ubicado el borde derecho o izquierdo de la estufa. Si la parte trasera de la estufa está contra la pared o no está a más de 1-1/4" de la pared, usted puede usar el método de montaje en el piso o en la pared. Si tiene moldura instalada que no permite que el soporte quede a ras contra la pared, retire la moldura o instale el soporte en el piso. Para instalación en la pared, ubique el soporte colocando el borde trasero de la plantilla contra la pared trasera y el borde lateral de la plantilla en la marca hecha que muestra el lado de la estufa. Coloque el soporte arriba de la plantilla y marque la ubicación de los agujeros de los tornillos en la pared. Si la parte trasera de la estufa ya instalada está a más de 1-1/4" de la pared, instale el soporte en el piso. Para montaje en el piso, ubique el soporte colocando el borde trasero de la plantilla donde quedará ubicada la parte trasera de la estufa. Marque la ubicación de los agujeros de los tornillos, mostrados en la plantilla.



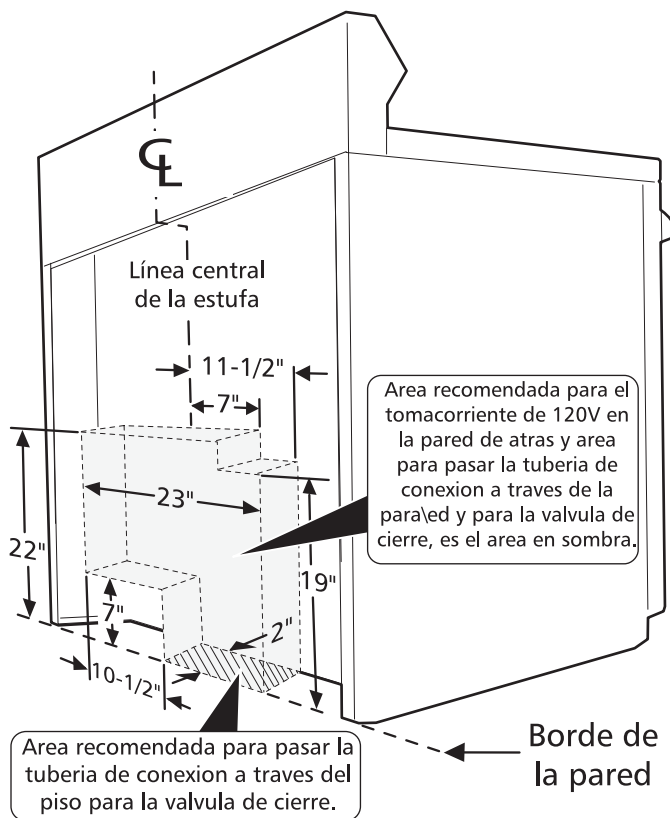
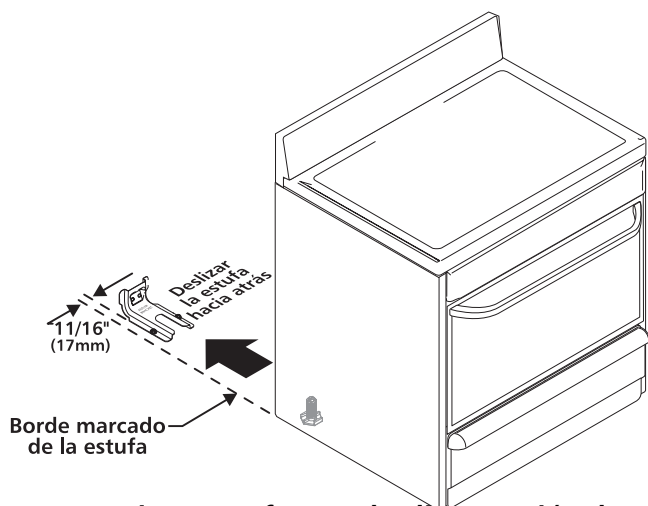
- B. Taladre agujeros pilotos e instale el soporte - Taladre un agujero piloto de 1/8" donde se van a instalar los tornillos. Si el soporte va a ser instalado en la pared, taladre el agujero piloto a un ángulo descendente de aproximadamente 20°. Si el soporte va a ser instalado en pisos de albañilería o cerámica, taladre un agujero piloto de 5/32" de 1-3/4" de profundidad. Los tornillos provistos pueden ser usados en pisos de madera o concreto. Use una llave para tuercas de 5/16" o un destornillador de hoja plana para asegurar el soporte en su lugar.



INSTRUCCIONES DE INSTALACION PARA LA ESTUFA A GAS DE 30"

(Para Modelos con Quemadores Superiores Sellados)

- C. **Nivele y posicione la estufa** - Nivele la estufa ajustando las cuatro (4) patas niveladoras con una llave. Nota: Se debe dejar un espacio libre de por lo menos 1/8" entre la parte inferior de la estufa y la pata niveladora a fin de que quede espacio para el soporte. Use un nivel de burbuja para verificar los ajustes. Deslice la estufa de nuevo a su lugar. Verifique visualmente si la pata niveladora trasera está bien insertada y asegurada en el soporte antivuelco, retirando el panel inferior o el cajón de almacenamiento. Para los modelos con un compartimiento calefactor o compartimiento de asador, sujete la estufa desde el borde superior trasero y trate de inclinarla hacia adelante cuidadosamente.



2. Proporcione una fuente de alimentación de gas adecuada.

Esta unidad ha sido ajustada para operar con un múltiple de admisión para gas natural de 4". Un regulador de presión convertible esta conectado a la válvula distribuidora y DEBE ser conectado en serie con la tubería de suministro de gas. Si el juego de conversión a propano líquido ha sido usado, siga las instrucciones provistas con el juego para convertir el regulador de presión para uso con propano líquido.

Se debe tener cuidado durante la instalación de la estufa para no obstruir el flujo de combustión y la ventilación.

Para la operación apropiada, la máxima presión de entrada al regulador no debe exceder la presión de una columna de agua de 14 pulgadas. La presión de entrada al regulador debe ser por lo menos 1 pulgada más grande que la válvula distribuidora. Ejemplos: Si el regulador ha sido ajustado para gas natural a 4 pulgadas de presión para la válvula distribuidora, la presión de entrada debe ser por lo menos de propano 5 pulgadas; si el regulador ha sido convertido a propano líquido a 10 pulgadas de presión para la válvula distribuidora, la presión de entrada debe ser por lo menos de 11 pulgadas.

La prueba de escapes en el artefacto se deberá efectuar de acuerdo con las instrucciones en el paso 4g.

La línea de alimentación de gas debe tener 1/2" o 3/4" de D.I.

3. Selle las aberturas.

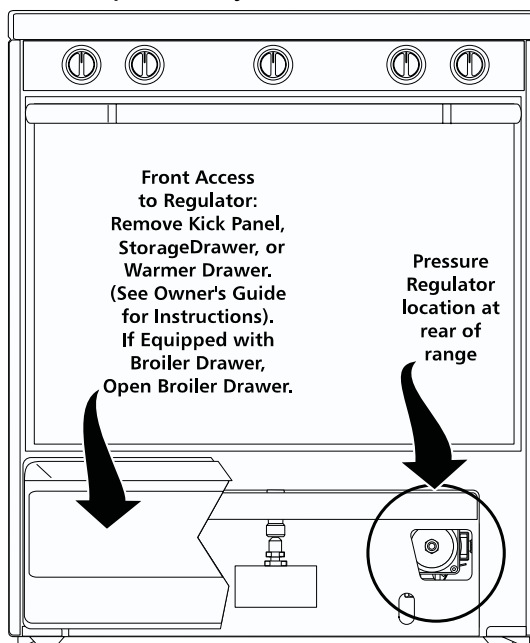
Selle cualquier abertura en la pared detrás de la estufa y en el piso debajo de la estufa una vez que haya instalado la línea de alimentación de gas.

4. Conecte la estufa a la alimentación de gas.

Para evitar fugas, ponga un sellador para juntas de tuberías en todas las roscas macho (exteriores) de la tubería.

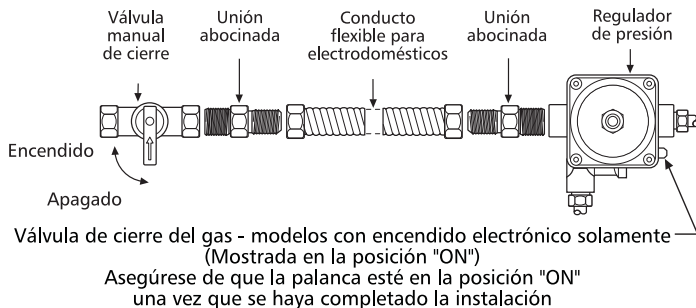
El regulador está ubicado en el área mostrada más a bajo.

⚠ ATENCION No permita que el regulador gire sobre la tubería cuando apriete los ajustes.



INSTRUCCIONES DE INSTALACION PARA LA ESTUFA A GAS DE 30"

(Para Modelos con Quemadores Superiores Sellados)



- Instale una válvula manual de cierre en la línea de alimentación de gas en un lugar de fácil acceso fuera de la estufa. Asegúrese de saber cómo y dónde cerrar la alimentación de gas de la estufa.
- Instale un adaptador para unión abocinada de 1/2" en el regulador de presión.
- Acople el conector para electrodomésticos a la unión abocinada del regulador.
- Instale un adaptador para unión abocinada en la válvula manual externa de cierre.
- Acople el conector para electrodomésticos a la unión abocinada de la válvula de cierre.
- Asegúrese de que la válvula de cierre para servicio en el regulador de presión esté en la posición de "ON" (encendido).
- Compruebe que no haya fugas. Abra la alimentación de gas de la estufa y use un detector de fugas líquido en todas las juntas y conexiones para ver si hay fugas en el sistema.

⚠ ADVERTENCIA No use fuego para comprobar si hay fugas de gas.

Comprobación de la presión de gas del múltiple

Desconecte la estufa y su válvula de cierre individual del sistema de la tubería de alimentación de gas cuando vaya a realizar cualquier prueba de presión de ese sistema con presiones de prueba mayores a 14 pulgadas de presión de columna de agua (aproximadamente 1/2 libra por pulgada al cuadrado manométrica).

Debe aislar la estufa del sistema de la tubería de alimentación de gas cerrando su válvula de cierre manual individual siempre que haga cualquier prueba de presión en el sistema de la tubería de alimentación con presiones de prueba equivalentes a 14 pulgadas de presión de columna de agua o menos (aproximadamente 1/2 libra por pulgada al cuadrado manométrica).

Si fuera necesario comprobar la presión de gas del múltiple, conecte un manómetro (indicador de nivel de agua) u otro dispositivo de presión en el orificio del quemador de la parte posterior derecha superior. Utilice una manguera de caucho con un diámetro interior de aproximadamente 1/4" y mantenga la manguera bien apretada sobre el orificio. Abra la válvula del quemador.

Para lograr una presión exacta, compruebe que haya por lo menos otros dos (2) quemadores superiores con fuego. Asegúrese de que la presión (de entrada) de la alimentación de gas esté por lo menos a 1 pulgada por encima de la presión especificada para el múltiple de la estufa. La presión de la alimentación de gas nunca deberá ser superior a 14 pulgadas de presión de columna de agua. Cuando está correctamente regulada para el gas natural, la presión del múltiple es de 4". Para el gas propano/LP la presión del múltiple es de 10".

5. Lea los detalles siguientes sobre la conexión eléctrica y conecte la electricidad a la estufa.

⚠ ADVERTENCIA Antes de hacer cualquier reparación o mantenimiento, desconecte la alimentación eléctrica en el disyuntor, fusible o cable.

Requisitos eléctricos: un circuito derivado individual, correctamente polarizado y con toma de tierra protegido por un disyuntor o fusible con retardo de 15 amperios. Vea la placa con el número de serie para el voltaje adecuado.

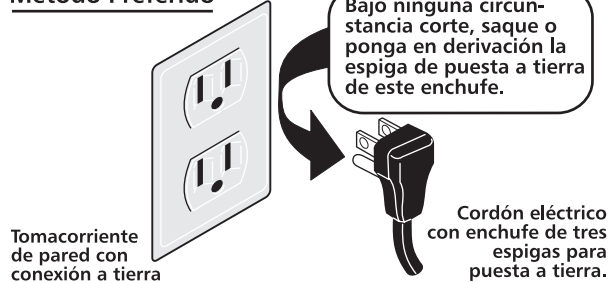
Precauciones con los cables de extensión: dado que existen posibles riesgos bajo ciertas condiciones, recomendamos con insistencia no usar ningún cable de extensión. Sin embargo, si usted prefiere usar un cable de extensión, es absolutamente necesario que sea un cable de extensión para electrodomésticos, con conexión a tierra, trifilar, y listado por UL, y que la capacidad de corriente del cable en amperios sea equivalente o mayor a la capacidad del circuito derivado. Estos cables de extensión están disponibles a través de la organización local de servicio.

⚠ ADVERTENCIA ¡POR FAVOR LEA CON ATENCION! Para seguridad personal, este producto debe ser conectado a tierra adecuadamente.

Instrucciones para la toma de tierra

El cable de este electrodoméstico está equipado con un enchufe (de toma de tierra) con 3 clavijas que entra perfectamente en un tomacorrientes estándar de pared para 3 clavijas con toma de tierra para minimizar la posibilidad de descargas eléctricas causadas por este electrodoméstico. El cliente deberá pedir a un electricista capacitado que examine el tomacorrientes y el circuito para asegurarse de que el tomacorrientes esté debidamente conectado a tierra y polarizado.

Método Preferido



Si sólo se dispone de un tomacorrientes de pared estándar para dos clavijas, el cliente tendrá la responsabilidad y la obligación de reemplazarlo con un tomacorrientes de pared para tres clavijas con puesta a tierra.

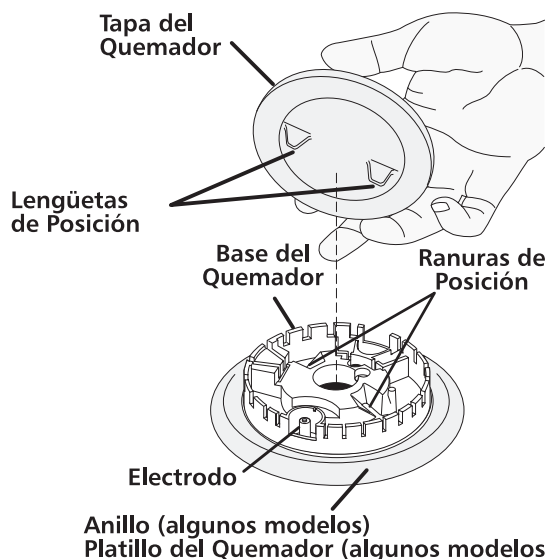
NO CORTE NI SAQUE BAJO NINGUNA CIRCUNSTANCIA LA TERCERA CLAVIJA (DE TOMA DE TIERRA) DEL CABLE.

INSTRUCCIONES DE INSTALACION PARA LA ESTUFA A GAS DE 30"

(Para Modelos con Quemadores Superiores Sellados)

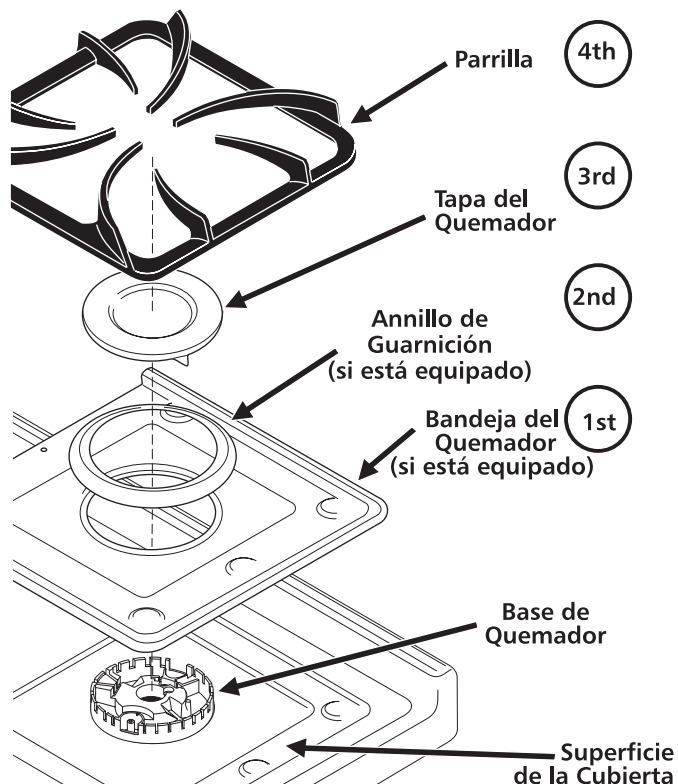
Funcionamiento de los Quemadores Superiores

Esta estufa esta equipada con quemadores sellados como se muestra más abajo.



6. Instalación y Armado de la Tapa del Quemador

Su estufa puede estar equipada con anillos o platillos del quemador, o anillos y platillos del quemador. Instale los platillos (algunos modelos) y los anillos (algunos modelos) de la siguiente forma:

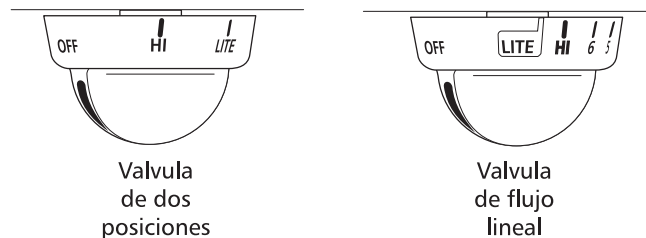


7. Quemadores Superiores de Encendido Eléctrico

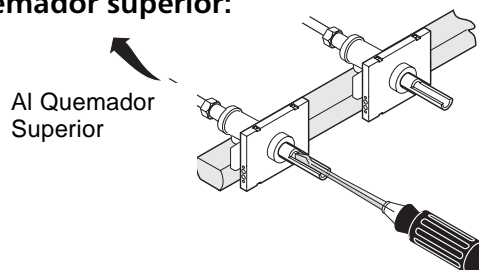
Se debe revisar el funcionamiento de los encendedores eléctricos después de que la estufa y los conectores de la tubería de suministro han sido cuidadosamente revisados para verificar fugas y la estufa ha sido conectada a la energía eléctrica. Las válvulas del gas de los quemadores superiores tienen posiciones de detención en las posiciones "OFF" y "LITE". La perilla debe ser oprimida para que pueda ser girada más allá de estas posiciones de detención.

- Para verificar el encendido adecuado, oprima y gire la perilla de un quemador superior a la posición "LITE". Usted oír el ruido de las chispas del encendedor.
- El quemador superior debe encenderse cuando llega gas al quemador superior. Purgue el aire de las tuberías de suministro dejando la perilla en la posición "LITE" hasta que el quemador se encienda. Todos los quemadores deben encenderse dentro de cuatro (4) segundos en funcionamiento normal después de que el aire ha sido purgado de la tubería de suministro.
- Verifique visualmente si se encendió el quemador. Una vez que el quemador se enciende, la perilla de control debe ser oprimida hacia adentro y girada para sacarla de la posición "LITE".
- Hay electrodos (encendedores) separados para cada quemador. Pruebe cada perilla separadamente hasta que todas las válvulas de los quemadores hayan sido revisadas.

Nota: Los estilos de perillas pueden ser distintos a los que se ilustran a continuación.



8. Regule el ajuste "LOW" (BAJO) para las válvulas del quemador superior:



Prueba para verificar si el ajuste "LOW" debe ser regulado.

- Oprima y gire la perilla de control a LITE hasta que el quemador se encienda.
- Oprima y rápidamente gire la perilla a la POSICION MAS BAJA.
- Si el quemador se apaga, reponga el control en OFF.
- Quitar la perilla de control del quemador superior.
- Insertar un destornillador de hoja delgada en el vástago hueco de la válvula hasta que haga contacto con el tornillo de cabeza ranurada que se encuentra en el interior. El tamaño de la llama se puede aumentar o disminuir haciendo girar el tornillo. Gire a la izquierda para aumentar el tamaño de la llama. Gire a la derecha para disminuir el tamaño de la llama.

Regular la llama hasta que se pueda cambiar rápidamente de "LITE" a "LOWEST POSITION" sin que se extinga la llama. La llama debe quedar lo más pequeña posible pero sin que se apague.

Nota: El ajuste de la mezcla de aire no es necesario en los quemadores superiores.

INSTRUCCIONES DE INSTALACION PARA LA ESTUFA A GAS DE 30"

(Para Modelos con Quemadores Superiores Sellados)

Funcionamiento de los Quemadores del Horno y Ajustes del Horno

9. Encendedor Eléctrico de los Quemadores

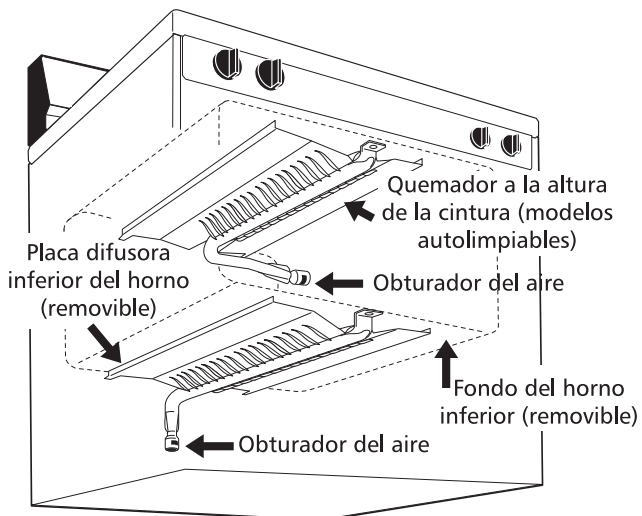
El funcionamiento de los encendedores eléctricos debe ser verificado después de comprobar cuidadosamente si la estufa y los conectores de la tubería de suministro de gas tienen pérdidas y la estufa haya sido conectada a la energía eléctrica.

El quemador del horno está equipado con un sistema de control eléctrico así como con un encendedor eléctrico para el quemador del horno. Si su modelo está equipado con un quemador del asador a la altura de la cintura, también tendrá un encendedor eléctrico para el quemador. Estos sistemas de control no requieren ajustes. Cuando el horno está programado para funcionar, la corriente pasará al encendedor. "Brillará" como si fuera una bombilla. Cuando el encendedor haya alcanzado una temperatura suficiente para encender el gas, la válvula del horno controlada eléctricamente se abrirá y la llama aparecerá en el quemador del horno. Hay un intervalo de tiempo de 30 a 60 segundos después de que el termostato sea puesto en ON (Encendido) antes de que la llama aparezca en el quemador del horno. Cuando el horno llegue a la graduación de la perilla, el encendedor brillante se apagará. La llama del quemador se "apagará" de 20 a 30 segundos después de que el encendedor se ponga en "OFF" (Apagado). Para mantener cualquier temperatura del horno, este ciclo continuará tanto tiempo como se haya previsto con la perilla (o el display).

Después de haber sacado todos los materiales de embalaje y el material impreso del horno:

- Ponga el horno en BAKE (Hornear) a 300° F (148,9° C). Vea la [Guía del Propietario](#) para las instrucciones sobre el funcionamiento.
- Dentro de 60 segundos el quemador del horno deberá encenderse. Compruebe que la llama sea adecuada y deje que el quemador pase por un ciclo. Vuelva a poner los controles en "OFF" (Apagado).
- Si su modelo está equipado con un asador a la altura de la cintura, ponga el horno en BROIL (Asador). Vea la [Guía del Propietario](#) para las instrucciones sobre el funcionamiento.
- Dentro de 60 segundos el quemador del horno deberá encenderse. Compruebe que la llama sea adecuada y deje que el quemador pase por un ciclo. Vuelva a poner los controles en "OFF" (Apagado).

10. Obturador de aire-quemador del horno



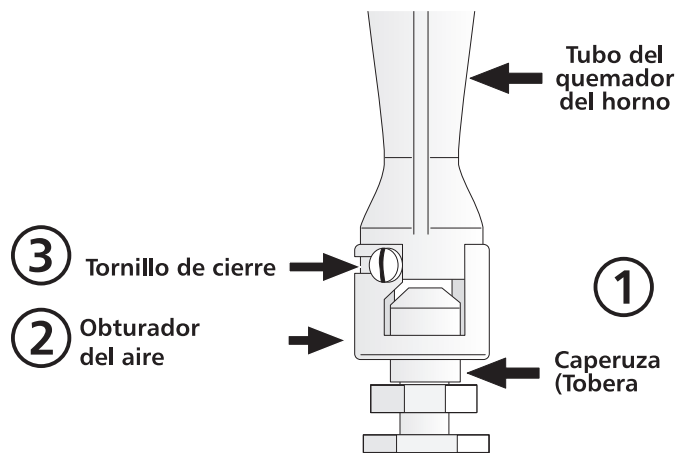
La longitud aproximada de la llama del quemador del horno es de 1 pulgada (2,54 cm) (llama claramente azul por dentro).

Para determinar si la llama del quemador del horno es adecuada, quite el fondo del horno y la placa difusora del quemador y ajuste el horno para hornear a 300° F (148,9° C).

Para quitar el fondo del horno debe quitar los tornillos de sujeción del horno que están en la parte posterior del fondo del mismo. Tire de la parte posterior, desaloje la parte delantera del fondo del horno del bastidor frontal del mismo, y saque directamente el fondo del horno. Quite la placa difusora del quemador de manera que se pueda observar la llama del quemador.

Si la llama es de color amarillo, aumente la abertura del obturador para la mezcla del aire (ver "2" en la ilustración siguiente). Si la llama es muy azul, disminuya la abertura del obturador del aire.

Para modificar la posición del obturador afloje el tornillo (ver "3" en la ilustración siguiente), modifique la posición del obturador y apriete el tornillo. Vuelva a colocar el fondo del horno.



11. Obturador del aire-quemador del asador (si está equipado)

La longitud aproximada de la llama del quemador del asador es de 1 pulgada (2,54 cm) (llama claramente azul por dentro).

Para determinar si la llama del quemador del asador es adecuada, ajuste el horno para asar.

Si la llama tiene un color amarillento, deberá aumentar el tamaño de la abertura del obturador de aire. (Vea "2" en la ilustración anterior). Si la llama es de un color claramente azul, debe reducir el tamaño de la abertura del obturador de aire.

Para ajustar, afloje el tornillo de fijación (vea "3" en la ilustración anterior), vuelva a colocar el obturador de aire y apriete el tornillo de fijación.

INSTRUCCIONES DE INSTALACION PARA LA ESTUFA A GAS DE 30"

(Para Modelos con Quemadores Superiores Sellados)

12. Asegúrese de que la estufa esté nivelada.

Nivele la estufa colocando un nivel horizontalmente sobre una parrilla del horno. Compruebe diagonalmente de delante hacia atrás, y luego nivele la estufa ya sea ajustando las patas niveladoras o colocando calces bajo las esquinas de la estufa según sea necesario.

13. Una vez que haya terminado la instalación, asegúrese de que todos los controles estén colocados en la posición OFF (Apagada).

Ubicación del Número de Modelo y de Serie

Para hornos de porcelana esmaltada, la placa con el número de serie está ubicada en el lado derecho del horno, en el área del cajón de almacenamiento o el quemador de asar.

Para hornos de limpieza continua, la placa con el número de serie está ubicada en el borde delantero derecho del protector del piso en el compartimiento del asador.

Cuando pida piezas o tenga preguntas acerca de su estufa, asegúrese siempre de incluir los números de modelo y serie y un número o letra de lote de la placa con el número de serie de su estufa.

La placa con el número de serie también le indica la capacidad de los quemadores, el tipo de gas y la presión para la cual fue ajustada la estufa en la fábrica.

Antes de Llamar al Servicio

Asegúrese de que los fusibles de la casa o los disyuntores para su estufa no estén fundidos o abiertos. Vea la Lista de Chequeo para Evitar el Servicio y las instrucciones para el funcionamiento en la Guía del Propietario. Puede ahorrarle tiempo y dinero. La lista incluye los problemas comunes que no son el resultado de una fabricación o materiales defectuosos de este electrodoméstico.

Lea la garantía en la [Guía del Propietario](#) para encontrar nuestro teléfono gratis y la dirección para obtener servicio. Llame o escriba si tiene preguntas acerca de su estufa y/o necesita pedir piezas.

Cuidado, Limpieza y Mantenimiento

Lea la [Guía del Propietario](#) para ver las instrucciones sobre el funcionamiento y la limpieza.

Si tiene que sacar la estufa para limpiarla o hacer algún mantenimiento, corte la alimentación de gas. Desconecte la alimentación de gas y electricidad. Si la alimentación de gas o electricidad es inaccesible, levante la estufa ligeramente en la parte delantera y jale para alejarla de la pared. Jale solamente lo que sea necesario para desconectar la alimentación de gas y electricidad. Termine de sacar la estufa para el servicio y la limpieza. Vuelva a instalarla en el orden inverso asegurándose de nivelar la estufa y comprobar las conexiones de gas para ver si hay fugas. Vea la página 19 para obtener las instrucciones sobre la fijación correcta.

Instalación de la Repisa para Especies.

Esta estufa está equipada con una repisa para especias opcional. Para instalar la repisa en la parte superior de la estufa:

- Utilizando un destornillador Phillips, saque los cuatro tornillos de la parte trasera de la estufa como se muestra en la figura siguiente.
- Usando estos cuatro tornillos instale los dos postes de soporte (provistos) a la parte trasera de la estufa.
- Coloque la repisa en estos soportes. Asegúrese de que el labio superior trasero quede enganchado en los postes de soporte y las bridas de la parte trasera de la repisa queden alrededor de los postes de soporte como se muestra.

