



# Whirlpool® 30" Freestanding Gas Range

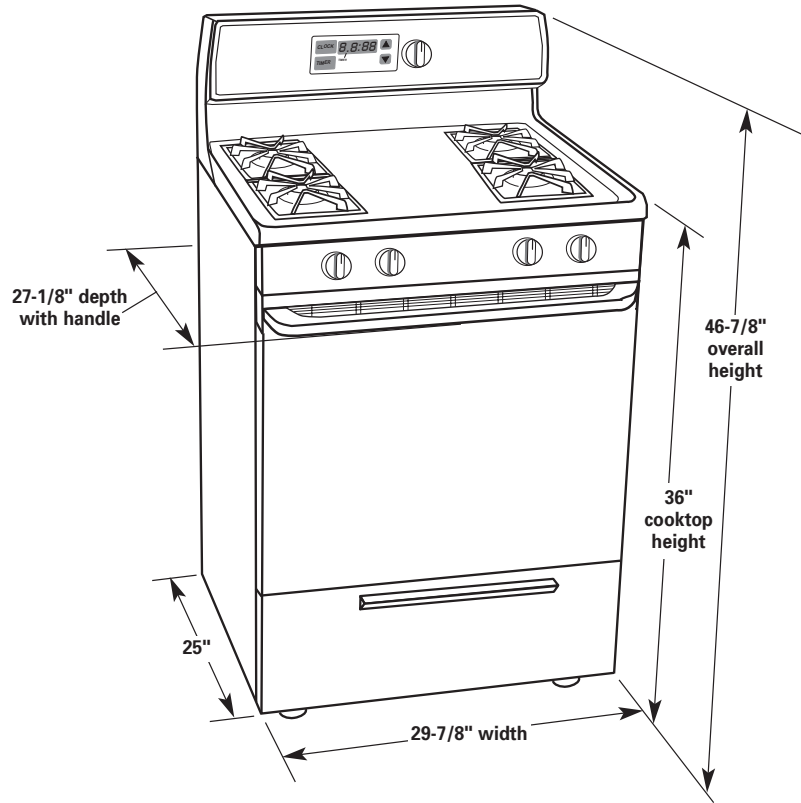
## PRODUCT MODEL NUMBERS

SF340BEH	SF357BEK
SF341BEK	SF357PEK
SF356BEK	TGS325G
SF357BEH	

**Gas supply:** Use 3/4" rigid pipe gas supply line to the range location. A smaller size pipe on long runs may result in insufficient gas supply. With L.P. gas, piping or tubing size can be 1/2" minimum. If local codes permit, it is recommended that new flexible metal tubing, design-certified by AGA or CSA, 4-5 feet long, 1/2-inch or 3/4-inch I.D., be used for connecting the range to the rigid gas supply line. A 1/2" male pipe thread is needed for connection to pressure regulator female pipe threads. An individual manual shutoff valve must be located in the same room, but external to the range.

**Electrical:** A 120-volt, 60-Hz, AC-only, 10-ampere, electrical supply fused on both sides of the line. A separate circuit is recommended. A time-delay fuse or circuit breaker is recommended.

## OVERALL DIMENSIONS



## CABINET OPENING DIMENSIONS

