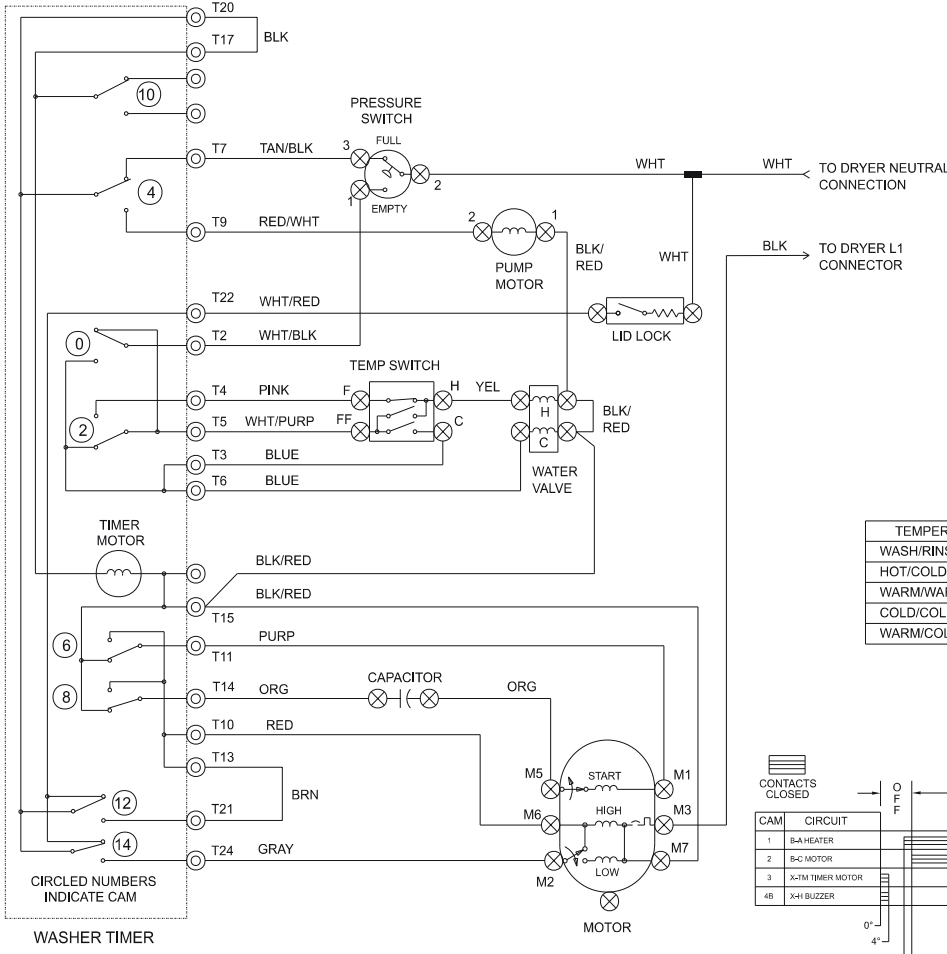
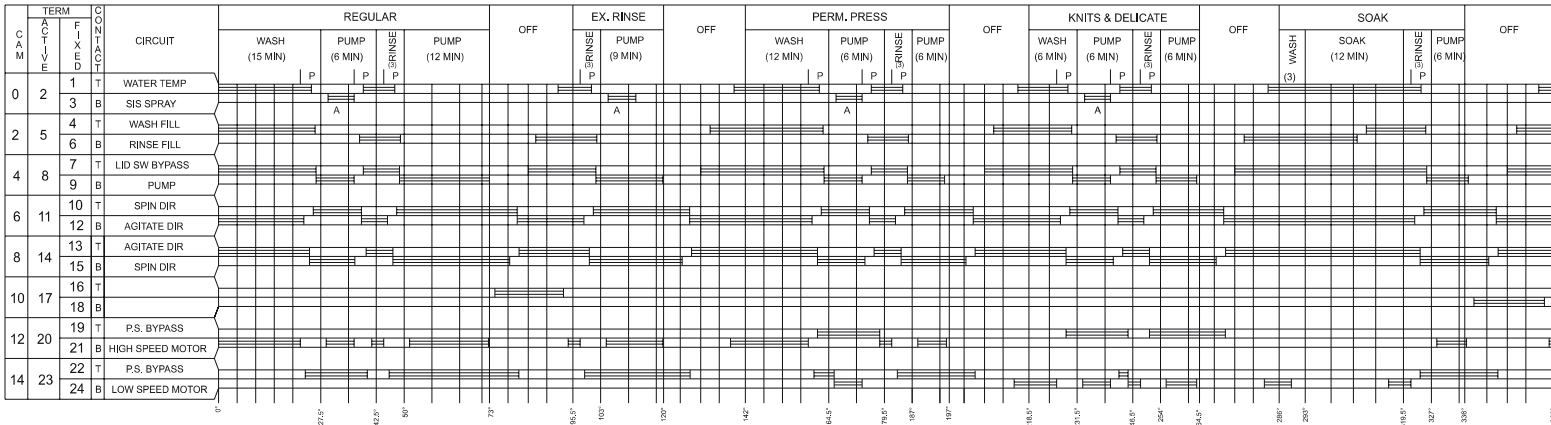
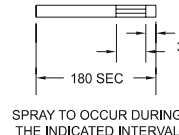


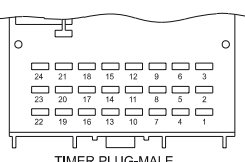
CAUTION: DISCONNECT ELECTRIC CURRENT BEFORE SERVICING



SUBINTERVAL SPRAY DETAIL



SPRAY TO OCCUR DURING THE INDICATED INTERVAL



TIMER PLUG-MALE (END VIEW)

WIRING CODES

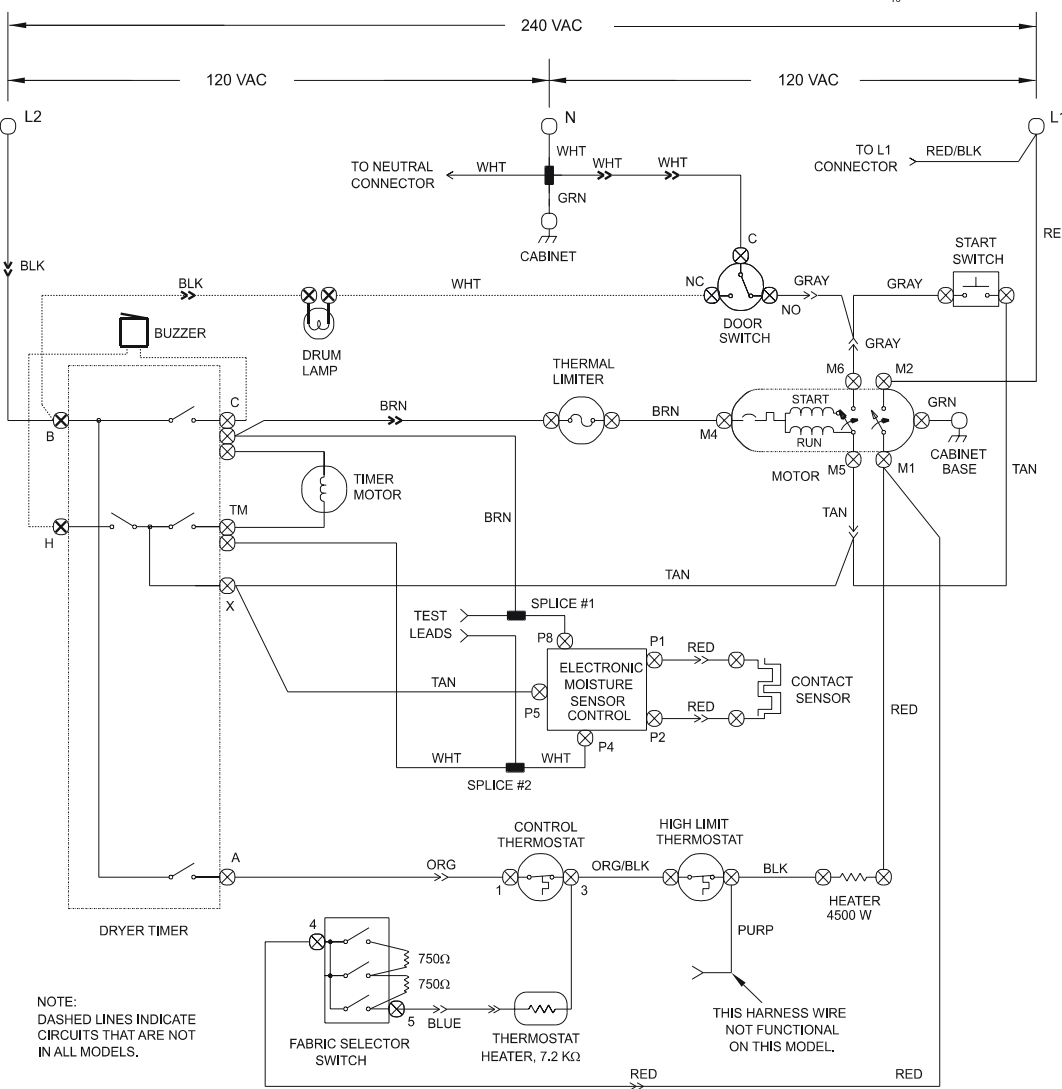
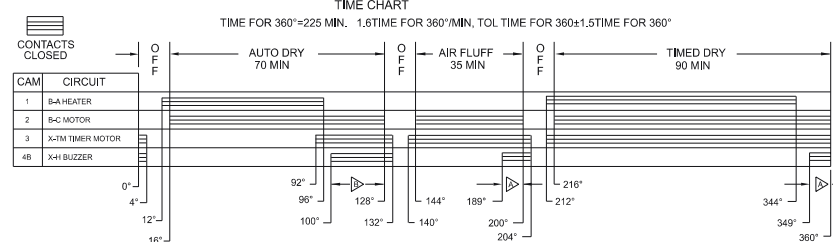
- ⊙ PLUG IN TIMER TERMINAL
- ⊗ QUICK DISCONNECT TERMINAL
- SCREW TERMINAL
- CONNECTION
- + NO CONNECTION
- ⏏ MOTOR SWITCH
- SPLICE
- ⏏ MOTOR PROTECTOR
- ⏏ CHASSIS (CABINET) GROUND
- HARNESS CONNECTOR TERMINAL
- ⊗ INSULATED TERMINAL

- NOTES:
- ALL WIRING MUST CONFORM TO LOCAL ELECTRICAL CODES.
  - CONNECT DRYER TO 30 AMP INDIVIDUAL BRANCH CIRCUIT.
  - DRYER TIMER3. SHOWN IN OFF POSITION DOOR SWITCH CLOSED, MOTOR AT REST, THERMOSTAT CLOSED, AND FABRIC SELECTOR SWITCH AT HIGH HEAT.
- WASHER TIMER SHOWN IN ON POSITION TEMPERATURE SELECTOR SWITCH AT HOT WASH/COLD RINSE, AND PRESSURE SWITCH FULL.

TEMPERATURE SWITCH CIRCUIT

WASH/RINSE	F-H	FF-H	FF-C
HOT/COLD	X	O	O
WARM/WARM (OPT)	O	X	X
COLD/COLD	O	O	X
WARM/COLD	X	O	X

X=CLOSED O=OPEN



THE BAR CHART ABOVE REPRESENTS ONE COMPLETE REVOLUTION OF TIMER SHAFT.

SHADED PORTION OF BAR CHART INDICATES THE PROPORTIONAL TIMES THAT INTERNAL TIMER CONTACTS ARE CLOSED.

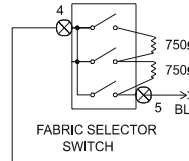
A PULSER CAM, LOCATED NEXT TO THE BUZZER CAM AND ROTATING AT 12 REVOLUTIONS PER HOUR, ALLOWS CIRCUIT "X-H" TO CLOSE FOR 5 SECONDS (±3 SECONDS)

- ▷ 1 OR 2 TIMES IN THIS AREA
- ▷ 3 TO 4 TIMES IN THIS AREA

FABRIC SELECTOR SWITCH

POSITION	FUNCTION	RESISTANCE (4-5)
1	HIGH	OPEN CIRCUIT
2	MEDIUM	1.5KΩ 1.5K±5%
3	MEDIUM/LOW	750Ω 750±5%
4	LOW	10Ω MAX

NOTE: DASHED LINES INDICATE CIRCUITS THAT ARE NOT IN ALL MODELS.



THIS HARNESS WIRE NOT FUNCTIONAL ON THIS MODEL.