

# INSTALLATION INSTRUCTIONS for



## ELECTRIC COMMERCIAL DRYER

Before you begin, read the following instructions completely and carefully. They will simplify the installation.

**AFTER COMPLETING THE INSTALLATION, SAVE THESE INSTRUCTIONS FOR FUTURE USE.**

**Appliance as received from factory is equipped for 230-Volt 2-Wire, Single Phase, 50-Hz Electrical Power Supply.**

This appliance **MUST BE** installed according to all national and local governing codes and ordinances.

### FOR YOUR SAFETY

DO NOT store or use gasoline or other flammable vapors and liquids in the vicinity of this or any other appliance.

Post this caution in a prominent location.

**NEVER** install the dryer up against draperies or curtains or on carpet and be sure to keep any and all items from falling or collecting behind the dryer.

### NON COIN MODELS

On non coin operated models, the console features a Push-To-Start button.

### COIN OPERATED MODELS

On models equipped with a coin operated console, the console houses the accumulator timer. Coin slide mechanism access door lock, key and coin vault and key can be supplied by the same source that furnished this dryer.

The accumulator timer is set to accumulate 30 minutes (6 pins) drying time when activated by the coin slide. Two additional timing cams for 20 minute (9 pins) and 45 minute (4 pins) time increments are included in the miscellaneous parts bag.

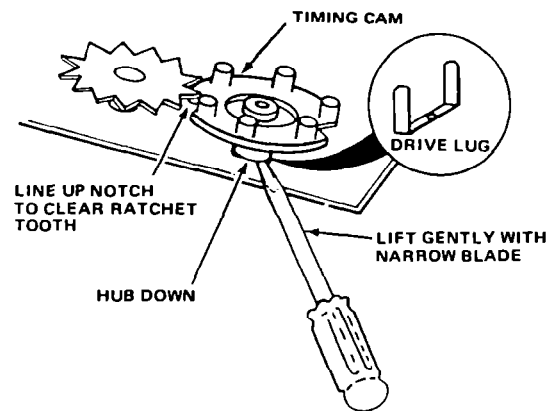


FIGURE 1

### INSTALLING AND REPLACING NYLON TIMING CAMS ON ACCUMULATOR MECHANISMS

**INSTALL BEFORE COMPLETING ELECTRICAL CONNECTION.**

#### 1. Removal of nylon timing cam

- Rotate cam by hand until "V" notch lines up underneath the ratchet tooth. (See Figure 1)
- Insert narrow screwdriver under nylon cam, close to the clock shaft. Lift gently off shaft. Make sure that pressure is directly upward and the "V" notch clears the ratchet tooth.

#### 2. Replacement of new timing cam

- Place cam (hub down) over clock shaft, lining up flat on shaft with flat of cam hole. (Be sure drive lug is in place.)
- Rotate cam until "V" notch lines up with ratchet tooth.
- Press down to seat cam on motor shaft. Make sure that "V" notch freely clears ratchet tooth.

### INSTALLING OR CHANGING SLIDE MECHANISM

- Remove the service access door of the meter case. Lift the service access door top up at the back to remove. On new dryers install the service access door lock.
- Carefully remove and insert the coin slide mechanism through the opening in the front of the meter case console.
- Secure the coin slide mechanism with the  $\frac{3}{16}$ " bolt (supplied in the parts bag) from inside the meter case (See Figure 2).

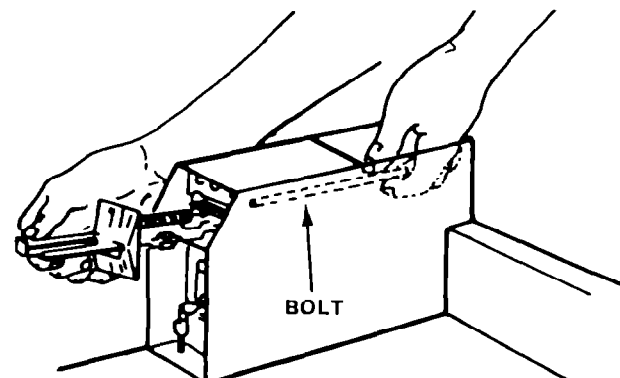


FIGURE 2

# ELECTRICAL REQUIREMENTS

OBSERVE ALL NATIONAL AND LOCAL GOVERNING CODES AND ORDINANCES.

1. A two wire, Single Phase, 230 Volt, 50 Hz, AC only, electrical power supply is required on a separately fused 15 Ampere circuit. (Time delay fuse or circuit breaker is recommended.)
2. AN EXTENSION CORD SHOULD NOT BE USED WITH THIS APPLIANCE. SUCH USE MAY RESULT IN A FIRE, ELECTRICAL SHOCK OR OTHER PERSONAL INJURY.
3. An adequate electrical ground is required within 4 feet (1.2 m) of the appliance location, using the ground wire supplied.

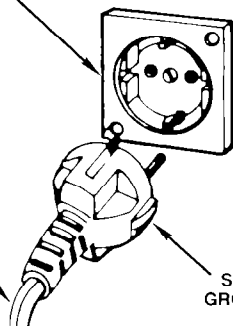
## ELECTRICAL CONNECTION

**DO NOT, UNDER ANY CIRCUMSTANCES, REMOVE THE POWER SUPPLY CORD GROUNDING TABS.**

For your personal safety, this appliance must be grounded. This appliance is equipped with a Schuko-type power supply cord having a grounding plug. To minimize possible shock hazard, the cord must be plugged into a mating grounding-type wall receptacle, grounded in accordance with National Electrical Code, and local codes and ordinances. (See Figure 3). If a mating wall receptacle is not available, it is the personal responsibility and obligation of the customer to have a properly grounded wall receptacle installed by a qualified electrician. For added personal safety, use clamp and green colored copper grounding wire. Connect the grounding wire (#18 minimum) from the external grounding connector on the back of the dryer to a grounded cold water pipe. \* (See Figure 4)

SCHUKO GROUNDING TYPE WALL RECEPTACLE

POWER SUPPLY CORD



SCHUKO GROUNDING PLUG

FIGURE 3

Do Not ground to a gas supply pipe.

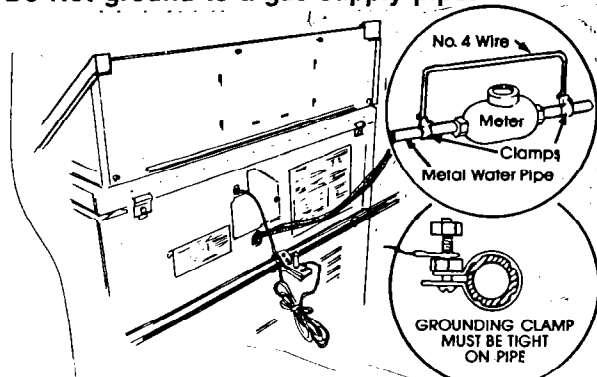


FIGURE 4

Electrical ground is required on this appliance.

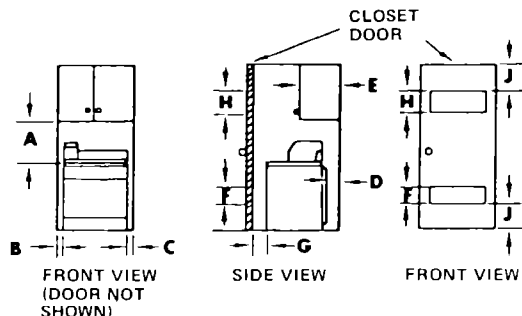
\* Grounded cold water pipe must have metal continuity to electrical ground and not be interrupted by plastic, rubber or other electrical insulating connectors such as hoses, fittings, washer or gaskets (including water meter or pump). Any electrical insulating connector should be jumped as shown in (Figure 4) with No. 4 wire securely clamped to bare metal at both ends.

## INSTALLATION PROCEDURE

1. Open the dryer door and remove the shipping tape holding the dryer drum to the cabinet.
2. Remove all literature and installation parts from the dryer drum.
3. Block up the front of the appliance about four inches (10 cm) and install leveling feet in the front corners. These feet should extend approximately one inch (2.5 cm). Remove the block and repeat the procedure at the rear of the appliance.
4. Refer to the Exhausted System Requirements in these instructions.
5. Move the appliance into its permanent position. Level appliance from front to back and from side to side by adjusting the leveling feet.

## INSTRUCTIONS FOR RECESSED OR CLOSET INSTALLATIONS

The following installation spacings and door air openings for the dryer are possible when installed and exhausted as noted. (Spacing as indicated is in inches and is minimum allowable. For ease of installation and service, additional spacing should be considered.)



TO PREVENT LARGE AMOUNTS OF LINT AND MOISTURE FROM ACCUMULATING AND TO MAINTAIN DRYING EFFICIENCY, THIS MACHINE MUST BE EXHAUSTED OUTDOORS.

## MINIMUM INSTALLATION SPACING

RECESS INSTALLATION	A	B	C	*** D	E
NON-EXHAUSTED (DEFLECTOR P/N 346001 (LCK4000))		1 (2.5cm)	1 (2.5cm)	4 (10cm)	*
EXHAUSTED	15" (38cm)	1 (2.5cm)	1 (2.5cm)	1 (2.5cm)	14" MAX (36cm)

CLOSET INSTALLATION	A	B	C	*** D	** F	G	** H	J
EXHAUSTED ONLY	15" (38cm)	1	1	4	24 sq. in. (155cm <sup>2</sup> )	1	48 sq. in. (310cm <sup>2</sup> )	3" (8cm)
Unobstructed air openings required for laundry equipment when door is installed.								

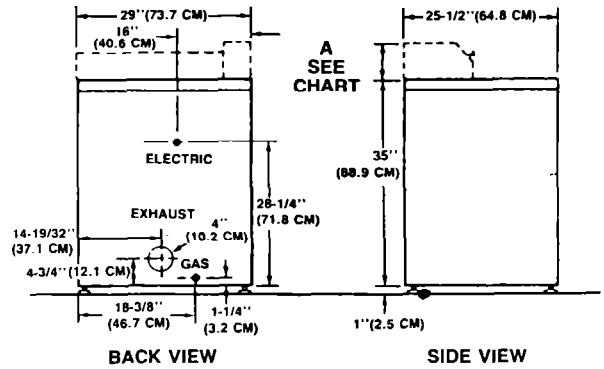


FIGURE 5

	A
Non coin model	7 1/8" (18.1 cm)
Coin model	7 7/8" (20.0 cm)

\*Shelf or cabinet is not permitted above dryer when non-exhausted.

\*\*Louvered door with equivalent air openings is acceptable.

\*\*\*"D" Dimension must be measured from dryer cabinet rear panel.

Companion appliance spacings should be considered.

NOTE: No other fuel burning appliance may be installed in the same closet.

## EXHAUST SYSTEM REQUIREMENTS

**1. CAUTION: FOR YOUR PERSONAL SAFETY DO NOT EXHAUST DRYER INTO A CHIMNEY, FURNACE COLD AIR DUCT OR ANY OTHER COMMON DUCT, ATTIC OR CRAWL SPACE. ACCUMULATED LINT COULD BECOME A FIRE HAZARD OR MOISTURE COULD CAUSE DAMAGE.**

### DO NOT USE 3 INCH EXHAUST DUCT

2. You can get the parts you need for installation from your Whirlpool parts distributor or your local plumbing and heating store.

3. We strongly recommend exhausting the dryer to the outside to prevent large amounts of moisture and lint from being blown into the room.

4. If you cannot exhaust your dryer to the outside, use Exhaust Deflector Kit Part No. 346001 (LCK4000) available from your Whirlpool Dealer.

5. Exhaust outlet at rear of the dryer is located as shown in (Figure 5). Detailed instructions on spacing for side and rear clearances can be found in the section "Instructions for Recessed or Closet Installation." Information on minimum spacing side to side and to the rear is also found on a label located on back panel.

6. We strongly recommend exhausting with 4 inch diameter rigid METAL duct. We strongly recommend METAL flexible duct if you use flexible duct. Flexible aluminum duct is available from your Whirlpool dealer or parts distributor. NEVER USE SMALLER THAN 4 INCH EXHAUST DUCT.

7. The exhaust may be routed up, down, left, right or straight through the wall.

8. The exhaust duct should terminate with an exhaust hood to prevent back drafts. The outlet of the hood must be at least 12 inches (30.5cm) from the ground or any obstruction. A louvered exhaust hood, Part Number 279399 is available from your Whirlpool dealer or parts distributor. An exhaust hood with a 2 1/2 inch (6.4cm) outlet creates more back pressure, but may be used with shorter systems. Never use an exhaust hood with a magnetic latch.

9. The maximum length of the exhaust system depends upon the type of duct used, the number of elbows and type of exhausted hood. The maximum length for both rigid and flexible duct is shown in the chart, (Figure 6).

NUMBER OF 90° TURNS	EXHAUST HOOD TYPE			MAXIMUM LENGTH OF 4" DIA. RIGID METAL DUCT.
0	43 FT. (13.1m)	41 FT. (12.5m)	36 FT. (11.0m)	MAXIMUM LENGTH OF 4" DIA. RIGID METAL DUCT.
1	33 FT. (10.1m)	31 FT. (9.4m)	26 FT. (7.9m)	
2	23 FT. (7.0m)	21 FT. (6.4m)	16 FT. (4.9m)	
0	30 FT. (9.1m)	29 FT. (8.8m)	24 FT. (7.3m)	MAXIMUM LENGTH OF 4" DIA. FLEXIBLE METAL DUCT
1	24 FT. (7.3m)	23 FT. (7.0m)	18 FT. (5.5m)	
2	16 FT. (4.9m)	15 FT. (4.6m)	10 FT. (3.0m)	

FIGURE 6

10. Use duct tape to seal all joints. Never use screws to assemble the ductwork, screws can catch lint.
11. Exhaust systems longer than specified will shorten the life of the dryer and result in reduction of performance such as longer drying time and increased use of energy. Lint may also accumulate creating a possible safety hazard. The exhaust system should be cleaned periodically, at least every two years.
12. We do NOT RECOMMEND non-metallic flexible duct. If you use non-metallic flexible duct you must connect a METAL elbow and at least 2 feet (61cm) of METAL duct to the dryer outlet. The length of the non-metallic flexible duct should not exceed 7 feet (2.1m), and it must be adequately supported to prevent sagging or kinking. (See Figure 7).

NEVER INSTALL ANY TYPE OF FLEXIBLE DUCT CONCEALED IN WALLS OR CEILING.

## TYPICAL EXHAUST INSTALLATIONS

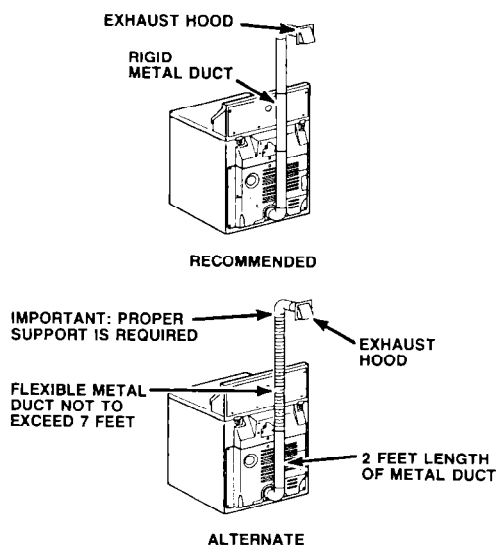


FIGURE 7

For your personal safety, a metal elbow and at least 2 feet (61cm) of metal duct must be used at the outlet of the dryer. This reduces the possibility of lint blocking the exhaust system and minimizes the potential of a fire hazard. The 2 feet (61cm) of metal duct also helps make any service that may be needed easier and prevents crushing the flexible duct when the dryer is moved to its final operating location.

## IMPORTANT OPERATING INFORMATION

All models as received may have some accumulated time remaining on the timer due to factory testing. After connecting the electrical supply, use the following to check operation.

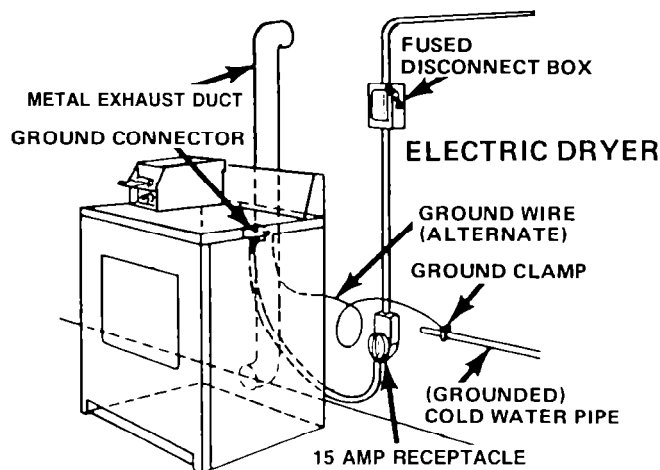
## CHECK OPERATION

1. Make sure the electric power is connected and proper electrical contact made. Check fuses to be sure they are good and tight.
2. To start dryer:  
NOTE: Loading door must be closed for dryer to operate.
  - a. Non coin operated models: Push timer set button down. (Operating time will accumulate per number of depressions and type of timing cam used.) Push START/RESTART button. Dryer will stop when time is used up.
  - b. Coin-operated models: Insert coins in slide and press slowly. Operating time will accumulate per number of coins and type of timing cam used. Depress Push-to-Start button. Dryer will stop when time is used up.
  - c. When door is opened, dryer stops, but timer continues to run. To restart, close door and push START/RESTART button.
3. If drying time is too long, make sure lint screen is clean.
4. Periodically inspect motor and blower for lint accumulation. Large quantities of lint in these areas will affect performance of the dryer.

## BEFORE MOVING DRYER

1. Shut off electric supply to the dryer.
2. Disconnect power supply cord from wall receptacle.
3. Make sure leveling legs are secure in dryer base.
4. Apply filament tape from inside drum, out the door opening to the front panel to prevent drum movement.
5. Use masking tape to secure clothes door and lint screen lid.

## ILLUSTRATION SHOWING COMPLETE TYPICAL INSTALLATION



Printed on recycled paper. 10% post consumer waste/50% recovered materials.

