



Frigidaire

Factory Parts Catalog

Product No.	CFMV156FMC
Market	Canada
Color	silver
Volts	120
Watts	950
Wiring Diagram	5995554119
Owner's Guide	TINSEB445MRR2
Installation Instructions	TINSEB386MRR1

 **Electrolux**

Electrolux Major Appliances
North & Latin America
5855 TERRY FOX WAY
MISSISSAUGA, ONTARIO, CANADA L5V
3E4

Publication No.
5995554119
09/10/20
(EN/SERVICE/KC)
099

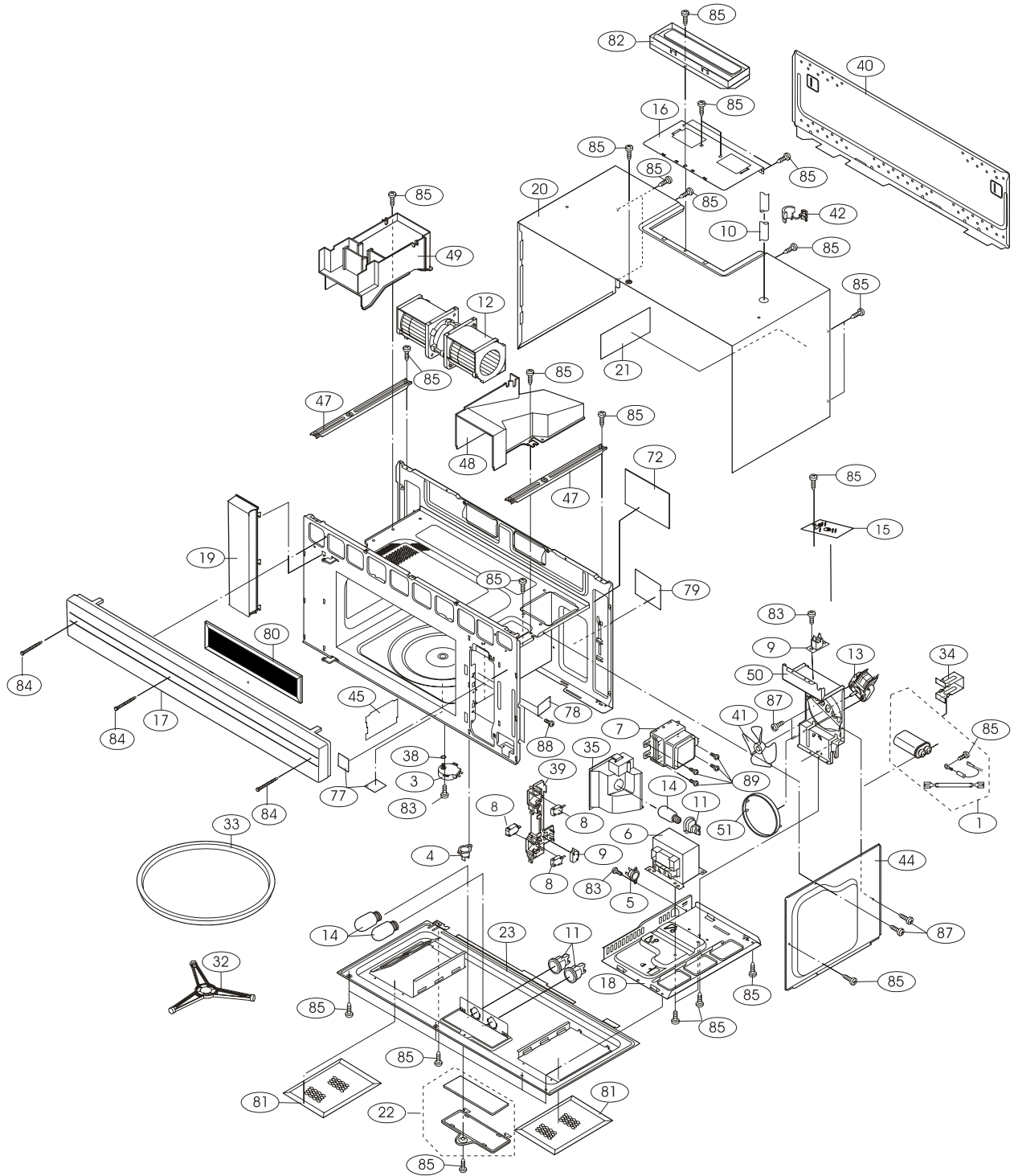
**OVER-RANGE
MICROWAVE**

Model No.
CFMV156F

Copyright © 2009 Electrolux Home Products, Inc.
All rights reserved.

OVEN, CABINET

OVEN AND CABINET PARTS



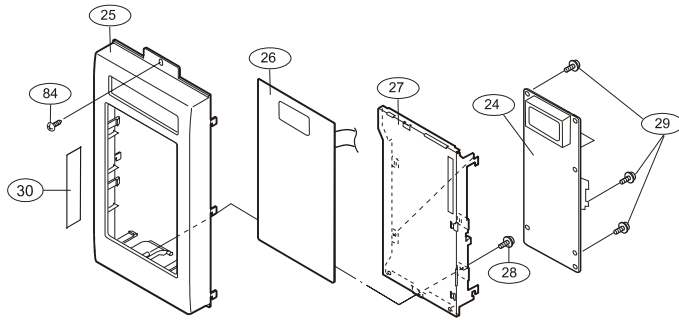
CFMB156FMB-CAB

OVEN,CABINET

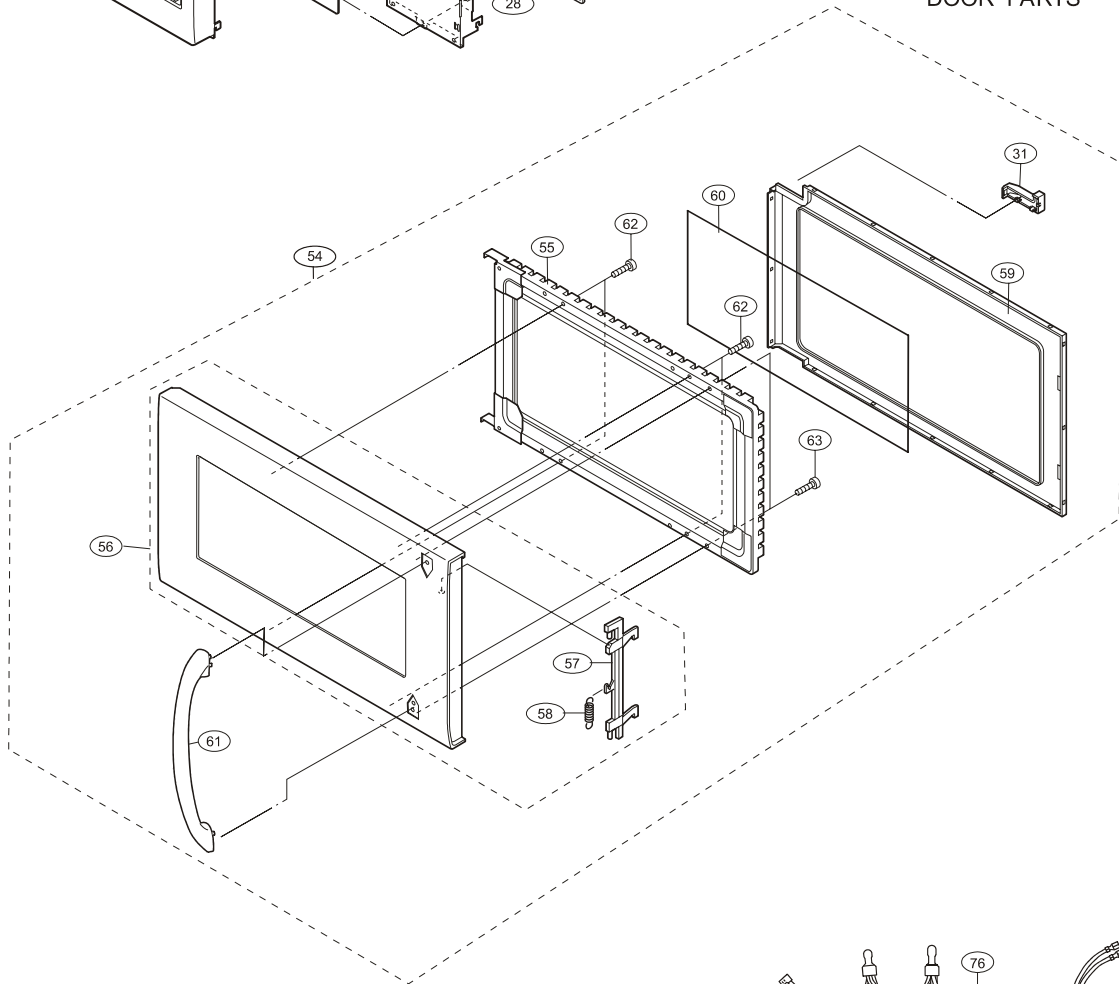
POS. NO	PART NO.	DESCRIPTION
1 #	5304461681	HV Assy, incl rectifier, capacitor, wire
3 #	5304448488	Motor, turntable
4 #	5304440032	Thermal Cutout, oven cavity
5 #	5304440023	Thermal Cutout, hood
6 #	5304461585	Transformer, power
7 #	5304448837	Magnetron
8 #	5304440026	Switch, interlock, door sensor
9 #	5304440027	Switch Kit, monitor, with CT fuse
10 #	5304440028	Power Cord, electric
11 #	5303319561	Receptacle, lamp socket, oven
12 #	5304441847	Motor, hood fan
13 #	5304441848	Motor, cooling fan
14	5304440031	Lamp, incandescent, 20 W, (3)
15 #	5303322968	Filter, noise, electronic
16	5304441849	Plate, rear stay
17	5304458567	Grille, exhaust louver, black
18	5304461266	Base, transformer, right side
19	5304453718	Panel, front trim, silver, LS
20	5304441858	Cabinet, outer casing, black
21	5304441905	Wiring Diagram, schematic
22	5303319573	Lens/Frame Assy, lamp
23	5304451815	Cover, unit base, black
32	5304440284	Support Assy, turntable
33	5304441872	Tray, turntable, glass
34	5304441873	Retainer, capacitor strap
35	5304458569	Duct, magnetron
38	5304440288	Bushing, motor shaft, turntable
39	5304440289	Latch Hook
40	5304461267	Bracket, mounting plate, rear
41 #	5304440843	Fan Blade, cooling fan
42	5303319605	Bushing, grommet, power cord
44	5304441876	Duct, hood intake, right side
45	5304440845	Cover, waveguide
47	5304441877	Support, chassis
48	5304441878	Duct, hood intake, right side
49	5304441879	Duct, exhaust hood, left side
50	5304461586	Duct, cooling fan
51	5304441881	Ring, fan orifice
72	5304451533	Label, NHW caution
77	5304441900	Label, Caution-DHHS
78	5304440334	Label, Caution-monitor
79	5304440333	Label, Caution-DHHS
80 #	5304456425	Filter, inside exhaust, charcoal
81 #	5303319568	Filter, grease, (2)
82	5304440283	Damper Assy, exhaust
83	5304453725	Screw, 3mm x 8mm
84	5303319640	Screw, black
85	5304451553	Screw, 4 mm x 12 mm
87	5304450253	Screw, 4 mm x 8 mm
88	5303319641	Screw
89	5303319636	Screw

CONTROL PANEL,DOOR,MISC.

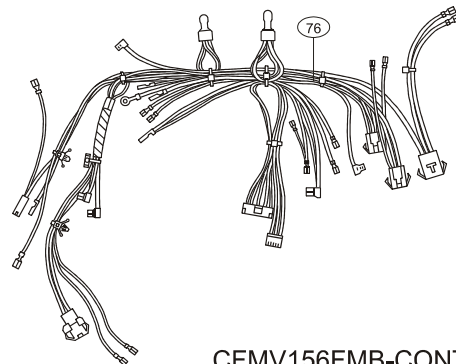
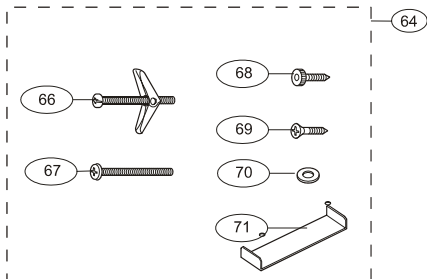
CONTROL PANEL PARTS



DOOR PARTS



MISCELLANEOUS



CFMV156FMB-CONTROL

CONTROL PANEL,DOOR,MISC.

POS. NO	PART NO.	DESCRIPTION
24 #	5304441863	Control Board, printed circuit
25	5304453719	Frame, control panel, silver
26 #	5304441868	Switch, touch pad, black
27	5304440281	Panel, control mount
28	5304458568	Screw, 3 mm x 10 mm
29	5304456930	Screw, 3 mm x 10 mm
30	5304440346	Label, User Caution
31	5304441871	Door Stop
54	5304453720	Door Assy, silver, w/handle
55	5304441887	Panel, inner door, black
56	5304461712	Frame, outer door, silver
57	5304440314	Latch, door
58	5304440316	Spring, door latch
59	5304441894	Frame, choke cover, inner door
60	5304440860	Seal, door, film
61	5304440323	Handle, door, black
62	5304451561	Screw, 4 mm x 8 mm
63	5304458213	Screw, 4 mm x 12 mm
64	5304461272	Hardware, installation, kit
66	5303318762	Screw, toggle
67	5304453895	Screw, 5mm x 85mm
68	5303318767	Screw, 4mm x 12mm
69	5304453723	Screw, 5mm x 35mm
70	5304453724	Washer
71	5304441896	Bracket, scale plate
76 #	5304441907	Wiring Harness, main
84	5303319640	Screw, black
*	5304458571	Template, installation, top/wall

WIRING DIAGRAM

SCHMATIC
 NOTE: CONDITION OF OVEN
 1. DOOR CLOSED.
 2. CLOCK APPEARS ON DISPLAY.

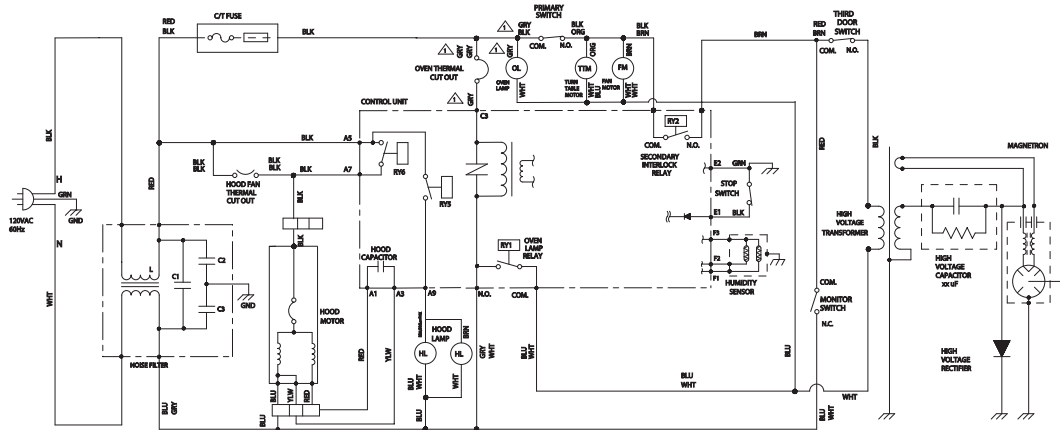


Figure O-1. Oven Schematic-Off Condition

SCHMATIC
 NOTE: CONDITION OF OVEN
 1. DOOR CLOSED.
 2. COOKING TIME PROGRAMMED.
 3. VARIABLE COOKING CONTROL "HIGH".

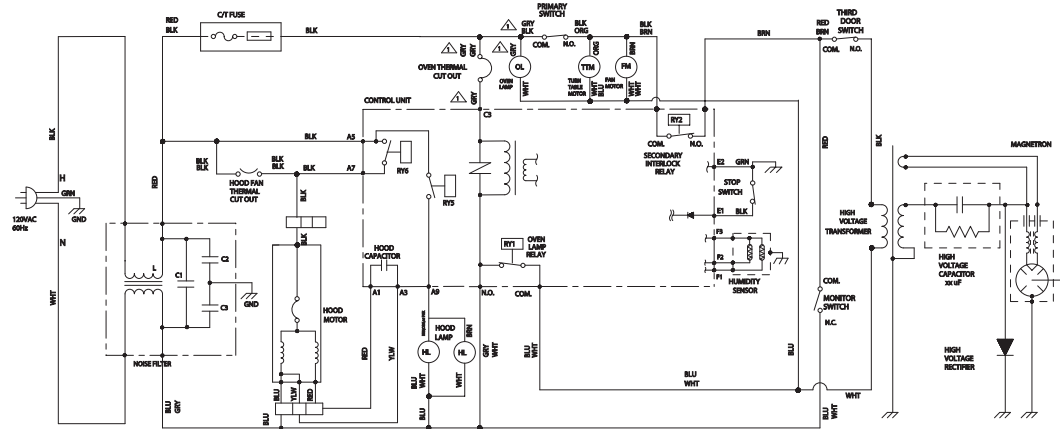


Figure O-2. Oven Schematic-Cooking Condition