



Dishwasher Installation Instructions



INSTALLER: Leave Installation Instructions with owner.
OWNER: Read your dishwasher Use and Care Guide. It contains important safety information for operating this appliance. It also has many suggestions for getting the best results from your dishwasher.

Printed in U.S.A. 154425201 (03/02)
 Sears, Roebuck and Co., Hoffman Estates, IL 60179 U.S.A.

Before You Begin

Read all instructions before installing dishwasher.
 For your safety, please read and observe all safety instructions. This guide will help you anticipate drain, water, and electrical connections, and help you select the best location for the dishwasher.

WARNING

Tip Over Hazard
 Do not use dishwasher until completely installed.
 Do not push down on open door.
 Failure to follow this warning can result in serious injury.

Installation Tips

Tools and Materials Needed for Installation

- Drill, Electric
- Driver, Socket 3/16", 1/4", 5/16"
- Flaring Tool / Tube Cutter (for copper tubing)
- Flashlight
- Gloves
- Level
- Pipe Joint Compound (for iron pipe plumbing) or Pipe Thread Tape (for sealing threads)
- Pliers
- Safety Glasses
- Saw, Keyhole or 1/2", 1 1/2" to 2" Hole Cutters
- Screw Drivers, Slotted and #2 Phillips (magnetic tip preferred)
- Tape, Electrical or Duct
- Tape, Measuring
- Wire Stripper or Utility Knife
- Wrench, Hex-end
- Wrenches, 2 Adjustable (for copper tubing) or 2 Pipe wrenches (for iron pipe plumbing)

Parts You Will Need*

- Drain Hose Clamp, 1 1/4" Diameter (included)
- Elbow, 90° with a 3/8" National Pipe Thread (not included)
- Strain Relief Bushing (not included)
- Wire Nuts, two (2) for 12-14 gauge wire (not included)

If required:

- "Y" Branch Tailpiece and Connector Kit (See Step 4)
 - Air Gap Kit (See Step 4)
 - Fasteners for floor anchoring (See Step 9)
- Available at:**
 Plumbing Supply Store
 Plumbing Supply Store
 Hardware Store

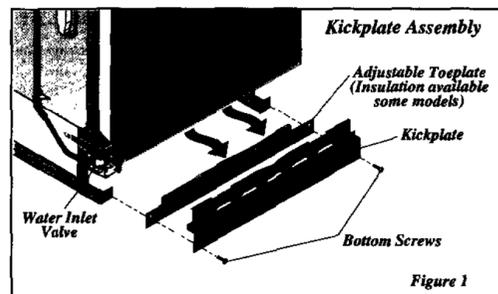
WARNING

Electric Shock Hazard
 Disconnect electrical power at the fuse box or circuit breaker box before beginning installation. Failure to follow this warning could result in death or serious injury.

- Examine dishwasher and locate connections. See Step 4.
- Locate dishwasher where there is easy access to drain, water, and electrical lines. The best location is on either side of the kitchen sink for access to existing plumbing and ease in loading dishes. See Step 4.
- Electrical, water, and drain connections are not the same for all age, brands, or models of dishwashers. Check the location and length of home utilities. See Step 4.
- A 15-20 amp, grounded, 120 volt AC only, electrical supply is required. See Steps 4 and 8.
- If dishwasher drain hose will be connected to a food disposer for the first time, knock out plug located inside disposer inlet. See Steps 4 and 6.
- Kinked water or drain hoses can cause problems. See Step 6.
- Dishwashers need to be connected to a hot water supply with enough water pressure to insure an adequate fill. See Steps 4 and 7.
- Each home installation differs. You will need additional parts listed above to complete your installation. See Steps 4 and 7.
- Flush water line prior to making the final connection to prevent clogging of dishwasher's filter screen. See Step 7.
- The dishwasher will look, sound, and perform best when properly leveled. See Step 5. (NOTE: If levelers are removed during installation, make sure the floor is flat and free of any obstruction.)
- Anchor the dishwasher to countertop. See Step 9.

Installation Preparation

1. Remove two (2) screws at front of the kickplate assembly using a #2 Phillips screw driver.
 2. Tilt and pull forward to remove. (Figure 1).
- NOTE:** It is not necessary to remove the outer door for installation. However, you might find it more convenient to do so. You can find directions for removing door in Step 10.



3. Locate water inlet valve behind kickplate on bottom left underside of unit. The valve has a 3/8" NPT female fitting.
4. Wrap 90° elbow (not included) with pipe thread tape (or apply joint compound) and thread it into water inlet valve.
5. Tighten elbow with a wrench, leaving elbow pointing toward rear of unit. To prevent bending of bracket or breaking of valve, avoid overtightening.

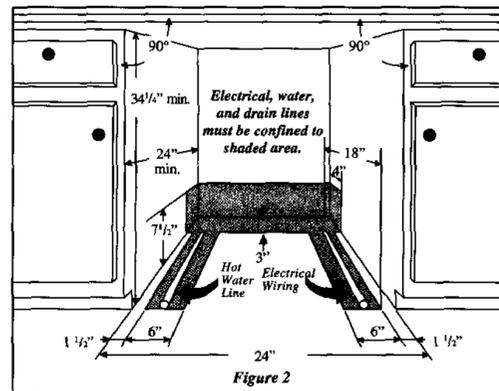
Roughing In

3

WARNING

Electric Shock Hazard
 Observe all local codes and ordinances for electrical and plumbing connections. All electrical and plumbing work should be performed by qualified persons. Failure to follow this warning could result in death or serious injury.

1. Make sure your location has the right drain, water, and electrical outlets to make the connections. Do not install unit under a cooktop range. Damage to plastic tub will occur.



IMPORTANT: For proper operation and appearance of unit, cabinet opening should have dimensions as shown in Figure 2. If unit is to be placed in a corner, there must be at least a 2-inch side clearance to open door.

2. Remove any carpet from area to provide motor clearance. Floor should be flat and free of any obstruction.

IMPORTANT: Drain, water, and electrical lines should be roughed-in before going any further.

WARNING

Electric Shock Hazard
 Electrical, water, and drain lines must be confined to shaded areas in Figure 2. Electric conductors, water, and drain could be damaged. Failure to follow these instructions could result in fire or electric shock.

NOTE: If dishwasher is installed at end of a cabinet line, sides and back must be fully enclosed.

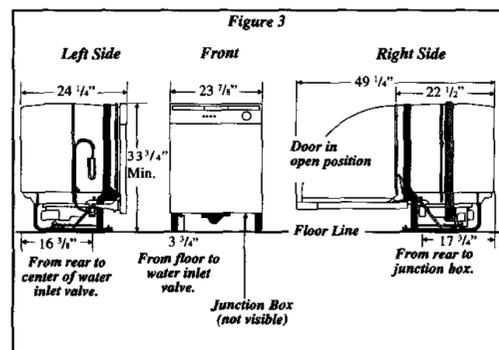
Connections For Electrical, Water, and Drain

4

IMPORTANT: Do not cross drain, water, and electrical lines in front of dishwasher motor or frame.

Locating the Connections

1. Review dimensions in Figure 3 to locate dishwasher's drain, water, and electrical connections.
2. All connections must be made in shaded area in Figure 2.



IMPORTANT: Disconnect power before starting installation.

Electrical

1. The dishwasher operates on a 120 volt, 60 Hz electrical supply. Provide a separate circuit with a fuse or circuit breaker rated for at least 15 amps (20 amps if connected with disposer) but not more than 20 amps.
2. Note the locations of electrical supply and dishwasher's electrical junction box on right underside of unit behind kickplate assembly. See Figure 3.
3. Cut access hole in shaded area shown in Figure 2.
4. Pull electrical cable through hole into installation area.

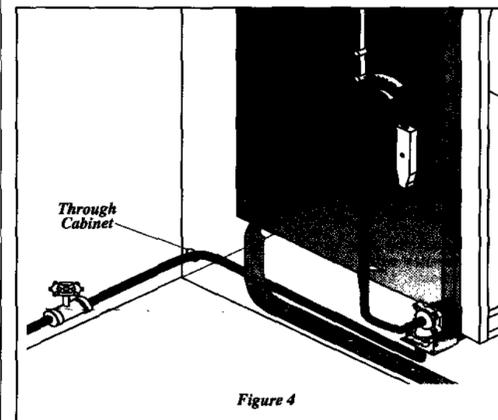
Water

1. Determine where you will connect to hot water supply. Review Figure 3 and note the location of water inlet valve.

CAUTION

Property Damage
 Do not use the furnished drain hose or a rubber garden hose for the water supply line. Either of these hoses can burst. Flooding may occur and cause property damage.

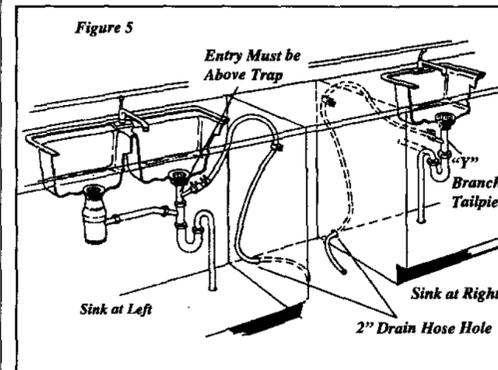
2. Be sure water inlet valve is protected from freezing. If valve freezes and ruptures, flooding may occur.
3. Determine amount of tubing needed to connect hot water supply to the unit's water inlet valve. Copper tubing must have a minimum 3/8" OD. High-pressure and high-temperature rated plastic tubing with a minimum inner diameter of 1/2" may be used. A shut-off valve installed outside dishwasher cabinet is best. See Figure 4.



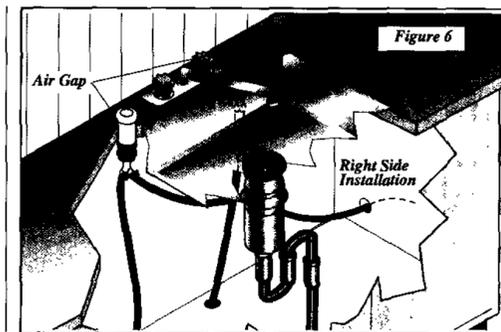
4. Cut water access hole in shaded area in Figure 2.
 5. Route water supply line into installation area.
- IMPORTANT:** Incoming hot water temperature should be 120°F (49°C). Water pressure should be between 20-120 psi.

Drain

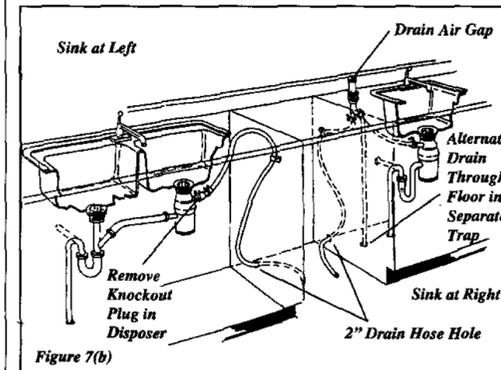
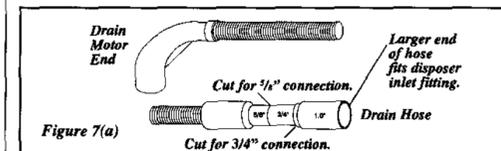
1. Review Figures 5 and 6 to see the different ways to connect dishwasher to drain system. Choose method that best suits your need.



2. If you connect to a sink drain, entry will need to be above trap. A "Y" branch tailpiece and connector kit, not included, will make this method easier and includes all needed fittings and instructions. See Figure 5.



3. If you connect to a sink trap, local codes may require you to install an air gap kit, not included. The drain hose will be routed from dishwasher to air gap inlet as shown in Figure 6. An air gap kit is available from a plumbing supply store.
4. If you connect to a disposer, the large end of drain hose will fit inside disposer inlet before making the final fit to drain hose. See Figure 7(b).

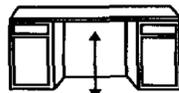


5. Before cutting drain hose access, check both sides of selected area to avoid interference. Cut a 2" diameter hole in shaded area shown in Figure 2.
6. If the cabinet wall is wood, sand edges of hole until smooth and rounded. If cabinet wall is metal, cover all sharp edges with electrical or duct tape to avoid cutting drain hose.

Leveling Dishwasher within Cabinets

5

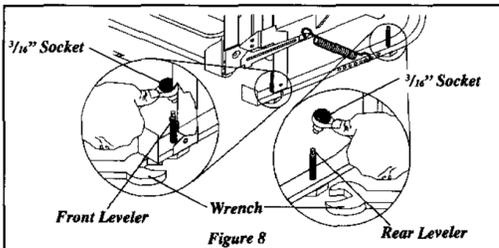
1. Measure height of cabinet opening from underside of countertop to floor. Check chart for height opening and suggested adjustment.



Leg Leveler Adjustment Chart	
Height of Cabinet Opening	Number of Turns to Adjust Levelers
34" (86.4cm)	0
34 1/8" (86.7cm)	2
34 3/8" (87.2cm)	6
34 1/2" (87.6cm)	9

For additional height add shims under levelers.

2. Move dishwasher to front of installation area.
3. Loosen the front and rear leveling legs by turning counterclockwise. Refer to chart for number of turns. See Figure 8. Front levelers should allow 1/4" below underside of countertop.



4. If levelers have to be removed, make sure floor is free of obstructions.
5. Place dishwasher inside cabinet area so that it is centered in opening. Use caution when moving dishwasher to prevent damage to dishwasher, floor, and cabinets.
6. Check that dishwasher is level from side to side by placing a level against the top front section of the tub. See Figure 9a.



Figure 9a

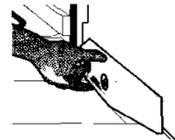


Figure 9b

7. Check that dishwasher is level from front to back by placing level on side of opened door. See Figure 9b.
8. Adjust levelers up or down until dishwasher is level.

Helpful tip for built-up floors:

Measure height of opening from underside of countertop to built-up floor. If the height is at least 33-3/4" (84.5 cm), the dishwasher will fit into the opening without modification to the countertop or flooring.

Put front and rear levelers all the way up. If the opening is at 33-3/4" (84.5 cm), the countertop mounting brackets may need to be removed to avoid damage to the top of the dishwasher console. If so, follow directions in Step 9 for floor anchoring when ready to secure unit.

Finishing the Drain Connection

6

WARNING

Electric Shock Hazard

- Plumbing material and drain hose must not come in contact with wiring or electrical components.
- Failure to follow this warning could result in personal injury from exposed wiring.

1. Pull out unit and check to see if drain hose is correctly attached to the drain pump assembly. If drain hose is **not attached** to drain pump, follow the instruction sheet (included with drain hose) on how to correctly install the drain hose to the drain pump assembly.
2. Move unit back in place while routing drain hose through access hole. Use caution to prevent damage to the dishwasher, floor and cabinets. **IMPORTANT: Make sure there are no sharp bends or kinks that might restrict drain flow.**
3. Secure drain hose to sink drain, disposer, or separate trap with a clamp. **IMPORTANT: Be careful not to overtighten clamp or you may damage end of hose.** Do not connect hose to horizontal pipe between sink drain and disposer.
4. Be sure unit does not rest on drain hose. It should be free of electrical components and door springs. Do not cut corrugated drain hose. Pull excess through cabinet and place under sink. Make sure hose does not come in contact with any sharp edges. See Figure 10.

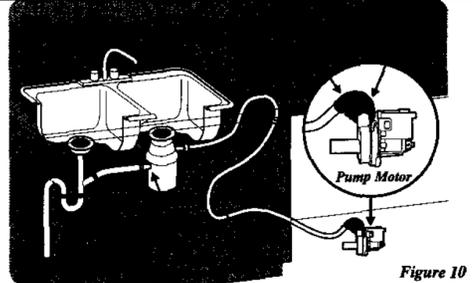


Figure 10

The drain hose loop must be at least 32" high from the floor to insure proper drainage.

Finishing the Water Connection

7

CAUTION

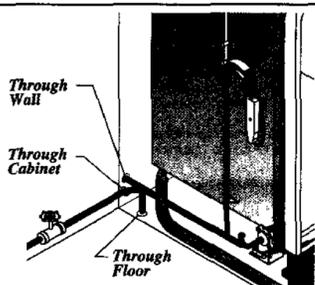
Property Damage

- Do not solder within 6" of the water inlet valve. Damage to the plastic parts in the valve may occur.
- Use care that no sealer, dirt, or other objects enter the valve. Damage to the filter screen may occur.
- Be sure the dishwasher is placed where the water inlet valve will be kept from freezing. If the valve freezes, it may rupture and flooding may occur.

Water Line

1. Flush water line before connecting it to water inlet valve to prevent early clogging of filter screen. Place a bunched towel over end of line to prevent splashing. Open valve for a few seconds and let water drain into a pan. Turn off water supply at shut-off valve.

Figure 11



2. Route water line to water inlet valve as shown in Figure 11.
3. While firmly pulling water supply line into 90° elbow, tightly connect water supply to water inlet valve. Supply line must be free of kinks, scales, chips, and lubricants.
4. Turn on water supply and check for leaks.
5. If water inlet valve clogs, make sure water supply is off. Remove four (4) screws at inlet end of valve and clean filter screen.

Finishing the Electrical Connection

8

WARNING



Electric Shock Hazard

Make sure electrical power has been disconnected at fuse box or circuit breaker box.

The dishwasher must be connected to a grounded metal, permanent wiring system. The equipment-grounding conductor must be run with the circuit conductors and connected to the appliance's equipment grounding terminal or lead. It is the consumer's responsibility to contact a qualified installer to make sure the electrical installation conforms with the National Electrical Code and local codes and ordinances.

Do not connect the dishwasher to the power supply until the appliance is permanently grounded. All wiring connections must be enclosed in the junction box. This unit has copper lead wires.

Joining aluminum building wire to stranded copper wire should be done by a qualified electrician using materials recognized by UL and local codes.

Do not use an extension cord. Such use can result in fire, electrical shock, or other personal injury. Failure to follow these instructions could result in death or serious injury.

Electrical Supply

1. Remove junction box cover and pull house wiring into junction box. See Figures 12 and 13.
2. Use a UL listed strain-relief bushing, not included, at box to stabilize wiring.

IMPORTANT: Be sure electrical cable is not routed behind dishwasher's motor.

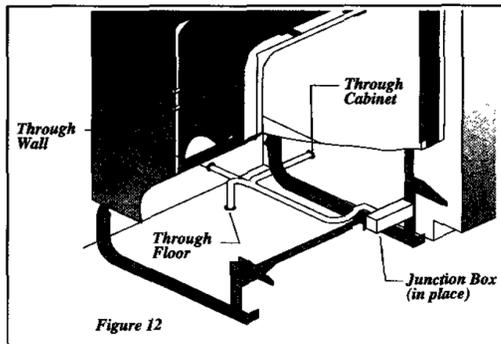


Figure 12

3. Inside junction box, attach ground wire under head of grounding screw and tighten. See Figure 13.
4. Connect incoming black lead to dishwasher's black lead and incoming white lead to dishwasher's white lead with wire nuts or other suitable connectors, not included. Wire nuts should be tight.
5. Replace junction box cover. See Figure 13.

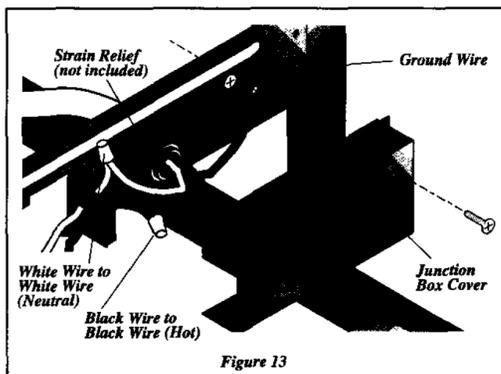


Figure 13

Securing the Dishwasher

9

The dishwasher must be secured to keep it from tilting when door is opened. Choose one of the methods described below to secure unit.

Countertop Anchoring

1. Adjust levelers (see Step 5) so mounting brackets touch underside of countertop. **IMPORTANT: Dishwasher must rest on floor—do not hang from countertop.** See Figure 14.
2. Screw mounting brackets firmly to countertop using screws provided in literature packet.
3. Open and close dishwasher door slowly. If door hits mounting bracket screw heads, adjust front levelers.

Note: Open and close door to make sure it does not hit surrounding cabinets or countertop.

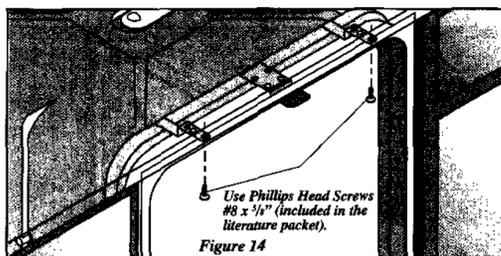


Figure 14

Floor Anchoring

This procedure is difficult and should be used only if countertop mounting brackets cannot be used.

1. Screw 1/4" lag screws, not included, through holes provided in frame rail. See Figure 15.
2. Use expansion fasteners if floor is concrete.

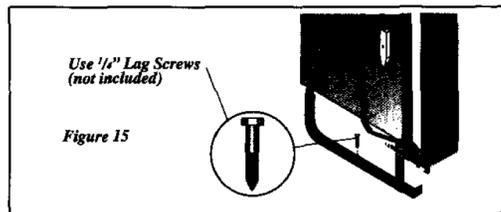


Figure 15

Installing Wood Panel Removing & Replacing Door

10

WARNING

Electric Shock Hazard

- Disconnect electrical power at the fuse box or circuit breaker box before beginning installation.
- Failure to follow this warning could result in death or serious injury.

CAUTION

Cut Hazard

- Metal color panels are sharp and should be handled with care. Wear gloves to protect hands.
- Failure to follow this warning may result in injury.

To Install a Custom Wood Panel

The dishwasher door panel can be customized to match wood cabinets. This will require a kit that includes a mid-door with side and bottom trim, heavy-duty door springs and instructions.

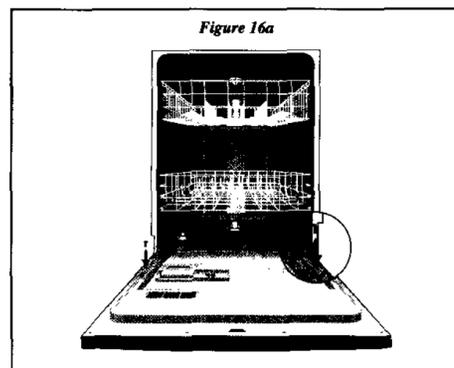
Kits are available by calling 1-800-FON-PART (1-800-366-7278). Order kit based on desired color of trim.

Kit Numbers:

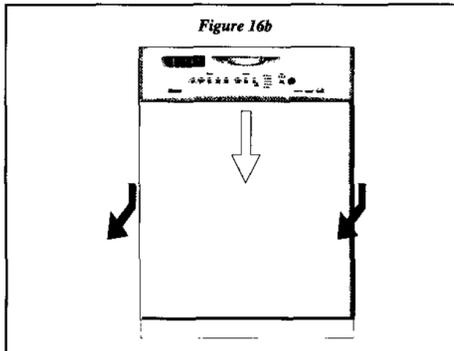
- Part 154362701 - white trim
- Part 154362703 - black trim
- Part 154362704 - bisque trim

To Remove and Replace Outer Door

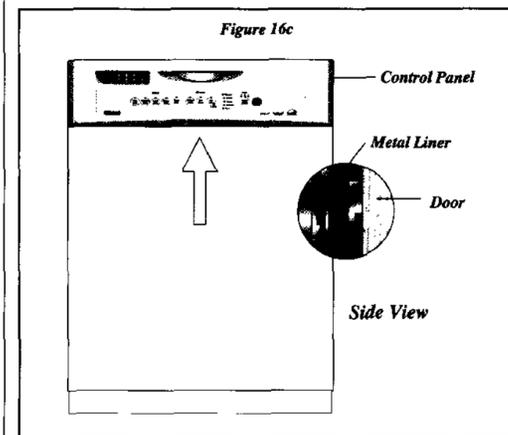
1. Unlatch and open door. Using a Phillips head screw driver, remove two (2) screws from inner door. Save screws to reassemble. See Figure 16a.



2. Close and latch door while holding both sides.
3. Place one hand on each side of door and pull down at top approximately 1/4". Pull entire door assembly toward you to remove. See Figure 16b.



4. Place door where it will not get scratched or damaged while completing installation.
5. When ready to replace door, fit the slots on each side of top door edge over the tabs on the metal liner. Push on sides to insure the door is flat. Push up from bottom until there is no gap between door and control panel. See Figure 16c.
6. Unlatch door and open while supporting outer door on both sides at bottom to keep in place. Align screw holes and replace screws.



Checking the Installation

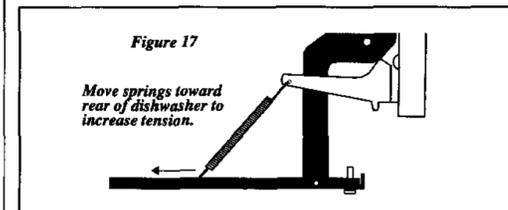
11

Before starting the dishwasher, check these items:

- Drain hose is assembled to drain pump.
- All packing materials and consumer literature have been removed from unit.
- Dishwasher is level and securely fastened.
- Open and close door to make sure it does not hit surrounding cabinet or countertop.
- Water and drain lines have no kinks.
- Wiring connections to junction box are tight.
- Water supply is turned on.
- Joints are free of leaks.

Replacing Door

1. Refer to Step 10, numbers 5 and 6, for replacing outer door.
2. Adjust door springs to balance weight of door. A correct spring setting allows door to remain horizontal in opened position, yet will rise to close with slight lift to finger.
3. If necessary, increase tension by moving springs to a hole toward rear of unit or decrease by moving them toward front. See Figure 17.



4. Turn electrical supply on.

Operate the machine through at least one fill and pump-out, checking the following items:

- At first fill, make sure water completely covers filter surface. (Motor pump sound may be heard before water enters unit).
- At pump-out, make sure all water is pumped out.
- Check water connections again for leaks.

WARNING

Electric Shock Hazard

- If all connections are correct, there are no leaks, and unit runs properly, replace the kickplate assembly before placing unit into operation.
- Failure to follow this warning could result in electric shock.

Kenmore

Lavavajillas

Instrucciones de Instalación



INSTALADOR: Deje las Instrucciones de Instalación con el propietario.
PROPIETARIO: Lea el *Manual de Uso y Cuidado* del lavavajillas. Contiene información importante sobre seguridad para el funcionamiento de este artefacto. Además tiene importantes sugerencias para obtener los mejores resultados con su lavavajillas.

Impreso en Estados Unidos

154425201
(03/02)

Sears, Roebuck and Co., Hoffman Estates, IL 60179 U.S.A.

Antes de Comenzar

Lea todas las instrucciones antes de instalar el lavavajillas.

Para su seguridad, le pedimos leer y observar todas las instrucciones de seguridad. Estas instrucciones le ayudarán a verificar las conexiones del agua, eléctricas y de desagüe y a seleccionar la mejor ubicación para su lavavajillas.

ADVERTENCIA

Peligro de Inclinación

No use el lavavajillas hasta que no esté completamente instalado. No se apoye en la puerta abierta. El incumplimiento de estas advertencias puede resultar en una lesión grave.

Sugerencias para la Instalación 1

Herramientas y Materiales Necesarios para la Instalación

- Taladro eléctrico
- Destornillador, Casquillos de 3/16", 1/4" y 5/16"
- Abocinadora/Cortador de Tubos (para tubería de cobre)
- Linterna
- Guantes
- Nivel
- Compuesto para Junta (para instalación de tubería de hierro) o Compuesto para Roscas de Tuberías (para sellar las roscas)
- Pinzas
- Lentes Protectores
- Sierra, Sierra de Punta o Cortadores de Agujeros de 1/2", 1 1/2" a 2"
- Destornilladores, Destornilladores Phillips y de Punta Plana #2 (preferible con punta magnética)
- Cinta, Eléctrica o de conductos
- Cinta de Medir
- Pelacables o Cuchillo para todo uso
- Llave hexagonal
- Llaves, 2 ajustables (para tubería de cobre) o 2 llaves de tubo (para tubería de hierro)

Artículos Necesarios*

- Abrazadera para manguera de desagüe, 1 1/4" de diámetro (se incluye)
- Codo, 90° con una rosca de 3/8" (NPT) (no incluidos)
- Casquillo para anclaje de cables (no incluidos)
- Tuercas para alambres, dos (2) para alambre de 12 - 14 (no incluidos)

Si es necesario:

- | | |
|---|---|
| • Bifurcación de 45° y Juego de Conector (Ver Paso 4) | Disponibles en:
Un almacén de artículos de plomería |
| • Juego de Tubo de Ventilación (Ver Paso 4) | Un almacén de artículos de plomería |
| • Sujetadores para Anclaje al Piso (Ver Paso 9) | Una ferretería |

ADVERTENCIA



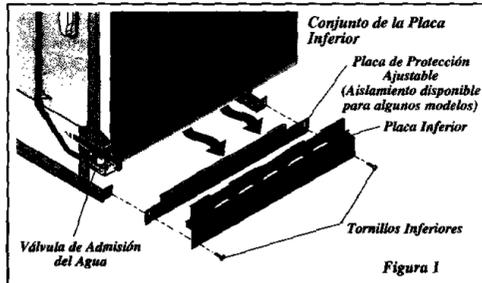
Peligro de Choque Eléctrico

Desconecte la corriente eléctrica en la caja de fusibles o en el disyuntor antes de comenzar la instalación. El incumplimiento de esta advertencia puede resultar en una lesión grave o mortal.

- Examine el lavavajillas y ubique las conexiones. Ver Paso 4.
- Ubique el lavavajillas donde haya fácil acceso a la tubería de desagüe, del agua y eléctrica. La mejor ubicación es a cualquier lado del fregadero de la cocina para tener acceso a la plomería existente y poder cargar los platos en el lavavajillas con facilidad. Ver Paso 4.
- Las conexiones de la electricidad, del agua y del desagüe no son iguales para todas las marcas, modelos o el año del lavavajillas. Verifique la ubicación y el largo de las tuberías del hogar. Ver Paso 4.
- Es necesario suministro eléctrico de 120 voltios CA solamente, puesto a tierra con amperes de 15-20. Ver Pasos 4 y 6.
- Si la manguera de desagüe va a ser conectada por primera vez a un triturador de alimentos, saque el tapón removible situado dentro de la admisión del triturador. Ver Pasos 4 y 6.
- Las mangueras de desagüe o del agua que estén dobladas o torcidas pueden causar problemas. Ver Paso 6.
- Los lavavajillas deben conectarse a un suministro de agua caliente con presión de agua suficiente para asegurar un llenado adecuado. Ver Pasos 4 y 7.
- La instalación es diferente en cada hogar. Puede necesitar piezas adicionales como las indicadas anteriormente para completar su instalación. Ver Pasos 4 y 7.
- Limpie la tubería del agua antes de hacer la conexión final para evitar obstrucción del filtro del lavavajillas. Ver Paso 7.
- El lavavajillas se verá mejor, tendrá mejor sonido y realizará un mejor trabajo si está debidamente nivelado. Ver Paso 5. (NOTA: Si las patas niveladoras son quitadas durante la instalación, asegúrese de que el piso esté plano y libre de cualquier obstrucción.)
- Sujete el lavavajillas a la mesón. Ver Paso 9.

Preparación para la Instalación 2

- Saque los dos (2) tornillos en la parte delantera del conjunto de la placa inferior usando un destornillador Phillips #2.
 - Incline y tire hacia adelante para sacar. (Figura 1).
- NOTA: No es necesario sacar la puerta exterior para la instalación. Sin embargo, puede que usted considere conveniente hacerlo. Las instrucciones para sacar la puerta se indican en el Paso 10.



- Ubique la llave de admisión del agua detrás de la placa inferior en el lado izquierdo inferior del lavavajillas. La llave de admisión tiene un conector hembra NPT de 3/8".
- Enrolle cinta para roscas en el codo de 90° (no incluido) o (aplique compuesto para juntas) y atornillelo en la llave de admisión del agua.
- Apriete el codo con una llave, dejándolo dirigido hacia la parte trasera del lavavajillas. A fin de evitar doblar el soporte o romper la llave, no lo apriete demasiado.

Instalación de las Tuberías 3

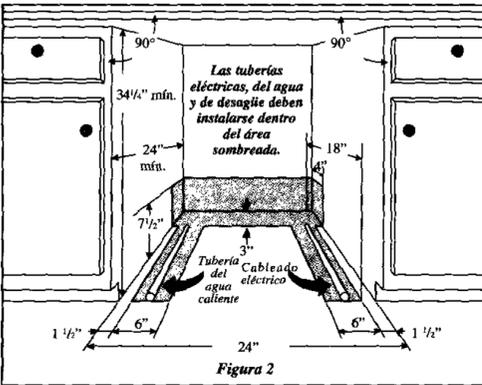
ADVERTENCIA



Peligro de Choque Eléctrico

Observe todos los códigos y reglamentos locales para las conexiones eléctricas y de plomería. Todo el trabajo eléctrico y de plomería debe ser realizado por personas calificadas. El incumplimiento de esta advertencia puede resultar en una lesión grave o mortal.

- Asegúrese de que la ubicación seleccionada tiene los enchufes correctos para la electricidad, el agua y el desagüe a fin de hacer las conexiones correspondientes. No instale el lavavajillas debajo de la cubierta de una estufa. Se puede dañar la fina plástica.



IMPORTANTE: Para funcionamiento y apariencia adecuada del lavavajillas, la abertura del armario debe tener las dimensiones que se muestran en la Figura 2. Si el lavavajillas va a ser colocado en una esquina, debe haber por lo menos un despeje lateral de 2 pulgadas para abrir la puerta.

- Saque cualquier alfombra del área para proporcionar despeje para el motor. El piso debe ser plano y libre de cualquier obstrucción.

IMPORTANTE: Las tuberías de desagüe, del agua y eléctricas deben ser instaladas antes de continuar con la instalación.

ADVERTENCIA



Peligro de Choque Eléctrico

Las tuberías eléctricas, del agua y de desagüe deben quedar dentro de las áreas sombreadas indicadas en la Figura 2.

Los conductores eléctricos, del agua y del desagüe se pueden dañar. El incumplimiento de estas instrucciones puede resultar en un incendio o choque eléctrico.

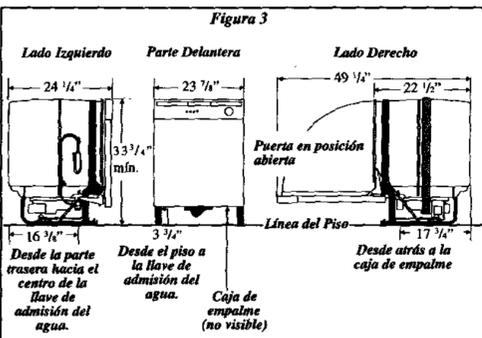
NOTA: Si el lavavajillas va a ser instalado al final de la fila de armarios, deben cubrirse completamente los lados y la parte trasera.

Conexiones para la Electricidad, Agua y Desagüe 4

IMPORTANTE: No cruce las tuberías de desagüe, del agua y eléctricas en frente del motor o del marco del lavavajillas.

Ubicación de las Conexiones

- Examine las dimensiones en la Figura 3 para ubicar las conexiones del desagüe, del agua y eléctricas del lavavajillas.
- Todas las conexiones deben quedar dentro del área sombreada indicada en la Figura 2.



IMPORTANTE: Desconecte la energía eléctrica antes de comenzar la instalación.

Suministro Eléctrico

- El lavavajillas funciona con corriente eléctrica de 120 voltios, 60 Hz. Requiere un circuito separado con un fusible o disyuntor de por lo menos 15 amps. (20 amps. si se conecta con un triturador de basura) pero de no más de 20 amps.
- Observe las ubicaciones del suministro eléctrico y de la caja de empalme eléctrico del lavavajillas en el lado inferior derecho del lavavajillas detrás del conjunto de la placa inferior. Ver Figura 3.
- Corte el agujero de acceso en el área sombreada mostrada en la Figura 2.
- Pase el cable eléctrico a través del agujero hacia el área de instalación.

Suministro del Agua

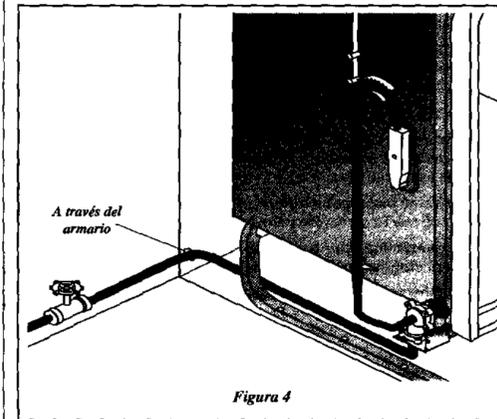
- Determine donde va a conectar el lavavajillas al suministro de agua caliente. Examine la Figura 3 y observe la ubicación de la llave de admisión del agua.

ATENCIÓN

Daños Materiales

No use la manguera de desagüe suministrada o una manguera de goma del jardín para la tubería de suministro del agua. Cualquiera de estas mangueras puede explotar. Se puede producir inundación y causar daños materiales.

- Asegúrese de que la llave de admisión del agua esté protegida contra congelación. Si la llave se congela y se rompe, se puede producir una inundación.
- Determine el largo de tubería que necesitará para conectar el suministro de agua caliente a la llave de admisión del agua del lavavajillas. La tubería de cobre debe tener un diámetro exterior mínimo de 3/8". Se puede usar tubería de plástico de alta presión y alta temperatura con un diámetro interior mínimo de 1/4". Es mejor instalar la llave de cierre fuera del gabinete del lavavajillas. Ver Figura 4.

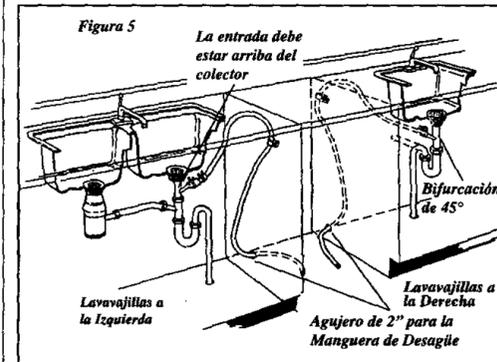


- Corte el agujero de acceso del agua en el área sombreada indicada en la Figura 2.
- Pase la tubería de suministro del agua hacia el área de instalación.

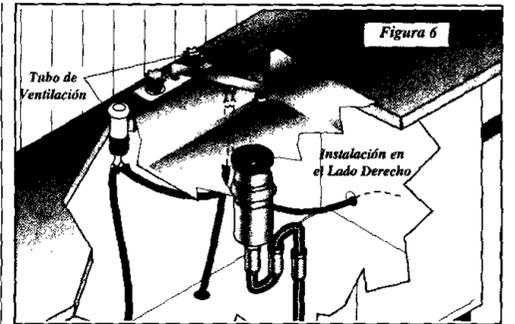
IMPORTANTE: La temperatura del agua caliente de admisión debe ser de 120°F (49°C). La presión del agua debe ser entre 20-120 lbs/pulg.².

Desagüe

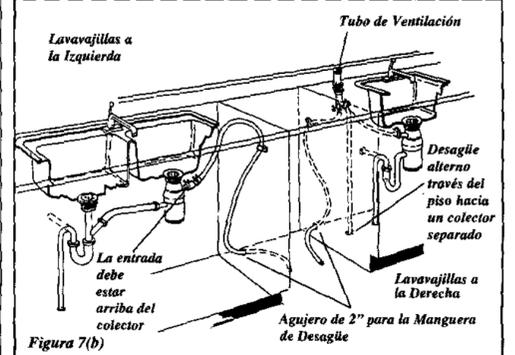
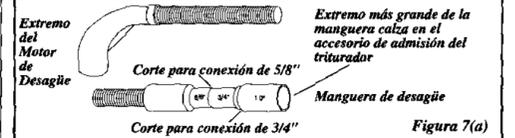
- Examine las Figuras 5 y 6 para ver las diversas maneras de conectar el lavavajillas al sistema de desagüe. Seleccione el método que mejor le convenga.



- Si usted conecta al desagüe de un fregadero, la entrada deberá ser arriba del colector. Una bifurcación de 45° y un juego de conector, no incluidos, facilitarán este método e incluye todos los accesorios necesarios e instrucciones. Ver Figura 5.



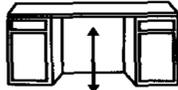
- Si usted conecta a un colector de fregadero, los códigos locales pueden requerir que usted instale un juego de ventilación, no incluido. La manguera de desagüe debe ser guiada desde el lavavajillas a la entrada del tubo de ventilación como se muestra en la Figura 6. Se dispone de un juego de tubo de ventilación en su almacén de suministro de plomería.
- Si conecta a un triturador de alimento, el extremo más grande de la manguera de desagüe calzar. Figura 7(a). El tapón removible debe ser sacado de dentro de la admisión del triturador de alimentos antes de hacer la instalación final a la manguera de desagüe. Ver Figura 7(b).



- Antes de cortar el acceso a la manguera de desagüe, revise ambos lados del área seleccionada para evitar interferencia. Corte un agujero de 2" de diámetro en el área sombreada mostrada en la Figura 2.
- Si la pared del armario es de madera, lije los bordes del agujero hasta que queden suaves y redondeados. Si la pared del armario es de metal, cubra todos los bordes afilados con cinta eléctrica o cinta de conductos para evitar que se corte la manguera de desagüe.

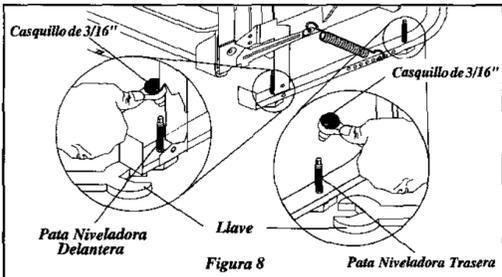
Nivelado del Lavavajillas dentro de los Armarios 5

- Mida la altura del armario desde el lado inferior del mesón al piso. Consulte la Tabla para la altura de la abertura y los ajustes sugeridos.



Altura de la Abertura del Armario	Número de Vueltas para Ajustar las Patas Niveladoras
34" (86,4 cm)	0
34 1/8" (86,7 cm)	2
34 1/4" (87,2 cm)	6
34 1/2" (87,6 cm)	9

- Para altura adicional agregue laminillas debajo de las patas niveladoras.
- Mueva el lavavajillas hacia la parte delantera del área de instalación.
- Afloje las patas niveladoras delanteras y traseras girándolas a la izquierda. Consulte la tabla para el número de vueltas. Ver Figura 8. Las patas niveladoras deben dejar un despeje de 1/4" debajo de la parte inferior del mesón.



- Si se han sacado las patas niveladoras, asegúrese de que el piso esté libre de obstrucciones.
- Coloque el lavavajillas dentro del área del armario dejándolo centrado en la abertura. Tenga cuidado cuando mueva el lavavajillas para evitar daño al lavavajillas, al piso y a los armarios.
- Verifique si el lavavajillas está nivelado de lado a lado colocando un nivel contra la parte superior delantera de la tina. Ver Figura 9a.



Figura 9a



Figura 9b

- Verifique si el lavavajillas está nivelado desde el frente hacia atrás colocando un nivel en el lado de la puerta abierta. Ver Figura 9b.
- Ajuste las patas niveladoras hacia arriba o hacia abajo hasta que el lavavajillas quede nivelado.

Consejo útil para pisos elevados:

Medir la altura de la abertura desde la parte inferior de la mesada al piso elevado. Si la altura es de 33-3/4" (84,5 cm) por lo menos, la lavadora de platos se adapta a la abertura sin modificación de la mesada o el piso.

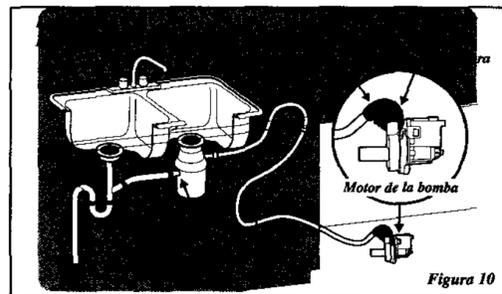
Colocar los niveladores delanteros y posteriores totalmente elevados. Si la abertura está a 33-3/4" (84,5 cm), puede ser necesario extraer los soportes de montaje de la mesada para evitar daños al tope de la consola de la lavadora de platos. De ser así, seguir las instrucciones en el Paso 9 del anclaje de piso cuando esté listo para asegurar la unidad.

Completación de la Conexión del Desagüe 6

ADVERTENCIA

Peligro de Choque Eléctrico
El material de plomería y la manguera de desagüe no deben tener contacto con el alambrado o componentes eléctricos.
El incumplimiento de esta advertencia puede resultar en una lesión personal al tener contacto con el alambrado expuesto.

- Extraer la unidad e inspeccionar para verificar que la manguera de drenaje está correctamente fijada al conjunto de la bomba de drenaje. En caso que la manguera de drenaje no está fijada a la bomba de drenaje, seguir la hoja de instrucciones (incluida con la manguera de drenaje) para instalar correctamente la manguera de drenaje al conjunto de la bomba de drenaje.
- Colocar nuevamente la unidad en su lugar al encaminar la manguera de drenaje a través del orificio de acceso. Tenga cuidado para no dañar el lavavajillas, el piso y los armarios. **IMPORTANTE:** Asegúrese de que no haya curvas afiladas o torceduras que puedan restringir el flujo del desagüe.
- Asegure la manguera de desagüe en el desagüe del fregadero, del triturador de alimentos o del colector separado con una abrazadera. **IMPORTANTE:** Tenga cuidado de no apretar demasiado la abrazadera pues se puede dañar el extremo de la manguera. No conecte la manguera a una tubería horizontal entre el desagüe del fregadero y el triturador.
- Asegúrese de que el lavavajillas no quede sobre la manguera de desagüe. Debe estar libre de componentes eléctricos y de los resortes de la puerta. No corte la manguera de desagüe corrugada. Tire el exceso de la manguera a través del armario y colóquelo debajo del fregadero. Asegúrese de que la manguera no esté en contacto con bordes afilados. Ver Figura 10.



La manguera de drenaje debe tener un bucle de una altura mínima de 32 pulgadas para asegurar un drenaje apropiado.

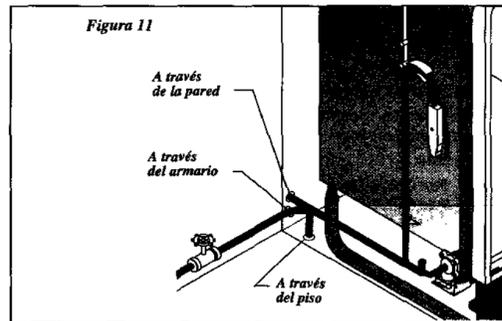
Completación de la Conexión del Agua 7

ADVERTENCIA

Daños Materiales
No suelde dentro de 6" de la llave de admisión del agua. Se pueden dañar las piezas plásticas de la llave del agua.
Tenga cuidado de que no entren compuestos selladores, suciedad u otros objetos a la llave. Puede dañarse la rejilla filtradora.
Asegúrese de que el lavavajillas esté colocado donde la llave de admisión del agua no se congelará. Si la llave se congela, se puede romper y se puede producir una inundación.

Tubería del Agua

- Limpie la tubería del agua antes de conectarla a la llave de admisión del agua para evitar obstrucción de la rejilla filtradora. Coloque una toalla tapando el extremo de la tubería para evitar que salpique. Abra la llave durante unos segundos y deje que el agua se desague en un recipiente. **Cierre el suministro del agua en la llave de cierre.**



- Guíe la tubería del agua hacia la llave de admisión del agua como se muestra en la Figura 11.
- A la vez que tira firmemente la tubería de suministro del agua hacia el codo de 90°, conecte firmemente el suministro de agua a la llave de admisión del agua. La tubería de suministro no debe tener torceduras, escamas, picaduras o lubricantes.
- Abra el suministro de agua y verifique si hay escapes.
- Si la llave de admisión del agua se obstruye asegúrese de que el suministro de agua esté cerrado. Saque los cuatro (4) tornillos del extremo de la admisión de la llave y limpie la rejilla filtradora.

Completación de la Conexión Eléctrica 8

ADVERTENCIA

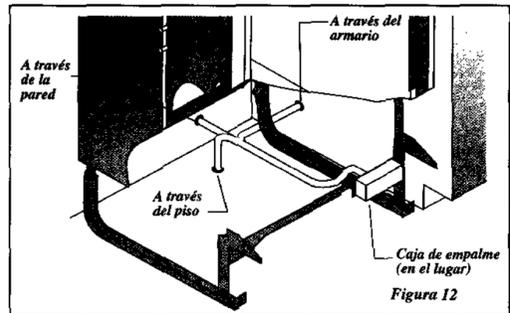
Peligro de Choque Eléctrico
Asegúrese de que la corriente eléctrica haya sido desconectada en la caja de fusibles o en la caja del disyuntor.
El lavavajillas debe estar conectado a un sistema de alambrado metálico permanente puesto a tierra o se puede instalar un conductor de puesta a tierra del equipo con los conductores de circuito y conectarse al borne de puesta a tierra del artefacto. Es la responsabilidad del cliente ponerse en contacto con un instalador calificado para asegurarse de que la instalación eléctrica cumple con el Código Eléctrico Nacional y los códigos y reglamentos locales.
No conecte el lavavajillas al suministro eléctrico hasta que el artefacto no esté permanentemente puesto a tierra.
Todas las conexiones del cableado deben estar encerradas en la caja de empalme. Este lavavajillas tiene alambres conductores de cobre. La unión de alambre de aluminio al alambre de cobre debe ser hecho por un electricista calificado usando materiales aprobados por UL y por los códigos locales.
No use un cordón de extensión. El uso de un cordón de extensión puede resultar en un incendio, choque eléctrico o lesión personal.
El incumplimiento de estas instrucciones puede resultar en una lesión grave o mortal.

Peligro de Choque Eléctrico
Asegúrese de que la corriente eléctrica haya sido desconectada en la caja de fusibles o en la caja del disyuntor.
El lavavajillas debe estar conectado a un sistema de alambrado metálico permanente puesto a tierra o se puede instalar un conductor de puesta a tierra del equipo con los conductores de circuito y conectarse al borne de puesta a tierra del artefacto. Es la responsabilidad del cliente ponerse en contacto con un instalador calificado para asegurarse de que la instalación eléctrica cumple con el Código Eléctrico Nacional y los códigos y reglamentos locales.
No conecte el lavavajillas al suministro eléctrico hasta que el artefacto no esté permanentemente puesto a tierra.
Todas las conexiones del cableado deben estar encerradas en la caja de empalme. Este lavavajillas tiene alambres conductores de cobre. La unión de alambre de aluminio al alambre de cobre debe ser hecho por un electricista calificado usando materiales aprobados por UL y por los códigos locales.
No use un cordón de extensión. El uso de un cordón de extensión puede resultar en un incendio, choque eléctrico o lesión personal.
El incumplimiento de estas instrucciones puede resultar en una lesión grave o mortal.

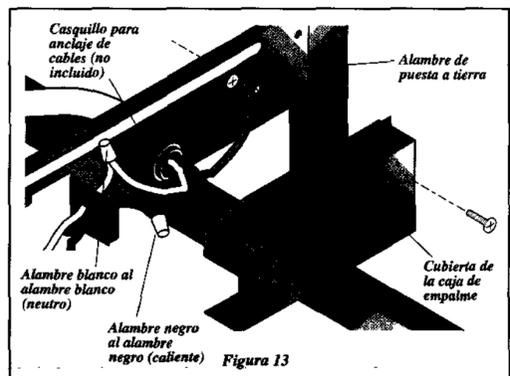
Suministro Eléctrico

- Retire la tapa de la caja de empalme y haga llegar el alambrado de la casa a la caja de empalme. Ver Figuras 12 y 13.
- Use un casquillo para anclaje de cables, aprobado por UL, no incluido, en la caja para estabilizar el alambrado.

IMPORTANTE: Asegúrese de que el cable eléctrico no esté guiado por detrás del motor del lavavajillas.



- Dentro de la caja de empalme, instale el alambre de puesta a tierra, debajo de la cabeza del tornillo de puesta a tierra y apriete. Ver Figura 13.
- Conecte el conductor negro de entrada al conductor negro del lavavajillas y el conductor blanco de entrada al conductor blanco del lavavajillas con tuercas de alambre u otros conectores adecuados, no incluidos. Las tuercas de alambre deben estar bien apretadas.
- Vuelva a colocar la tapa de la caja de empalme. Ver Figura 13.



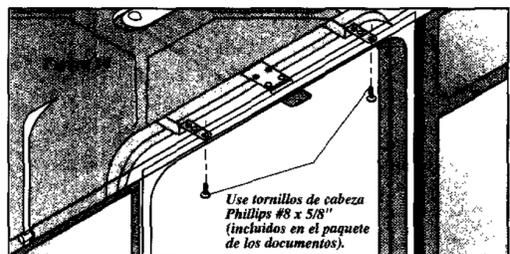
Anclaje del Lavavajillas 9

El lavavajillas debe estar bien firme para evitar que se incline cuando se abre la puerta. Seleccione uno de los métodos que se describen a continuación para sujetar el lavavajillas.

Anclaje al Mesón

- Ajuste los niveladores (ver Paso 5) de modo que los soportes de montaje toquen el lado inferior del mesón. **IMPORTANTE:** El lavavajillas debe descansar en el piso—no debe colgar del mesón. Ver Figura 14.
- Atornille firmemente los soportes de montaje en el mesón usando los tornillos provistos en el paquete de los documentos.
- Abra y cierre lentamente la puerta del lavavajillas. Si la puerta golpea la cabeza de los tornillos del soporte de montaje, ajuste las patas niveladoras delanteras.

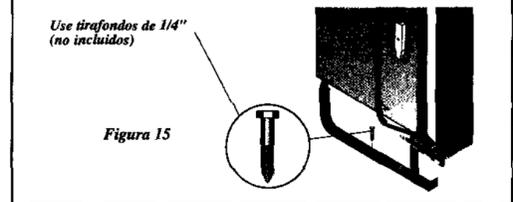
Nota: Abra y cierre la puerta del lavavajillas para asegurarse de que no golpee los armarios adyacentes ni el mesón.



Anclaje al Piso

Este procedimiento es difícil y debe ser usado solamente si no se pueden usar los soportes de montaje al mesón.

- Atornille los tirafondos de 1/4", a través de los agujeros provistos en el riel del bastidor. Ver Figura 15.
- Use sujetadores de expansión si el piso es de concreto.



Instalación de un Panel de Madera Desmontaje y Montaje de la Puerta 10

ADVERTENCIA

Peligro de Choque Eléctrico
Desconecte la energía eléctrica en la caja de fusibles o en la caja del disyuntor antes de comenzar la instalación.
El incumplimiento de esta advertencia puede resultar en una lesión grave o mortal.

ADVERTENCIA

Peligro de Corte
Los paneles de color metálicos son afilados y deben ser manipulados con cuidado. Use guantes para protegerse las manos.
El incumplimiento de esta advertencia puede resultar en una lesión.

Para instalar un panel de madera hecho a la medida

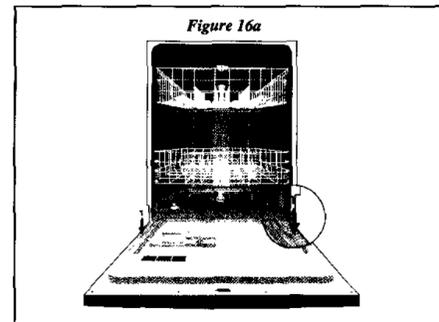
El panel de la puerta del lavavajillas puede personalizarse para que haga juego con los gabinetes de madera. Esto requerirá un kit que incluye un medio puerta con guarnición lateral e inferior, resortes de la puerta de uso pesado e instrucciones.

Los kits están disponibles llamando al 1-800-FON-PART (1-800-366-7278). Pida el kit con la guarnición del color deseado.

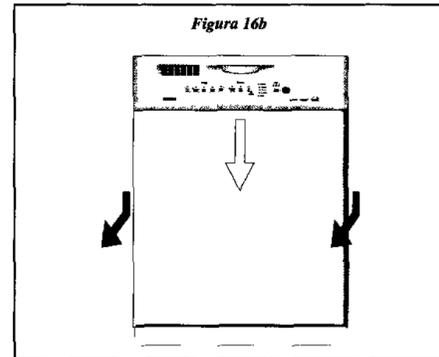
Número de Kit:
Pieza 154362701 – guarnición blanca
Pieza 154362703 – guarnición negra
Pieza 154361704 – guarnición bisque

Para Sacar y Volver a Colocar la Puerta Exterior

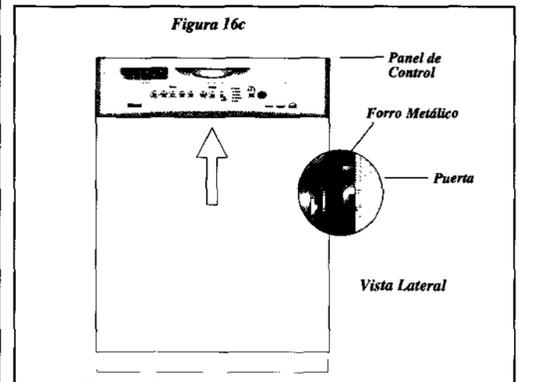
- Saque el pestillo y abra la puerta. Usando un destornillador de cabeza Phillips saque los dos (2) tornillos de la puerta interior. Guarde los tornillos para reinstalarlos. Ver Figura 16a.



- Cierre y ponga el pestillo de la puerta a la vez que sujeta ambos lados.
- Coloque una mano en cada lado de la puerta y tire hacia abajo en la parte de arriba aproximadamente 1/4". Tire todo el conjunto de la puerta hacia usted para sacarlo. Ver Figura 16b.



- Coloque la puerta en un lugar donde no se rayará ni dañará mientras se completa la instalación.
- Cuando esté listo para volver a instalar la puerta, coloque las ranuras situadas en cada lado del borde superior de la puerta sobre las lengüetas del torro metálico. Empuje ambos lados para asegurarse de que la puerta está plana. Empuje desde abajo hasta que no exista espacio entre la puerta y el panel de control. Ver Figura 16c.



- Saque el pestillo de la puerta y ábrala a la vez que sostiene la puerta exterior en ambos lados en la parte interior para mantenerla en su lugar. Alinee los agujeros de los tornillos y vuelva a colocar los tornillos.

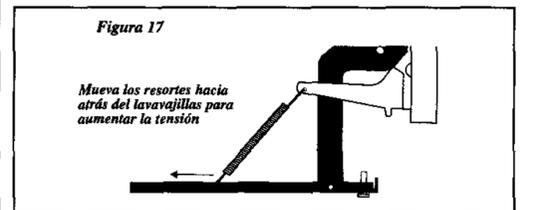
Verificación de la Instalación 11

Antes de poner en marcha el lavavajillas, verifique lo siguiente:

- La manguera de drenaje está fijada a la bomba de drenaje.
- Todos los materiales de empaque y los documentos del consumidor han sido sacados del lavavajillas.
- El lavavajillas está nivelado y firmemente asegurado.
- Abra y cierre la puerta del lavavajillas para asegurarse de que no golpee los armarios adyacentes ni el mesón.
- Las tuberías del agua y de desagüe no tienen torceduras.
- Las conexiones del alambrado hacia la caja de empalme están apretadas.
- El suministro del agua está abierto.
- Las juntas no tienen escape.

Reinstalación de la Puerta

- Consulte el Paso 10, números 5 y 6, para volver a colocar la puerta exterior.
- Ajuste los resortes de la puerta para equilibrar el peso de la puerta. Un ajuste adecuado del resorte permite que la puerta permanezca horizontal en la posición abierta, sin embargo se levantará para cerrarla con una ligera presión hacia arriba con el dedo.
- Si es necesario, aumente la tensión moviendo los resortes a un agujero hacia atrás del lavavajillas o disminuya la tensión moviéndolos hacia adelante. Ver Figura 17.



- Conecte la energía eléctrica.

Haga funcionar la máquina por lo menos a través de un llenado y vaciado verificando los siguientes puntos:

- En el primer llenado asegúrese de que el agua cubre completamente la superficie del filtro. (Se puede oír el sonido del motor de la bomba antes de que el agua entre en el lavavajillas).
- Durante el desagüe, asegúrese de que toda el agua haya salido.
- Revise las conexiones del agua para verificar si hay escapes.

ADVERTENCIA

Peligro de Choque Eléctrico
Si todas las conexiones están correctas no hay escape y el lavavajillas funcionará adecuadamente. Vuelva a colocar el conjunto de la placa inferior antes de hacer funcionar el lavavajillas.
El incumplimiento de esta advertencia puede resultar en un choque eléctrico.