



**Electrolux**

## Factory Parts Catalog

Product No.	EW30SO60QSA
Market	North America
Color	stainless
Volts	120
Watts	900
Wiring Diagram	5995652582
Owner's Guide	316902930en

 **Electrolux**

### Electrolux Major Appliances

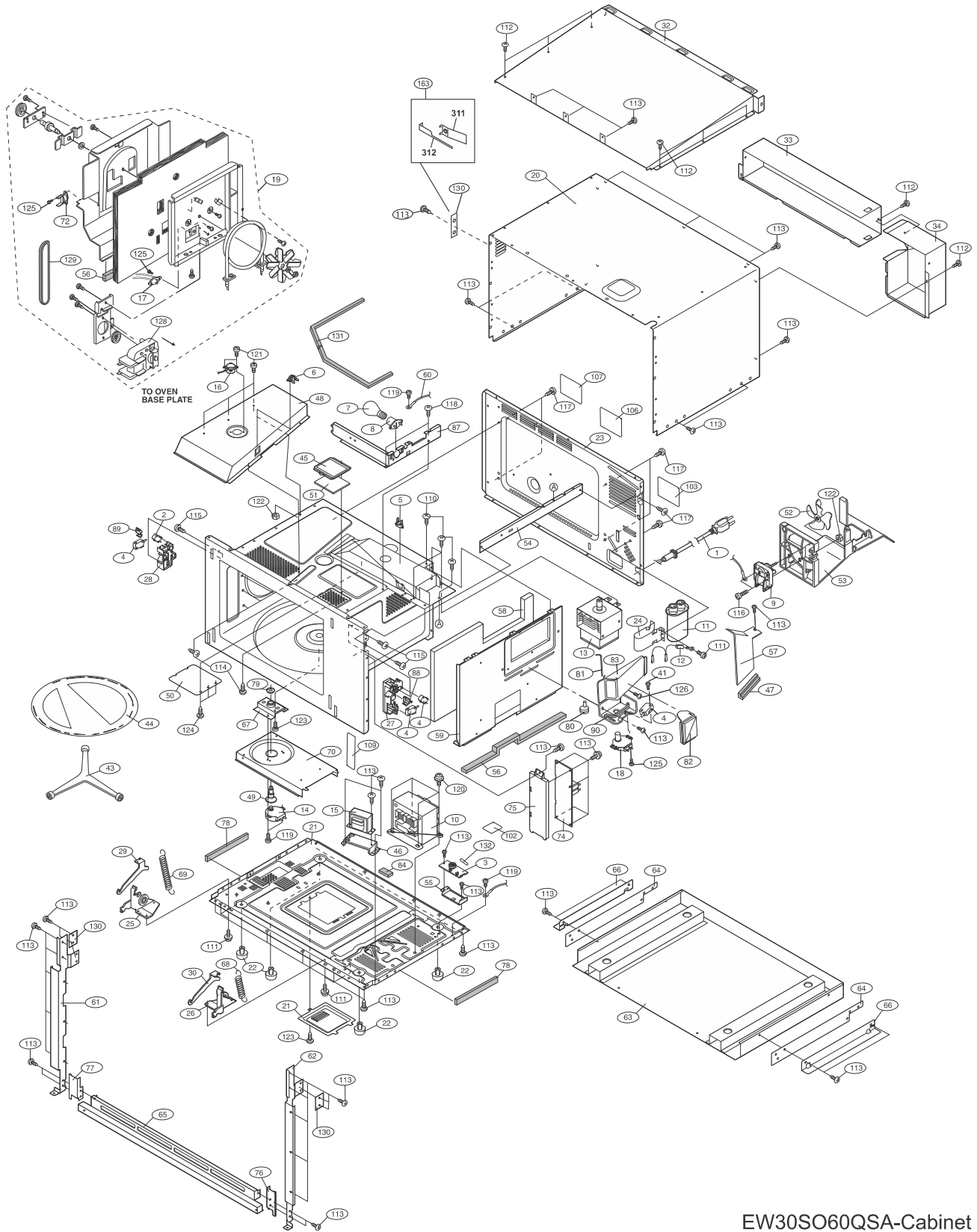
P.O. BOX 8020  
CHARLOTTE, NC 28262

Publication No.  
**5995652582**  
14/10/17  
(EN/SERVICE/KC)  
099

### BUILT-IN MICROWAVE

Model No.  
**EW30SO60Q**

OVEN, CABINET

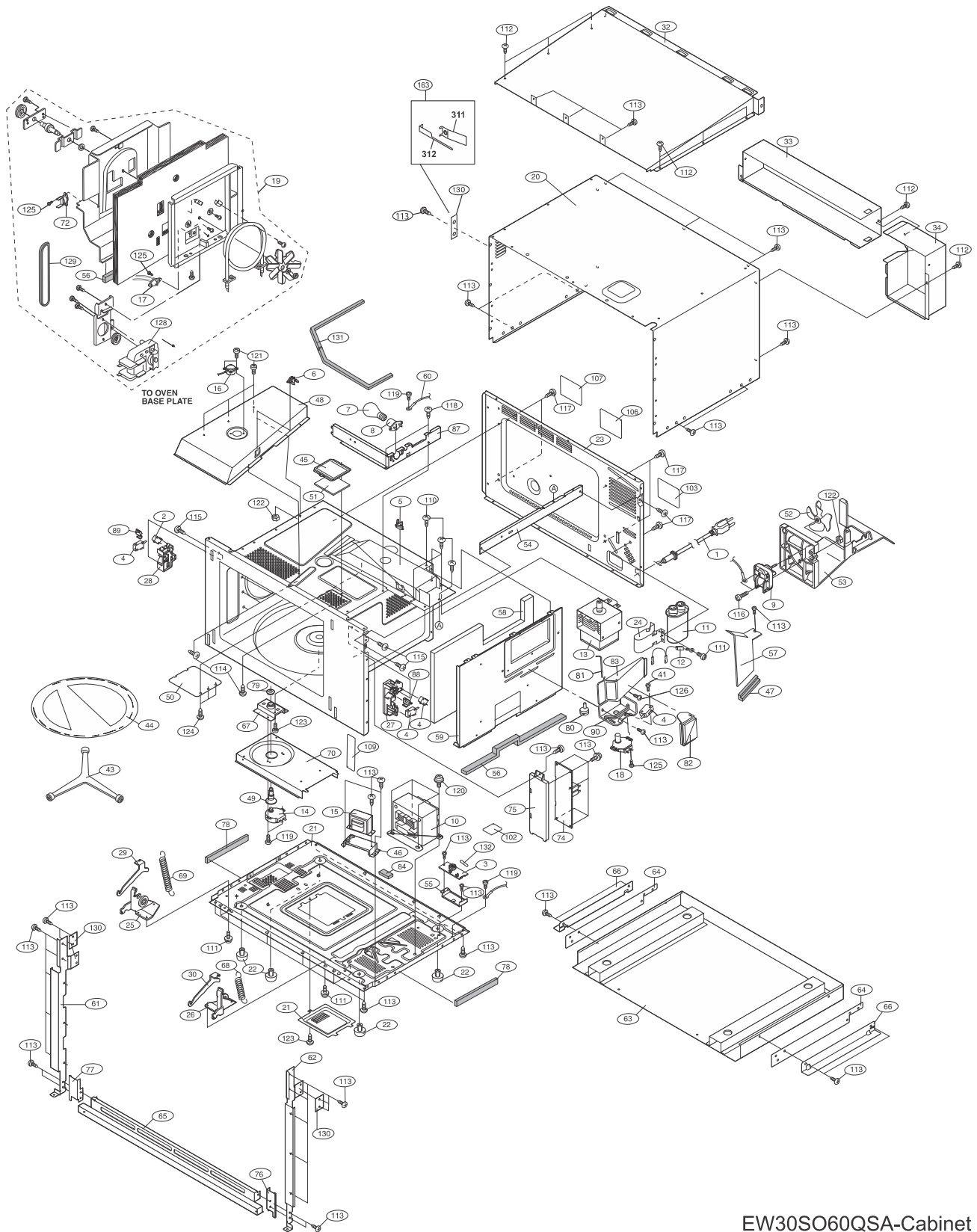


EW30SO60QSA-Cabinet

**OVEN,CABINET**

POS. NO	PART NO.	DESCRIPTION
1 #	5304470537	Power Cord, electric
2 #	5304440027	Switch Kit, monitor, with CT fuse
3 #	5304498734	Filter, noise, w/fuse mount
4 #	5304493153	Switch, interlock, door sensor
5 #	5304480634	Fuse, C/T
6 #	5304461114	Thermal Cut-Out, convection/oven, (2)
7	5304464198	Lamp, oven light
8 #	5304463785	Lampholder, socket
9 #	5304461119	Motor, fan
10 #	5304470538	Transformer, power
11 #	5304470539	Capacitor, high voltage
12 #	5304480635	Rectifier Assembly, high voltage
13 #	5304472253	Magnetron
14 #	5304498736	Motor, turntable
15 #	5304470541	Transformer, low voltage
16 #	5304461125	Sensor Assembly, AH
17 #	5304483929	Thermistor
18 #	5304485889	Motor, damper
19 #	5304483930	Convection Fan Assembly
20	5304470542	Cabinet, outer casing
21	5304470734	Base, chassis, w/motor cover
22	5304461127	Foot, cabinet, (4)
23	5304498738	Panel, cabinet back
24	5304498739	Holder, capacitor
25	5304480638	Hinge, oven, LH
26	5304480639	Hinge, oven, RH
27	5304470547	Latch Hook, right side
28	5304470548	Latch Hook, left side
29	5304480640	Cam, door, LH
30	5304480641	Cam, door, RH
32	5304470552	Cover, front
33	5304470553	Duct, B
34	5304470554	Duct, C
41	5304461208	Screw, 3mm x 14mm
43	5304498730	Support, turntable
44	5304498731	Tray, turntable, ceramic
45	5304461155	Frame, light lens
46	5304470564	Bracket, mounting, transformer
47	5304461157	Cushion
48	5304461158	Duct Assembly, steam release
49	5304480644	Coupling, turntable
50	5304461165	Cover, waveguide
51	5304461167	Lens, light
52 #	5304461173	Blade, fan
53	5304461174	Duct, cooling fan
54	5304461175	Support, chassis
55	5304461178	Bracket, noise filter, angle
56	5304461156	Cushion
57	5304461181	Guide, air, magnetron
58	5304461182	Sheet, thermal, protection
59	5304461183	Cover, thermal sheet, panel

**OVEN, CABINET**



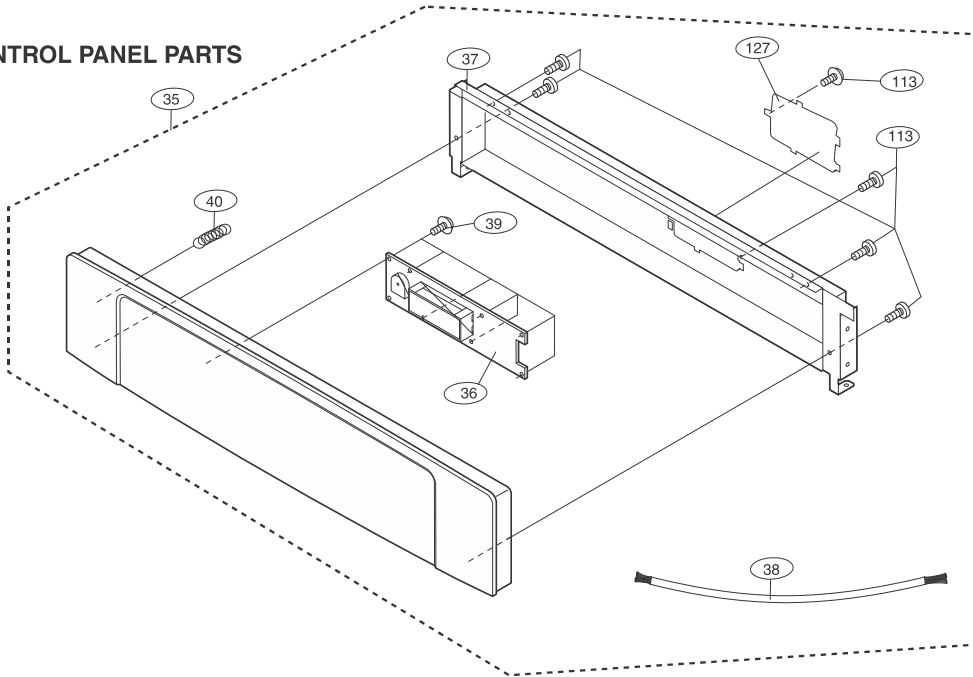
EW30SO60QSA-Cabinet

**OVEN,CABINET**

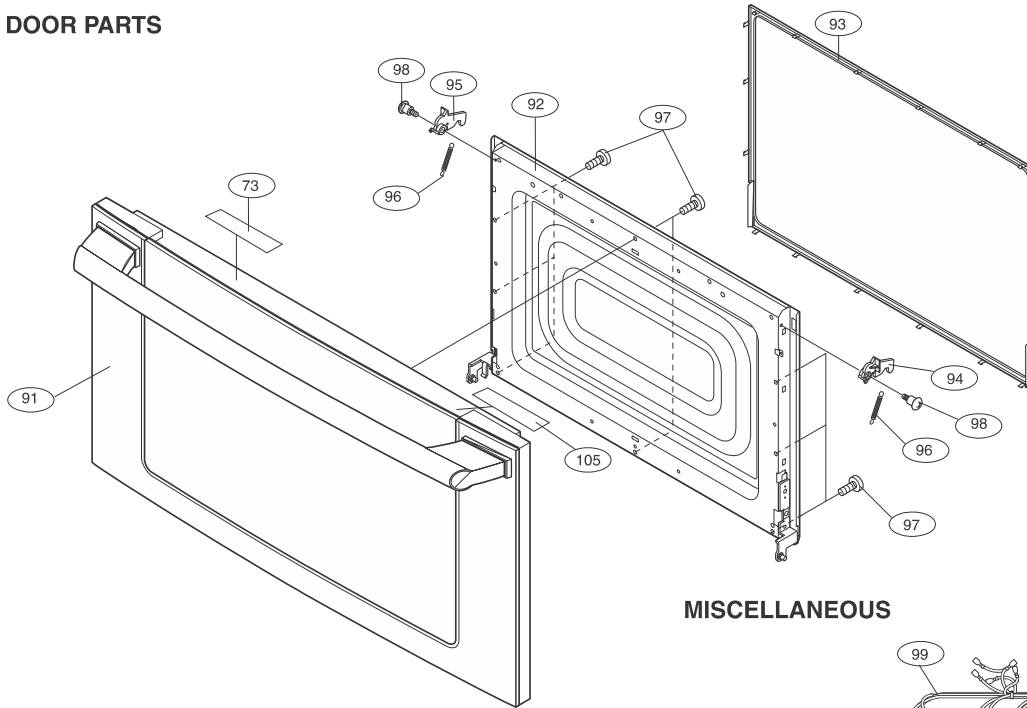
POS. NO	PART NO.	DESCRIPTION
60 #	5304461196	Wiring Harness, thermistor
61	5304470565	Trim, left side
62	5304470566	Trim, right side
63	5304470569	Duct, exhaust
64	5304470570	Angle, bottom
65	5304475717	Louver, inlet, 30 inch
66	5304470572	Angle, shipping
67	5304451459	Bracket, turntable mount
68	5304480645	Spring, door, RH
69	5304480646	Spring, door, LH
70	5304470576	Insulator, thermal barrier
72 #	5304451403	Thermal Cutout, top heater
74 #	5304485892	Power Board, printed circuit
75	5304470735	Holder, power board
76	5304470594	Trim, decorative, right side
77	5304470593	Trim, decorative, left side
78	5304480655	Cushion
79	5304451470	Packing, silicon
80	5304461159	Cam, damper
81	5304461160	Shaft, damper
82	5304461161	Door Assembly, damper
83	5304461162	Duct, damper
84	5304461163	Cushion
87	5304480654	Guide, air, RH
88	5304470592	Lever, switch actuator, right
89	5304470591	Lever, switch actuator, left
90	5304461179	Cushion, damper duct
102	5304440334	Label, Caution-monitor
103	5304465314	Label, NHW caution
106	5304470585	Label, height caution
107	5304440333	Label, Caution-DHHS
109	5304498744	Label, menu
110	5303319636	Screw, (5)
111	5304451550	Screw, 4 mm x 8 mm
112	5304451552	Screw, 4 mm x 8 mm, silver
113	5304451553	Screw, 4 mm x 12 mm
114	5304461203	Screw, 4mm x 10mm, (6)
115	5303319641	Screw, (2)
116	5304461209	Screw, 4mm x 25mm, (2)
117	5304470587	Screw
118	5304461215	Screw, 4mm x 8mm, (2)
119	5304470588	Screw
120	5304461221	Screw, 6mm x 14mm, (4)
121	5304470589	Screw
122	5304470590	Nut, special
123	5304450253	Screw, 4 mm x 8 mm
124	5304461210	Screw, 4mm x 6mm, (3)
125	5304461216	Screw, 3mm x 6mm
126	5304461204	Screw, 4mm x 8mm, (2)
128#	5304471782	Motor, convection fan
129#	5304461177	Belt, convection fan
130	5304451562	Bracket, oven retainer, anti-tip
131	5304482055	Cushion, side
132	5304483939	Dummy Fuse
163	5304451563	Anti-tip Kit, w/brackets, tools, screws
311	318246000	Bracket, cabinet, anti-tip
311*	5303211311	Screw, 8-18 x 0.500
311*	5304438005	Screw, 6 x 1, black
312	318246702	Tool, oven release, RH key
312	318246703	Tool, oven release, LH key

**CONTROL PANEL, DOOR, MISC.**

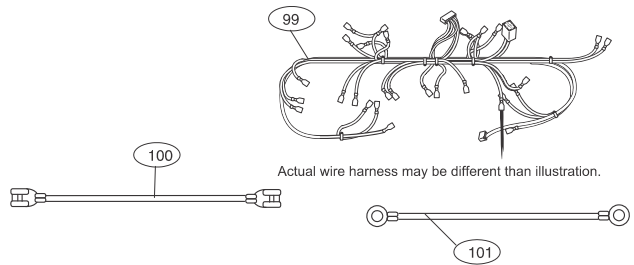
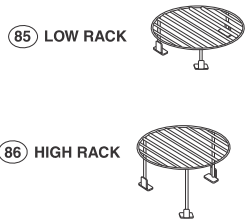
**CONTROL PANEL PARTS**



**DOOR PARTS**



**MISCELLANEOUS**



EW30SO60QSA-Controls

**CONTROL PANEL,DOOR,MISC.**

---

POS. NO	PART NO.	DESCRIPTION
35 #	5304498740	Touch Control Assy, key pad
36 #	5304470557	Display Board, CPU
37	5304470558	Bracket, control mount
38 #	5304470561	Wiring Harness, power supply
39	5304458568	Screw, 3 mm x 10 mm
40	5304470560	Spring, grounding
73	5304440346	Label, User Caution, French
85	5304498741	Rack Assembly, broiling trivit, low
86	5304498742	Rack Assembly, baking, high
91	5304498743	Frame, outer door, with handle
92	5304471512	Panel, inner door
93	5304470579	Frame, inner door, choke cover
94	5304491054	Latch Head, right side
95	5304490142	Latch Head, left side
96	5304484903	Spring, latch head
97	5304451561	Screw, 4 mm x 8 mm
98	5304470583	Screw
99 #	5304480652	Harness, wiring, main
100#	5304440331	Wire, high voltage-A
101#	5304461199	Wire, ground, cooling fan
105	5304451534	Label, User Caution, French
113	5304451553	Screw, 4 mm x 12 mm
127	5304498746	Plate, control panel, rear cover

WIRING DIAGRAM

SCHEMATIC DIAGRAM

**SCHEMATIC**  
 NOTE: CONDITION OF OVEN  
 1. DOOR CLOSED.  
 2. CLOCK APPEARS ON DISPLAY.

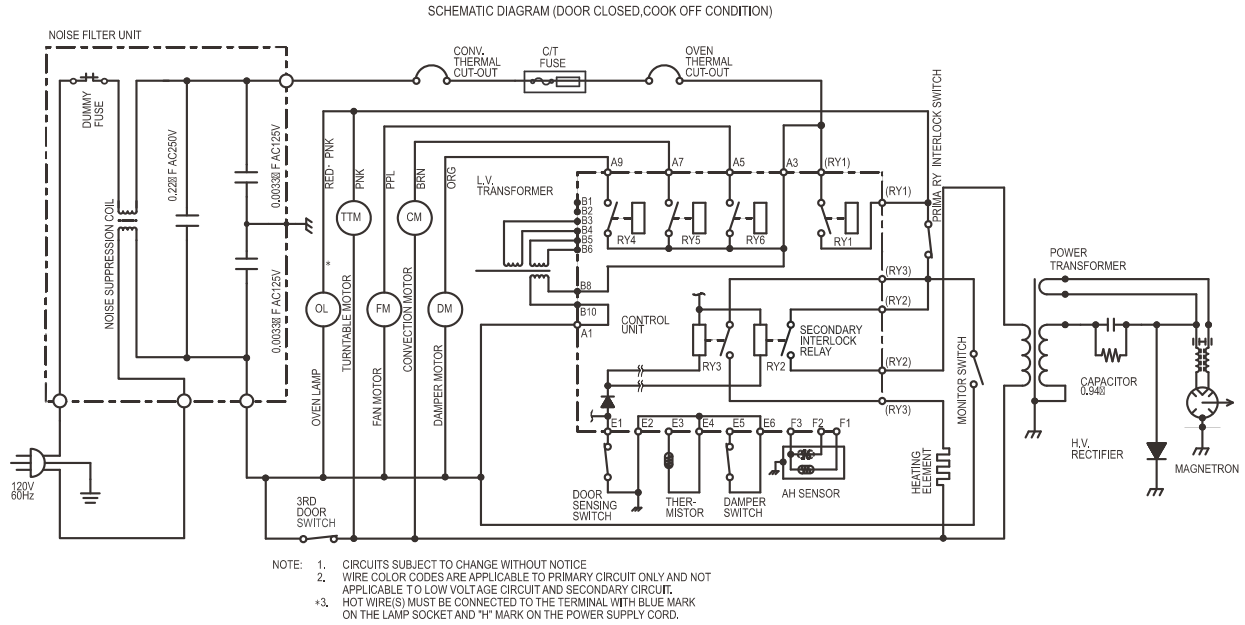


Figure O-1. Oven Schematic-OFF Condition

**SCHEMATIC**  
 NOTE: CONDITION OF OVEN  
 1. DOOR CLOSED.  
 2. COOKING TIME PROGRAMMED.  
 3. "START" PAD TOUCHED.

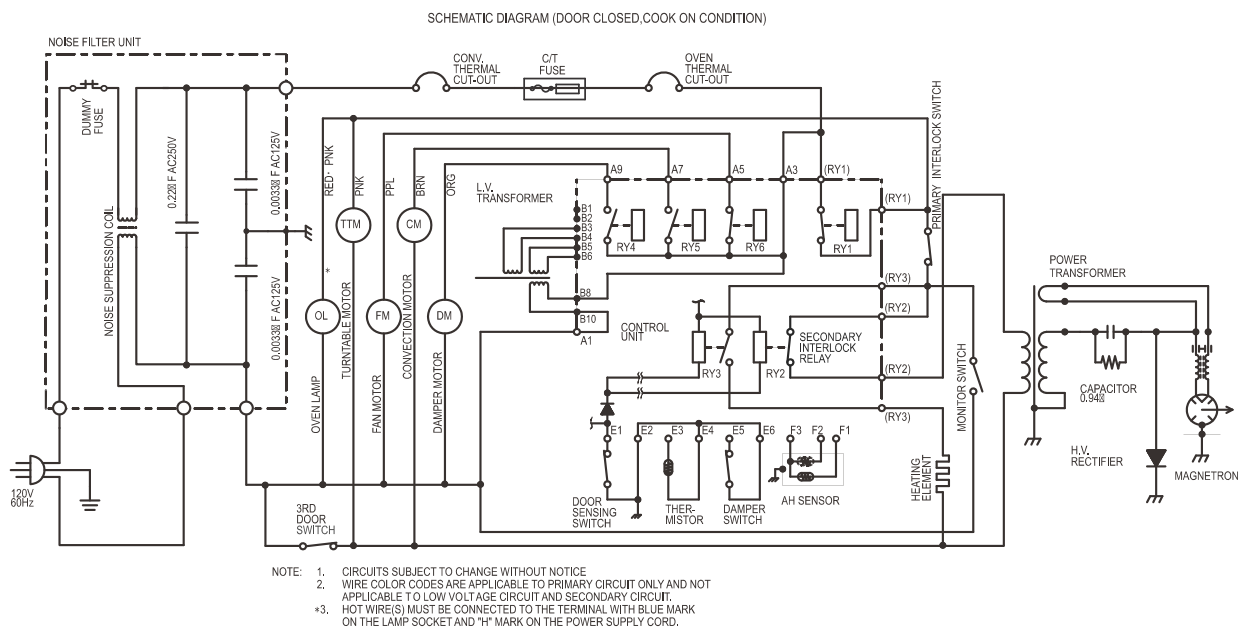


Figure O-2. Oven Schematic-Microwave Cooking Condition