



Frigidaire

Factory Parts Catalog

Product No.	CGLMV169HBA	CGLMV169HSA
Market	Canada	Canada
Color	black	white
Volts	117	117
Watts	1000	1000
Wiring Diagram	5995572426	5995572426
Owner's Guide	TINSEB150WRRZ	TINSEB150WRRZ
Installation Instructions	TINSEB151WRRZ	TINSEB151WRRZ

Frigidaire

5855 TERRY FOX WAY
 MISSISSAUGA, ONTARIO, CANADA L5V 3E4

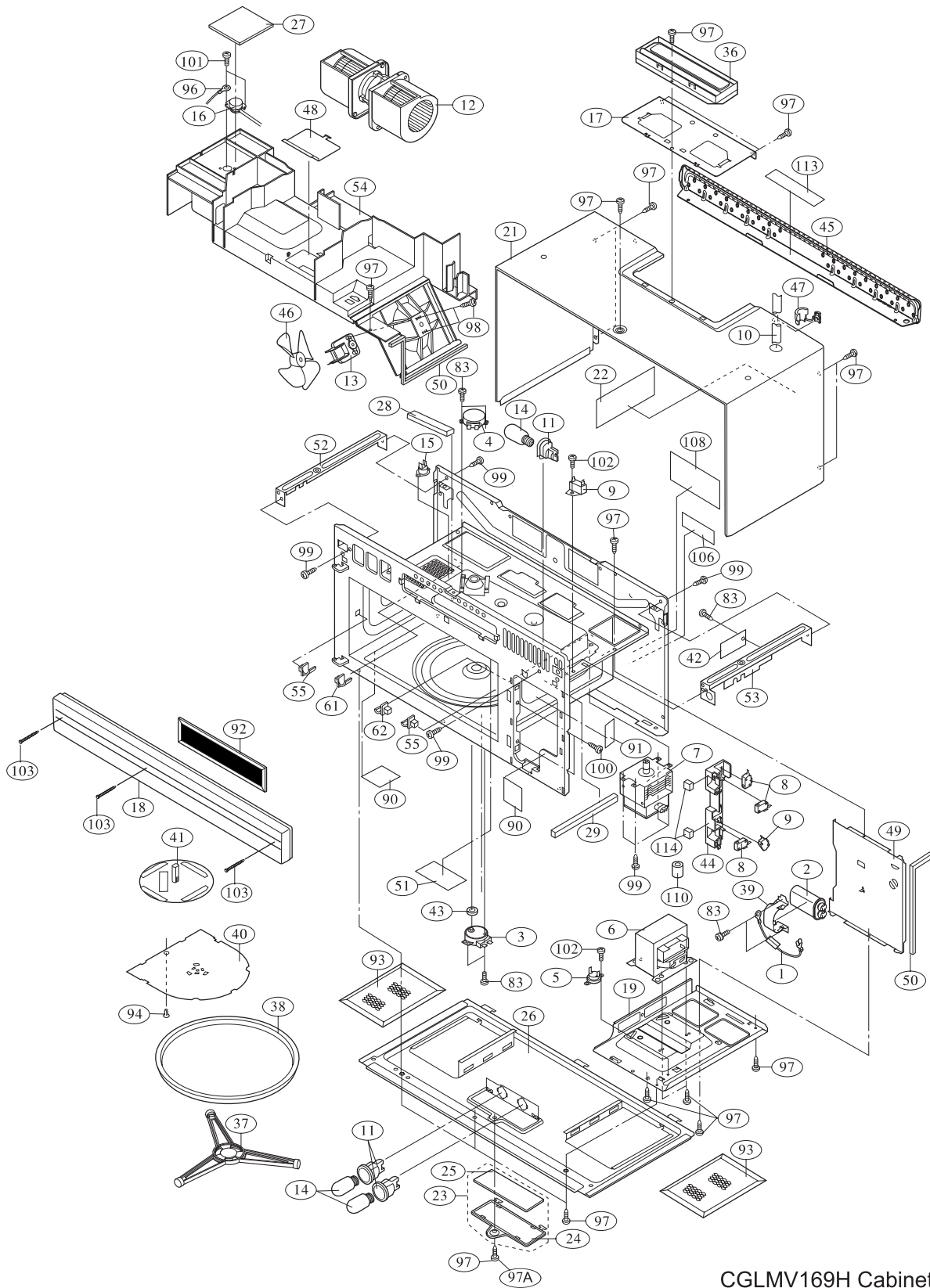
This Catalog replaces 5995518742

Publication No.
5995572426
 10/08/20
 (EN/SERVICE/KC)
 099

**OVER-RANGE
 MICROWAVE**

Model No.
CGLMV169H

OVEN, CABINET



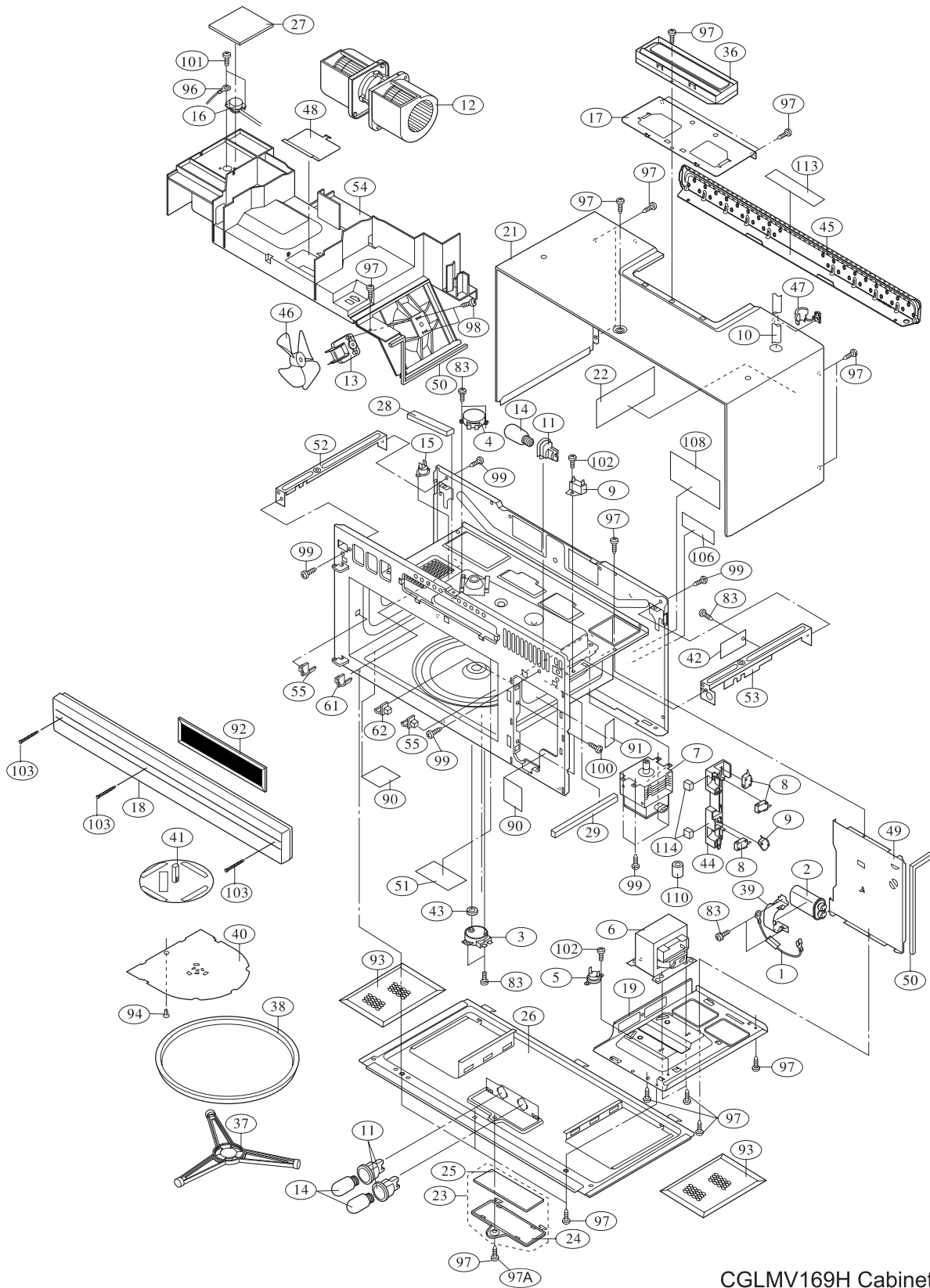
CGLMV169H Cabinet

OVEN,CABINET

Model Index: A CGLMV169H (CGLMV169HBA)
B CGLMV169H (CGLMV169HSA)

POS. NO	PART NO.		DESCRIPTION
1 #	5304467670	A B	Rectifier, high voltage
2 #	5304468223	A B	Capacitor
3 #	5304448488	A B	Motor, turntable
4 #	5304448489	A B	Motor, stirrer fan
5 #	5304440023	A B	Thermal Cutout, hood
6 #	5304468156	A B	Transformer, power
7 #	5304463439	A B	Magnetron
8 #	5304440026	A B	Switch, interlock, door sensor
9 #	5304468224	A B	Switch, monitor, w/ceramic fuse
10 #	5304440028	A B	Power Cord, electric
11 #	5304461117	A B	Socket, oven lamp
12 #	5304440029	A B	Motor, hood fan
13 #	5304448490	A B	Motor, cooling fan
14	5304440031	A B	Lamp, incandescent, 20 W, (3)
15 #	5304440032	A B	Thermal Cutout, oven cavity
16 #	5304440033	A B	Sensor, humidity, cook control
17	5304468162	A B	Plate, rear stay
18	5304468158	A -	Grille, exhaust, black
18	5304468157	- B	Grille, exhaust, white
19	5304468161	A B	Plate, base, right
21	5304468164	A -	Cabinet, outer casing, black
21	5304468163	- B	Cabinet, outer casing, white
22	5304468225	A B	Wiring Diagram, schematic, label
23	5303319573	A -	Lens/Frame Assy, lamp, black
23	5304458209	- B	Lens/Frame Assy, lamp, white
24	5303319574	A -	Frame, lens holder, black
24	5304458210	- B	Frame, lens holder, white
25	5303319575	A B	Lens, cooktop lamp, glass
26	5304468168	A -	Cover, unit base, black
26	5304468167	- B	Cover, unit base, white
27	5304468170	A B	Cushion, hood duct
28	5304468173	A B	Cushion, top panel, rubber
29	5304451500	A B	Cushion, magnetron
36	5304464343	A B	Damper Assembly, exhaust
37	5304467717	A B	Support Assy, turntable, roller
38	5304440285	A B	Tray, turntable, glass
39	5304468174	A B	Retainer, capacitor strap
40	5304468175	A B	Cover, stirrer fan
41 #	5304468176	A B	Stirrer Assembly
42 #	5303322968	A B	Filter, noise, electronic
43	5304467718	A B	Bushing, motor shaft, turntable
44	5304440289	A B	Latch Hook
45	5304468135	A B	Bracket, mounting plate, rear
46 #	5304468177	A B	Fan Blade, mag cooling fan
47	5304467721	A B	Bushing, grommet, power cord
48	5304468178	A B	Cover, oven lamp
49	5304468179	A B	Duct, hood intake, right side
50	5304468180	A B	Cushion, intake duct, seal
51	5304467727	A B	Lens, lamp filter

OVEN, CABINET



CGLMV169H Cabinet

OVEN,CABINET

Model Index: A CGLMV169H (CGLMV169HBA)
B CGLMV169H (CGLMV169HSA)

POS. NO	PART NO.		DESCRIPTION
52	5304468181	A B	Support, chassis, left side
53	5304468182	A B	Support, chassis, right side
54	5304468183	A B	Duct, exhaust hood
55	5304467733	A B	Support, rack, front
61	5304467762	A B	Support, rack, left rear
62	5304467763	A B	Support, rack, right rear
83	5304451550	A B	Screw, 4 mm x 8 mm
90	5304468226	A B	Label, Caution-DHHS
91	5304468227	A B	Label, Caution-monitor
92	5304440335	A B	Filter, inside exhaust, charcoal
93	5303319568	A B	Filter, grease, (2)
94	5304467773	A B	Clip, canoe type, stirrer cover
96 #	5304467828	A B	Wire, ground
97	5304451552	A B	Screw, 4 mm x 8 mm, silver
97A	5304467777	A -	Screw, 4 mm x 8 mm, black
98	5304462315	A B	Screw, 4 mm x 12 mm, ground
99	5304467780	A B	Screw, 4 mm x 8 mm, Tap Tight
100	5303319641	A B	Screw
101	5304467778	A B	Screw, 3 mm x 8 mm
102	5304467781	A B	Screw, 3 mm x 6 mm
103	5304468189	A -	Screw, black
103	5304468188	- B	Screw, white
106	5304468229	A B	Label, Ground-Caution
108	5304468230	A B	Label, HWC Caution
110	5304468222	A B	Clamp, ferrite
113	5304468231	A B	Label, installation, caution
114	5304467769	A B	Cushion, latch hook, pad

CONTROL PANEL,DOOR,MISC.

Model Index: A CGLMV169H (CGLMV169HBA)
B CGLMV169H (CGLMV169HSA)

POS. NO	PART NO.		DESCRIPTION
30 #	5304468192	A B	Control Board, printed circuit
31 #	5304461358	A -	Frame, control panel, black
31 #	5304468193	- B	Control Panel Assy, white
31A#	5304461362	A -	Touch Control, key pad, black
31A#	5304461364	- B	Touch Control, key pad, white
31B	5304468197	A -	Frame, control panel, black
31B	5304468196	- B	Frame, control panel, white
31C	5304468195	A B	Panel, control mount
31D	5304456930	A B	Screw, 3 mm x 10 mm
35	5304467710	A B	Screw, 3 mm x 8 mm
56	5304468199	A B	Door Stop
63 #	5304473671	A -	Door Assy, black, w/handle
63 #	5304468200	- B	Door Assy, white, w/handle
65	5304468203	A -	Frame Assembly, door, black
65	5304468202	- B	Frame Assembly, door, white
67	5304440314	A B	Latch, door
69	5304440316	A B	Spring, door latch
71	5304440320	A B	Frame, choke cover, inner door
72	5304468205	A B	Seal, door, film
73	5304468207	A -	Handle, door, black
73	5304468206	- B	Handle, door, white
74	5304451517	A B	Screw, 4 mm x 8 mm
75	5304468209	A B	Screw, 4 mm x 30 mm
76	5304467765	A B	Hardware Kit, installation
77	5303318761	A B	Sleeve, power cord, grommet
78	5303318762	A B	Screw, toggle
79	5304453895	A B	Screw, 5mm x 85mm
80	5304451552	A B	Screw, 4 mm x 8 mm, silver
81	5304453723	A B	Screw, 5mm x 35mm
82	5304453724	A B	Washer
86	5304468216	A B	Template, installation, top
87	5304468217	A B	Template, installation, wall
89 #	5304468228	A B	Wiring Harness, main
95	5304440338	A B	Rack, microwave oven, wire
109	5304468232	A B	Label, User Caution

WIRING DIAGRAM

1. Off Condition

SCHEMATIC	
NOTE: CONDITION OF OVEN	
1. DOOR CLOSED	
2. CLOCK APPEARS ON DISPLAY	

NOTE: "★" indicates components with potentials above 250V

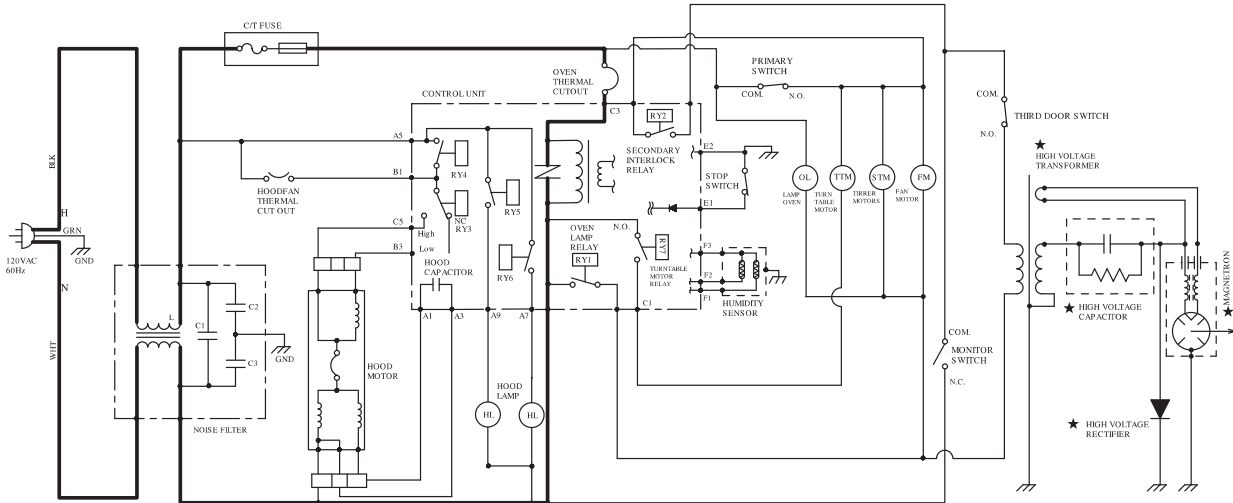


Figure O-1. Oven Schematic-Off Condition

2. Cooking Condition

SCHEMATIC	
NOTE: CONDITION OF OVEN	
1. DOOR CLOSED.	
2. COOKING TIME PROGRAMMED.	
3. VARIABLE COOKING CONTROL "P-HI".	
4. START PAD TOUCHED.	

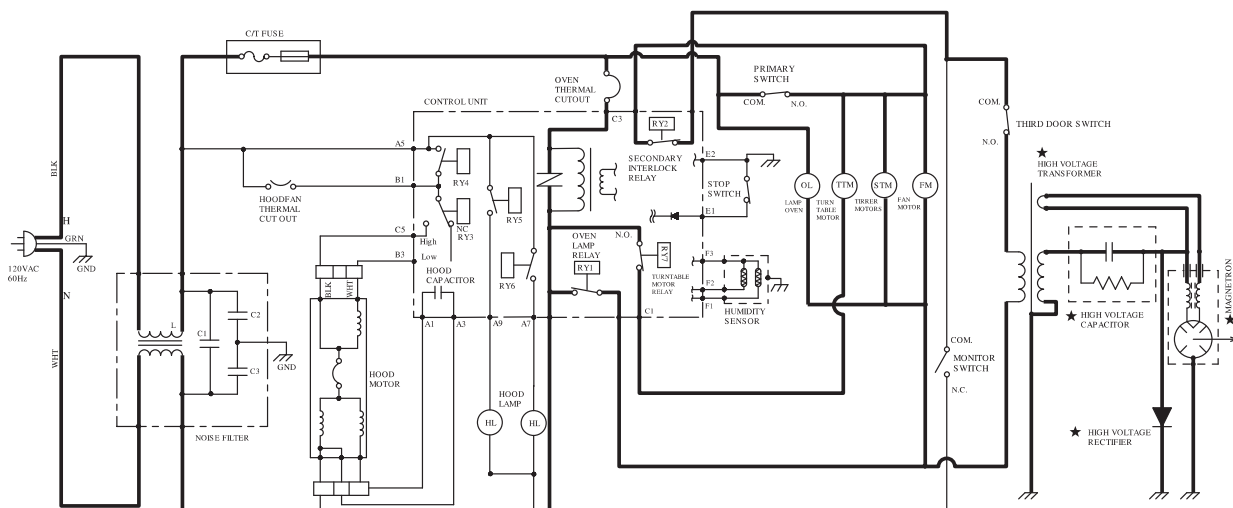


Figure O-2. Oven Schematic-Cooking Condition

CGLMV169H Wiring