

BUILT-IN MICROWAVE OVEN INSTALLATION INSTRUCTIONS

24" (61.0 cm), 27" (68.6 cm), 30" (76.2 cm)

This product is suitable for use above electric or gas built-in ovens, and below non-vented electric or gas cooktops. This product is not suitable for use below downdraft cooktops.

These installation instructions cover different models. The appearance of your particular model may differ slightly from the illustrations in these Installation Instructions.

Table of Contents

MICROWAVE OVEN SAFETY	1
INSTALLATION REQUIREMENTS	2
Tools and Parts	2
Location Requirements	2
Minimum Dimensions	3
Product Dimensions	4
Electrical Requirements	5
INSTALLATION INSTRUCTIONS	6
Install the Microwave Oven 24" (61.0 cm) Installation Only	6
Install the Microwave Oven 27" (68.6 cm) or 30" (76.2 cm) Installation Only	7
Complete Installation	8
ASSISTANCE	8

MICROWAVE OVEN SAFETY

Your safety and the safety of others are very important.

We have provided many important safety messages in this manual and on your appliance. Always read and obey all safety messages.



This is the safety alert symbol.

This symbol alerts you to potential hazards that can kill or hurt you and others.

All safety messages will follow the safety alert symbol and either the word "DANGER" or "WARNING."

These words mean:

⚠ DANGER

You can be killed or seriously injured if you don't immediately follow instructions.

⚠ WARNING

You can be killed or seriously injured if you don't follow instructions.

All safety messages will tell you what the potential hazard is, tell you how to reduce the chance of injury, and tell you what can happen if the instructions are not followed.

IMPORTANT: Read Installation Instructions thoroughly before beginning installation. Save Installation Instructions for local electrical inspector's use.

INSTALLATION REQUIREMENTS

Tools and Parts

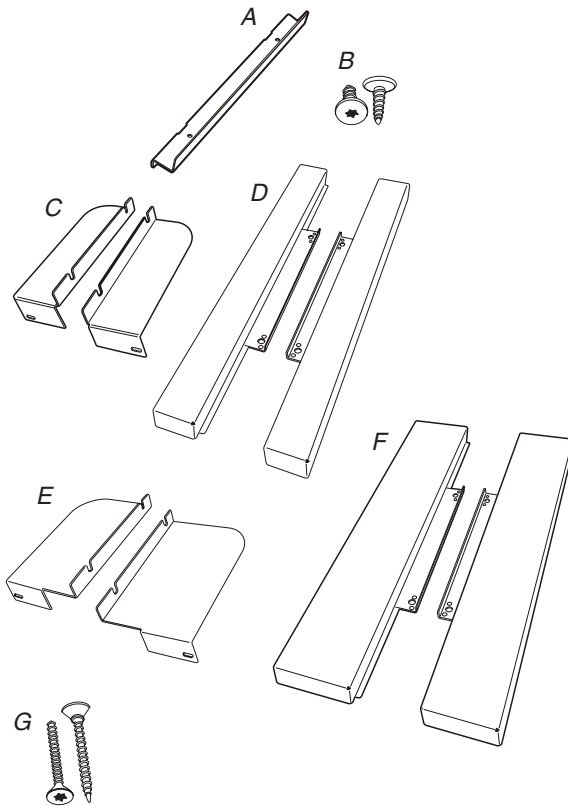
Tools Needed

Gather the required tools and parts before starting installation. Read and follow the instructions provided with any tools listed here.

- Measuring tape
- Pencil
- Torx T-10 screwdriver
- Electric drill
- 5/64" (2 mm) drill bit

Parts Supplied

All of the following parts are provided, but not all parts will be used. The cutout opening size will determine which parts you will use. See chart below parts list to see which parts are used for each installation.



- A. Z-brackets (2)
- B. 1/2" T-10 screws (6)
- C. Narrow side brackets, marked LEFT 27" and RIGHT 27" (2)
- D. Narrow side trim panels (2)
- E. Wide side brackets, marked LEFT 30" and RIGHT 30" (2)
- F. Wide side trim panels (2)
- G. 1" T-10 screws (4)

Location Requirements

The microwave oven may be located in a cabinet, and/or above a built-in oven, or below the counter and/or below a non-vented cooktop. Check the opening where the microwave oven will be installed. The location must provide:

- Wood cabinetry.
- Cutout opening that is plumb and square. For proper installation, the bottom corners must be cut at right angles. See "Minimum Cutout Dimensions" section.
- Cutout floor that is solid, level and flush with bottom of cabinet cutout.
- Support for weight of at least 150 lbs (68 kg), which includes microwave oven and items placed inside.
- Grounded electrical outlet. See "Electrical Requirements" section.
- Minimum installation clearances for installation location. See "Minimum Dimensions" section.

We recommend:

- Complete enclosure around the recessed portion of the microwave oven.

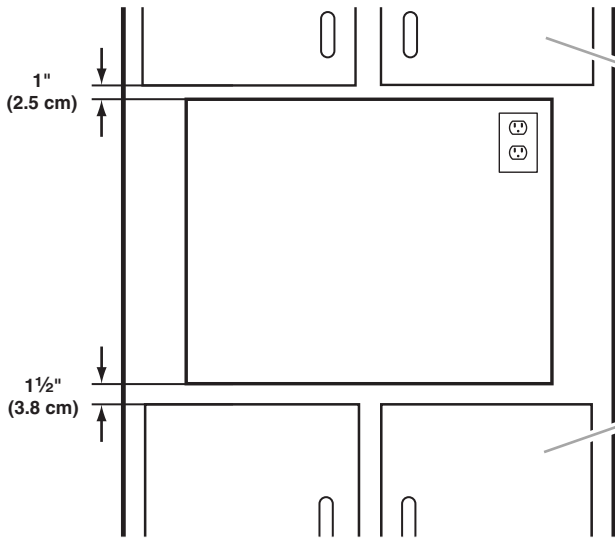
INSTALLATION	PARTS USED
24" (61.0 cm) installation	G
27" (68.6 cm) installation	A, B, C, D, G
30" (76.2 cm) installation	A, B, E, F, G

Minimum Dimensions

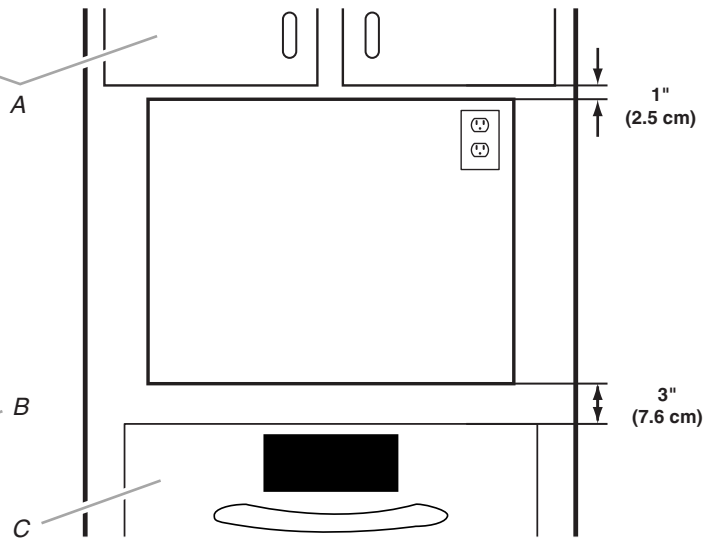
Minimum Installation Clearances

For proper installation, the following minimum clearances must exist above and below the cutout opening.

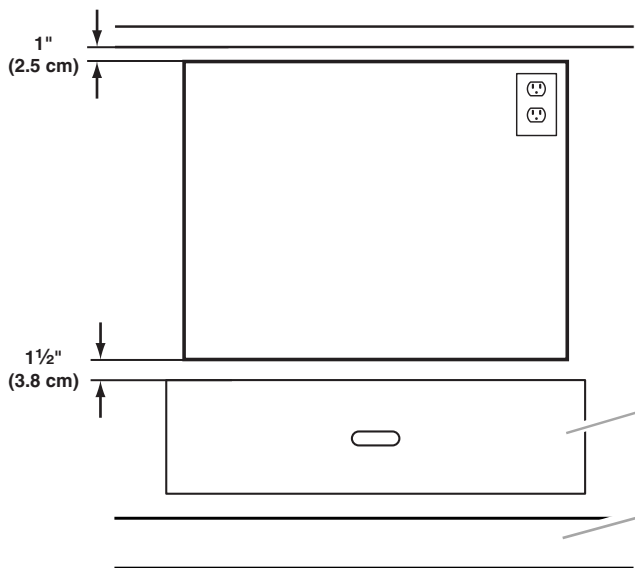
Above Cabinet/Storage Drawer Installation



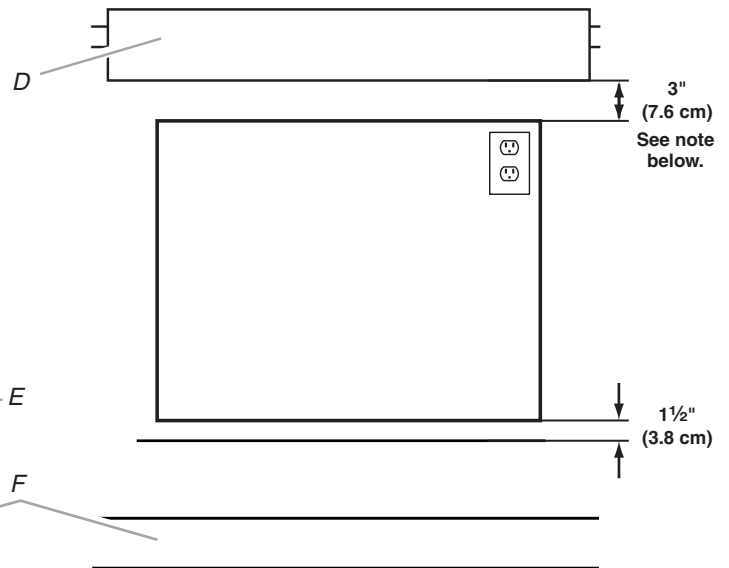
Above Oven/Warming Drawer Installation



Below Counter Installation



Below Built-in Cooktop Installation



- A. Upper cabinet
- B. Lower cabinet or storage drawer
- C. Lower oven or warming drawer

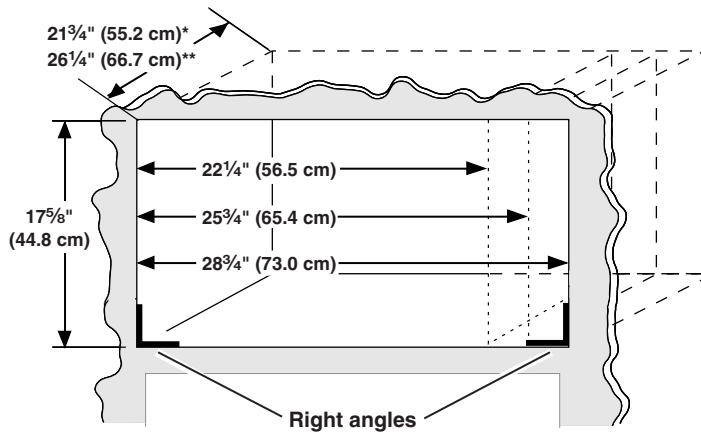
- D. Built-in cooktop (non-vented)
- E. Storage drawer
- F. Toe kick

NOTE: The bottom of the cooktop may be sunk into the counter and lower cabinet. The minimum 3" (7.6 cm) clearance must exist below the lowest point of the cooktop, and there must be no interference between any part of the cooktop (including any gas fittings) and the microwave oven.

Minimum Cutout Dimensions

NOTES:

- Depth dimension may be 21 $\frac{3}{4}$ " (55.2 cm) with non-flush receptacle only if the receptacle is located in upper right or upper left corner. See "Cutout Top View."
- Lower front corners of cutout must be right angles.

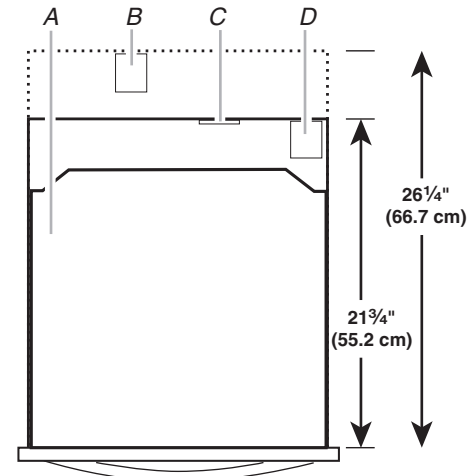


*With flush receptacle, or with non-flush receptacle located in upper right or upper left corner of cutout.

**With non-flush receptacle.

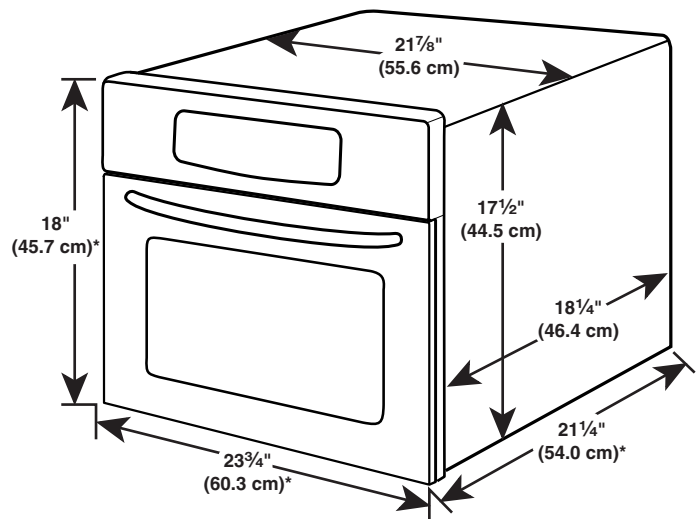
DIM.	24" (61.0 CM) INSTALLATION	27" (68.6 CM) INSTALLATION	30" (76.2 CM) INSTALLATION
Width	22 $\frac{1}{4}$ " (56.5 cm) ± 3/16" (4.8 mm)	25 $\frac{3}{4}$ " (65.4 cm) ± 3/16" (4.8 mm)	28 $\frac{3}{4}$ " (73.0 cm) ± 3/16" (4.8 mm)
Height	17 $\frac{5}{8}$ " (44.8 cm) for all installations		
Depth	21 $\frac{3}{4}$ " (55.2 cm) with flush receptacle, or with non-flush receptacle located in far corner; 26 $\frac{1}{4}$ " (66.7 cm) with non-flush receptacle		

Cutout Top View



- A. Microwave oven
- B. Non-flush receptacle
- C. Flush receptacle
- D. Non-flush receptacle located in upper right or upper left corner

Product Dimensions



*Measurements include front facing of microwave oven. Depth measurement also includes door handle.

Electrical Requirements

⚠ WARNING



Electrical Shock Hazard

Plug into a grounded 3 prong outlet.

Do not remove ground prong.

Do not use an adapter.

Do not use an extension cord.

Failure to follow these instructions can result in death, fire, or electrical shock.

Observe all governing codes and ordinances. A 120 Volt, 60 Hz, AC only, 15- or 20-amp fused electrical supply (or circuit breaker) is required. (A time-delay fuse or circuit breaker is recommended.) It is recommended that a separate circuit serving only this appliance be provided.

GROUNDING INSTRUCTIONS

■ **For all cord connected appliances:**

The microwave oven must be grounded. In the event of an electrical short circuit, grounding reduces the risk of electric shock by providing an escape wire for the electric current. The microwave oven is equipped with a cord having a grounding wire with a grounding plug. The plug must be plugged into an outlet that is properly installed and grounded.

WARNING: Improper use of the grounding plug can result in a risk of electric shock. Consult a qualified electrician or serviceman if the grounding instructions are not completely understood, or if doubt exists as to whether the microwave oven is properly grounded.

Do not use an extension cord. If the power supply cord is too short, have a qualified electrician or serviceman install an outlet near the microwave oven.

SAVE THESE INSTRUCTIONS

INSTALLATION INSTRUCTIONS

Install the Microwave Oven 24" (61.0 cm) Installation Only

! WARNING

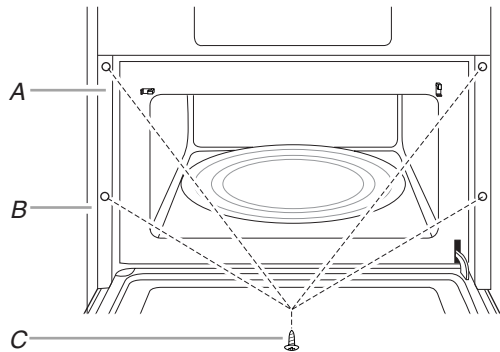
Excessive Weight Hazard

Use two or more people to move and install microwave oven.

Failure to do so can result in back or other injury.

NOTE: For this microwave oven, the door handle may be used for lifting. Do not use any other portion of the control panel, side brackets, front frame or trim for lifting.

1. Empty microwave oven of any loose items.
2. Using 2 or more people, slide the microwave oven all the way into the opening.
3. The microwave oven should be centered in the opening. Open the microwave oven door.



A. Microwave oven door facing frame
B. Cabinet
C. 1" T-10 screws (4)

4. Mark 4 holes (2 on each side) in the door facing frame of the microwave oven.
5. To prevent damage to the frame while drilling during the next step, close the door and remove the microwave oven.
6. Drill the 4 holes using 5/64" (2 mm) drill.

! WARNING



Electrical Shock Hazard

Plug into a grounded 3 prong outlet.

Do not remove ground prong.

Do not use an adapter.

Do not use an extension cord.

Failure to follow these instructions can result in death, fire, or electrical shock.

7. With the microwave oven near the opening, plug the microwave oven into the grounded 3-prong outlet.
8. Replace microwave oven in cutout opening.
9. Open the microwave oven door. The holes in the door facing frame should align with the holes just drilled into the cabinet. Fasten the microwave oven door facing to the cabinet using four 1" T-10 screws.
10. Proceed to "Complete Installation" section.

Install the Microwave Oven

27" (68.6 cm) or 30" (76.2 cm) Installation Only

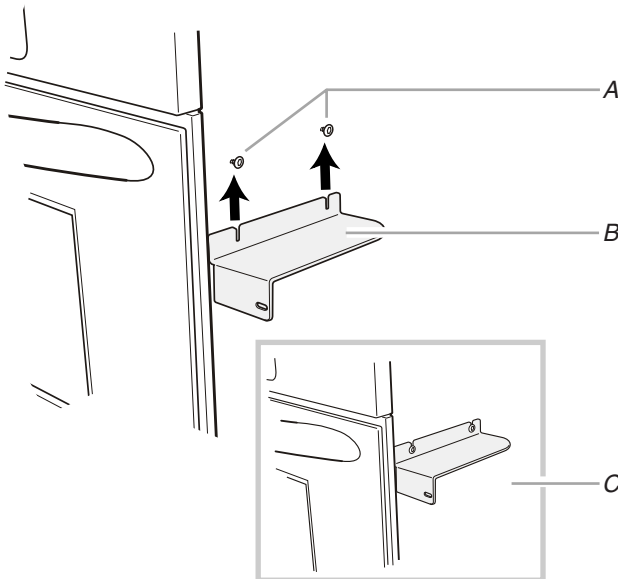
⚠ WARNING

Excessive Weight Hazard

Use two or more people to move and install microwave oven.

Failure to do so can result in back or other injury.

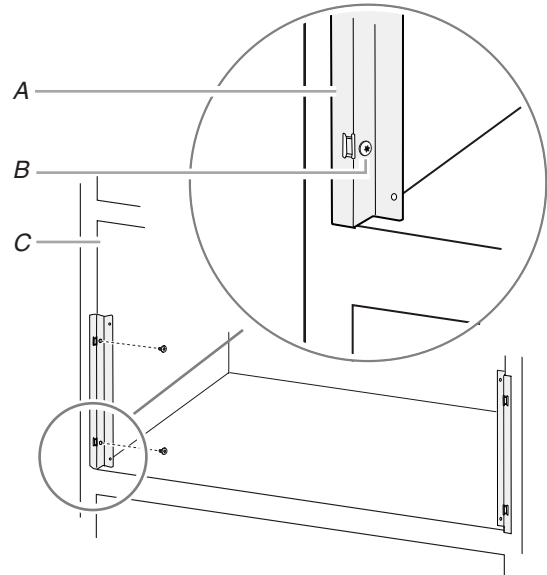
1. Empty microwave oven of any loose contents.
2. Loosen 2 existing screws on each side of microwave oven. The screws are located at the same height as the door handle, and they are the 2 screws closest to the front of the microwave oven on each side.



A. Existing screws
B. Right side bracket
C. Proper side bracket placement

3. Slide the left and right side brackets under the existing screw heads, as shown, and then tighten the screws. Use the narrow side brackets (LEFT or RIGHT 27") for 27" (68.6 cm) opening, or wide side brackets (LEFT or RIGHT 30") for 30" (76.2 cm) opening.
4. Hold Z-brackets against the outside edges of cutout opening with bottom ends of brackets resting on the cutout floor, as shown. Mark holes.

NOTE: The lower corners of the wood cabinet must be right angles for proper Z-bracket placement.



A. Z-brackets (2)
B. 1/2" T-10 screws (4)
C. Cutout opening

5. Drill holes into the inside edges of cutout opening using 5/64" (2 mm) drill bit.
6. Attach Z-brackets to side edges of cutout opening using four 1/2" T-10 screws.

⚠ WARNING



Electrical Shock Hazard

Plug into a grounded 3 prong outlet.

Do not remove ground prong.

Do not use an adapter.

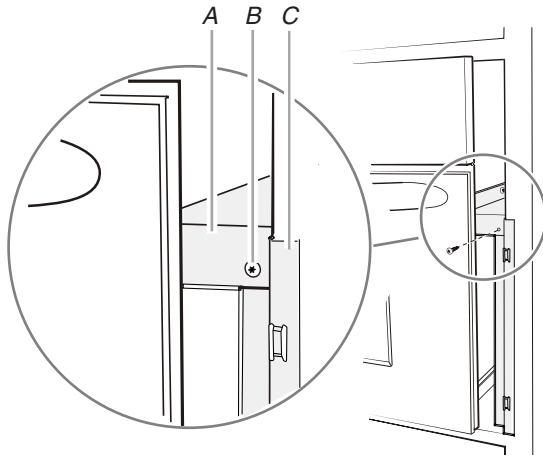
Do not use an extension cord.

Failure to follow these instructions can result in death, fire, or electrical shock.

7. With the microwave oven near the opening, plug the microwave oven into the grounded 3-prong outlet.
8. Using 2 or more people, slide microwave oven all the way into the opening.

NOTES:

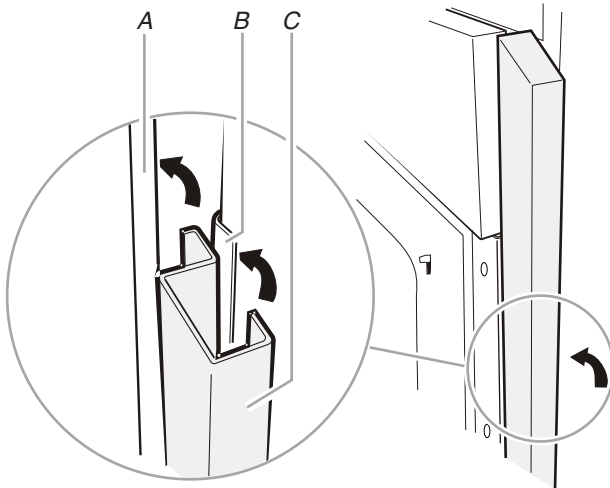
- The side bracket must slide over the top of the Z-bracket.
- The vertical flap of side bracket must rest against Z-bracket, with screw holes aligned, as shown.



A. Side bracket
B. 1/2" T-10 screw
C. Z-bracket

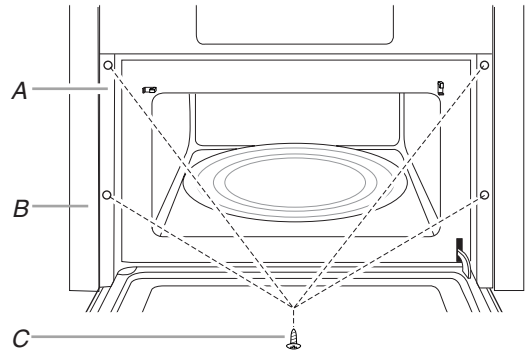
9. Fasten side brackets to Z-brackets using two 1/2" T-10 screws.
10. Open microwave oven door.
11. Position the tabular portion of the side trim panel behind the door facing frame, then firmly push the outside edge of the trim behind the Z-bracket, as shown.

Exploded View of Panel Placement



A. Door facing frame
B. Z-bracket
C. Side trim panel

12. Attach the side trim panel to the door facing frame using two 1" T-10 screws.



A. Door facing frame
B. Trim panel
C. 1" T-10 screws (4)

13. Repeat steps 11 and 12 on other side.

Complete Installation

1. Install the turntable in the microwave oven.
2. Check the operation of microwave oven by placing 1 cup (250 mL) of water on the turntable and programming cook time of 1 minute at 100% power.

Installation is now complete.

Save these Installation Instructions for future use.

ASSISTANCE

If the microwave oven does not operate:

- Check that a circuit breaker has not tripped, or a house fuse blown.
- Check that the power supply cord is plugged into a grounded 3-prong outlet.
- See the Use and Care Guide for troubleshooting information.

If you need assistance:

Call your authorized dealer or service center. When you call, you will need the microwave oven model number and serial number. Both numbers can be found on the model and serial number plate, which is located behind the microwave oven door on the front frame of the microwave oven.